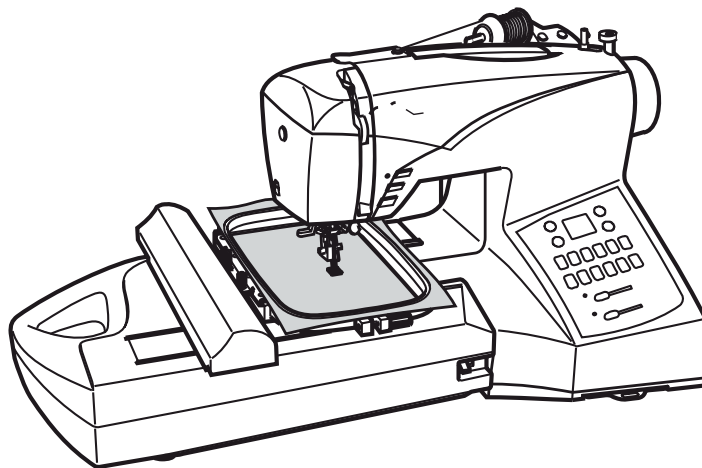




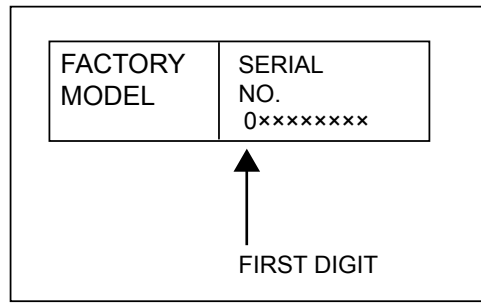
SINGER®

Quantum®
--futura™

CE-200E



Liste de pièces
Lista de Piezas
Parts List

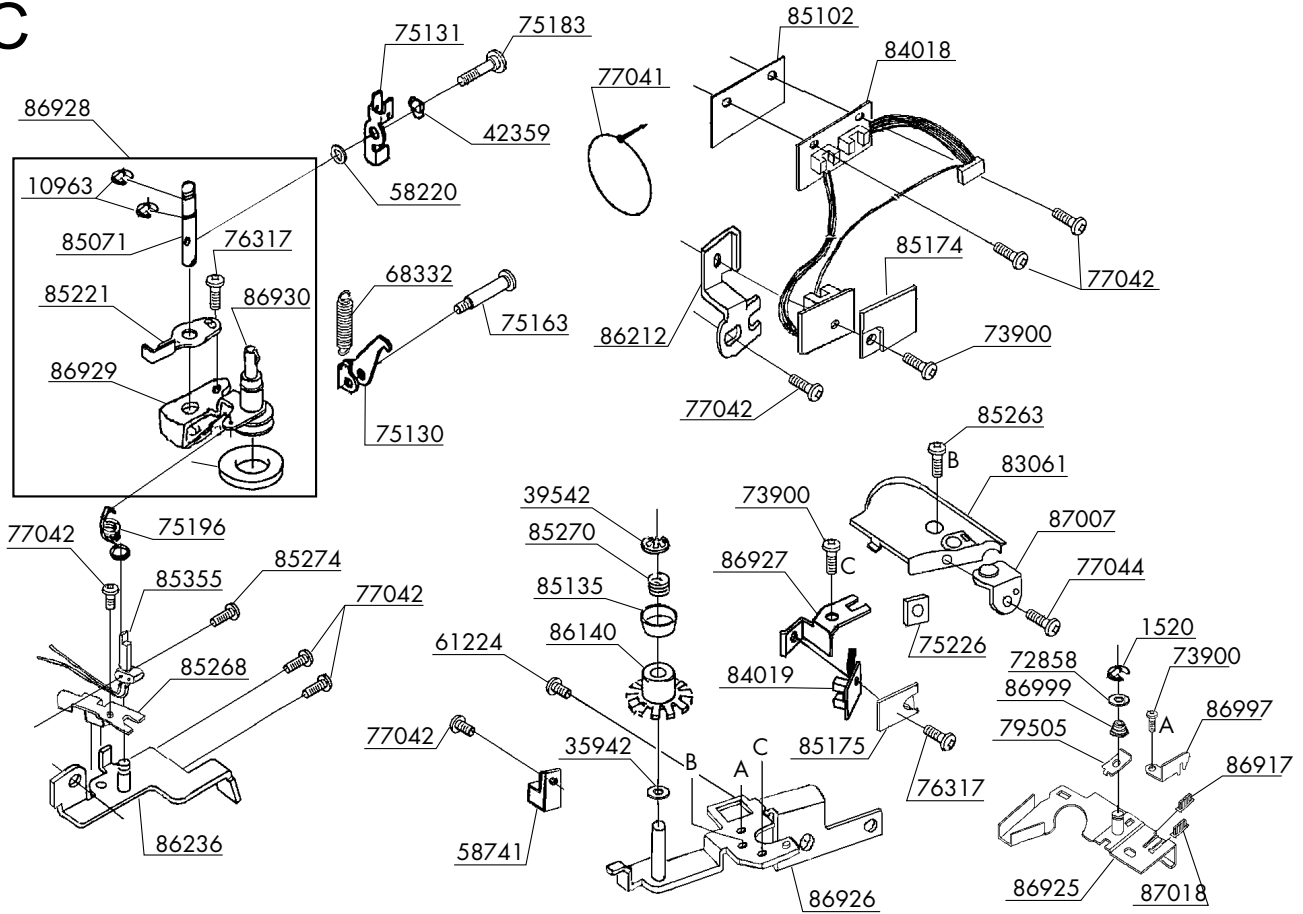
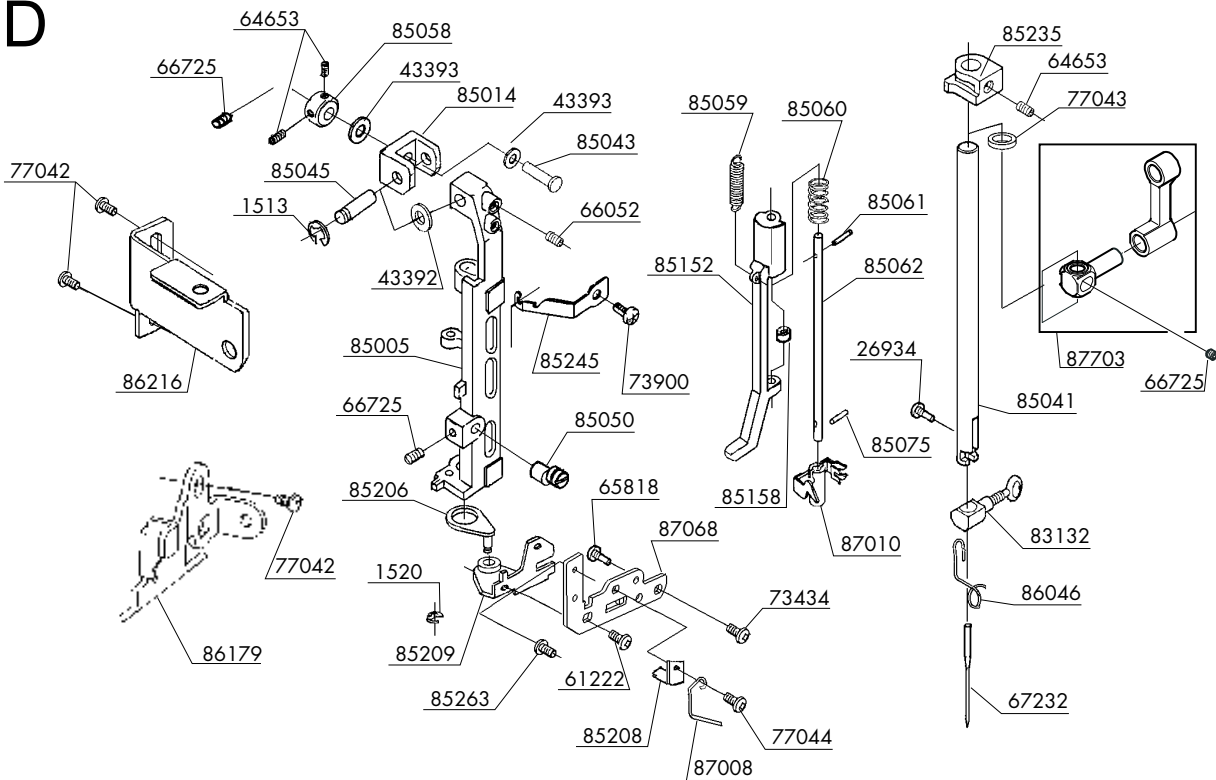


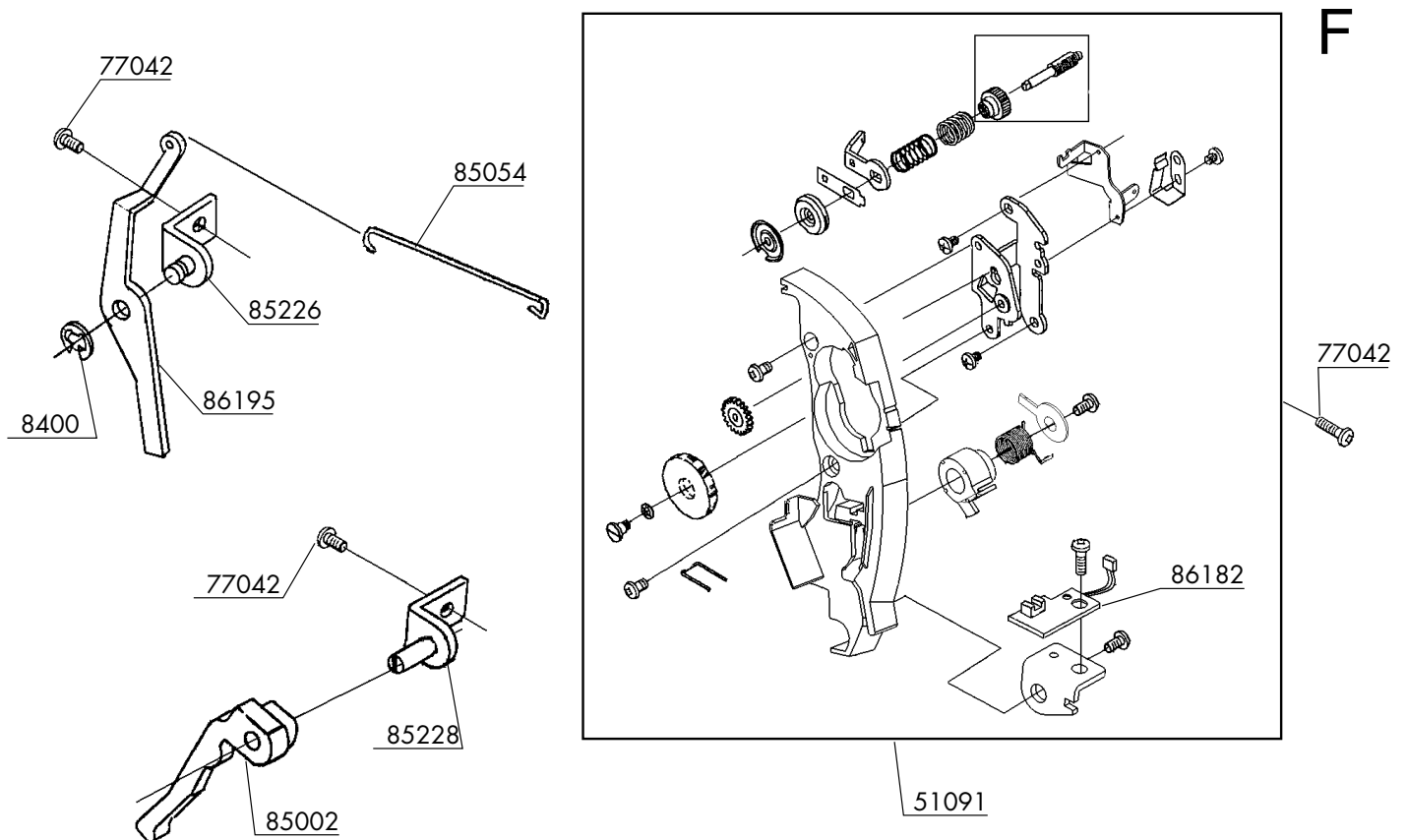
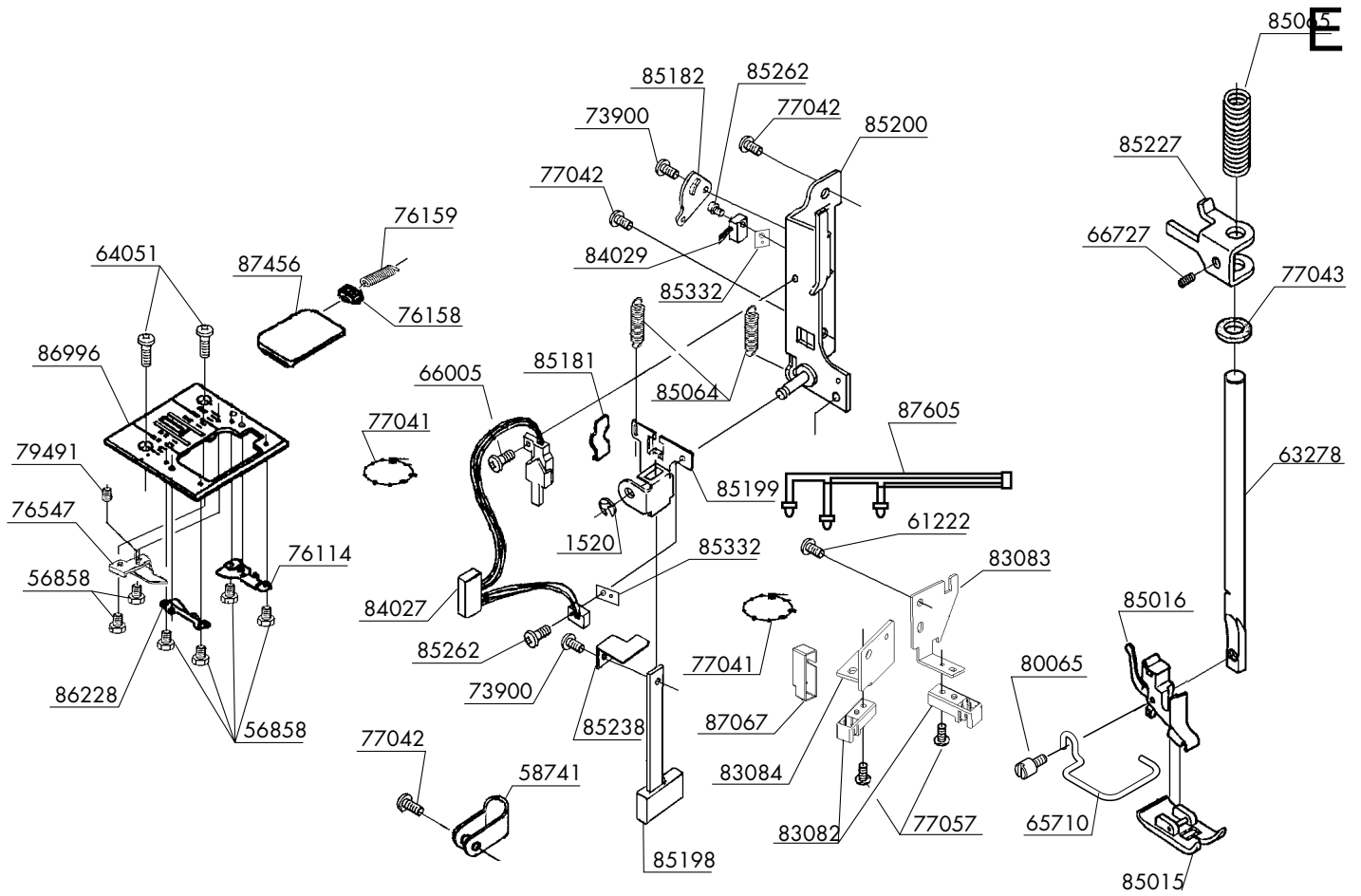
IMPORTANT:

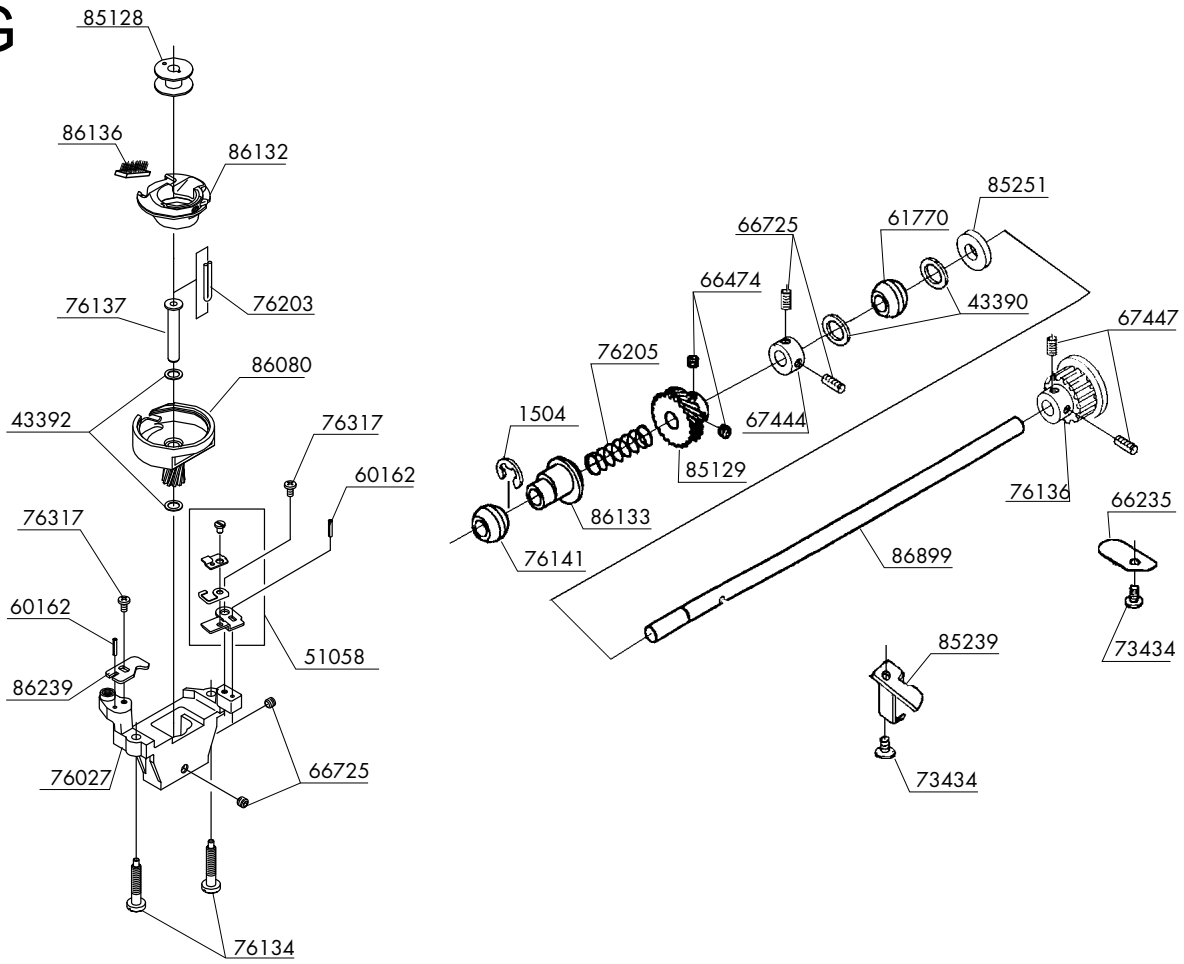
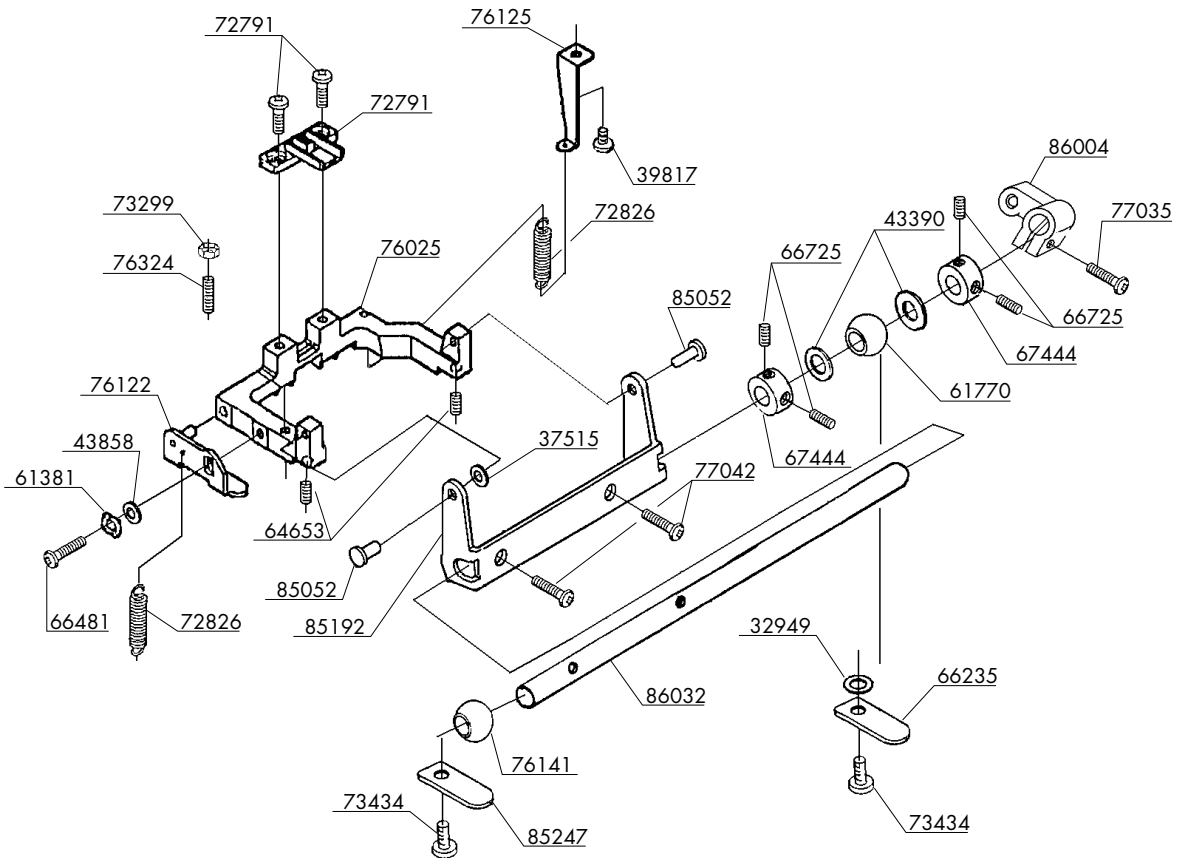
WHEN ORDERING THE PARTS ALWAYS CHECK THE SERIAL NUMBER OF THE MACHINE.

FIRST DIGIT OF THE SERIAL NUMBER MUST MATCH WITH THE LAST DIGIT OF THE FACTOR MODEL BELOW.

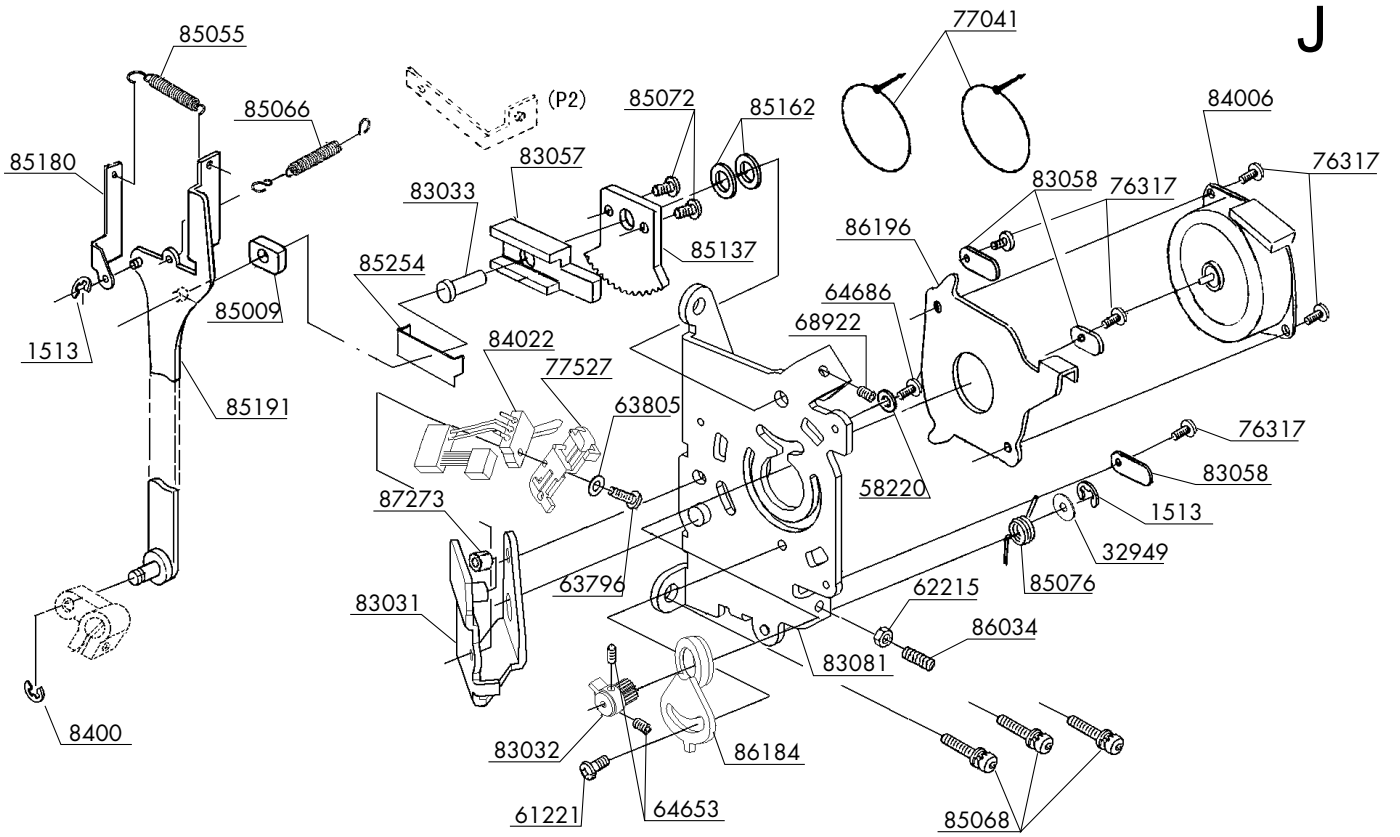
FACTORY MODEL 225S0, 22550

C**D**

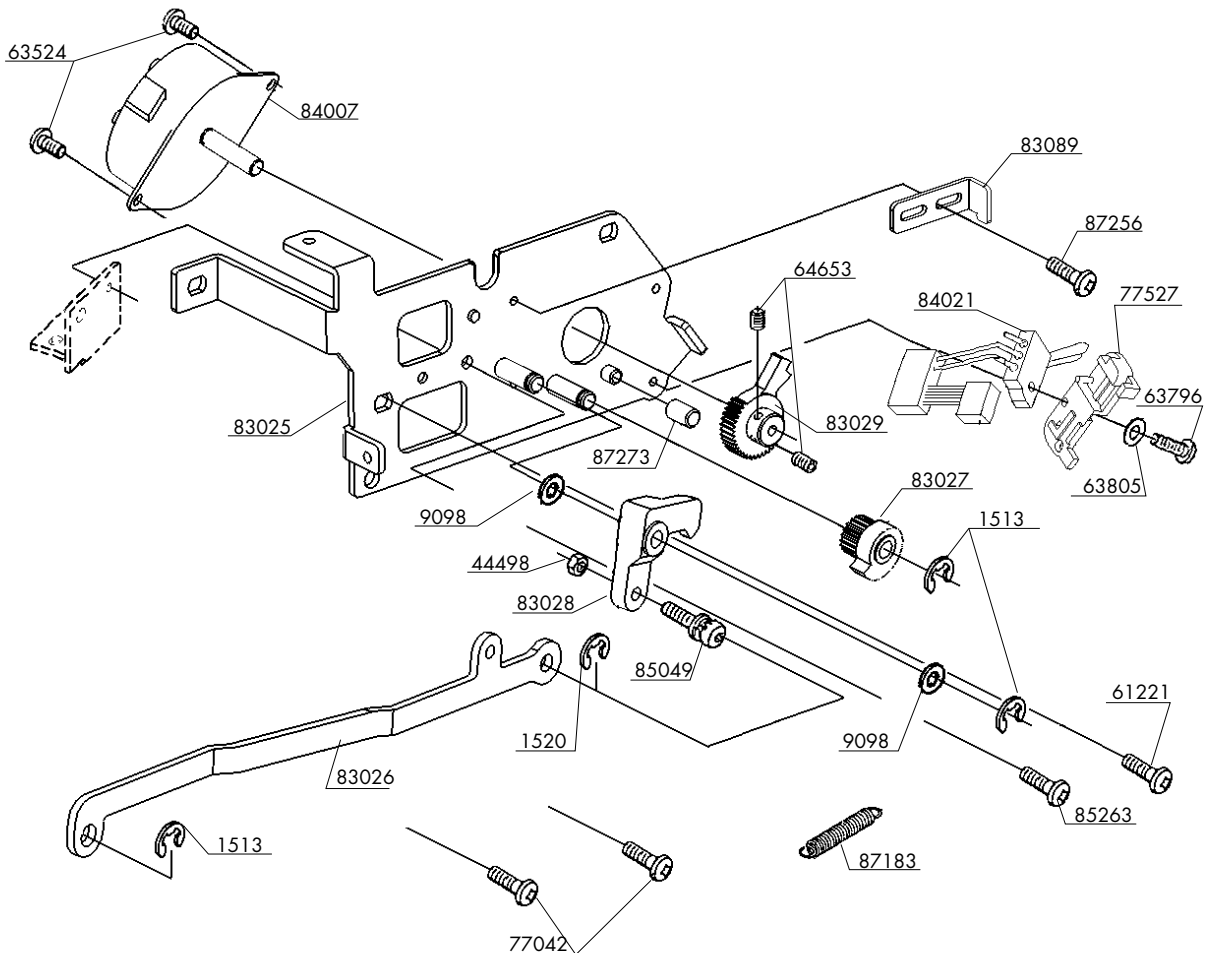


G**H**

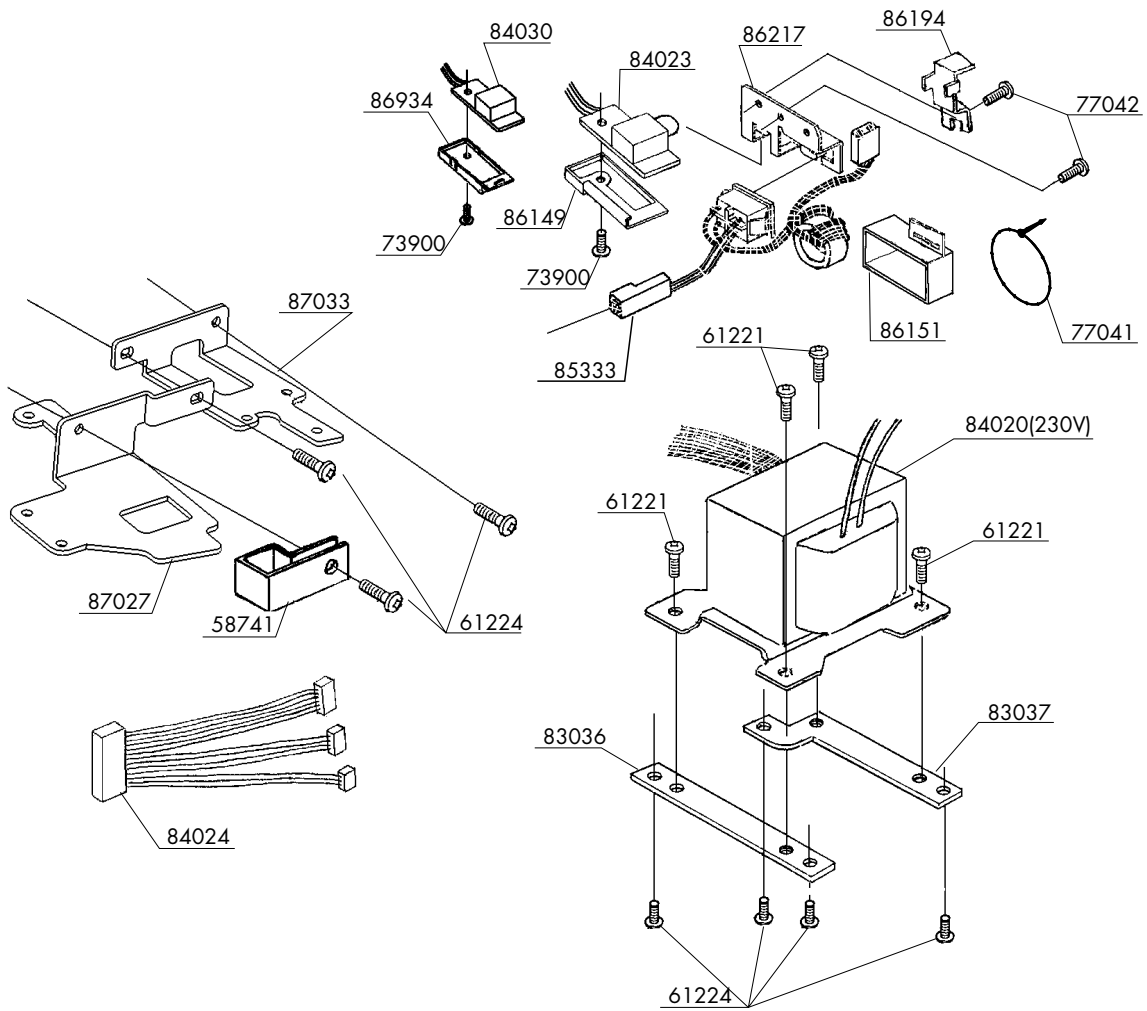
J



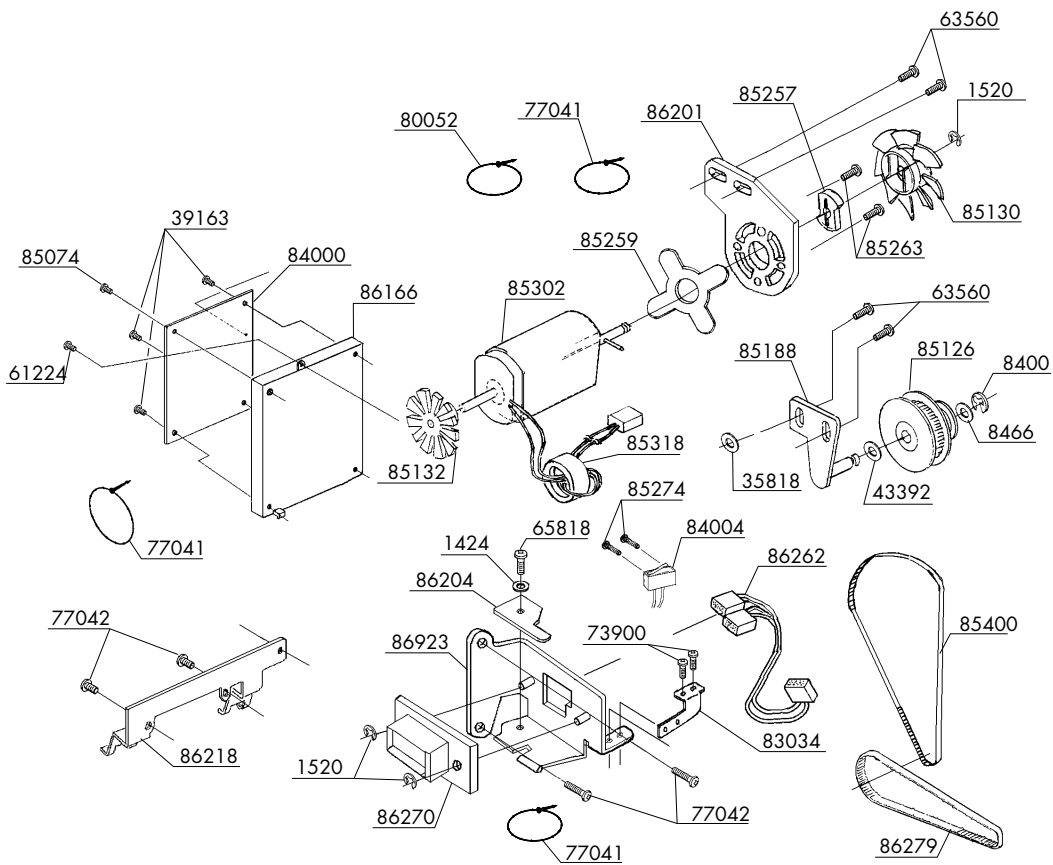
K

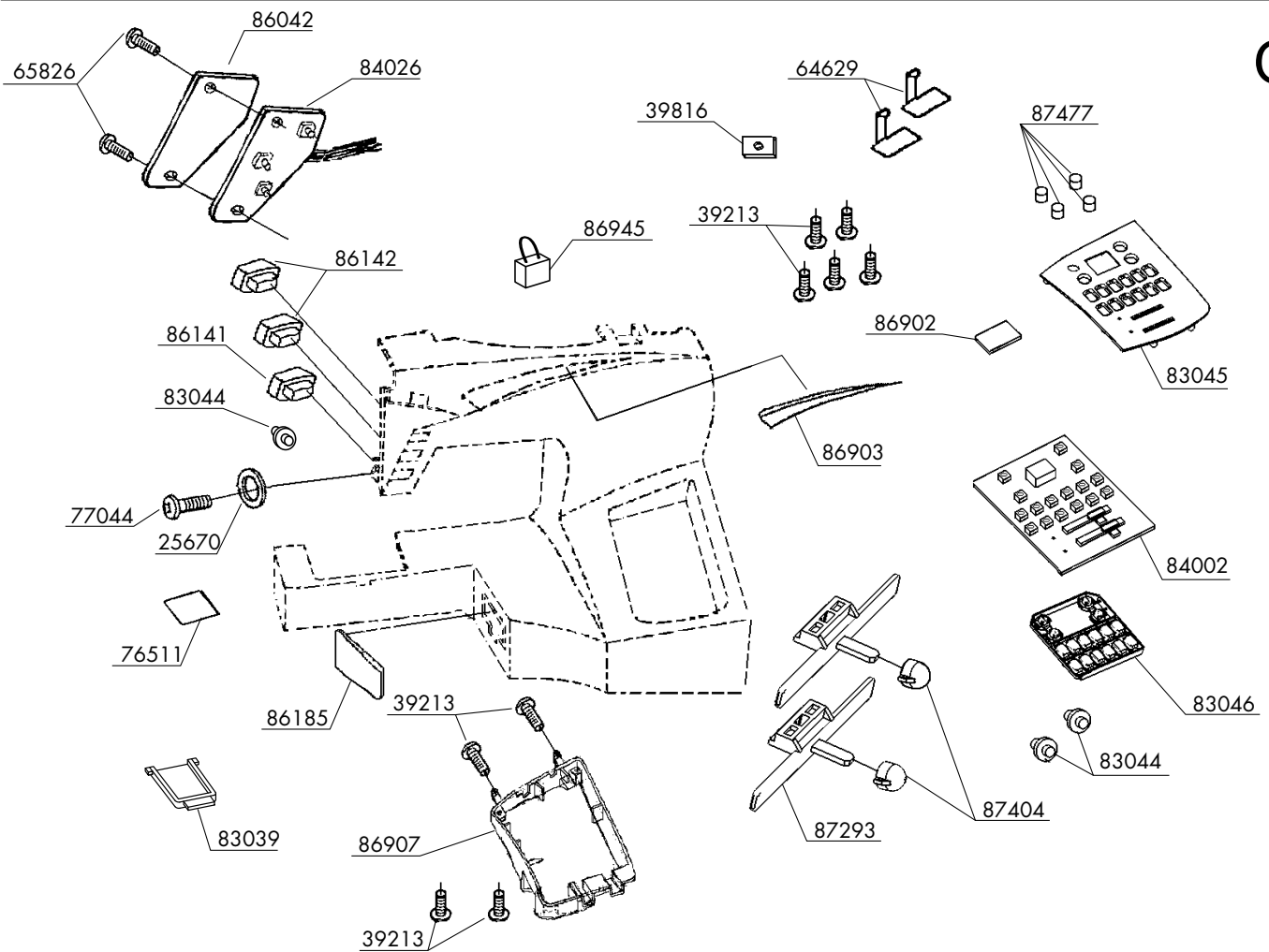
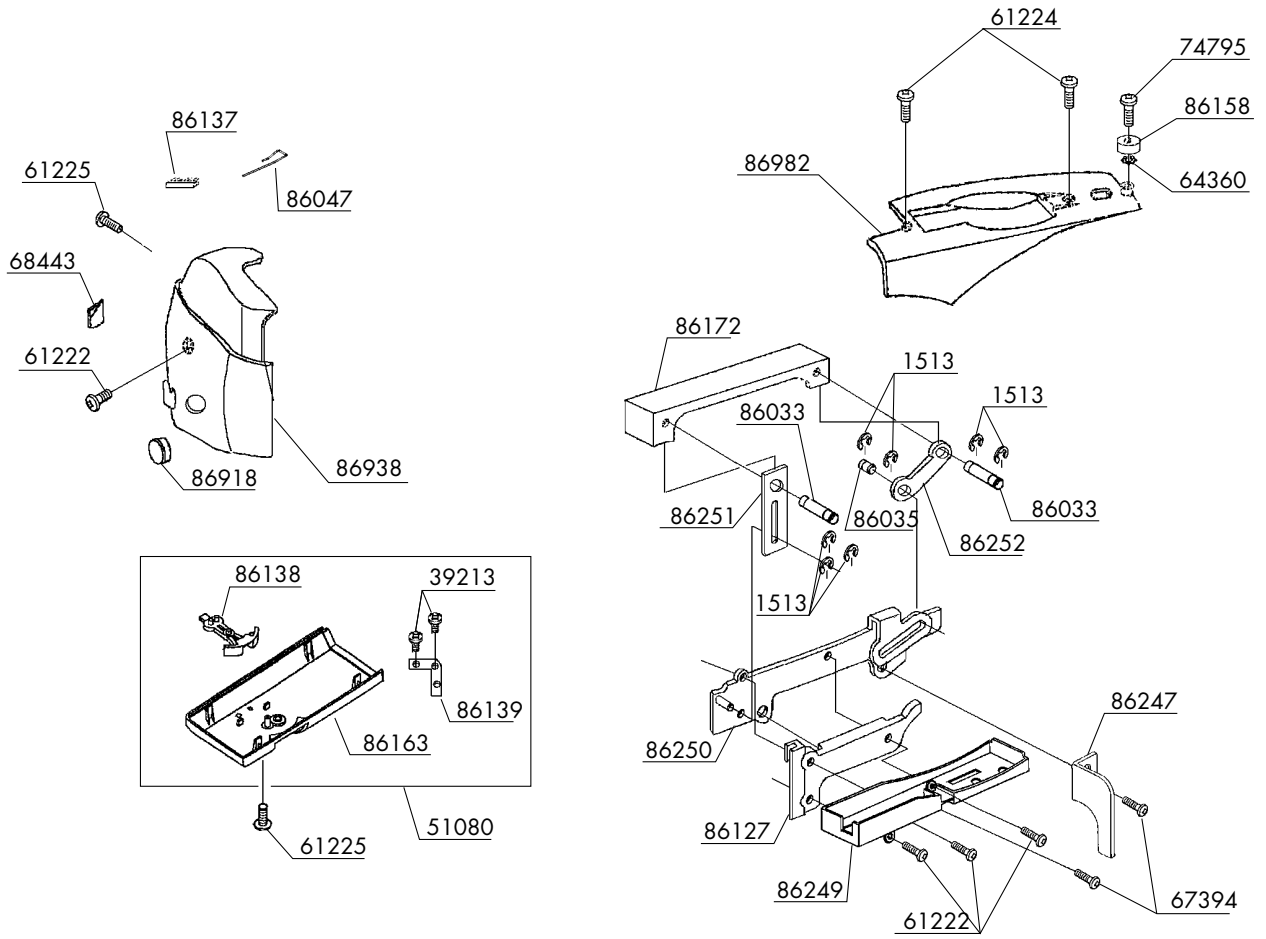


L

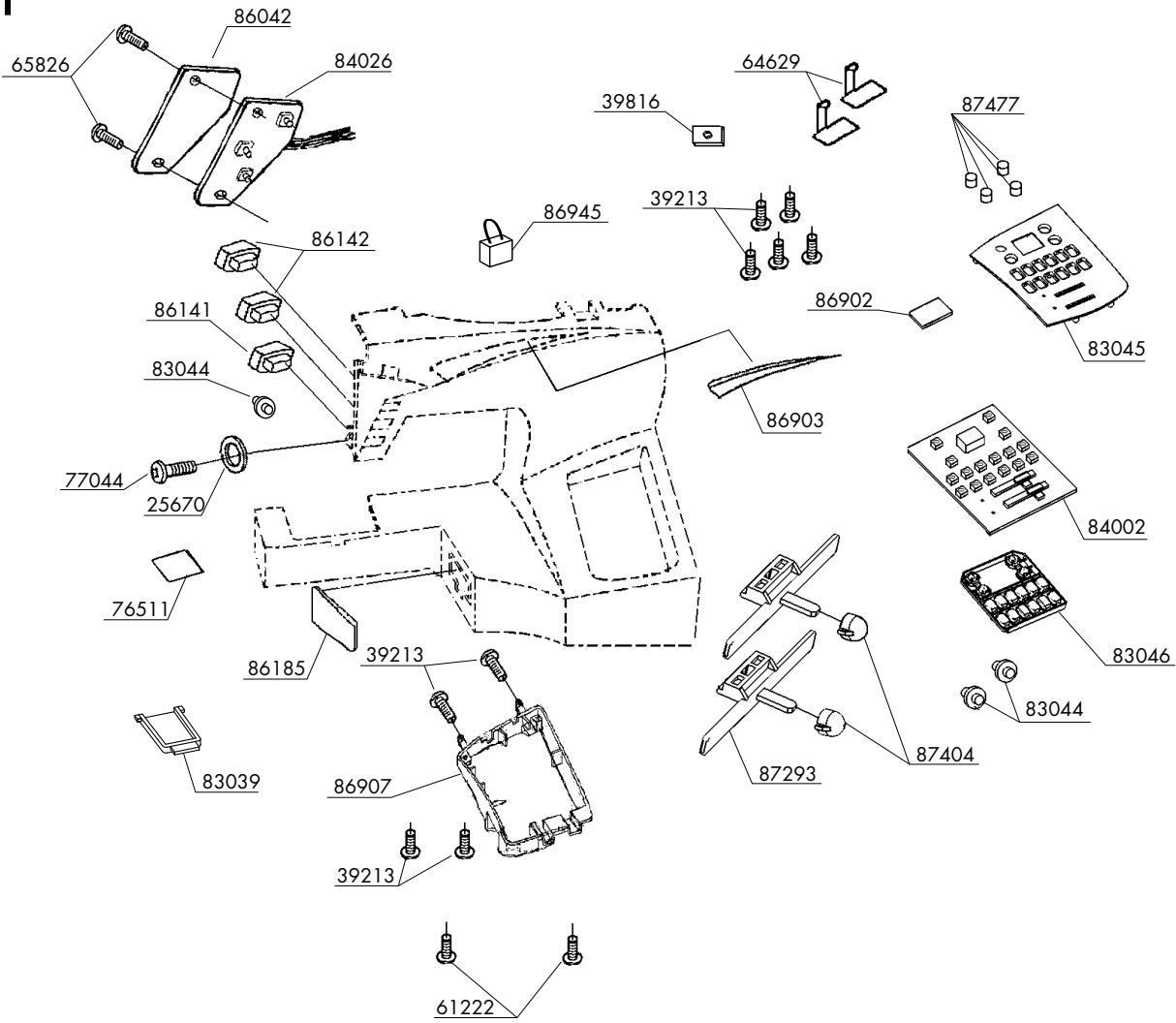


M

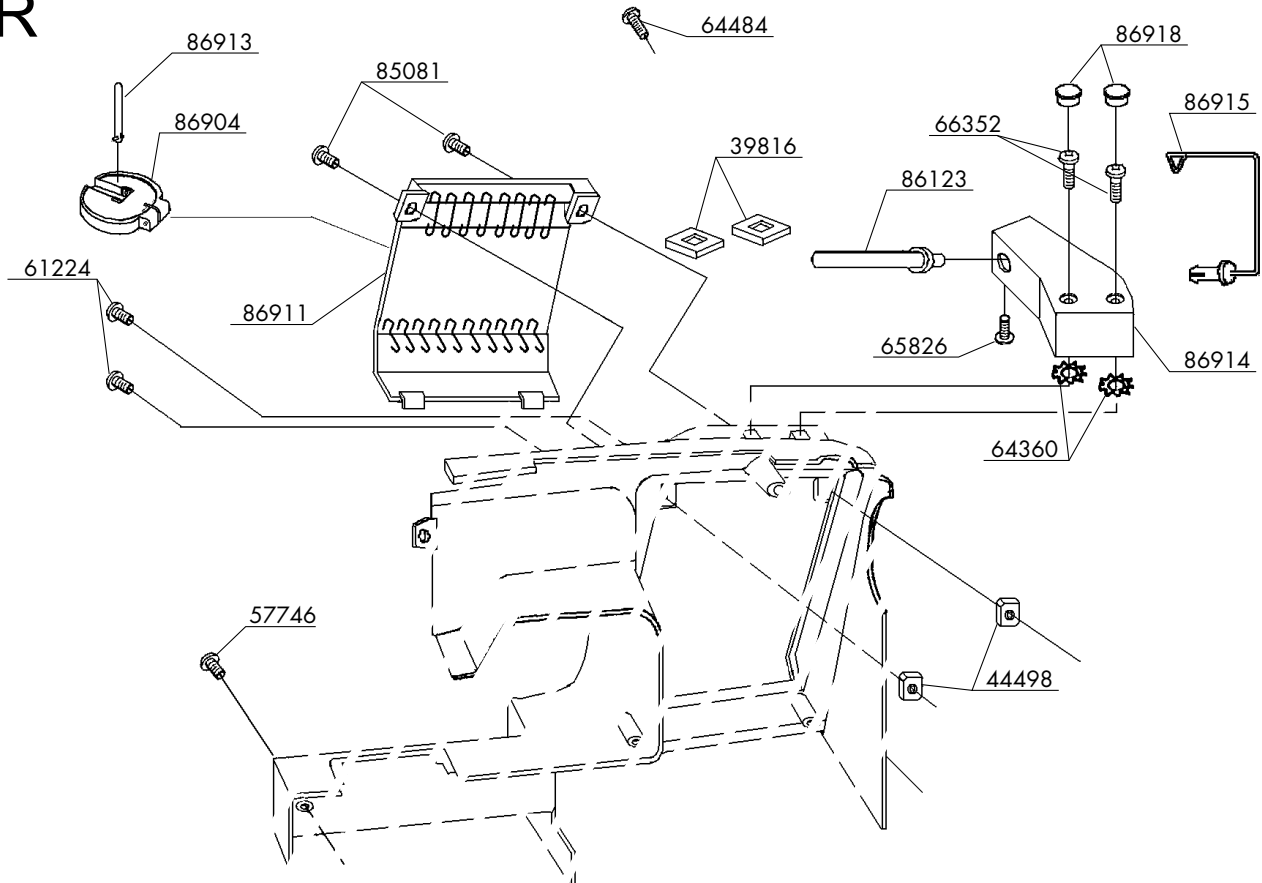


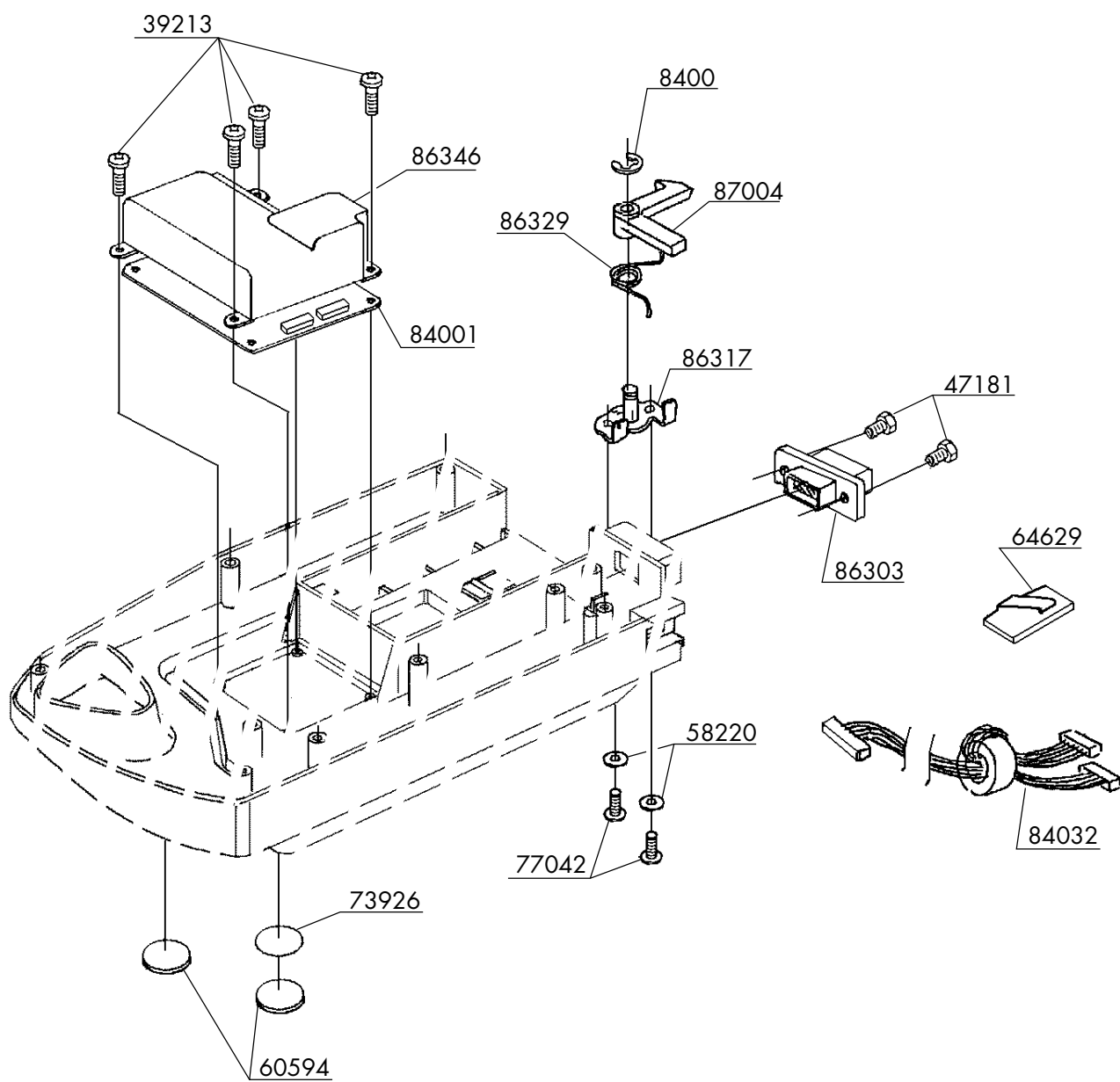


P

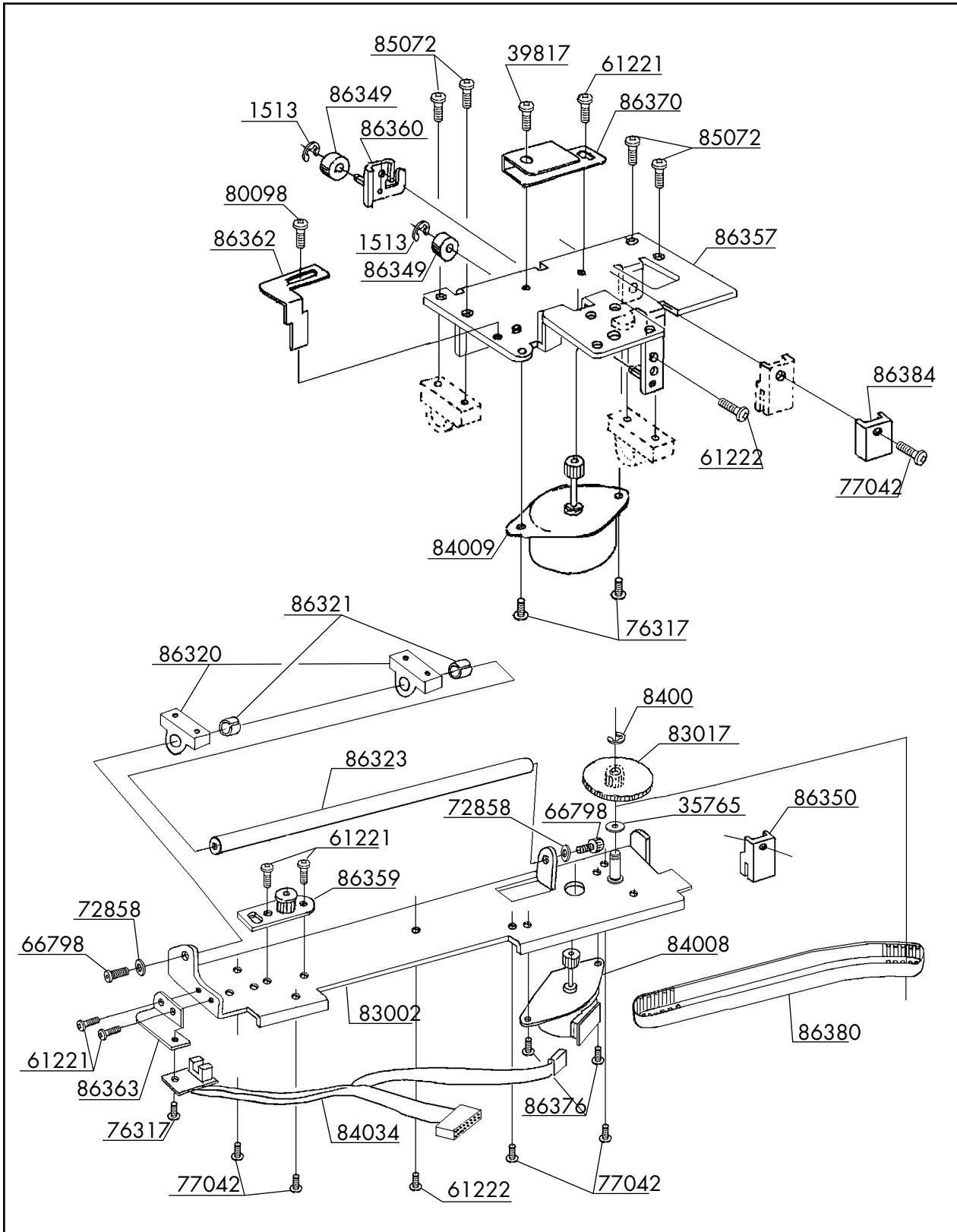


R

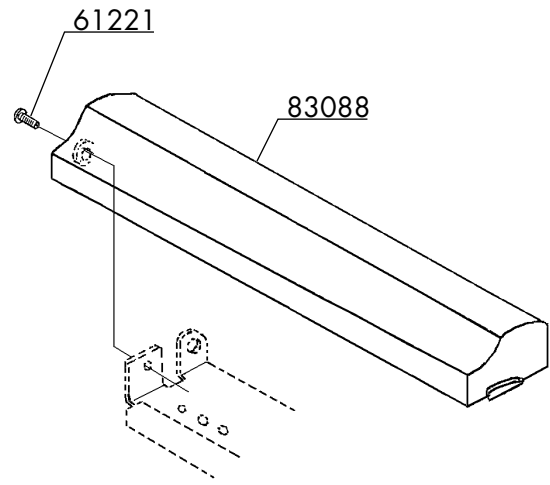
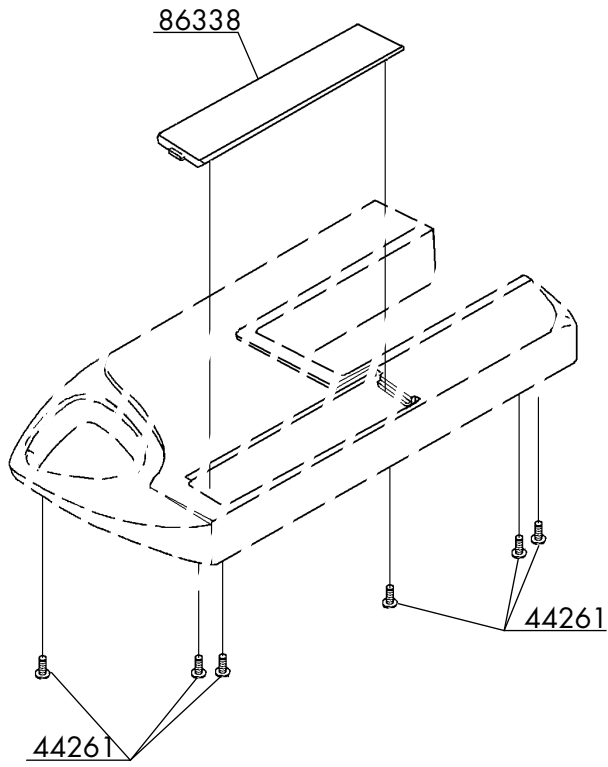




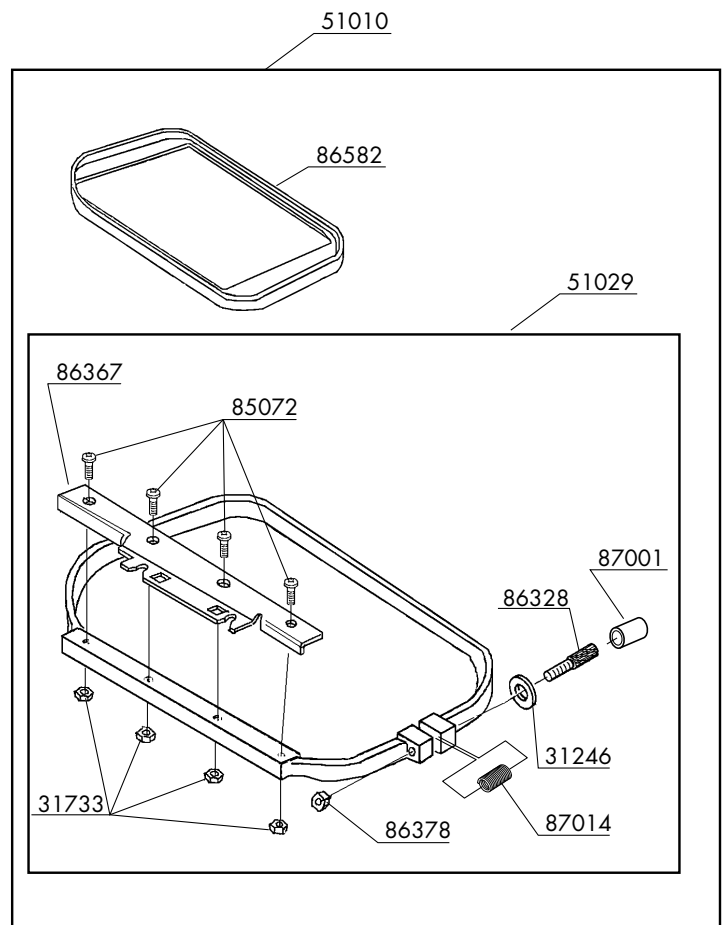
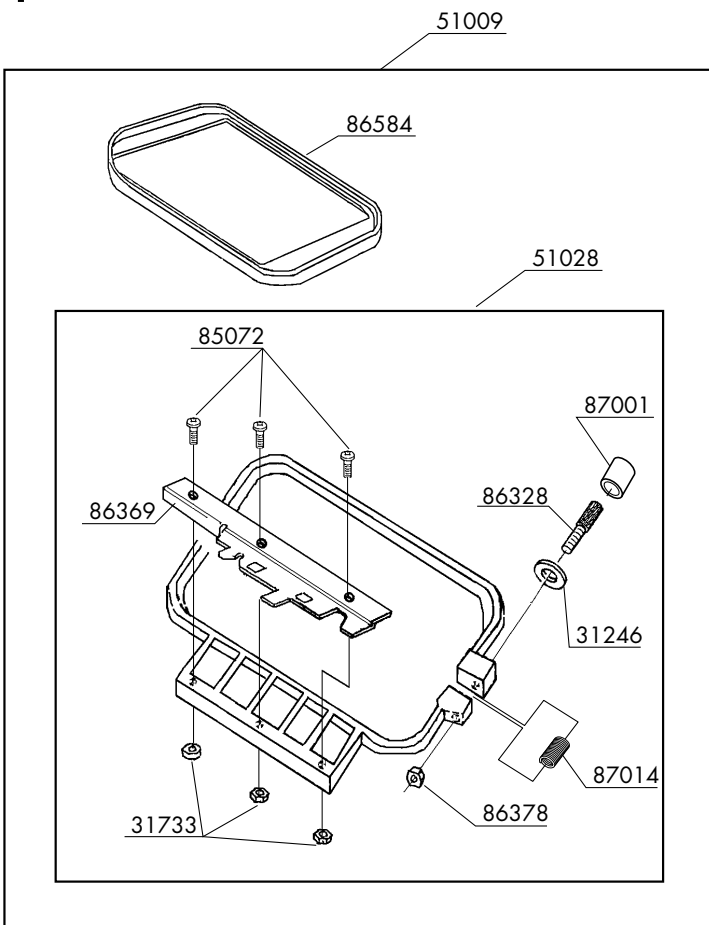
T

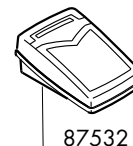
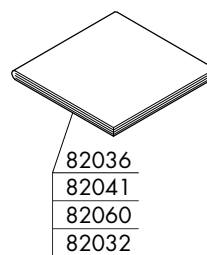
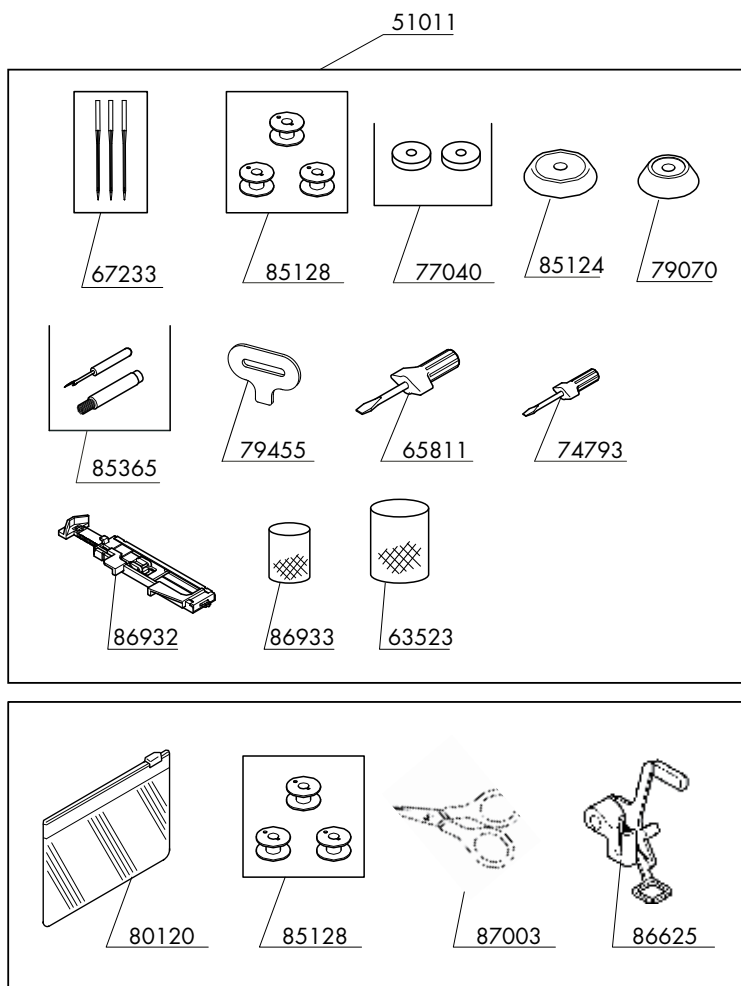


V

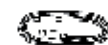
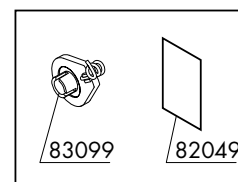


Y





85339 (230V)
85338 (UK ONLY)



83099

82049

86962

PART NO.	DESCRIPTION
51011	ACCESSORY SET
51012	ACCESSORY SET
63523	THREAD SPOOL NET (LONG)
65811	LARGE SCREW DRIVER
67233	NEEDLE
74793	SMALL SCREW DRIVER
77040	SPOOL PIN DISC
79070	SPOOL PIN CAP
79455	LARGE SCREW DRIVER
80120	ACCESSORY VINYL BAG
82032	INSTRUCTION BOOK (I/D/G)
82036	INSTRUCTION BOOK (E/F/S)
82041	INSTRUCTION BOOK (RUSSIA)
82049	INSTRUCTION SHEET
82060	INSTRUCTION BOOK (ENG/DAN/SWE)
83099	REMOVABLE THREAD GUIDE
85124	SPOOL PIN CAP
85128	BOBBIN
85338	POWER CORD (UK ONLY)
85339	POWER CORD (230V)
85365	BUTTONHOLE OPENER / BRUSH
86625	EMBROIDERY PRESSER FOOT
86932	BUTTONHOLE FOOT
86933	THREAD SPOOL NET (SHORT)
86962	USB CABLE
87003	SCISSORS
87532	FOOT CONTROL

PART NO.	DESCRIPTION	PAGE	PART NO.	DESCRIPTION	PAGE
1424	WASHER	M	64051	M4 SCREW	E
1504	E7 CLIP-ON-WASHER	G	64203	TAPPING SCREW	A
1513	E4 CLIP-ON-WASHER	D,J,K,N,T	64360	TOOTHED WASHER	N,R
1520	E3 CLIP-ON-WASHER	C,D,E,K,M,U	64484	TAPPING SCREW	R
8400	E5 CLIP-ON-WASHER	F,J,M,S,T,U	64629	CORD GUIDE	O,S
8466	WASHER	M	64653	M3 SCREW	D,H,J,K
9098	WASHER	K	64686	M4 HEX HEADED SCREW	J
10963	E6 CLIP-ON-WASHER	B,C	65710	FINGER GUARD	E
25670	WASHER	O,U	65811	LARGE SCREW DRIVER	Z
26934	#8 SCREW	D	65818	M4 BOLT	D,M
31246	WASHER	Y	65826	M3 SCREW	O,R
31733	M3 NUT	Y	66005	M2 PHILLIPS SCREW	E
32316	WASHER	U	66052	M4 SCREW	D
32949	WASHER	H,J	66124	RUBBER FOOT	A
35765	WASHER	T	66235	SECURING PLATE	B,G,H
35818	WASHER	M	66318	M3 SCREW	U
35942	WASHER	C	66352	M4 PHILLIPS SCREW	R
37515	WASHER	H,M,U	66437	BUSH	B
39163	TAPPING SCREW	M	66474	M5 SCREW	G
39213	M3 SCREW	N,O,S	66481	M4 STUD SCREW	H
39542	CLIP-ON-WASHER	C	66725	M4 SCREW	B,D,G,H
39816	M4 SQUARE NUT	O,R	66727	M4 SCREW	B,E
39817	M4 PHILLIPS SCREW	H,T	66787	WASHER	B
42359	CRINKLE WASHER	C	66798	M4 SCREW	T,U
43389	THRUST WASHER	B,G,H	67232	NEEDLE	D
43392	THRUST WASHER	D,G,M	67233	NEEDLE	Z
43393	WASHER	D	67394	M5 PHILLIPS SCREW	N
43858	WASHER	H	67444	COLLAR	G,H
43930	SPRING PIN	B	67447	M5 SCREW	B,G
44261	M4 SCREW	V	67533	RUBBER CUSHION	A
44267	SPRING WASHER	U	68152	BALL BUSH	B
44498	M3 NUT	K,R	68332	EXTENSION SPRING	C
47181	TAPPING SCREW	S	68443	BLADE	N
51009	SMALL HOOP	Y	68891	WASHER	B
51010	LARGE HOOP	Y	68922	M4 SCREW	J
51011	ACCESSORY SET	Z	72791	M4 SCREW	H
51012	ACCESSORY SET	Z	72826	EXTENSION SPRING	H
51028	OUTER FRAME (S) SET	Y	72858	WASHER	C,T
51029	OUTER FRAME (L) SET	Y	73299	M4 TORQUE NUT	A,H
51045	BOBBIN CASE SET	G	73371	M6 SCREW	B
51058	RETAINER SET	G	73434	M4 PHILLIPS SCREW	B,D,G,H
51080	BOTTOM COVER SET	N	73471	FEED REGULATING CAM	B
51091	THREAD GUIDE PLATE UNIT	F	73472	COLLAR	B
51092	X-UNIT ASSY	T	73900	M3 SCREW	C,D,E,L,M
51093	Y-UNIT ASSY	U	73926	SPACER	S
53403	WASHER	B	74793	SMALL SCREW DRIVER	Z
53740	SPRING WASHER	U	74795	TAPPING SCREW	N
56858	M2 PHILLIPS SCREW	E	75047	CLUTCH	B
57746	TAPPING SCREW	R	75060	TAKE-UP LEVER CRANK	B
58220	WASHER	C,J,S	75130	RATCHET A	C
58741	CORD GUARD	C,E,L	75131	RATCHET B	C
60162	KNOCK PIN	G	75163	M4 STUD SCREW	C
60594	RUBBER FOOT	S	75183	M4 STUD SCREW	C
61221	M4 PHILLIPS SCREW	J,K,L,T,V	75194	TORSION SPRING	B
61222	M4 PHILLIPS SCREW	D,E,N,O,T	75196	TORSION SPRING	C
61224	M4 PHILLIPS SCREW	B,C,L,M,N,R	75207	CS-CLIP	B
61225	M4 PHILLIPS SCREW	N	75226	SQUARE NUT	C
61227	E6 PHILLIPS SCREW	A	76025	FEED DOG BASE	H
61341	M4 SCREW	A	76027	SHUTTLE RACE BASE	G
61381	CRINKLE WASHER	H	76104	FEED DOGS	H
61592	WASHER	U	76114	COVER GUIDE (R)	E
61770	BALL BUSHING	G,H	76122	FEED BASE ADJUSTMENT	H
62215	M4 NUT	J	76125	SPRING HOOK PLATE	H
63278	PRESSER BAR	E	76134	SCREW	G
63523	THREAD SPOOL NET (LONG)	Z	76136	BELT METAL	G
63524	M3 BOLT	K	76137	SHUTTLE RACE SHAFT	G
63560	M4 PHILLIPS SCREW	M	76141	BALL BUSHING	G,H
63796	M3 SCREW	J,K	76158	RELEASE LEVER	E
63805	WASHER	J,K	76159	COMPRESSION LEVER	E

PART NO.	DESCRIPTION	PAGE	PART NO.	DESCRIPTION	PAGE
76203	OILING CORD	G	83084	LED LIGHT PLATE (B2)	E
76205	TORSION SPRING	G	83088	CARRIAGE	V
76317	M3 PHILLIPS SCREW	C,G,H,J,T,U	83089	SECURING PLATE	K
76324	M4 SCREW	H	83099	REMOVABLE THREAD GUIDE	Z
76511	SEAL	O	84000	MAIN CIRCUIT BOARD	M
76547	THREAD CONTROL PLATE	E	84001	CIRCUIT BOARD	S
77035	M4 PHILLIPS SCREW	B,H	84002	CIRCUIT BOARD	O
77040	SPOOL PIN DISC	Z	84004	SWITCH HARNESS	M
77041	UNIT Y FASTENER	C,E,J,L,M	84006	STEP MOTOR	J
77042	M4 PHILLIPS SCREW	A,C,D,E,F,H,K,L,M,S,T	84007	STEP MOTOR	K
77043	FELT	D,E	84008	STEP MOTOR	T
77044	M3 PHILLIPS SCREW	C,D,O	84009	STEP MOTOR	T
77057	M3 SCREW	E	84011	HARNESS	U
77527	SENSOR COVER	J,K	84018	MAIN SHAFT SENSOR HAR	C
79070	SPOOL PIN CAP	Z	84019	THREAD SENSOR	C
79455	LARGE SCREW DRIVER	Z	84020	TRANSFORMER (230V)	L
79491	SET SCREW	E	84021	SENSOR UNIT	K
79505	THREAD REGULATE PLATE	C	84022	HARNESS FOR PULS MOTOR	J
80003	NEEDLE CLAMP SET	D	84023	F.C.JACK HARNESS	L
80050	TUBE	A	84024	CONNECTING HARNESS	L
80052	UNITY FASTENER	M	84026	SWITCH HARNESS	O
80065	#7 SCREW FOR SHANK	E	84027	BH LEVER SWITCH	E
80070	COLLAR	A	84029	MINI SWITCH	E
80098	M3 SCREW	T	84030	USB HARNESS	L
80106	ACCESSORY BOX SET	A	84032	HARNESS	S
80120	ACCESSORY VINYL BAG	Z	84034	HARNESS	T
82032	INSTR BOOK (I/D/G)	Z	85002	PRESSER BAR LIFTER	F
82036	INSTR BOOK (E/F/S)	Z	85003	BELT PULLEY	B
82041	INSTR BOOK (RUSSIA)	Z	85005	NEEDLE BAR SUPPORT	D
82049	INSTRUCTION SHEET	Z	85009	SLIDE BLOCK	J
82060	INSTR BOOK (ENG/DAN/SWE)	Z	85013	POSITIONING COLLAR	B
83002	X BASE	T	85014	FULCRUM BLOCK	D
83003	Y BASE	U	85015	ZIGZAG PRESSER FOOT	E
83005	Y MOVING PLATE	U	85016	PRESSER FOOT HOLDER	E
83006	Y SENSOR PLATE	U	85017	BLANCER	B
83007	LEAF SPRING	U	85041	NEEDLE BAR	D
83008	INSULATION SHEET	U	85043	HEADED PIN	D
83010	φ6 SHAFT	U	85045	PIN	D
83012	CORD GUIDE (D)	U	85046	COLLAR	B
83014	HOOP SWITCH	U	85049	STUD SCREW	K
83015	BELT HOLDER (Y)	U	85050	ECCENTRIC	D
83016	GEAR (Y)	U	85052	PIN W / HEAD	H
83017	T PULLEY & GEAR (X)	T	85054	CONNECTING WIRE	F
83018	SPRING	U	85055	EXTENSION SPRING	J
83019	T PULLEY BASE (Y)	U	85058	COLLAR	D
83025	MOTOR BRACKET	K	85059	EXTENSION SPRING	D
83026	ZIGZAG CONNECTING ROD	K	85060	COMPRESSION SPRING	D
83027	ZIGZAG DRIVE GEAR	K	85061	SPRING PIN	D
83028	ZZ LIMITING PLATE	K	85062	THREADER SHAFT SET	D
83029	SENSOR SUPPORT LEVER	K	85064	EXTENSION SPRING	E
83031	FEED SENSOR BRACKET	J	85065	COMPRESSION SPRING	E
83032	PINION GEAR	J	85066	EXTENSION SPRING	J
83033	HEADED PIN	J	85068	CAP-BOLT	J
83034	SWITCH BRACKET	M	85071	SHAFT#8	C
83036	BRACKET A	L	85072	M3 SCREW	J,T,Y
83037	BRACKET B	L	85074	M3 SCREW	M
83039	LED COVER	O	85075	SPRING PIN	D
83044	LED PANEL	O	85076	TORSION SPRING	J
83045	CONTROL PANEL	O	85081	SCREW	R
83046	PATTERN SWITCH	O	85102	PROTECTION SHEET	C
83057	FEED CONTROL REGULATOR	J	85103	BELT PULLEY	B
83058	SECURING PLATE	J	85124	SPOOL PIN CAP	Z
83061	TENSION SENSOR COVER	C	85126	IDLER PULLEY	M
83062	BOTTOM COVER	A	85128	BOBBIN	G,Z
83063	LEG	A	85129	BEVEL GEAR	G
83077	SEAL	A	85130	MOTOR PULLEY	M
83081	MOUNTING BRACKET	J	85132	ENCODER	M
83082	LED LIGHT HOLDER	E	85135	END CAP	C
83083	LED LIGHT PLATE (B1)	E	85137	FEED CONTROL GEAR	J

PART NO.	DESCRIPTION	PAGE	PART NO.	DESCRIPTION	PAGE
85138	TENSION ROLLER	B	86123	SPOOL PIN (A)	R
85152	LEVER	D	86127	HANDLE GUIDE	N
85158	COLLAR	D	86130	SENSOR CAM	B
85162	WASHER	J	86132	BOBBIN CASE	G
85174	COVER	C	86133	FEED LIFTING CAM	G
85175	COVER	C	86136	BRUSH	G
85178	WASHER	B	86137	BRUSH	N
85180	PLATE	J	86138	DROP KNOB	N
85181	LEAF SPRING	E	86139	DROP KNOB PLATE	N
85182	CONTROL PLATE	E	86140	SENSOR WHEEL	C
85184	LEAF SPRING	B	86141	BUTTON (A)	O
85188	IDLER PULLEY BRACKET	M	86142	BUTTON (B)	O
85189	TENSION ROLLER PLATE	B	86149	JACK COVER	L
85191	FEED CONTROL ROD	J	86151	SWITCH COVER	L
85192	FEED-DOG BASE BRACKET	H	86156	PULLEY CAP	B
85198	BH PLATE(A)	E	86158	BOBBIN WINDER LATCH	N
85199	BH PLATE(B)	E	86163	BOTTOM COVER	N
85200	PB MOUNTING PLATE	E	86165	INSULATION BOX	A
85206	SUPPORT	D	86166	C.B. CONTAINER	M
85208	PLATE	D	86169	HAND WHEEL	B
85209	SUPPORT PLATE	D	86172	HANDLE	N
85217	RETAINER	B	86179	THREAD GUIDE PLATE	D
85221	ABUTMENT LEVER	C	86184	BUSH	J
85226	PLATE WITH PIN	F	86185	CONNECTOR CAP	O
85227	PRESSER BAR BLOCK	E	86194	SECURING PLATE	L
85228	PLATE WITH PIN	F	86195	RELEASE LEVER	F
85235	STOPPER	D	86196	MOTOR BRACKET	J
85238	BH PLATE(C)	E	86201	MOTOR BRACKET	M
85239	SECURING PLATE	G	86204	STOPPER	M
85245	LEFT SPRING	D	86212	ENCODER FIXING PLATE	C
85247	SECURING PLATE	H	86216	COVER MOUNTING PLATE	D
85251	WASHER	G	86217	SWITCH BRACKET	L
85253	WASHER	B	86218	BOARD BRACKET	M
85254	PLATE	J	86228	COVER GUIDE (L)	E
85257	RUBBER STOPPER	M	86236	BASE PLATE	C
85259	RUBBER CUSHION	M	86239	BOBBIN CASE STOPPER	G
85262	M2 SCREW	E	86247	LIMITING PLATE	N
85263	M3 PHILLIPS SCREW	C,D,K,M,U	86249	HANDLE BASE COVER	N
85268	SENSOR BRACKET	C	86250	HANDLE BRACKET	N
85270	COIL SPRING	C	86251	SLIDE LINK (LEFT)	N
85274	M2 SCREW	C,M	86252	SLIDE LINK (RIGHT)	N
85302	MOTOR	M	86262	HARNESS (A)	M
85318	FERRITE RING	M	86270	CONNECTOR	M
85332	SPACER	E	86279	BELT (S)	M
85333	SWITCH HARNESS	L	86303	CONNECTOR	S
85338	POWER CORD (UK ONLY)	Z	86308	FLAT CABLE	U
85339	POWER CORD (230V)	Z	86312	HOOP SWITCH UNIT	U
85355	SENSOR HARNESS	C	86316	CABLE GUIDE	U
85365	BH OPENER / BRUSH	Z	86317	SUPPORTING PLATE	S
85400	BELT (L)	M	86320	BEARING SUPPORT	T
85403	TIMING BELT	B	86321	COLLAR	T
86004	FEED REGULATING ARM	H	86323	SHAFT	T
86006	CRANK SHAFT	B	86324	SHAFT	U
86007	SHAFT	B	86328	HOOP ADJUSTING SCREW	Y
86008	TAKE-UP LEVER	B	86329	TORSION SPRING	S
86030	MAIN SHAFT	B	86335	PROTECTION PLATE (Y)	U
86032	HORIZONTAL FEED SHAFT	H	86338	COVER	V
86033	SHAFT	N	86346	BOARD COVER	S
86034	M4 SCREW	J	86347	T PULLEY	U
86035	SHAFT	N	86349	GUIDE ROLLER	T
86038	STUD SCREW	A	86350	BELT HOLDER	T
86042	INSULATION SHEET	O	86353	T PULLEY & GEAR (Y)	U
86046	THREAD GUIDE	D	86357	X MOVING PLATE	T
86047	CLIP	N	86359	T PULLEY BASE (X)	T
86080	SHUTTLE RACE	G	86360	GUIDE ROLLER BASE	T
86109	ACCESSORY BOX	A	86362	X SENSOR PLATE	T
86110	ACC.BOX COVER B	A	86363	SENSOR FIXING PLATE	T
86111	ACC.BOX COVER A	A	86366	INSULATION SHEET	U
86117	BOTTOM COVER	A	86367	HOOP MOUNTING PLATE	Y

PART NO.	DESCRIPTION	PAGE	PART NO.	DESCRIPTION	PAGE
86368	Y BASE SUPPORT PLATE	U			
86369	HOOP MOUNTING PLATE	Y			
86370	CORD GUIDE (A)	T			
86371	CORD GUIDE (B)	U			
86372	CORD GUIDE (C)	U			
86376	M3 SCREW	T,U			
86377	HOOP SECURING SCREW	U			
86378	M3 NUT	Y			
86379	WASHER	U			
86380	TIMING BELT (X)	T			
86381	TIMING BELT (Y)	U			
86384	PROTECTION PLATE	T			
86582	INNER FRAME (L)	Y			
86584	INNER FRAME (S)	Y			
86625	EMBROIDERY PF	Z			
86899	LOWER SHAFT	G			
86902	INDICATOR WINDOW	O			
86903	PANEL	O			
86904	SPOOL PIN HOLDER (B)	R			
86907	CIRCUIT BOARD HOLDER	O			
86910	PATTERN DRAWER	A			
86911	BACK COVER	R			
86913	SPOOL PIN (B)	R			
86914	SPOOL PIN HOLDER (A)	R			
86915	THREAD GUIDE POLE	R			
86917	BRUSH	C			
86918	CAP	N,R			
86923	CONNECTOR BRACKET	M			
86925	THREAD PLATE	C			
86926	SECURING PLATE	C			
86927	SECURING PLATE	C			
86928	BOBBIN WINDER COMPLETE	C			
86929	BOBBIN WINDER BASE	C			
86930	BOBBIN WINDER SHAFT	C			
86932	BUTTONHOLE FOOT	Z			
86933	THREAD SPOOL NET SHORT	Z			
86934	USB INSULATION COVER	L			
86938	FACE COVER	N			
86945	JUMPER HARNESS	O			
86962	USB CABLE	Z			
86982	ROOF COVER	N			
86990	SECURING PLATE	A			
86996	NEEDLE PLATE	E			
86997	THREAD GUIDE PLATE	C			
86999	SPRING	C			
87000	M4 SCREW	U			
87001	VINYL TUBE	Y			
87002	VINYL TUBE	U			
87003	SCISSORS	Z			
87004	RELEASE LEVER	S			
87007	THREAD GUIDE	C			
87008	WIRE SPRING	D			
87010	THREADER ASSEMBLY	D			
87014	SPRING	Y			
87018	BRUSH	C			
87027	CORD BRACKET(A)	L			
87033	CORD BRACKET B	L			
87067	LED LIGHT HOLDER	E			
87068	SUPPORT PLATE	D			
87183	SPRING	K			
87256	M3 SCREW	K			
87273	RING	J,K			
87293	SLIDE LEVER	O			
87404	SPEED CONTROL KNOB	O			
87456	SHUTTLE RACE COVER	E			
87477	BUTTON	O			
87532	FOOT CONTROL	Z			
87605	LED LIGHT	E			
87703	NEEDLE BAR CLAMP SET	D			