

SINGER[®]

Sewing Machine XL-150 LIST OF PARTS

SINGER®

Copyright © 2000 SINGER
ALL Right Reserved Throughout the World
SINGER® is a registered trademark of SINGER Sewing Company Limited.

List of parts

Sewing Machine

XL-150

CONTENTS

MACHINE HEAD COMPONENTS

1. COVER AND ACCESSORIES PARTS (1) COMPONENTS	1
2. TOP BOARD AND MICROCOMPUTER BOARD COMPONENTS	3
3. FRONT PANEL AND DISPLAY COVER COMPONENTS	5
4. MAIN SHAFT AND THREAD PULLING LINK COMPONENTS	7
5. SOLENOIDS AND FACE REFERENCE PLATE COMPONENTS	9
6. BASE TENSION AND PRESSER BAR COMPONENTS	11
7. NEEDLE BAR AND NEEDLE THREADER COMPONENTS	13
8. HOOK AND LOOPER COMPONENTS	15
9. THROAT PLATE AND HOOK DRIVING SHAFT COMPONENTS	17
10. FEED MECHANISM COMPONENTS	19
11. FEED STM AND NEEDLE VIBRATION STM COMPONENTS	21
12. THREAD CLUTCH AND SPOOL COMPONENTS	23
13. ELECTRIC POWER BOARD AND MOTOR COMPONENTS	25
14. ACCESSORIES PARTS (2) AND OPTIONAL PARTS COMPONENTS	27
EMBROIDERY UNIT COMPONENTS	
15. UPPER COVER AND BOTTOM COVER COMPONENTS	29
16. Y DRIVING PLATE AND FRAME HOLDER COMPONENTS	31
17. X DRIVING PLATE COMPONENTS	33
18. EMBROIDERY FRAME AND ACCESSORIES PARTS COMPONENTS	35

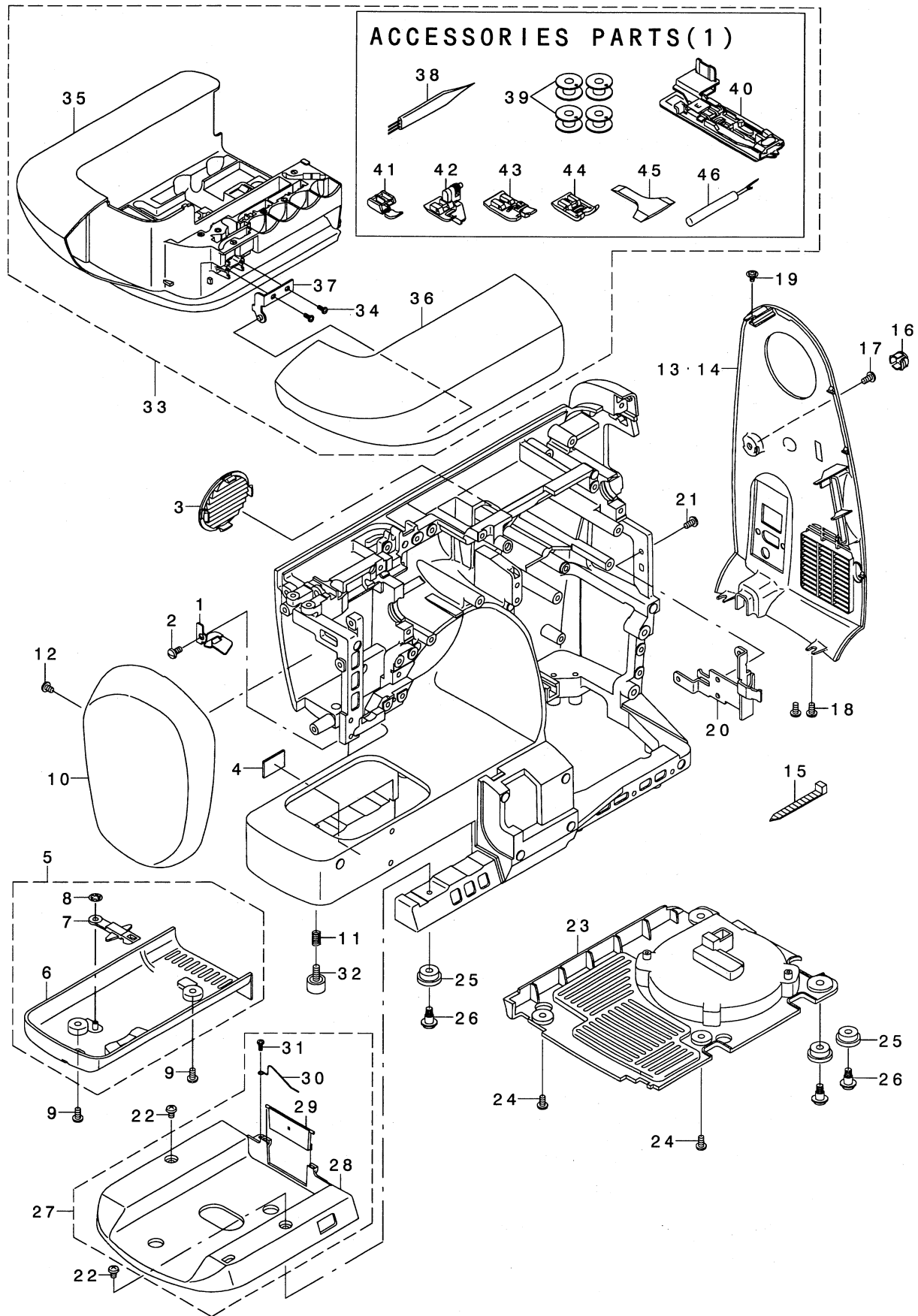
(Remarks)

The part which has an asterisk (*) before its part number is not separately available as a spare part so that the accuracy in assembling and smoothness in component investigation are assured.

Consequently, please place your order using the part number of assembly containing the part.

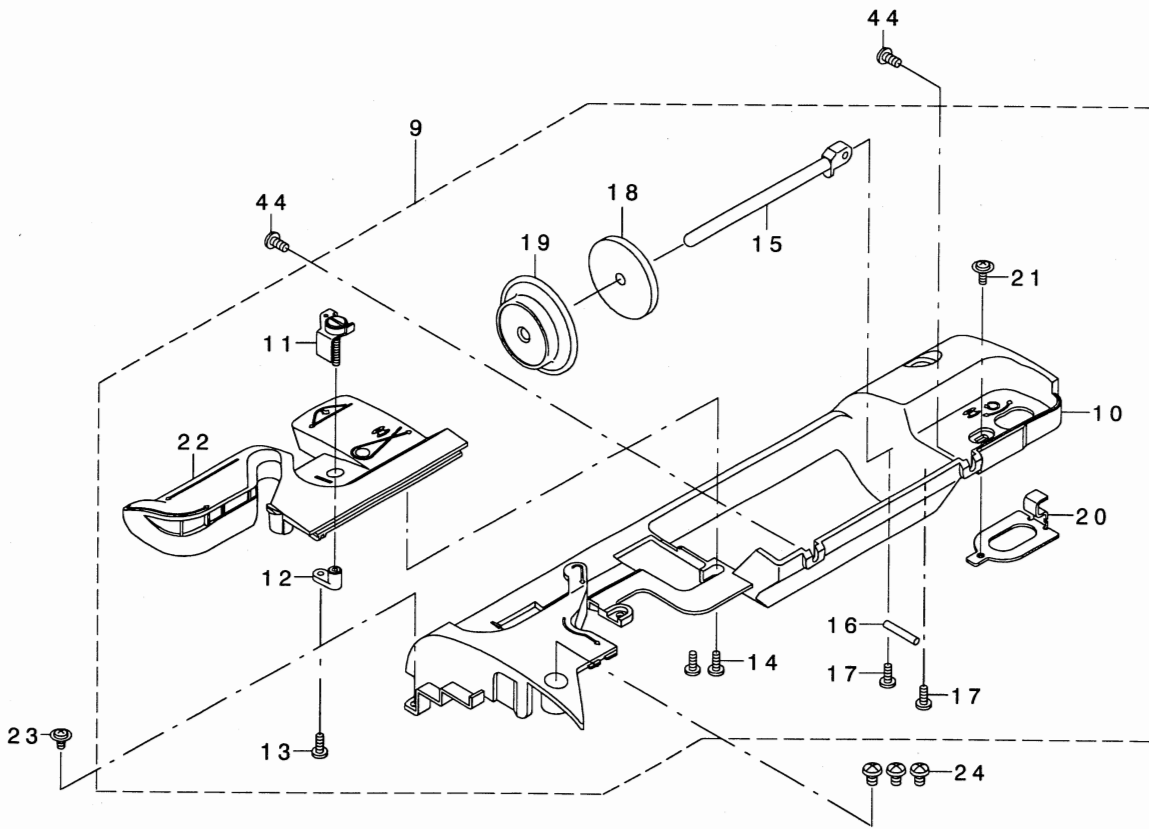
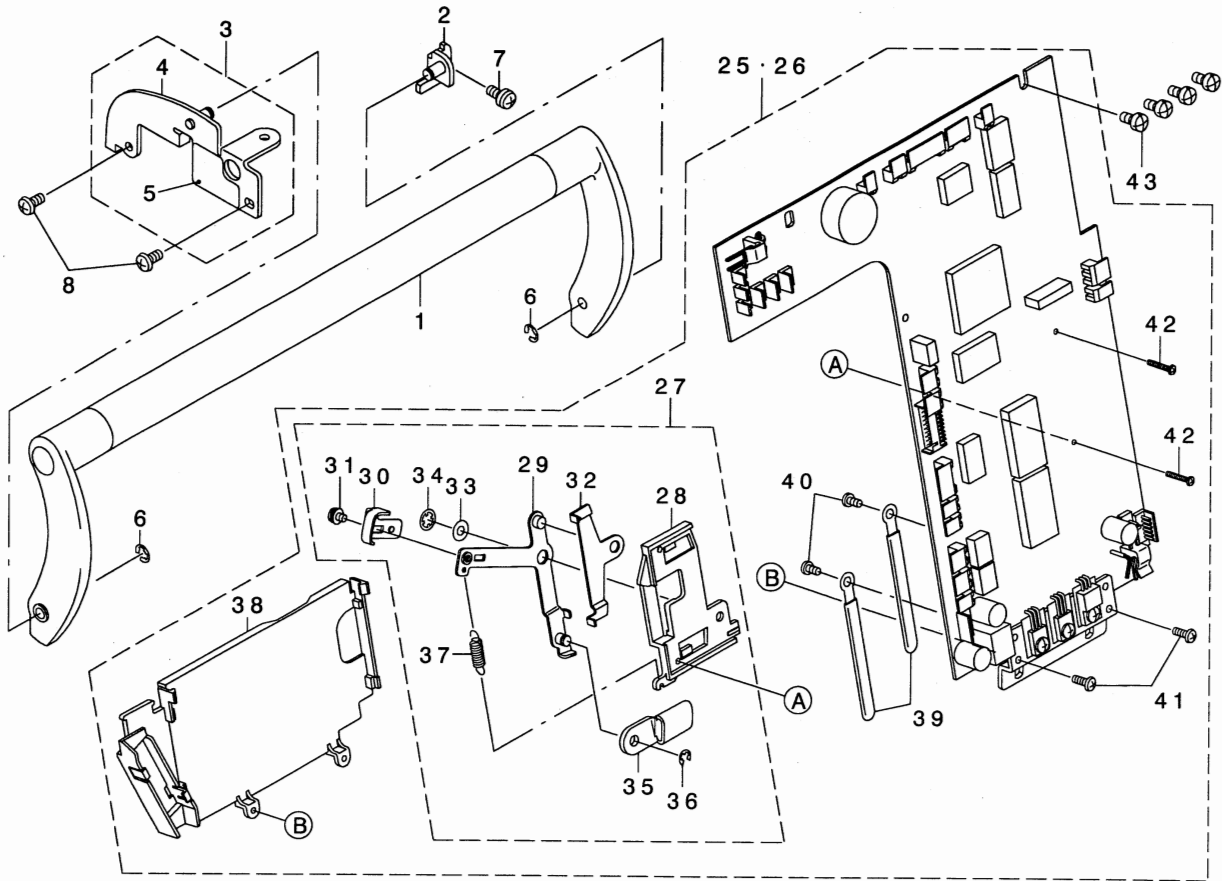
MACHINE HEAD COMPONENTS

1. COVER AND ACCESSORIES PARTS (1) COMPONENTS



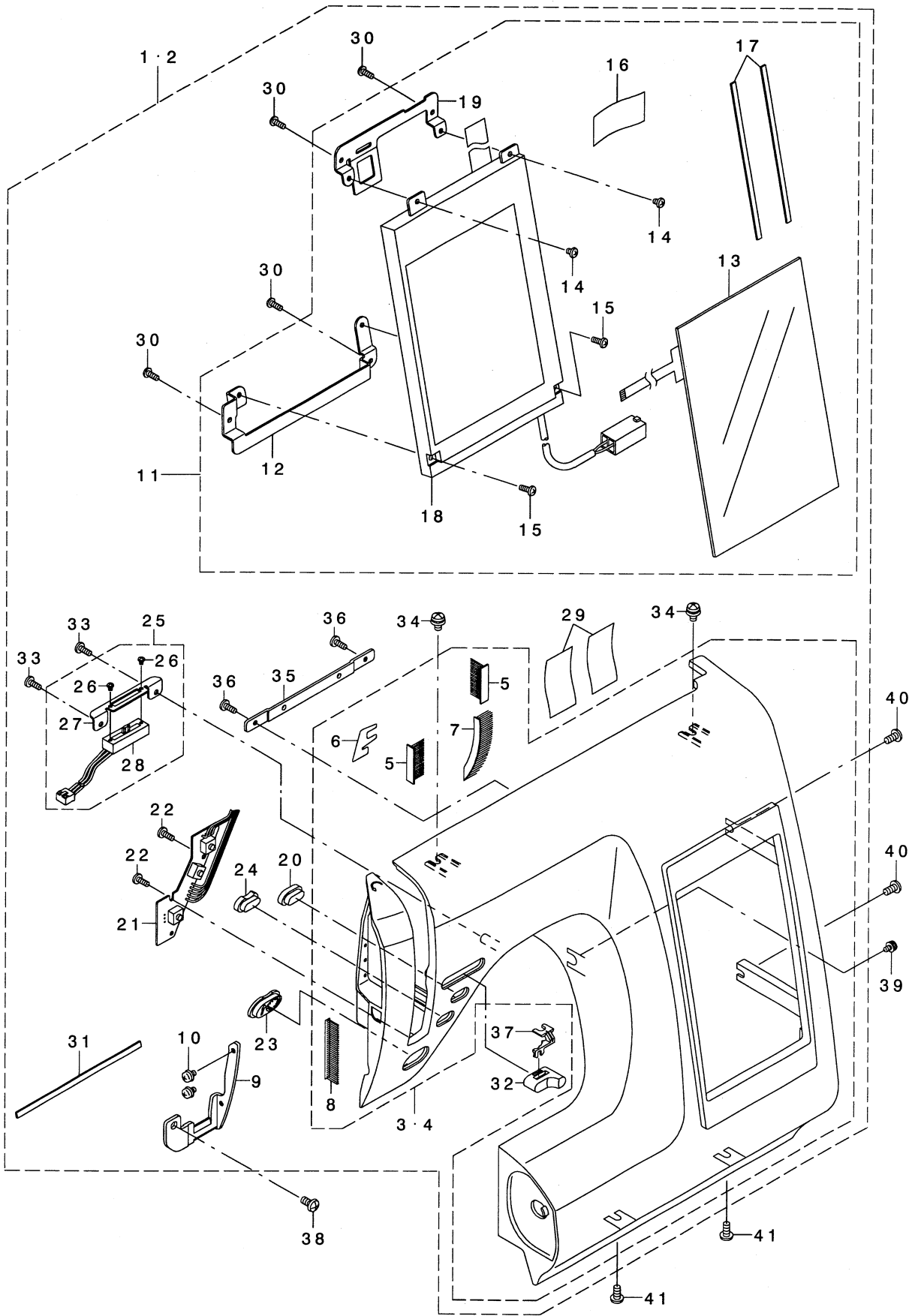
REF	NO.	NOTE	PART NO.	PART DESCRIPTION	Qty
	1		386279	NEEDLE BAR THREAD GUIDE	1
	2		283502	SCREW	1
	3		386052	VENTILATION COVER	1
	4		386245	MOVING KNIFE STOPPER RUBBER	1
	5		386054	FACE PLATE COVER (ASM.)	1
	6		386053	FACE PLATE COVER	(1)
	7		386055	MANUAL DF SWITCH	(1)
	8		283304	LOCKNUT	(1)
	9		283502	SCREW	2
	10		387236	FACE PLATE	1
	11		386080	HEIGHT ADJUSTING SPRING	1
	12		386520	SCREW	1
	13		387237	BELT COVER (120V)	1
	14		387238	BELT COVER (230V)	1
	15		283355	BAND	1
	16		386347	BELT COVER CAP	1
	17		283502	SCREW	1
	18		283502	SCREW	2
	19		386496	SCREW	1
	20		386454	BELT COVER LOCATING PLATE	1
	21		283502	SCREW	1
	22		386520	SCREW	2
	23		386081	UNDER SIDE COVER	1
	24		283502	SCREW	2
	25		386082	RUBBER WASHER	3
	26		386088	SCREW	3
	27		386963	UNDER SIDE COVER A (ASM.)	1
	28		386964	UNDER SIDE COVER A	(1)
	29		386445	CONNECTOR COVER	(1)
	30		386446	COVER PRESSER SPRING	(1)
	31		283522	SCREW	(1)
	32		386087	HEIGHT ADJUSTING SCREW	1
	33		386965	AUXILIARY BED (ASM.)	1
	34		283522	SCREW	(2)
	35		386083	AUXILIARY BED	(1)
	36		386085	AUXILIARY BED COVER	(1)
	37		386086	AUXILIARY BED SUPPORTING PLATE (ASM.)	(1)
	38		283403	BRUSH	(1)
	39		386466	BOBBIN	(4)
	40		386966	BUTTONHOLE FOOT (ASM.)	(1)
	41		386014	ZIPPER FOOT (ASM.)	(1)
	42		386016	BLINDSTITCH PRESSER FOOT (ASM.)	(1)
	43		386018	OVER CASTING FOOT (ASM.)	(1)
	44		386029	DECORATIVE STITCH FOOT (ASM.)	(1)
	45		283394	SCREWDRIVER	(1)
	46		385098	SEAM RIPPER	(1)

2. TOP BOARD AND MICROCOMPUTER BOARD COMPONENTS



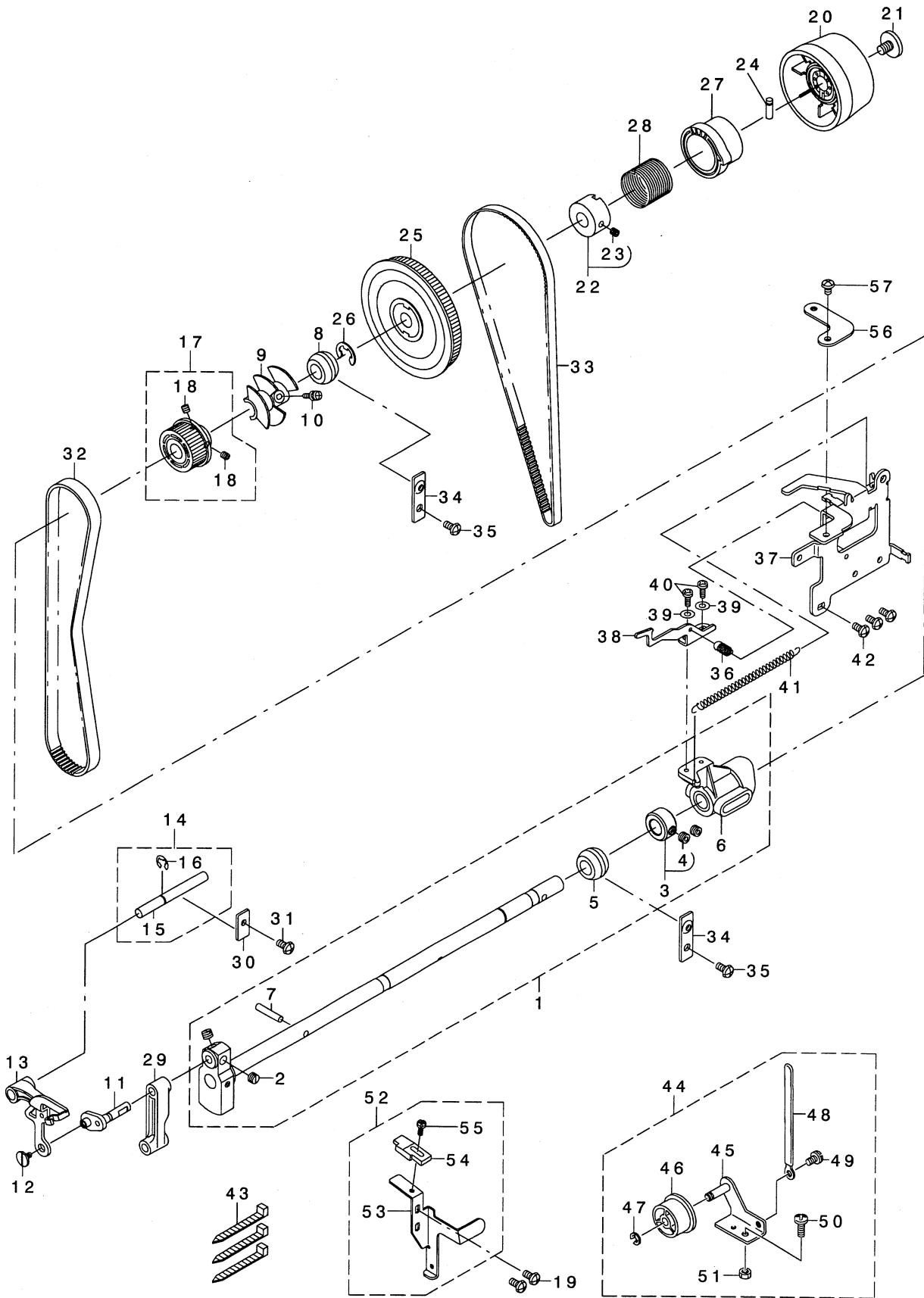
REF	NO.	NOTE	PART NO.	PART DESCRIPTION	Qty
	1		386967	HANDLE (ASM.)	1
	2		386064	HANDLE PLATE (RIGHT) (ASM.)	1
	3		386968	HANDLE PLATE (LEFT) (ASM.)	1
	4		386065	HANDLE PLATE (LEFT)	(1)
	5		386969	LAMP CAUTION LABEL	(1)
	6		283460	E RING	2
	7		387137	SCREW	1
	8		283502	SCREW	2
	9		387239	UP COVER (ASM.)	1
	10		387240	UP COVER	(1)
	11		385125	THREAD GUIDE BASE (ASM.)	(1)
	12		385121	THREAD GUIDE MOUNTING PLATE	(1)
	13		283522	SCREW	(1)
	14		283522	SCREW	(2)
	15		385116	SPOOL	(1)
	16		386487	THREAD STAND SHAFT	(1)
	17		283522	SCREW	(2)
	18		386465	FELT	(1)
	19		386078	THREAD SPOOL CAP	(1)
	20		386077	SPOOL ADJUSTING PLATE	(1)
	21		387138	SCREW	(1)
	22		387241	NEEDLE THREAD GUIDE COVER (A)	(1)
	23		386496	SCREW	1
	24		386520	SCREW	3
	25		387242	M. COMPUTER CIRCUIT BOARD (ASM.) (120V)	1
	26		387243	M. COMPUTER CIRCUIT BOARD (ASM.) (230V)	1
	27		386977	CARD EJECTOR BRACKET (ASM.)	(1)
	28		386978	CARD EJECTOR BRACKET	(1)
	29		386979	CARD EJECTOR LINK A (ASM.)	(1)
	30		386980	CARD EJECTOR LINK B	(1)
	31		283469	SCREW	(1)
	32		386981	CARD EJECTOR LEVER	(1)
	33		386762	WASHER	(1)
	34		283304	NUT	(1)
	35		386982	CARD EJECTOR BUTTON	(1)
	36		283459	E RING	(1)
	37		385281	SPRING	(1)
	38		386976	M. COMPUTER CIRCUIT BOARD INSULATE COVER (230V ONLY)	(1)
	39		283322	CORD HOLDER	(2)
	40		283491	SCREW	(2)
	41		283522	SCREW (230V ONLY)	(2)
	42		387143	SCREW	(2)
	43		387143	SCREW	4
	44		387298	SCREW	2

3. FRONT PANEL AND DISPLAY COVER COMPONENTS



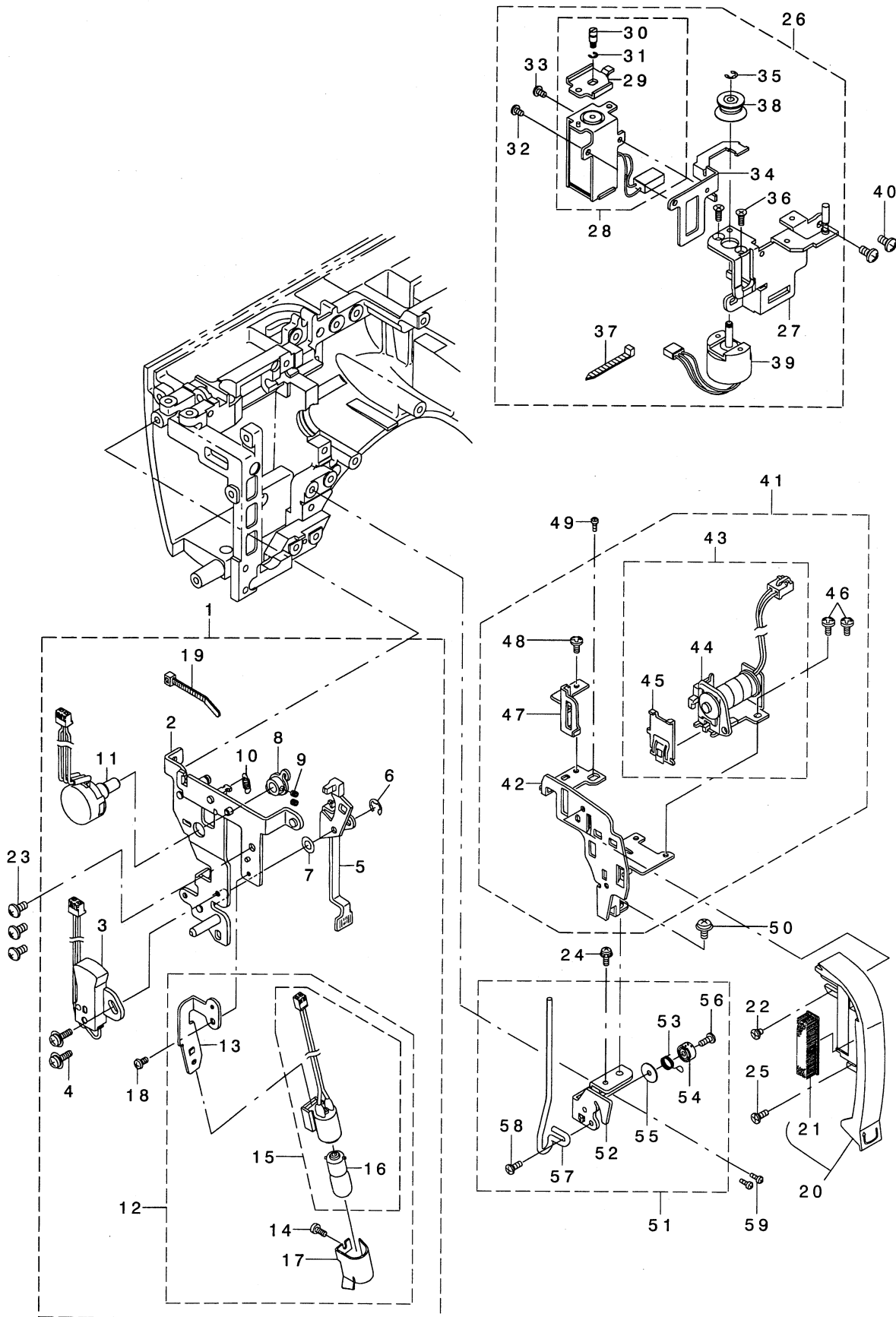
REF	NO.	NOTE	PART NO.	PART DESCRIPTION	Qty
	1		387244	FRONT PANEL (ASM.) "QUANTUM" (120V)	1
	2		387245	FRONT PANEL (ASM.) "PROFESSIONAL" (230V)	1
	3		387246	FRONT PANEL (PARTIAL ASM.) "QUANTUM" (120V)	(1)
	4		387247	FRONT PANEL (PARTIAL ASM.) "PROFESSIONAL" (230V)	(1)
	5		386314	TAKE UP COVER PILE (C)	(2)
	6		387248	PREVENTIVE SEAL	(1)
	7		386313	TAKE UP COVER PILE (A)	(1)
	8		283295	TAKE UP COVER PILE (B)	(1)
	9		386344	FACE REINFORCING PLATE	(1)
	10		386491	SCREW	(2)
	11		387249	DISPLAY BOARD (TOTAL ASM.)	(1)
	12		386997	PATTERN DISPLAY PANEL FIXING PLATE (LOWER)	(1)
	13		387250	TOUCH PANEL (ASM.)	(1)
	14		283488	SCREW	(2)
	15		385340	SCREW	(2)
	16		283335	INDICATOR BOARD PLATE	(1)
	17		386341	TTP ABSORBER (VERTICAL)	(2)
	18		386987	DISPLAY BOARD (ASM.)	(1)
	19		387251	PATTERN DISPLAY PANEL FIXING PLATE (UPPER)	(1)
	20		387252	THREAD CUTTER KEY	(1)
	21		387253	SWITCH CIRCUIT BOARD (ASM.)	(1)
	22		283522	SCREW	(2)
	23		387254	START KEY	(1)
	24		387255	REVERSE KEY	(1)
	25		387256	SLIDE VOLUME FIXING PLATE (TOTAL ASM.)	(1)
	26		283478	SCREW	(2)
	27		387257	SLIDE VOLUME FIXING PLATE	(1)
	28		387258	SLIDE VOLUME (ASM.)	(1)
	29		283335	START SWITCH LEAD TAPE	(2)
	30		283522	SCREW	(4)
	31		386341	TTP ABSORBER (SIDEWAY)	(1)
	32		387259	SLIDE VOLUME KNOB	(1)
	33		283522	SCREW	(2)
	34		387135	SCREW	(2)
	35		387260	UP COVER SUPPORT PLATE	(1)
	36		283522	SCREW	(2)
	37		387261	SLIDE VOLUME CONNECTION PLATE	(1)
	38		283502	SCREW	1
	39		283470	SCREW	1
	40		283502	SCREW	2
	41		283502	SCREW	2

4. MAIN SHAFT AND THREAD PULLING LINK COMPONENTS



REF	NO.	NOTE	PART NO.	PART DESCRIPTION	Qty
	1		386583	MAIN SHAFT (ASM.)	1
	2		283516	SCREW	(2)
	3		386095	MAIN SHAFT THRUST COLLAR (ASM.)	(1)
	4		386523	SCREW	(2)
	5		283045	MAIN SHAFT BUSHING	(1)
	6		386584	DELIVERY CAM (ASM.)	(1)
	7		386587	DELIVERY CAM PIN	(1)
	8		283045	MAIN SHAFT BUSHING	1
	9		387262	MAIN SHAFT DETECTION SHELTER PLATE	1
	10		283473	SCREW	1
	11		386999	NEEDLE BAR CRANK	1
	12		283051	ENDSCREW (LEFT)	1
	13		386247	THREAD TAKE-UP (ASM.)	1
	14		387000	TAKE-UP SUPPORTING SHAFT (ASM.)	1
	15		387001	THREAD TAKE-UP LEVER SUPPORTING SHAFT	(1)
	16		283461	E RING	(1)
	17		386099	MAIN SHAFT PULLEY	1
	18		283511	SCREW	(2)
	19		283502	SCREW	2
	20		386100	HAND WHEEL	1
	21		283054	SCREW	1
	22		386101	HAND WHEEL BUSH (ASM.)	1
	23		283511	SCREW	(1)
	24		386102	HAND WHEEL BUSH PIN	1
	25		386103	MOTOR PULLEY	1
	26		283464	E RING	1
	27		386104	CLUTCH SPRING HOLDER	1
	28		283057	CLUTCH SPRING	1
	29		283061	NEEDLE BAR CRANK ROD	1
	30		283070	SUPPORTING SHAFT RETAINING PLATE	1
	31		283502	SCREW	1
	32		386455	TIMING BELT (LARGE)	1
	33		386456	MOTOR TIMING BELT	1
	34		283064	MAIN SHAFT BUSHING RETAINING PLATE	2
	35		283502	SCREW	2
	36		386588	SPRING	1
	37		386586	LINK MOUNTING PLATE (ASM.)	1
	38		386287	LEVER	1
	39		283526	WASHER	2
	40		283523	SCREW	2
	41		386288	SPRING	1
	42		283502	SCREW	3
	43		283355	BAND	3
	44		386461	IDLER SUPPORT (TOTAL ASM.)	1
	45		386460	IDLER SUPPORT (ASM.)	(1)
	46		386459	IDLER	(1)
	47		283460	E RING	(1)
	48		283323	CORD HOLDER	(1)
	49		386519	SCREW	(1)
	50		385343	SCREW	(1)
	51		386483	NUT	(1)
	52		386464	MAIN SHAFT SUPPORT (ASM.)	1
	53		386463	MAIN SHAFT SUPPORT PLATE	(1)
	54		386462	MAIN SHAFT SUPPORT	(1)
	55		386518	SCREW	(1)
	56		387263	FRONT PANEL SUPPORT PLATE	1
	57		386520	SCREW	1

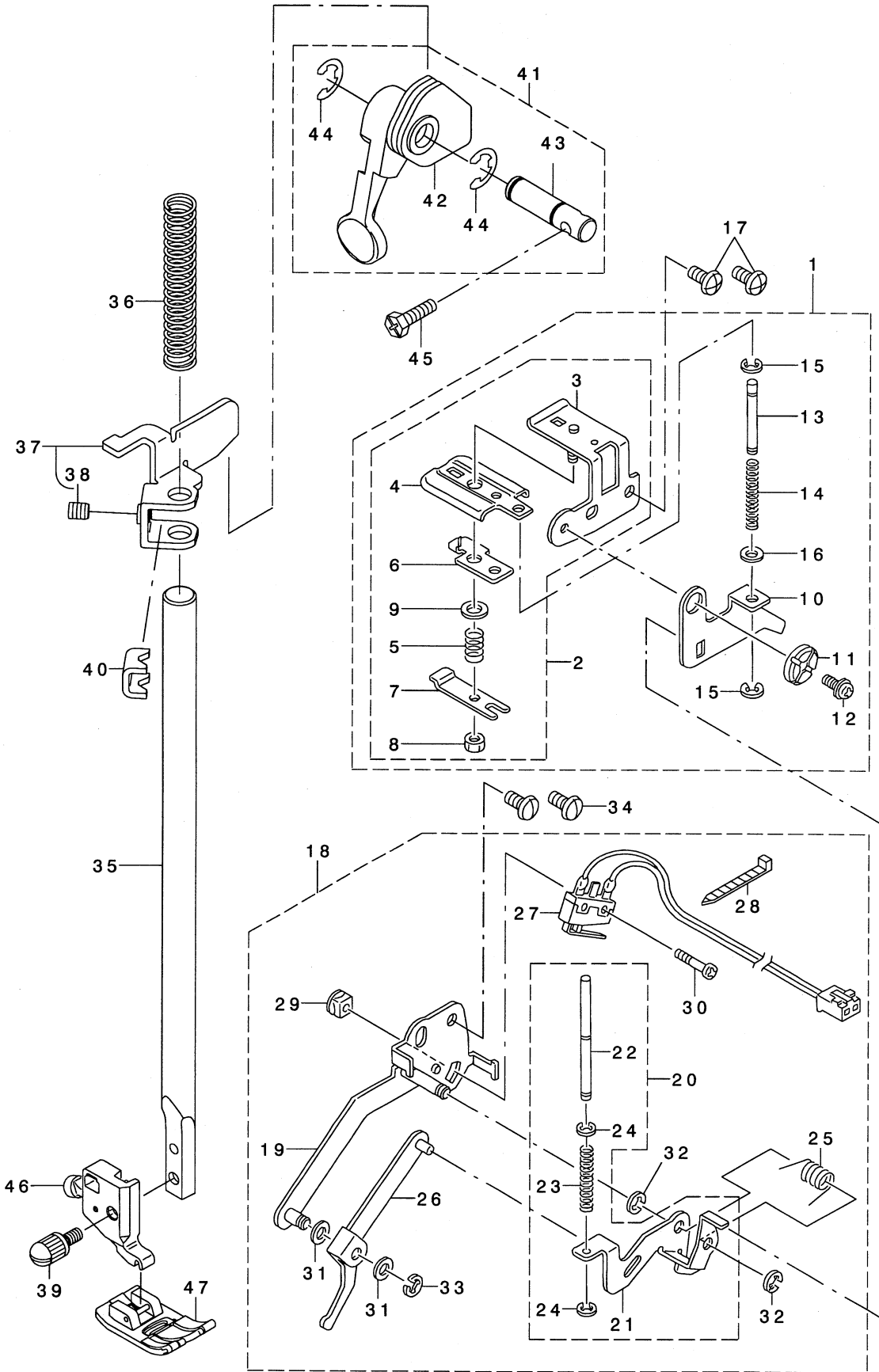
5. SOLENOIDS AND FACE REFERENCE PLATE COMPONENTS



REF	NO.	NOTE	PART NO.	PART DESCRIPTION	Qty
	1		387264	FACE REFERENCE PLATE (TOTAL ASM.)	1
	2		387265	FACE REFERENCE PLATE (ASM.)	(1)
	3		386257	BH SWITCH BOARD (ASM.)	(1)
	4		283469	SCREW	(2)
	5		283228	BUTTONHOLING LEVER (ASM.)	(1)
	6		283460	E RING	(1)
	7		283528	WASHER	(1)
	8		386258	POTENTIOMETER ARM (ASM.)	(1)
	9		283506	SCREW	(2)
	10		386259	SPRING	(1)
	11		386260	POTENTIOMETER (ASM.)	(1)
	12		387266	LAMP PLATE (ASM.)	(1)
	13		387267	LAMP PLATE	(1)
	14		283486	SCREW	(1)
	15		387268	LAMP (ASM.)	(1)
	16		387269	LIGHT BULB	(1)
	17		387270	LAMP COVER	(1)
	18		283491	SCREW	(1)
	19		283355	BAND	(1)
	20		387271	THREAD GUIDE COVER (ASM.) (B)	1
	21		386079	THREAD GUIDE COVER PILE	(1)
	22		386495	SCREW	1
	23		283502	SCREW	3
	24		385388	SCREW	1
	25		283471	SCREW	1
	26		387008	ENCODER SUPPORT PLATE (B)	1
	27		386253	ENCODER SUPPORT PLATE (A)	(1)
	28		387009	SOLENOID NO.1 (ASM.)	(1)
	29	*	387010	SOLENOID NO.1 ARMATURE	(1)
	30	*	283220	SOLENOID NO.1 SHAFT	(1)
	31		283459	E RING	(1)
	32		386517	SCREW	(1)
	33		386514	SCREW	(1)
	34		386256	LEAD WIRE GUIDE PLATE	(1)
	35		283227	ARCH-SHAPPED E RING	(1)
	36		283519	SCREW	(2)
	37		283355	BAND	(1)
	38		283226	ENCORDER PULLEY (ASM.)	(1)
	39		386255	ENCORDER (ASM.)	(1)
	40		283502	SCREW	2
	41		387011	FACE PLATE (TOTAL ASM.)	1
	42		386310	FACE PLATE (ASM.)	(1)
	43		387012	SOLENOID NO.2 (ASM.)	(1)
	44	*	386309	SOLENOID NO.2 (PARTIAL ASM.)	(1)
	45	*	387013	SOLENOID NO.2 AMATURE (ASM.)	(1)
	46		283491	SCREW	(2)
	47		386315	NEEDLE THREAD GUIDE PLATE	(1)
	48		283491	SCREW	(1)
	49		283502	SCREW	1
	50		386494	SCREW	1
	51		386317	FACE PLATE LOCATING PLATE (ASM.)	1
	52		386316	FACE PLATE LOCATING PLATE	(1)
	53		386286	SPRING	(1)
	54		385255	SPRING HOLDER	(1)
	55		385256	WASHER	(1)
	56		283471	SCREW	(1)
	57		386312	NEEDLE THREAD GUIDE BAR	(1)
	58		283470	SCREW	(1)
	59		283502	SCREW	2

Please refer to Remarks of contents for parts marked with (*)

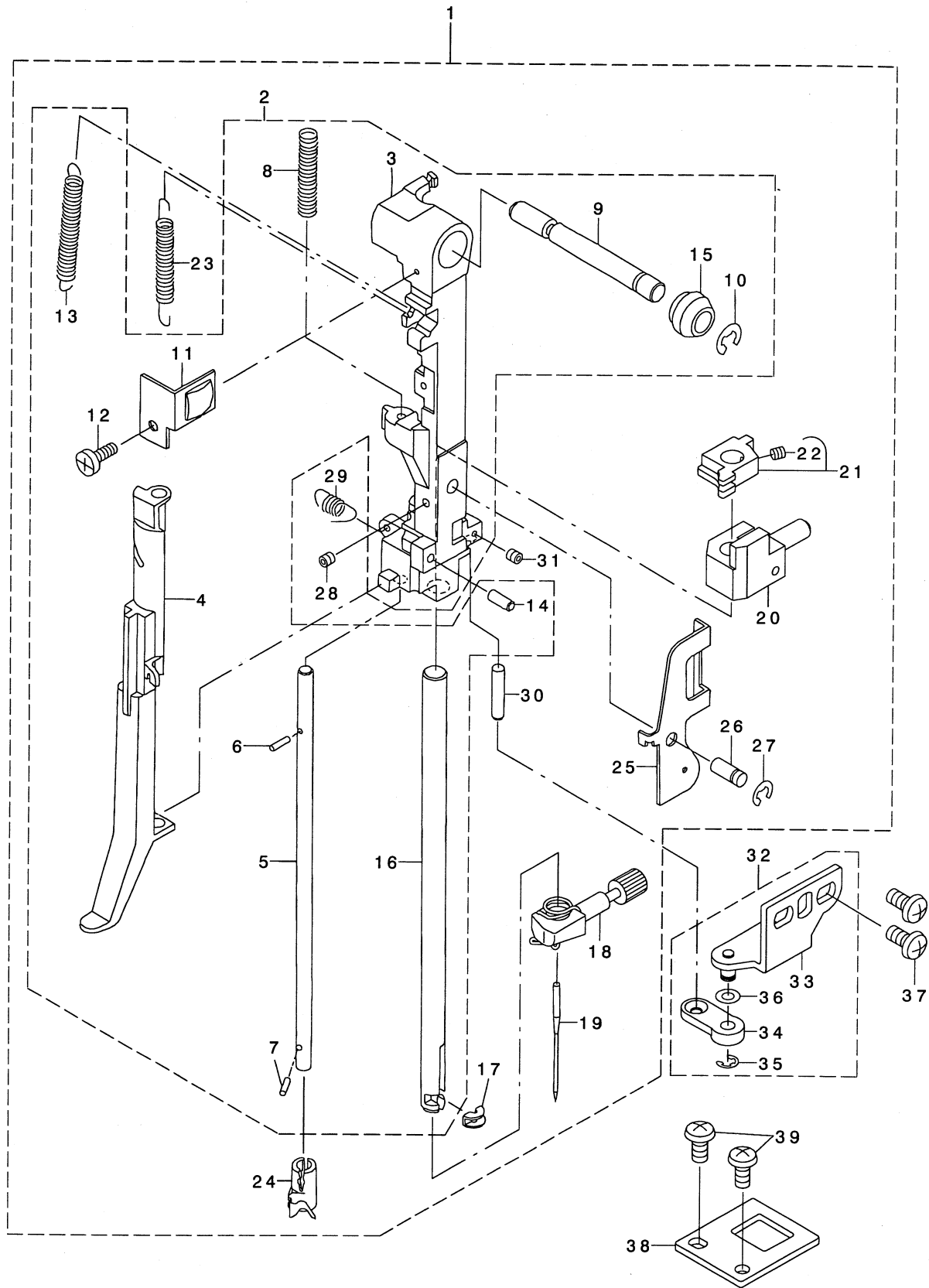
6. BASE TENSION AND PRESSER BAR COMPONENTS



REF	NO.	NOTE	PART NO.	PART DESCRIPTION	Qty
	1		386291	BASE TENSION (TOTAL ASM.)	1
	2		386290	BASE TENSION (B) (ASM.)	(1)
	3	*	386289	BASE TENSION SUPPORT PLATE (A) (ASM.)	(1)
	4	*	386292	BASE TENSION DISK	(1)
	5	*	386293	SPRING	(1)
	6	*	386294	BASE TENSION THREAD PRESSER	(1)
	7	*	386296	BASE TENSION STOPPER	(1)
	8		283449	NUT	(1)
	9		283527	WASHER	(1)
	10		386301	DISK RELEASE LINK	(1)
	11		386268	LINK COLLAR	(1)
	12		283469	SCREW	(1)
	13		386297	DISK RELEASE SHAFT	(1)
	14		386298	DISK RELEASE SPRING	(1)
	15		283458	E RING	(2)
	16		283696	WASHER	(1)
	17		283502	SCREW	2
	18		386300	TENSION RELEASE ATTACHING PLATE (MASTER ASM.)	1
	19		386299	THREAD RELEASE SETTING PLATE (ASM.)	(1)
	20		386303	THREAD RELEASE PLATE (A) (ASM.)	(1)
	21		386302	THREAD PLATE (A)	(1)
	22		283280	TENSION RELEASE BAR	(1)
	23		387015	SPRING	(1)
	24		283458	E RING	(2)
	25		386304	SPRING	(1)
	26		386306	THREAD RELEASE PLATE (B) (ASM.)	(1)
	27		386307	ONE STITCH SW (ASM.)	(1)
	28		283355	BAND	(1)
	29		283217	LOCKNUT	(1)
	30		283485	SCREW	(1)
	31		283527	WASHER	(2)
	32		283459	E RING	(2)
	33		283459	E RING	(1)
	34		283502	SCREW	2
	35		386136	PRESSER BAR	1
	36		387272	PRESSER SPRING	1
	37		386139	PRESSER BAR GUIDE (ASM.)	1
	38		283515	SCREW	(1)
	39		386143	SCREW	1
	40		283097	POSITION BRACKET SETSCREW HOLDER	1
	41		386138	LIFTING LEVER (ASM.)	1
	42		386137	LIFTING LEVER	(1)
	43		386140	LIFTING LEVER SHAFT	(1)
	44		283463	E RING	(2)
	45		386524	SCREW	1
	46		385042	PRESSER HOLDER (ASM.)	1
	47		386004	STANDARD PRESSER FOOT (A)	1

Please refer to Remarks of contents for parts marked with (*)

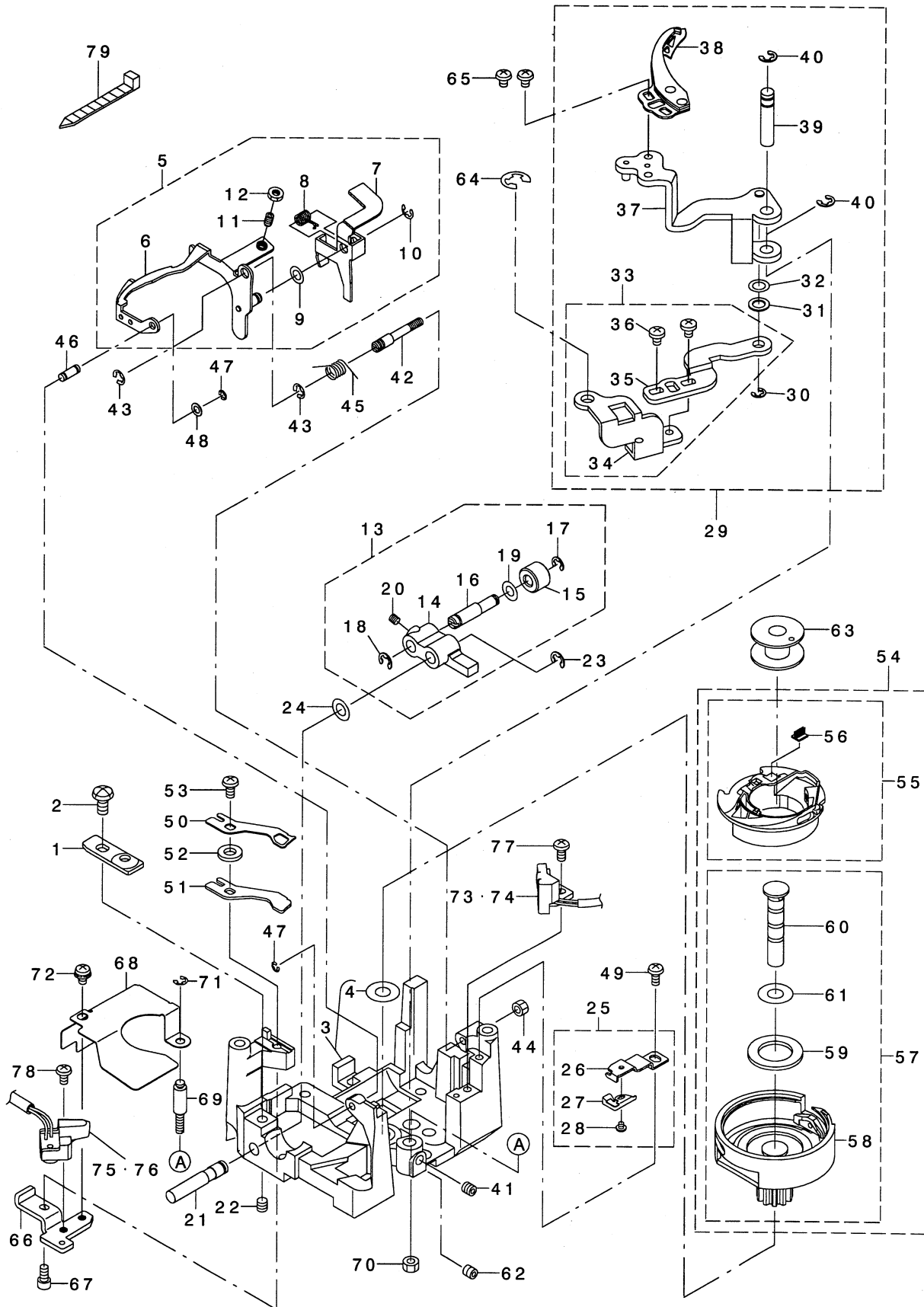
7. NEEDLE BAR AND NEEDLE THREADER COMPONENTS



REF	NO.	NOTE	PART NO.	PART DESCRIPTION	Qty
	1		387273	NEEDLE BAR FRAME (ASM.)	1
	2		387274	NEEDLE BAR FRAME (PARTIAL ASM.)	(1)
	3	*	386109	NEEDLE BAR FRAME	(1)
	4	*	386115	THREADER LEVER	(1)
	5	*	386116	THREADER SHAFT	(1)
	6	*	386098	PIN	(1)
	7	*	386485	PIN	(1)
	8	*	283074	SPRING	(1)
	9		386112	NEEDLE BAR ROCKER BASE SHAFT	(1)
	10		283460	E RING	(1)
	11		386113	SLIDE PLATE	(1)
	12		283487	SCREW	(1)
	13		283073	NEEDLE THREADER SPRING	(1)
	14		386489	STOPPER PIN	(1)
	15		283128	BALL BEARING	(1)
	16		386105	NEEDLE BAR (ASM.)	(1)
	17		283059	NEEDLE MIS-INSERT PREVENTING PLATE	(1)
	18		387017	NEEDLE CLAMP (ASM.)	(1)
	19		283405	NEEDLE 2020, 90/14	(1)
	20		387275	NEEDLE BAR CONNECTION (ASM.)	(1)
	21		387018	NEEDLE BAR GUIDE (ASM.)	(1)
	22		387144	SCREW	(1)
	23		283066	NEEDLE BAR FRAME BASE SPRING	(1)
	24		387019	NEEDLE THREADER HOOK HOLDER (ASM.)	(1)
	25		386117	NEEDLE BAR ROCKER ARM	(1)
	26		386119	NEEDLE BAR ROCKER ARM SHAFT	(1)
	27		283459	E RING	(1)
	28		283506	SCREW	(1)
	29		386120	DUMPER SPRING	(1)
	30		386134	CONNECTING PLATE SHAFT	(1)
	31		386522	SCREW	(1)
	32		387025	ADJUSTMENT PLATE (B) (ASM.)	1
	33		387026	ADJUSTMENT PLATE (A) (ASM.)	(1)
	34		387027	CONNECTING PLATE	(1)
	35		283459	E RING	(1)
	36		283527	WASHER	(1)
	37		283502	SCREW	2
	38		386114	SUPPORT PLATE	1
	39		283502	SCREW	2

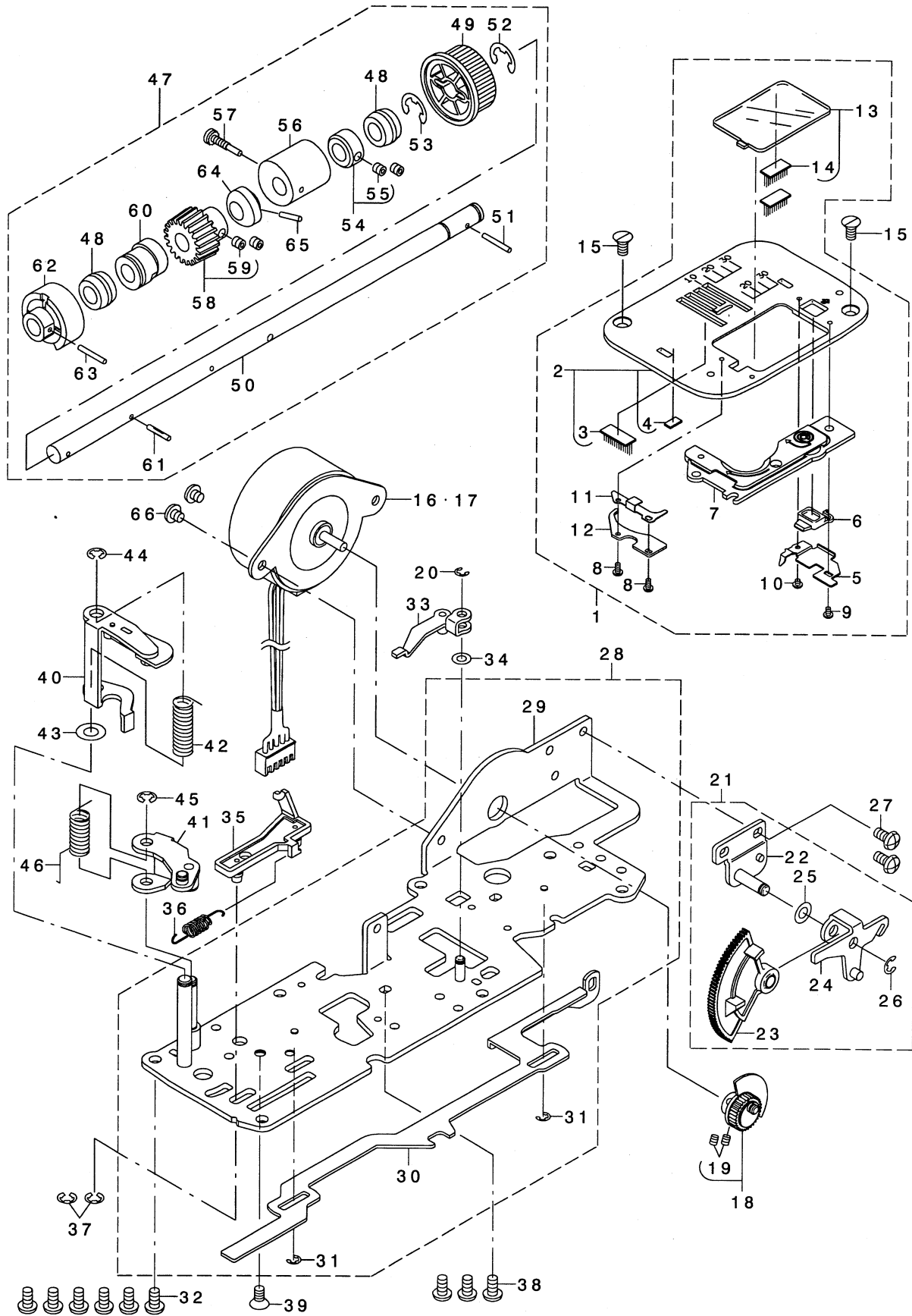
Please refer to Remarks of contents for parts marked with (*)

8. HOOK AND LOOPER COMPONENTS



REF	NO. NOTE	PART NO.	PART DESCRIPTION	Qty
	1	386216	BALL BEARING GUARD PLATE (FRONT)	1
	2	283502	SCREW	1
	3	387028	HOOK LOCATING BASE (PARTIAL ASM.)	1
	4	385352	WASHER	(1)
	5	386193	LOOPER (ASM.) (B)	1
	6	386192	LOOPER (ASM.) (A)	(1)
	7	386194	LOOPER ADJUSTING PLATE	(1)
	8	386198	SPRING	(1)
	9	385349	WASHER	(1)
	10	283459	E RING	(1)
	11	283508	SCREW	(1)
	12	386482	NUT	(1)
	13	386221	FEED LINK (ASM.)	1
	14	386220	FEED LINK	(1)
	15	386224	FEED ROLLER	(1)
	16	386222	FEED ROLLER SHAFT	(1)
	17	283459	E RING	(1)
	18	283460	E RING	(1)
	19	283527	WASHER	(1)
	20	283506	SCREW	(1)
	21	386223	FEED LINK SHAFT	1
	22	283511	SCREW	1
	23	283460	E RING	1
	24	283528	WASHER	1
	25	387029	HOOK TURN STOPPER	1
	26	387030	INTER-HOOK HOLDING PLATE	(1)
	27	385212	INTER-HOOK HOLDING PLATE SPRING	(1)
	28	385335	SCREW	(1)
	29	386237	KNIFE BASE LOCATING PLATE (B) (ASM.)	1
	30	283459	E RING	(1)
	31	386531	WASHER	(1)
	32	386246	SPRING WASHER	(1)
	33	386243	MOVING KNIFE LINK (B) (ASM.)	(1)
	34	386242	MOVING KNIFE LINK (B)	(1)
	35	386241	MOVING KNIFE LINK (A)	(1)
	36	283488	SCREW	(2)
	37	386236	LOCATING PLATE (A) (ASM.)	(1)
	38	386235	MOVING KNIFE (ASM.)	(1)
	39	386244	MOVING KNIFE BASE FITTING PLATE SHAFT	(1)
	40	283460	E RING	(2)
	41	283511	SCREW	1
	42	386197	LOOPER DRIVING SHAFT (RIGHT)	1
	43	283459	E RING	2
	44	283449	NUT	1
	45	386195	SPRING	1
	46	386199	LOOPER DRIVING SHAFT (LEFT)	1
	47	283458	E RING	2
	48	386529	WASHER	1
	49	283491	SCREW	1
	50	386238	KNIFE GUIDE PLATE (UPPER)	1
	51	386239	KNIFE GUIDE PLATE (LOWER)	1
	52	386240	GUIDE PLATE COLLAR	1
	53	385340	SCREW	1
	54	387031	HOOK (ASM.)	1
	55	387032	BOBBIN CASE (ASM.)	(1)
	56	386230	BOBBIN CASE PILE	(1)
	57	387033	ROTATING HOOK (TOTAL ASM.)	(1)
	58	387034	OUTER HOOK (ASM.)	(1)
	59	386228	RUBBER MAGNET	(1)
	60	386215	HOOK SHAFT (ASM.)	(1)
	61	385352	WASHER	(1)
	62	283511	SCREW	1
	63	386466	BOBBIN	1
	64	283460	E RING	1
	65	283488	SCREW	2
	66	387035	GEAR COVER HOLDING PLATE	1
	67	387146	SCREW	1
	68	387036	GEAR COVER	1
	69	387037	GEAR COVER HOLDING SHAFT	1
	70	386481	NUT	1
	71	387038	E RING	1
	72	283469	SCREW	1
	73	387039	BOBBIN THREAD AMOUNT DETECTOR COVER (RECEIVE LIGHT) ASM. (120V)	1
	74	387040	BOBBIN THREAD AMOUNT DETECTOR COVER (RECEIVE LIGHT) ASM. (230V)	1
	75	387041	BOBBIN THREAD AMOUNT DETECTOR COVER (GIVE LIGHT) ASM. (120V)	1
	76	387042	BOBBIN THREAD AMOUNT DETECTOR COVER (GIVE LIGHT) ASM. (230V)	1
	77	387145	SCREW	1
	78	385389	SCREW	1
	79	283355	BAND	1

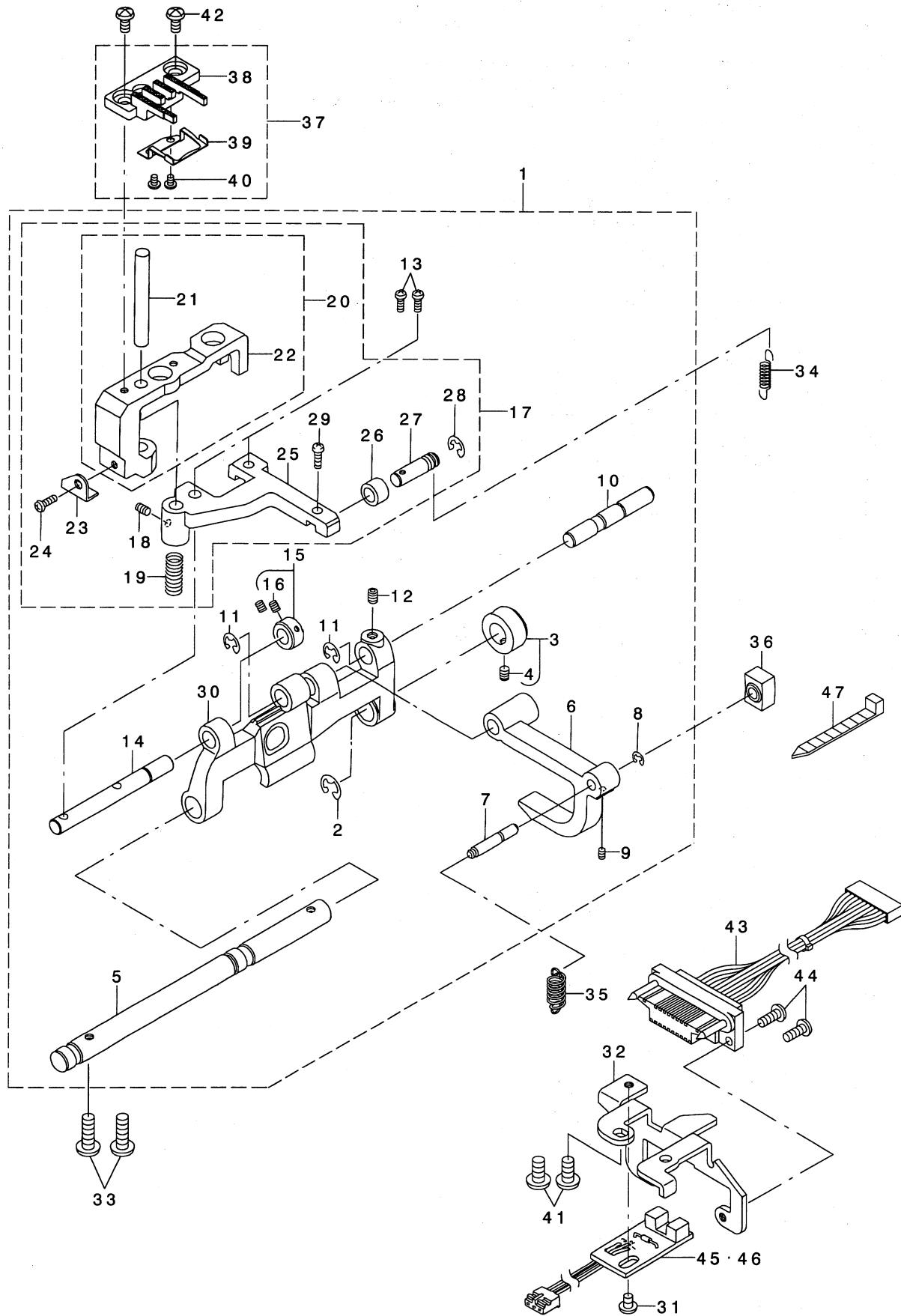
9. THROAT PLATE AND HOOK DRIVING SHAFT COMPONENTS



REF				
NO.	NOTE	PART NO.	PART DESCRIPTION	Qty
1		387043	NEEDLE PLATE (ASM.)	1
2		387044	NEEDLE PLATE (PARTIAL ASM.)	(1)
3		386062	NEEDLE PILE	(1)
4		386229	NEEDLE PLATE RUBBER	(1)
5		386058	HOOK COVER GUARD PLATE (RIGHT)	(1)
6	*	385110	HOOK COVER OPEN/CLOSE BUTTON	(1)
7		386060	BOBBIN CASE COVER	(1)
8		386505	SCREW	(2)
9		386505	SCREW	(1)
10		385335	SCREW	(1)
11		386057	HOOK COVER SPRING	(1)
12		386059	STOPPING PLATE (LEFT)	(1)
13		386002	BOBBIN CASE COVER (ASM.)	(1)
14		386061	HOOK COVER PILE	(2)
15		283477	SCREW	2
16		387276	THREAD CUTTER STM (ASM.) (120V)	1
17		387277	THREAD CUTTER STM (ASM.) (230V)	1
18		386200	FEED STM GEAR (ASM.)	1
19		283506	SCREW	(2)
20		283459	E RING	1
21		386206	GEAR FITTING PLATE (ASM.) (B)	1
22		386205	GEAR FITTING PLATE (ASM.) (A)	(1)
23		386207	THREAD CUTTER GEAR	(1)
24		386209	THREAD CUTTER GEAR LINK	(1)
25		283528	WASHER	(1)
26		283460	E RING	(1)
27		283502	SCREW	2
28		387045	FREE ARM GUARD (ASM.) (B)	1
29		387046	FREE ARM GUARD (ASM.) (A)	(1)
30		386266	KNIFE RELEASE LINK	(1)
31		283459	E RING	(2)
32		283502	SCREW	6
33		386234	LOOPER RELEASE PLATE (ASM.)	1
34		283527	WASHER	1
35		386232	DF LINK	1
36		386233	SPRING	1
37		283460	E RING	2
38		283502	SCREW	3
39		386504	SCREW	1
40		386264	KNIFE RELEASE PLATE (ASM.)	1
41		386262	KNIFE DRIVING LINK (ASM.)	1
42		386265	KNIFE RELEASE PLATE SPRING	1
43		385352	WASHER	1
44		283460	E RING	1
45		283460	E RING	1
46		386263	KNIFE DRIVING LINK SPRING	1
47		386213	HOOK DRIVING SHAFT (ASM.)	1
48		283186	HOOK DRIVING SHAFT BALL BEARING	(2)
49		386214	LOWER SHAFT PULLEY	(1)
50		386212	HOOK DRIVING SHAFT	(1)
51		283457	PULLEY PIN	(1)
52		283462	E RING	(1)
53		283462	E RING	(1)
54		385137	THRUST COLLAR (ASM.)	(1)
55		283511	SCREW	(2)
56		386151	FEED CAM	(1)
57		283048	SCREW	(1)
58		385207	HOOK DRIVING GEAR	(1)
59		283511	SCREW	(2)
60		386190	FEED CAM	(1)
61		386191	CAM GUIDE PIN	(1)
62		386261	THREAD CUTTER CAM	(1)
63		385332	HOOK DRIVING SHAFT PULLEY PIN	(1)
64		386196	LOOPER CAM	(1)
65		385332	HOOK DRIVING SHAFT PULLEY PIN	(1)
66		283497	SCREW	2

Please refer to Remarks of contents for parts marked with (*)

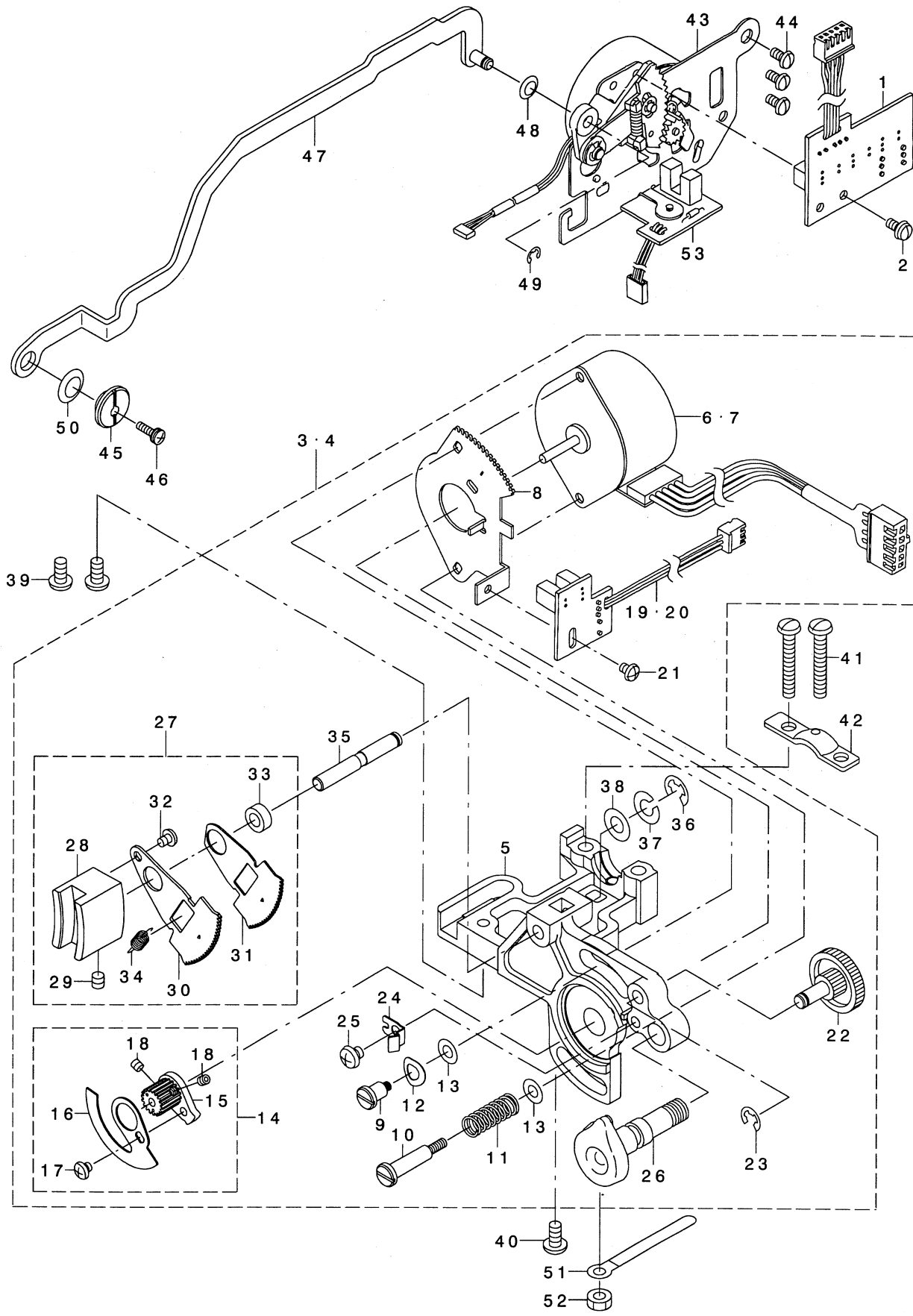
10. FEED MECHANISM COMPONENTS



REF	NO.	NOTE	PART NO.	PART DESCRIPTION	Qty
	1		387278	FEED ARM (ASM.)	1
	2		283462	E RING	(1)
	3		385137	THRUST COLLAR (ASM.)	(1)
	4		283511	SCREW	(2)
	5		386146	FEED ARM SHAFT	(1)
	6	*	386162	FORKED ROD	(1)
	7		386170	SLIDE BLOCK SHAFT	(1)
	8		283459	E RING	(1)
	9		283506	SCREW	(1)
	10		386157	FORKED ROD SHAFT	(1)
	11		283460	E RING	(2)
	12		283511	SCREW	(1)
	13		283491	SCREW	(2)
	14		387279	FEED BAR LINK SHAFT	(1)
	15		386164	FEED BAR LINK THRUST COLLAR (ASM.)	(1)
	16		283506	SCREW	(2)
	17		386149	FEED BAR (ASM.)	(1)
	18	*	283506	SCREW	(1)
	19	*	386155	SPRING	(1)
	20		386148	FEED BAR (PARTIAL ASM.)	(1)
	21	*	386156	FEED BAR GUIDE SHAFT	(1)
	22	*	386147	FEED BAR	(1)
	23	*	386161	FEED BAR ROLLER GUARD PLATE	(1)
	24	*	283488	SCREW	(1)
	25	*	386150	FEED BAR LINK	(1)
	26		386152	FEED BAR LINK ROLLER	(1)
	27		386153	FEED BAR LINK ROLLER SHAFT	(1)
	28		283459	E RING	(1)
	29		283491	SCREW	(1)
	30	*	387280	FEED ARM	(1)
	31		283488	SCREW	1
	32		387047	FEED DETECTION BOARD FITTING PLATE	1
	33		283503	SCREW	2
	34		386154	LINK SPRING	1
	35		386163	SPRING	1
	36		386169	FEED REGULATOR SLIDE BLOCK	1
	37		386175	FEED DOG (ASM.)	1
	38		386174	FEED DOG	(1)
	39		386176	PLATE SPRING	(1)
	40		385336	SCREW	(2)
	41		283502	SCREW	2
	42		283491	SCREW	2
	43		387048	DRIVER BAND WIRE (ASM.)	1
	44		385340	SCREW	2
	45		386210	FEED DETECTION BOARD (ASM.) (120V)	1
	46		386578	FEED DETECTION BOARD (ASM.) (230V)	1
	47		283355	BAND	1

Please refer to Remarks of contents for parts marked with (*)

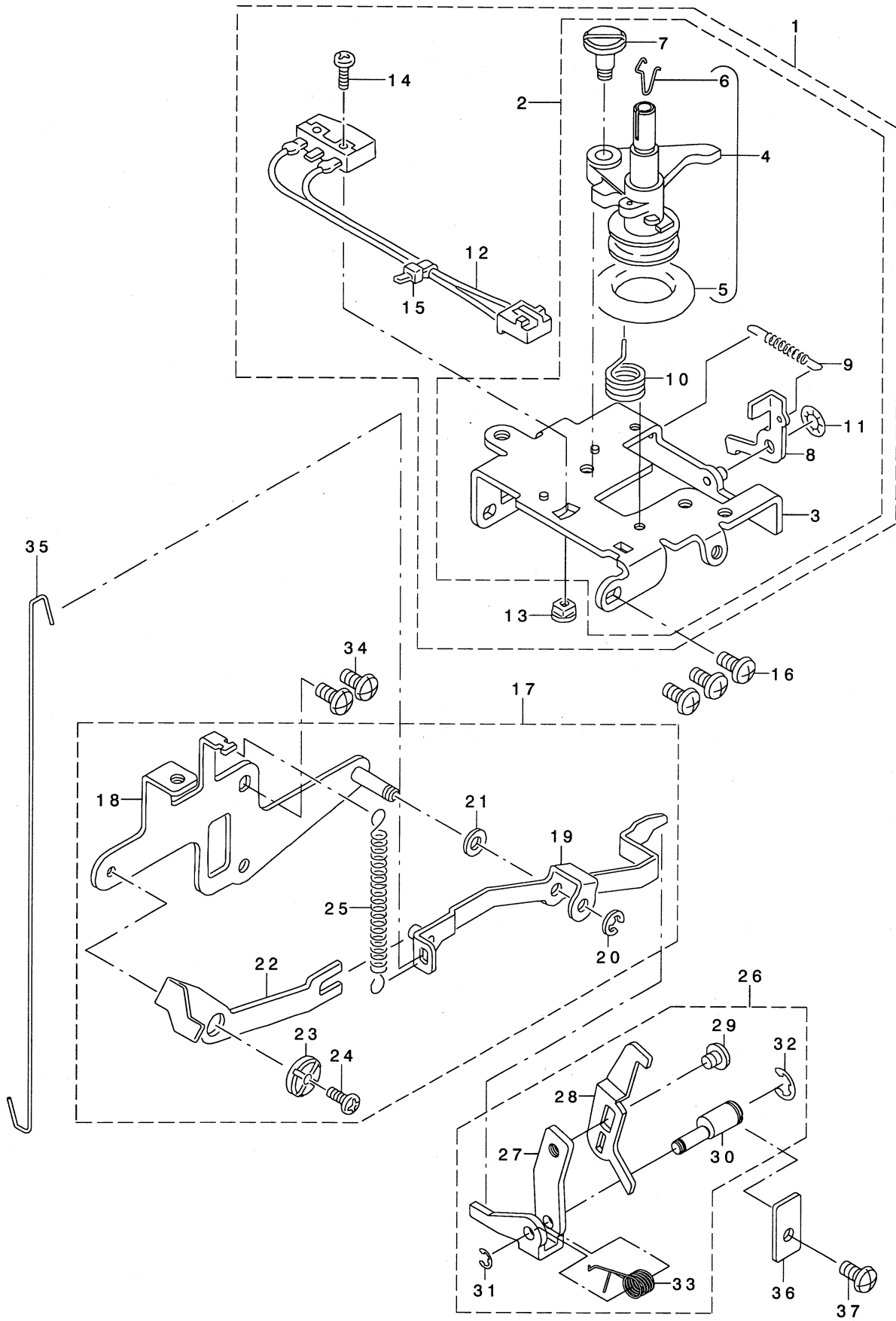
11. FEED STM AND NEEDLE VIBRATION STM COMPONENTS



REF	NO.	NOTE	PART NO.	PART DESCRIPTION	Qty
	1		386357	MAIN SHAFT DETECTOR CIRCUIT BOARD (ASM.)	1
	2		283470	SCREW	1
	3		386179	FEED STM MOUNTING BASE (ASM.) (120V)	1
	4		386551	FEED STM MOUNTING BASE (ASM.) (230V)	1
	5		386178	FEED STM MOUNTING BASE	(1)
	6	*	387281	FEED STM (120V)	(1)
	7	*	387282	FEED STM (230V)	(1)
	8		387049	FEED STM ADJUSTING PLATE	(1)
	9		386183	HINGE SCREW A	(1)
	10		386184	HINGE SCREW B	(1)
	11		386188	STM SPRING	(1)
	12		283215	SPRING WASHER	(1)
	13		386591	WASHER	(2)
	14	*	386182	STM GEAR (ASM.)	(1)
	15	*	386250	STM GEAR	(1)
	16	*	386181	FEED STM SHELTER PLATE	(1)
	17		386507	SCREW	(1)
	18		386522	SCREW	(2)
	19		386180	FEED DETECTION BOARD (ASM.) (120V)	(1)
	20		386577	FEED DETECTION BOARD (ASM.) (230V)	(1)
	21		283488	SCREW	(1)
	22		387050	INTERMEDIATE GEAR	(1)
	23		283460	E RING	(1)
	24		386186	FEED DIAL PLATE SPRING	(1)
	25		283497	SCREW	(1)
	26		387051	ADJUSTMENT DIAL	(1)
	27		386168	FEED REGULATOR (ASM.)	(1)
	28		386166	FEED REGULATOR	(1)
	29		283511	SCREW	(1)
	30		386172	FEED REGULATOR GEAR A	(1)
	31		386173	FEED REGULATOR GEAR B	(1)
	32		283488	SCREW	(1)
	33		386167	COLLAR	(1)
	34		385186	SPRING	(1)
	35		386171	FEED REGULATOR SHAFT	(1)
	36		283460	E RING	(1)
	37		386591	WASHER	(1)
	38		283215	SPRING WASHER	(1)
	39		283502	SCREW	2
	40		283502	SCREW	1
	41		386521	SCREW	2
	42		386217	BALL BEARING GUARD PLATE (REAR)	1
	43		387283	NEEDLE BAR ROCKING STM MOUNTING BASE (ASM.)	1
	44		283502	SCREW	3
	45		387053	ECCENTRIC SHAFT	1
	46		283471	SCREW	1
	47		386121	NEEDLE BAR ROCKER SHAFT (ASM.)	1
	48		385157	SPRING WASHER	1
	49		283459	E RING	1
	50		386585	WASHER	1
	51		283322	CORD HOLDER (230V)	1
	52		283451	NUT (230V)	1
	53		386539	NEEDLE BAR ROCKING DETECTOR CIRCUIT BOARD (ASM.)	1

Please refer to Remarks of contents for parts marked with (*)

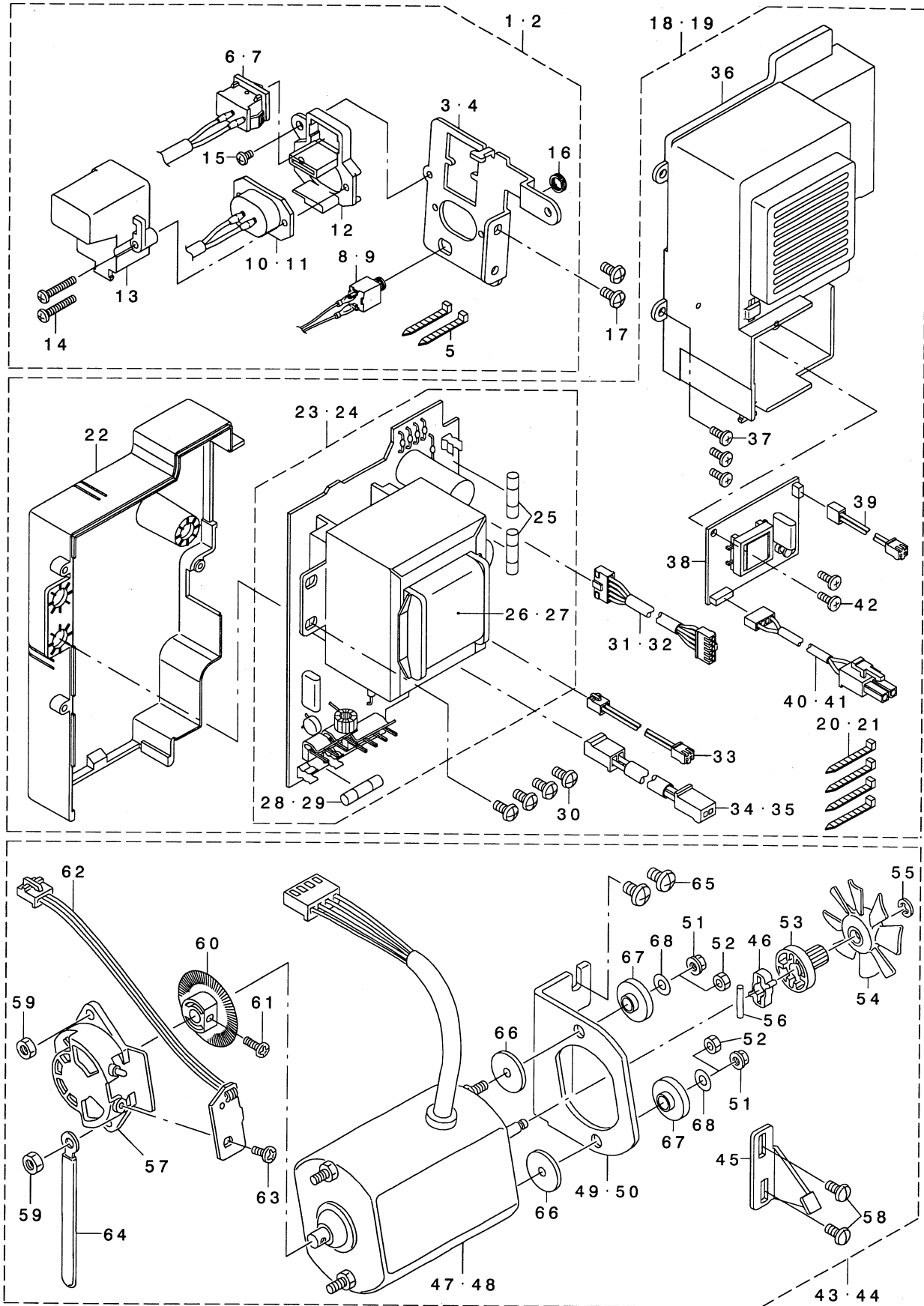
12. THREAD CLUTCH AND SPOOL COMPONENTS



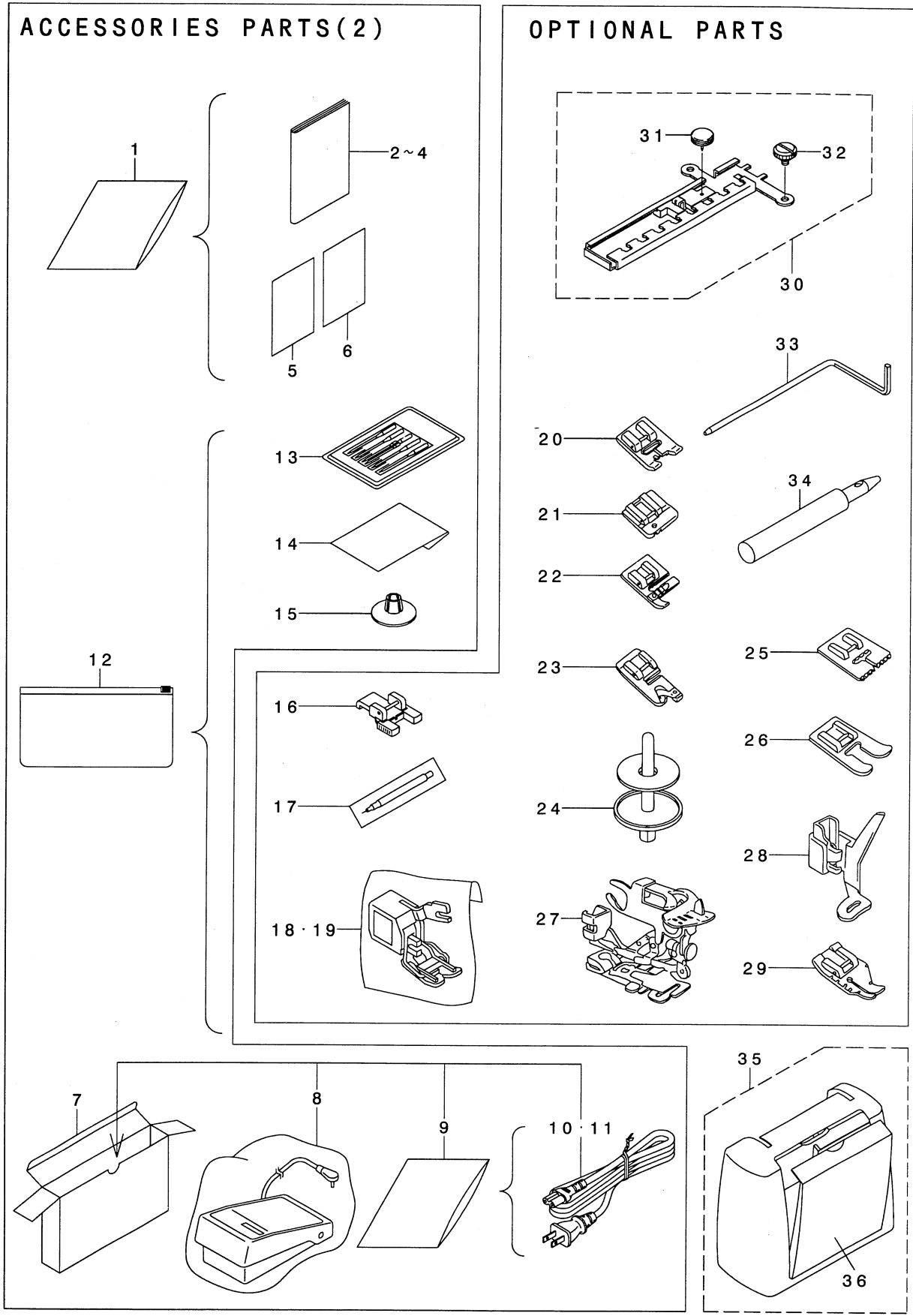
REF				
NO.	NOTE	PART NO.	PART DESCRIPTION	Qty
1		387284	BOBBIN WINDER COMPONENT MOUNTING BASE (TOTAL ASM.)	1
2		387285	SPOOL (PARTIAL ASM.)	(1)
3	*	387286	SPOOL RESET (ASM.)	(1)
4	*	387287	SPOOL PLATE (ASM.)	(1)
5		283308	RUBBER RING	(1)
6		386325	SPRING	(1)
7		386321	HINGE SCREW	(1)
8		386323	CLUTCH DISK	(1)
9		283306	CLUTCH SPRING	(1)
10		386324	SPRING	(1)
11		283304	NUT	(1)
12		386326	BOBBIN WINDER SW (ASM.)	(1)
13		283217	NUT	(1)
14		283485	SCREW	(1)
15		283355	WIRE BAND	(1)
16		283502	SCREW	(3)
17		386274	FITTING PLATE (TOTAL ASM.)	(1)
18		386273	FITTING PLATE (ASM.)	(1)
19		386275	THREAD CLUTCH LINK B (ASM.)	(1)
20		283459	E RING	(1)
21		283527	WASHER	(1)
22		386276	THREAD RELEASE LINK	(1)
23		386268	ECCENTRIC COLLAR	(1)
24		283470	SCREW	(1)
25		386269	SPRING	(1)
26		386272	THREAD CUTTER CLUTCH DISK (ASM.)	1
27	*	386271	THREAD CUTTER CLUTCH DISK	(1)
28	*	386277	THREAD CLUTCH DISK CONTACT	(1)
29		283497	SCREW	(1)
30	*	386270	THREAD CLUTCH DISK SHAFT	(1)
31		283459	E RING	(1)
32		283461	E RING	(1)
33	*	386267	SPRING	(1)
34		283502	SCREW	2
35		386278	THREAD CLUTCH LINK A	1
36		283070	SUPPORTING SHAFT RETAINING PLATE	1
37		283502	SCREW	1

Please refer to Remarks of contents for parts marked with (*)

13. ELECTRIC POWER BOARD AND MOTOR COMPONENTS



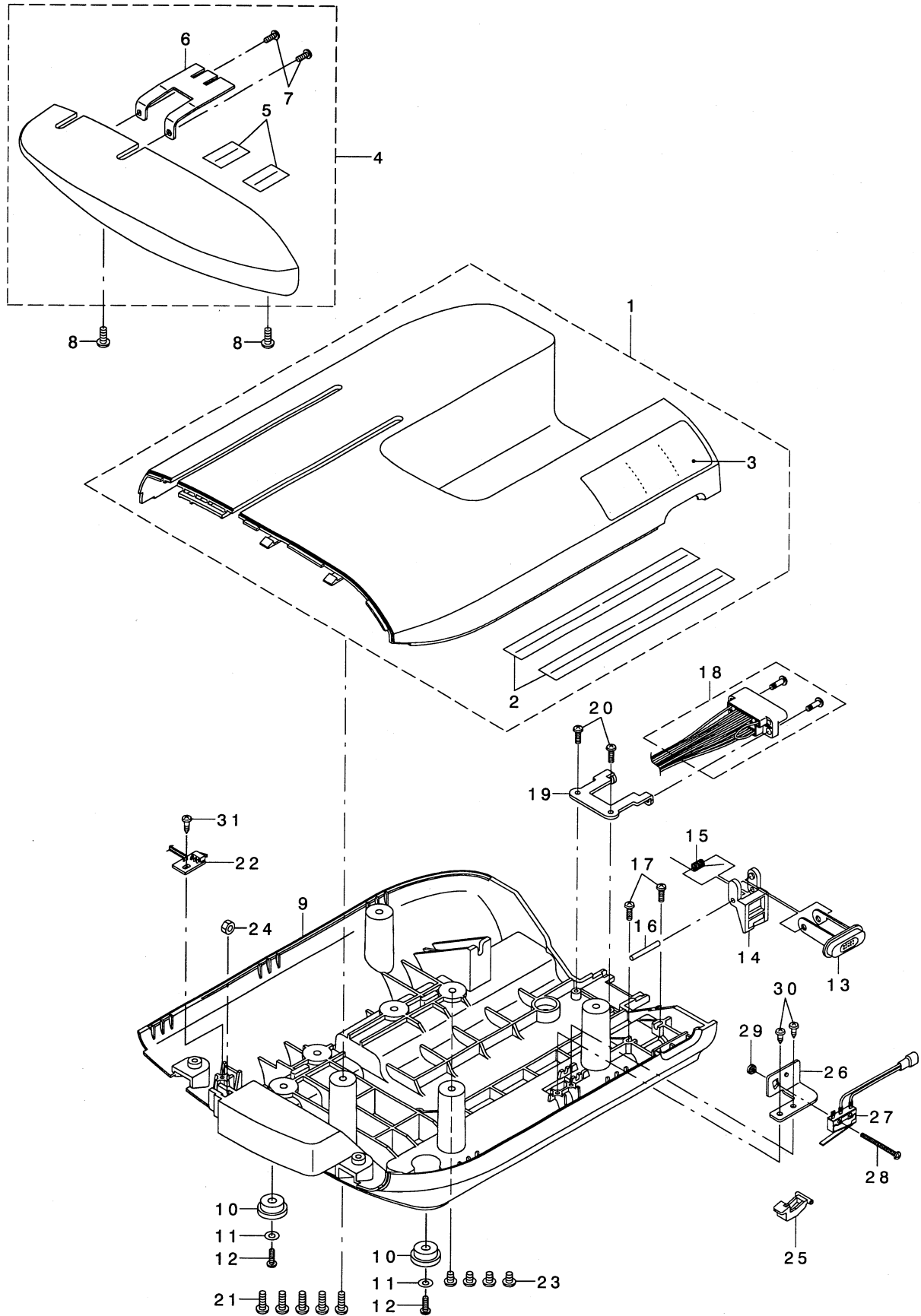
REF	NO.	NOTE	PART NO.	PART DESCRIPTION	Qty
	1		386710	POWER MOUNTING BASE (ASM.) (120V)	1
	2		386553	POWER MOUNTING BASE (ASM.) (230V)	1
	3		386367	POWER MOUNTING BASE (120V)	(1)
	4		386566	POWER MOUNTING BASE (230V)	(1)
	5		283355	BAND	(2)
	6		386358	POWER SW (ASM.) (120V)	(1)
	7		283554	POWER SW (ASM.) (230V)	(1)
	8		386352	SPEED CONTROLLER SOCKET (ASM.) (120V)	(1)
	9		386556	SPEED CONTROLLER SOCKET (ASM.) (230V)	(1)
	10		386709	POWER CORD INLET (ASM.) (120V)	(1)
	11		386560	POWER CORD INLET (ASM.) (230V)	(1)
	12		386369	POWER SWITCH BOX (A)	(1)
	13		386711	POWER SWITCH BOX (B)	(1)
	14		387147	SCREW	(2)
	15		386516	SCREW	(1)
	16		386589	NUT (230V ONLY)	(1)
	17		283502	SCREW	2
	18		387054	ELECTRICAL COMPONENT BOX (TOTAL ASM.) (120V)	1
	19		387057	ELECTRICAL COMPONENT BOX (TOTAL ASM.) (230V)	1
	20		283355	BAND (120V)	(3)
	21		283355	BAND (230V)	(4)
	22		386353	ELECTRICAL COMPONENT BOX (LOWER)	(1)
	23		386708	ELECTRIC POWER BOARD (ASM.) (120V)	(1)
	24		386579	ELECTRIC POWER BOARD (ASM.) (230V)	(1)
	25		386478	FUSE (3.15A) (120V/230V)	(2)
	26		386712	TRANSFORMER (120V)	(1)
	27		386580	TRANSFORMER (230V)	(1)
	28		386477	FUSE (5A) (120V)	(1)
	29		283689	FUSE (3.15A) (230V)	(1)
	30		283502	SCREW	(4)
	31		386365	CONNECTING CABLE (ASM.) (120V)	(1)
	32		386574	CONNECTING CABLE (ASM.) (230V)	(1)
	33		387055	MDR LEAD WIRE (ASM.)	(1)
	34		386362	27V CONNECTING CABLE (ASM.) (120V)	(1)
	35		386573	27V CONNECTING CABLE (ASM.) (230V)	(1)
	36		386355	ELECTRIC DEVICE COVER (UPPER)	(1)
	37		283522	SCREW	(3)
	38		387056	INVERTER BOARD (ASM.)	(1)
	39		387057	INVERTER CONNECTOR A (ASM.)	(1)
	40		387058	INVERTER CONNECTOR (ASM.) (120V)	(1)
	41		387059	INVERTER CONNECTOR (ASM.) (230V)	(1)
	42		283522	SCREW	(2)
	43		387288	MOTOR (B) (ASM.) (120V)	1
	44		387289	MOTOR (B) (ASM.) (230V)	1
	45		386590	BELT GUIDE	(1)
	46		387132	MOTOR ANTI-VIBRATION RUBBER	(1)
	47		387290	MOTOR (A) (ASM.) (120V)	(1)
	48		387291	MOTOR (A) (ASM.) (230V)	(1)
	49		387062	MOTOR BRACKET (120V)	(1)
	50		386570	MOTOR BRACKET (230V)	(1)
	51		387152	NUT (120V)	(2)
	52		283451	NUT (230V)	(2)
	53		387063	MOTOR SHAFT PULLEY	(1)
	54		387064	MOTOR SHAFT PULLEY FLANGE	(1)
	55		283459	ARCH-SHAPED E RING	(1)
	56		283457	PULLEY PIN	(1)
	57		386457	MOTOR BOARD FITTING BASE	(1)
	58		283502	SCREW	(2)
	59		283451	NUT	(2)
	60		387292	SHIELDING PLATE	(1)
	61		283473	SCREW	(1)
	62		387066	MP DETECTION BOARD (ASM.)	(1)
	63		283522	SCREW	(1)
	64		283323	CORD HOLDER (120V)	(1)
	65		385345	SCREW	(2)
	66		283665	MOTOR INSULATE RING (230V)	(2)
	67		283666	MOTOR INSULATE BUSHING (230V)	(2)
	68		283697	WASHER	(2)



REF					
NO.	NOTE	PART NO.	PART DESCRIPTION		Qty
1		386472	VINYL BAG		1
2		387293	INSTRUCTION MANUAL---ENG		1
3		387294	INSTRUCTION MANUAL---FRENCH		1
4		387295	INSTRUCTION MANUAL---ITALIAN		1
5		386475	REGISTRATION CARD---USA ONLY		1
6		386474	WARRANTY CARD---USA		1
7		283688	SPEED CONTROLLER BOX (230V ONLY)		1
8		385091	CONTROLLER (ASM.)		1
9		386479	POWER CORD BAG		1
10		386717	ELECTRIC POWER CORD (ASM.)---UL		1
11		283545	ELECTRIC POWER CORD (ASM.)---CEE		1
12		283676	ACCESSORY BAG		1
13		386033	NEEDLE PACK		1
14		283680	WING NEEDLE		1
15		386003	SMALL SPOOL CAP (230V)		1
16		283677	BUTTON SEWING FOOT		1
17		283425	ASSISTANT MARKER		1
18		386020	EVEN FEED FOOT (ASM.)		1
19		386699	EVEN FEED FOOT (ASM.)---FRA ONLY		1
20		386027	TRANSPARENT BUTTONHOLE FOOT (ASM.)		1
21		386015	INVISIBLE ZIPPER FOOT (ASM.)		1
22		386013	CORDING FOOT (ASM.)		1
23		386011	ROLLED HEMMING FOOT (ASM.)		1
24		386019	AUXILIARY SPOOL PIN AND FELT		1
a) 25		386022	PINTUCK FOOT		1
b) 26		386023	OPEN TOE EMBROIDERY FOOT		1
27		386028	RUFFLER PRESSER FOOT		1
28		386017	DARNING FOOT (ASM.)		1
29		386005	QUILTER'S FOOT		1
30		386030	CIRCLE STITCH RULER (ASM.)		1
31		386031	TACK		(1)
32		386032	SCREW OF RULER		(1)
33		283401	QUILT GUIDE		1
34		283392	EYELET PUNCH		1
35		387067	CASE (ASM.)---USA/TWN OPTIONAL PARTS		1
36		386593	LID---USA/TWN OPTIONAL PARTS		(1)
	a)	386022	ORDERS TO TAIWAN SINGER		
	b)	386023	ORDERS TO TAIWAN SINGER		

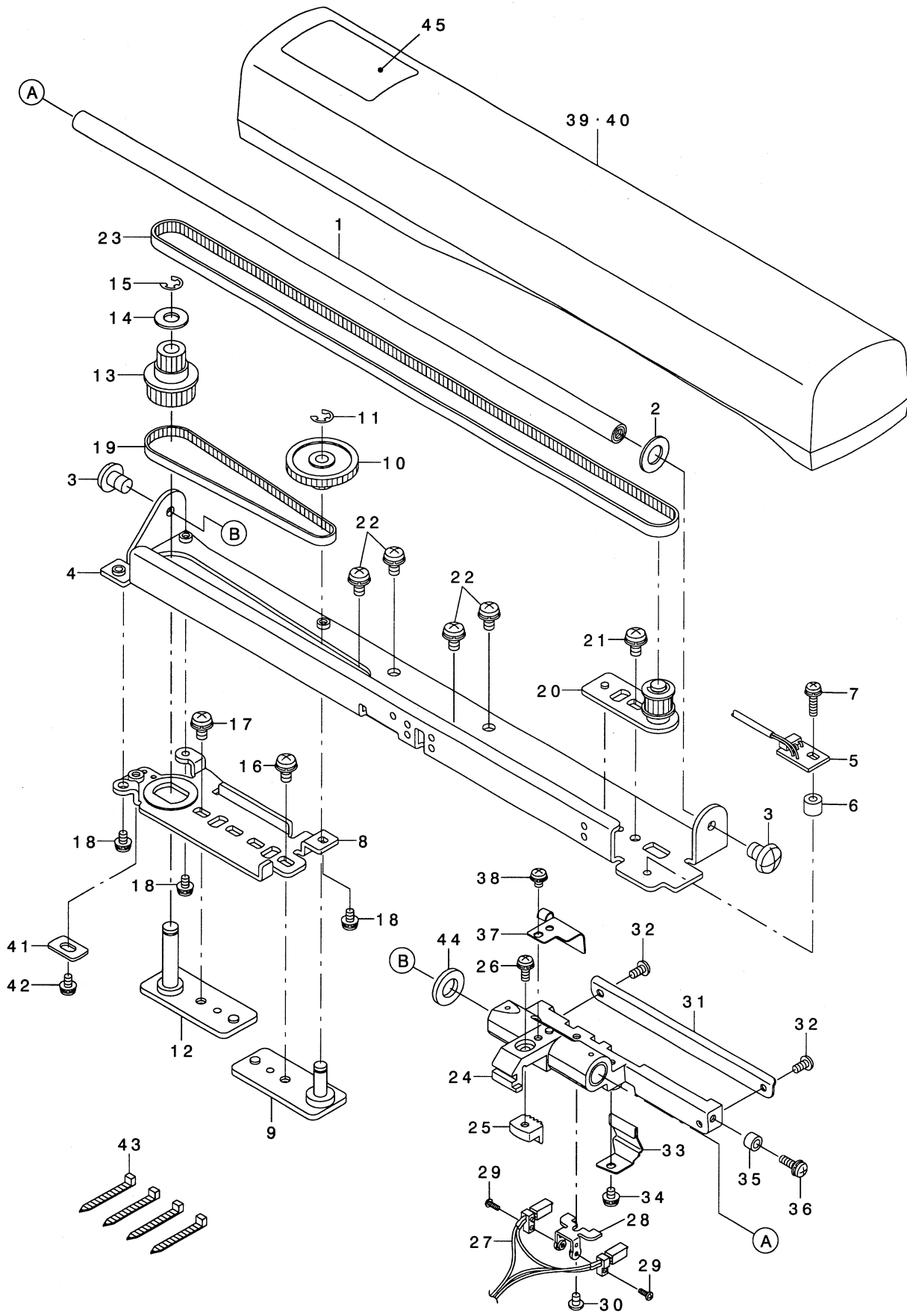
EMBROIDERY UNIT COMPONENTS

15. UPPER COVER AND BOTTOM COVER COMPONENTS



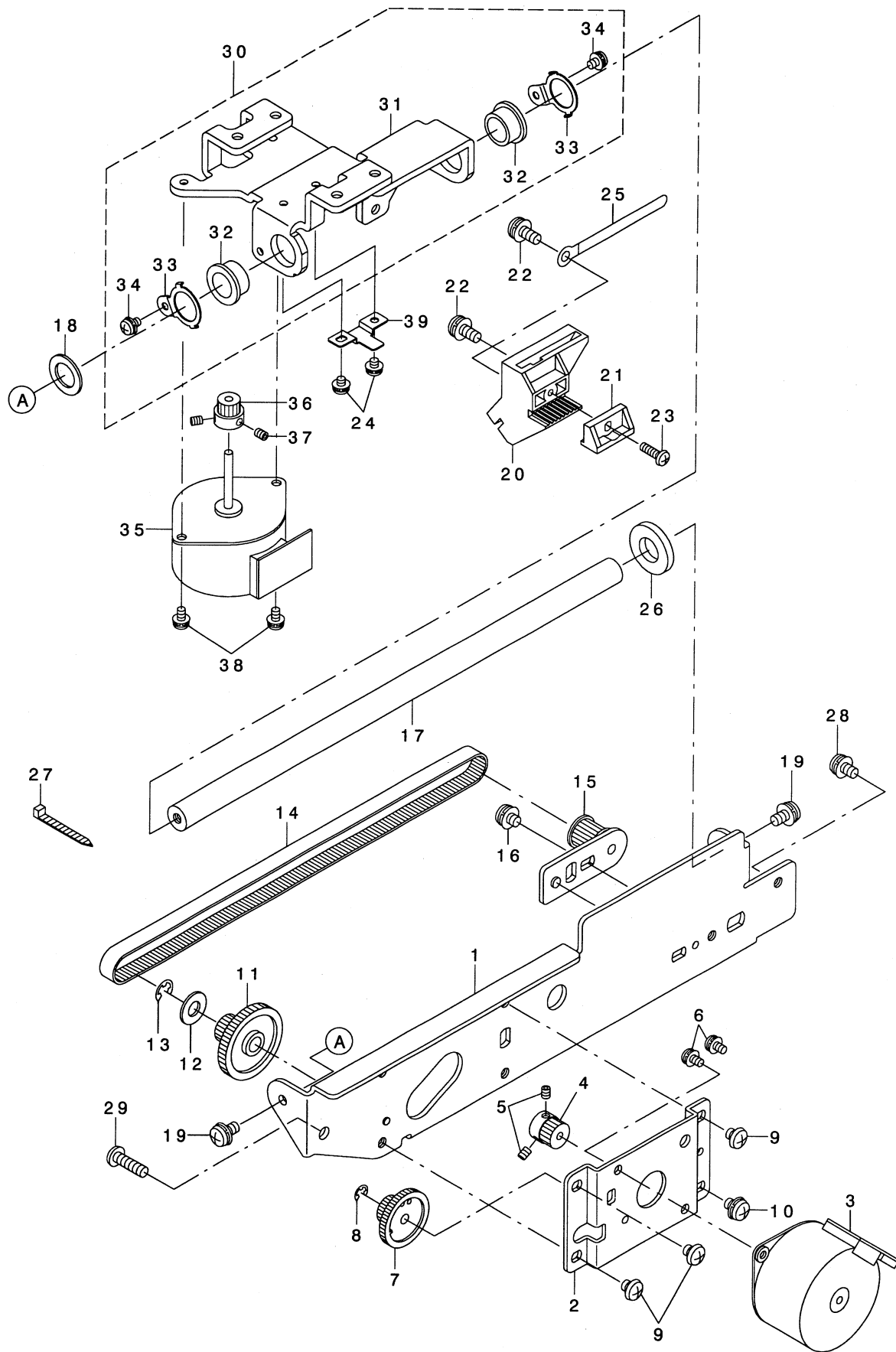
REF	NO.	NOTE	PART NO.	PART DESCRIPTION	Qty
	1		387068	UPPER COVER (ASM.)	1
	2		387069	DUST PREVENTIVE SHEET A	(2)
	3		387070	CAUTION SEAL	(1)
	4		387071	SIDE COVER (ASM.)	1
	5		387072	DUST PREVENTIVE SHEET B	(2)
	6		387073	UPPER COVER REINFORCEMENT PLATE	(1)
	7		283522	SCREW	(2)
	8		283524	SCREW	2
	9		387296	BOTTOM COVER	1
	10		386082	RUBBER WASHER	2
	11		386762	WASHER	2
	12		283523	SCREW	2
	13		387075	EMBROIDERY UNIT REMOVAL BUTTON	1
	14		387076	FIXATION HOOK	1
	15		387077	FIXATION HOOK SPRING	1
	16		387135	FIXATION HOOK SHAFT	1
	17		283523	SCREW	2
	18		387297	DRIVER CABLE (ASM.) (WITH SCREW)	1
	19		387079	EMBROIDERY UNIT CABLES HOLDING PLATE	1
	20		283523	SCREW	2
	21		387145	SCREW	5
	22		387303	X DETECTOR CIRCUIT BOARD (ASM.)	1
	23		283501	SCREW	4
	24		283451	NUT	1
	25		387299	MODE CHANGE CONTACT	1
	26		387300	MODE CHANGE SW PLATE	1
	27		387301	MODE CHANGE SW (ASM.)	1
	28		283485	SCREW	1
	29		387302	NUT	1
	30		283522	SCREW	2
	31		283523	SCREW	1

16. Y DRIVING PLATE AND FRAME HOLDER COMPONENTS



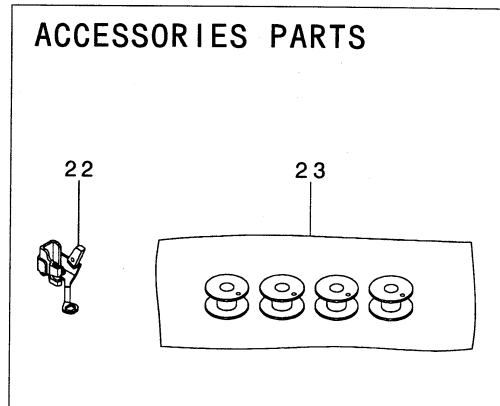
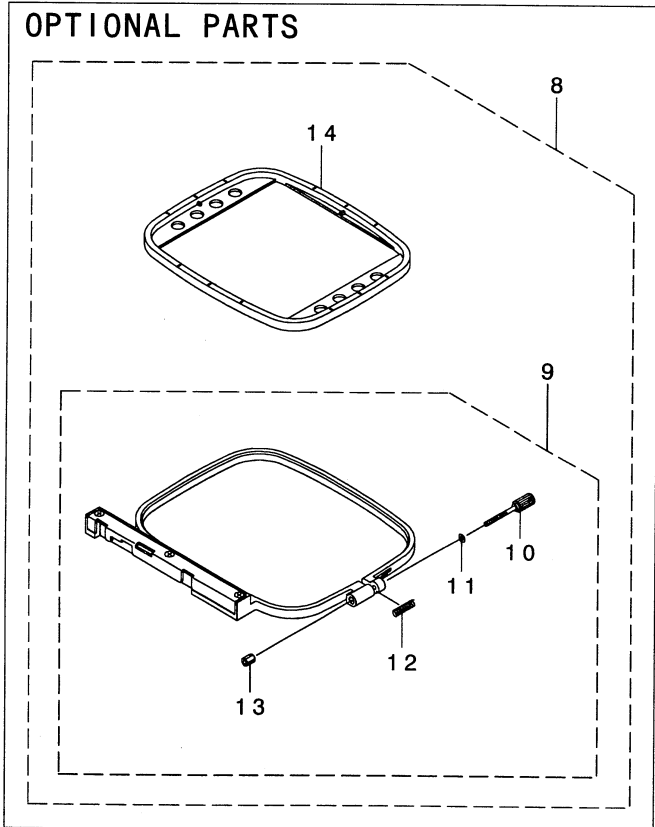
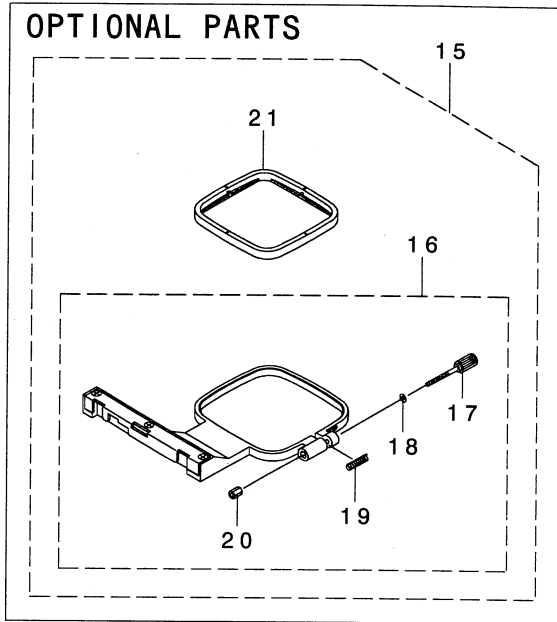
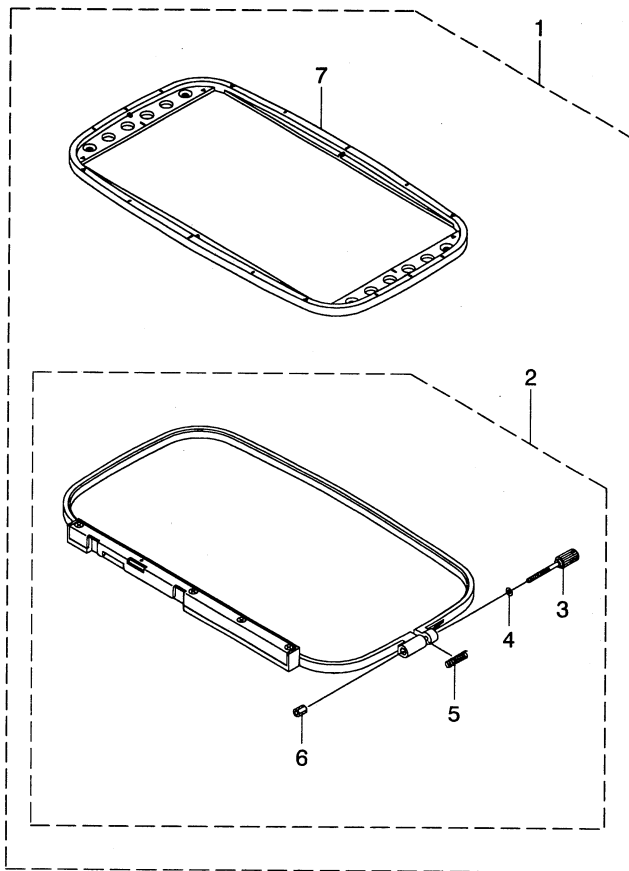
REF NO.	NOTE	PART NO.	PART DESCRIPTION	Qty
1		387304	Y COORDINATE DRIVE SHAFT	1
2		387081	Y COORDINATE DRIVE SHAFT FELT A (GREEN)	1
3		387305	SCREW	2
4		387306	Y COORDINATE DRIVE PLATE	1
5		387083	Y COORDINATE SENSOR CIRCUIT BOARD (ASM.)	1
6		387084	Y COORDINATE SENSOR COLLAR	1
7		387134	SCREW	1
8		387085	Y COORDINATE BELT HOLDING PLATE	1
9		387307	Y COORDINATE SUBORDINATE DRIVE GEAR BRACKET (ASM.)	1
10		387087	Y COORDINATE SUBORDINATE DRIVE GEAR	1
11		283460	E RING	1
12		387308	Y COORDINATE INTERMEDINATE PULLEY BRACKET (ASM.)	1
13		387309	Y COORDINATE INTERMEDINATE PULLEY	1
14		387310	FLANGE	1
15		283460	E RING	1
16		387135	SCREW	1
17		387135	SCREW	1
18		283470	SCREW	3
19		387090	Y COORDINATE DRIVE BELT B	1
20		387311	Y COORDINATE PULLEY (ASM.)	1
21		387135	SCREW	1
22		387135	SCREW	4
23		387092	Y COORDINATE DRIVE BELT A	1
24		387093	EMBROIDERY FRAME HOLDER	1
25		387094	BELT PRESSER	1
26		283471	SCREW	1
27		387095	EMBROIDERY FRAME DETECTING SWITCH (ASM.)	1
28		387096	DETECTING SWITCH HOLDING PLATE	1
29		387139	SCREW	2
30		386508	SCREW	1
31		387097	EMBROIDERY FRAME FIXATIOH SPRING	1
32		283491	SCREW	2
33		387098	SPRING	1
34		283469	SCREW	1
35		387099	EMBROIDERY FRAME POSITIONING COLLAR	1
36		387133	SCREW	1
37		387100	EMBROIDERY FRAME DETECTING WIRE COVER	1
38		283469	SCREW	1
39		387101	EMBROIDERY FRAME HOLDER COVER (120V)	1
40		387102	EMBROIDERY FRAME HOLDER COVER (220V)	1
41		387103	EMBROIDERY FRAME HOLDER COVER FIXATION PLATE	1
42		283470	SCREW	1
43		387006	BAND (SMALL)	4
44		387104	Y COORDINATE DRIVE SHAFT FELT B	1
45		386998	CARRIAGE CAUTION STICKER	1

17. X DRIVING PLATE COMPONENTS



REF	NO.	NOTE	PART NO.	PART DESCRIPTION	Qty
	1		387312	MAIN FRAME (ASM.)	1
	2		387106	X MOTOR BRACKET (ASM.)	1
	3		387107	X STM (ASM.)	1
	4		387108	X MOTOR GEAR	1
	5		386522	SCREW	2
	6		386493	SCREW	2
	7		386377	INTERMEDIATE GEAR	1
	8		283459	E RING	1
	9		283497	SCREW	3
	10		283474	SCREW	1
	11		387313	X COORDINATE SUBORDINATE DRIVE GEAR	1
	12		387314	FLANGE	1
	13		283460	E RING	1
	14		387110	X COORDINATE DRIVE BELT	1
	15		387315	X COORDINATE PULLEY (ASM.)	1
	16		283474	SCREW	1
	17		387112	X COORDINATE DRIVE SHAFT	1
	18		387114	X COORDINATE DRIVE SHAFT FELT B	1
	19		387135	SCREW	2
	20		387115	BELT PRESSER A	1
	21		387116	BELT PRESSER B	1
	22		387136	SCREW	2
	23		283523	SCREW	1
	24		386609	SCREW	2
	25		283322	CORE HOLDER	1
	26		387113	X COORDINATE DRIVE SHAFT FELT A (GREEN)	1
	27		387006	BAND (SMALL)	1
	28		387135	SCREW	1
	29		387142	SCREW	1
	30		387117	X COORDINATE DRIVE PLATE (ASM.)	1
	31		387118	X COORDINATE DRIVE PLATE	(1)
	32		387119	X COORDINATE DRIVE SHAFT RECEPTACLE	(2)
	33		387120	X DRIVE SHAFT RECEPTACLE HOLDER	(2)
	34		283469	SCREW	(2)
	35		387121	Y STM	1
	36		387122	Y MOTOR GEAR	1
	37		386522	SCREW	2
	38		386493	SCREW	2
	39		387123	CORE HOLDER PLATE	1

18. EMBROIDERY FRAME AND ACCESSORIES PARTS COMPONENTS



REF	NO.	NOTE	PART NO.	PART DESCRIPTION	Qty
	1		386955	LARGE SIZE EMBROIDERY FRAME (ASM.)	1
	2		387125	LARGE SIZE EMBROIDERY OUTER FRAME (ASM.)	(1)
	3		387126	KNOB SCREW	(1)
	4		387150	WASHER	(1)
	5		387127	FRAME RELEASE SPRING	(1)
	6		387128	NUT	(1)
	7		387129	LARGE SIZE EMBROIDERY INNER FRAME	(1)
	8		386956	MEDIUM SIZE EMBROIDERY FRAME (ASM.)	1
	9		387130	MEDIUM SIZE EMBROIDERY OUTER FRAME (ASM.)	(1)
	10		387126	KNOB SCREW	(1)
	11		387150	WASHER	(1)
	12		387127	FRAME RELEASE SPRING	(1)
	13		387128	NUT	(1)
	14		387131	MEDIUM SIZE EMBROIDERY INNER FRAME	(1)
	15		386957	SMALL SIZE EMBROIDERY FRAME (ASM.)	1
	16		387157	SMALL SIZE EMBROIDERY OUTER FRAME (ASM.)	(1)
	17		387126	KNOB SCREW	(1)
	18		387150	WASHER	(1)
	19		387127	FRAME RELEASE SPRING	(1)
	20		387128	NUT	(1)
	21		387158	SMALL SIZE EMBROIDERY INNER FRAME	(1)
	22		387180	EMBROIDERY PRESSER FOOT (ASM.)	1
	23		386466	BOBBIN	4

