

SINGER[®]

Sewing Machine XL-100 LIST OF PARTS

SINGER®

* Copyright © 1994 SINGER
All Rights Reserved Throughout the World

* A Trademark of THE SINGER COMPANY

List of parts

Sewing Machine

XL-100

CONTENTS

MACHINE HEAD COMPONENTS

1. COVER AND ACCESSORIES PARTS (1) COMPONENTS..... 1
2. TOP BOARD AND MICROCOMPUTER BOARD COMPONENTS..... 3
3. FRONT PANEL AND DISPLAY COVER COMPONENTS..... 5
4. MAIN SHAFT AND THREAD PULLING LINK COMPONENTS..... 7
5. SOLENOIDS AND FACE REFERENCE PLATE COMPONENTS..... 9
6. BASE TENSION AND PRESSER BAR COMPONENTS..... 11
7. NEEDLE BAR AND NEEDLE THREADER COMPONENTS..... 13
8. HOOK AND LOOPER COMPONENTS..... 15
9. THROAT PLATE AND HOOK DRIVING SHAFT COMPONENTS..... 17
10. FEED MECHANISM COMPONENTS..... 19
11. FEED STM AND NEEDLE VIBRATION STM COMPONENTS..... 21
12. THREAD CLUTCH AND SPOOL COMPONENTS..... 23
13. ELECTRIC POWER BOARD AND MOTOR COMPONENTS..... 25
14. ACCESSORIES PARTS (2) AND OPTIONAL PARTS COMPONENTS.. 27

EMBROIDERY UNIT COMPONENTS

15. LOWER COVER AND MAIN FRAME COMPONENTS..... 29
16. X DRIVING PLATE AND FRAME HOLDER COMPONENTS..... 31
17. Y DRIVING PLATE COMPONENTS..... 33
18. EMBROIDERY FRAME AND ACCESSORIES PARTS COMPONENTS... 35

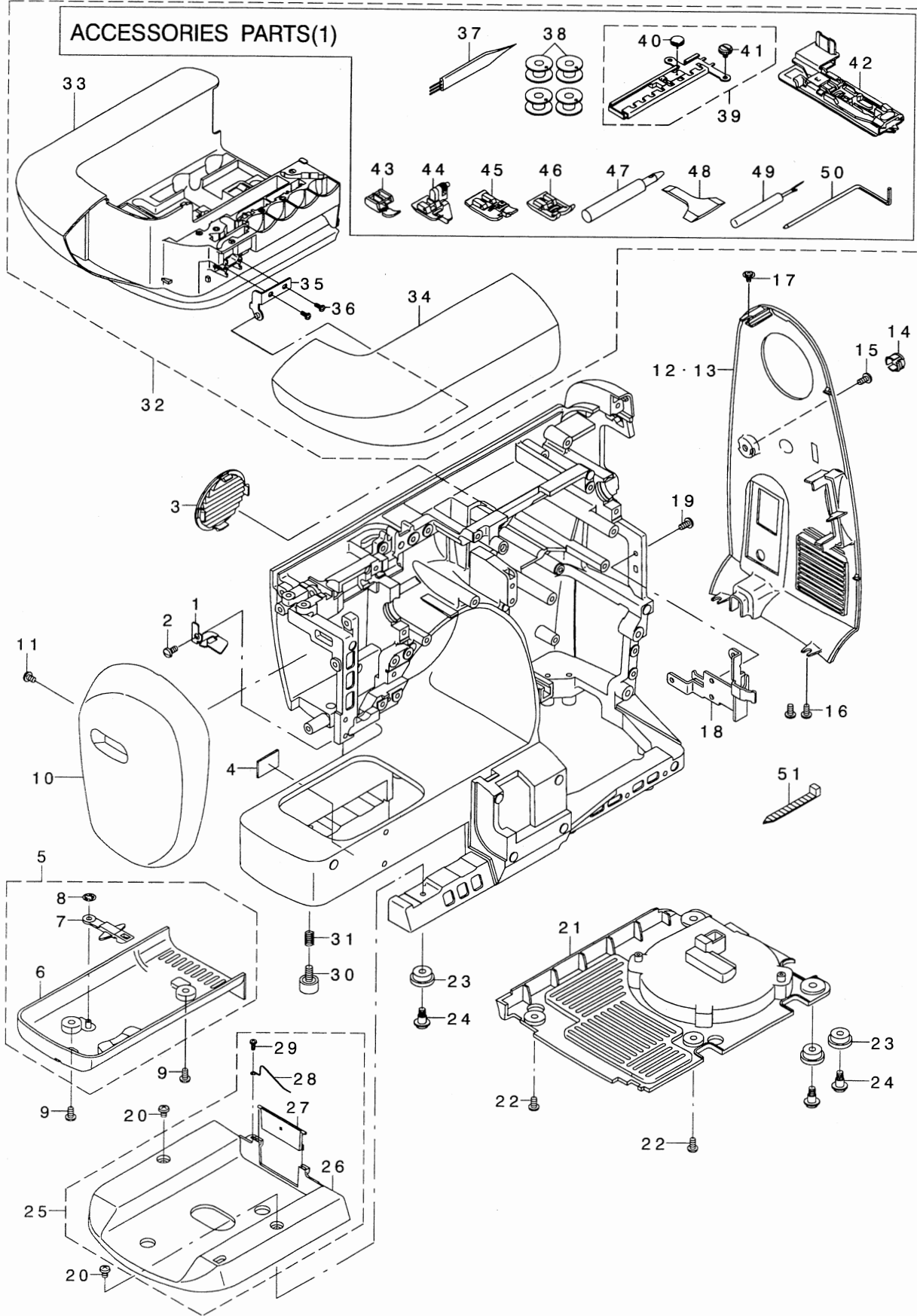
(Note)

The part which has an asterisk (*) before its part number is not separately available as a spare part so that the accuracy in assembling and smoothness in component investigation are assured.

Consequently, please place your order using the part number of assembly containing the part.

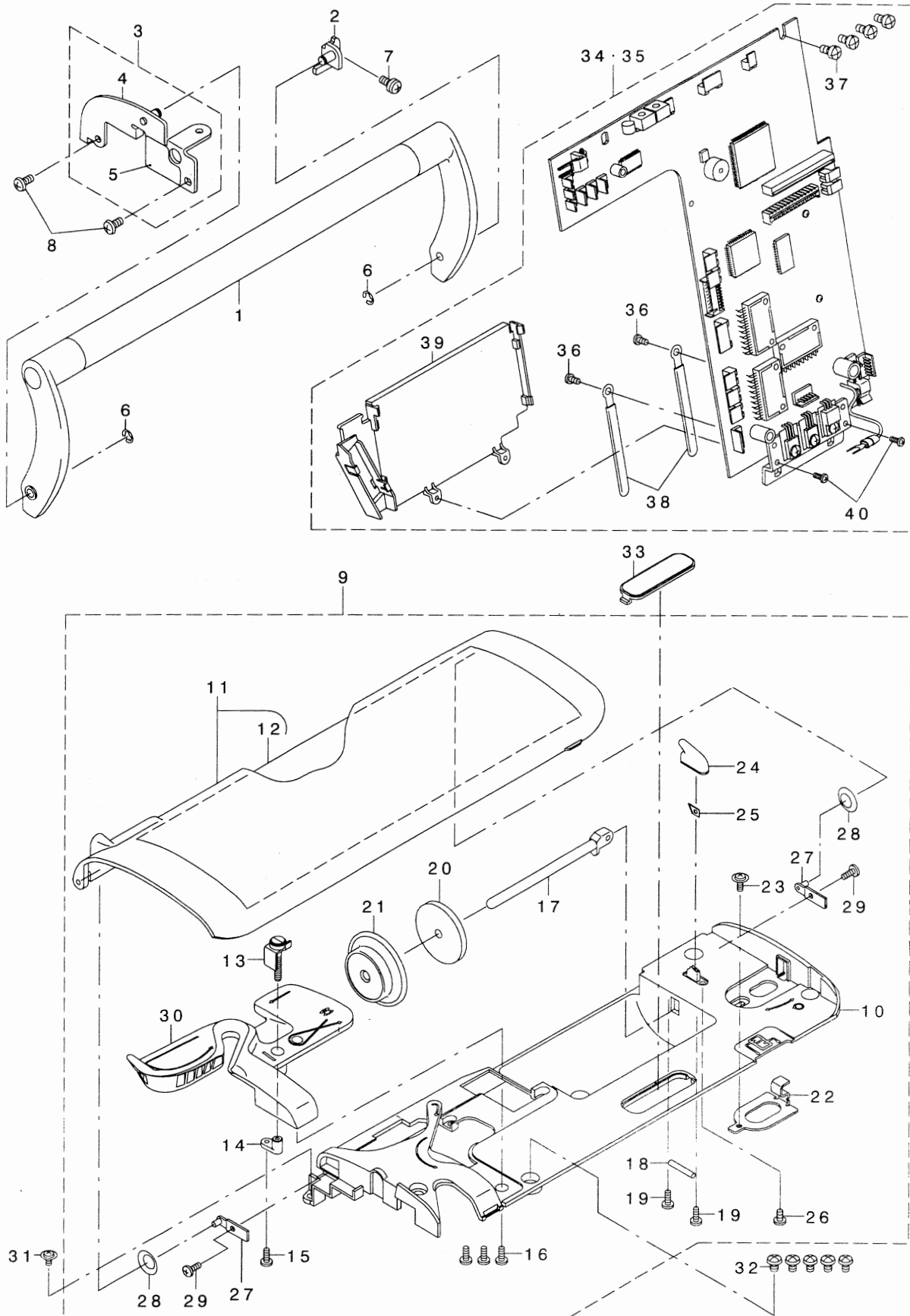
MACHINE HEAD COMPONENTS

1. COVER AND ACCESSORIES PARTS (1) COMPONENTS



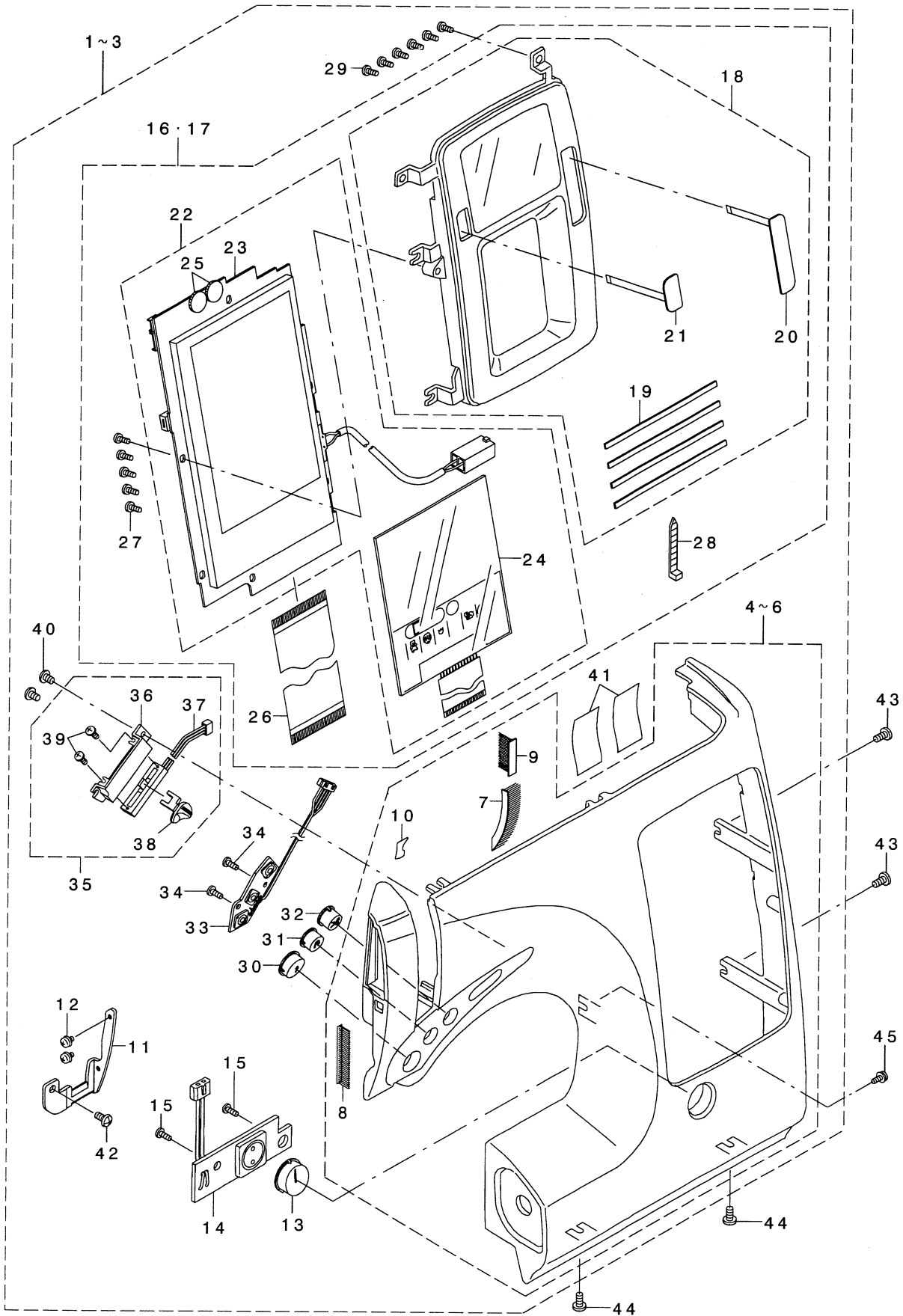
REF NO.	NOTE	PART NO.	PART DESCRIPTION	QTY
1		386279	NEEDLE BAR THREAD GUIDE	1
2		283502	SCREW	1
3		386052	VENTILATION COVER	1
4		386245	MOVING KNIFE STOPPER RUBBER	1
5		386054	FACE PLATE COVER (ASM.)	1
6		386053	FACE PLATE COVER	(1)
7		386055	MANUAL DF SWITCH	(1)
8		283304	LOCKNUT	(1)
9		283502	SCREW	2
10		386280	FACE PLATE	1
11		386520	SCREW	1
12		386453	BELT COVER(120V)	1
13		386568	BELT COVER(230V)	1
14		386347	BELT COVER CAP	1
15		283502	SCREW	1
16		283502	SCREW	2
17		386496	SCREW	1
18		386454	BELT COVER LOCATING PLATE	1
19		283502	SCREW	1
20		386520	SCREW	2
21		386081	UNDER SIDE COVER	1
22		283502	SCREW	2
23		386082	RUBBER WASHER	3
24		386088	SCREW	3
25		386090	UNDER SIDE COVER A (ASM.)	1
26		386089	UNDER SIDE COVER A	(1)
27		386445	CONNECTOR COVER	(1)
28		386446	COVER PRESSER SPRING	(1)
29		283522	SCREW	(1)
30		386087	HEIGHT ADJUSTING SCREW	1
31		386080	HEIGHT ADJUSTING SPRING	1
32		386084	AUXILIARY BED (ASM.)	1
33		386083	AUXILIARY BED	(1)
34		386085	AUXILIARY BED COVER	(1)
35		386086	AUXILIARY BED SUPPORTING PLATE (ASM.)	(1)
36		283522	SCREW	(2)
37		283403	BRUSH	(1)
38		386466	BOBBIN	(4)
39		386030	CIRCLE STITCH RULER (ASM.)	(1)
40		386031	TACK	(1)
41		386032	SCREW OF RULER	(1)
42		386012	BUTTONHOLE FOOT (ASM.)	(1)
43		386014	ZIPPER FOOT (ASM.)	(1)
44		386016	BLINDSTITCH PRESSER FOOT (ASM.)	(1)
45		386018	OVER CASTING FOOT (ASM.)	(1)
46		386029	DECORATIVE STITCH FOOT (ASM.)	(1)
47		283392	EYELET PUNCH	(1)
48		283394	SCREWDRIVER	(1)
49		385098	SEAM RIPPER	(1)
50		283401	QUILT GUIDE	(1)
51		283355	BAND	1

2. TOP BOARD AND MICROCOMPUTER BOARD COMPONENTS



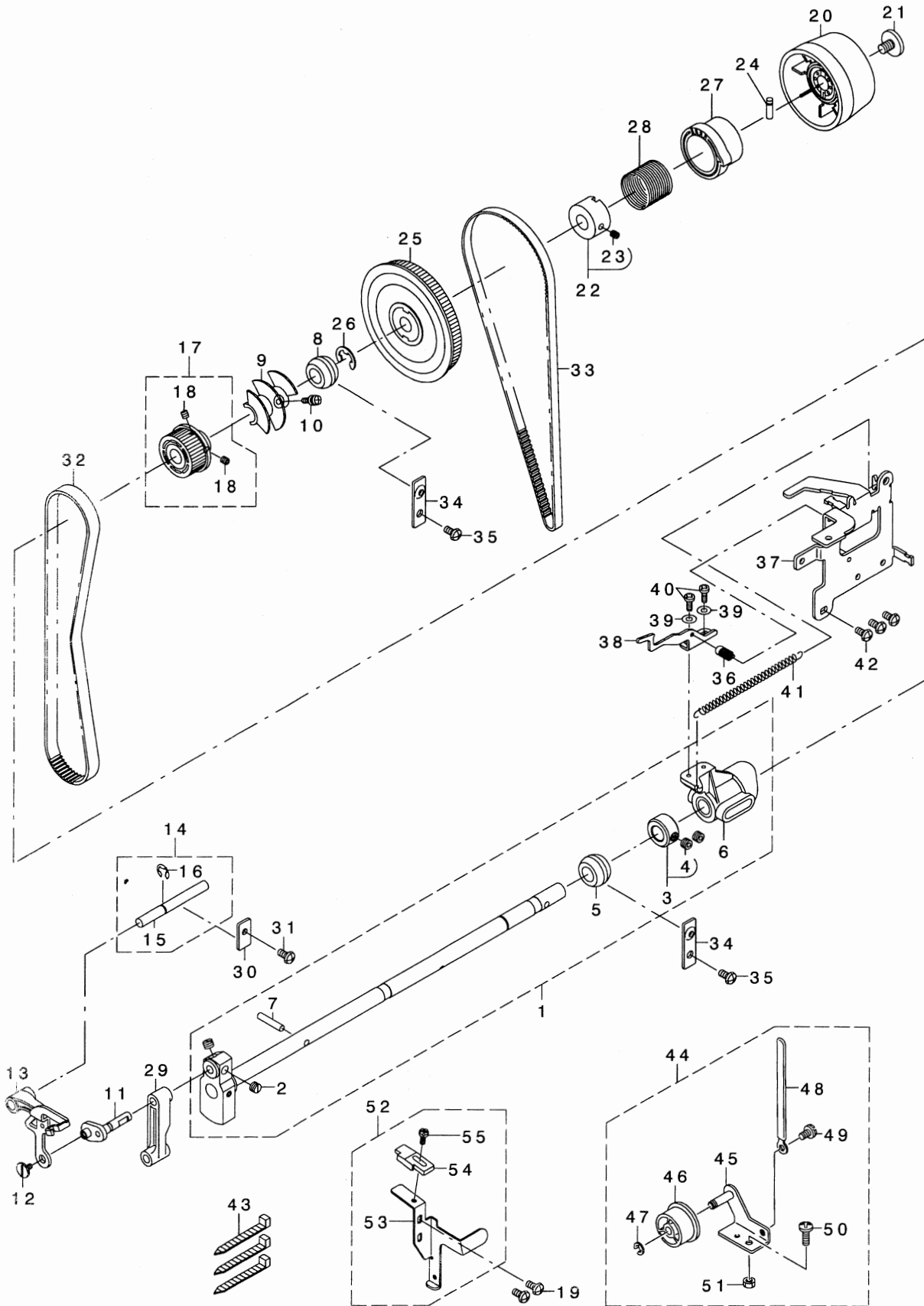
REF NO.	NOTE	PART NO.	PART DESCRIPTION	QTY
1		386063	HANDLE (ASM.)	1
2		386064	HANDLE PLATE (RIGHT) (ASM.)	1
3		386066	HANDLE PLATE (LEFT) (ASM.)	1
4		386065	HANDLE PLATE (LEFT)	(1)
5		386332	LAMP CAUTION LABEL	(1)
6		283460	E RING	2
7		386500	SCREW	1
8		283502	SCREW	2
9		386070	UP COVER (ASM.)	1
10		386069	UP COVER	(1)
11		386067	ARM COVER (ASM.)	(1)
12		386071	PATTERN DISPLAY SHEET	(1)
13		385125	THREAD GUIDE BASE (ASM.)	(1)
14		385121	THREAD GUIDE MOUNTING PLATE	(1)
15		283522	SCREW	(1)
16		283522	SCREW	(3)
17		385116	SPOOL	(1)
18		386487	THREAD STAND SHAFT	(1)
19		283522	SCREW	(2)
20		386465	FELT	(1)
21		386078	THREAD SPOOL CAP	(1)
22		386077	SPOOL ADJUSTING PLATE	(1)
23		386497	SCREW	(1)
24		386074	THREAD CUTTER BASE	(1)
25		386281	THREAD CUTTER BLADE	(1)
26		386528	SCREW	(1)
27		386072	ARM COVER LOCATING PLATE (ASM.)	(2)
28		386068	ARM COVER SPRING WASHER	(2)
29		283522	SCREW	(2)
30		386075	NEEDLE THREAD GUIDE COVER (A)	(1)
31		386496	SCREW	1
32		386520	SCREW	5
33		386073	DIP SWITCH COVER	1
34		386361	M.COMPUTER CIRCUIT BOARD (ASM.) (120V)	1
35		386555	M.COMPUTER CIRCUIT BOARD (ASM.) (230V)	1
36		283491	SCREW (120/230V)	(2)
37		283502	SCREW (120/230V)	(4)
38		283322	CORD HOLDER (120/230V)	(2)
39		386571	M.COMPUTER CIRCUIT BOARD INSULATE COVER (230V)	(1)
40		283522	SCREW (230V)	(2)

3. FRONT PANEL AND DISPLAY COVER COMPONENTS



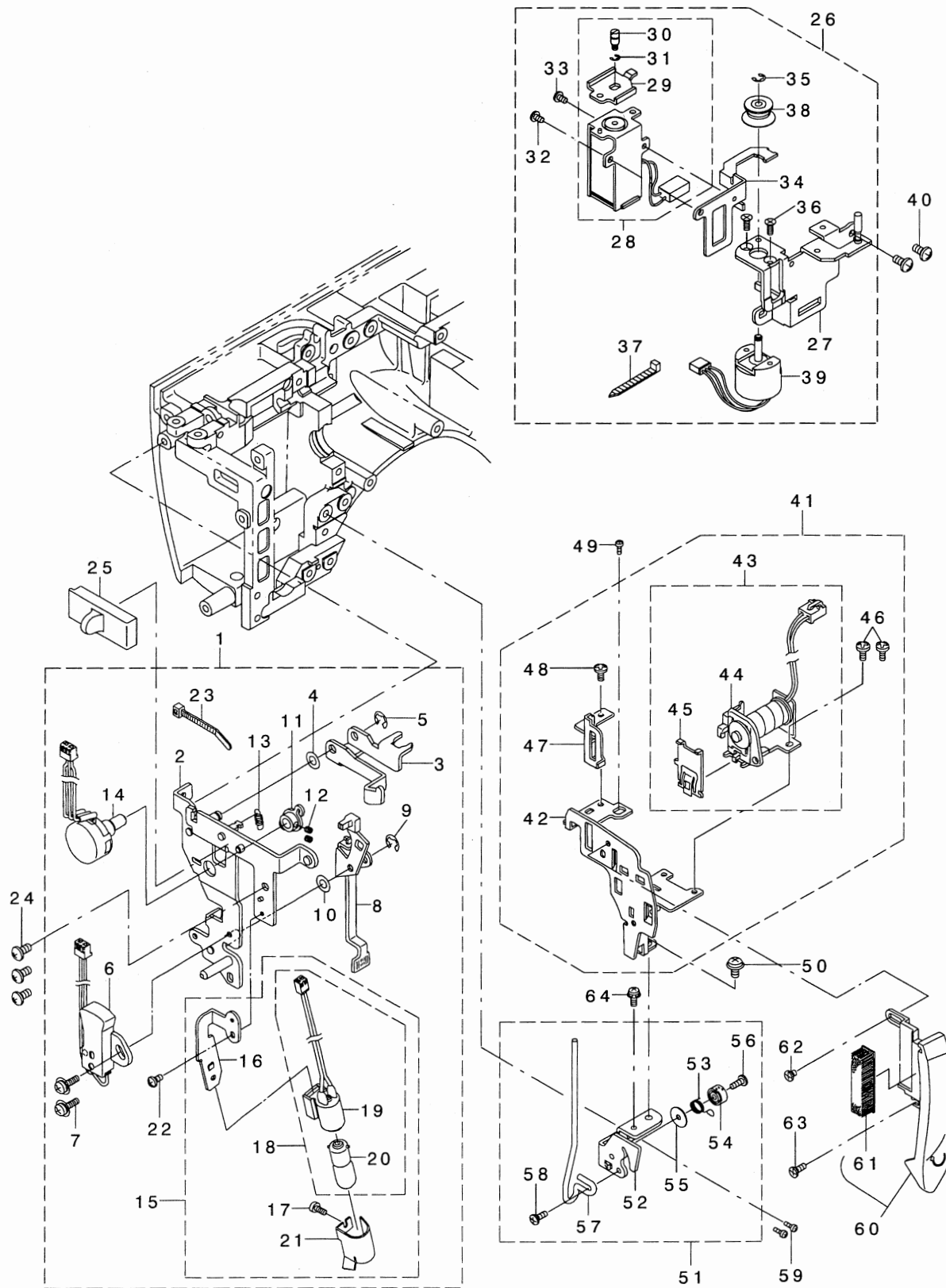
REF NO.	NOTE	PART NO.	PART DESCRIPTION	QTY
1		386537	FRONT PANEL (ASM.) "QUANTUM"	1
2		386552	FRONT PANEL (ASM.) "PROFESSIONAL"	1
3		386563	FRONT PANEL (ASM.) "XL-100"	1
4		386334	FRONT PANEL (PARTIAL ASM.) "QUANTUM"	(1)
5		386564	FRONT PANEL (PARTIAL ASM.) "PROFESSIONAL"	(1)
6		386582	FRONT PANEL (PARTIAL ASM.) "XL-100"	(1)
7		386313	TAKE UP COVER PILE (A)	(1)
8		283295	THREAD TAKE UP LEVER COVER PILE (B)	(1)
9		386314	TAKE UP COVER PILE	(1)
10		386345	PREVENTIVE SEAL	(1)
11		386344	FACE REINFORCING PLATE	(1)
12		386491	SCREW	(2)
13		386336	ONE BUTTON SWITCH	(1)
14		386346	ONE BUTTON SWITCH BOARD (ASM.)	(1)
15		283522	SCREW	(2)
16		386343	DISPLAY COVER (ASM.) (120V)	(1)
17		386565	DISPLAY COVER (ASM.) (230V)	(1)
18		386342	DISPLAY COVER	(1)
19		386341	TTP ABSORBER (DOUBLE FACE)	(4)
20		386337	PANEL SWITCH (B) (ASM.)	(1)
21		386335	PANEL SWITCH (A) (ASM.)	(1)
22		386339	DISPLAY BOARD (TOTAL ASM.)	(1)
23		386338	DISPLAY BOARD (ASM.)	(1)
24		386340	TOUCH PANEL (ASM.)	(1)
25		386541	VARIABLE RESISTOR FOR LCD BOARD	(2)
26		386364	CONNECTING CABLE	(1)
27		283522	SCREW	(5)
28		283355	BAND (230V ONLY)	(1)
29		283522	SCREW	(6)
30		386348	START KEY	(1)
31		386350	REVERSE KEY	(1)
32		386351	THREAD CUTTER KEY	(1)
33		386349	SWITCH CIRCUIT BOARD (ASM.)	(1)
34		283522	SCREW	(2)
35		386373	SLIDE VOLUME (TOTAL ASM.)	(1)
36		386375	BLIND PLATE	(1)
37		386372	SLIDE VOLUME (ASM.)	(1)
38		386374	SLIDE VOLUME KNOB	(1)
39		283522	SCREW	(2)
40		283478	SCREW	(2)
41		283335	START SWITCH LEAD TAPE	(2)
42		283502	SCREW	(1)
43		283502	SCREW	2
44		283502	SCREW	2
45		283470	SCREW	1

4. MAIN SHAFT AND THREAD PULLING LINK COMPONENTS



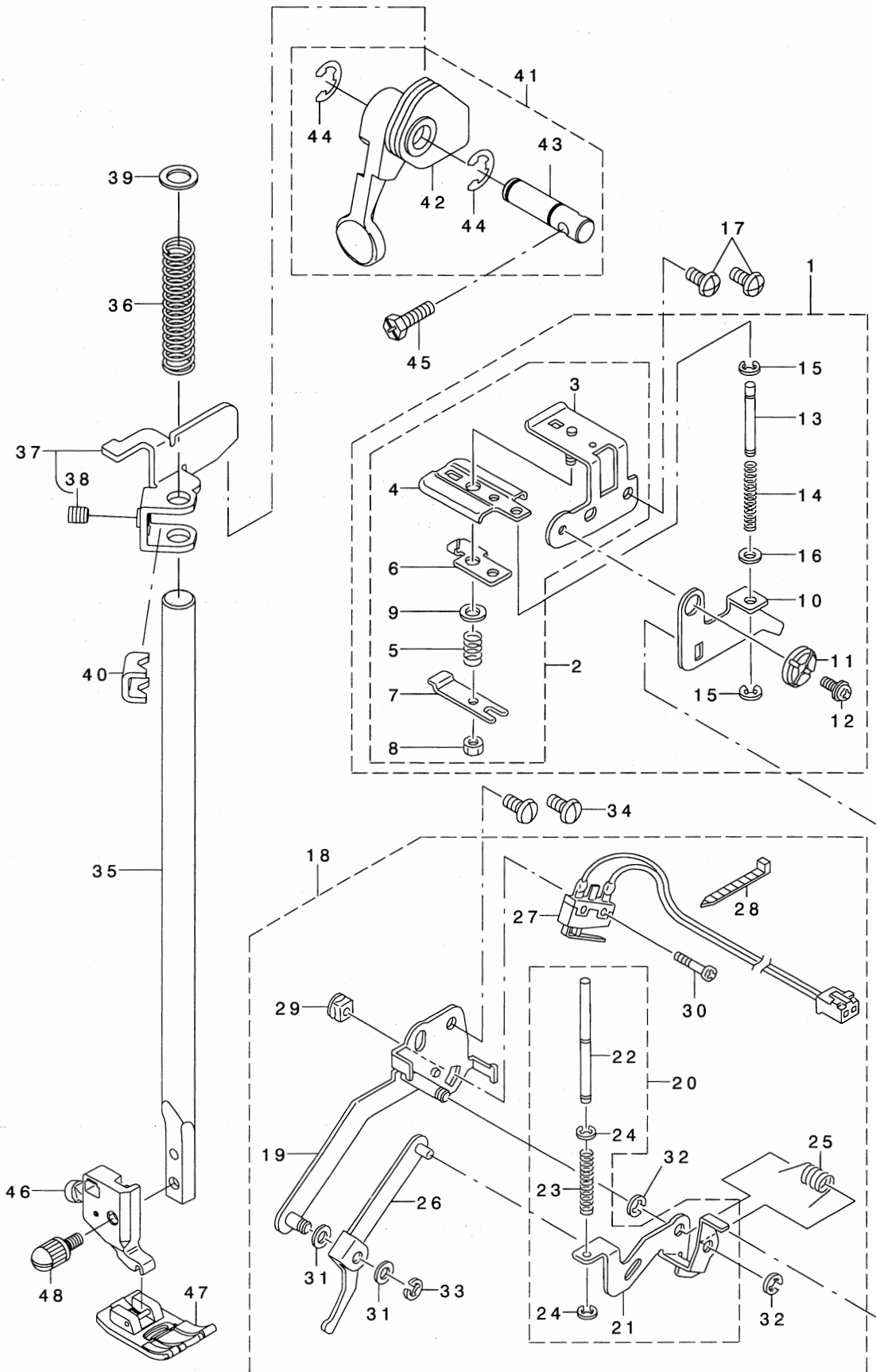
REF NO.	NOTE	PART NO.	PART DESCRIPTION	QTY
1		386583	MAIN SHAFT (ASM.)	1
2		283516	SCREW	(2)
3		386095	MAIN SHAFT THRUST COLLAR (ASM.)	(1)
4		386523	SCREW	(2)
5		283045	MAIN SHAFT BUSHING	(1)
6		386584	DELIVERY CAM (ASM.)	(1)
7		386587	DELIVERY CAM PIN	(1)
8		283045	MAIN SHAFT BUSHING	1
9		386097	MAIN SHAFT DETECTION SHELTER PLATE	1
10		283473	SCREW	1
11		386096	NEEDLE BAR CRANK	1
12		283051	ENDSCREW (LEFT)	1
13		386247	THREAD TAKE-UP (ASM.)	1
14		386248	TAKE-UP SUPPORTING SHAFT (ASM.)	1
15		283207	THREAD TAKE UP LEVER SUPPORTING SHAFT	(1)
16		283461	E RING	(1)
17		386099	MAIN SHAFT PULLEY	1
18		283511	SCREW	(2)
19		283502	SCREW	2
20		386100	HAND WHEEL	1
21		283054	SCREW	1
22		386101	HAND WHEEL BUSH (ASM.)	1
23		283511	SCREW	(1)
24		386102	HAND WHEEL BUSH PIN	1
25		386103	MOTOR PULLEY	1
26		283464	E RING	1
27		386104	CLUTCH SPRING HOLDER	1
28		283057	CLUTCH SPRING	1
29		283061	NEEDLE BAR CRANK ROD	1
30		283070	SUPPORTING SHAFT RETAINING PLATE	1
31		283502	SCREW	1
32		386455	TIMING BELT (LARGE)	1
33		386456	MOTOR TIMING BELT	1
34		283046	MAIN SHAFT BUSHING RETAINING PLATE	2
35		283502	SCREW	2
36		386588	SPRING	1
37		386586	LINK MOUNTING PLATE (ASM.)	1
38		386287	LEVER	1
39		283526	WASHER	2
40		283523	SCREW	2
41		386288	SPRING	1
42		283502	SCREW	3
43		283355	BAND	3
44		386461	IDLER SUPPORT (TOTAL ASM.)	1
45		386460	IDLER SUPPORT (ASM.)	(1)
46		386459	IDLER	(1)
47		283460	E RING	(1)
48		283323	CORD HOLDER	(1)
49		386519	SCREW	(1)
50		385343	SCREW	(1)
51		386483	NUT	(1)
52		386464	MAIN SHAFT SUPPORT (ASM.)	1
53		386463	MAIN SHAFT SUPPORT PLATE	(1)
54		386462	MAIN SHAFT SUPPORT	(1)
55		386518	SCREW	(1)

5. SOLENOIDS AND FACE REFERENCE PLATE COMPONENTS



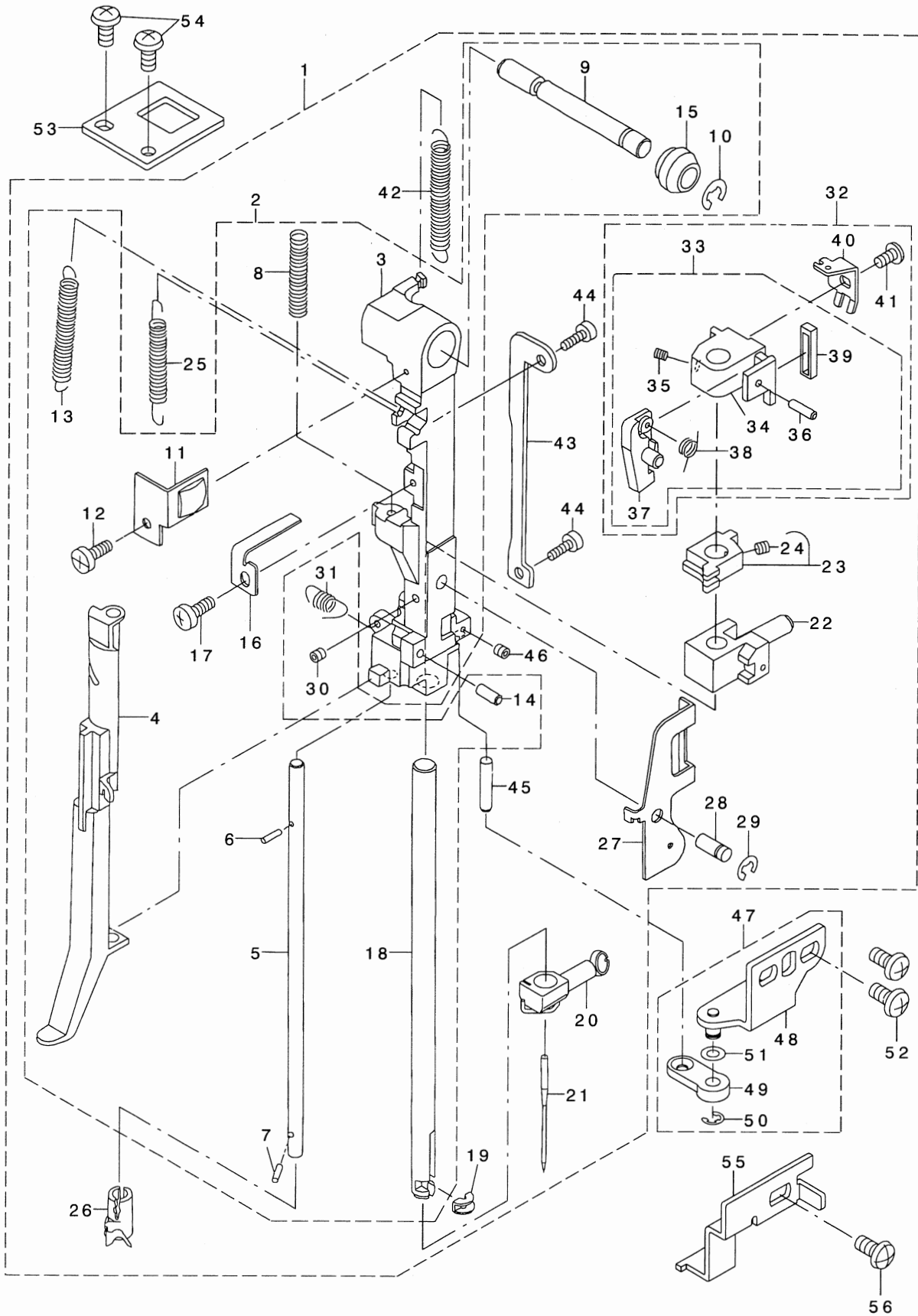
REF NO.	NOTE	PART NO.	PART DESCRIPTION	QTY
1		386145	FACE REFERENCE PLATE (TOTAL ASM.)	1
2		386144	FACE REFERENCE PLATE (ASM.)	(1)
3		386251	PRESSER ADJUST LEVER	(1)
4		283528	WASHER	(1)
5		283460	E RING	(1)
6		386257	BI SWITCH BOARD (ASM.)	(1)
7		283469	SCREW	(2)
8		283228	BUTTONHOLING LEVER (ASM.)	(1)
9		283460	E RING	(1)
10		283528	WASHER	(1)
11		386258	POTENTIOMETER ARM (ASM.)	(1)
12		283506	SCREW	(2)
13		386259	SPRING	(1)
14		386260	POTENTIOMETER (ASM.)	(1)
15		386330	LAMP PLATE (ASM.)	(1)
16		386329	LAMP PLATE	(1)
17		283486	SCREW	(1)
18		386328	LAMP (ASM.)	(1)
19		386327	LAMP SOCKET (ASM.)	(1)
20		283318	LIGHT BULB	(1)
21		386331	LAMP COVER	(1)
22		283491	SCREW	(1)
23		283355	BAND	(1)
24		283502	SCREW	3
25		386141	PRESSER FOOT ADJUSTING LEVER	1
26		386254	ENCODER SUPPORT PLATE (B)	1
27		386253	ENCODER SUPPORT PLATE (A)	(1)
28		386252	SOLENOID NO.1 (ASM.)	(1)
29	*	283219	SOLENOID NO.1 ARMATURE	(1)
30	*	283220	SOLENOID NO.1 SHAFT	(1)
31		283459	E RING	(1)
32		386517	SCREW	(1)
33		386514	SCREW	(1)
34		386256	LEAD WIRE GUIDE PLATE	(1)
35		283227	ARCH SHAPPED E RING	(1)
36		283519	SCREW	(2)
37		283355	BAND	(1)
38		283226	ENCORDER PULLEY (ASM.)	(1)
39		386255	ENCORDER (ASM.)	(1)
40		283502	SCREW	2
41		386311	FACE PLATE (TOTAL ASM.)	1
42		386310	FACE PLATE (ASM.)	(1)
43		386308	SOLENOID NO.2 (ASM.)	(1)
44	*	386309	SOLENOID NO.2 (PARTIAL ASM.)	(1)
45	*	283287	SOLENOID NO.2 AMATURE (ASM.)	(1)
46		283491	SCREW	(2)
47		386315	NEEDLE THREAD GUIDE PLATE	(1)
48		283491	SCREW	(1)
49		283502	SCREW	1
50		386494	SCREW	1
51		386317	FACE PLATE LOCATING PLATE (ASM.)	1
52		386316	FACE PLATE LOCATING PLATE	(1)
53		386286	SPRING	(1)
54		385255	SPRING HOLDER	(1)
55		385256	WASHER	(1)
56		283471	SCREW	(1)
57		386312	NEEDLE THREAD GUIDE BAR	(1)
58		283470	SCREW	(1)
59		283502	SCREW	2
60		386076	THREAD GUIDE COVER (ASM.)	1
61		386079	THREAD GUIDE COVER PILE	(1)
62		386495	SCREW	1
63		283471	SCREW	1
64		385388	SCREW	1

6. BASE TENSION AND PRESSER BAR COMPONENTS



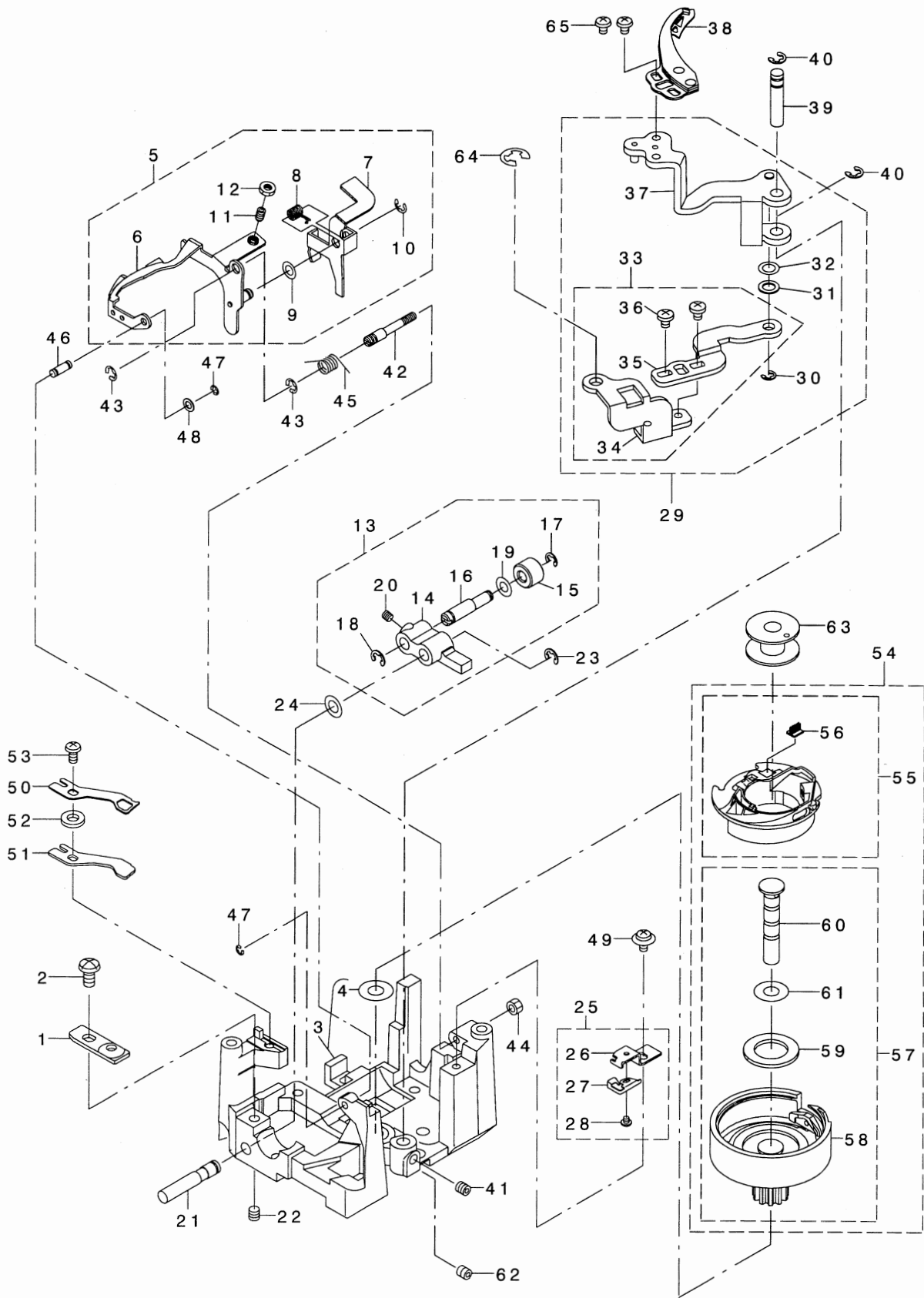
REF NO.	NOTE	PART NO.	PART DESCRIPTION	QTY
1		386291	BASE TENSION (TOTAL ASM.)	1
2		386290	BASE TENSION (B) (ASM.)	(1)
3	*	386289	BASE TENSION SUPPORT PLATE (A) (ASM.)	(1)
4	*	386292	BASE TENSION DISK	(1)
5	*	386293	SPRING	(1)
6	*	386294	BASE TENSION THREAD PRESSER	(1)
7	*	386296	BASE TENSION STOPPER	(1)
8		283449	NUT	(1)
9		283527	WASHER	(1)
10		386301	DISK RELEASE LINK	(1)
11		386268	LINK COLLAR	(1)
12		283469	SCREW	(1)
13		386297	DISK RELEASE SHAFT	(1)
14		386298	DISK RELEASE SPRING	(1)
15		283458	E RING	(2)
16		283696	WASHER	(1)
17		283502	SCREW	2
18		386300	TENSION RELEASE ATTACHING PLATE (MASTER ASM.)	1
19		386299	THREAD RELEASE SETTING PLATE (ASM.)	(1)
20		386303	THREAD RELEASE PLATE (A) (ASM.)	(1)
21		386302	THREAD PLATE (A)	(1)
22		283280	TENSION RELEASING BAR	(1)
23		386305	SPRING	(1)
24		283458	E RING	(2)
25		386304	SPRING	(1)
26		386306	THREAD RELEASE PLATE (B) (ASM.)	(1)
27		386307	ONE STITCH SW (ASM.)	(1)
28		283355	BAND	(2)
29		283217	LOCKNUT	(1)
30		283485	SCREW	(1)
31		283527	WASHER	(2)
32		283459	E RING	(2)
33		283459	E RING	(1)
34		283502	SCREW	2
35		386136	PRESSER BAR	1
36		283094	PRESSER SPRING	1
37		386139	PRESSER BAR GUIDE (ASM.)	1
38		283515	SCREW	(1)
39		283218	PRESSER SPRING HOLDER	1
40		283097	POSITION BRACKET SETSCREW HOLDER	1
41		386138	LIFTING LEVER (ASM.)	1
42		386137	LIFTING LEVER	(1)
43		386140	LIFTING LEVER SHAFT	(1)
44		283463	E RING	(2)
45		386524	SCREW	1
46		385042	PRESSER HOLDER (ASM.)	1
47		386004	STANDARD PRESSER FOOT (A)	1
48		386143	SCREW	1

7. NEEDLE BAR AND NEEDLE THREADER COMPONENTS



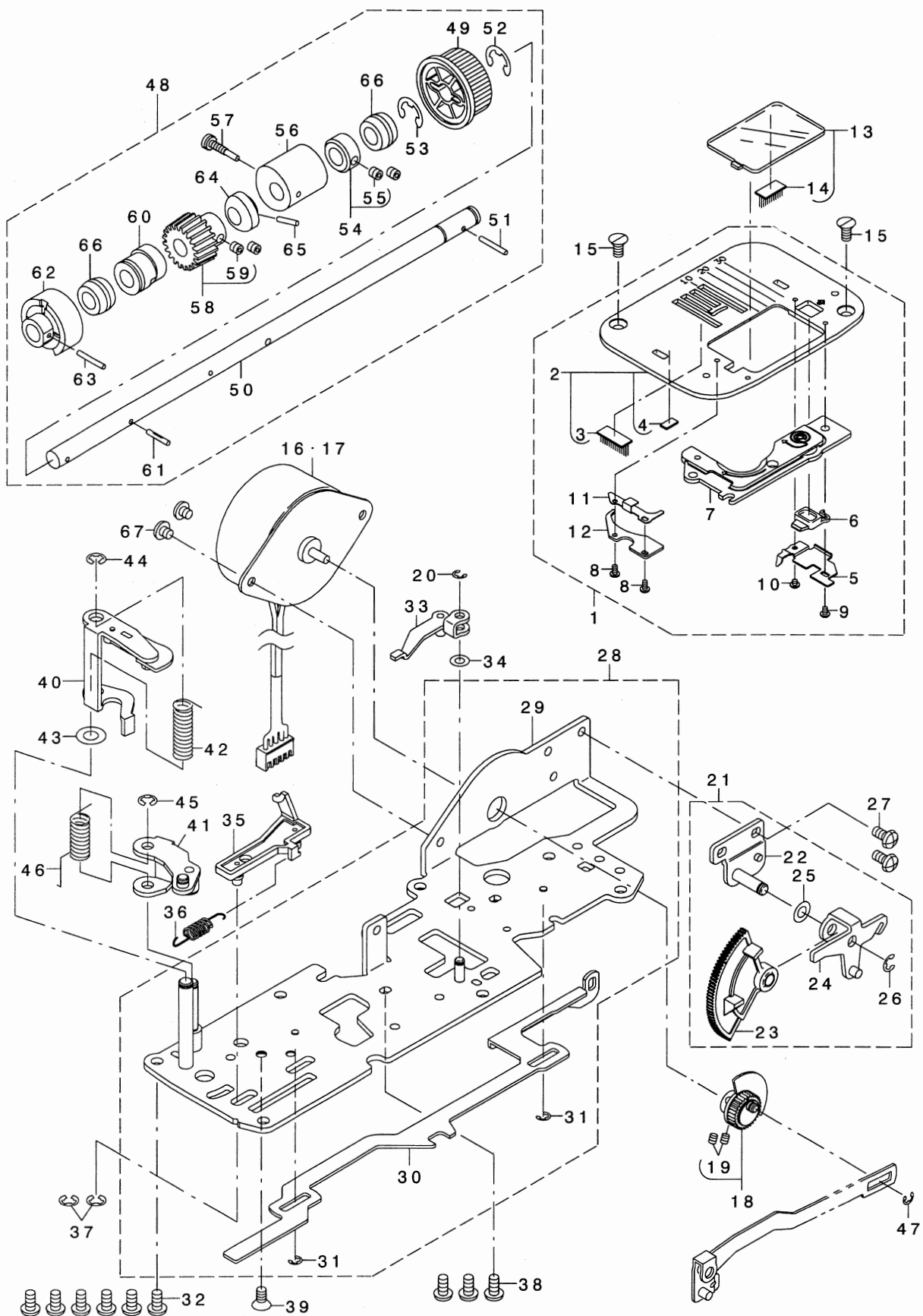
REF NO.	NOTE	PART NO.	PART DESCRIPTION	QTY
1		386111	NEEDLE BAR FRAME (ASM.)	1
2		386110	NEEDLE BAR FRAME (CPARTIAL ASM.)	(1)
3	*	386109	NEEDLE BAR FRAME	(1)
4	*	386115	THREADER LEVER	(1)
5	*	386116	THREADER SHAFT	(1)
6		386098	PIN	(1)
7		386485	PIN	(1)
8		283074	SPRING	(1)
9		386112	NEEDLE BAR ROCKER BASE SHAFT	(1)
10		283460	E RING	(1)
11		386113	SLIDE PLATE	(1)
12		283487	SCREW	(1)
13		283073	NEEDLE THREADER SPRING	(1)
14		386489	STOPPER PIN	(1)
15		283128	BALL BEARING	(1)
16		386130	POSITION SPRING	(1)
17		283487	SCREW	(1)
18		386105	NEEDLE BAR (ASM.)	(1)
19		283059	NEEDLE MIS-INSERT PREVENTING PLATE	(1)
20		386106	NEEDLE CLAMP (ASM.)	(1)
21		283405	NEEDLE 2020.90/14	(1)
22		386107	NEEDLE BAR CONNECTION (ASM.)	(1)
23		386108	NEEDLE BAR GUIDE (ASM.)	(1)
24		283506	SCREW	(1)
25		283066	NEEDLE BAR FRAME BASE SPRING	(1)
26		283075	NEEDLE THREADER HOOK HOLDER (ASM.)	(1)
27		386117	NEEDLE BAR ROCKER ARM	(1)
28		386119	NEEDLE BAR ROCKER ARM SHAFT	(1)
29		283459	E-RING	(1)
30		283506	SCREW	(1)
31		386120	DUMPER SPRING	(1)
32		386124	NEEDLE BAR SUPPORT (TOTAL ASM.)	(1)
33		386123	NEEDLE BAR SUPPORT (ASM.)	(1)
34		386122	NEEDLE BAR SUPPORT	(1)
35		283512	SCREW	(1)
36		386486	PIN	(1)
37		386125	NEEDLE BAR RELEASE RATCHET	(1)
38		386126	SPRING	(1)
39		386132	STOPPER	(1)
40		386127	STOPPER	(1)
41		283491	SCREW	(1)
42		283087	NEEDLE BAR RETAINING SPRING	(1)
43		386131	NEEDLE BAR GUIDE PLATE	(1)
44		385389	SCREW	(2)
45		386134	CONNECTING PLATE SHAFT	(1)
46		283506	SCREW	(1)
47		386129	ADJUSTMENT PLATE (B) (ASM.)	1
48		386128	ADJUSTMENT PLATE (A) (ASM.)	(1)
49		386133	CONNECTING PLATE	(1)
50		283459	E RING	(1)
51		283527	WASHER	(1)
52		283502	SCREW	2
53		386114	SUPPORT PLATE	1
54		283502	SCREW	2
55		386135	STOPPER PLATE	1
56		283502	SCREW	1

8. HOOK AND LOOPER COMPONENTS



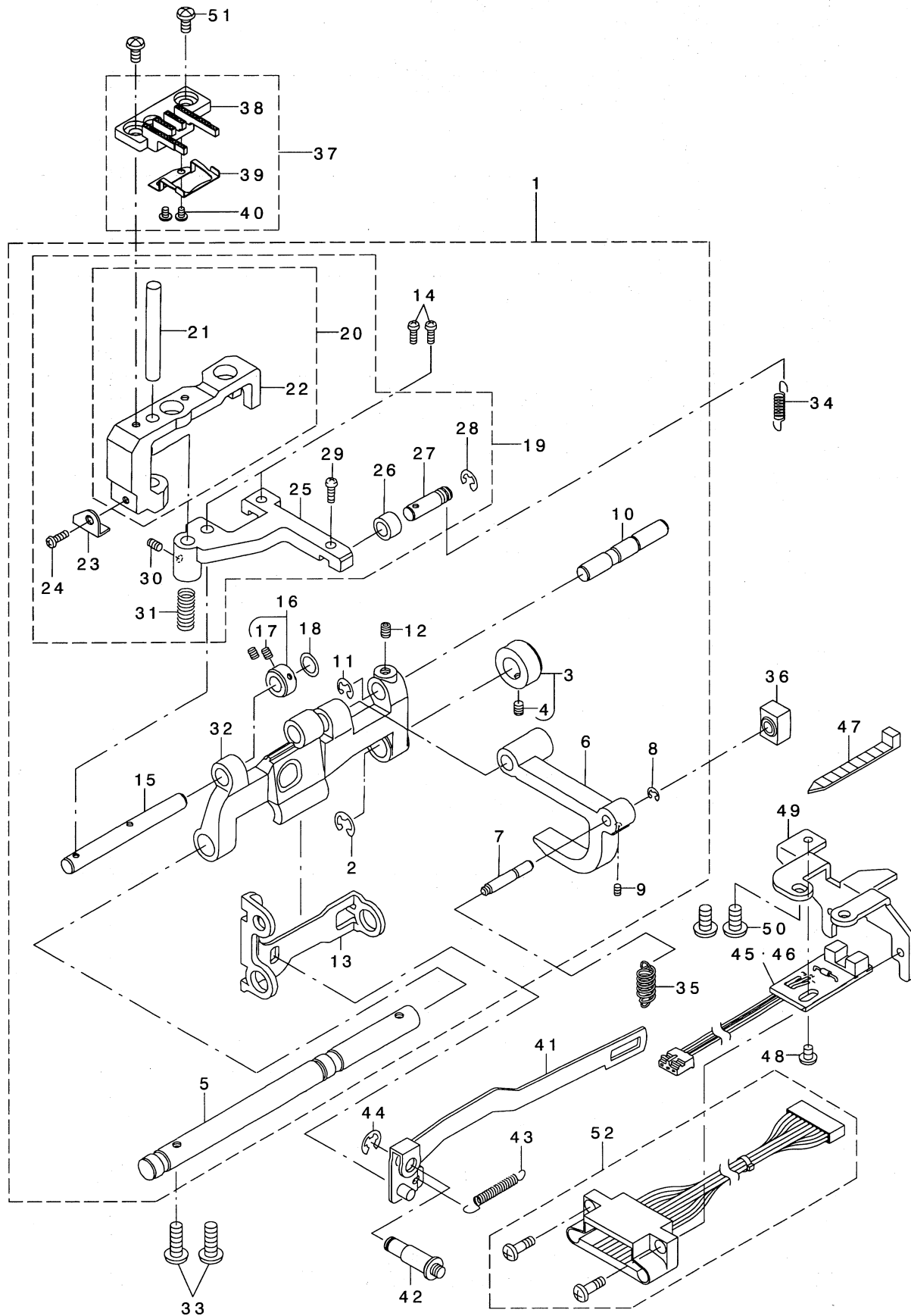
REF NO.	NOTE	PART NO.	PART DESCRIPTION	QTY
1		386216	BALL BEARING GUARD PLATE (FRONT)	1
2		283502	SCREW	1
3		386231	HOOK LOCATING BASE (PARTIAL ASM.)	1
4		385352	WASHER	(1)
5		386193	LOOPER (ASM.) (B)	1
6		386192	LOOPER (ASM.) (A)	(1)
7		386194	LOOPER ADJUSTING PLATE	(1)
8		386198	SPRING	(1)
9		385349	WASHER	(1)
10		283459	E RING	(1)
11		283508	SCREW	(1)
12		386482	NUT	(1)
13		386221	FEED LINK (ASM.)	1
14		386220	FEED LINK	(1)
15		386224	FEED ROLLER	(1)
16		386222	FEED ROLLER SHAFT	(1)
17		283459	E RING	(1)
18		283460	E RING	(1)
19		283527	WASHER	(1)
20		283506	SCREW	(1)
21		386223	FEED LINK SHAFT	1
22		283511	SCREW	1
23		283460	E RING	1
24		283528	WASHER	1
25		386219	HOOK TURN STOPPER	1
26		386218	INTER-HOOK HOLDING PLATE	(1)
27		385212	INTER-HOOK HOLDING PLATE SPRING	(1)
28		385335	SCREW	(1)
29		386237	KNIFE BASE LOCATING PLATE (B) (ASM.)	1
30		283459	E RING	(1)
31		386531	WASHER	(1)
32		386246	SPRING WASHER	(1)
33		386243	MOVING KNIFE LINK (B) (ASM.)	(1)
34		386242	MOVING KNIFE LINK (B)	(1)
35		386241	MOVING KNIFE LINK (A)	(1)
36		283488	SCREW	(2)
37		386236	LOCATING PLATE (A) (ASM.)	(1)
38		386235	MOVING KNIFE (ASM.)	(1)
39		386244	MOVING KNIFE BASE FITTING PLATE SHAFT	(1)
40		283460	E RING	(2)
41		283511	SCREW	1
42		386197	LOOPER DRIVING SHAFT (RIGHT)	1
43		283459	E RING	2
44		283449	NUT	1
45		386195	SPRING	1
46		386199	LOOPER DRIVING SHAFT (LEFT)	1
47		283458	E RING	2
48		386529	WASHER	1
49		283470	SCREW	1
50		386238	KNIFE GUIDE PLATE (UPPER)	1
51		386239	KNIFE GUIDE PLATE (LOWER)	1
52		386240	GUIDE PLATE COLLAR	1
53		385340	SCREW	1
54		386227	HOOK (ASM.)	1
55		386006	BOBBIN CASE (ASM.)	(1)
56		386230	BOBBIN CASE PILE	(1)
57		386226	ROTATING HOOK (TOTAL ASM.)	(1)
58		386225	OUTER HOOK (ASM.)	(1)
59		386228	RUBBER MAGNET	(1)
60		386215	HOOK SHAFT (ASM.)	(1)
61		385352	WASHER	(1)
62		283511	SCREW	1
63		386466	BOBBIN	1
64		283460	E RING	1
65		283488	SCREW	2

9. THROAT PLATE AND HOOK DRIVING SHAFT COMPONENTS



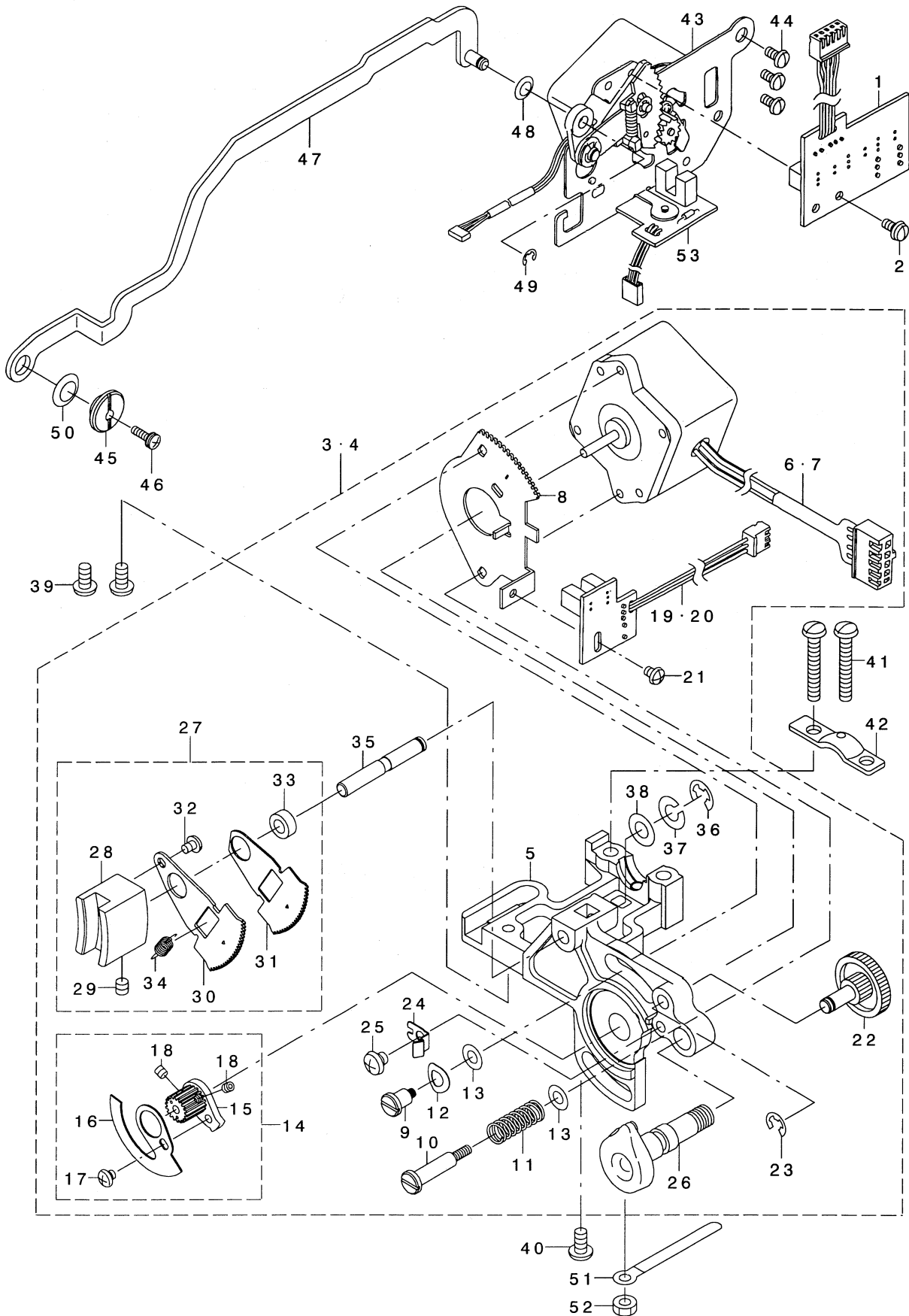
REF NO.	NOTE	PART NO.	PART DESCRIPTION	QTY
1		386056	NEEDLE PLATE (ASM.)	1
2		386093	NEEDLE PLATE (PARTIAL ASM.)	(1)
3		386062	NEEDLE PILE	(1)
4		386229	NEEDLE PLATE RUBBER	(1)
5		386058	HOOK COVER GUARD PLATE (RIGHT)	(1)
6	*	385110	HOOK COVER OPEN/CLOSE BUTTON	(1)
7		386060	BOBBIN CASE COVER	(1)
8		386505	SCREW	(2)
9		283478	SCREW	(1)
10		385335	SCREW	(1)
11		386057	HOOK COVER SPRING	(1)
12		386059	STOPPING PLATE (LEFT)	(1)
13		386002	BOBBIN CASE COVER (ASM.)	1
14		386061	HOOK COVER PILE	(1)
15		283477	SCREW	2
16		386211	FEED STM (ASM.) (120V)	1
17		386576	FEED STM (ASM.) (230V)	1
18		386200	FEED STM GEAR (ASM.)	1
19		283506	SCREW	(2)
20		283459	E RING	1
21		386206	GEAR FITTING PLATE (ASM.) (B)	1
22		386205	GEAR FITTING PLATE (ASM.) (A)	(1)
23		386207	THREAD CUTTER GEAR	(1)
24		386209	THREAD CUTTER GEAR LINK	(1)
25		283528	WASHER	(1)
26		283460	E RING	(1)
27		283502	SCREW	2
28		386092	FREE ARM GUARD (ASM.) (B)	1
29		386091	FREE ARM GUARD (ASM.) (A)	(1)
30		386266	KNIFE RELEASE LINK	(1)
31		283459	E RING	(2)
32		283502	SCREW	6
33		386234	LOOPER RELEASE PLATE (ASM.)	1
34		283527	WASHER	1
35		386232	DF LINK	1
36		386233	SPRING	1
37		283460	E RING	2
38		283502	SCREW	3
39		386504	SCREW	1
40		386264	KNIFE RELEASE PLATE (ASM.)	1
41		386262	KNIFE DRIVING LINK (ASM.)	1
42		386265	KNIFE RELEASE PLATE SPRING	1
43		385352	WASHER	1
44		283460	E RING	1
45		283460	E RING	1
46		386263	KNIFE DRIVING LINK SPRING	1
47		283459	E RING	1
48		386213	HOOK DRIVING SHAFT (ASM.)	1
49		386214	LOWER SHAFT PULLEY	(1)
50		386212	HOOK DRIVING SHAFT	(1)
51		283457	PULLEY PIN	(1)
52		283462	E RING	(1)
53		283462	E RING	(1)
54		385137	THRUST COLLAR (ASM.)	(1)
55		283511	SCREW	(2)
56		386151	FEED CAM	(1)
57		283048	SCREW	(1)
58		385207	HOOK DRIVING GEAR	(1)
59		283511	SCREW	(2)
60		386190	FEED CAM	(1)
61		386191	CAM GUIDE PIN	(1)
62		386261	THREAD CUTTER CAM	(1)
63		385332	HOOK DRIVING SHAFT PULLEY PIN	(1)
64		386196	LOOPER CAM	(1)
65		385332	HOOK DRIVING SHAFT PULLY PIN	(1)
66		283186	HOOK DRIVING SHAFT BALL BEARING	(2)
67		283497	SCREW	2

10. FEED MECHANISM COMPONENTS



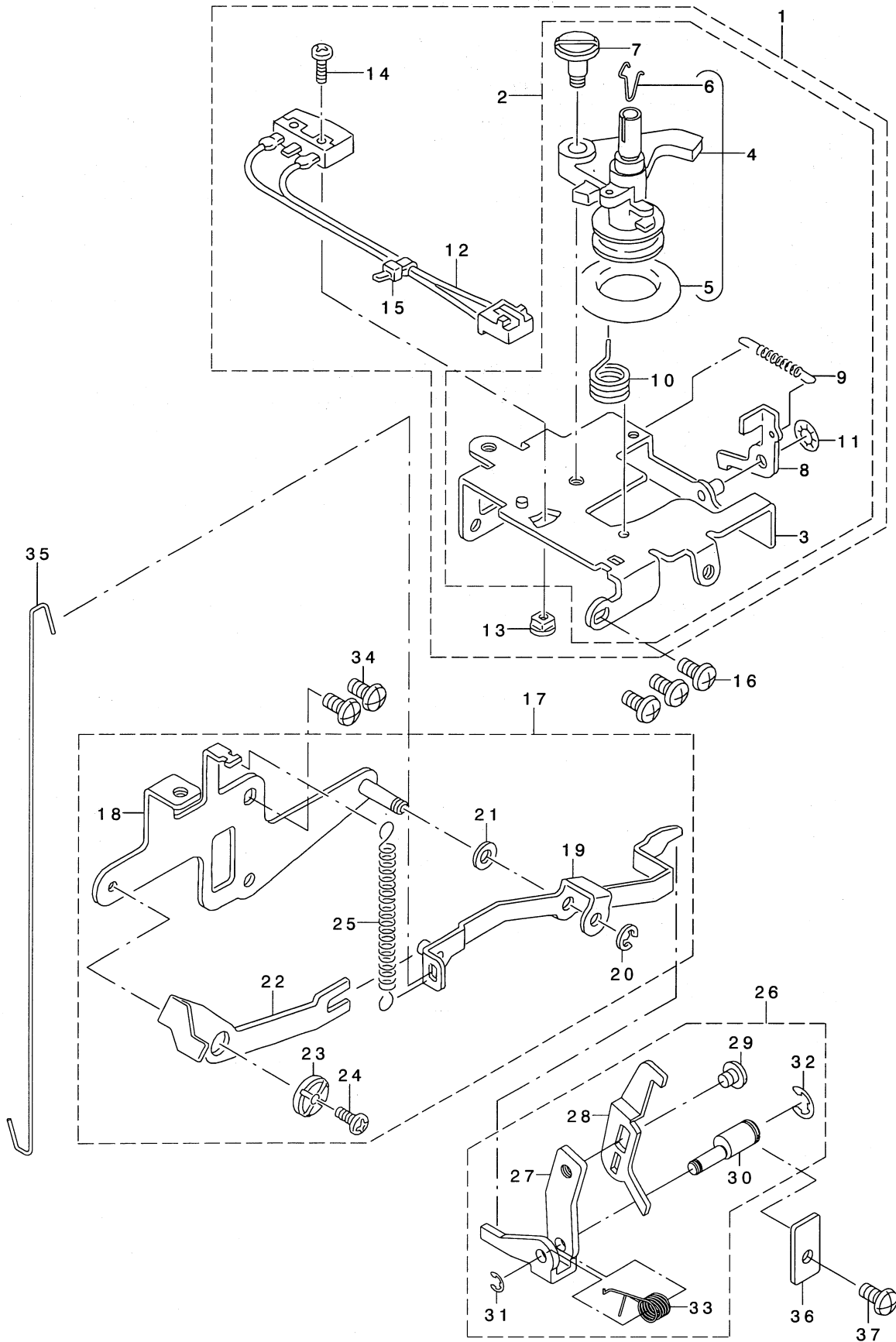
REF NO.	NOTE	PART NO.	PART DESCRIPTION	QTY
1		386160	FEED ARM (ASM.)	1
2		283462	E RING	(1)
3		385137	THRUST COLLAR (ASM.)	(1)
4		283511	SCREW	(2)
5		386146	FEED ARM SHAFT	(1)
6	*	386162	FORKED ROD	(1)
7		386170	SLIDE BLOCK SHAFT	(1)
8		283459	E RING	(1)
9		283506	SCREW	(1)
10		386157	FORKED ROD SHAFT	(1)
11		283460	E RING	(1)
12		283511	SCREW	(1)
13		386204	FEED DRIVING PLATE	(1)
14		283491	SCREW	(2)
15		386158	FEED BAR LINK SHAFT	(1)
16		386164	FEED BAR LINK THRUST COLLAR (ASM.)	(1)
17		283506	SCREW	(2)
18		386165	LINK WASHER	(1)
19		386149	FEED BAR (ASM.)	(1)
20		386148	FEED BAR (PARTIAL ASM.)	(1)
21	*	386156	FEED BAR GUIDE SHAFT	(1)
22	*	386147	FEED BAR	(1)
23	*	386161	FEED BAR ROLLER GUARD PLATE	(1)
24	*	283488	SCREW	(1)
25	*	386150	FEED BAR LINK	(1)
26		386152	FEED BAR LINK ROLLER	(1)
27		386153	FEED BAR LINK ROLER SHAFT	(1)
28		283459	E RING	(1)
29		283491	SCREW	(1)
30	*	283506	SCREW	(1)
31	*	386155	SPRING	(1)
32	*	386159	FEED ARM	(1)
33		283503	SCREW	2
34		386154	LINK SPRING	1
35		386163	SPRING	1
36		386169	FEED REGULATOR SLIDE BLOCK	1
37		386175	FEED DOG (ASM.)	1
38		386174	FEED DOG	(1)
39		386176	PLATE SPRING	(1)
40		385336	SCREW	(2)
41		386201	FEED LINK (ASM.)	1
42		386202	FEED LINK SHAFT	1
43		386203	LINK SPRING	1
44		283460	E RING	1
45		386210	FEED DETECTION BOARD (ASM.) (120V)	1
46		386577	FEED DETECTION BOARD (ASM.) (230V)	1
47		283355	BAND	1
48		283488	SCREW	1
49		386208	FEED DETECTION BOARD FITTING PLATE	1
50		283502	SCREW	2
51		283491	SCREW	2
52		386435	DRIVER BAND WIRE (ASM.) (WITH SCREW)	1

11. FEED STM AND NEEDLE VIBRATION STM COMPONENTS



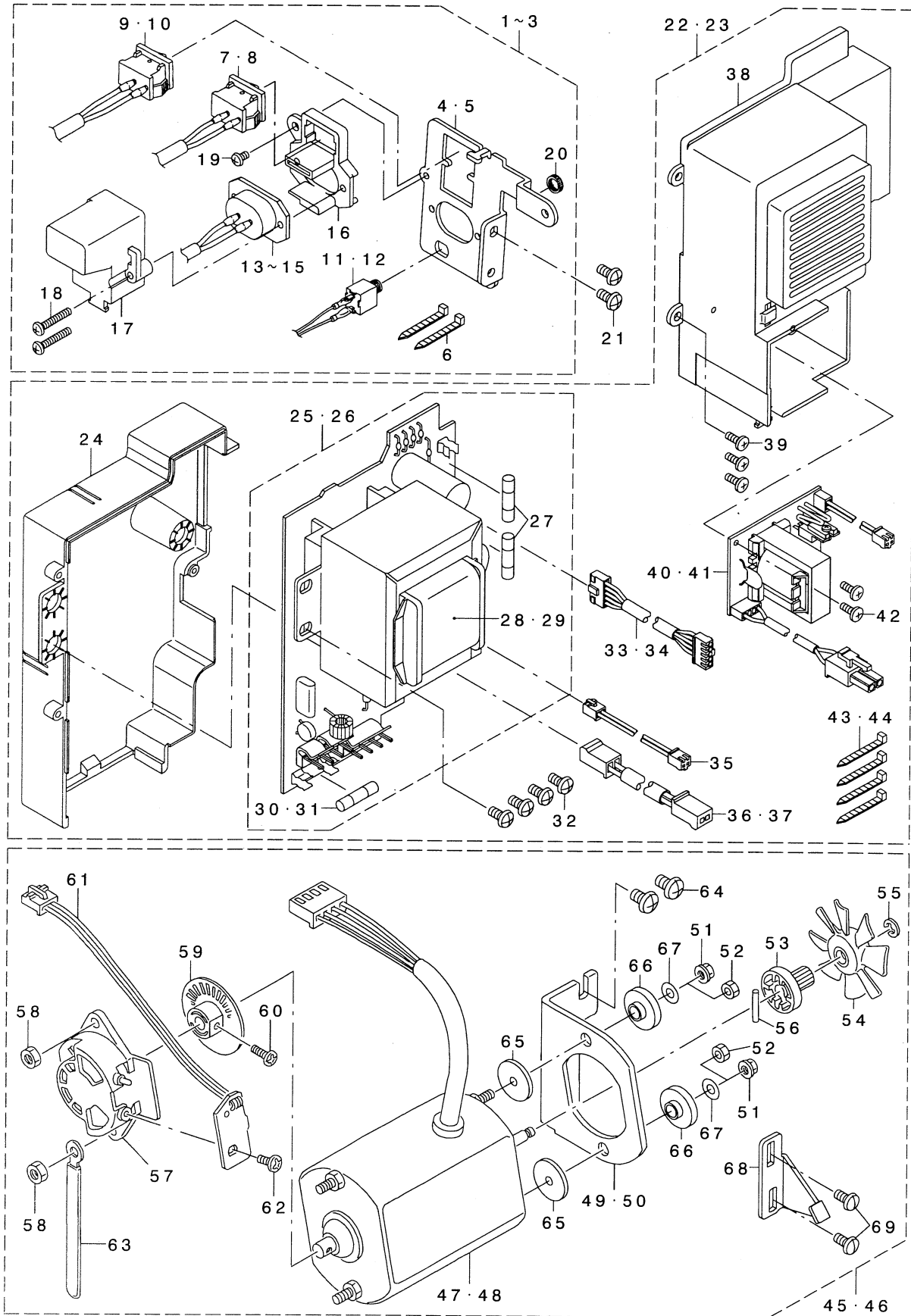
REF NO.	NOTE	PART NO.	PART DESCRIPTION	QTY
1		386357	MAIN SHAFT DETECTOR CIRCUIT BOARD (ASM.)	1
2		283470	SCREW	1
3		386179	FEED STM MOUNTING BASE (ASM.) (120V)	1
4		386551	FEED STM MOUNTING BASE (ASM.) (230V)	1
5		386178	FEED STM MOUNTING BASE	(1)
6	*	386189	FEED STM (ASM.) (120V)	(1)
7	*	386575	FEED STM (ASM.) (230V)	(1)
8		386177	FEED STM ADJUSTING PLATE	(1)
9		386183	HINGE SCREW A	(1)
10		386184	HINGE SCREW B	(1)
11		386188	STM SPRING	(1)
12		283215	SPRING WASHER	(1)
13		386534	WASHER	(2)
14	*	386182	STM GEAR (ASM.)	(1)
15	*	386250	STM GEAR	(1)
16	*	386181	FEED STM SHELTER PLATE	(1)
17		386507	SCREW	(1)
18		386522	SCREW	(2)
19		386180	FEED DETECTION BOARD (ASM.) (120V)	(1)
20		386577	FEED DETECTION BOARD (ASM.) (230V)	(1)
21		283488	SCREW	(1)
22		386185	INTERMEDIATE GEAR	(1)
23		283460	E RING	(1)
24		386186	FEED DIAL PLATE SPRING	(1)
25		283497	SCREW	(1)
26		386187	ADJUSTMENT DIAL	(1)
27		386168	FEED REGULATOR (ASM.)	(1)
28		386166	FEED REGULATOR	(1)
29		283511	SCREW	(1)
30		386172	FEED REGULATOR GEAR A	(1)
31		386173	FEED REGULATOR GEAR B	(1)
32		283488	SCREW	(1)
33		386167	COLLAR	(1)
34		385186	SPRING	(1)
35		386171	FEED REGULATOR SHAFT	(1)
36		283460	E RING	(1)
37		386591	WASHER	(1)
38		283215	SPRING WASHER	(1)
39		283502	SCREW	2
40		386513	SCREW	1
41		386521	SCREW	2
42		386217	BALL BEARING GUARD PLATE (REAR)	1
43		386249	NEEDLE BAR ROCKING STM MOUNTING BASE (ASM.)	1
44		283502	SCREW	3
45		386118	ECCENTRIC SHAFT	1
46		283471	SCREW	1
47		386121	NEEDLE BAR ROCKER SHAFT (ASM.)	1
48		386585	SPRING WASHER	1
49		283459	E RING	1
50		385157	WASHER	1
51		283322	CORD HOLDER	1
52		283451	NUT	1
53		386539	NEEDLE BAR ROCKING DETECTOR CIRCUIT BOARD (ASM.)	1

12. THREAD CLUTCH AND SPOOL COMPONENTS



REF NO.	NOTE	PART NO.	PART DESCRIPTION	QTY
1		386320	BOBBIN WINDER COMPONENT MOUNTING BASE (TOTAL ASM.)	1
2		386319	SPOOL (PARTIAL ASM.)	(1)
3		386318	SPOOL REST (ASM.)	(1)
4		386322	SPOOL REST (ASM.)	(1)
5		283308	RUBBER RING	(1)
6		386325	SPRING	(1)
7		386321	HINGE SCREW	(1)
8		386323	CLUTCH DISK	(1)
9		283306	CLUTCH SPRING	(1)
10		386324	SPRING	(1)
11		283304	NUT	(1)
12		386326	BOBBIN WINDER SW (ASM.)	(1)
13		283217	NUT	(1)
14		283485	SCREW	(1)
15		283355	WIRE BAND	(1)
16		283502	SCREW	3
17		386274	FITTING PLATE (TOTAL ASM.)	1
18		386273	FITTING PLATE (ASM.)	(1)
19		386275	THREAD CLUTCH LINK B (ASM.)	(1)
20		283459	E RING	(1)
21		283527	WASHER	(1)
22		386276	THREAD RELEASE LINK	(1)
23		386268	ECCENTRIC COLLAR	(1)
24		283470	SCREW	(1)
25		386269	SPRING	(1)
26		386272	THREAD CUTTER CLUTCH DISK (ASM.)	1
27	*	386271	THREAD CUTTER CLUTCH DISK	(1)
28	*	386277	THREAD CLUTCH DISK CONTACT	(1)
29		283497	SCREW	(1)
30	*	386270	THREAD CLUTCH DISK SHAFT	(1)
31		283459	E RING	(1)
32		283461	E RING	(1)
33	*	386267	SPRING	(1)
34		283502	SCREW	2
35		386278	THREAD CLUTCH LINK A	1
36		283070	SUPPORTING SHAFT RETAINING PLATE	1
37		283502	SCREW	1

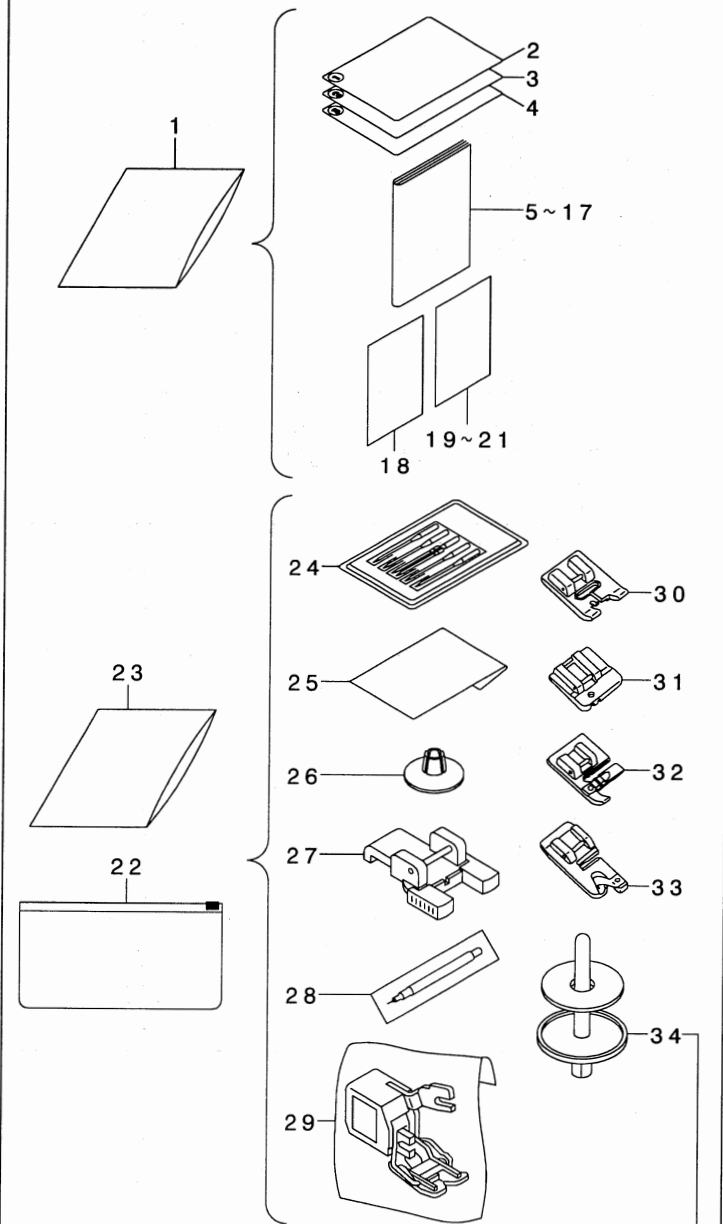
13. ELECTRIC POWER BOARD AND MOTOR COMPONENTS



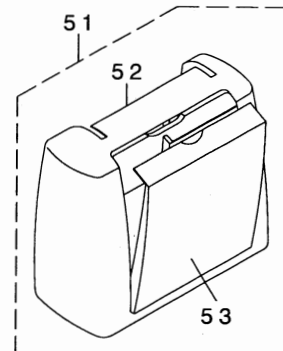
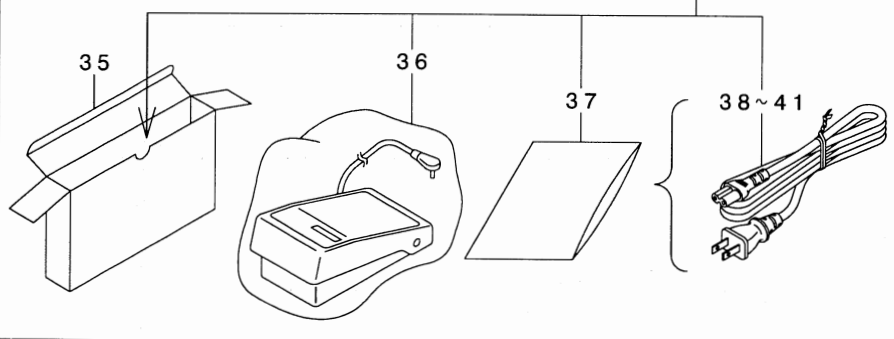
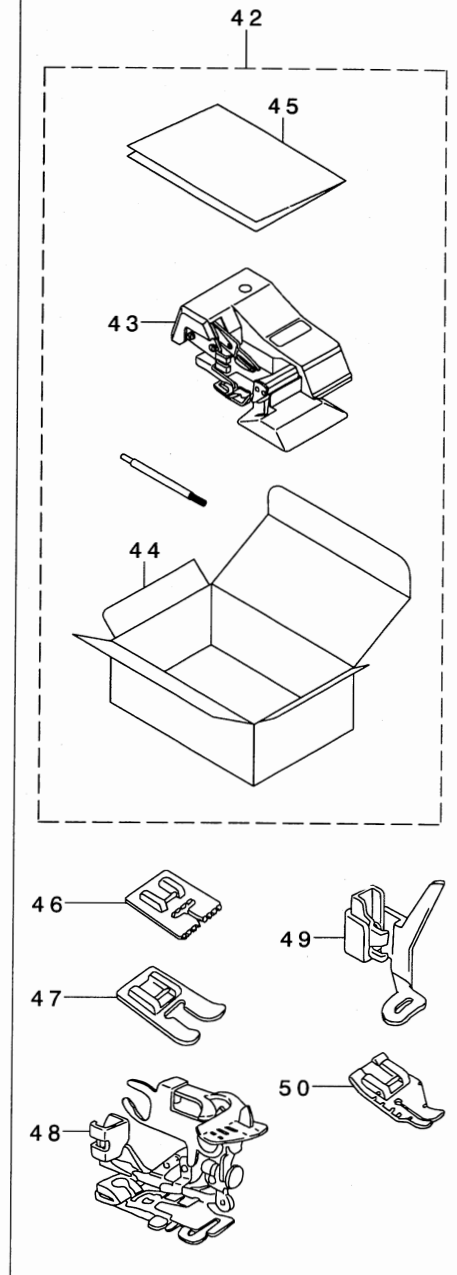
REF NO.	NOTE	PART NO.	PART DESCRIPTION	QTY
1		386368	POWER MOUNTING BASE (ASM.) (120V)	1
2		386553	POWER MOUNTING BASE (ASM.) (230V)	1
3		386562	POWER MOUNTING BASE (ASM.) (230V) (BS ONLY)	1
4		386367	POWER MOUNTING BASE (120V)	(1)
5		386566	POWER MOUNTING BASE (230V)	(1)
6		283355	BAND	(2)
7		386358	POWER SW (ASM.) (120V)	(1)
8		283554	POWER SW (ASM.) (230V)	(1)
9		386359	LIGHT SW (ASM.) (120V)	(1)
10		386567	LIGHT SW (ASM.) (230V)	(1)
11		386352	SPEED CONTROLLER SOCKET (ASM.) (120V)	(1)
12		386556	SPEED CONTROLLER SOCKET (ASM.) (230V)	(1)
13		386366	POWER CORD INLET (ASM.) (120V)	(1)
14		386560	POWER CORD INLET (ASM.) (230V)	(1)
15		386561	POWER CORD INLET (ASM.) (230V) (BS ONLY)	(1)
16		386369	POWER SWITCH BOX (A)	(1)
17		386370	POWER SWITCH BOX (B)	(1)
18		386511	SCREW	(2)
19		386516	SCREW	(1)
20		386589	NUT (230V ONLY)	(1)
21		283502	SCREW	2
22		386354	ELECTRICAL COMPONENT BOX (TOTAL ASM.) (120V)	1
23		386554	ELECTRICAL COMPONENT BOX (TOTAL ASM.) (230V)	1
24		386353	ELECTRICAL COMPONENT BOX (LOWER)	(1)
25		386360	ELECTRIC POWER BOARD (ASM.) (120V)	(1)
26		386579	ELECTRIC POWER BOARD (ASM.) (230V)	(1)
27		386478	FUSE (3.15A) (120/230V)	(2)
28		386371	TRANSFORMER (120V)	(1)
29		386580	TRANSFORMER (230V)	(1)
30		386477	FUSE (5A) (120V)	(1)
31		283689	FUSE (3.15A) (230V)	(1)
32		283502	SCREW	(4)
33		386365	CONNECTING CABLE (ASM.) (120V)	(1)
34		386574	CONNECTING CABLE (ASM.) (230V)	(1)
35		386363	MDR LEAD WIRE (ASM.)	(1)
36		386362	27V CONNECTING CABLE (ASM.) (120V)	(1)
37		386573	27V CONNECTING CABLE (ASM.) (230V)	(1)
38		386355	ELECTRIC DEVICE COVER (UPPER)	(1)
39		283522	SCREW	(3)
40		386356	INVERTER BOARD (ASM.) (120V)	(1)
41		386572	INVERTER BOARD (ASM.) (230V)	(1)
42		283522	SCREW	(2)
43		283355	BAND (120V)	(2)
44		283355	BAND (230V)	(4)
45		386451	MOTOR (B) (ASM.) (120V)	1
46		386557	MOTOR (B) (ASM.) (230V)	1
47		386449	MOTOR (A) (ASM.) (120V)	(1)
48		386569	MOTOR (A) (ASM.) (230V)	(1)
49		386452	MOTOR BRACKET (120V)	(1)
50		386570	MOTOR BRACKET (230V)	(1)
51		283448	NUT (120V)	(2)
52		283451	NUT (230V)	(2)
53		386447	MOTOR SHAFT PULLEY	(1)
54		386448	MOTOR SHAFT PULLEY FLANGE	(1)
55		283227	ARCH SHAPPED E RING	(1)
56		283457	PULLEY PIN	(1)
57		386457	MOTOR BOARD FITTING BASE	(1)
58		283451	NUT	(2)
59		283375	SHIELDING PLATE	(1)
60		283473	SCREW	(1)
61		386458	MP DETECTION BOARD (ASM.)	(1)
62		283522	SCREW	(1)
63		283323	CORD HOLDER (120V)	(1)
64		385345	SCREW	(2)
65		283665	MOTOR INSULATE RING (230V)	(2)
66		283666	MOTOR INSULATE BUSHING (230V)	(2)
67		283697	WASHER	(2)
68		386590	BELT GUIDE	(1)
69		283502	SCREW	(2)

14. ACCESSORIES PARTS (2) AND OPTIONAL PARTS COMPONENTS

ACCESSORIES PARTS(2)



OPTIONAL PARTS

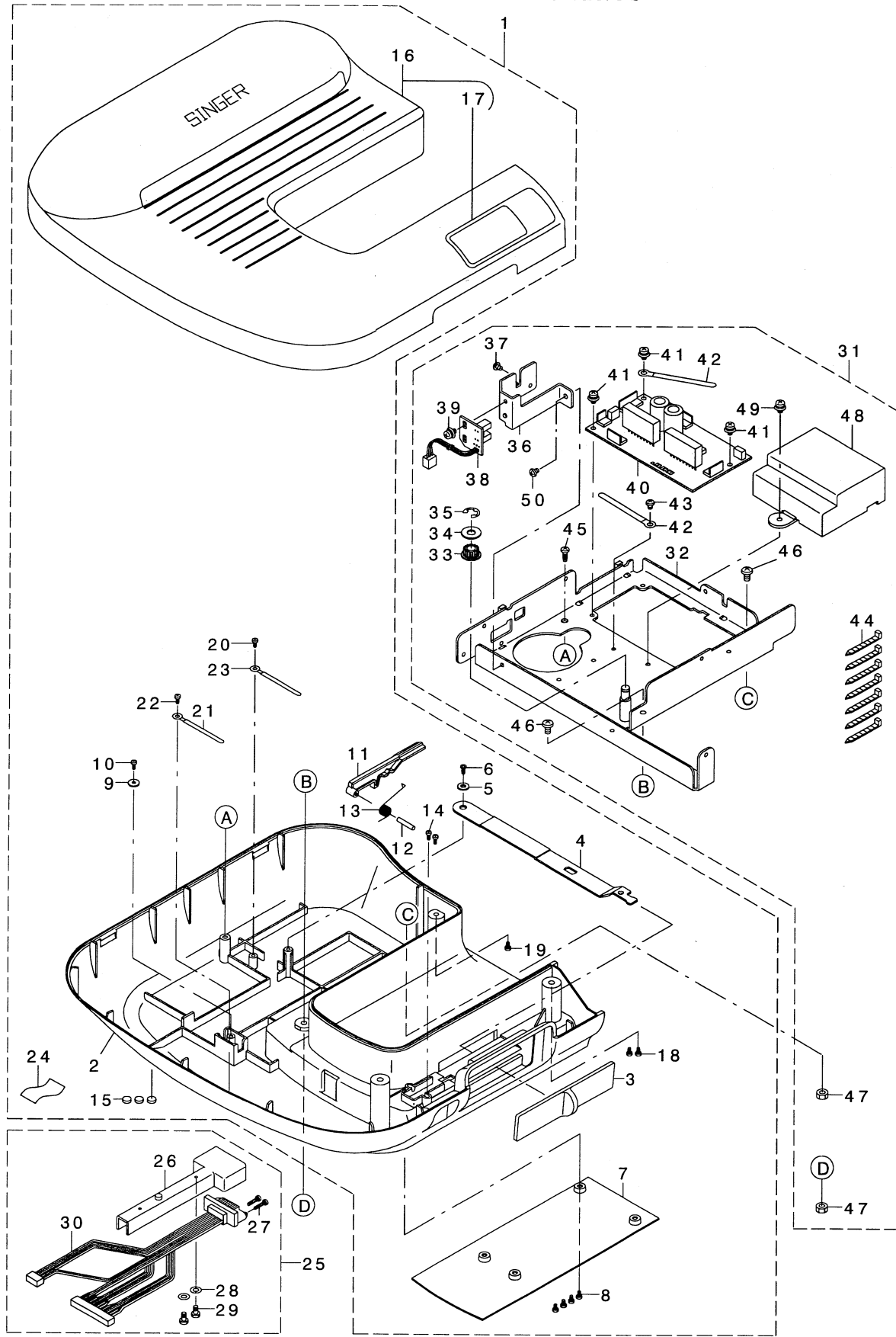


REF NO.	NOTE	PART NO.	PART DESCRIPTION	QTY
1		386472	VINYL BAG	1
2		386024	STITCH GUIDE (1)	1
3		386025	STITCH GUIDE (2)	1
4		386026	STITCH GUIDE (3)	1
5		386035	INSTRUCTION MANUAL---GB/GR/SIN	1
6		386036	INSTRUCTION MANUAL---GER/AUS	1
7		386037	INSTRUCTION MANUAL---NL	1
8		386038	INSTRUCTION MANUAL---ITA	1
9		386039	INSTRUCTION MANUAL---SPN	1
10		386040	INSTRUCTION MANUAL---POR	1
11		386041	INSTRUCTION MANUAL---FIN	1
12		386042	INSTRUCTION MANUAL---SWE	1
13		386043	INSTRUCTION MANUAL---NOR	1
14		386542	INSTRUCTION MANUAL---DK	1
15		386543	INSTRUCTION MANUAL---BEL	1
16		386544	INSTRUCTION MANUAL---USA/HKG/TWN	1
17		386545	INSTRUCTION MANUAL---AUST	1
18		386475	REGISTRATION CARD---USA ONLY	1
19		386474	WARRANTY CARD---USA	1
20		283685	WARRANTY CARD---AUST	1
21		283686	WARRANTY CARD---GB	1
22		283676	ACCESSORY BAG	1
23		283414	VINYL BAG	1
24		386033	NEEDLE PACK	1
25		283680	WING NEEDLE	1
26		386003	SMALL SPOOL CAP	1
27		283677	BUTTON SEWING FOOT	1
28		283425	ASSISTANT MARKER	1
29		386020	EVEN FEED FOOT (ASM.)	1
30		386027	TRANSPARENT BUTTONHOLE FOOT (ASM.)	1
31		386015	INVISIBLE ZIPPER FOOT (ASM.)	1
32		386013	CORDING FOOT (ASM.)	1
33		386011	ROLLED HEMMING FOOT (ASM.)	1
34		386019	AUXILIARY SPOOL PIN AND FELT	1
35		283688	SPEED CONTROLLER BOX (230V ONLY)	1
36		385091	CONTROLLER (ASM.)	1
37		386479	POWER CORD BAG	1
38		283647	ELECTRIC POWER CORD (ASM.)---UL	1
39		283545	ELECTRIC POWER CORD (ASM.)---CEE	1
40		283546	ELECTRIC POWER CORD---SAA	1
41		283547	ELECTRIC POWER CORD---BS	1
a) 42		386001	SIDE CUTTER (ASM.)	1
43		386469	SIDE CUTTER (ASM.)	(1)
44		386470	SIDE CUTTER PACKAGE	(1)
45		386471	INSTRUCTION MANUAL FOR SIDE CUTTER	(1)
b) 46		386022	PINTUCK FOOT	1
c) 47		386023	OPEN TOE EMBROIDERY FOOT	1
48		386028	RUFFLER PRESSER FOOT	1
49		386017	DARNING FOOT (ASM.)	1
50		386005	QUILTER'S FOOT	1
51		386559	CASE (ASM.)---USA/TWN OPTIONAL PARTS	1
52		386592	CASE---USA/TWN OPTIONAL PARTS	(1)
53		386593	LID---USA/TWN OPTIONAL PARTS	(1)

a).... 386001 ORDERS TO HONG KONG SINGER
b).... 386022 ORDERS TO TAIWAN SINGER
c).... 386023 ORDERS TO TAIWAN SINGER

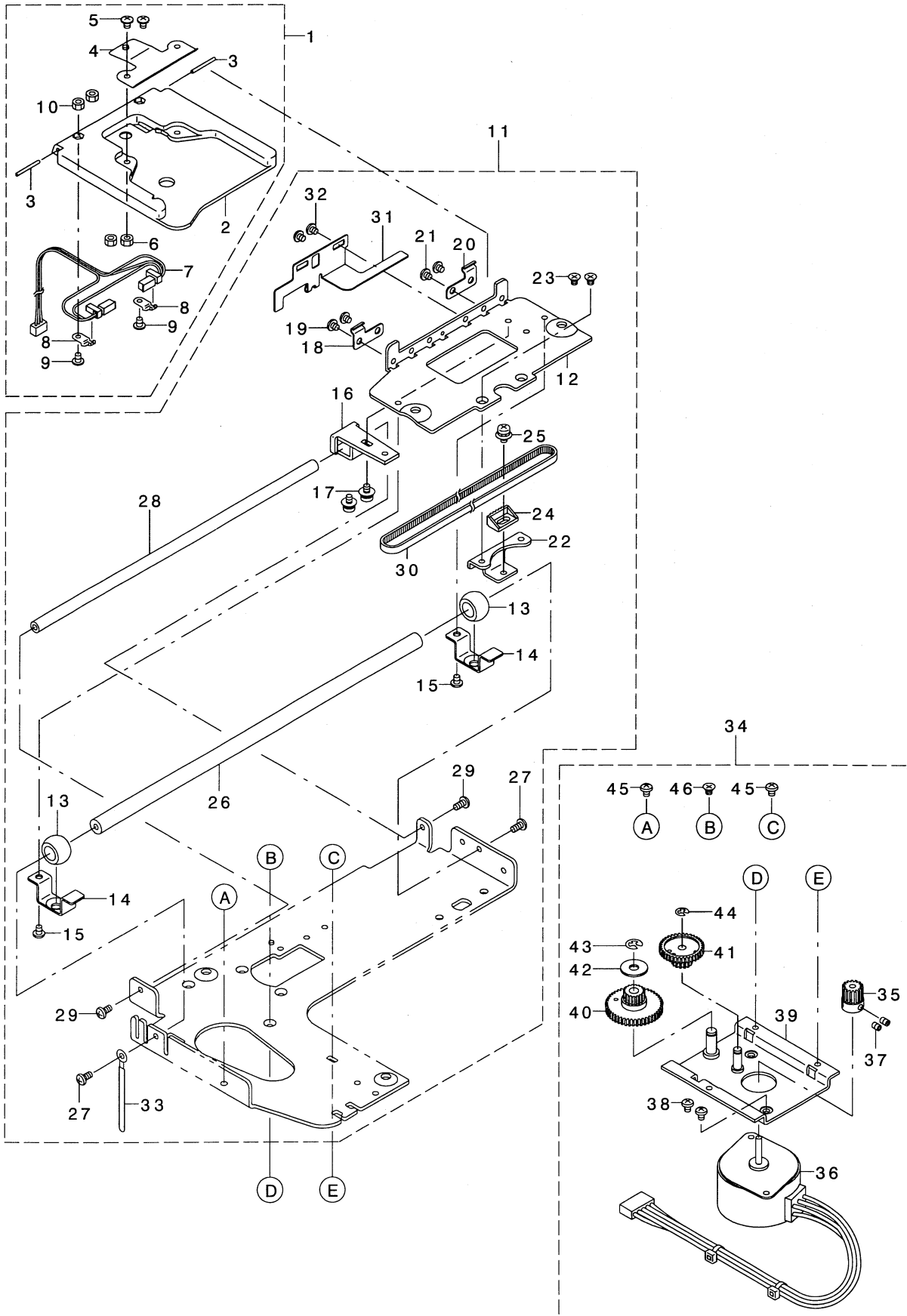
EMBROIDERY UNIT COMPONENTS

15. LOWER COVER AND MAIN FRAME COMPONENTS



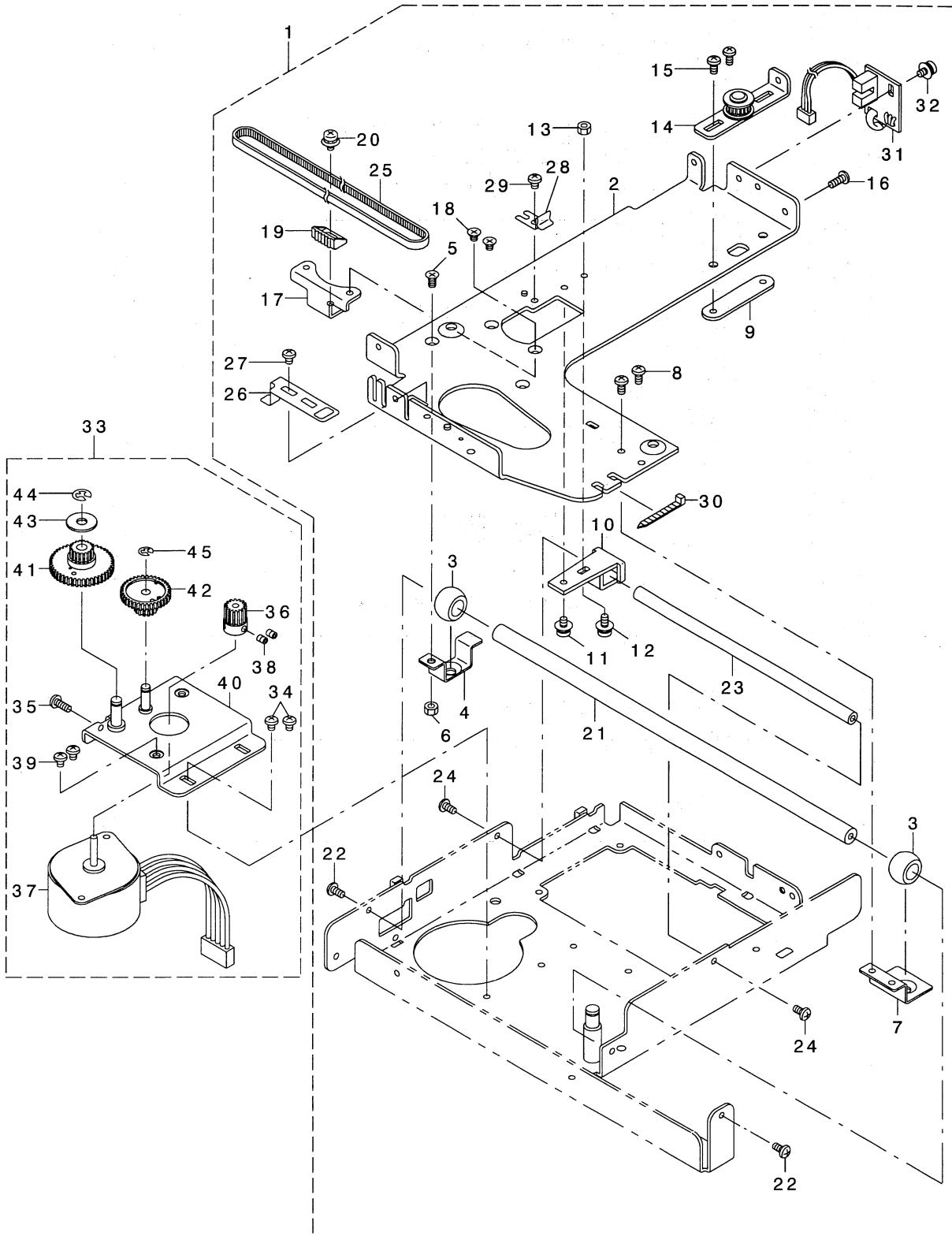
REF NO.	NOTE	PART NO.	PART DESCRIPTION	QTY
1		386413	BOTTOM COVER (ASM.)	1
2		386412	BOTTOM COVER	(1)
3		386416	KNOB	(1)
4		386415	LEVER	(1)
5		386530	WASHER	(1)
6		386525	SCREW	(1)
7		386422	CONNECTOR COVER	(1)
8		386525	SCREW	(4)
9		386530	WASHER	(1)
10		386525	SCREW	(1)
11		386419	HOOK	(1)
12		386420	HOOK SHAFT	(1)
13		386421	SPRING	(1)
14		386525	SCREW	(2)
15		386425	RUBBER FOOT	(3)
16		386411	UPPER COVER	(1)
17		386427	CAUTION SEAL	(1)
18		386527	SCREW FRONT	(2)
19		386526	SCREW REAR	(1)
20		386525	SCREW	(1)
21		283322	CORD HOLDER (SMALL)	(1)
22		386525	SCREW	(1)
23		283322	CORD HOLDER (1)	(1)
24		386480	PACKAGING TAPE	(1)
25		386418	CONNECTOR SUPPORT (ASM.)	1
26		386417	CONNECTOR SUPPORT	(1)
27		386526	SCREW	(2)
28		386530	WASHER	(2)
29		386525	SCREW	(2)
30		386434	DRIVER CABLE (ASM.)	(1)
31		386404	MAIN FRAME (ASM.)	1
32		386403	MAIN FRAME	(1)
33		386393	PULLEY	(1)
34		386533	PULLEY FLANGE	(1)
35		283461	E RING	(1)
36		386424	SENSOR BRACKET	(1)
37		386508	SCREW	(2)
38		386432	Y COORDINATE SENSOR CIRCUIT BOARD (ASM.)	(1)
39		386493	SCREW	(1)
40		386428	STM DRIVING CIRCUIT BOARD	(1)
41		386493	SCREW	(3)
42		283322	CORD HOLDER	(2)
43		386508	SCREW	(1)
44		283355	BAND	(7)
45		386527	SCREW REAR	(1)
46		386512	SCREW FRONT	(2)
47		283451	NUT	(2)
48		386423	ELECTRIC POWER BOARD COVER	(1)
49		386493	SCREW	(1)
50		283471	SCREW	(1)

16. X DRIVING PLATE AND FRAME HOLDER COMPONENTS



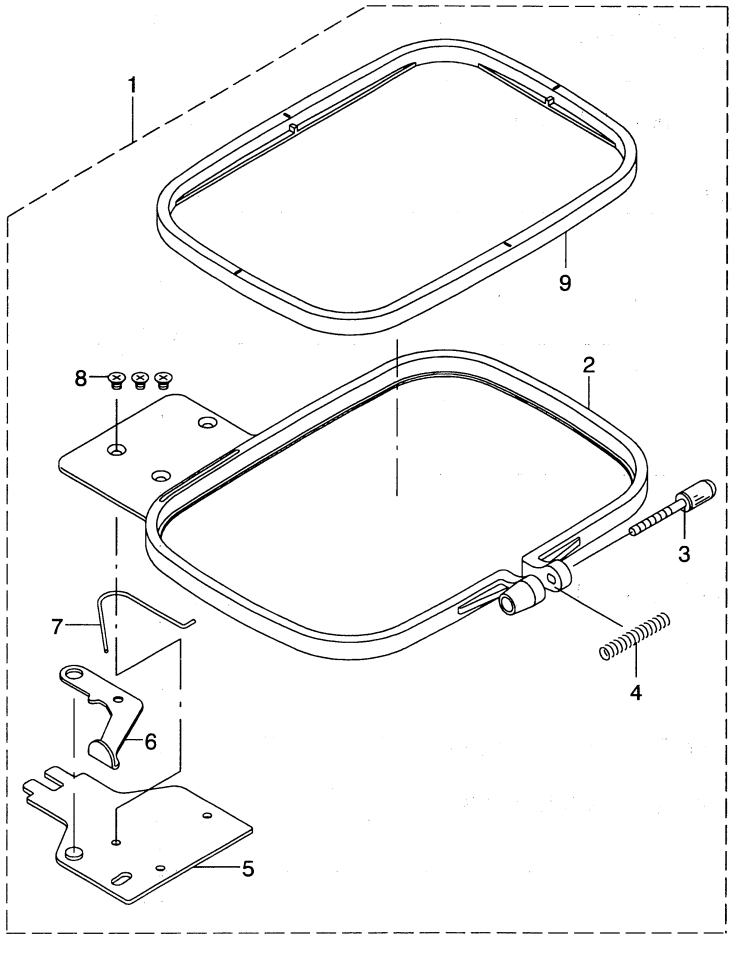
REF NO.	NOTE	PART NO.	PART DESCRIPTION	QTY
1		386406	EMBROIDERY FRAME HOLDER (ASM.)	1
2		386405	EMBROIDERY FRAME HOLDER	(1)
3		386488	FRAME HOLDER SUPPORT SHAFT	(2)
4		386407	CLAMP SPRING (ASM.)	(1)
5		386501	SCREW	(2)
6		386484	NUT	(2)
7		386433	FRAME DETECTION SWITCH (ASM.)	(1)
8		386408	SWITCH PRESSER	(2)
9		386501	SCREW	(2)
10		386484	NUT	(2)
11		386389	X COORDINATE DRIVING PLATE (ASM.)	1
12		386388	X COORDINATE DRIVING PLATE	(1)
13		386383	X.Y DRIVING SHAFT GLARD	(2)
14		386385	X.Y DRIVING SHAFT PRESSER	(2)
15		386508	SCREW	(2)
16		386387	GUIDE SHAFT GUARD	(1)
17		386493	SCREW	(2)
18		386409	FRAME HOLDER SUPPORT (LEFT)	(1)
19		386506	SCREW	(2)
20		386410	FRAME HOLDER SUPPORT (RIGHT)	(1)
21		386506	SCREW	(2)
22		386391	BELT GUARD	(1)
23		386502	SCREW	(2)
24		386392	BELT PRESSER	(1)
25		386492	SCREW	(1)
26		386382	X DRIVING SHAFT	(1)
27		386509	SCREW	(2)
28		386386	X GUIDE SHAFT	(1)
29		386509	SCREW	(2)
30		386390	X COORDINATE DEIVING BELT	(1)
31		386401	X SENSOR SHELTER PLATE	(1)
32		386506	SCREW	(2)
33		386333	CORD HOLDER	(1)
34		386378	X COORDINATE DRIVING SYSTEM (ASM.)	1
35		386376	MOTOR GEAR	(1)
36		386429	X STM (ASM.)	(1)
37		386522	SCREW	(2)
38		386508	SCREW	(2)
39		386536	X MOTOR BRACKET (ASM.)	(1)
40		386535	GEAR A	(1)
41		386377	INTERMEDIATE GEAR A	(1)
42		386532	WASHER	(1)
43		386490	E RING	(1)
44		283459	E RING	(1)
45		386508	SCREW	(2)
46		386502	SCREW	(1)

17. Y DRIVING PLATE COMPONENTS

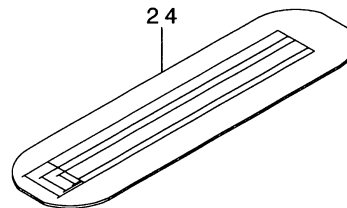
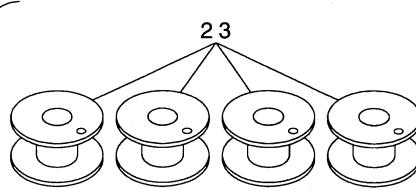
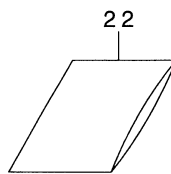
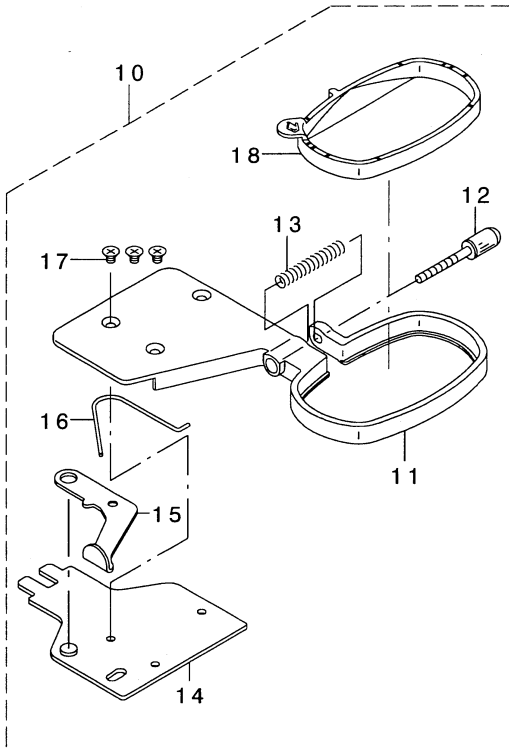
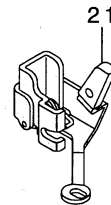
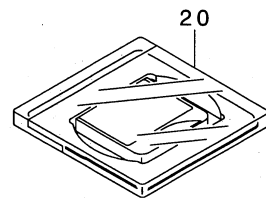
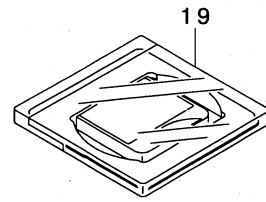


REF NO.	NOTE	PART NO.	PART DESCRIPTION	QTY
1		386399	Y COORDINATE DRIVING PLATE (ASM.)	1
2		386398	Y COORDINATE DRIVING PLATE	(1)
3		386383	X.Y DRIVING SHAFT GUARD	(2)
4		386385	X.Y DRIVING SHAFT PRESSER	(1)
5		386503	SCREW	(1)
6		386481	NUT	(1)
7		386396	Y DRIVING SHAFT GUARD PRESSER	(1)
8		386509	SCREW	(2)
9		386426	NUT	(1)
10		386387	GUIDE SHAFT GUARD	(1)
11		386493	SCREW	(1)
12		386498	SCREW	(1)
13		386481	NUT	(1)
14		386394	X PULLEY BRACKET (ASM.)	(1)
15		386509	SCREW	(2)
16		386510	SCREW	(1)
17		386391	BELT GUARD	(1)
18		386502	SCREW	(2)
19		386392	BELT PRESSER	(1)
20		386493	SCREW	(1)
21		386395	Y DRIVING SHAFT	(1)
22		386509	SCREW	(2)
23		386397	Y GUIDE SHAFT	(1)
24		386509	SCREW	(2)
25		386400	Y COORDINATE DRIVING BELT	(1)
26		386402	SHELTER PLATE	(1)
27		386508	SCREW	(1)
28		386414	CORD CLIP	(1)
29		386508	SCREW	(1)
30		283355	BAND	(1)
31		386431	X COORDINATE SENSOR CIRCUIT BOARD	(1)
32		386493	SCREW	(1)
33		386381	Y COORDINATE DRIVING SYSTEM (ASM.)	1
34		386508	SCREW	(2)
35		386510	SCREW	(1)
36		386376	MOTOR GEAR	(1)
37		386430	X STM (ASM.)	(1)
38		386522	SCREW	(2)
39		386508	SCREW	(2)
40		386380	X MOTOR BRACKET (ASM.)	(1)
41		386535	GEAR A	(1)
42		386377	INTERMEDIATE GEAR A	(1)
43		386532	WASHER	(1)
44		386490	E RING	(1)
45		283459	E RING	(1)

18. EMBROIDERY FRAME AND ACCESSORIES PARTS COMPONENTS



ACCESSORIES PARTS



REF NO.	NOTE	PART NO.	PART DESCRIPTION	QTY
1		386008	EMBROIDERY FRAME (ASM.)	1
2		386436	LARGE OUTSIDE FRAME (ASM.)	(1)
3		386441	KNOB SCREW	(1)
4		386442	FRAME RELEASE SPRING	(1)
5		386437	LARGE FRAME FLAT (ASM.)	(1)
6		386443	FRAME RELEASE LEVER	(1)
7		386444	LEVER REVOLVING SPRING	(1)
8		386502	SCREW	(3)
9		386379	LARGE INSIDE FRAME	(1)
10		386009	INITIAL LETTER EMBROIDERY FRAME (ASM.)	1
11		386438	POCKET OUTSIDE FRAME (ASM.)	(1)
12		386441	KNOB SCREW	(1)
13		386442	FRAME RELEASE SPRING	(1)
14		386439	POCKET FRAME BRACKET (ASM.)	(1)
15		386443	FRAME RELEASE SPRING	(1)
16		386444	LEVER REVOLVING SPRING	(1)
17		386502	SCREW	(3)
18		386440	POCKET INSIDE FRAME	(1)
19		386044	LETTERS CARTRIDGE	1
20		386045	SAMPLER CARTRIDGE	1
21		386010	EMBROIDERY PRESSER FOOT (ASM.)	1
22		386479	LETTER EMBROIDERY GUIDE BAG	1
23		386466	BOBBIN	4
24		386007	LETTER EMBROIDERY GUIDE	1

Note....Refer to catalog for embroidery card (Option).

