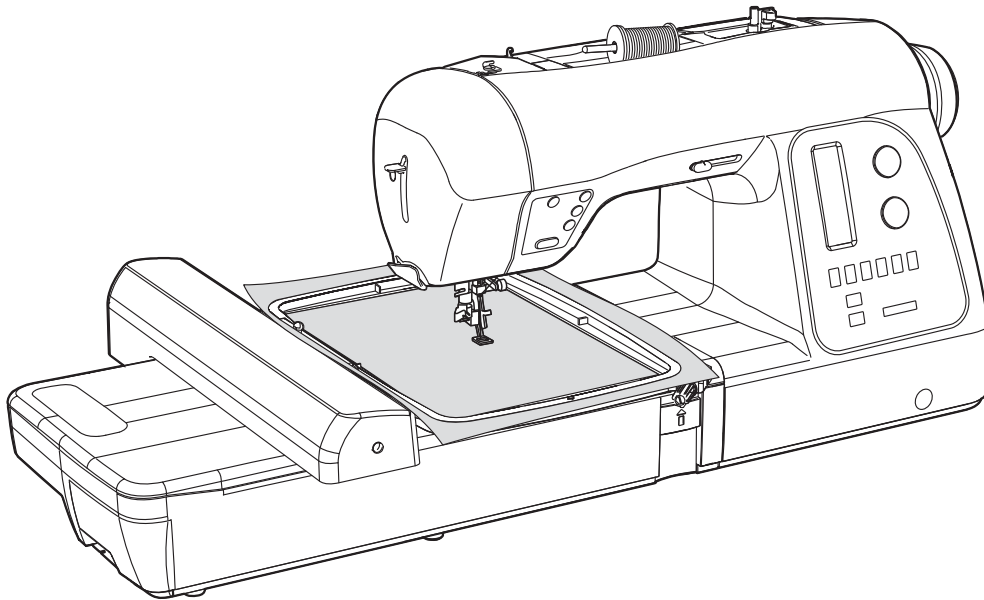




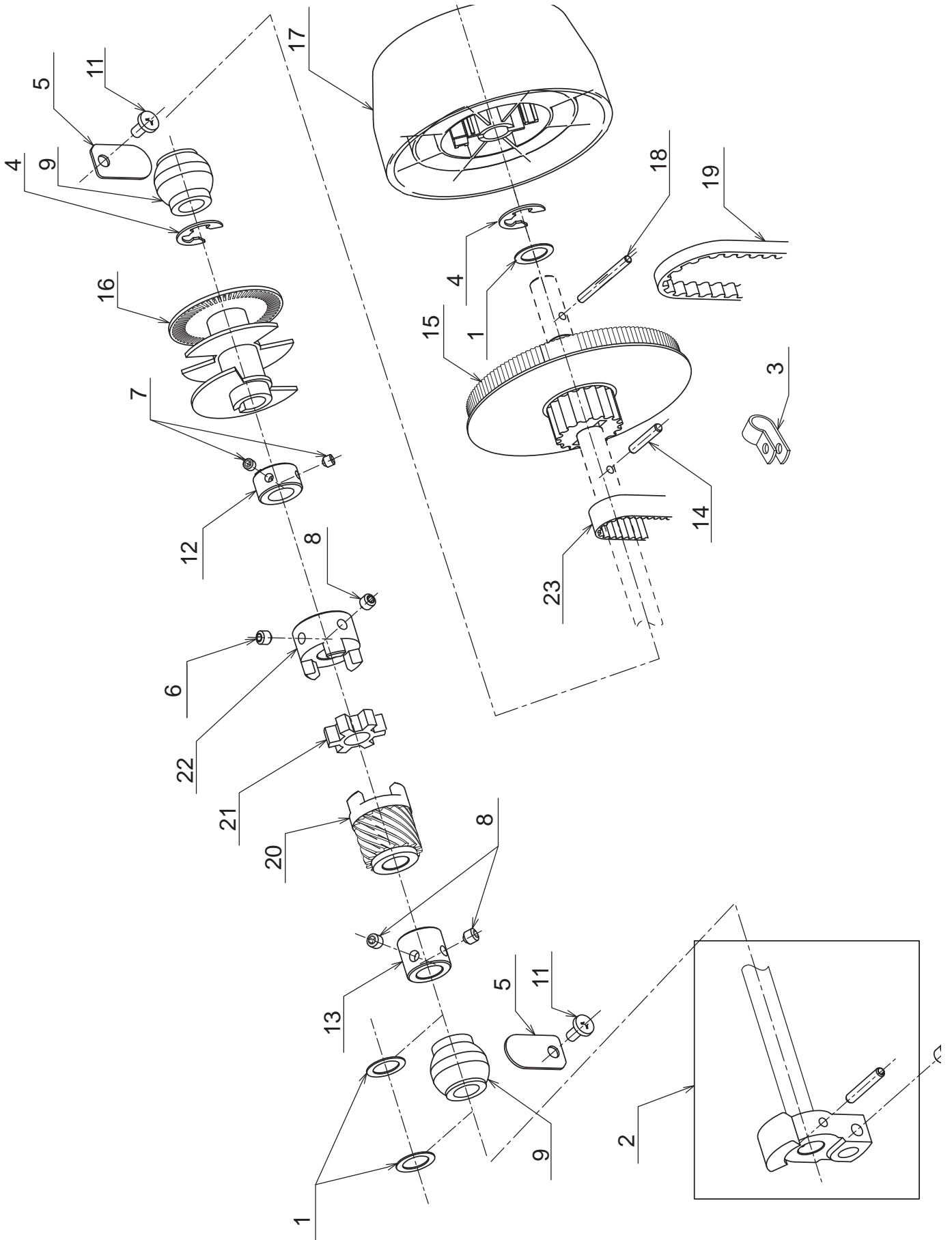
SINGER®

XL-550

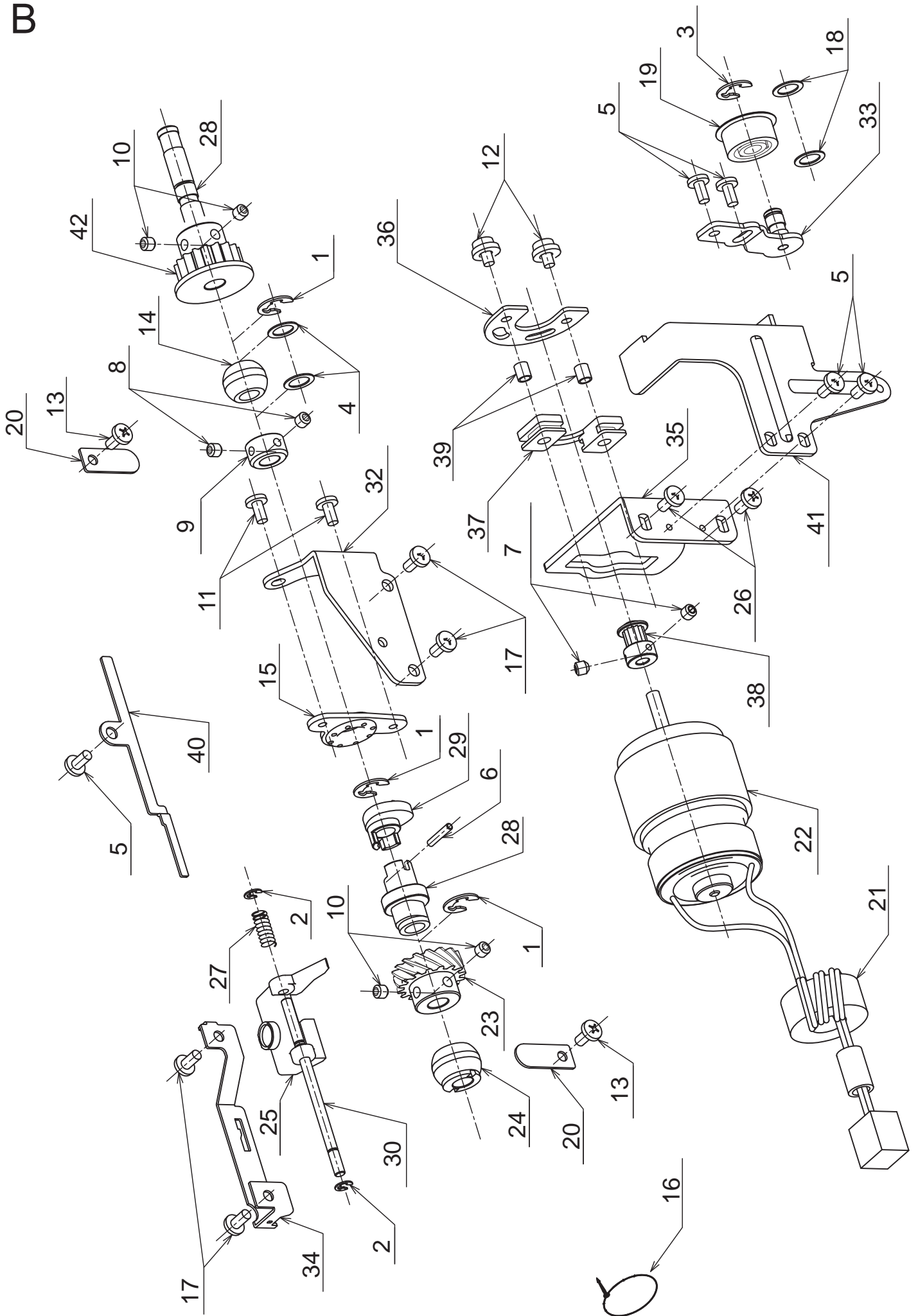


Liste de pièces Lista de Piezas Parts List

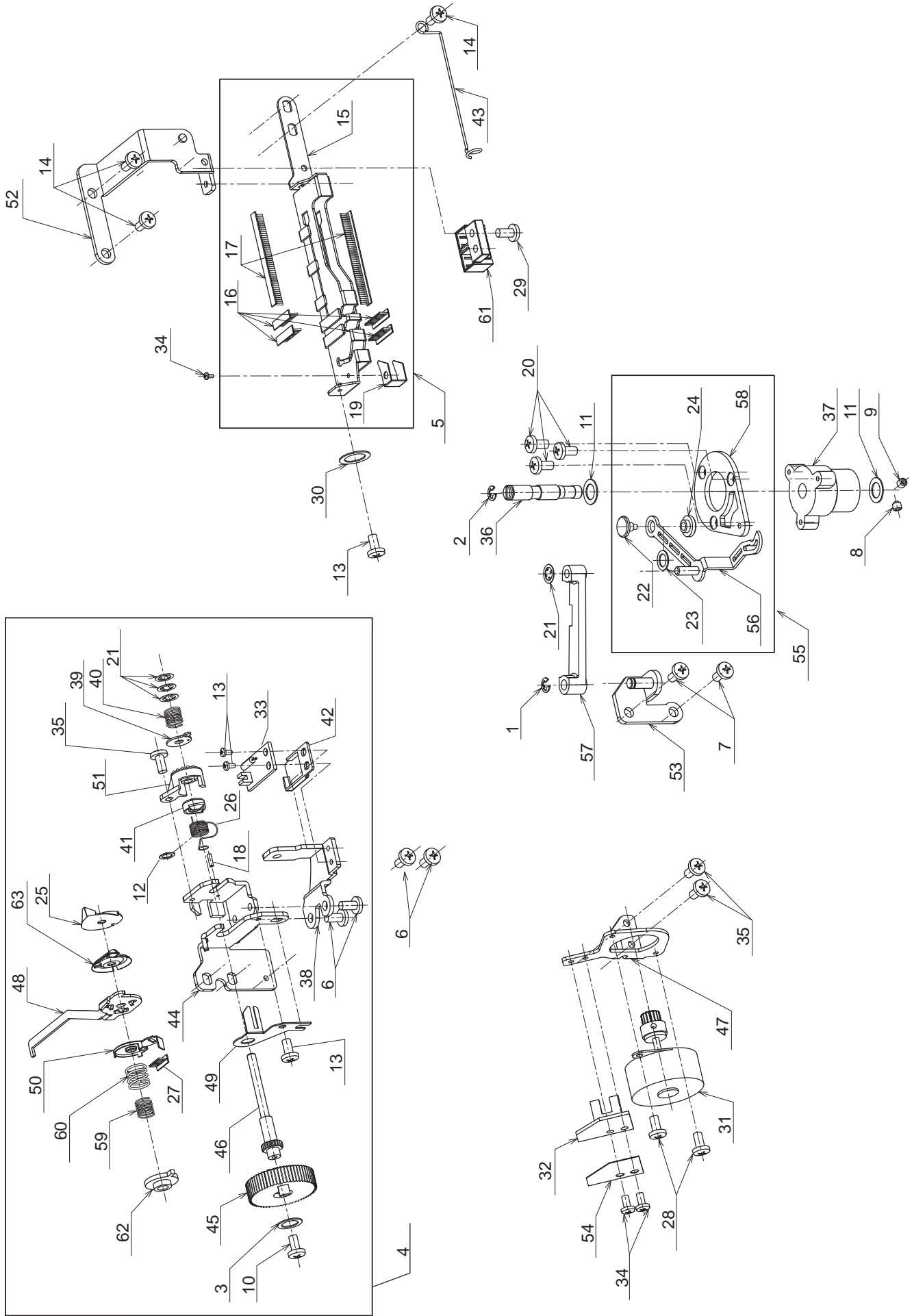
A



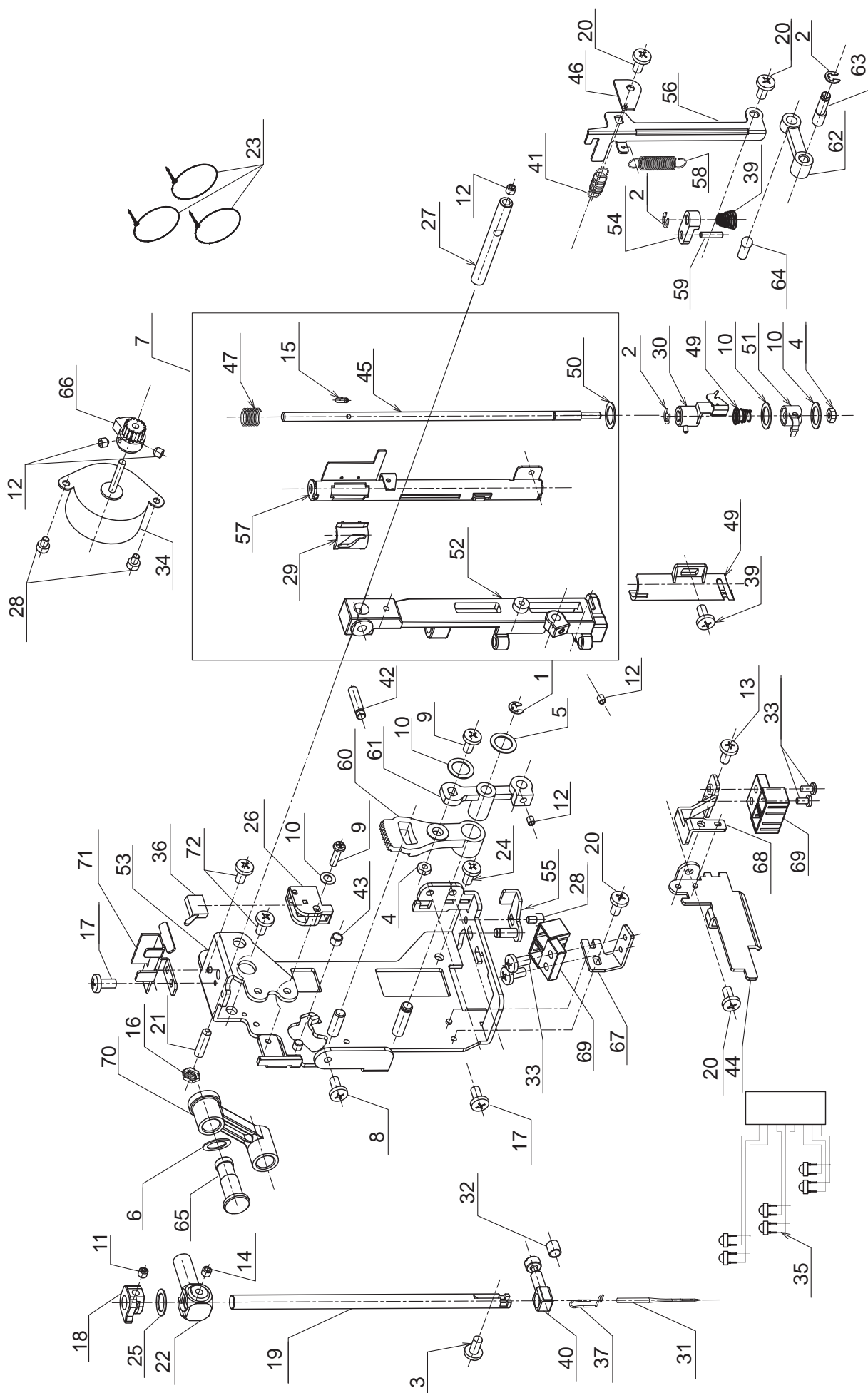
Pos	Part No	Description
1	270 043389	THRUST WASHER
2	416593301	MAIN SHAFT WITH BALANCER
3	270 058741	CORD GUARD
4	N/S	E9 CLIP-ON-WASHER
5	270 066235	SECURING PLATE
6	270 066474	M5 SCREW
7	270 066725	M4 SCREW
8	270 067447	M5 SCREW
9	270 068152	BALL BUSH
10	270 073371	M6 SCREW
11	270 073434	M4 PHILIPS SCREW
12	N/S	POSITIONING COLLAR
13	N/S	COLLAR
14	416433401	SPRING PIN
15	416433301	DOUBLE T PULLEY
16	416433701	ENCODER
17	416433101	PULLEY
18	416433201	PIN
19	416433501	DRIVING BELT
20	N/S	MAIN SHAFT SCREW GEAR
21	N/S	RUBBER CUSHION
22	N/S	MAIN SHAFT SCREW GEAR FIXING RING
23	416433601	TIMING BELT



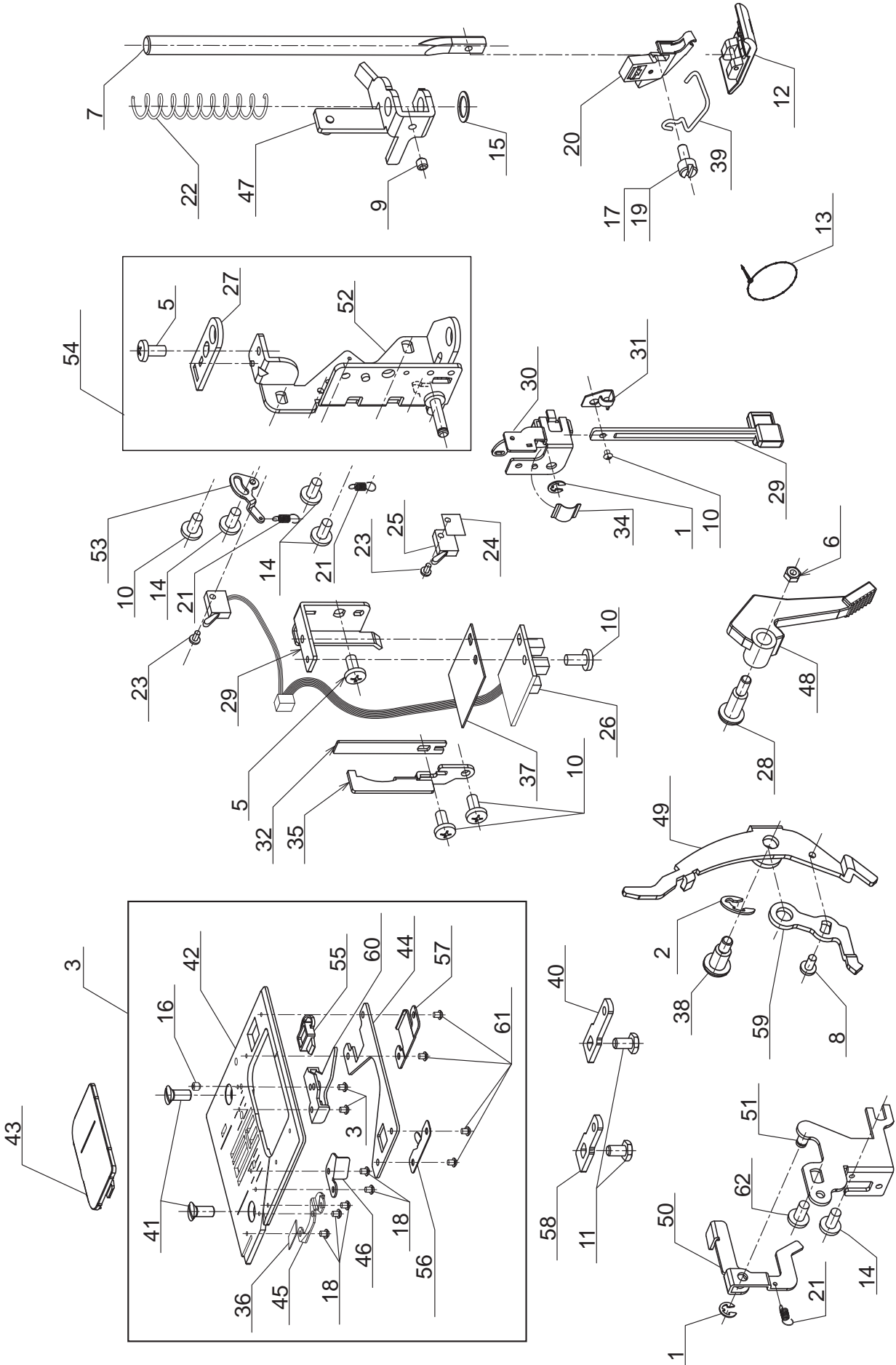
Pos	Part No	Description
1	270 001504	E7 CLIP-ON-WASHER
2	270 001520	E3 CLIP-ON-WASHER
3	270 010963	E6 CLIP-ON-WASHER
4	270 043390	THRUST WASHER
5	270 061222	M4 PHILIPS SCREW
6	270 064179	SPRING PIN
7	270 064653	M3 SCREW
8	270 066725	M4 SCREW
9	270 067444	COLLAR
10	270 067447	M5 SCREW
11	270 072367	M4 CP SCREW
12	N/S	CP BOLT
13	270 073434	M4 PHILIPS SCREW
14	270 076141	BALL METAL
15	270 076488	LOWER SHAFT GUIDE
16	270 077041	M4 PHILLIPS SCREW
17	270 077042	M4 PHILLIPS SCREW
18	270 077056	WASHER
19	270 085138	TENSION ROLLER
20	N/S	SECURING PLATE
21	270 085318	FERRITE RING
22	416486301	MAIN MOTOR ASSY.
23	416434001	BEVEL GEAR
24	270 087170	BALL METAL
25	270 087226	VERTICAL FEED BLOCK
26	270 087261	CP BOLT
27	270 087433	TORSION SPRING
28	270 088115	LIFTING CAM
29	416434101	LOWER SHAFT
30	416434201	FEED CAM
31	N/S	VERTICAL SHAFT
32	N/S	SHAFT SUPPORT
33	416434301	TENSION ROLLER SUPPORT
34	N/S	DROP LEVER GUIDE
35	N/S	MAIN MOTOR SUPPORT
36	N/S	M BRACKET
37	416434401	M CUSHION
38	416434501	MOTOR PULLEY
39	416434601	PIPE BUSH
40	N/S	CORD GUIDE
41	N/S	SECURING PLATE
42	416434701	LOWER SHAFT BELT PULLEY



Pos	Part No	Description			
1	270 001513	E4 CLIP-ON-WASHER	54	N/S	INSULATION SHEET
2	270 008400	E5 CLIP-ON-WASHER	55	416435201	TAKE-UP LEVER UNIT
3	270 031246	WASHER	56	416435201	TAKE-UP LEVER
4	416434801	TENSION SET	57	416435901	TAKE-UP LEVER ARM
5	416434901	THREAD GUIDE SET	58	416435201	TAKE-UP LEVER CRANK
6	270 061222	M4 PHILIPS SCREW	59	416434801	COMPRESSION SPRING (SMALL)
7	270 061224	M4 PHILIPS SCREW	60	416434801	COMPRESSION SPRING (LARGE)
8	270 062307	M4 SCREW	61	416436001	LED LIGHT CASE
9	270 066052	M4 SCREW	62	416434801	TENSION ADJUSTING PLATE
10	415404701	M3 PHILIPS SCREW	63	416486401	TENSION DISC (L)
11	416435001	THRUST WASHER			
12	270 073363	THRUST WASHER			
13	270 076317	M3 PHILIPS SCREW			
14	270 077042	M4 PHILLIPS SCREW			
15	416434901	THREAD GUIDE			
16	416434901	BRUSH			
17	416434901	BRUSH			
18	416434801	PIN			
19	416434901	THREAD GUIDE PLATE			
20	416435101	TAPPING SCREW			
21	270 077507	CLIP-ON-WASHER			
22	416435201	TAKE UP LEVER PIN			
23	416435201	WASHER			
24	416435201	BUSH			
25	416434801	TENSION DISC (R)			
26	416434801	SPRING			
27	N/S	BRUSH			
28	270 080110	BOLT			
29	270 085263	M3 SCREW			
30	270 085273	WASHER			
31	416435401	MOTOR			
32	416435501	HARNESS			
33	416435301	NEDDLE THEARD SENSOR HARNESS			
34	270 086376	M3 SCREW			
35	270 087256	M3 PHILIPS SCREW			
36	416435601	STUD SCREW			
37	416435701	GEAR			
38	416434801	BRACKET			
39	416434801	ADJUST PLATE			
40	416434801	COMPRESSION SPRING			
41	416434801	CHECK SPRING			
42	416434801	INSULATION BOX			
43	416435801	GUIDE			
44	416434801	TENSION SUPPORT			
45	416434801	TENSION GEAR			
46	416434801	TENSION SHAFT			
47	N/S	TENSION MOTOR BRACKET			
48	416434801	TENSION RELEASE PLATE			
49	416434801	TENSION SHAFT PLATE			
50	416434801	SPRING SUPPORT			
51	416434801	CHECK SPRING			
52	N/S	THREAD GUIDE PLATE SUPPORT			
53	N/S	TAKE-UP LEVER SUPPORT			

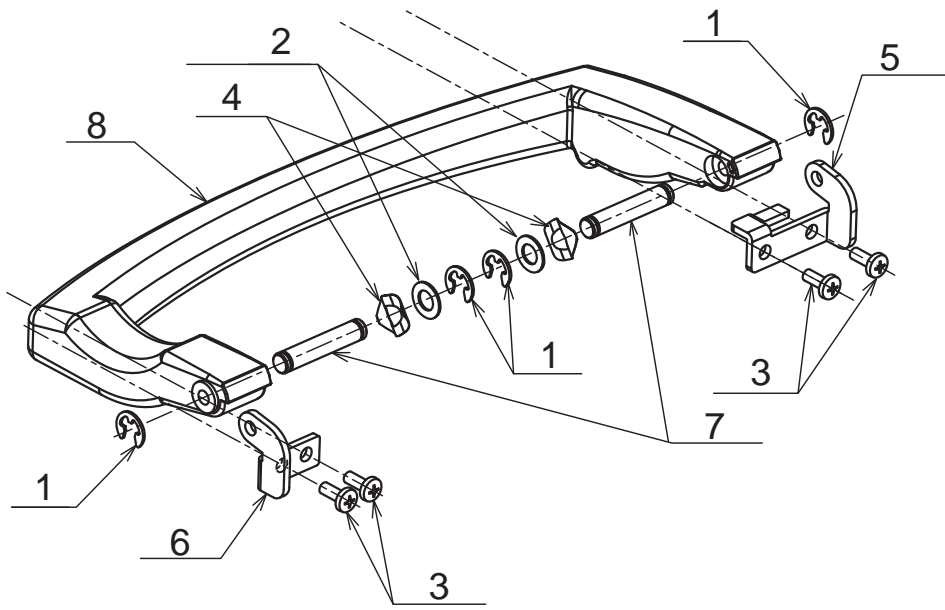


Pos	Part No	Description			
1	270 001513	E4 CLIP-ON-WASHER	55	416438701	SUPPORT BRACKET
2	270 001520	E3 CLIP-ON-WASHER	56	N/S	THEARDER GUIDE PLATE
3	270 026934	#8 SCREW	57	416437801	THREADER GUIDE A
4	270 031733	M3 NUT	58	416438801	THREADER SPRING
5	270 032949	WASHER	59	416439101	PIN
6	270 043390	THRUST WASHER	60	416438901	ZZ GEAR
7	416437801	NEEDLE BAR SUPPORT SET	61	416439001	ZZ GEAR LEVER
8	270 061222	M4 PHILIPS SCREW	62	416439201	ZZ LINK
9	270 063796	M3 SCREW	63	416439301	ECCENTRIC PIN
10	270 063805	WASHER	64	416439401	ROUND SHAFT
11	270 064359	M4 SCREW	65	416439601	HEADED PIN
12	270 064653	M3 SCREW	66	416439501	PINION
13	415404701	M3 PHILIPS SCREW	67	N/S	LED SUPPORT (LEFT)
14	270 066725	M4 SCREW	68	N/S	LED SUPPORT (RIGHT)
15	270 068343	PIN	69	416436001	LED LIGHT CASE
16	270 073299	M4 TORQUE NUT	70	416439701	NEEDLE BAR CRANK
17	270 073900	M3 PHILIPS SCREW	71	N/S	THREAD GUIDE
18	270 075024	STOPPER	72	416439801	SCREW
19	270 076183	NEEDLE BAR			
20	270 076317	M3 PHILIPS SCREW			
21	270 076324	M4 SCREW			
22	270 077037	NEEDLE BAR CLAMP			
23	270 077041	M4 PHILLIPS SCREW			
24	270 077042	M4 PHILLIPS SCREW			
25	270 077043	FELT			
26	270 077527	SENSOR COVER			
27	270 080095	STRAIGHT PIN			
28	270 080110	BOLT			
29	270 080296	THREAD GUIDE C			
30	270 080297	TWIN THREADING HOOK SET			
31		NEEDLE			
32	416437901	TUBE			
33	270 085263	M3 SCREW			
34	416438001	STEPPING MOTOR			
35	416438101	LED LAMP HARNESS			
36	416438201	STEPPING MOTOR HARNESS (ZIG ZAG)			
37	270 086046	THREAD GUIDE			
38	270 086376	M3 SCREW			
39	270 086999	SPRING			
40	270 087154	NEEDLE CLAMP SET			
41	270 087188	SPRING			
42	270 087207	STRAIGHT PIN			
43	270 087273	PIN			
44	270 088317	THREAD GUIDE PLATE			
45	416437801	THREADER SHAFT			
46	N/S	SECURING PLATE			
47	416438301	COMPRESSION SPRING			
48	416438401	THREAD GUIDE B			
49	270 088432	SPRING			
50	270 088433	WASHER			
51	416438501	THREAD GUIDE ASSY			
52	416437801	NEEDLE BAR SUPPORT			
53	N/S	SUPPORT BRACKET			
54	416438601	SUPPORT BRACKET			



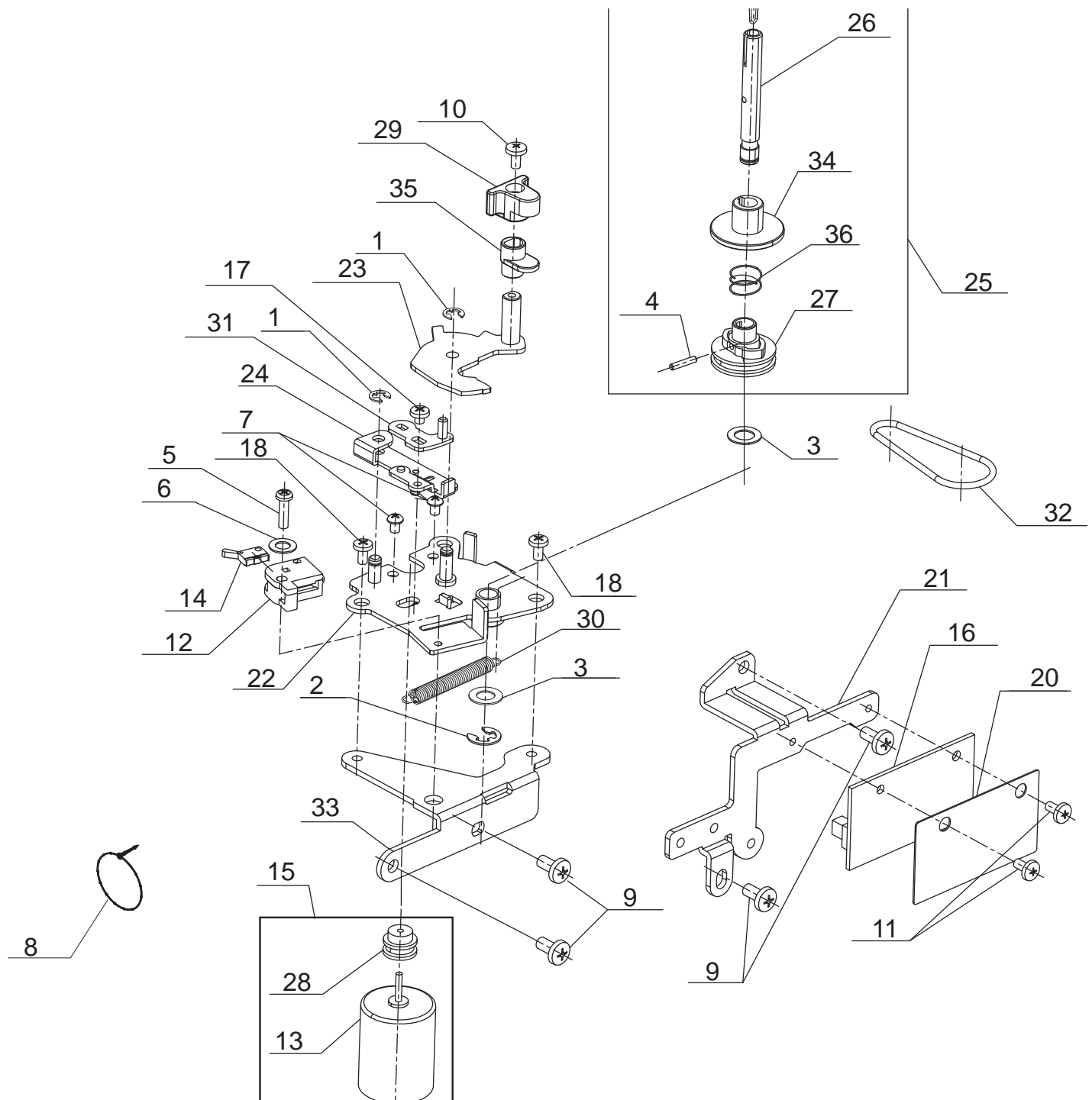
Pos	Part No	Description			
1	270 001520	E3 CLIP-ON-WASHER	54	N/S	PRESSER BAR GUIDE SET
2	270 008400	E5 CLIP-ON-WASHER	55	416440001	RELEASE KNOB
3	416440001	NEEDLE PLATE SET	56	416440001	RELEASE SPRING PLATE
4	270 056858	M2 PHILIPS SCREW	57	416440001	BRACKET
5	270 061221	M4 PHILIPS SCREW	58	416440601	NEEDLE PLATE BRACKET
6	270 062215	M4 NUT	59	N/S	PRESSER SWITCH DOG
7	270 063278	PRESSER BAR	60	416440001	THREAD CONTROL PLATE
8	415404701	M3 PHILIPS SCREW	61	416440001	M2 PHILIPS SCREW
9	270 066727	M4 SCREW	62	416439801	SCREW
10	270 073900	M3 PHILIPS SCREW			
11	N/S	M4 BOLT			
12	270 076251	PRESSER FOOT			
13	270 077041	UNITY FASTENER			
14	270 077042	M4 PHILLIPS SCREW			
15	270 077043	FELT			
16	270 079491	SCREW			
17	270 080065	#7 SCREW FOR SHANK			
18	270 080096	M2 PHILIPS SCREW			
19		SCREW FOR SHANK (ITALY ONLY)			
20		PRESSER FOOT HOLDER			
21	270 085064	EXTENSION SPRING			
22	270 085065	COMPRESSION SPRING			
23	N/S	M2 SCREW			
24	270 085332	SPACER			
25	416439901	PRESSER FOOT POSITIONNING HARNESS			
26	416440101	BUTTON HOLE STITCH SENSOR HARNESS			
27	270 087115	PRESSURE SUPPORT PLATE			
28	270 087212	M4 SCREW			
29	270 087677	BH PLATE (A)			
30	270 087679	BH PLATE (B)			
31	270 087680	BH PLATE (C)			
32	270 087692	BH CANTILEVER			
33	270 087693	BH PALTE			
34	270 087694	LEAF SPRING			
35	270 087695	BH CANTILEVER SUPPORT			
36	270 087766	BLADE			
37	270 088112	INSULATION SHEET			
38	416440401	STUD SCREW			
39		FINGER GUARD (ITALY ONLY)			
40	416440501	NEEDLE PLATE BRACKET			
41	416440701	M4 SCREW			
42	416440001	NEEDLE PLATE			
43	416440801	BOBBIN COVER PLATE			
44	416440001	NEEDLE PLATE GUIDE			
45	416440001	THREAD CUTTER SECURING PLATE			
46	416440001	THREAD CONTROL PLATE			
47	N/S	PRESSER BAR GUIDE			
48	416440901	PRESSER FOOT LIFTER			
49	N/S	TENSION RELEASE LEVER			
50	N/S	THREAD REGULATOR RELEASE LEVER			
51	N/S	THREAD REGULATOR RELEASE LEVER BASE			
52	416440201	PRESSER BAR GUIDE			
53	416440301	SWITCH DOG ADJUSTMENT PLATE			

F

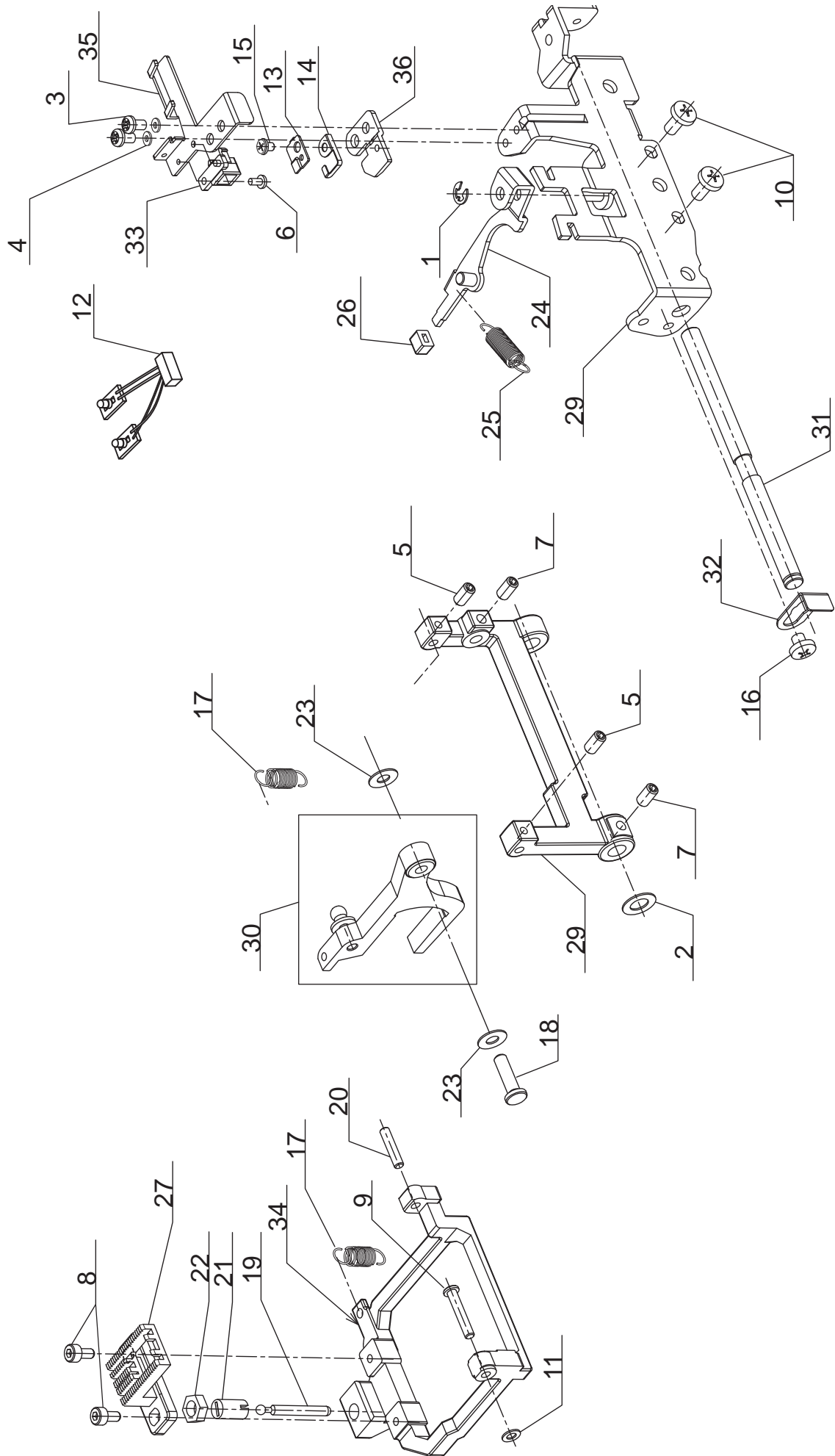


<u>Pos</u>	<u>Part No</u>	<u>Description</u>
1	270 001513	E4 CLIP-ON-WASHER
2	270 032949	WASHER
3	270 061224	M4 PHILIPS SCREW
4	270 061381	CRINKLE WASHER
5	416441101	HANDLE BRACKET
6	416441201	HANDLE BRACKET
7	416441301	PIN
8	416441401	HANDLE

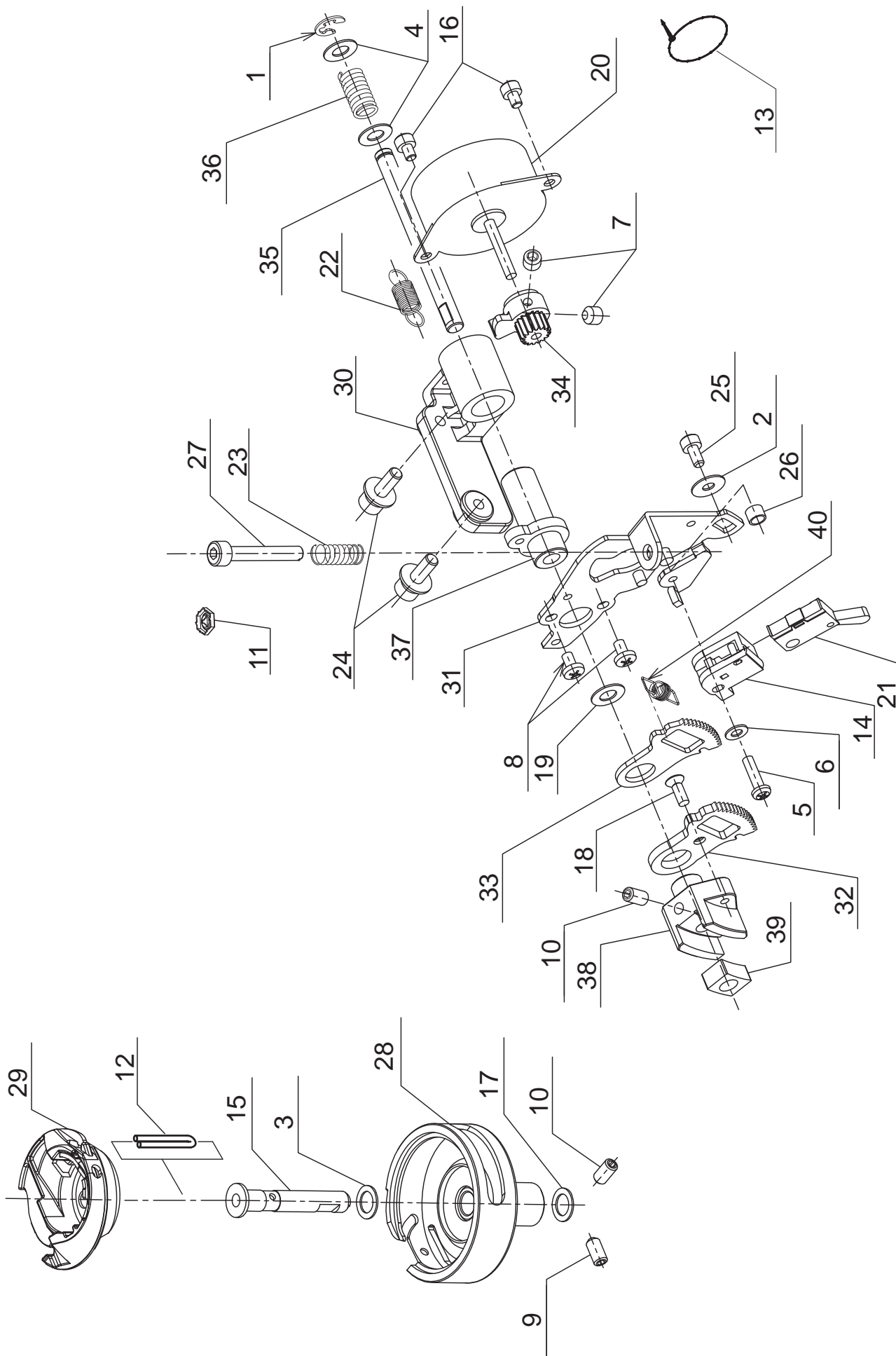
G



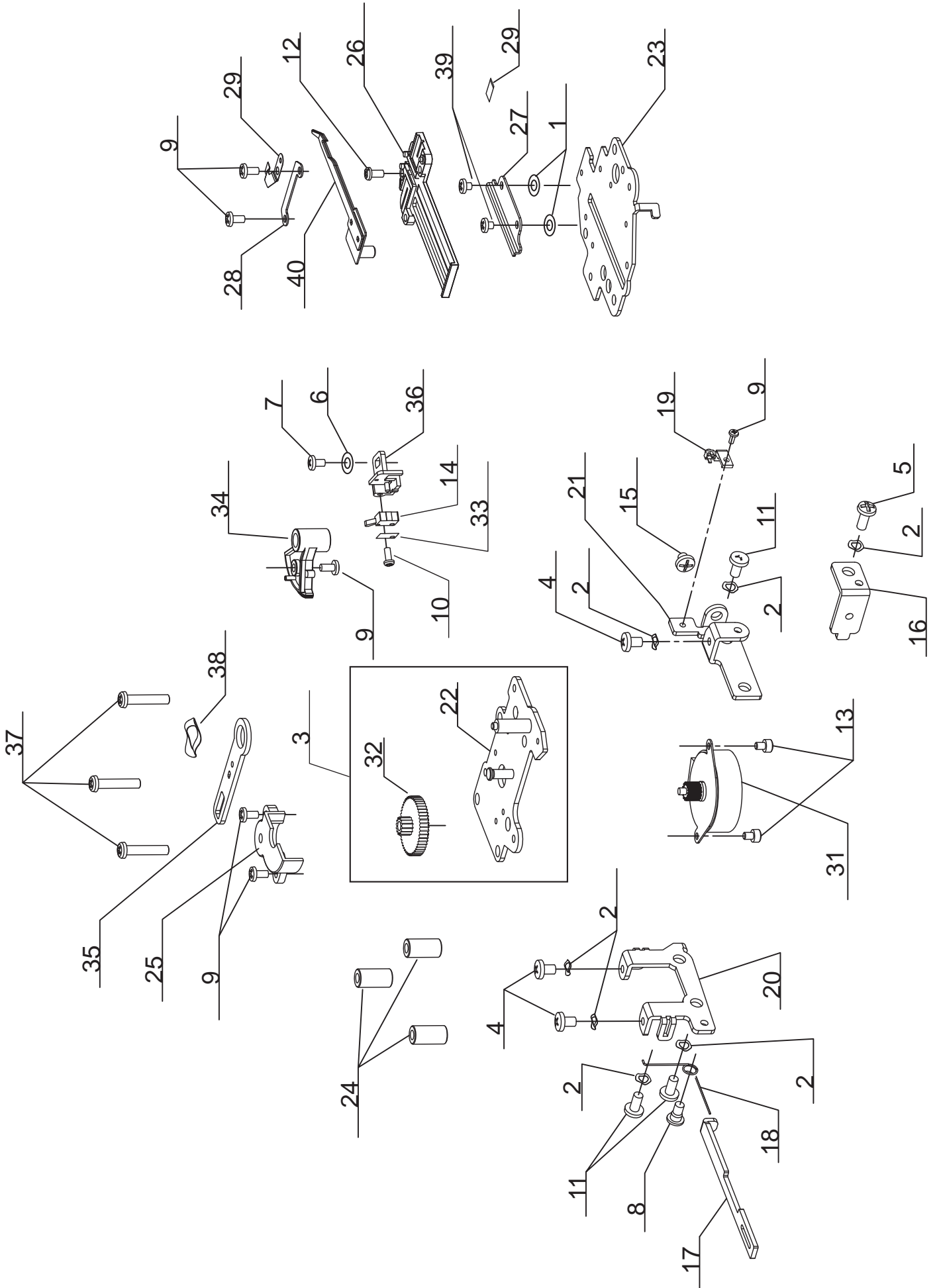
Pos	Part No	Description
1	270 001520	E3 CLIP-ON-WASHER
2	270 008400	E5 CLIP-ON-WASHER
3	270 032316	WASHER
4	270 060162	KNOCK PIN
5	270 063796	M3 SCREW
6	270 063805	WASHER
7	270 073900	M3 PHILIPS SCREW
8	270 077041	UNITY FASTENER
9	270 077042	M4 PHILLIPS SCREW
10	270 077044	M3 PHILIPS SCREW
11	270 077053	M3 PHILIPS SCREW
12	270 077527	SENSOR COVER
13	416441501	MOTOR FOR BOBBIN WINDER
14	416441601	BOBBIN WINDER SWITCH HARNESS
15	N/S	MOTOR FOR BOBBIN WINDER UNIT
16	416441701	CAM SENSOR HARNESS
17	270 086376	M3 SCREW
18	270 087000	M4 SCREW
19	416441801	SPRING
20	270 087242	INSULATION SHEET
21	N/S	CAM SENSOR FIXING PLATE
22	N/S	BOBBIN WINDER
23	N/S	BOBBIN WINDER ARM
24	N/S	BOBBIN WINDER SWITCH
25	N/S	BOBBIN WINDER SHAFT UNIT
26	416441901	BOBBIN WINDER SHAFT
27	416442001	BOBBIN WINDER PULLEY
28	416442101	BOBBIN WINDER MOTOR PULLEY
29	416442201	BOBBIN WINDER CAM
30	416442301	BOBBIN WINDER EXTENSION SPRING
31	N/S	BOBBIN WINDER FOLLOWER
32	416442401	ROUND BELT
33	N/S	BOBBIN WINDING UNIT SUPPORT
34	416442501	BOBBIN WINDING SWITCH LIMITER A
35	416442601	BOBBIN WINDING SWITCH LIMITER B
36	416442701	COMPRESSION SPRING



<u>Pos</u>	<u>Part No</u>	<u>Description</u>
1	270 001520	E3 CLIP-ON-WASHER
2	270 032316	WASHER
3	416442801	M3 SCREW
4	270 063805	WASHER
5	270 064653	M3 SCREW
6	270 066005	M2 PHILIPS SCREW
7	270 066725	M4 SCREW
8	270 072274	M3 CP SCREW
9	270 076132	SHAFT
10	270 077042	M4 PHILLIPS SCREW
11	N/S	WASHER
12	416442901	SENSOR HARNESS
13	416443101	NEEDLE BAR THREAD GUIDE
14	416443201	RETAINER PLATE
15	416443301	RETAINER SET
16	270 087000	M4 SCREW
17	270 087186	TORSION SPRING
18	270 087206	PIN
19	270 087208	BALL HEADED □ PIN
20	270 087210	PIN
21	270 087232	M6 STUD SCREW
22	270 087268	M6 NUT
23	270 087269	WASHER
24	270 087423	DROP LEVER
25	270 087424	TORSION SPRING
26	270 087425	DROP KNOB
27	416443401	FEED FOG
28	N/S	FEED SECURING PLATE
29	416443501	FEED DOG BASE SUPPORT
30	416443601	FEED REGULATOR ARM UNIT
31	N/S	FEED REGULATOR SHAFT
32	416443701	SECURING PLATE
33	416443801	FLOOD LIGHT HOLDER
34	416443901	FEED DOG BASE
35	416444001	SENSOR ATTACHMENT PLATE
36	416444101	RETAINER

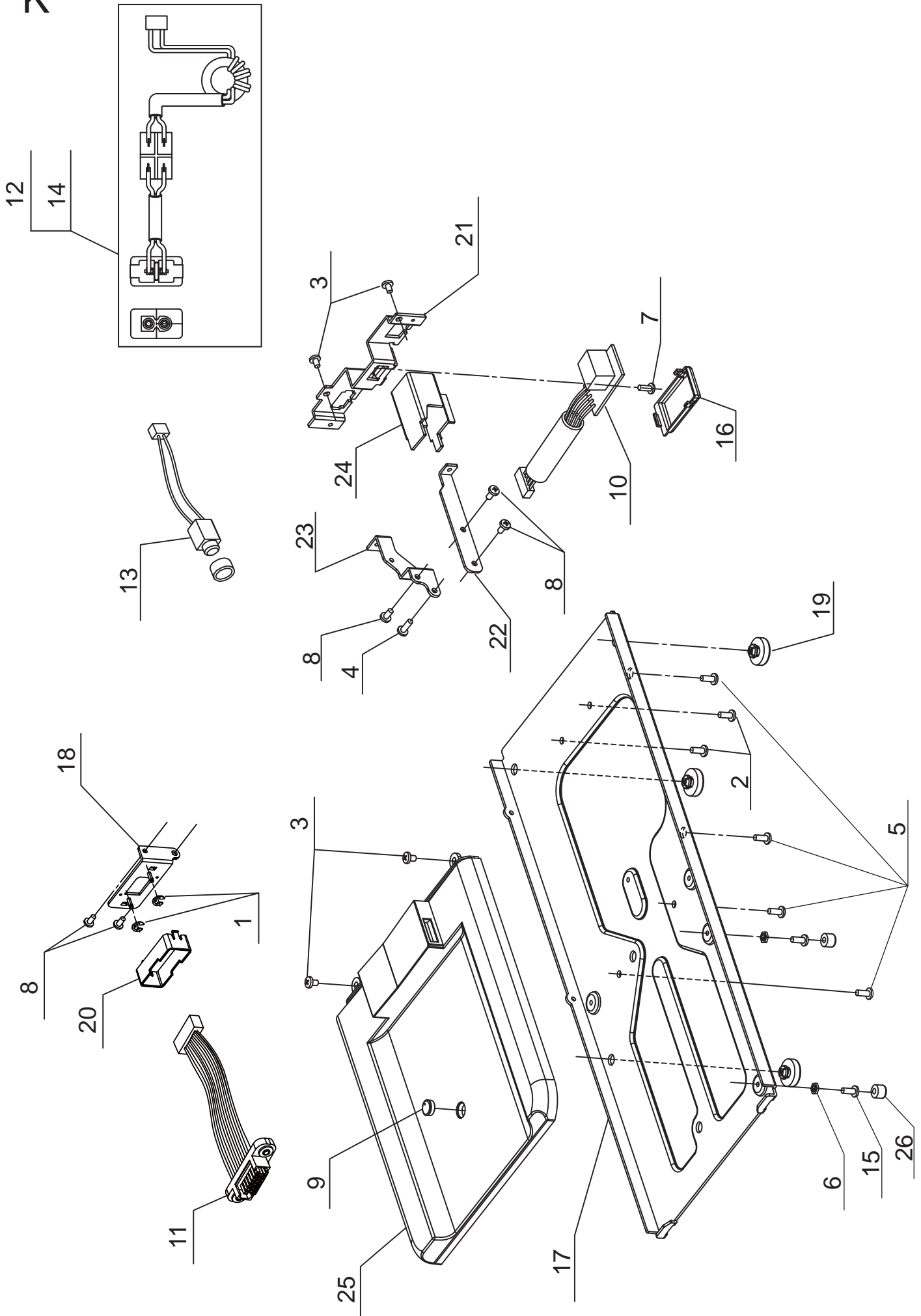


<u>Pos</u>	<u>Part No</u>	<u>Description</u>
1	270 001513	E4 CLIP-ON-WASHER
2	270 031246	WASHER
3	270 043392	THRUST WASHER
4	270 059221	WASHER
5	270 063796	M3 SCREW
6	270 063805	WASHER
7	270 064653	M3 SCREW
8	415404701	M3 PHILIPS SCREW
9	270 066725	M4 SCREW
10	270 066727	M4 SCREW
11	270 073299	M4 TORQUE NUT
12	270 076203	OILING CORD
13	270 077041	UNITY FASTENER
14	270 077527	SENSOR COVER
15	270 080078	SHUTTLE RACE SHAFT
16	270 080110	BOLT
17	N/S	WASHER
18	270 085072	M3 SCREW
19	N/S	WASHER
20	416438001	STEPPING MOTOR
21	416444201	STEPPING MOTOR HARNESS (FEEDING)
22	270 087188	SPRING
23	270 087189	COMPRESSION SPRING
24	270 087261	CP BOLT
25	270 087262	M3 CP SCREW
26	270 087273	PIN
27	270 087668	M4 BOLT
28	416444301	SHUTTLE RACE UNIT
29	416444401	BOBBIN CASE UNIT
30	416444801	FEED REGULATOR SUPPORT
31	N/S	PM SUPPORT
32	416444501	FEED REGULATOR BLOCK GEAR A
33	416444601	FEED REGULATOR BLOCK GEAR B
34	416444701	PINION (16T) UNIT
35	416444901	FEED REGULATOR SHAFT
36	416445001	FEED REGULATOR SPRING
37	416445101	FEED REGULATOR BUSH
38	416445201	FEED REGULATOR
39	416445301	SLIDE BLOCK
40	416445401	FEED REGULATOR GEAR SPRING

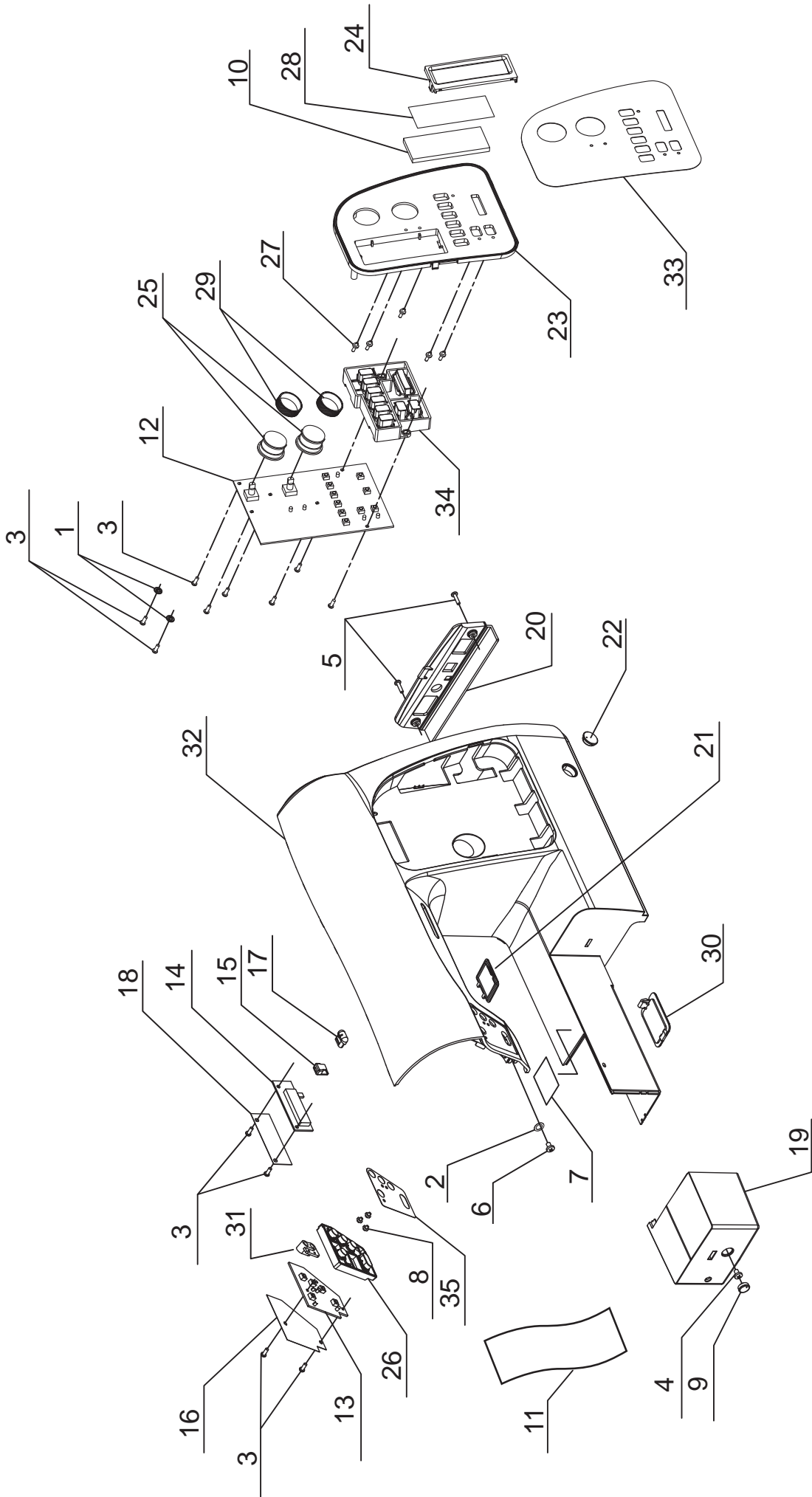


<u>Pos</u>	<u>Part No</u>	<u>Description</u>
1	270 037515	WASHER
2	270 037515	CRINKLE WASHER
3	416445501	THREAD CUTTER BASE SET
4	416445601	M4 PHILIPS SCREW
5	270 061222	M4 PHILIPS SCREW
6	270 063560	WASHER
7	415404701	M3 PHILIPS SCREW
8	270 066481	M4 STUD SCREW
9	270 076317	M3 PHILIPS SCREW
10	416445701	TAPPING SCREW
11	270 077042	M4 PHILLIPS SCREW
12	270 077044	M3 PHILIPS SCREW
13	270 080110	BOLT
14	416445801	SENSOR HARNESS
15	270 087000	M4 SCREW
16	N/S	MOUNTING PLATE
17	416445901	DROP CONNECTING PLATE
18	416446001	TORSION SPRING
19	N/S	SENSOR RECEIVER HOLDER
20	416446101	BLADE FIXTURE
21	416446201	THREAD CUTTER BASE B
22	416445601	THREAD CUTTER BASE C
23	416446301	THREAD CUTTER BASE D
24	416446401	PIPE BASE
25	416446501	GEAR COVER
26	416446601	THREAD CUTTER GUIDE PLATE
27	416446701	GUIDE PLATE
28	416446801	HOOK SECURING PLATE
29	416446901	THREAD CUTTER SPRING PLATE
30	416447001	BLADE
31	416447101	THREAD CUTTER STEPPING MOTOR
32	416445601	THREAD CUTTER GEAR
33	416447201	INSULATION SHEET
34	416447301	THREAD CUTTER LEVER GEAR
35	416447401	THREAD CUTTER DRIVING LEVER
36	416447501	BOBBIN THREAD CUTTER SWITCH BASE
37	416447601	M4 SCREW
38	416447701	CRINKLE WASHER
39	416447801	M3 SCREW
40	416447901	THREAD CUTTER HOOK UNIT

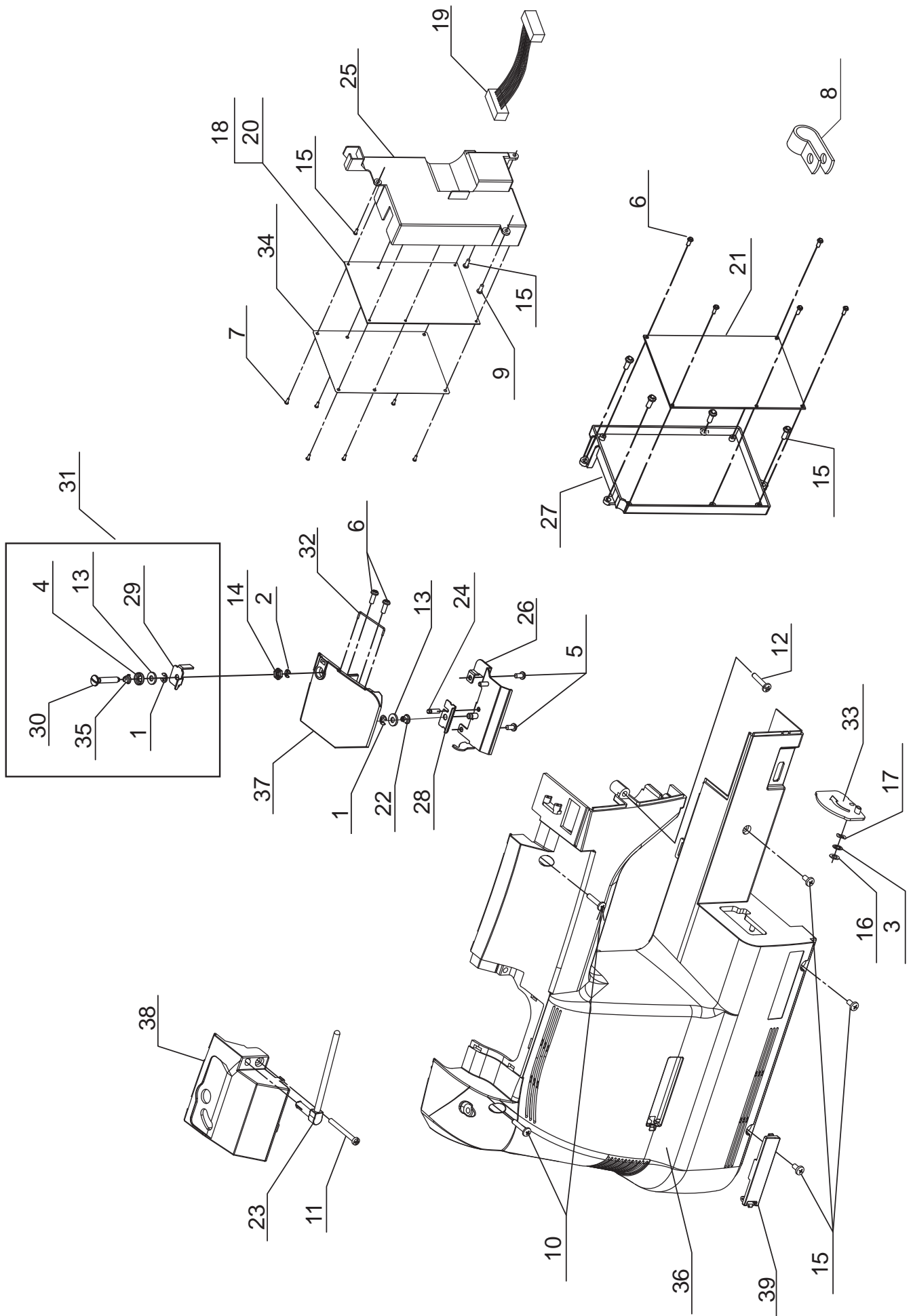
K



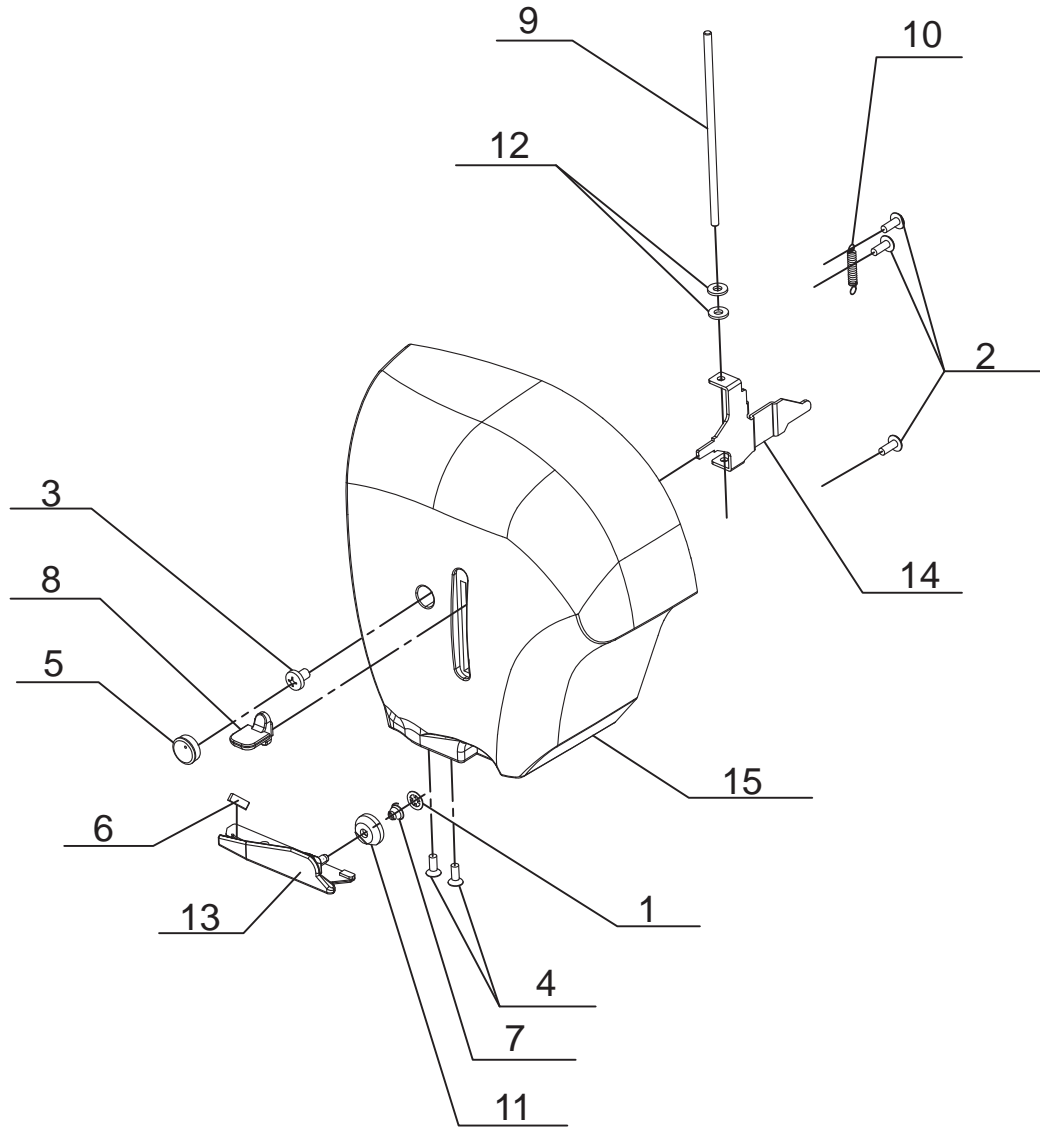
<u>Pos</u>	<u>Part No</u>	<u>Description</u>
1	270 025436	E2 CLIP-ON-WASHER
2	416448001	M3.5 TAPPING SCREW
3	270 061222	M4 PHILIPS SCREW
4	270 061225	M4 PHILIPS SCREW
5	270 063560	M4 PHILIPS SCREW
6	270 073299	M4 TORQUE NUT
7	270 073900	M3 PHILIPS SCREW
8	270 077042	M4 PHILLIPS SCREW
9	270 083116	CAP
10	270 084030	USB HARNESS
11	416448101	CONNECTING HARNESS
12	416448201	POWER SWITCH CORD ASSY. (120V)
13	416448301	FC JACK HARNESS
14	416448401	POWER SWITCH CORD ASSY. (230V)
15	270 086038	STUD SCREW
16	270 086934	USB INSULATION COVER
17	416448501	BASE
18	N/S	DRAWER SUPPORT
19	416448601	RUBBER CUSHION
20	416448701	DRAWER CAP
21	N/S	TERMINAL HOLDER
22	N/S	TERMINAL BRACKET (LEFT)
23	N/S	TERMINAL BRACKET (RIGHT)
24	N/S	SWITCH INSULATION COVER
25	416448801	BOTTOM COVER
26	416448901	RUBBER FOOT



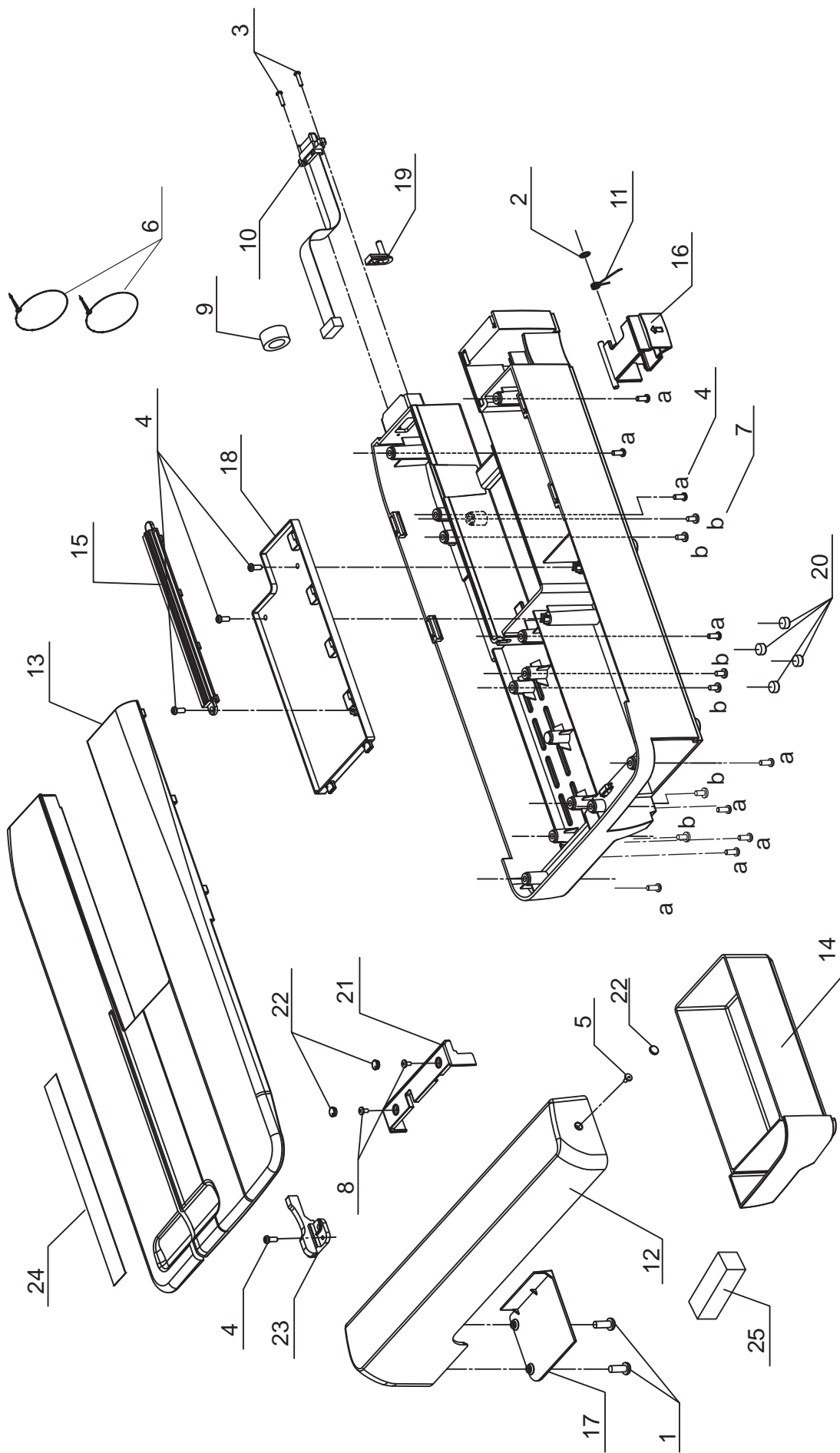
<u>Pos</u>	<u>Part No</u>	<u>Description</u>
1	270 025670	WASHER
2	270 031246	WASHER
3	270 039213	M3 SCREW
4	270 061222	M4 PHILIPS SCREW
5	416449001	M3 PHILIPS SCREW
6	270 076317	M3 PHILIPS SCREW
7	270 076511	SEAL
8	270 083044	LED PANEL
9	270 083116	CAP
10	416449101	LCD
11	416449201	CONNECTOR CABLE
12	416449301	SWITCH CIRCUIT BOARD
13	416449401	SW HARNESS
14	416449501	SPEED CONTROL SWITCH HARNESS
15	416449601	SLIDE LEVER
16	416449701	INSULATION SHEET (SW HARNESS)
17	416449801	SPEED CONTROL KNOB
18	416447801	INSULATION SHEET (SV BOARD HARNESS)
19	416449901	BED CAP
20	416450001	TERMINAL COVER
21	416450101	LED LIGHT COVER
22	416450201	KNEE LIFTER CAP
23	N/S	CONTROL PANEL
24	N/S	LCD CASE
25	416450301	BUTTON
26	N/S	SWITCH PANEL BUTTON
27	416473201	LED LENS
28	N/S	LCD PROTECTION SHEET
29	416473301	RUBBER BAND
30	416457701	STEPPING MOTOR ADJUST COVER
31	416457801	LED SHADE PLATE
32	416486701	FRONT COVER
33	416486801	PANEL SHEET
34	416486901	SWITCH PANEL BUTTON
35	416487001	SWITCH PANEL SHEET



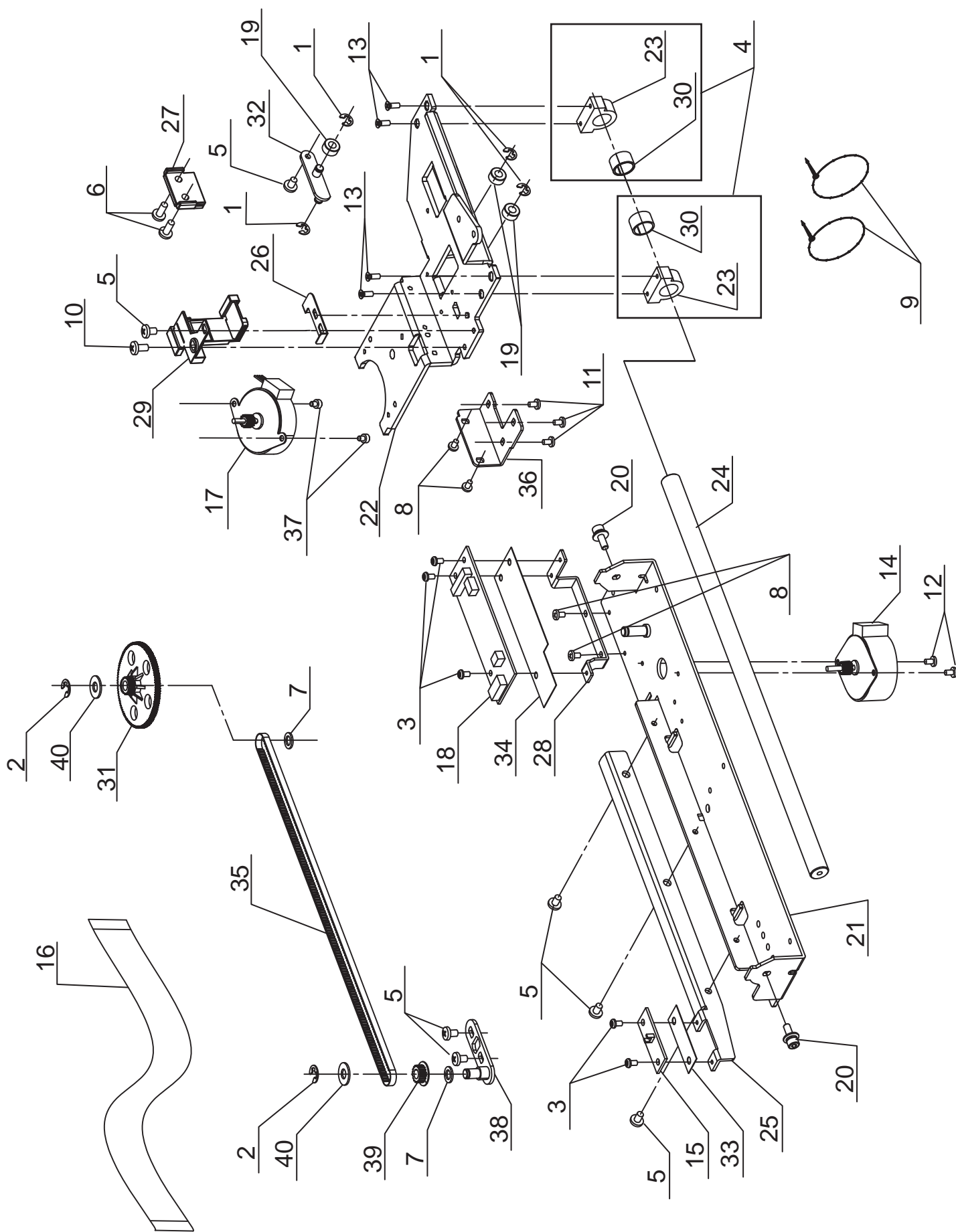
Pos	Part No	Description
1	270 001520	E3 CLIP-ON-WASHER
2	270 027925	E2.5 CLIP-ON-WASHER
3	270 032949	WASHER
4	416450501	HOLDER TENSION DISC
5	270 039163	TAPPING SCREW
6	270 039213	M3 SCREW
7	270 047181	TAPPING SCREW
8	270 058741	CORD GUARD
9	270 061225	M4 PHILIPS SCREW
10	270 064484	TAPPING SCREW
11	270 064957	TAPPING SCREW
12	270 065736	M4 PHILIPS SCREW
13	270 072858	WASHER
14	270 073299	M4 TORQUE NUT
15	270 077042	M4 PHILLIPS SCREW
16	270 077507	CLIP-ON-WASHER
17	416450601	CRINKLE WASHER
18	416450801	AC CIRCUIT BOARD□(100-120V)
19	416451001	CONNECTOR CABLE
20	416450901	AC CIRCUIT BOARD□(200-240V)
21	416487101	CPU CIRCUIT BOARD
22	270 086999	SPRING
23	270 087296	SPOOL PIN UNIT
24	416451101	PIN
25	N/S	AC CIRCUIT BOARD BOX
26	416451201	THREAD GUIDE
27	N/S	CPU CIRCUIT BOARD BOX
28	416451301	THREAD REGULATING PLATE
29	416450501	THREAD GUIDE BASE
30	416450501	THREAD GUIDE ADJUSTABLE SCREW
31	416450501	THREAD GUIDE UNIT
32	416451401	THREAD GUIDE PIN
33	416451501	DRAWER CAP
34	N/S	INSULATION SHEET (AC CIRCUIT)
35	416450501	COMPRESSION SPRING
36	416458701	BACK COVER
37	416487301	THREAD PATH CAP
38	416487401	BOBBIN WINDER COVER
39	416451901	SPOOL STAND ATTACHMENT COVER



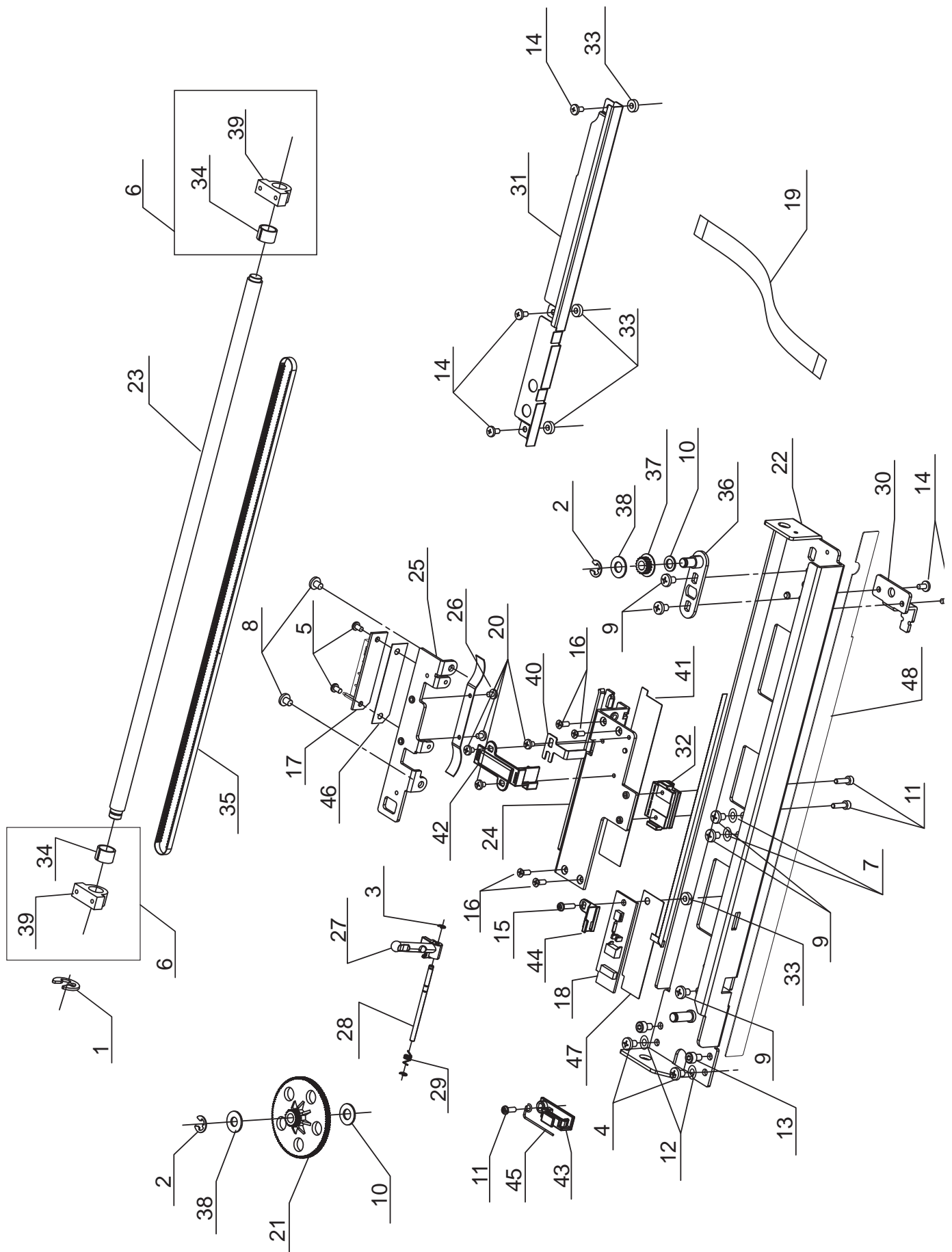
<u>Pos</u>	<u>Part No</u>	<u>Description</u>
1	270 039615	CLIP-ON-WASHER
2	270 065826	TAPPING SCREW
3	270 077042	M4 PHILIPS SCREW
4	416435101	TAPPING SCREW
5	270 083116	CAP
6	270 087766	BLADE
7	416452101	SPRING
8	270 088415	THREADER LEVER
9	416452001	THREADER SHAFT
10	416452201	EXTENSION SPRING
11	416452301	HOLDER TENSION DISC
12	270 088433	WASHER
13	416452401	THREAD HOLDER
14	416452501	THREADER LEVER PLATE
15	416452601	FACE COVER



<u>Pos</u>	<u>Part No</u>	<u>Description</u>
1	270 039213	M3 SCREW
2	270 046293	CS-5 CLIP-ON-WASHER
3	270 047181	TAPPING SCREW
4	N/S	TAPPING SCREW
5	270 076317	M3 PHILIPS SCREW
6	270 077041	UNITY FASTENER
7	270 077042	M4 PHILLIPS SCREW
8	270 077044	M3 PHILIPS SCREW
9	270 085318	FERRITE RING
10	416452701	CONNECTING HARNESS
11	416452801	RELEASE LEVER SPRING
12	N/S	CARRIAGE
13	416453001	TOP COVER
14	416453101	DRAWER
15	416454001	RAIL GUIDE
16	416453201	RELEASE LEVER
17	N/S	CARRIAGE COVER LID
18	N/S	DRAWER COVER
19	416453301	FEED DOG DROP PIN
20	416453401	RUBBER FOOT
21	416453501	CARRIAGE HARNESS COVER
22	416453601	CAP
23	416453701	SLIT COVER
24	416453801	FLAP
25	N/S	SPACER

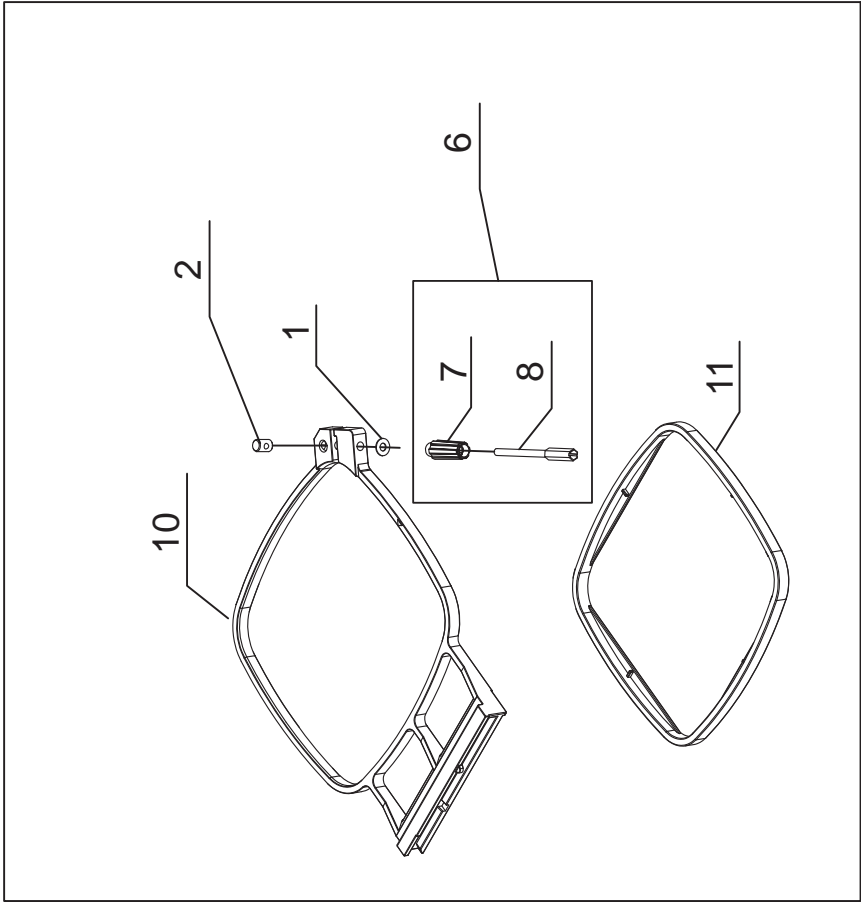


<u>Pos</u>	<u>Part No</u>	<u>Description</u>
1	270 001513	E4 CLIP-ON-WASHER
2	270 008400	E5 CLIP-ON-WASHER
3	416442801	M3 SCREW
4	N/S	X AXIS METAL BUSH
5	270 061222	M4 PHILIPS SCREW
6	270 061224	M4 PHILIPS SCREW
7	416454701	WASHER
8	415404701	M3 PHILIPS SCREW
9	270 077041	UNITY FASTENER
10	270 077042	M4 PHILLIPS SCREW
11	270 077044	M3 PHILIPS SCREW
12	270 080110	BOLT
13	270 085072	M3 SCREW
14	416454801	X AXIS MOTOR
15	416454901	X AXIS SENSOR HARNESS
16	416455001	X AXIS FFC CORD
17	416455101	Y AXIS MOTOR
18	416455201	X AXIS MAIN BOARD
19	270 086349	GUIDE ROLLER
20	270 087261	CP BOLT
21	N/S	X BASE
22	N/S	X MOVING PLATE
23	N/S	X AXIS METAL
24	416455301	X AXIS SHAFT
25	N/S	X AXIS RAIL PLATE
26	N/S	X AXIS DOG ADJUSTING PLATE
27	416455401	X AXIS BELT HOLDER
28	N/S	JOINING HARNESS SUPPORT
29	N/S	F CABLE HOLDER
30	416473701	X AXIS BUSH
31	416455501	DRIVING PULLEY
32	416455601	X AXIS ROLLER SUPPORT
33	N/S	INSULATION SHEET
34	N/S	INSULATION SHEET
35	416455701	X AXIS TIMING BELT
36	N/S	X AXIS MOVING PLATE SUPPORT
37	N/S	CP SCREW
38	416455801	PULLEY BASE
39	416455901	PULLEY
40	416456001	WASHER

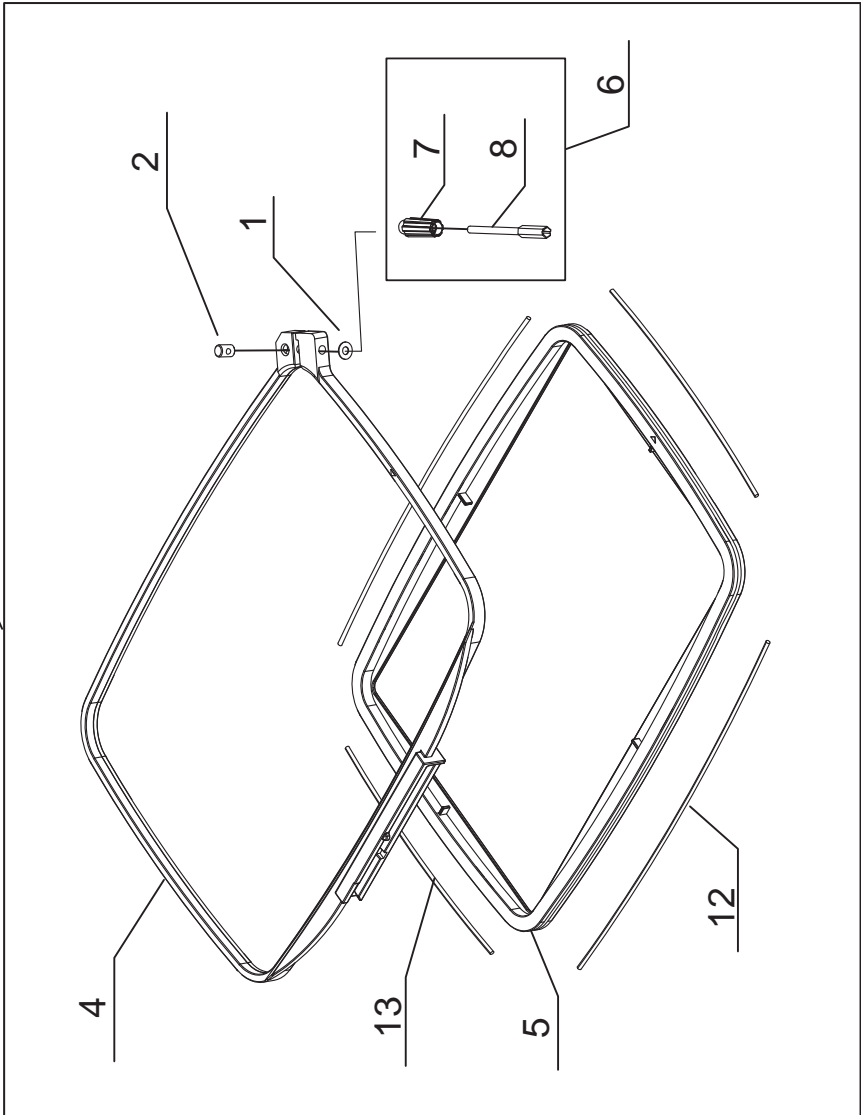


Pos	Part No	Description
1	270 001504	E7 CLIP-ON-WASHER
2	270 008400	E5 CLIP-ON-WASHER
3	270 025436	E2 CLIP-ON-WASHER
4	N/S	M3 NUT
5	416442801	M3 SCREW
6	270 058220	Y AXIS METAL BUSH
7	270 061221	WASHER
8	270 061222	M4 PHILIPS SCREW
9	416454701	M4 PHILIPS SCREW
10	270 063796	WASHER
11	270 063796	M3 SCREW
12	270 063805	WASHER
13	270 072367	M4 CP SCREW
14	270 077053	M3 PHILIPS SCREW
15	270 077057	M3 PHILIPS SCREW
16	270 085072	M3 SCREW
17	416454601	SENSOR HARNESS
18	416456101	Y AXIS SENSOR HARNESS
19	416456201	Y AXIS FFC CORD
20	270 087256	M3 SCREW
21	416455501	DRIVING PULLEY
22	N/S	Y AXIS BASE
23	416456301	Y AXIS SHAFT
24	N/S	Y AXIS MOVING PLATE
25	N/S	SWITCH HARNESS SUPPORT
26	416456401	HOOP HOLDER SPRING PLATE
27	416456501	HOOP FIXING LEVER
28	416456601	HOOP FIXING LEVER SHAFT
29	416456701	HOOP FIXING LEVER SPRING
30	N/S	X AXIS RAIL GUIDE SUPPORT
31	N/S	F CABLE GUIDE PLATE
32	N/S	Y AXIS RAIL GUIDE SUPPORT
33	416456801	SPACER
34	416473801	Y AXIS BUSH
35	416456901	Y AXIS TIMING BELT
36	416455801	PULLEY BASE
37	416455901	PULLEY
38	416456001	WASHER
39	N/S	Y AXIS METAL
40	N/S	Y AXIS DOG ADJUSTING PLATE
41	N/S	PROTECTION STICKER
42	N/S	F CABLE HOLDER A
43	N/S	F CABLE HOLDER B
44	N/S	F CABLE HOLDER C
45	N/S	F CABLE GUIDE
46	N/S	INSULATION SHEET
47	N/S	INSULATION SHEET
48	N/S	Y AXIS BASE SHEET

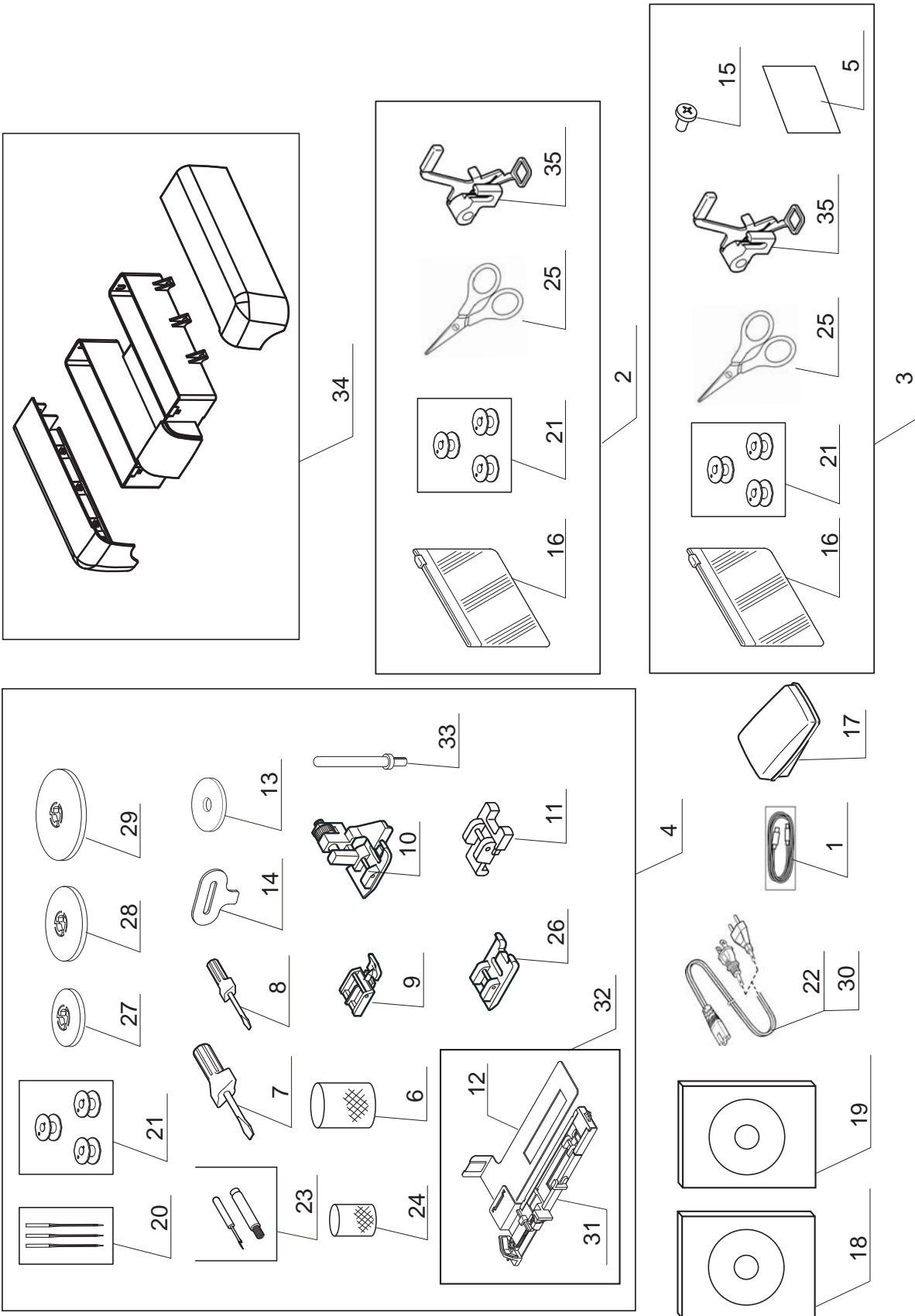
9



3



<u>Pos</u>	<u>Part No</u>	<u>Description</u>
1	N/S	WASHER
2	416453901	M4 NUT
3	416454101	LARGE HOOP (SET)
4	416454101	OUTER FRAME (L)
5	416454101	INNER FRAME (L)
6	416454201	HOOP SECURING SCREW (SET)
7	416454201	HOOP SECURING SCREW COVER
8	416454201	HOOP SECURING SCREW
9	416454301	SMALL HOOP (SET)
10	416454301	OUTER FRAME (S)
11	416454301	INNER FRAME (S)
12	416454401	RUBBER A
13	416454501	RUBBER B



<u>Pos</u>	<u>Part No</u>	<u>Description</u>
1	416436901	USB CABLE
2		ACCESSORY SET
3		ACCESSORY SET (ITALY ONLY)
4		ACCESSORY SET
5		INTRODUCTION SEET
6	416436801	THREAD SPOOL NET (LONG)
7	270 065811	LARGE SCREW DRIVER
8	270 074793	SMALL SCREW DRIVER
9	416437001	ZIPPER FOOT
10	416437101	BLIND STITCH FOOT
11	270 076251	BUTTON SEWING FOOT
12	270 076630	BUTTONHOLE PLATE
13	270 077040	SPOOL PIN DISC
14	270 079455	LARGE SCREW DRIVER
15		#7 SCREW FOR SHANK
16		ACCESSORY VINYL BAG
17	416436101	FOOT CONTROL
18		INTRODUCTION CD
19		SOFTWARE CD
20		NEEDLE SET
21	416436301	BOBBIN
22	270 085339	POWER CORD (230V)
23	416436401	BUTTONHOLE OPENER / BRUSH
24	270 086933	THREAD SPOOL NET (SHORT)
25	270 087003	SCISSORS
26	416437201	SATIN FOOT
27	270 087287	SPOOL PIN CAP (MINI)
28	270 087289	SPOOL PIN CAP (SMALL)
29	270 087290	SPOOL PIN CAP (LARGE)
30	270 087534	POWER CORD (120V)
31	270 087696	BUTTONHOLE FOOT
32	270 088100	BUTTONHOLE FOOT
33	270 088366	SPOOL PIN
34		ACCESSORY BOX
35	416436701	EMBROIDERY PRESSER FOOT