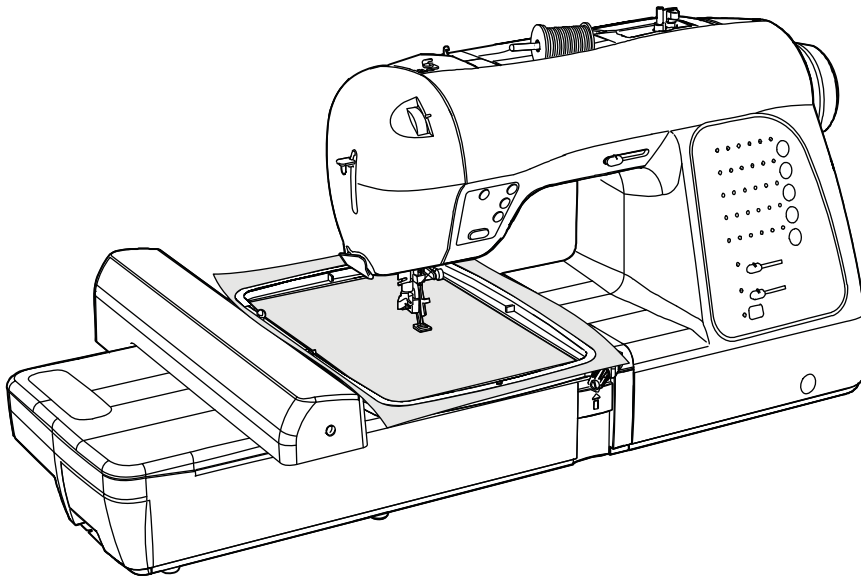




SINGER | Futura™

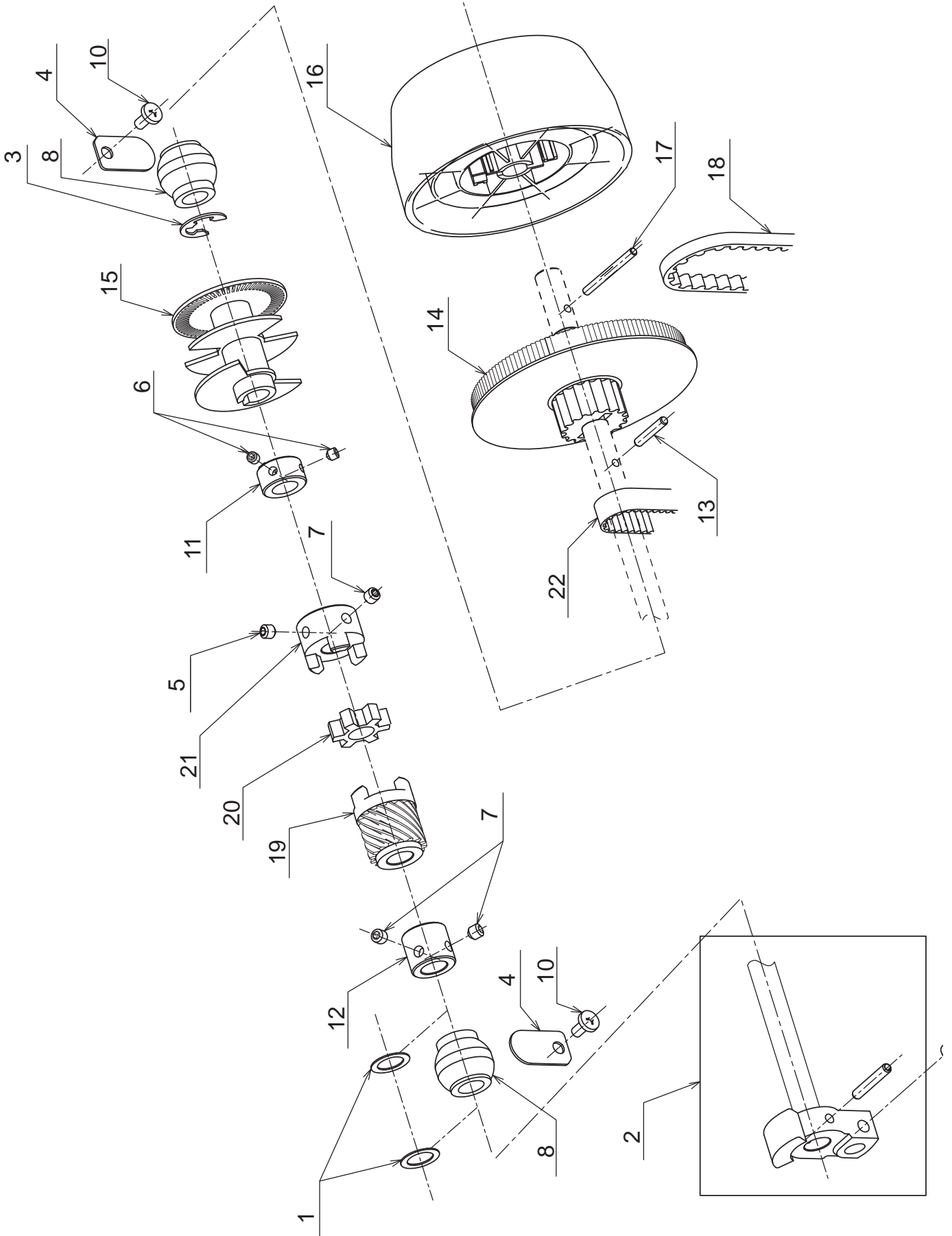
XL-400

FQ-4



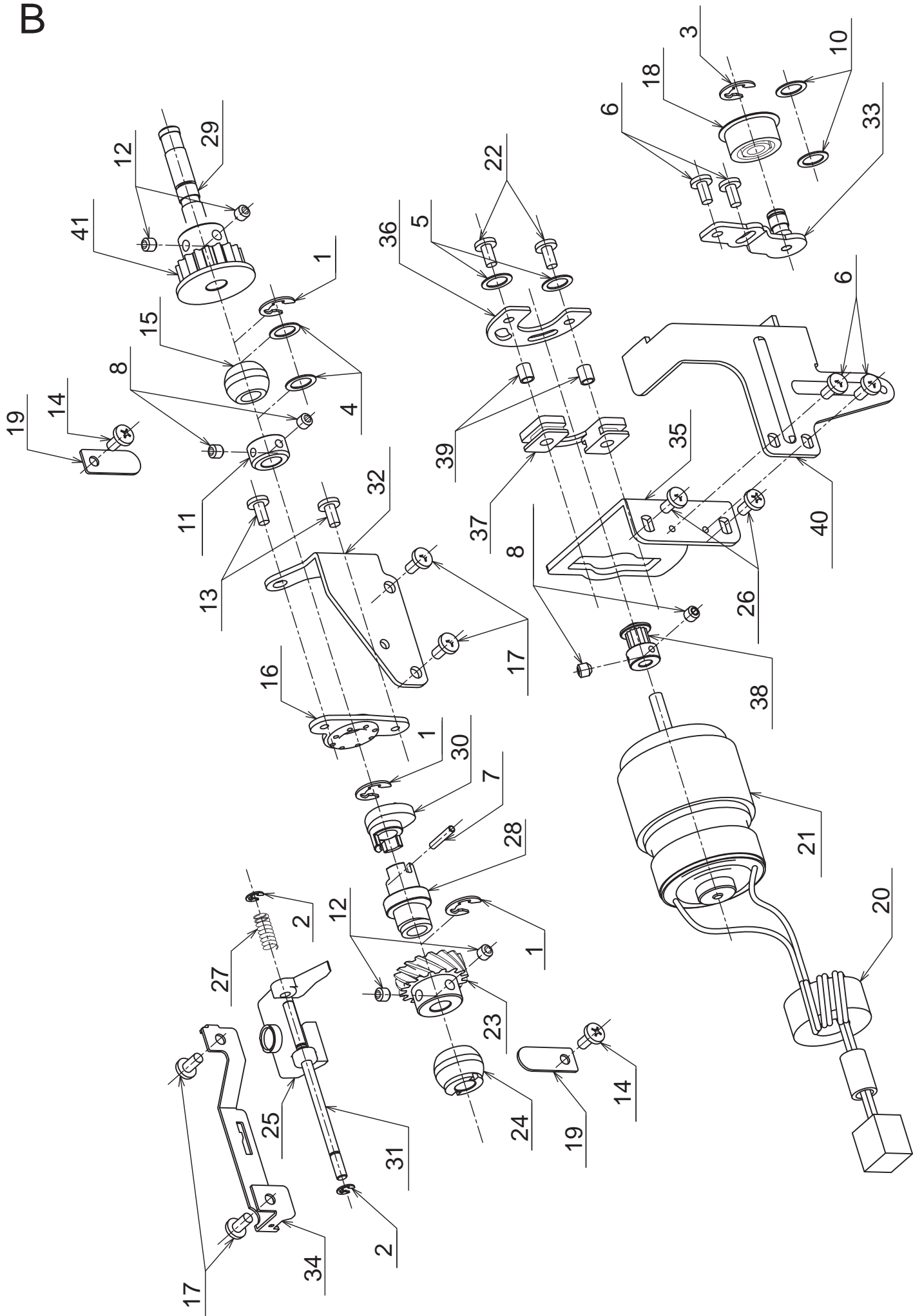
Liste de pièces
Lista de Piezas
Parts List

A

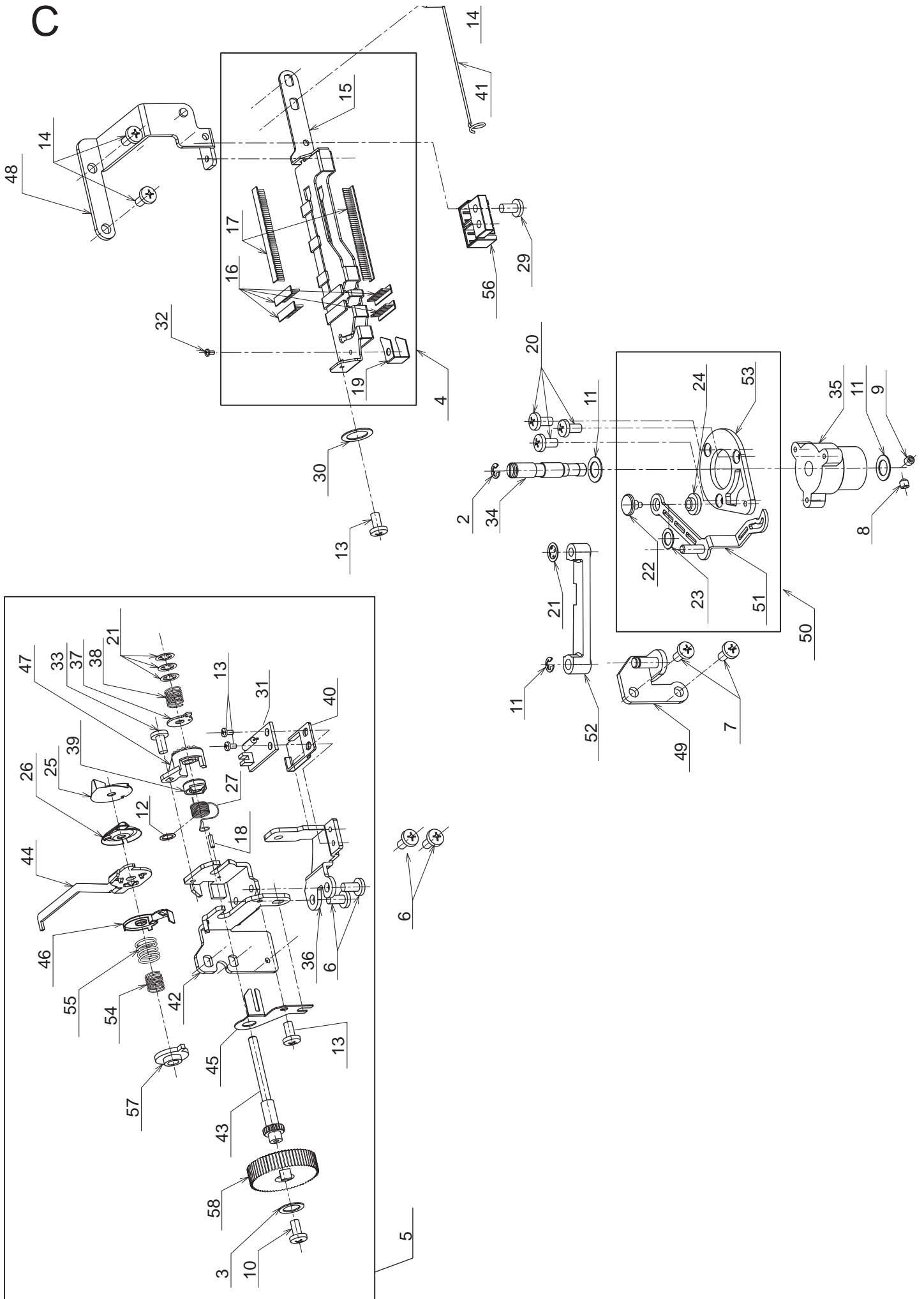


Pos	Part No	Description
1	270 043389	THRUST WASHER
2	416593301	MAIN SHAFT WITH BALANCER
3	N/A	E9 CLIP-ON-WASHER
4	270 066235	SECURING PLATE
5	270 066474	M5 SCREW
6	270 066725	M4 SCREW
7	270 067447	M5 SCREW
8	270 068152	BALL BUSH
9	270 073371	M6 SCREW
10	270 073434	M4 PHILIPS SCREW
11	N/A	POSITIONING COLLAR
12	N/A	COLLAR
13	416433401	SPRING PIN
14	416433301	DOUBLE T PULLEY
15	416433701	ENCODER
16	416433101	PULLEY
17	416433201	PIN
18	416433501	DRIVING BELT
19	N/A	MAIN SHAFT SCREW GEAR
20	N/A	RUBBER CUSHION
21	N/A	MAIN SHAFT SCREW GEAR FIXING RING
22	416433601	TIMING BELT

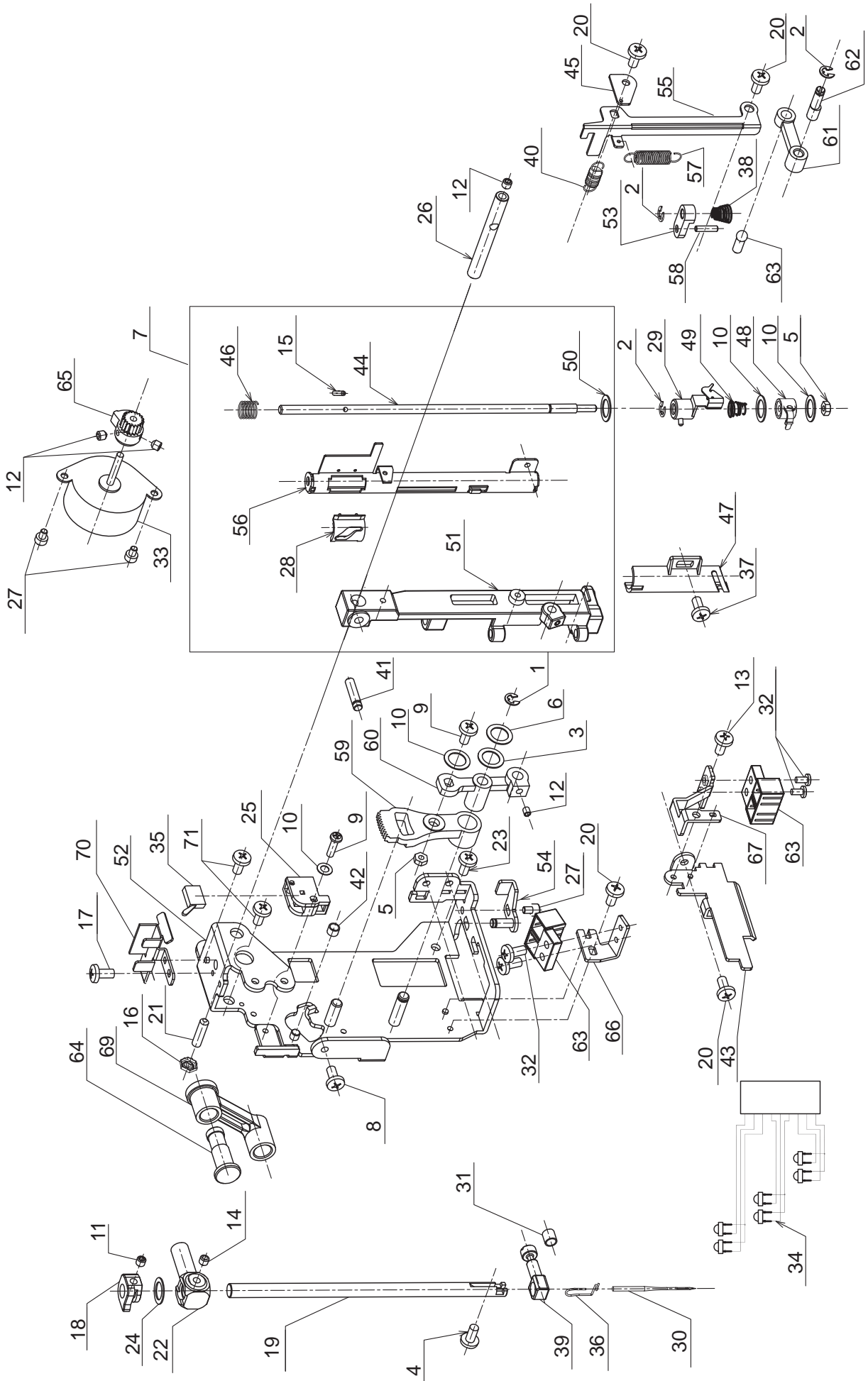
B



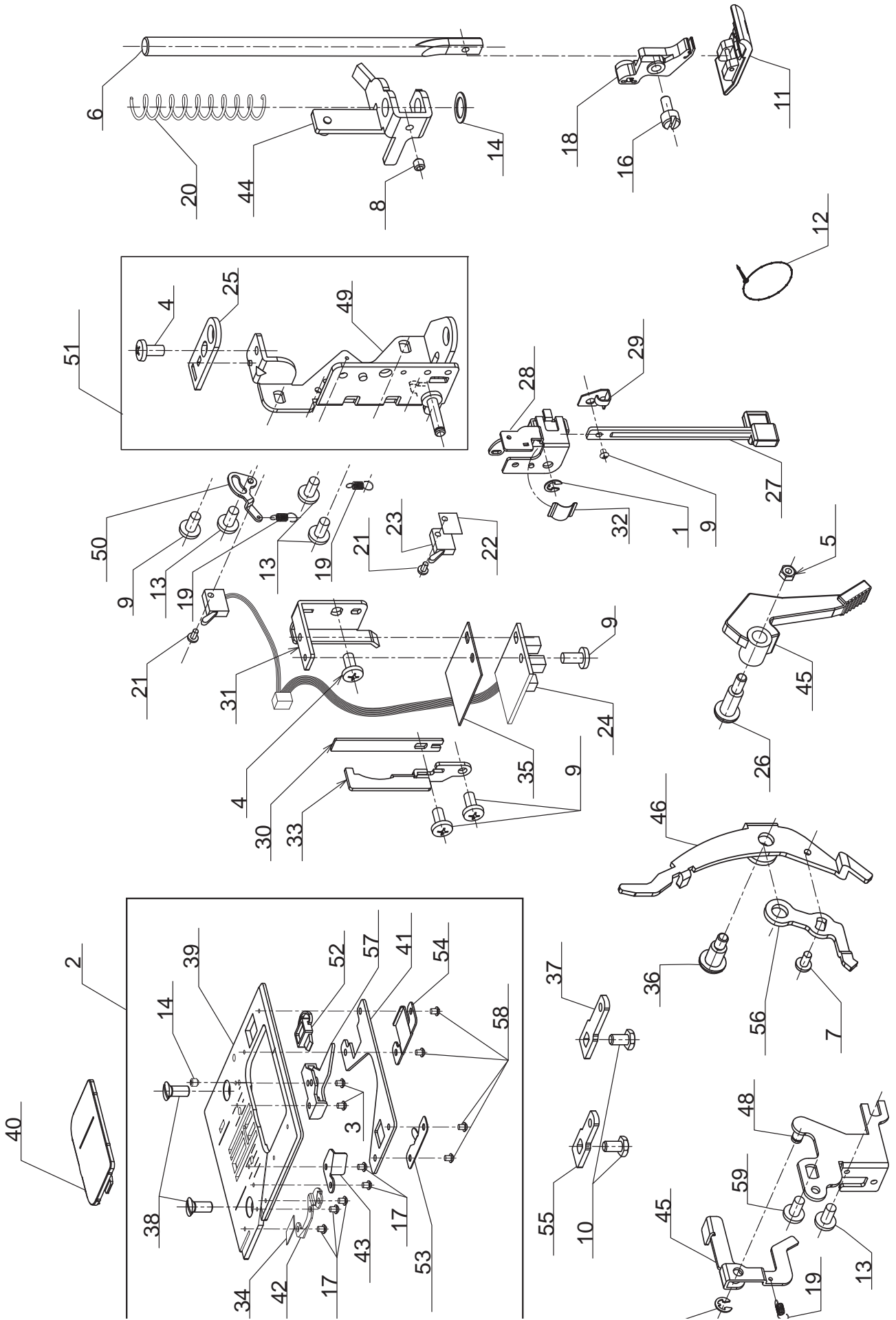
Pos	Part No	Description
1	270 001504	E7 CLIP-ON-WASHER
2	270 001520	E3 CLIP-ON-WASHER
3	270 010963	E6 CLIP-ON-WASHER
4	270 043390	THRUST WASHER
5	N/A	WASHER
6	270 061222	M4 PHILIPS SCREW
7	270 064179	SPRING PIN
8	270 064653	M3 SCREW
9	270 066725	M4 SCREW
10	270 066787	WASHER
11	270 067444	COLLAR
12	270 067447	M5 SCREW
13	270 072367	M4 CP SCREW
14	270 073434	M4 PHILIPS SCREW
15	270 076141	BALL METAL
16	270 076488	LOWER SHAFT GUIDE
17	270 077042	M4 PHILLIPS SCREW
18	270 085138	TENSION ROLLER
19	N/A	SECURING PLATE
20	270 085318	FERRITE RING
21	416433801	MAIN MOTOR ASSY.
22	416433901	CP BOLT
23	416434001	BEVEL GEAR
24	270 087170	BALL METAL
25	270 087226	VERTICAL FEED BLOCK
26	270 087261	CP BOLT
27	270 087433	TORSION SPRING
28	270 088115	LIFTING CAM
29	416434101	LOWER SHAFT
30	416434201	FEED CAM
31	N/A	VERTICAL SHAFT
32	N/A	SHAFT SUPPORT
33	416434301	TENSION ROLLER SUPPORT
34	N/A	DROP LEVER GUIDE
35	N/A	MAIN MOTOR SUPPORT
36	N/A	M BRACKET
37	416434401	M CUSHION
38	416434501	MOTOR PULLEY
39	416434601	PIPE BUSH
40	N/A	SECURING PLATE
41	416434701	LOWER SHAFT BELT PULLEY



Pos	Part No	Description			
1	270 001513	E4 CLIP-ON-WASHER	54	416457001	COMPRESSION SPRING (SMALL)
2	270 008400	E5 CLIP-ON-WASHER	55	416457001	COMPRESSION SPRING (LARGE)
3	270 031246	WASHER	56	416436001	LED LIGHT CASE
4	416434901	THREAD GUIDE SET	57	416434901	TENSION ADJUSTING PLATE
5	416457001	TENSION SET	58	416434901	TENSION GEAR
6	270 061222	M4 PHILIPS SCREW			
7	270 061224	M4 PHILIPS SCREW			
8	270 062307	M4 SCREW			
9	270 066052	M4 SCREW			
10	415404701	M3 PHILIPS SCREW			
11	416435001	THRUST WASHER			
12	270 073363	THRUST WASHER			
13	270 076317	M3 PHILIPS SCREW			
14	270 077042	M4 PHILLIPS SCREW			
15	416434901	THREAD GUIDE			
16	416434901	BRUSH			
17	416434901	BRUSH			
18	N/A	PIN			
19	416434901	THREAD GUIDE PLATE			
20	416435101	TAPPING SCREW			
21	270 077507	CLIP-ON-WASHER			
22	416435201	TAKE UP LEVER PIN			
23	416435201	WASHER			
24	416435201	BUSH			
25	416457001	TENSION DISC (R)			
26	416457001	TENSION DISC (L)			
27	416457001	SPRING			
28	N/A	BRUSH			
29	270 085263	M3 SCREW			
30	270 085273	WASHER			
31	416435301	NEDDLE THEARD SENSOR HARNESS			
32	270 086376	M3 SCREW			
33	270 087256	M3 PHILIPS SCREW			
34	416435601	STUD SCREW			
35	416435701	GEAR			
36	416457001	BRACKET			
37	416457001	ADJUST PLATE			
38	416457001	COMPRESSION SPRING			
39	416457001	CHECK SPRING			
40	416457001	INSULATION BOX			
41	416435801	GUIDE			
42	416457001	TENSION SUPPORT			
43	416457001	TENSION SHAFT			
44	416457001	TENSION RELEASE PLATE			
45	416457001	TENSION SHAFT PLATE			
46	416457001	SPRING SUPPORT			
47	416457001	CHECK SPRING			
48	N/A	THREAD GUIDE PLATE SUPPORT			
49	N/A	TAKE-UP LEVER SUPPORT			
50	416435201	TAKE-UP LEVER UNIT			
51	416435201	TAKE-UP LEVER			
52	416435901	TAKE-UP LEVER ARM			
53	416435201	TAKE-UP LEVER CRANK			

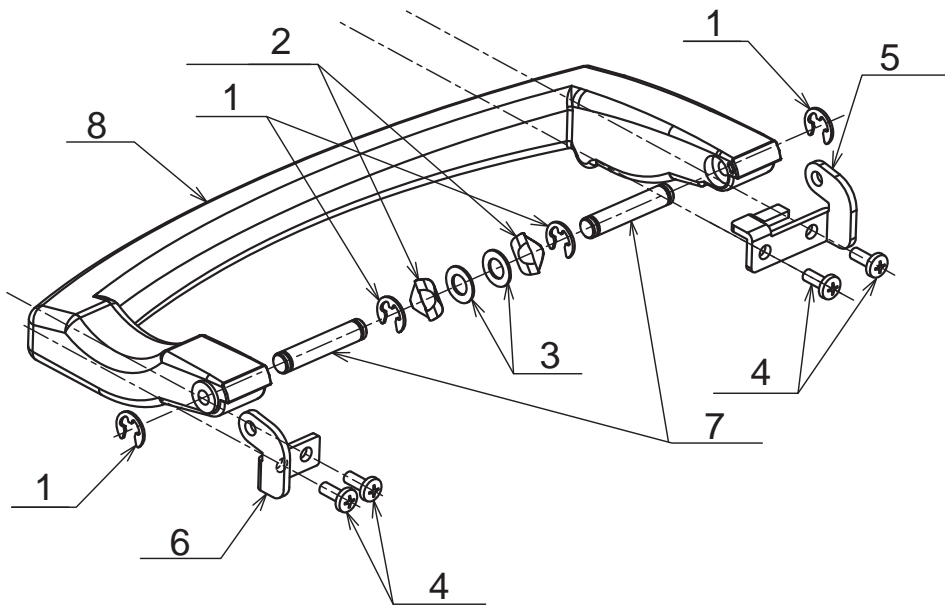


Pos	Part No	Description			
1	270 001513	E4 CLIP-ON-WASHER	55	N/A	THEARDER GUIDE PLATE
2	270 001520	E3 CLIP-ON-WASHER	56	416437801	THREADER GUIDE A
3	N/A	WASHER	57	416438801	THREADER SPRING
4	270 026934	#8 SCREW	58	416439101	PIN
5	270 031733	M3 NUT	59	416438901	ZZ GEAR
6	270 032949	WASHER	60	416439001	ZZ GEAR LEVER
7	416437801	NEEDLE BAR SUPPORT SET	61	416439201	ZZ LINK
8	270 061222	M4 PHILIPS SCREW	62	416439301	ECCENTRIC PIN
9	270 063796	M3 SCREW	63	416439401	ROUND SHAFT
10	270 063805	WASHER	64	416439601	HEADED PIN
11	270 064359	M4 SCREW	65	416439501	PINION
12	270 064653	M3 SCREW	66	N/A	LED SUPPORT (LEFT)
13	415404701	M3 PHILIPS SCREW	67	N/A	LED SUPPORT (RIGHT)
14	270 066725	M4 SCREW	68	416436001	LED LIGHT CASE
15	270 068343	PIN	69	416439701	NEEDLE BAR CRANK
16	270 073299	M4 TORQUE NUT	70	N/A	THREAD GUIDE
17	270 073900	M3 PHILIPS SCREW	71	416439801	SCREW
18	270 075024	STOPPER			
19	270 076183	NEEDLE BAR			
20	270 076317	M3 PHILIPS SCREW			
21	270 076324	M4 SCREW			
22	270 077037	NEEDLE BAR CLAMP			
23	270 077042	M4 PHILLIPS SCREW			
24	270 077043	FELT			
25	270 077527	SENSOR COVER			
26	270 080095	STRAIGHT PIN			
27	270 080110	BOLT			
28	270 080296	THREAD GUIDE C			
29	270 080297	TWIN THREADING HOOK SET			
30		NEEDLE			
31	416437901	TUBE			
32	270 085263	M3 SCREW			
33	416438001	STEPPING MOTOR			
34	416438101	LED LAMP HARNESS			
35	416438201	STEPPING MOTOR HARNESS (ZIG ZAG)			
36	270 086046	THREAD GUIDE			
37	270 086376	M3 SCREW			
38	270 086999	SPRING			
39	270 087154	NEEDLE CLAMP SET			
40	270 087188	SPRING			
41	270 087207	STRAIGHT PIN			
42	270 087273	PIN			
43	270 088317	THREAD GUIDE PLATE			
44	416437801	THREADER SHAFT			
45	N/A	SECURING PLATE			
46	416438301	COMPRESSION SPRING			
47	416438401	THREAD GUIDE B			
48	416438501	THREAD GUIDE ASSY			
49	270 088432	SPRING			
50	270 088433	WASHER			
51	416437801	NEEDLE BAR SUPPORT			
52	N/A	SUPPORT BRACKET			
53	416438601	SUPPORT BRACKET			
54	416438701	SUPPORT BRACKET			



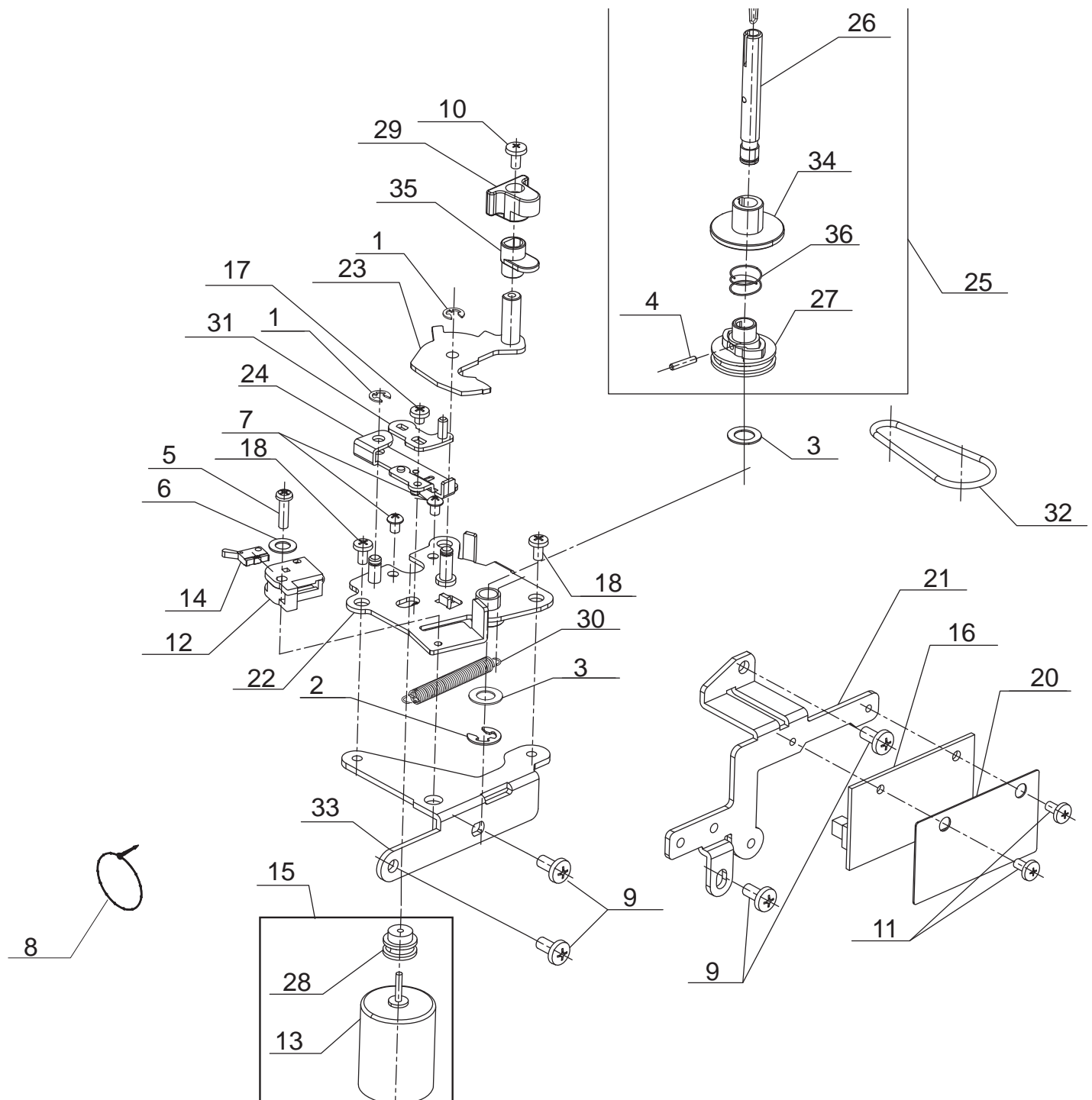
Pos	Part No	Description			
1	270 001520	E3 CLIP-ON-WASHER	54	416440001	BRACKET
2	416440001	NEEDLE PLATE SET	55	416440601	NEEDLE PLATE BRACKET
3	270 056858	M2 PHILIPS SCREW	56	N/A	PRESSER SWITCH DOG
4	270 061221	M4 PHILIPS SCREW	57	416440001	THREAD CONTROL PLATE
5	270 062215	M4 NUT	58	416440001	M2 PHILIPS SCREW
6	270 063278	PRESSER BAR	59	416439801	SCREW
7	415404701	M3 PHILIPS SCREW			
8	270 066727	M4 SCREW			
9	270 073900	M3 PHILIPS SCREW			
10	N/A	M4 BOLT			
11	270 076251	PRESSER FOOT			
12	270 077041	UNITY FASTENER			
13	270 077042	M4 PHILLIPS SCREW			
14	270 077043	FELT			
15	270 079491	SCREW			
16	270 080065	7 SCREW FOR SHANK			
17	270 080096	M2 PHILIPS SCREW			
18	270 085016	PRESSER FOOT HOLDER			
19	270 085064	EXTENSION SPRING			
20	270 085065	COMPRESSION SPRING			
21	270 085262	M2 SCREW			
22	270 085332	SPACER			
23	416439901	PRESSER FOOT POSITIONNING HARNESS			
24	416440101	BUTTON HOLE STITCH SENSOR HARNESS			
25	270 087115	PRESSURE SUPPORT PLATE			
26	270 087212	M4 SCREW			
27	270 087677	BH PLATE (A)			
28	270 087679	BH PLATE (B)			
29	270 087680	BH PLATE (C)			
30	270 087692	BH CANTILEVER			
31	270 087693	BH PALTE			
32	270 087694	LEAF SPRING			
33	270 087695	BH CANTILEVER SUPPORT			
34	270 087766	BLADE			
35	270 088112	INSULATION SHEET			
36	416440401	STUD SCREW			
37	416440501	NEEDLE PLATE BRACKET			
38	416440701	M4 SCREW			
39	416440001	NEEDLE PLATE			
40	416440801	BOBBIN COVER PLATE			
41	416440001	NEEDLE PLATE GUIDE			
42	416440001	THREAD CUTTER SECURING PLATE			
43	416440001	THREAD CONTROL PLATE			
44	N/A	PRESSER BAR GUIDE			
45	416440901	PRESSER FOOT LIFTER			
46	N/A	TENSION RELEASE LEVER			
47	N/A	THREAD REGULATOR RELEASE LEVER			
48	N/A	THREAD REGULATOR RELEASE LEVER BASE			
49	416440201	PRESSER BAR GUIDE			
50	416440301	SWITCH DOG ADJUSTMENT PLATE			
51	N/A	PRESSER BAR GUIDE SET			
52	416440001	RELEASE KNOB			
53	416440001	RELEASE SPRING PLATE			

F

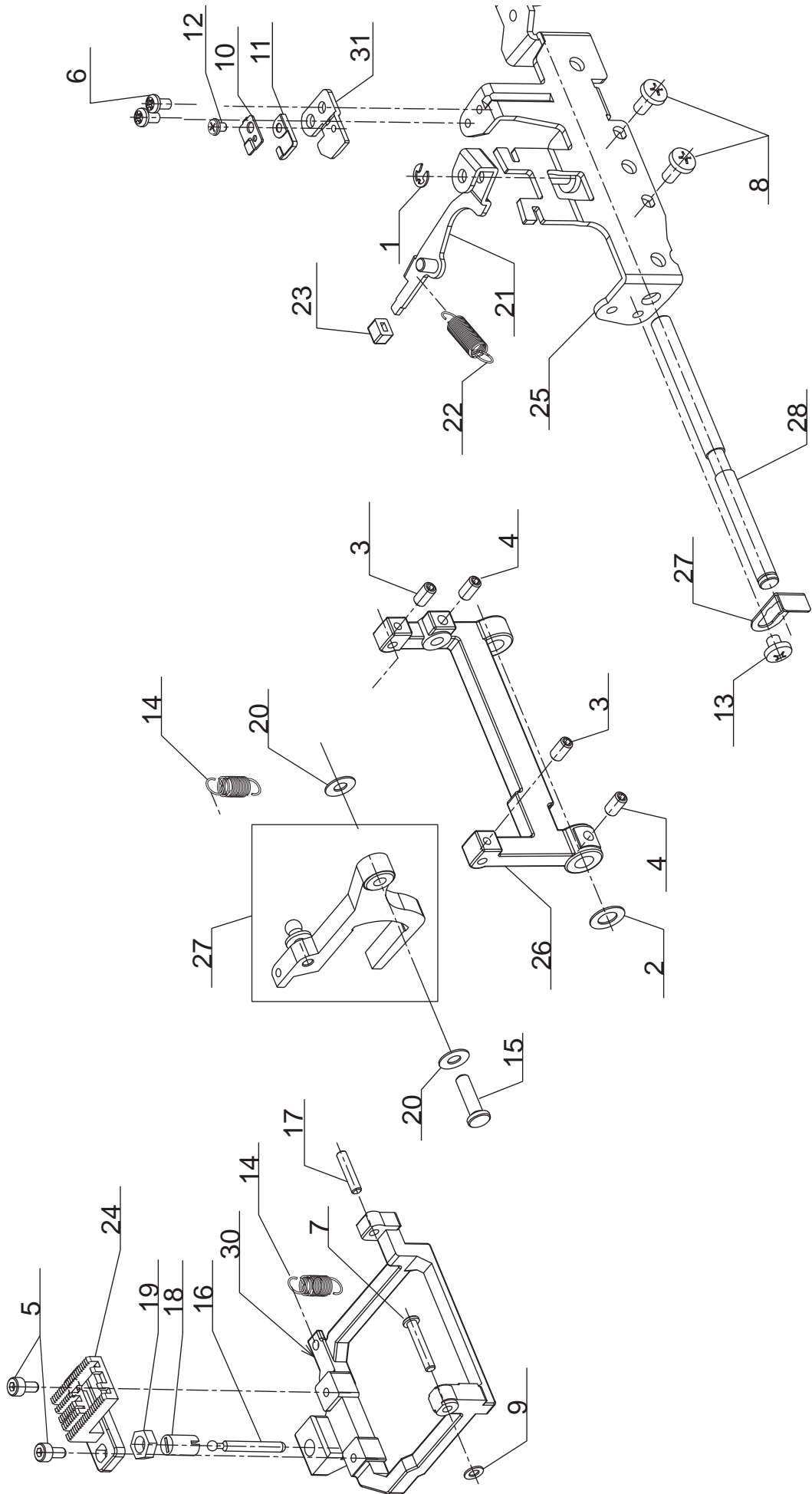


<u>Pos</u>	<u>Part No</u>	<u>Description</u>
1	270 001513	E4 CLIP-ON-WASHER
2	270 028735	CRINKLE WASHER
3	270 032949	WASHER
4	270 061224	M4 PHILIPS SCREW
5	416441101	HANDLE BRACKET
6	416441201	HANDLE BRACKET
7	416441301	PIN HANDLE
8	416441401	HANDLE

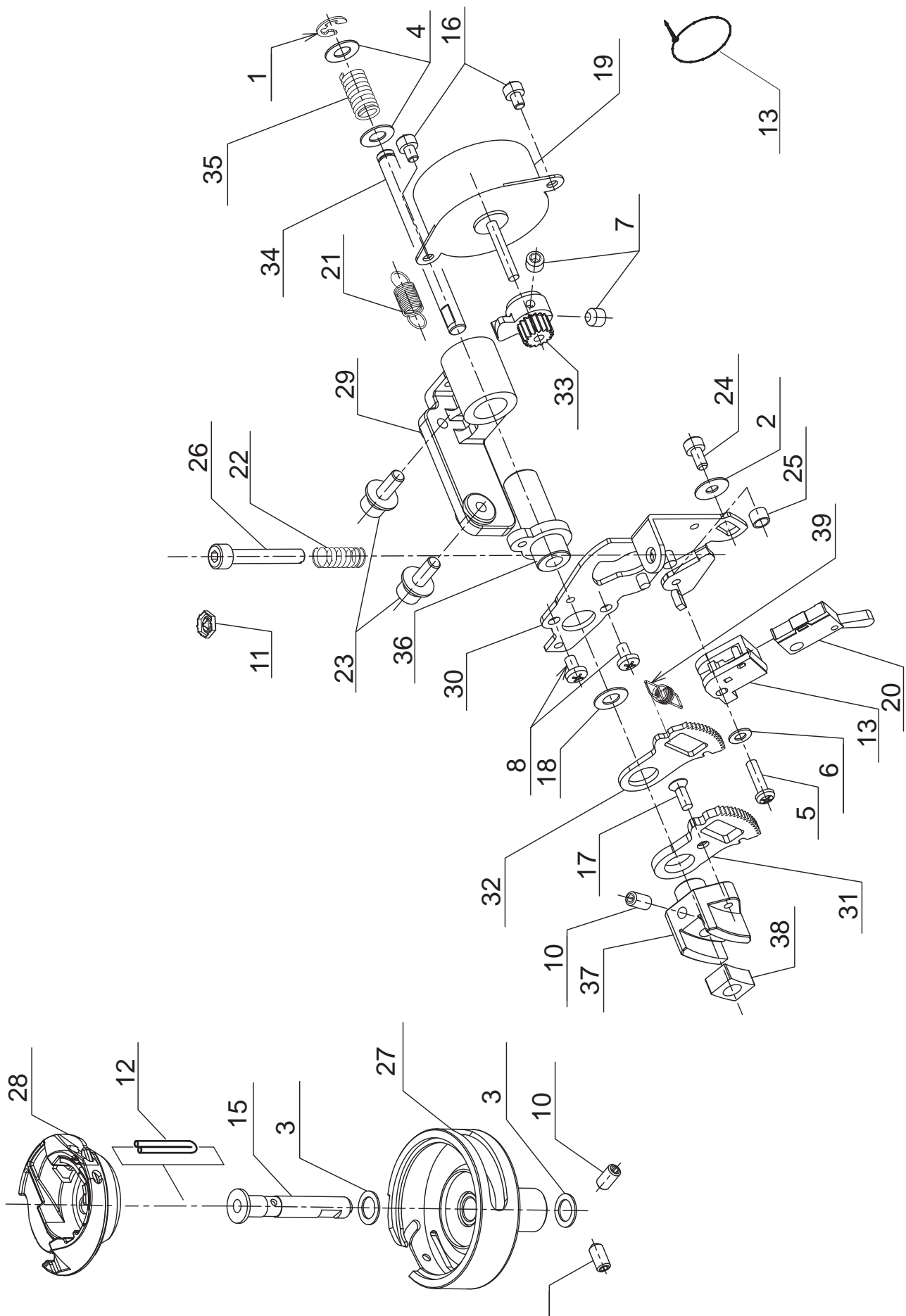
G



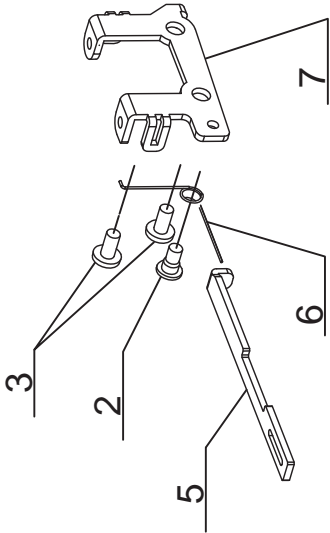
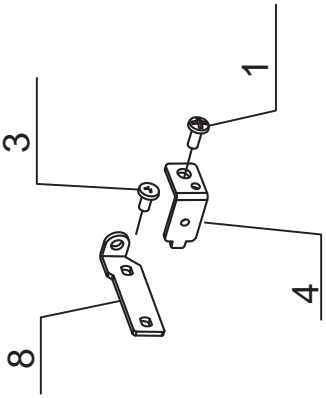
Pos	Part No	Description
1	270 001520	E3 CLIP-ON-WASHER
2	270 008400	E5 CLIP-ON-WASHER
3	270 032316	WASHER
4	270 060162	KNOCK PIN
5	270 063796	M3 SCREW
6	270 063805	WASHER
7	270 073900	M3 PHILIPS SCREW
8	270 077041	UNITY FASTENER
9	270 077042	M4 PHILLIPS SCREW
10	270 077044	M3 PHILIPS SCREW
11	270 077053	M3 PHILIPS SCREW
12	270 077527	SENSOR COVER
13	416441501	MOTOR FOR BOBBIN WINDER
14	416441601	BOBBIN WINDER SWITCH HARNESS
15	N/A	MOTOR FOR BOBBIN WINDER UNIT
16	416441701	CAM SENSOR HARNESS
17	270 086376	M3 SCREW
18	270 087000	M4 SCREW
19	416441801	SPRING BOBBIN WINDING
20	270 087242	INSULATION SHEET
21	N/A	CAM SENSOR FIXING PLATE
22	N/A	BOBBIN WINDER
23	N/A	BOBBIN WINDER ARM
24	N/A	BOBBIN WINDER SWITCH
25	N/A	BOBBIN WINDER SHAFT UNIT
26	416441901	BOBBIN WINDER SHAFT
27	416442001	BOBBIN WINDER PULLEY
28	416442101	BOBBIN WINDER MOTOR PULLEY
29	416442201	BOBBIN WINDER CAM
30	416442301	BOBBIN WINDER EXTENSION SPRING
31	N/A	BOBBIN WINDER FOLLOWER
32	416442401	BELT BOBBIN WINDING
33	N/A	BOBBIN WINDING UNIT SUPPORT
34	416442501	BOBBIN WINDING SWITCH LIMITER A
35	416442601	BOBBIN WINDING SWITCH LIMITER B
36	416442701	COMPRESSION SPRING



<u>Pos</u>	<u>Part No</u>	<u>Description</u>
1	270 001520	E3 CLIP-ON-WASHER
2	270 032316	WASHER
3	270 064653	M3 SCREW
4	270 066725	M4 SCREW
5	270 072274	M3 CP SCREW
6	270 073900	M3 PHILIPS SCREW
7	270 076132	SHAFT
8	270 077042	M4 PHILLIPS SCREW
9	270 085252	WASHER
10	416443101	NEEDLE BAR THREAD GUIDE
11	416443201	RETAINER PLATE
12	416443301	RETAINER SET
13	270 087000	M4 SCREW
14	270 087186	TORSION SPRING
15	270 087206	PIN
16	270 087208	BALL HEADED PIN
17	270 087210	PIN
18	270 087232	M6 STUD SCREW
19	270 087268	M6 NUT
20	270 087269	WASHER
21	270 087423	DROP LEVER
22	270 087424	TORSION SPRING
23	270 087425	DROP KNOB
24	416443401	FEED FOG
25	N/A	FEED SECURING PLATE
26	416443501	FEED DOG BASE SUPPORT
27	416443601	FEED REGULATOR ARM UNIT
28	N/A	FEED REGULATOR SHAFT
29	416443701	SECURING PLATE
30	416443901	FEED DOG BASE
31	416457101	RETAINER

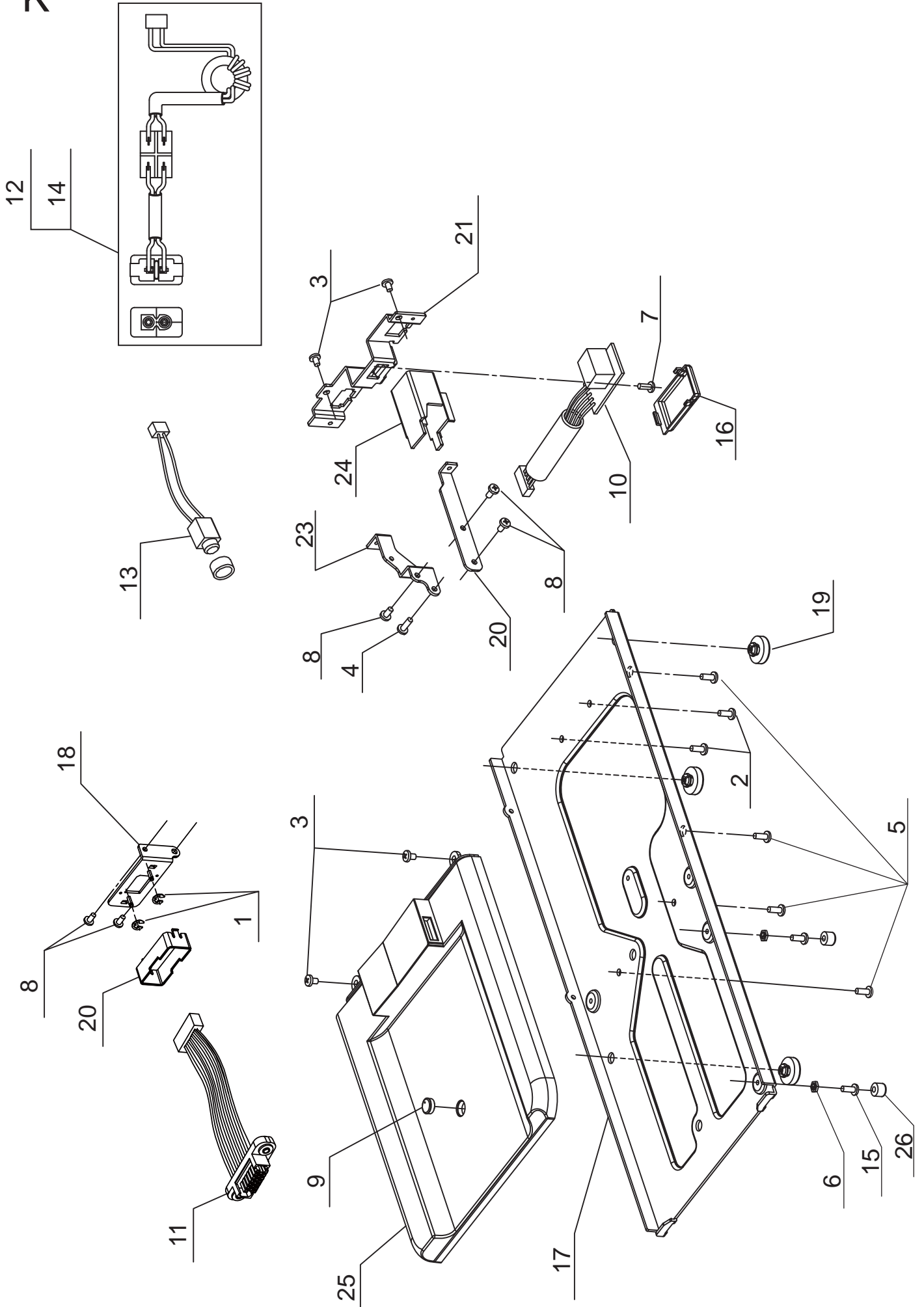


<u>Pos</u>	<u>Part No</u>	<u>Description</u>
1	270 001513	E4 CLIP-ON-WASHER
2	270 031246	WASHER
3	270 043392	THRUST WASHER
4	270 059221	WASHER
5	270 063796	M3 SCREW
6	270 063805	WASHER
7	270 064653	M3 SCREW
8	415404701	M3 PHILIPS SCREW
9	270 066725	M4 SCREW
10	270 066727	M4 SCREW
11	270 073299	M4 TORQUE NUT
12	270 076203	OILING CORD
13	270 077041	UNITY FASTENER
14	270 077527	SENSOR COVER
15	270 080078	SHUTTLE RACE SHAFT
16	270 080110	BOLT
17	270 085072	M3 SCREW
18	270 085162	WASHER
19	416438001	STEPPING MOTOR
20	416444201	STEPPING MOTOR HARNESS (FEEDING)
21	270 087188	SPRING
22	270 087189	COMPRESSION SPRING
23	270 087261	CP BOLT
24	270 087262	M3 CP SCREW
25	270 087273	PIN
26	270 087668	M4 BOLT
27	416444301	SHUTTLE RACE UNIT
28	416444401	BOBBIN CASE UNIT
29	416444801	FEED REGULATOR SUPPORT
30	N/A	PM SUPPORT
31	416444501	FEED REGULATOR BLOCK GEAR A
32	416444601	FEED REGULATOR BLOCK GEAR B
33	416444701	PINION (16T) UNIT
34	416444901	FEED REGULATOR SHAFT
35	416445001	FEED REGULATOR SPRING
36	416445101	FEED REGULATOR BUSH
37	416445201	FEED REGULATOR
38	416445301	SLIDE BLOCK
39	416445401	FEED REGULATOR GEAR SPRING

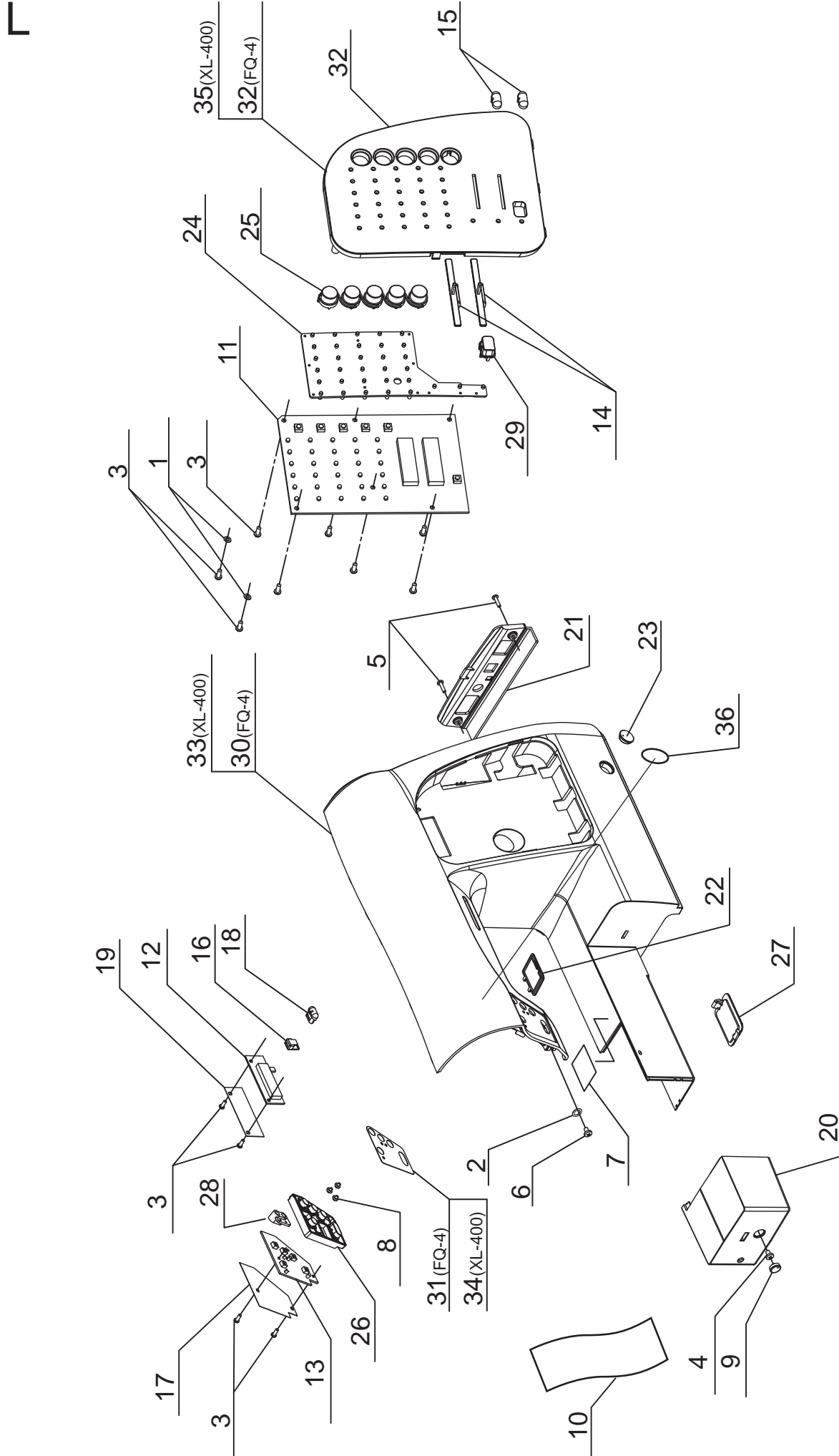


<u>Pos</u>	<u>Part No</u>	<u>Description</u>
1	270 063560	M4 PHILLIPS SCREW
2	270 066481	M4 STUD SCREW
3	270 077042	M4 PHILLIPS SCREW
4	N/A	MOUNTING PLATE
5	416445901	DROP CONNECTING PLATE
6	416446001	TORSION SPRING
7	416446101	BLADE FIXTURE
8	N/A	FEED BRACKET SUPPORT PLATE

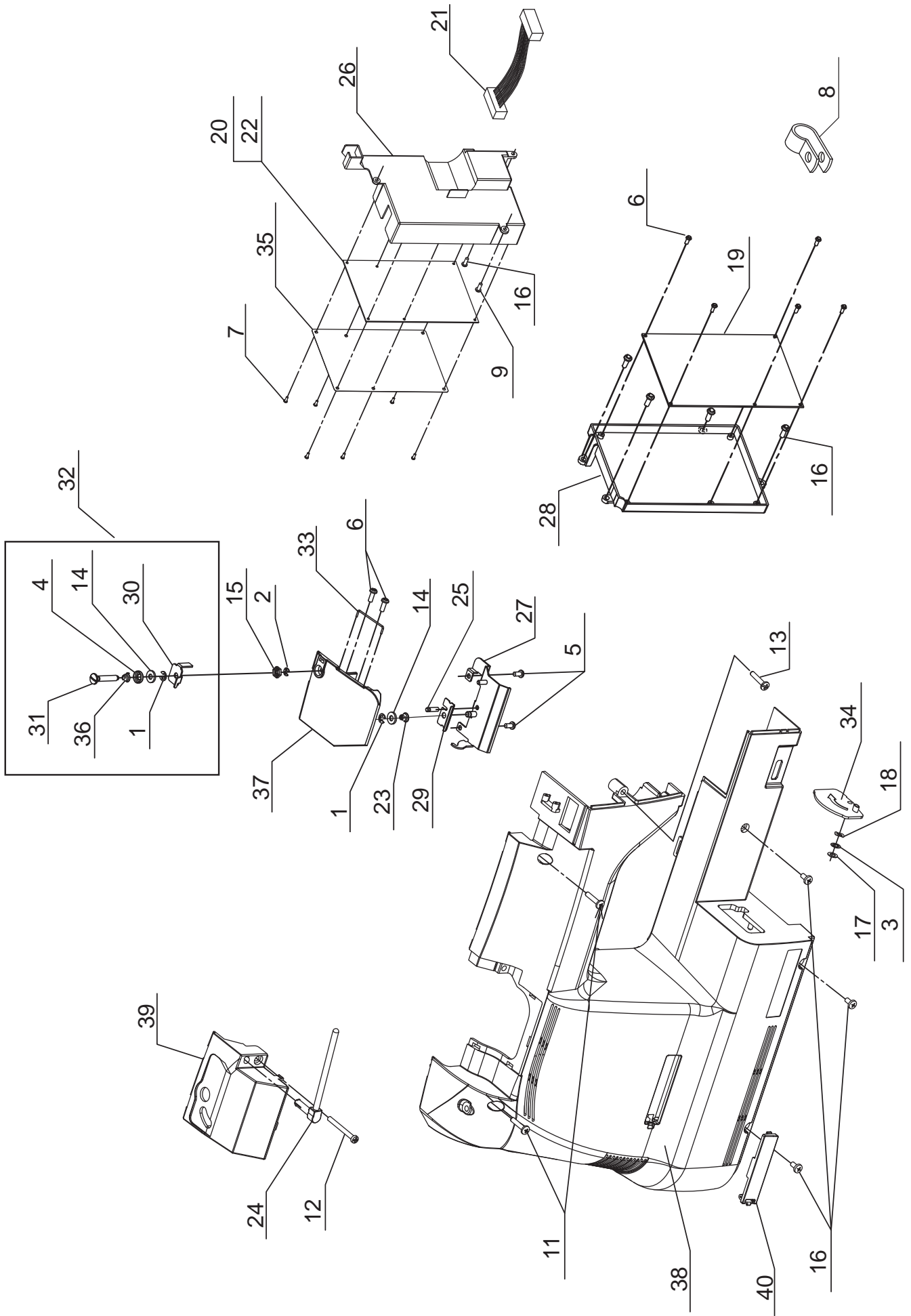
K



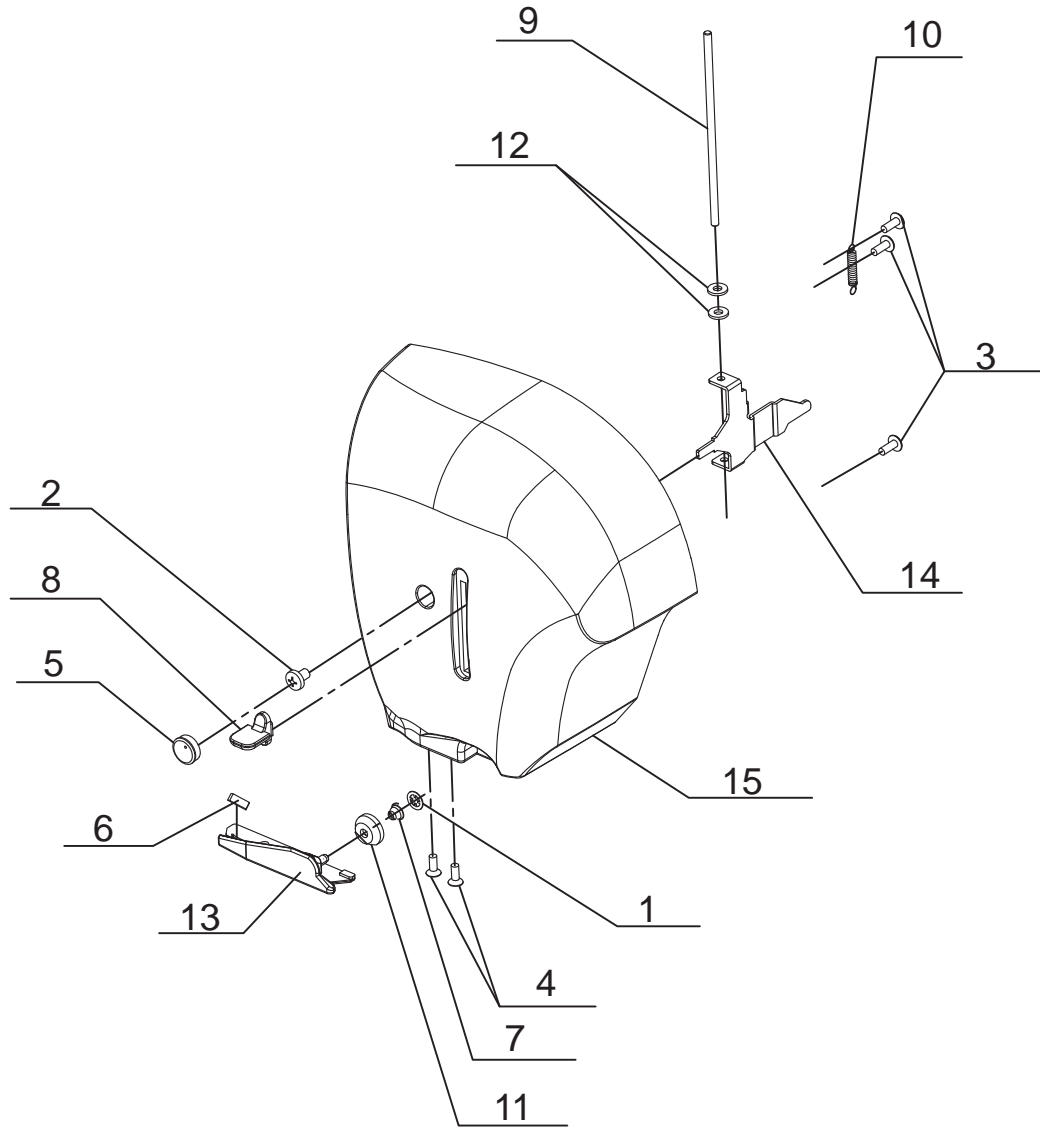
<u>Pos</u>	<u>Part No</u>	<u>Description</u>
1	270 025436	E2 CLIP-ON-WASHER
2	416448001	M3.5 TAPPING SCREW
3	270 061222	M4 PHILIPS SCREW
4	270 061225	M4 PHILIPS SCREW
5	270 063560	M4 PHILIPS SCREW
6	270 073299	M4 TORQUE NUT
7	270 073900	M3 PHILIPS SCREW
8	270 077042	M4 PHILLIPS SCREW
9	270 083116	CAP
10	270 084030	USB HARNESS
11	416448101	CONNECTING HARNESS
12	416448201	POWER SWITCH CORD ASSY. (120V)
13	416448301	FC JACK HARNESS
14	416448401	POWER SWITCH CORD ASSY. (230V)
15	270 086038	STUD SCREW
16	270 086934	USB INSULATION COVER
17	416448501	BASE
18	N/A	DRAWER SUPPORT
19	416448601	RUBBER CUSHION
20	416448701	DRAWER CAP
21	N/A	TERMINAL HOLDER
22	N/A	TERMINAL BRACKET (LEFT)
23	N/A	TERMINAL BRACKET (RIGHT)
24	N/A	SWITCH INSULATION COVER
25	416448801	BOTTOM COVER
26	416448901	RUBBER FOOT



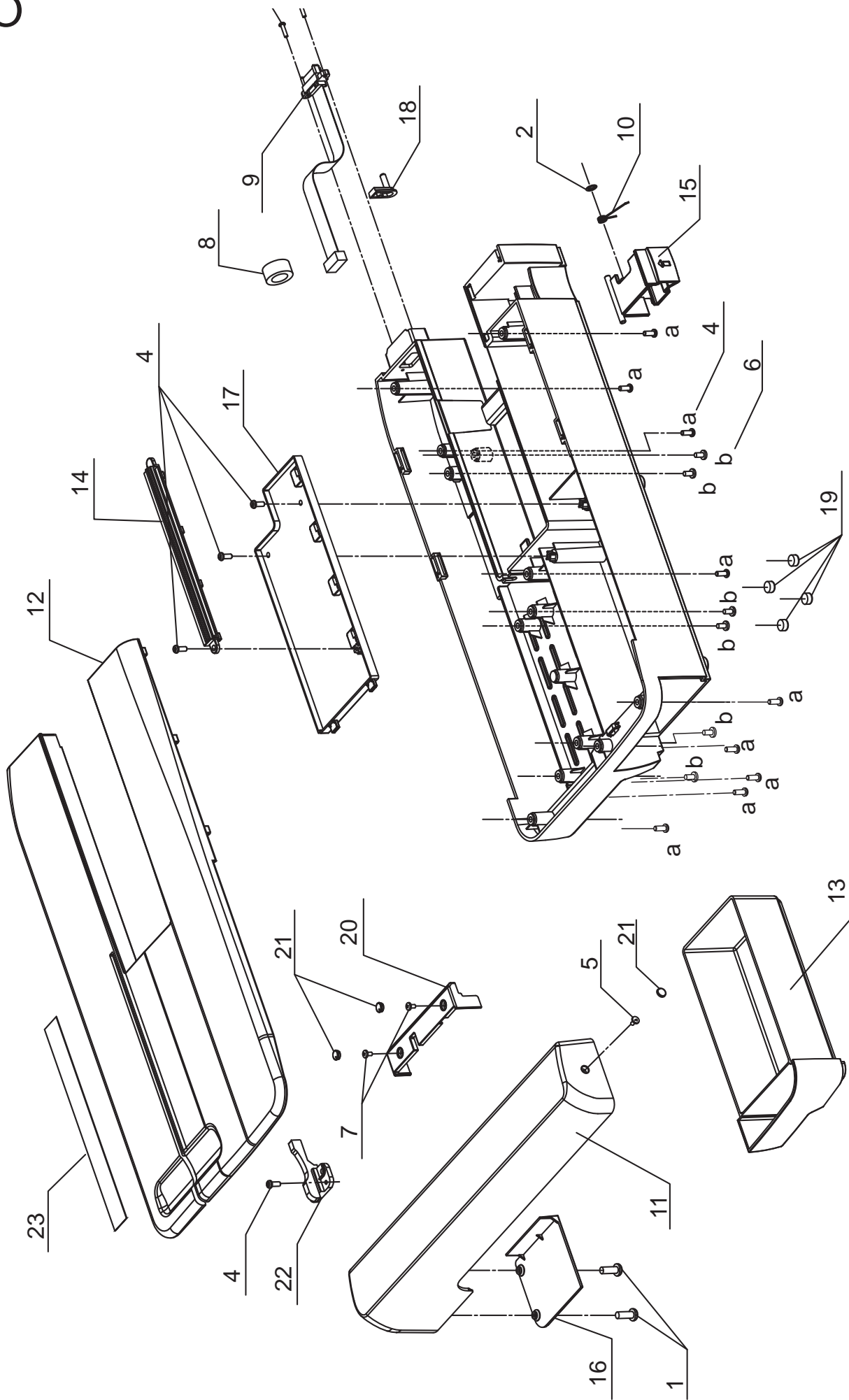
<u>Pos</u>	<u>Part No</u>	<u>Description</u>
1	270 025670	WASHER
2	270 031246	WASHER
3	270 039213	M3 SCREW
4	270 061222	M4 PHILIPS SCREW
5	416449001	M3 PHILIPS SCREW
6	270 076317	M3 PHILIPS SCREW
7	270 076511	SEAL
8	270 083044	LED PANEL
9	270 083116	CAP
10	416449201	CONNECTOR CABLE
11	416457201	SWITCH CIRCUIT BOARD
12	416449501	SPEED CONTROL SWITCH HARNESS
13	416457301	SW HARNESS
14	270 087293	SLIDE LEVER
15	270 087404	KNOB
16	416449601	SLIDE LEVER
17	416449701	INSULATION SHEET (SW HARNESS)
18	416449801	SPEED CONTROL KNOB
19	416447801	INSULATION SHEET (SV BOARD HARNESS)
20	416449901	BED CAP
21	416450001	TERMINAL COVER
22	416450101	LED LIGHT COVER
23	416450201	KNEE LIFTER CAP
24	416457401	LED COVER
25	416457501	SWITCH BUTTON
26	416457601	SWITCH PANEL BUTTON
27	416457701	STEPPING MOTOR ADJUST COVER
28	416457801	LED SHADE PLATE
29	416457901	TWIN NEEDLE BUTTON
30	416458001	FRONT COVER (for FQ-4)
31	416458201	SWITCH PANEL SHEET (for FQ-4)
32	416458401	CONTROL PANEL (for FQ-4)
33	416458101	FRONT COVER (for XL-400)
34	416458301	SWITCH PANEL SHEET (for XL-400)
35	416458501	CONTROL PANEL (for XL-400)
36	416458601	SEAL



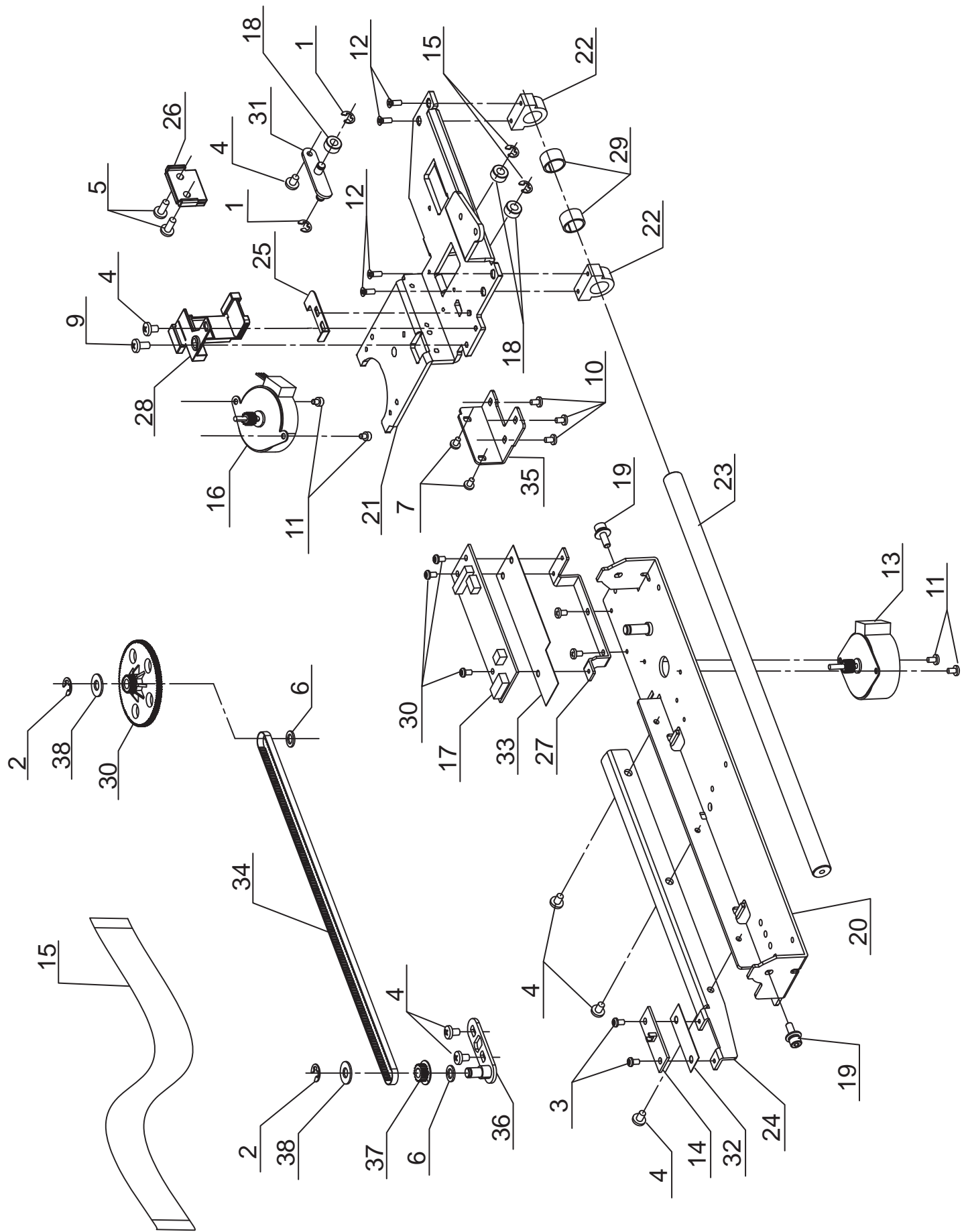
<u>Pos</u>	<u>Part No</u>	<u>Description</u>
1	270 001520	E3 CLIP-ON-WASHER
2	270 027925	E2.5 CLIP-ON-WASHER
3	270 032949	WASHER
4	416450501	HOLDER TENSION DISC
5	270 039163	TAPPING SCREW
6	270 039213	M3 SCREW
7	270 047181	TAPPING SCREW
8	270 058741	CORD GUARD
9	270 061225	M4 PHILIPS SCREW
10	270 063560	M4 PHILIPS SCREW
11	270 064484	TAPPING SCREW
12	270 064957	TAPPING SCREW
13	270 065736	M4 PHILIPS SCREW
14	270 072858	WASHER
15	270 073299	M4 TORQUE NUT
16	270 077042	M4 PHILLIPS SCREW
17	270 077507	CLIP-ON-WASHER
18	416450601	CRINKLE WASHER
19	416501301	CPU CIRCUIT BOARD XL400
20	416450801	AC CIRCUIT BOARD (100-120V)
21	416451001	CONNECTOR CABLE
22	416450901	AC CIRCUIT BOARD (200-240V)
23	270 086999	SPRING
24	270 087296	SPOOL PIN UNIT
25	416451101	PIN
26	N/A	AC CIRCUIT BOARD BOX
27	416451201	THREAD GUIDE
28	N/A	CPU CIRCUIT BOARD BOX
29	416451301	THREAD REGULATING PLATE
30	416450501	THREAD GUIDE BASE
31	416450501	THREAD GUIDE ADJUSTABLE SCREW
32	416450501	THREAD GUIDE UNIT
33	416451401	THREAD GUIDE PIN
34	416451501	DRAWER CAP
35	N/A	INSULATION SHEET (AC CIRCUIT)
36	416450501	COMPRESSION SPRING
37	416451701	THREAD PATH CAP
38	416458701	BACK COVER
39	416458801	BOBBIN WINDER COVER
40	416451901	SPOOL STAND ATTACHMENT COVER



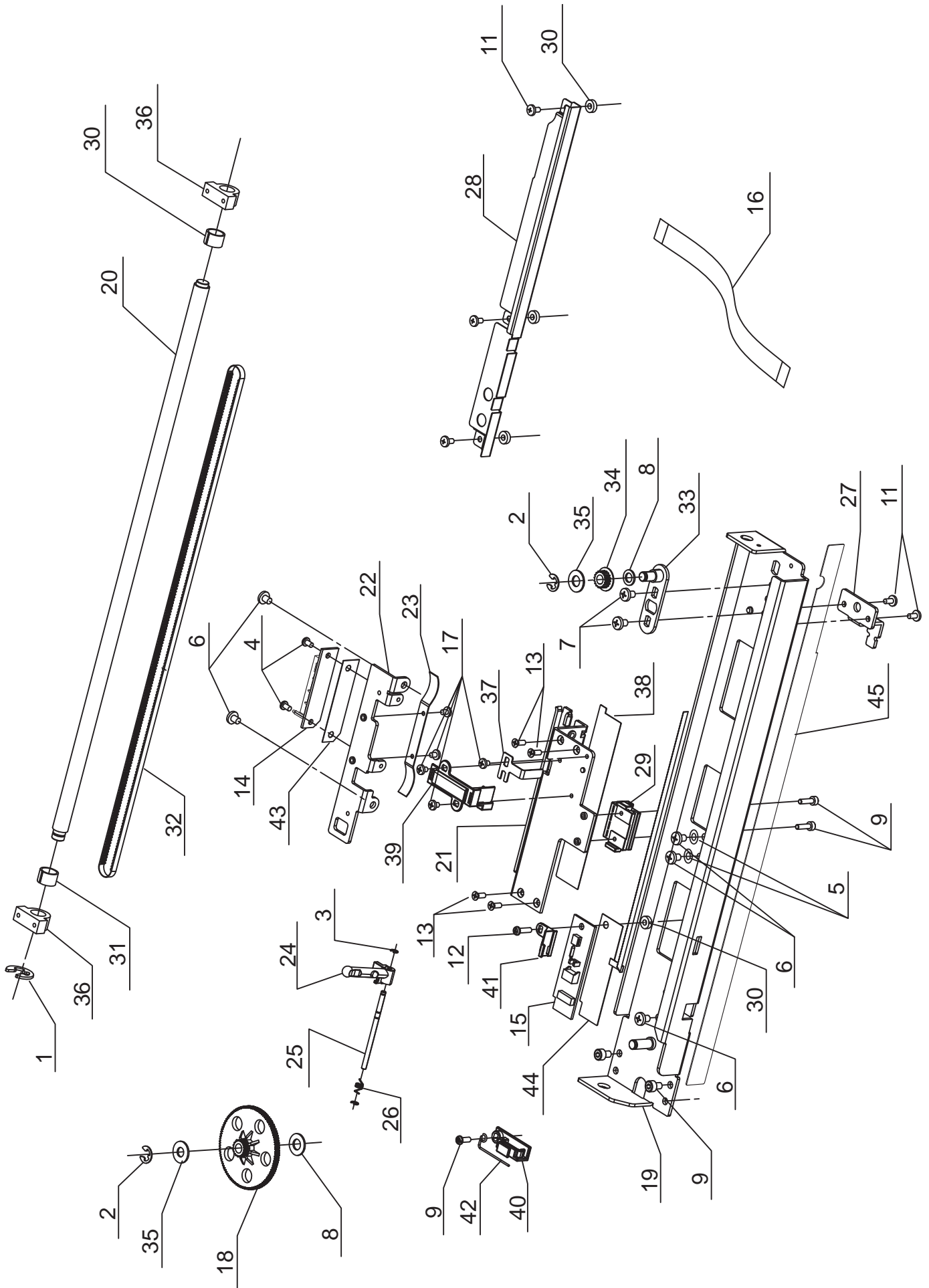
<u>Pos</u>	<u>Part No</u>	<u>Description</u>
1	270 039615	CLIP-ON-WASHER
2	270 061222	M4 PHILIPS SCREW
3	270 065826	TAPPING SCREW
4	416435101	TAPPING SCREW
5	270 083116	CAP
6	270 087766	BLADE
7	416452101	SPRING
8	270 088415	THREADER LEVER
9	416452001	THREADER SHAFT
10	416452201	EXTENSION SPRING
11	416452301	HOLDER TENSION DISC
12	270 088433	WASHER
13	416452401	THREAD HOLDER
14	416452501	THREADER LEVER PLATE
15	416458901	FACE COVER



<u>Pos</u>	<u>Part No</u>	<u>Description</u>
1	270 039213	M3 SCREW
2	270 046293	CS-5 CLIP-ON-WASHER
3	270 047181	TAPPING SCREW
4	270 063736	TAPPING SCREW
5	270 076317	M3 PHILIPS SCREW
6	270 077042	M4 PHILLIPS SCREW
7	270 077044	M3 PHILIPS SCREW
8	270 085318	FERRITE RING
9	416452701	CONNECTING HARNESS
10	416452801	RELEASE LEVER SPRING
11	416459001	CARRIAGE
12	416453001	TOP COVER
13	416453101	DRAWER
14	416454001	RAIL GUIDE
15	416453201	RELEASE LEVER
16	N/A	CARRIAGE COVER LID
17	N/A	DRAWER COVER
18	416453301	FEED DOG DROP PIN
19	416453401	RUBBER FOOT
20	416453501	CARRIAGE HARNESS COVER
21	416453601	CAP
22	416453701	SLIT COVER
23	416453801	FLAP

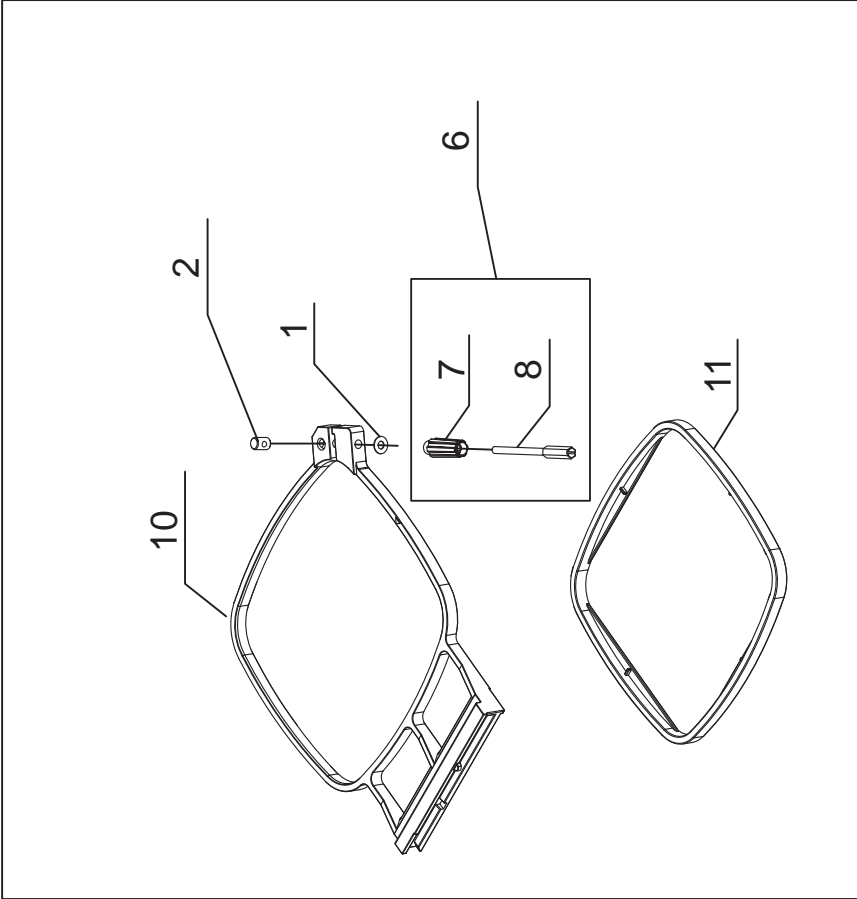


<u>Pos</u>	<u>Part No</u>	<u>Description</u>
1	270 001513	E4 CLIP-ON-WASHER
2	270 008400	E5 CLIP-ON-WASHER
3	416442801	M3 SCREW
4	270 061222	M4 PHILIPS SCREW
5	270 061224	M4 PHILIPS SCREW
6	416454701	WASHER
7	415404701	M3 PHILIPS SCREW
8	270 077041	UNITY FASTENER
9	270 077042	M4 PHILLIPS SCREW
10	270 077044	M3 PHILIPS SCREW
11	270 080110	BOLT
12	270 085072	M3 SCREW
13	416454801	X AXIS MOTOR
14	416454901	X AXIS SENSOR HARNESS
15	416455001	X AXIS FFC CORD
16	416455101	Y AXIS MOTOR
17	416455201	X AXIS MAIN BOARD
18	270 086349	GUIDE ROLLER
19	270 087261	CP BOLT
20	N/A	X BASE
21	N/A	X MOVING PLATE
22	N/A	X AXIS METAL
23	416455301	X AXIS SHAFT
24	N/A	X AXIS RAIL PLATE
25	N/A	X AXIS DOG ADJUSTING PLATE
26	416455401	X AXIS BELT HOLDER
27	N/A	JOINING HARNESS SUPPORT
28	N/A	F CABLE HOLDER
29	416473701	X AXIS BUSH
30	416455501	DRIVING PULLEY
31	416455601	X AXIS ROLLER SUPPORT
32	N/A	INSULATION SHEET
33	N/A	INSULATION SHEET
34	416455701	X AXIS TIMING BELT
35	N/A	X AXIS MOVING PLATE SUPPORT
36	416455801	PULLEY BASE
37	416455901	PULLEY
38	416456001	WASHER

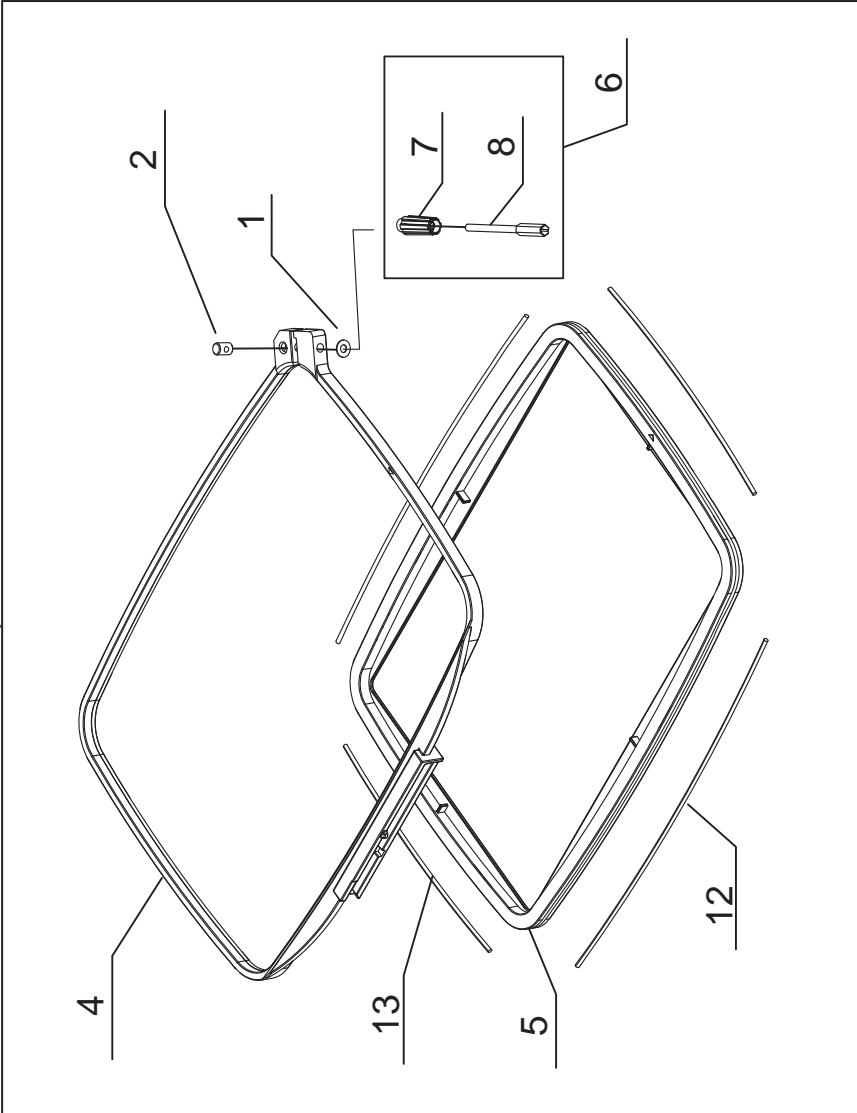


Pos	Part No	Description
1	270 001504	E7 CLIP-ON-WASHER
2	270 008400	E5 CLIP-ON-WASHER
3	270 025436	E2 CLIP-ON-WASHER
4	416442801	M3 SCREW
5	270 058220	WASHER
6	270 061221	M4 PHILIPS SCREW
7	270 061222	M4 PHILIPS SCREW
8	416454701	WASHER
9	270 063796	M3 SCREW
10	270 072367	M4 CP SCREW
11	270 077053	M3 PHILIPS SCREW
12	270 077057	M3 PHILIPS SCREW
13	270 085072	M3 SCREW
14	416454601	SENSOR HARNESS
15	416456101	Y AXIS SENSOR HARNESS
16	416456201	Y AXIS FFC CORD
17	270 087256	M3 SCREW
18	416455501	DRIVING PULLEY
19	N/A	Y AXIS BASE
20	416456301	Y AXIS SHAFT
21	N/A	Y AXIS MOVING PLATE
22	N/A	SWITCH HARNESS SUPPORT
23	416456401	HOOP HOLDER SPRING PLATE
24	416456501	HOOP FIXING LEVER
25	416456601	HOOP FIXING LEVER SHAFT
26	416456701	HOOP FIXING LEVER SPRING
27	N/A	X AXIS RAIL GUIDE SUPPORT
28	N/A	F CABLE GUIDE PLATE
29	N/A	Y AXIS RAIL GUIDE SUPPORT
30	416456801	SPACER
31	416473801	Y AXIS BUSH
32	416456901	Y AXIS TIMING BELT
33	416455801	PULLEY BASE
34	416455901	PULLEY
35	416456001	WASHER
36	N/A	Y AXIS METAL
37	N/A	Y AXIS DOG ADJUSTING PLATE
38	N/A	PROTECTION STICKER
39	N/A	F CABLE HOLDER A
40	N/A	F CABLE HOLDER B
41	N/A	F CABLE HOLDER C
42	N/A	F CABLE GUIDE
43	N/A	INSULATION SHEET
44	N/A	INSULATION SHEET
45	N/A	Y AXIS BASE SHEET

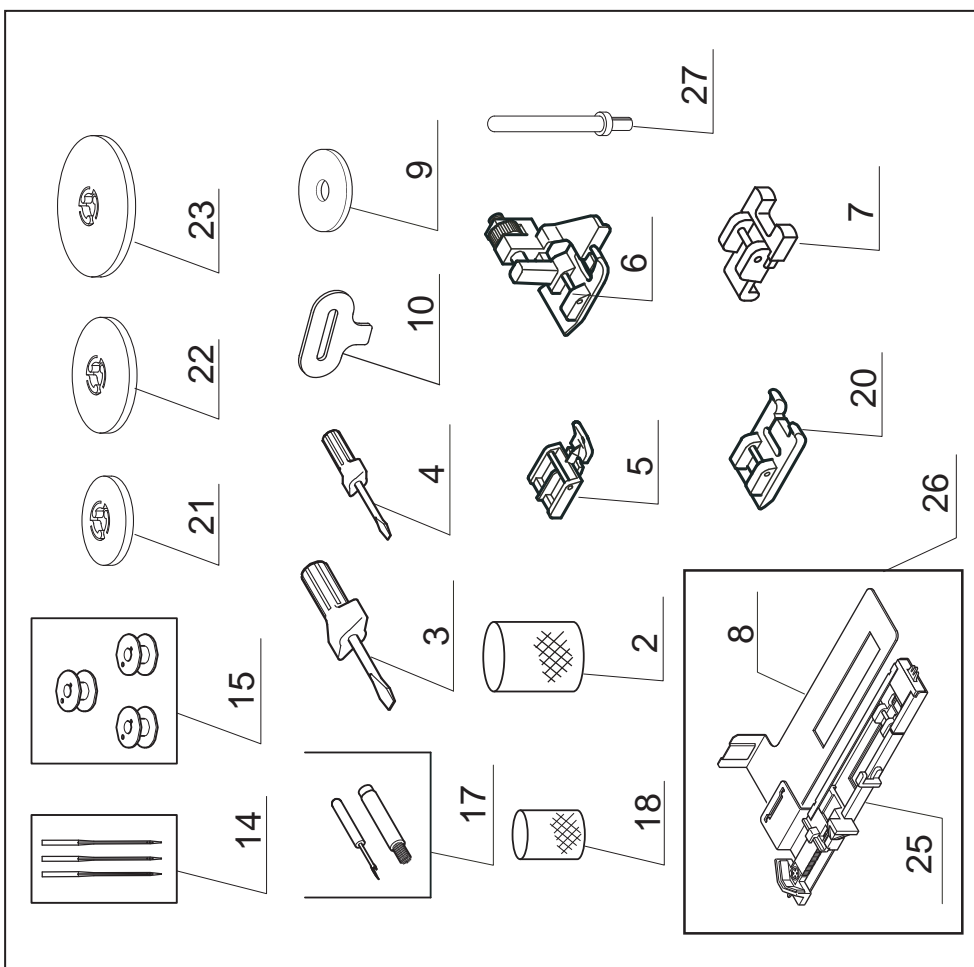
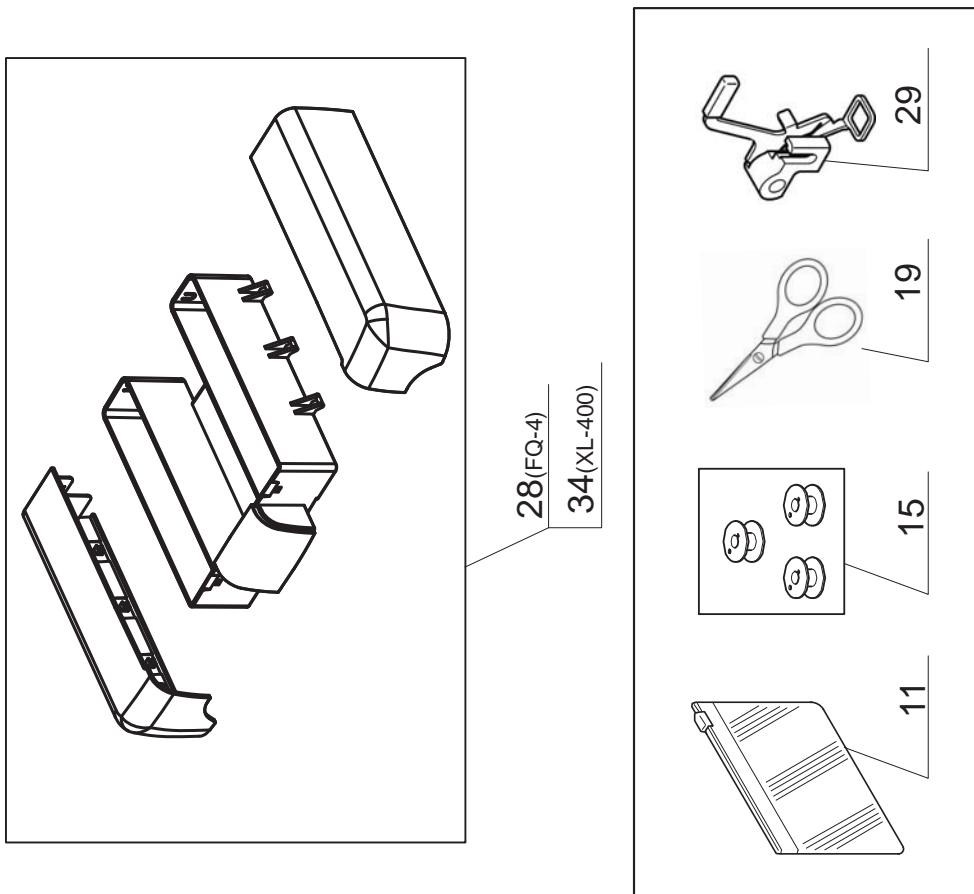
9



3



<u>Pos</u>	<u>Part No</u>	<u>Description</u>
1	N/A	WASHER
2	416453901	M4 NUT
3	416454101	LARGE HOOP (SET)
4	416454101	OUTER FRAME (L)
5	416454101	INNER FRAME (L)
6	416454201	HOOP SECURING SCREW (SET)
7	416454201	HOOP SECURING SCREW COVER
8	416454201	HOOP SECURING SCREW
9	416454301	SMALL HOOP (SET)
10	416454301	OUTER FRAME (S)
11	416454301	INNER FRAME (S)
12	416454401	RUBBER A
13	416454501	RUBBER B



<u>Pos</u>	<u>Part No</u>	<u>Description</u>
1	416436901	USB CABLE
2	416436801	THREAD SPOOL NET (LONG)
3	270 065811	LARGE SCREW DRIVER
4	270 074793	SMALL SCREW DRIVER
5	416437001	ZIPPER FOOT
6	416437101	BLIND STITCH FOOT
7	270 076251	BUTTON SEWING FOOT
8	270 076630	BUTTONHOLE PLATE
9	270 077040	SPOOL PIN DISC
10	270 079455	LARGE SCREW DRIVER
11	270 080120	ACCESSORY VINYL BAG
12	416436101	FOOT CONTROL
13	416459101	INSTRUCCTION BOOK /ENG (for FQ-4)
14		NEEDLE SET
15	416436301	BOBBIN
16	270 085339	POWER CORD (230V)
17	416436401	BUTTONHOLE OPENER / BRUSH
18	270 086933	THREAD SPOOL NET (SHORT)
19	270 087003	SCISSORS
20	416437201	SATIN FOOT
21	270 087287	SPOOL PIN CAP (MINI)
22	270 087289	SPOOL PIN CAP (SMALL)
23	270 087290	SPOOL PIN CAP (LARGE)
24	270 087534	POWER CORD (120V)
25	270 087696	BUTTONHOLE FOOT
26	270 088100	BUTTONHOLE FOOT
27	270 088366	SPOOL PIN
28	416436501	ACCESSORY BOX (for FQ-4)
29	416436701	EMBROIDERY PRESSER FOOT
30	416437301	SOFTWARE CD (for FQ-4)
31	416437401	INSTRUCCTION BOOK (E/F/S) (forXL-400)
32	416437501	SOFTWARE CD (for XL-400)
33	416437601	INSTRUCCTION CD (for XL-400)
34	416437701	ACCESSORY BOX (for XL-400)