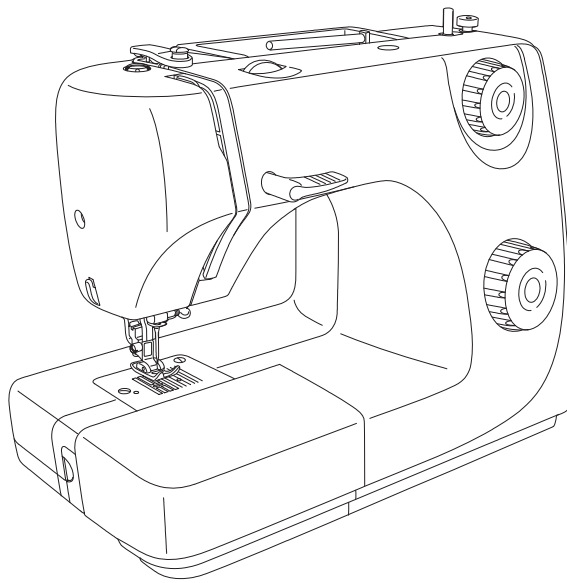




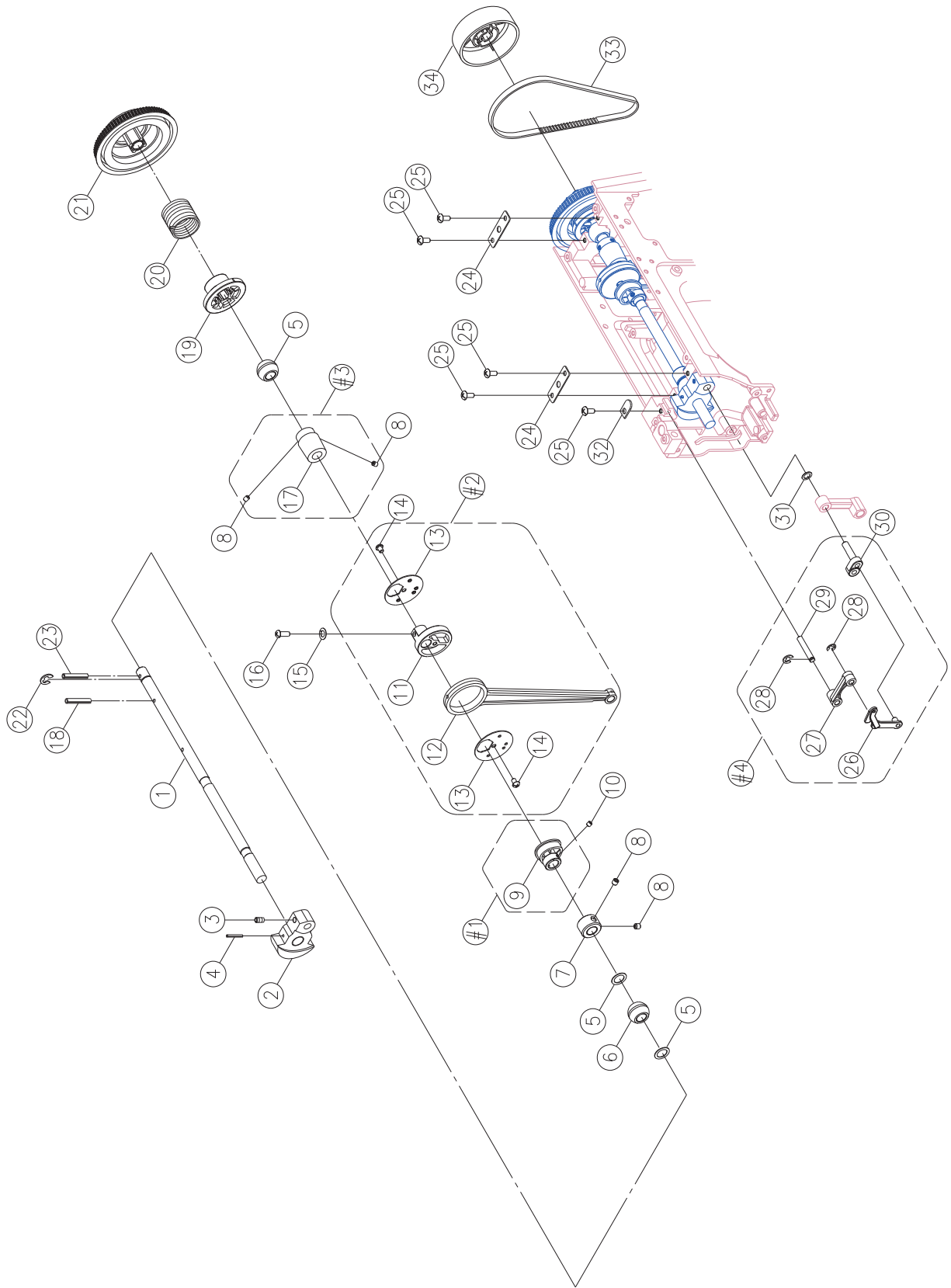
SINGER®

8280

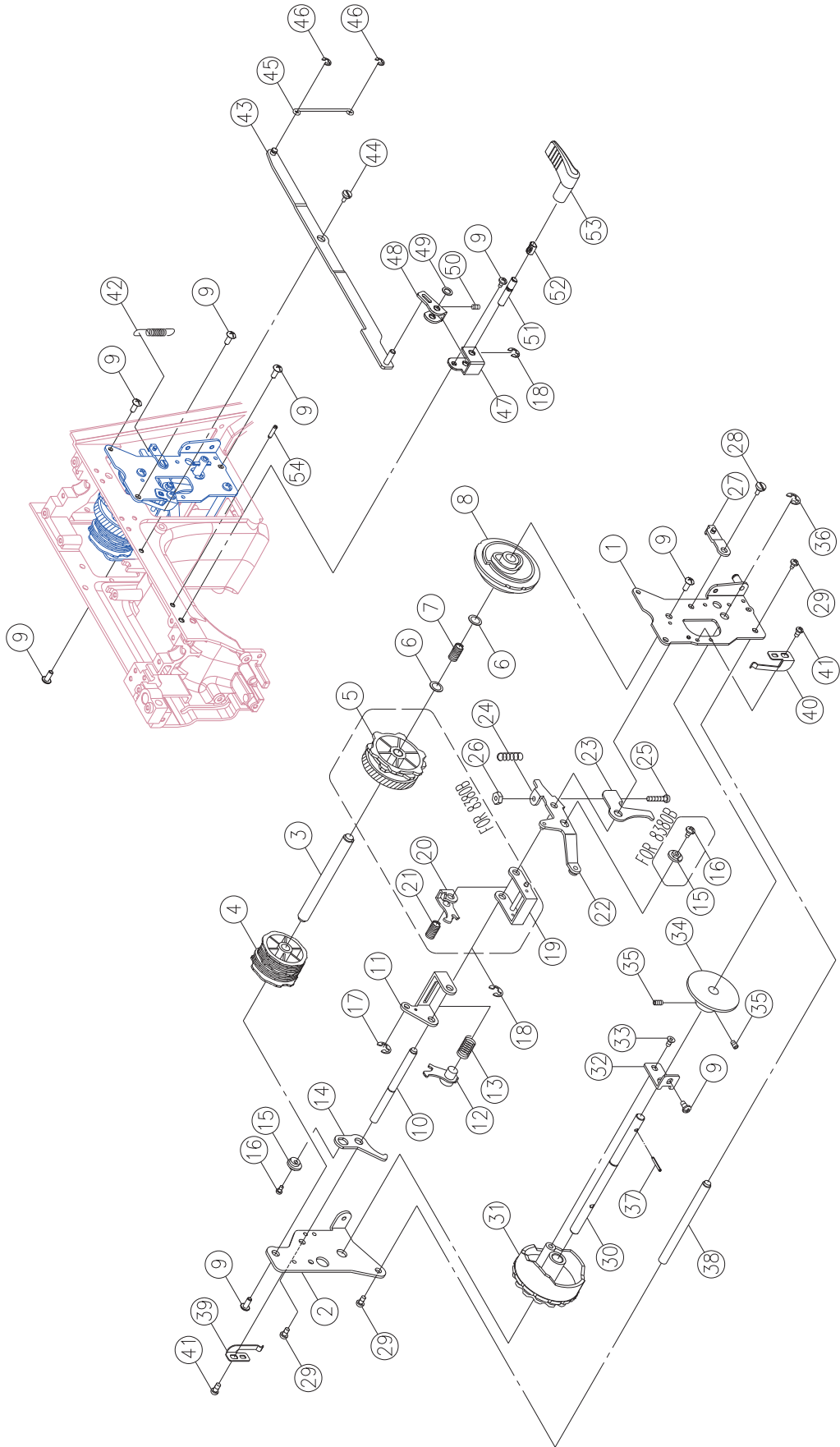


**Liste de pièces
Lista de Piezas
Parts List**

A



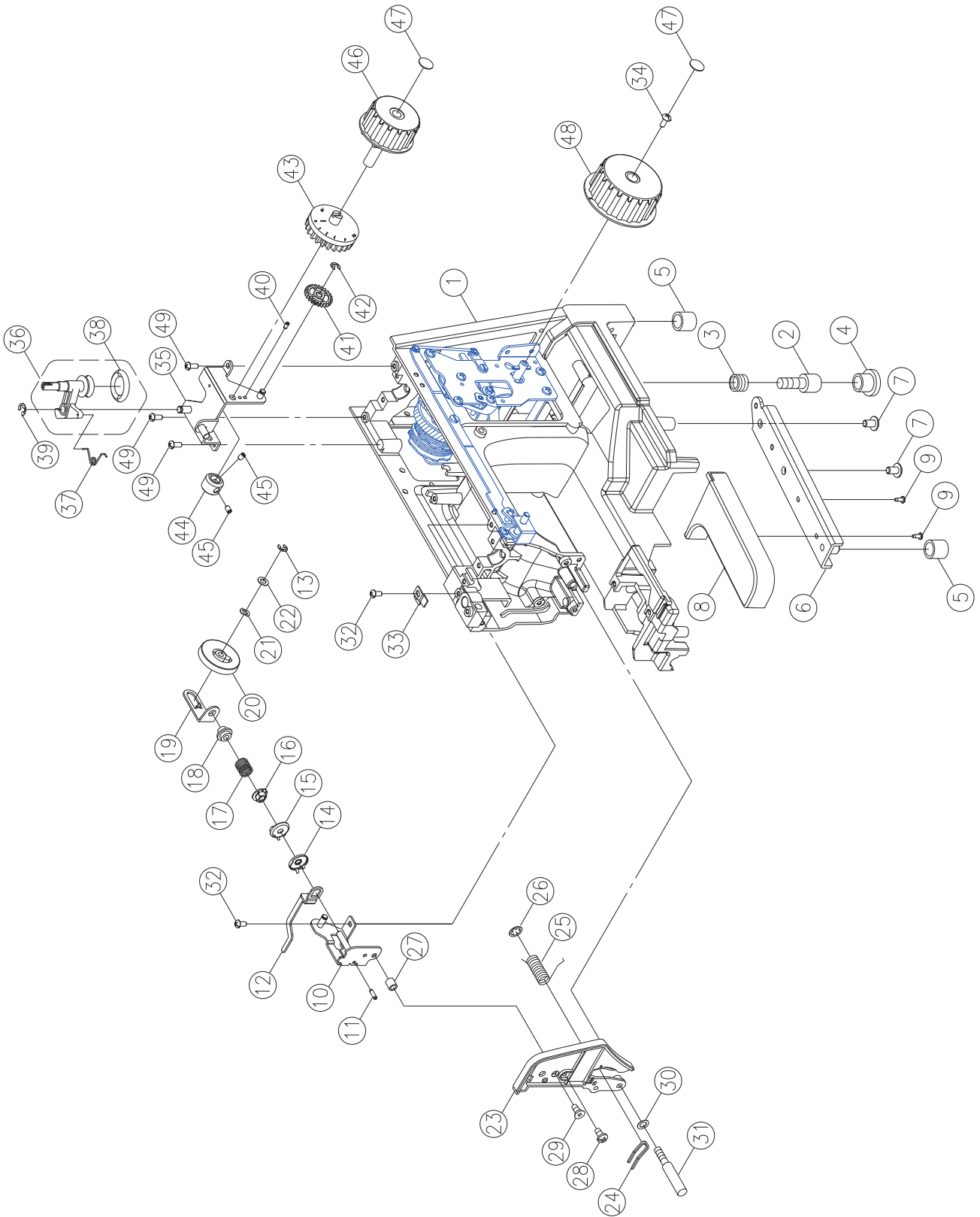
Pos	Part No.	Description
1		ARM SHAFT
2	270 V61473000	ARM SHAFT BALANCE
3	416122101	SET SCREW(M4×6 C)
4	270 003043524	ARM SHAFT BALANCE PIN (ϕ3.5×24)
5	270 004400080	ENDURE ATTRITION WASHER (10.2×15×0.5)
6	416156301	ARM SHAFT BUSING
7		ARM SHAFT COLLAR
8	416121001	SET SCREW(M4×5 C)
9	270 G4A0533000	FEED CAM
10	416122401	SET SCREW(M4×4 C)
11	416604601	CRANK CONNECTING ROD CAM
12	416604601	CRANK CONNECTING ROD
13	416604601	CRANK CONNECTING ROD COVER
14	416604601	SET SCREW (M4X4 B)
15	270 004600026	WASHER(4.2×7.2×1.2)
16	270 004107063	SET SCREW(11/64×40×12)
17	270 V880423000	ARM SHAFT WORM
18	270 003043028	SPRING PIN (ϕ3×28)
19	416307201	ARM SHAFT COLLAR
20	270 D5A0573003	ARM SHAFT CLUTCH ANNULUS SPRING
21	270 D5A0563000	ARM SHAFT DRIVER BELT PULLEY
22	416542901	E-RING (ETW-8)
23	270 003043030	SPRING PIN (ϕ3×30)
24	416161701	ARM SHAFT BUSHING HOLDER PLATE
25	416121501	SET SCREW(M4×8 A)
26	270 E1A2513001	THREAD TAKE UP LEVER
27	416157901	THREAD TAKE UP LEVER SUPPORTER
28	416116101	E-RING(ETW-4)
29	270 V60223003	THREAD TAKE UP LEVER SUPPORTER SHAFT
30	416158001	ARM SHAFT BALANCE PIN
31	270 0044000020	ENDURE ATTRITION WASHER (6.2×12×0.25)
32	416152201	SET WASHER
33	416524801	MOTOR DRIVE BELT (156XXL)
34		HAND WHEEL
#1	270 G4A0535000	FEED CAM COMPLETE
#2	416604601	CRANK CONNECTING ROD COMPLETE
#3	270 V880424000	ARM SHAFT WORM COMPLETE
#4	270 E1A2534000	THREAD TAKE UP LEVER COMPLETE



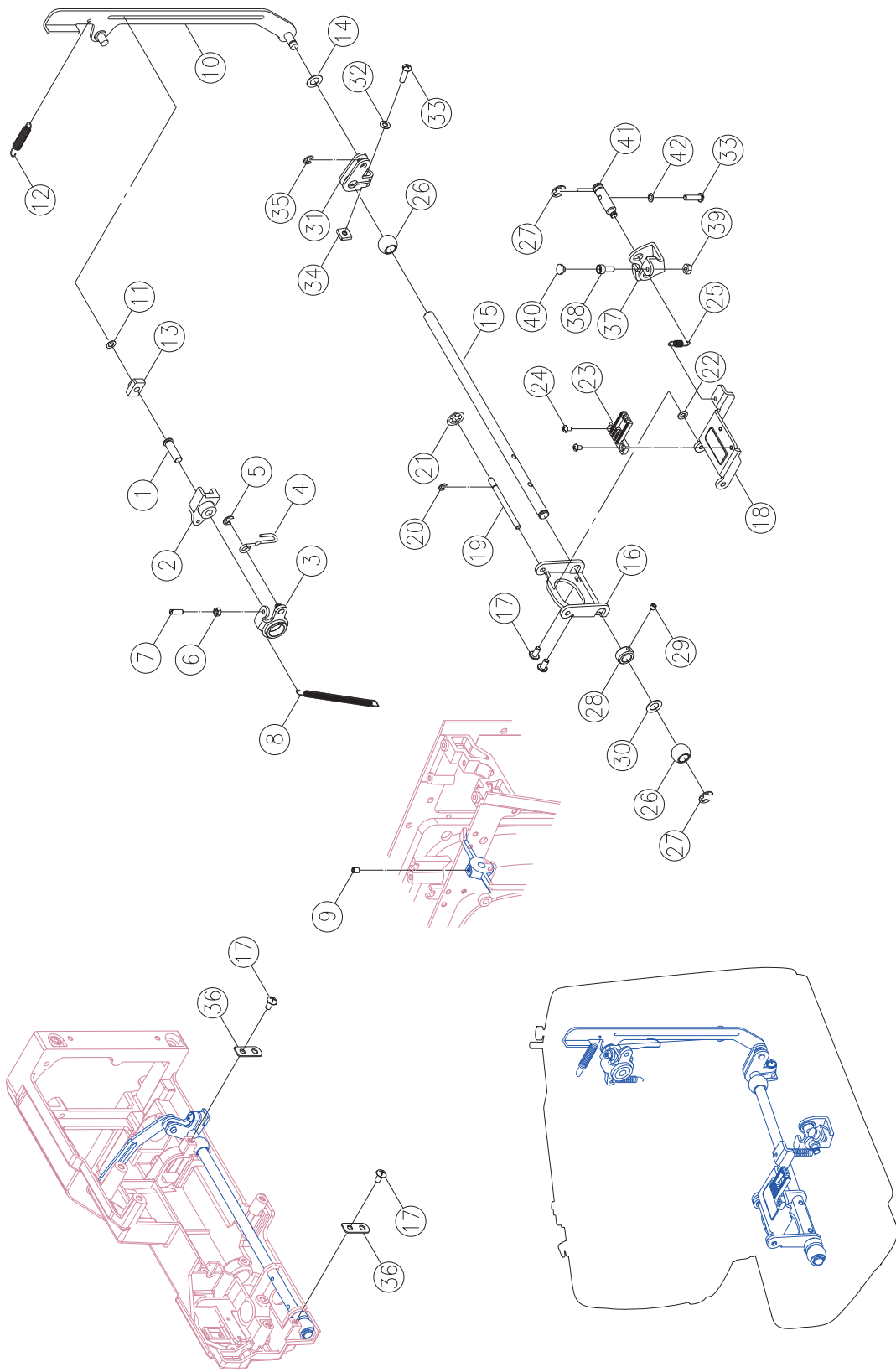
Pos	Part No.	Description
1	270 V6E0363003	PATTERN CAM CONTACT PLATE (FRONT)
2	270 V6E0353003	PATTERN CAM CONTACT PLATE (BACK)
3	270 V60643003	PATTERN CAM SHAFT
4	270 V90023000	PATTERN CAM
5		
6	270 004300823	WASHER (8.1×16×0.2)
7	270 V11603003	PATTERN CAM SHAFT SPRING
8	270 V60683000	STITCH LENGTH CAM
9	416121501	SET SCREW (M4×8 A)
10	270 V60693000	ZIGZAG CAM CONTACT SUPPORTER SHAFT
11	270 V60703008	ZIGZAG CAM CONTACT SUPPORTER
12	270 V60713003	ZIGZAG CAM CONTACT
13	270 V10693003	ZIGZAG CAM CONTACT SPRING
14	270 V60723003	ZIGZAG REGULATOR PLATE
15	270 V60733000	ZIGZAG REGULATOR NUT
16	270 004230316	SET SCREW (M3×10 B)
17	416116101	E-RING (ETW-4)
18	416116301	E-RING (ETW-5)
19		
20		
21		
22	270 V880375000	FEED REGULATOR CRANK COMPLETE
23	270 V60803003	BH REGULATOR PLATE
24	270 V60813003	BH SPRING
25	270 004240706	SET SCREW
26	416126801	NUT (ALN-4)
27	416119201	SET SCREW (M3×6 A)
28	270 V610063003	REVERSE PLATE
29	270 004230583	REVERSE PLATE SCREW
30	270 V880303003	PATTERN SELECTOR CAM SHAFT
31	270 V810083000	PATTERN SELECTOR CAM
32	270 V60853003	PATTERN SELECTOR CAM PLATE
33	270 004240166	SET SCREW (M4×8 A)
34	270 V60863000	BH PATTERN SELECTOR CAM
35	416122401	SET SCREW (M4×4 C)
36	270 003043016	SPRING PIN (Φ3×16×0.6)
37	416116401	E-RING (ETW-6)
38	270 V60823003	PATTERN CAM CONTACT SUPPORTER SHAFT
39	270 V60873003	PATTERN PLATE
40	270 V60883003	STITCH LENGTH PLATE
41	416121201	SET SCREW (M4×6 B)
42	416155001	SPRING
43	270 V880283006	REVERSE LEVER
44	270 004240883	REVERSE LEVER SET SCREW (M4)
45	270 V610093003	REVERSE ROD
46	416116001	E-RING (ETW-3)
47	270 V880273006	REVERSE KNOB SHAFT MOUNTING PLATE
48	270 V880263006	REVERSE CONNECTING PLATE
49	270 004400260	ENDURE ATTRITION WASHER (6.2×14×0.13)
50	416122101	SET SCREW (M4×6 C)
51	270 V880253006	REVERSE KNOB SHAFT
52	416630801	SELECTOR DIAL SPRING
53	270 V880133210	REVERSE KNOB
54		SPRING PIN (Φ4×8×0.8)

Pos	Part No.	Description
1	270 V61753002	NEEDLE BAR SUPPORTER FOR AUTO THREADER
270	V61973002	NEEDLE BAR SUPPORTER
2	270 R12723003	NEEDLE BAR SUPPORTER PIN FOR AUTO THREADER
270	N80223003	NEEDLE BAR SUPPORTER PIN
3	416116301	E-RING (ETW-5)
4	416173601	NEEDLE BAR
5	416245301	NEEDLE CLAMP COMPLETE
6	416150801	NEEDLE BAR BRACKET (1)
7	416150801	NEEDLE BAR BRACKET (2)
8	416122401	SET SCREW(M4×4 C)
9	416245501	NEEDLE BAR CRANK ROD
10	270 004106202	SET SCREW(9/64×40×6)
11	416154901	AUTO THREADER STOPPER
12		SET SCREW (M3×8 A) FOR AUTO THREADER
13	270 V61843002	AUTO THREADER SHAFT FOR AUTO THREADER
14		SPRING PIN (□2×6) FOR AUTO THREADER
15	416117201	SPRING PIN (□2×14) FOR AUTO THREADER
16	416157401	AUTO THREADER SHAFT SPRING FOR AUTO THREADER
17	270 R10083000	AUTO THREADER LERER FOR AUTO THREADER
18	416145801	AUTO THREADER FOR AUTO THREADER
19	416155001	AUTO THREADER LERER SPRING FOR AUTO THREADER
20	416121001	SET SCREW (M4×5 C)
21	416152701	NEEDLE BAR SUPPORTER SPRING
22		NEEDLE
23	270 V880153000	PRESSER BAR LIFTER LEVER
24	416162101	PRESSER BAR LIFTER LEVER SCREW WASHER
25	416121101	SET SCREW (M4×10 B)
26	416173401	PRESSER BAR
27	416525901	TENSION LEVER LIFTER
28	270 H10723003	TENSION LEVER LIFTER SPRING
29	416151501	PRESSER BAR BRACKET
30	416123801	SET SCREW(M6×5 C)
31	416173501	PRESSER BAR SPRING
32	416128201	SHANK COMPLETE
33	416118401	SHANK SCREW (9/64×40×8) SHANK SCREW (9/64×40×9.5) FOR FINGER PROTECTOR
34	416128401	ALL PURPOSE FOOT(J)
35	270 V620163210	PRESSER BAR REGULATING SCREW FOR EXPOSURE PRESSER BAR REGULATING SCREW COMPLETE FOR KOREA PRESSER BAR REGULATING SCREW FOR NON-EXPOSURE
36	270 V70023003	NEEDLE BAR DRIVING ROD
37	416408701	NEEDLE BAR DRIVING ROD PIN
38	270 V70103003	ZIGZAG CONTACT SUPPORTER SHAFT
39	270 V70093003	ZIGZAG REGULATOR CRANK
40	270 V61043003	ROD
41	416116101	E-RING (ETW-4)
42	416152201	CARRYING HANDLE PLATE
43	416121501	SET SCREW(M4×8 A)
44		FINGER PROTECTOR FOR ITALY

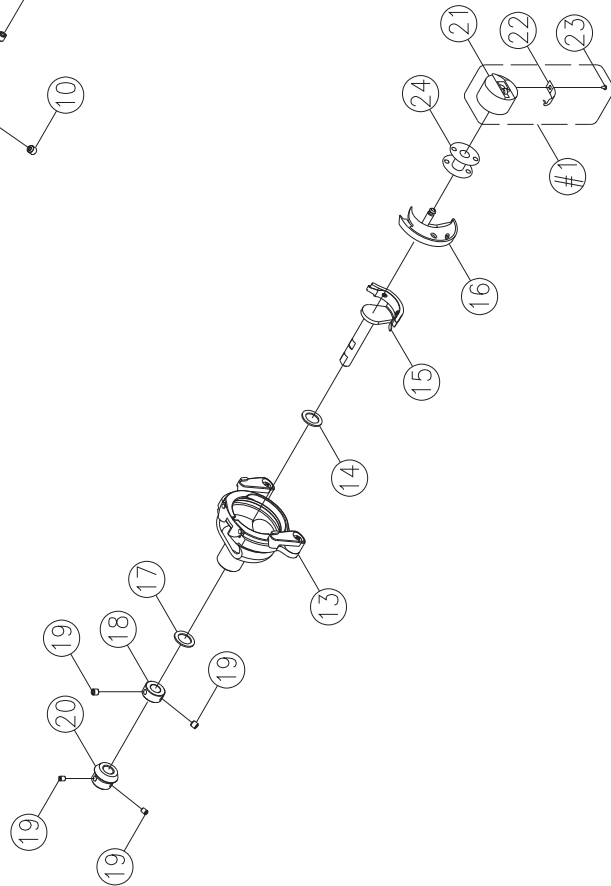
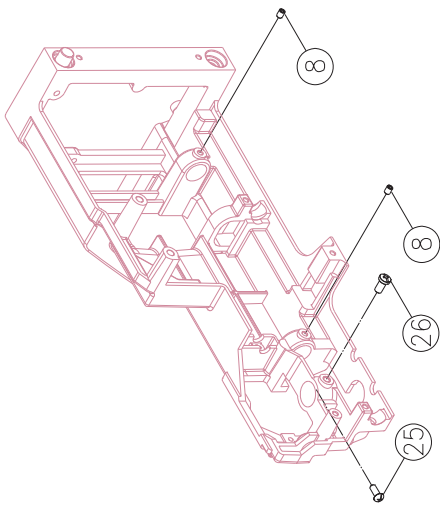
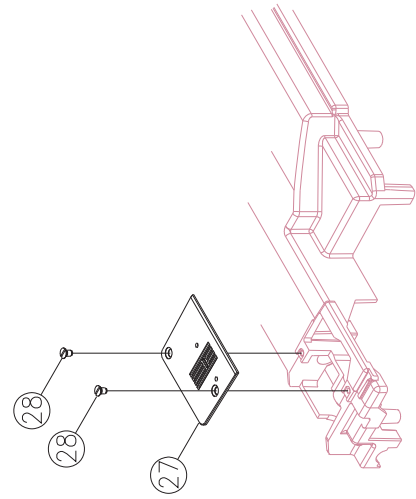
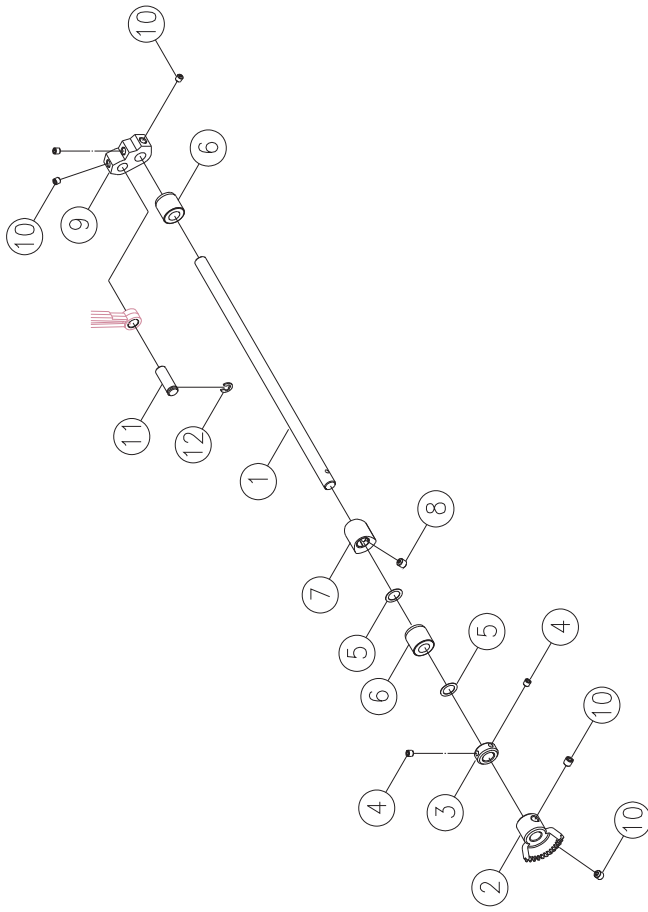
D



Pos	Part No.	Description
1		ARM
2	416154501	BASE PLATE ADJUSTMENT SCREW
3	416154401	BASE PLATE ADJUSTMENT SCREW SPRING
4	416147001	ADJUSTMENT FREE ARM BASE CUSHION RUBBER
5	270 K6A0063000	FREE ARM BASE CUSHION RUBBER
6	270 V6E1024000	FREE ARM FOOT
7	416185701	SET SCREW (M6X10)
8	270 V6E1143210	FREE ARM FOOT BASE
9	416184801	SET SCREW (M3x8)
10	416526601	DIAL TENSION SUPPORTER PLATE
11	416117501	SPRING PIN (ϕ 3x10)
12	416526701	DIAL TENSION WAFT PLATE
13	416116101	E-RING (ETW-4)
14	416153601	DIAL TENSION DISC (1)
15	416146301	DIAL TENSION DISC
16	416526801	DIAL TENSION SPRING REGULATOR
17	416155901	DIAL TENSION SPRING
18	416153801	DIAL TENSION REGULATOR
19	270 V60273006	DIAL TENSION SPRING PLATE
20	270 V887793210	DIAL TENSION KNOB
21	416126001	WASHER (WW-5)
22	416124501	WASHER (5.2x10x0.5)
23	270 V886283210	DIAL TENSION SUPPORTER PLATE COVER
24	416171301	THREAD GUIDE
25	270 V60303000	THREAD GUIDE SPRING
26	416116701	CS-RING (CSTW-5)
27	270 G4A1623001	DIAL TENSION GUIDE SPRING TUBE
28	416527101	SET SCREW (M4x20B)
29	416121901	SET SCREW (M4x6 D)
30	416124101	WASHER (4.2x8x0.8)
31	270 004240982	SET SCREW (M4x14)
32	416121201	SET SCREW (M4x6 B)
33	416527201	TENSION LEVER REGULATING PLATE
34	416121501	SET SCREW (M4x8 A)
35	416527201	BOBBIN WINDER FRAME
36	270 K6A0555000	BOBBIN WINDER CRANK COMPLETE
37	270 K6A0573003	BOBBIN WINDER CRANK SPRING
38	416149201	BOBBIN WINDER RUBBER PULLEY
39	416116301	E-RING (ETW-5)
40	270 003043008	SPRING PIN (ϕ 3x8)
41	270 V630193000	STITCH LENGTH GEAR
42	270 003010046	E-RING (ETW-4)
43	270 V640123000	FEED REGULATOR CAM
44	416566801	COLLAR
45	416122401	SET SCREW (M4x4 C)
46	270 V889293210	STITCH LENGTH DIAL COMPLETE
47	270 V61503210	PLATE (1)
48	270 V888293210	PATTERN SELECTOR DIAL
49	416121301	SET SCREW (M4x8 B)

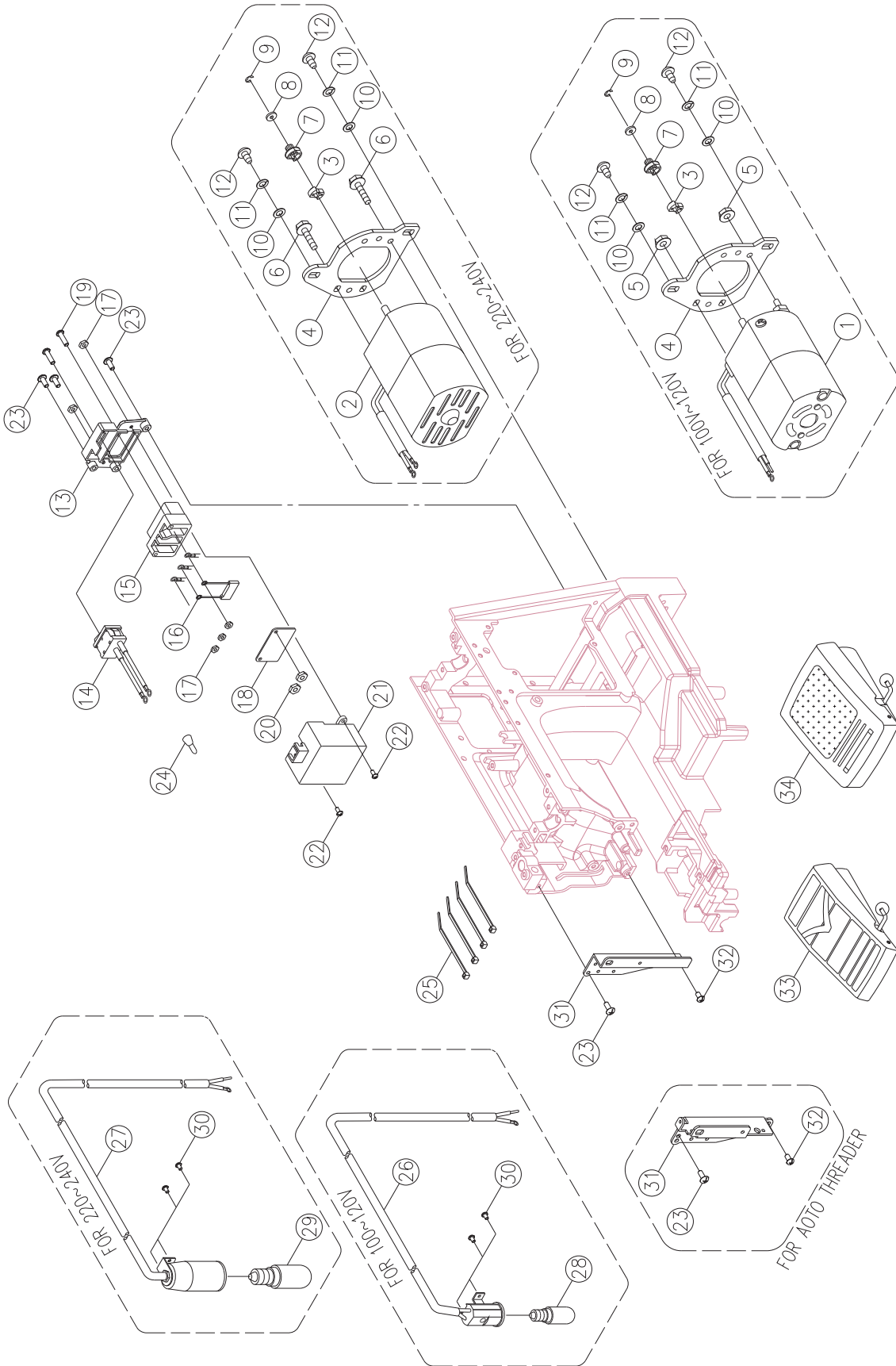


Pos	Part No.	Description
1	270 V60443000	FEED REGULATING SHAFT
2	270 V60433000	FEED REGULATING
3	270 V60393003	FEED REGULATING PLATE
4	270 V60423003	FEED ROD
5	270 003010046	E-RING (ETW-4)
6	416126301	NUT (9/64×40 T=3)
7	270 004106053	SET SCREW (9/64×40×11)
8	270 V70063003	FEED REGULATING SPRING
9	416122101	SET SCREW (M4×6 C)
10	270 V60453003	FORK ROD
11	270 004400180	ENDURE ATTRITION WASHER (5.7×10.2×0.5)
12	270 V60463003	FORK ROD SPRING
13	270 V11533000	FEED REGULATING BLOCK
14	270 004400450	ENDURE ATTRITION WASHER (5.5×12×0.25)
15	270 V60483000	FEED ROCK SHAFT
16	270 V60493003	FEET ROCK FRAME
17	416121501	SET SCREW (M4×8 A)
18	270 V60503003	FEED DOG FRAME
19	270 V60513003	FEED DOG FRAME SHAFT
20	416116001	E-RING (ETW-3)
21	270 003090043	NUT (SPN-4)
22	416124101	WASHER (4.2×8×0.8)
23	416171601	FEET DOG
24	270 004230056	SET SCREW (M3×5 B)
25	270 V60533003	FEED DOG FRAME SPRING
26	270 V60343000	FEED ROCK BUSHING
27	416116401	E-RING (ETW-6)
28	270 G2D0335000	PATTERN CAM SHAFT COLLAR
29	416122401	SET SCREW (M4×4 C)
30	270 004400410	ENDURE ATTRITION WASHER (8.2×12×0.25)
31	270 V60553003	FEED ROCK CRANK
32	270 004300093	WASHER (4×8×0.5)
33	416121701	SET SCREW (M4×15 B)
34	270 004840073	FEED ROCK CRANK NUT (M4)
35	416116101	E-RING (ETW-4)
36	270 V60563003	BUSHING HOLDER PLATE
37	270 V60583003	FEED LIFTING ROCK CRANK
38	270 004250323	SEW SCREW
39	270 004840022	NUT (M4 T=3)
40	270 K81243000	SEW SCREW KNOB
41	270 V60593003	FEED LIFTING ROCK SHAFT
42	270 004600026	WASHER (4.2×7.2×1.2)

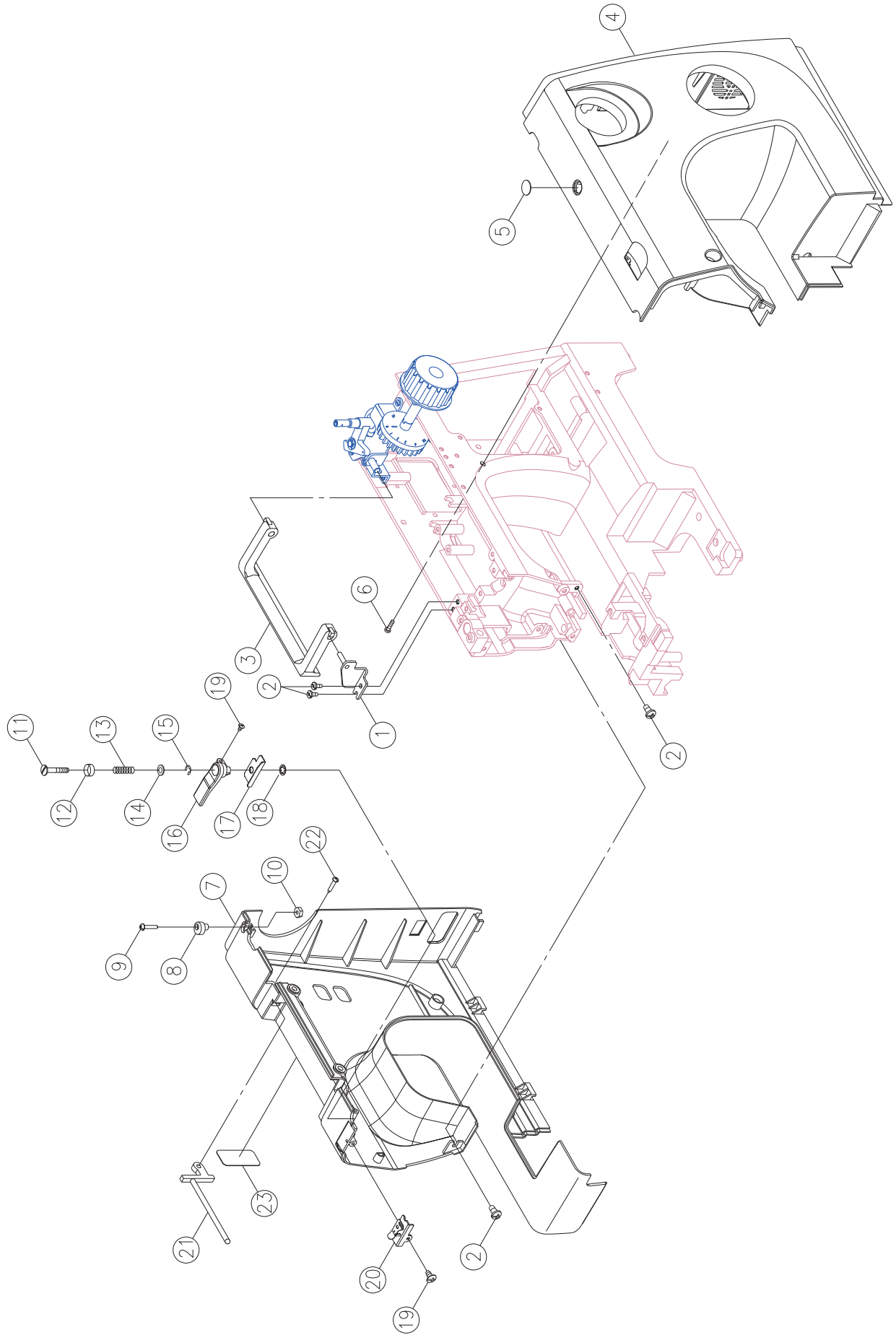


Pos	Part No.	Description
1	416520601	LOWER SHAFT
2	270 G4A1573000	LOWER SHAFT GEAR
3	416520801	LOWER SHAFT COLLAR
4	416122401	SET SCREW (M4X4C)
5	270 004400410	ENDURE ATTRITION WASHER (8.2X12X0.25)
6	416141701	FEED ROCK BUSHING
7	270 V6E1123000	FEED LIFTING ROCK CAM
8	416122101	SET SCREW (M4X6C)
9	270 V60363000	CRANK CONNECTING ROD CRANK
10	270 004250203	SET SCREW (M5X5C)
11	270 V10833003	CRANK CONNECTING ROD CRANK PIN
12	416116301	E-RING (ETW-5)
13	270 V10995000	OPEN SHUTTLE RACE COMPLETE
14	270 004400800	ENDURE ATTRITION WASHER (7.6×12×0.13)
15	270 K81125000	SHUTTLE DRIVER COMPLETE
16	416392101	SHUTTLE HOOK (4.6MM)
17	270 004400210	ENDURE ATTRITION WASHER (8.2×16×0.5)
18	270 G2D0325000	SHUTTLE DRIVER SHAFT COLLAR
19	270 004107293	SET SCREW(11/64×40×4)
20	270 G4A1583000	SHUTTLE DRIVER SHAFT GEAR
21	416153501	BOBBIN CASE
22	270 H13803001	BOBBIN CASE SPRING
23	416152601	BOBBIN CASE SPRING SET SCREW
24	270 006084009	BOBBIN
25	416121101	SET SCREW (M4X10B)
26	270 004250151	SET SCREW (M5X10B)
27	416171501	NEEDLE PLATE
28	416122901	NEEDLE PLATE COMPLETE SET SCREW
#1	416153401	BOBBIN CASE COMPLETE
#2	416245801	LOWER SHAFT GEAR COMPLETE

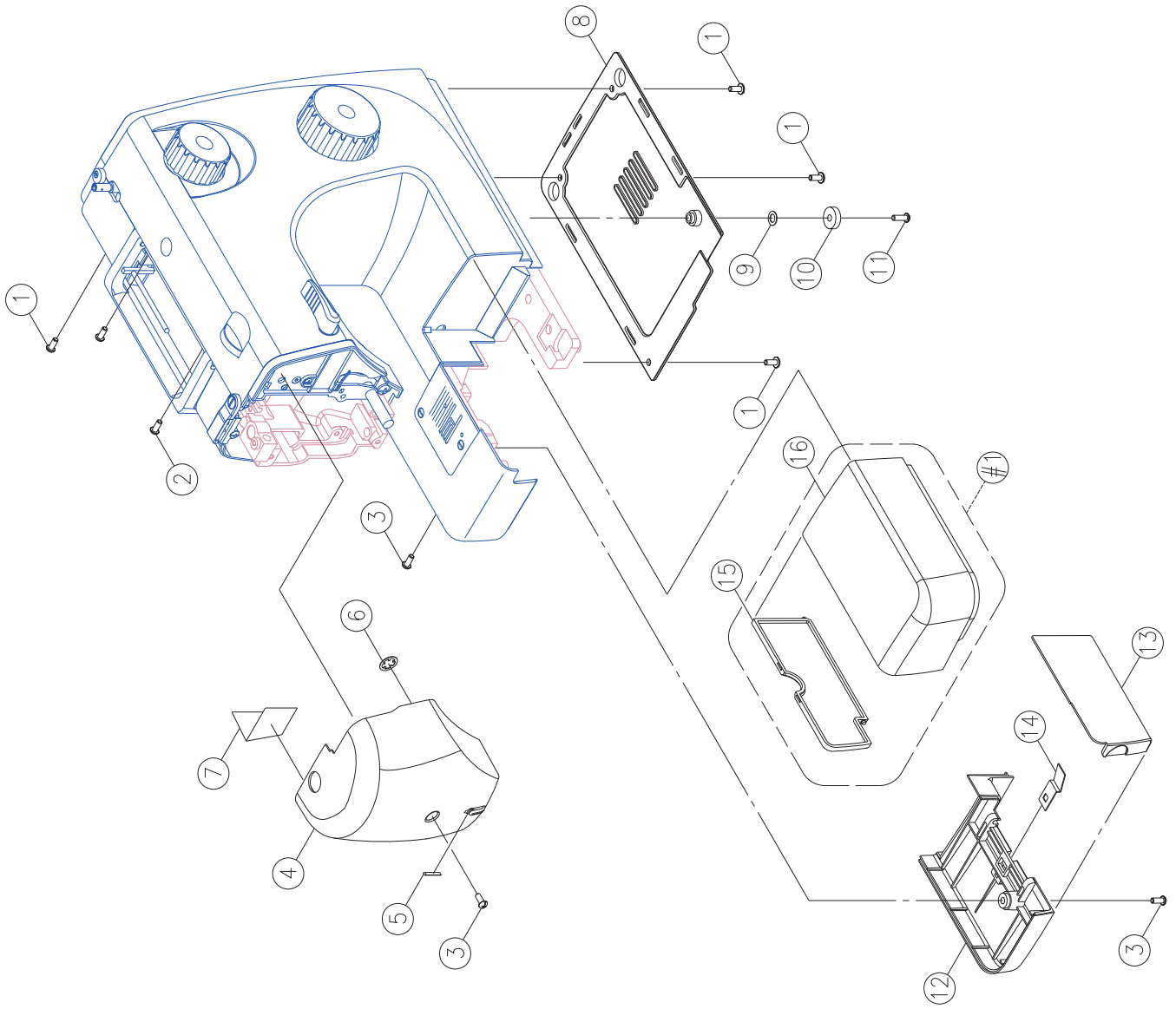
G



Pos	Part No.	Description
1	270 001351109	MOTOR COMPLETE (HF(S)-07150)FOR 120V/US
2	270 001V88100	MOTOR COMPLETE (HF(S)-07250)FOR 220V /KOREA
	416430001	MOTOR COMPLETE (HF(S)-07250)FOR 230V /EU.
	416528201	MOTOR COMPLETE (HF(S)-07250)FOR 230V / INDIA
	416528101	MOTOR COMPLETE (HF(S)-07250)FOR 230V / DUBAI
	270 001V881003	MOTOR COMPLETE (HF(S)-07250)FOR 240V/U.K
	270 001V881005	MOTOR COMPLETE (HF(S)-07250)FOR 240V /SAA
3	416129401	CUSHION RUBBER
4	270 002397025	MOTOR BRACKET
5	270 004840131	NUT (M4 T=5.5) FOR 100~120V
6	416521501	SET SCREW (M4×10.2) FOR 220~240V
7	270 002396029	BELT WHEEL
8	416114001	MOTOR FEED REGULATOR COLLAR
9	416116001	E-RING (ETW-3)
10	416124301	WASHER (5.4×10×0.9)
11	416126201	SPRING WASHER (5.2×9×1)
12	416224801	SET SCREW (M5×12)
13	270 002252129	RECEPTACLE HOLDER
14	416115001	SWITCH ASS 'Y
15	416184701	RECEPTACLE (Z11)
16		CONDENSER FOR 240V /U.K
17	270 004840120	NUT (M3×4)
18	416183601	CONCERT INSULATION PLATE
19	416184901	SET SCREW (M3X20)
20	416302901	NUT (M3 T=2.3)
21	270 002248129	RECEPTACLE HOLDER COVER
22	416119701	SET SCREW (M3X8 B)
23	416121501	SET SCREW (M4X8 A)
24	416133001	END TERMED
25	416113901	CORD CLIP
26	416428401	LAMP LINE FOR 100V~120V
27	416428501	LAMP LINE FOR 220V-240V
28	416126901	LAMP (10W) FOR 120V
29	416127001	LAMP (15W E-12) FOR 230V.240V
30	270 004230056	SET SCREW (M3×5 B)
31	270 V6E0373006	LAMP BRACKET
32	416121201	SET SCREW (M4X6 B)
33	416183301	FOOT CONTROLLER (KD-1902) FOR 100~120V / U.S.A
	270 002V881004	FOOT CONTROLLER (KD-2902) FOR 220V / KOREA
34	416183101	FOOT CONTROLLER (KD-2902) FOR 230V / EU.
	270 002G4B1001	FOOT CONTROLLER (KD-2902) FOR 230V / ARGENTINA
	416523901	FOOT CONTROLLER (KD-2902) FOR 230V / DUBAI
	270 002V881002	FOOT CONTROLLER (KD-2902) FOR 240V / U.K
	416183701	FOOT CONTROLLER (KD-2902) FOR 240V / SAA

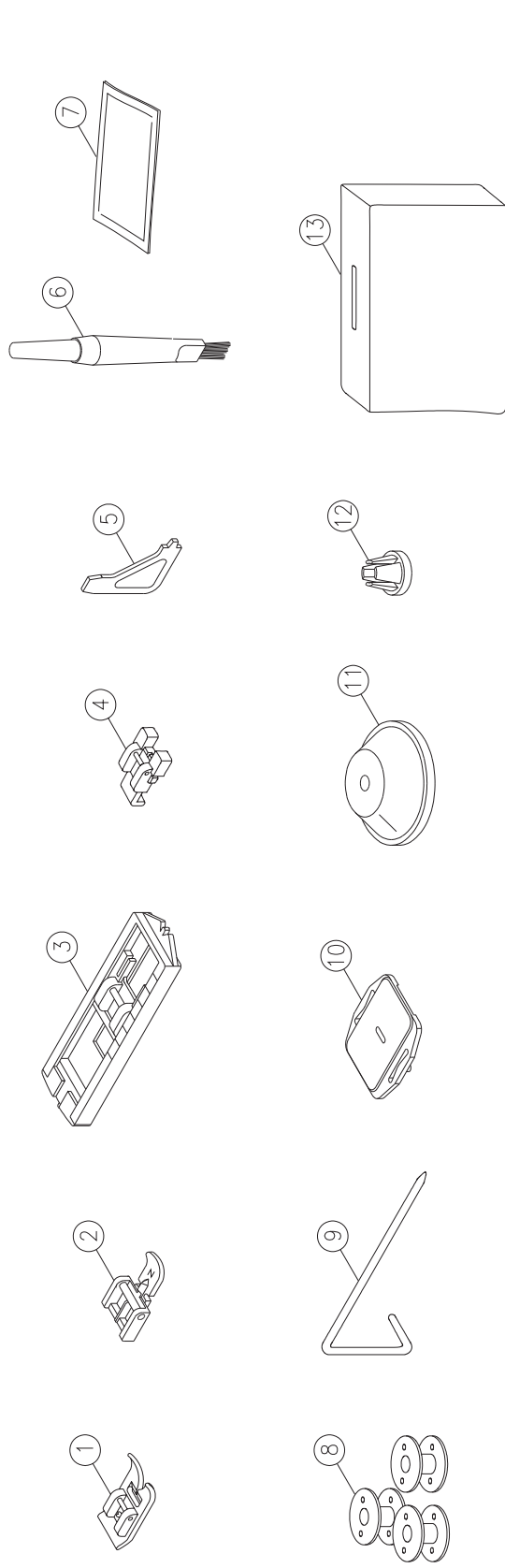


Pos	Part No.	Description
1	270 V62033006	HANDLE BRACKET COMPLETE
2	416121501	SET SCREW (M4×8 A)
3	270 V880083210	HANDLE
4	270 V886293210	FRONT COVER
5	270 V61503210	PLATE (1)
6		SET SCREW (M4×15)
7		BACK COVER
8	416146601	BOBBIN WINDER STOPPER
9		SET SCREW (9/64×4×18 B)
10	416126301	NUT (9/64×40 T=3)
11	270 V880173001	BOBBIN WINDER THREAD GUIDE ADJUSTING SCREW
12	270 V880183001	BOBBIN WINDER SPRING DISC
13	270 V880193000	BOBBIN WINDER THREAD GUIDE SPRING
14		WASHER (Φ4.2×8×1)
15	416116001	E-RING (ETW-3)
16	270 V886273210	BOBBIN WINDER THREAD GUIDE BASE
17	270 V880403000	METAL GUIDE BAR
18	270 003020043	CS-RING (CSTW-4)
19	270 004230216	SET SCREW (M3×8.5B)
20	270 V880235000	THREAD GUIDE COMPLETE
21	416169501	SPOOL PIN
22	270 004230646	SET SCREW (M3×16.7 B)
23	270 V880353210	BACK COVER PLATE

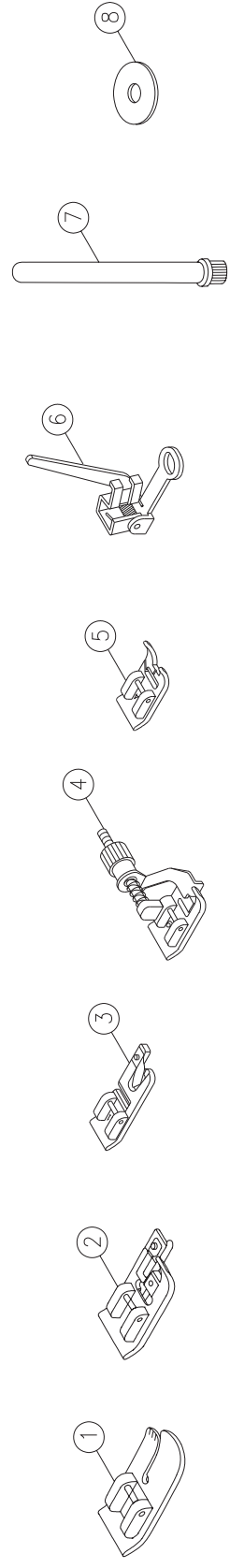


Pos	Part No.	Description
1	416121501	SET SCREW (M4×8 A)
2	416122201	SET SCREW (M4×10 B)
3	416121101	SET SCREW (M4×10 B)
4	270 V887193210	FACE PLATE
5	416172501	THREAD CUTTER
6	416116701	CS-RING (CSTW-5)
7	270 V880323000	HEAT RESISTANT PLATE
8		BOTTOM PLATE
9	416124401	WASHER (5.2×16×1.0)
10	270 J31413000	FREE ARM BASE CUSHION RUBBER
11	416121601	SET SCREW (M4×12 B)
12	270 V880033210	BED COVER
13		HOOK COVER
14	270 R12453002	HOOK COVER SPRING
15	270 V880065210	SEWING TABLE BODY
16	270 V880065210	SEWING TABLE BODY COVER
#1	270 V880065210	SEWING TABLE BODY COMPLETE

STANDARD ACCESSORIES



OPTIONAL ACCESSORIES



Pos	Part No.	Description
1	416128401	ALL PURPOSE FOOT
2	416128701	ZIPPER FOOT (I)
3	416128901	BUTTONHOLE FOOT (B)
4	270 006914008	BUTTON SEWING FOOT
5	270 006093009	SCREWDRIVER (L)
6	416127701	BRUSH & SEAM RIPPER COMPLETE
7		PACK OF NEEDLE
8	270 006084009	BOBBIN
9	416127101	SEAM GUIDE
10	416127901	EMBROIDERY PLATE
11	270 R12373210B	SPOOL HOLDER (LARGE)
12	416157601	SPOOL HOLDER (SMALL)
13	270 020168009	SOFT COVER

OPTIONAL ACCESSORIES

1	416129101	QUILTING FOOT
2	270 006803008	OVER CASTING FOOT
3	270 006800008	HEMMER FOOT
4	270 006812008	BLIND HEM FOOT
5	270 006804008	SATIN STITCH FOOT
6	416127401	EMBROIDERY FOOT
7	270 R60033210	SECOND SPOOL PIN
8	416127301	SPOOL PIN FELT