

**LIST OF PARTS
SEWING MACHINE SERIES**

SM-14/ FM-17/ CM-17

FM-22/ 5825/ 57825

5830/5838



THE SINGER COMPANY
© 1999 SINGER DO BRASIL
ALL RIGHTS RESERVED

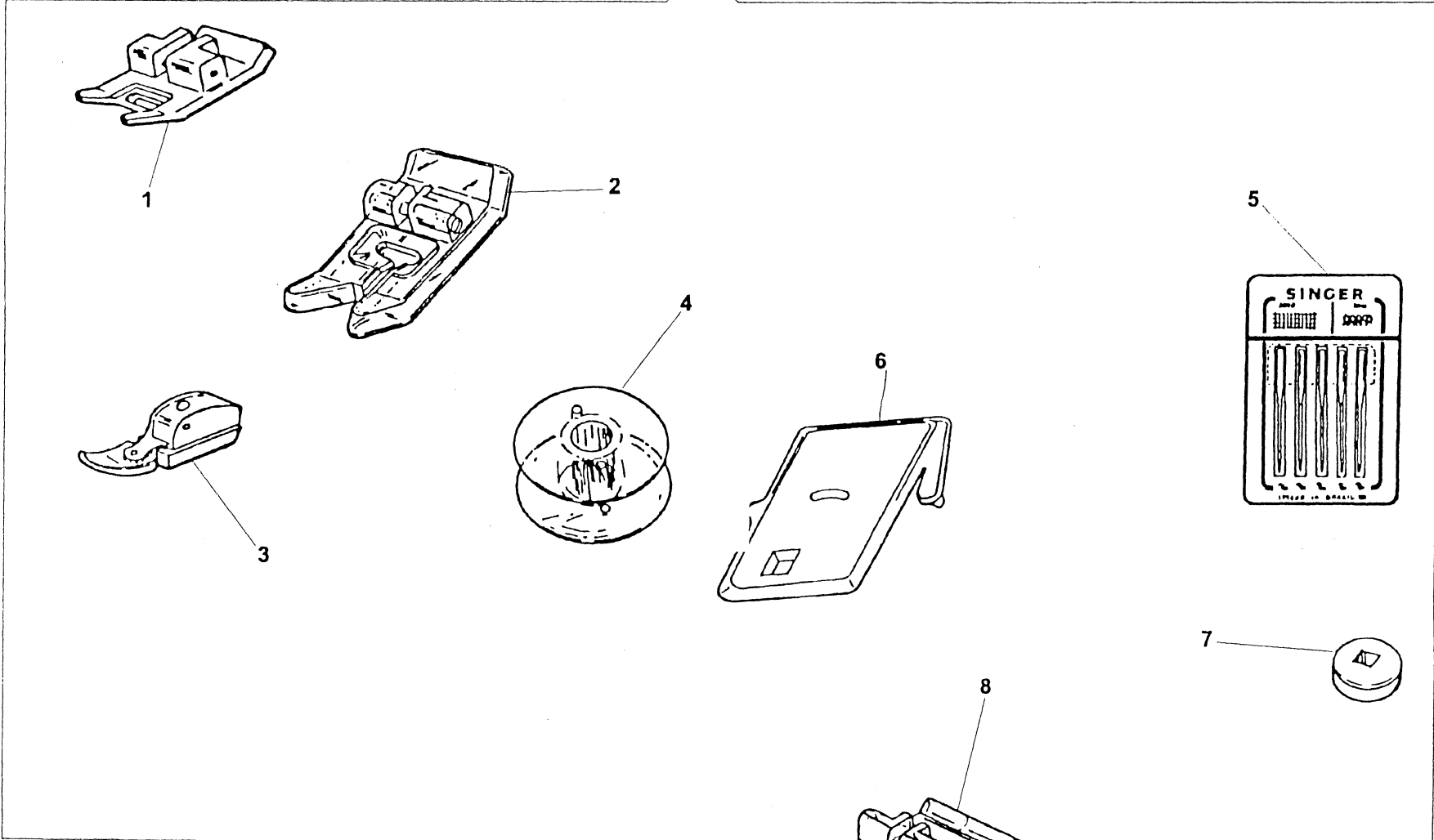
PRINTED IN BRAZIL
P/N 357675-001
JAN/99

PART LIST
SM-14 / FM-17 / 5825 / CM-17
/ 57825 / FM-22 / 5830 / 5838
REVISION RECORD

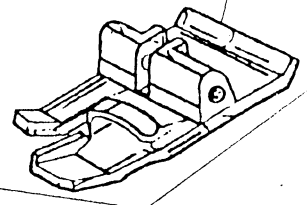
REV.	DESCRIPTION	APPROVAL AND DATE
	ADOPT.	L.F.GONZAGA JAN/99

ATTACHMENT SET

9



REV: _____
DATE: JAN/99



INDEX

PAGE NBR.

SUB-ASSEMBLY

01 , 02	ATTACHMENT SET
03 , 04	ADDITIONAL ACCESSORIES (OVER-THE-COUNTER)
05 , 06	ARM, BED, THROAT PLATE & BED SLIDE
07 , 08	ARM, TOP COVER
09 , 10	COVERS & ADD-ONS
11 , 13	NEEDLE BAR
14 , 15	PRESSER BAR
16 , 17	ARM SHAFT DRIVE
18 , 19	HAND WHEEL
20 , 21	TENSION MECHANISM
22 , 23	HOOK SYSTEM
24 , 25	BIGHT AMPLITUDE
26 , 29	NEEDLE POSITION
30 , 33	PATTERN SELECTOR
34 , 35	CAM STACK
36 , 37	FEED REGULATOR CAM
38 , 39	BUTTONHOLER & FEED REGULATOR CAM
40 , 41	CAM CONTROLLED FEED
42 , 43	FEED SYSTEM
44 , 46	ELECTRICAL EQUIPMENT

**PART LIST
ATTACHMENT SET**

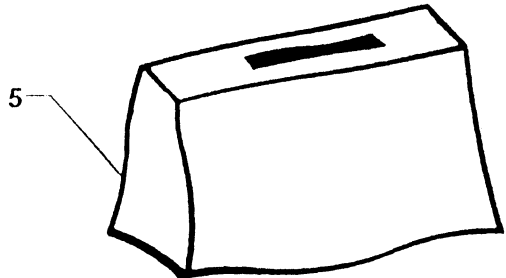
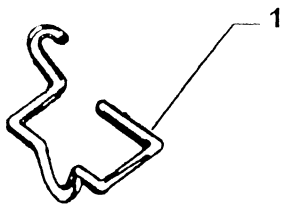
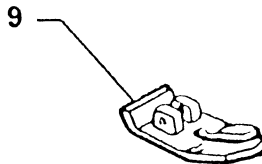
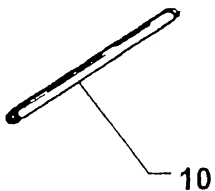
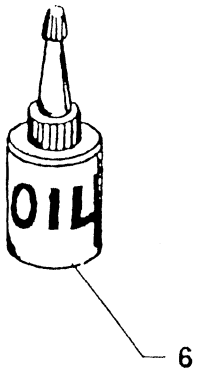
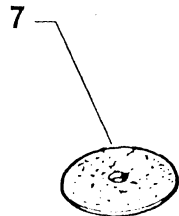
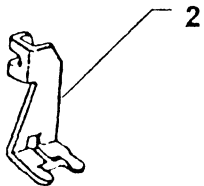
**S F 5 C 5 F 5 5
M M 8 M 7 M 8 8
1 1 2 1 8 2 3 3
4 7 5 7 2 2 0 8
5**

REF. PART NBR

DESCRIPTION

01	446492-451	SPECIAL PURPOSE PRESSER FOOT PLATE (SNAP-ON)	-	-	X	X	X	X	X	X	X
02	161927	PRESSER FOOT PLATE (SNAP-ON) FOR SEWING BUTTONHOLES	-	-	X	X	X	X	X	X	X
03	507836	PRESSER FOOT PLATE (SNAP-ON) COMPLETE FOR CORDING & SLIDE FASTERNERS	-	-	X	X	X	X	X	X	X
04	172336	BOBBIN (PLASTIC)	X	X	X	X	X	X	X	X	X
05	353364	NEEDLE PACK (INCLUDES 1 EA. N2020 SIZE 11/14/15 & N2045 SIZE 11/14)	X	X	X	X	X	X	X	X	X
06	313117	FEED COVER PLATE (PLASTIC)	X	X	X	X	X	X	X	X	X
07	179967-461	ARM TOP COVER SPOOL PIN THREAD LEAD-OFF (SMALL PLASTIC)	X	X	X	X	X	X	X	X	X
08	356630	BLIND STITCH GUIDE	-	-	X	X	X	X	X	X	X
09	357031	ATTACHMENT SET COMPLETE	X	X	-	-	-	-	-	-	-
09	357030	ATTACHMENT SET COMPLETE	-	-	X	X	X	X	X	X	X

ADDITIONAL ACCESSORIES (OVER-THE-COUNTER)



REV: _____
DATE: JAN/99

PARTS LIST
ADDITIONAL ACCESSORIES(OVER-THE-COUNTER)

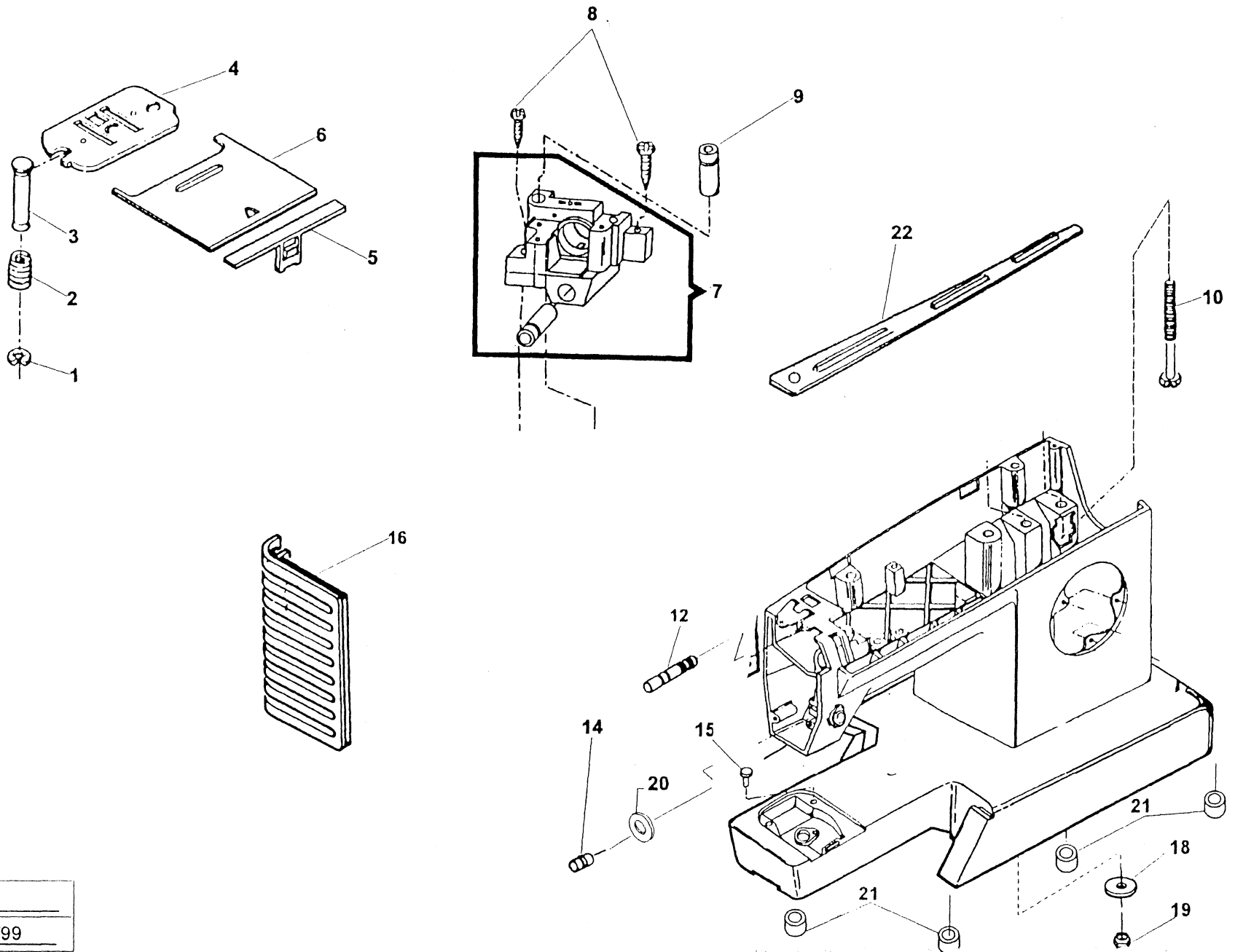
S F 5 C 5 F 5 5
M M 8 M 7 M 8 8
1 1 2 1 8 2 3 3
4 7 5 7 2 2 0 8
5

REF. PART NBR

DESCRIPTION

01 116863	FINGER GUARD	X X X X X X X X
02 179911	PRESSER FOOT FOR BUTTON SEWING	X X X X X X X X
03 313066	NEEDLE PLATE FOR STRAIGHT STITCH SEWING	X X X X X X X X
05 356392-452	DUST COVER (SOFT VINYL)	X X X X X X X X
06 357004-001	OIL CONTAINER COMPLETE	X X X X X X X X
07 8879-656	SPOOL PIN FELT FOR TWIN NEEDLE	X X X X X X X X
08 531868	NEEDLE PACK (ONE TWIN NEEDLE 2025-14)	X X X X X X X X
09 153267	PRESSER FOOT PLATE (SNAP-ON) FOR STRAIGHT STITCH	X X X X X X X X
10 356942-453	SPOOL PIN FOR TWIN NEEDLE	X X X X X X X X

ARM, BED, THROAT PLATE & BED SLIDE



REV: _____
DATE: JAN/99

PARTS LIST
ARM, BED, THROAT PLATE & BED SLIDE

S F 5 C 5 F 5 5
M M 8 M 7 M 8 8
1 1 2 1 8 2 3 3
4 7 5 7 2 2 0 8
5

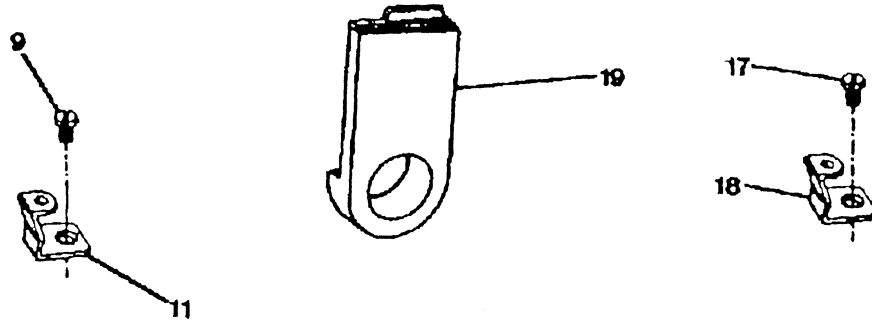
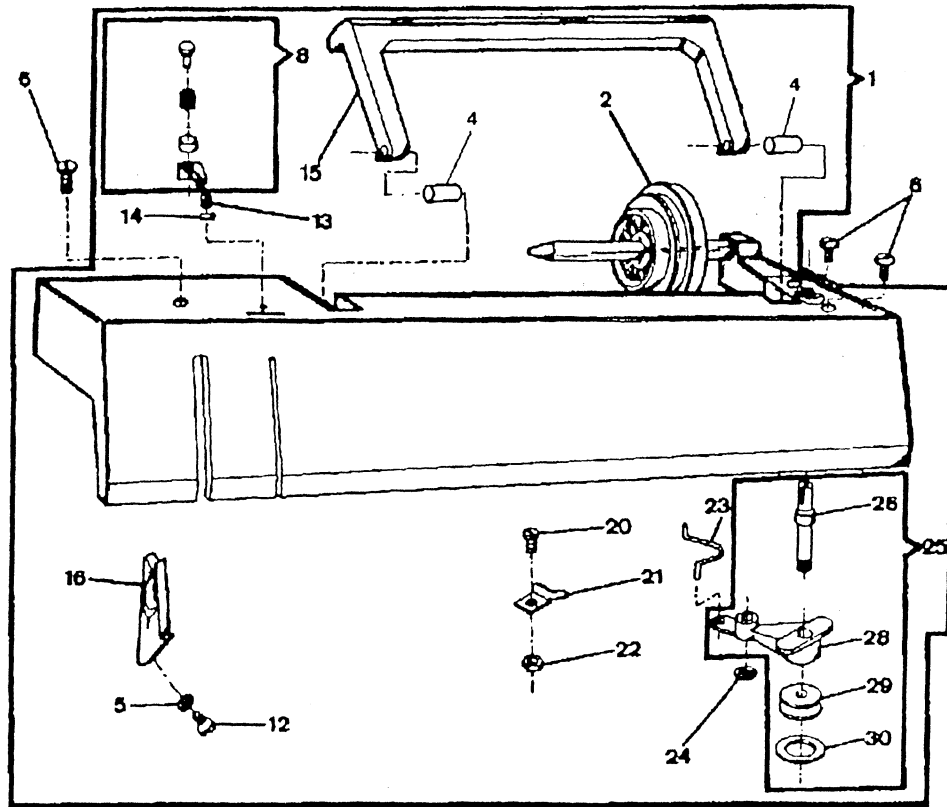
REF. PART NBR	DESCRIPTION								
01	179926	THROAT PLATE CLAMP SPRING RETAINING RING							X X X X X X X X
02	357611	THROAT PLATE CLAMP SPRING							X X X X X X X X
03	353597	THROAT PLATE CLAMP							X X X X X X X X
04	356713	THROAT PLATE FOR ZIG-ZAG SEWING							X X X X X X X X
05	446482	BED SLIDE SPRING (SNAP-ON)							X X X X X X X X
06	356715	BED SLIDE							X X X X X X X X
07	357017-002	ARM SHAFT (REAR) HOUSING ASSEMBLY							X X X X X X X X
08	113455-006	ARM SHAFT (REAR) HOUSING MOUNTING SCREW							X X X X X X X X
09	357019	ARM TOP COVER SUPPORT STUD							X X X X X X X X
10	357020-451	ARM SHAFT (REAR) HOUSING MOUNTING BOLT							X X X X X X X X
12	446375	THREAD TAKE-UP LEVER LINK HINGE STUD							X X X X X X X X
14	357438-001	TENSION RELEASING LEVER HINGE PIN							X X X X X X X X
15	353624	THROAT PLATE POSITION PIN							X X X X X X X X
16	353360-45X	ARM INSERT MOTOR VENT GRILL							X X X X X X X X
17	355250-451	BED (BOTTOM) COVER & GABINET BOLT							X X X X X X X X
18	353375-451	BED (BOTTOM) COVER & GABINETE BOLT WASHER							X X X X X X X X
19	514608	BED (BOTTOM) COVER & GABINET BOLT NUT							X X X X X X X X
20	357464-002	TENSION RELEASING LEVER HINGE PIN WASHER							X X X X X X X X
21	353559-451	UNDER BED COVER CUSHION							X X X X X X X X
22	356049-901	FILLER PLATE							X X - - - - -
22	356111-452	FILLER PLATE							- - X X - - -
22	356112-452	FILLER PLATE							- - - - X X X -
22	356777-452	FILLER PLATE							- - - - - - X

<u>REF.</u>	<u>NEW P/N</u>	<u>IN PLACE OF</u>	<u>IMPLEMENTATION DATE</u>
02	357611	353494	04/14/97
04	356713	312777	07/17/95
06	356715	446481	07/17/95
07	357017-002	446347-002	02/03/94
09	357019	446465-001	02/03/94
10	357020-451	446349-451	02/03/94
14	357438-001	446358	02/21/97

SM-14, FM17, 5825, CM-17, 57825, FM-22, 5830, 5838 Models.
P/N 357675-001.

Adopt.

ARM TOP COVER



REV.: _____
DATA: __ JAN/99 __

**PART LIST
ARM TOP COVER**

**S F 5 C 5 F 5 5
M M 8 M 7 M 8 8
1 1 2 1 8 2 3 3
4 7 5 7 2 2 0 8
5**

REF. PART NBR

DESCRIPTION

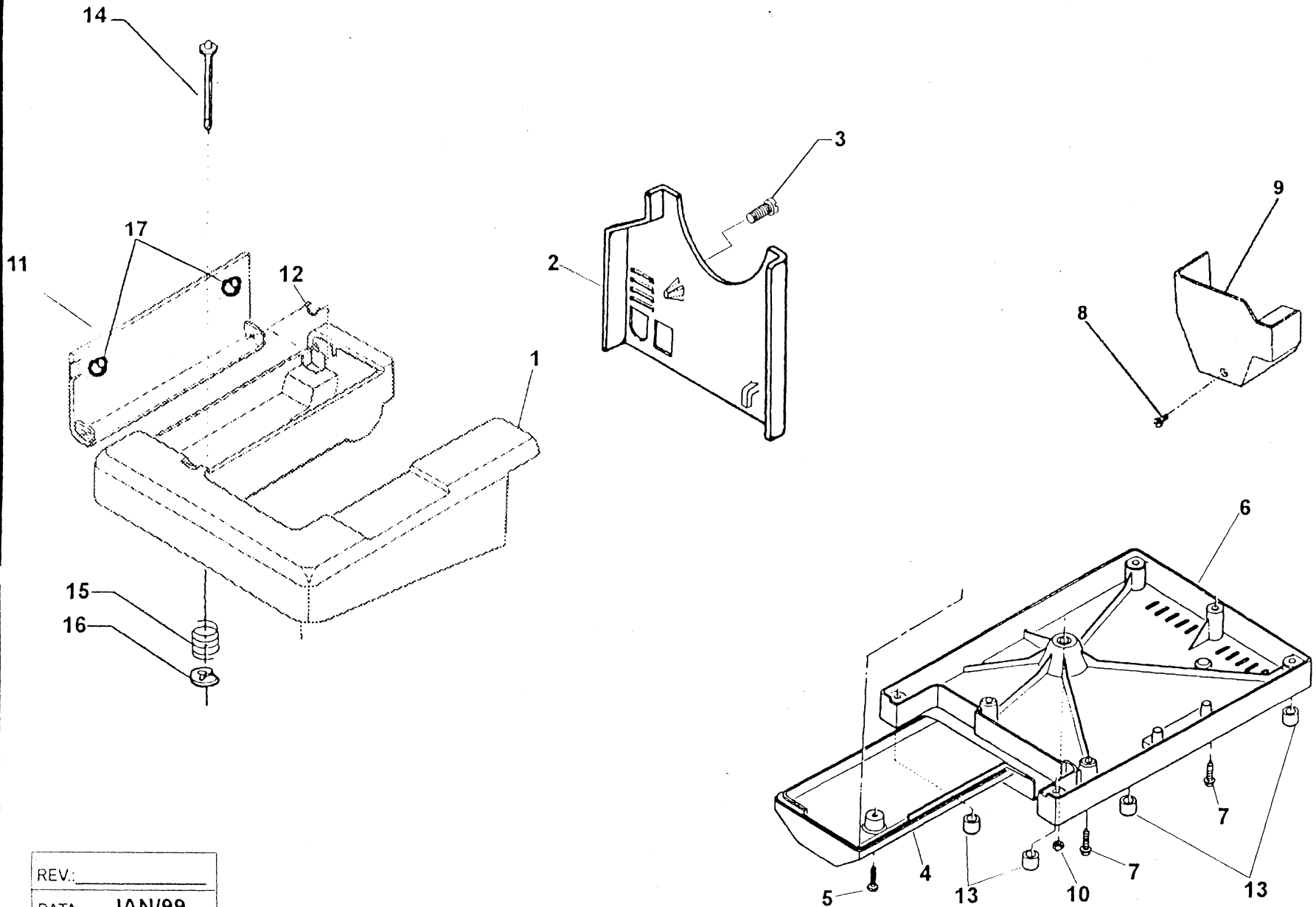
01	356811-XXX	ARM TOP COVER COMPLETE	X	X	X	X	X	X	X	X	-
01	356880-XXX	ARM TOP COVER COMPLETE	-	-	-	-	-	-	-	-	X
02	179967-461	ARM TOP COVER SPOOL PIN THREAD LEAD-OFF	X	X	X	X	X	X	X	X	X
04	357325-900	ARM TOP COVER MACHINE HANDLE HINGE PIN	X	X	X	X	X	X	X	X	X
05	446138	ARM TOP COVER THREAD GUIDE SCREW WASHER	X	X	X	X	X	X	X	X	X
06	354895-453	ARM TOP COVER SCREW	X	X	X	X	X	X	X	X	X
08	356047	BOBBIN WINDER TENSION COMPLETE	X	X	X	X	X	X	X	X	X
09	354826-451	ARM TOP COVER MOUNTING BRACKET SCREW	X	X	X	X	X	X	X	X	X
11	531765	ARM TOP COVER BRACKET (LEFT)	X	X	X	X	X	X	X	X	X
12	356116-451	ARM TOP COVER THREAD GUIDE SCREW	X	X	X	X	X	X	X	X	X
13	141936-833	BOBBIN WINDER TENSION BRACKET ADJUSTING SCREW	X	X	X	X	X	X	X	X	X
14	44794	BOBBIN WINDER TENSION BRACKET ADJUSTING SCREW RETAINING CLIP	X	X	X	X	X	X	X	X	X
15	357338-900	ARM TOP COVER MACHINE HANDLE	X	X	X	X	X	X	X	X	X
16	357084-451	ARM TOP COVER THREAD GUIDE	X	X	X	X	X	X	X	X	X
17	113455-001	ARM TOP COVER MOUNTING BRACKET (RIGHT) SCREW	X	X	X	X	X	X	X	X	X
18	356178	ARM TOP COVER MOUNTING BRACKET (RIGHT)	X	X	X	X	X	X	X	X	X
19	356173-453	ARM TOP COVER SHROUDER	X	X	X	X	X	X	X	X	X
20	141920-455	BOBBIN WINDER STOP SCREW	X	X	X	X	X	X	X	X	X
21	445924	BOBBIN WINDER STOP	X	X	X	X	X	X	X	X	X
22	53640-819	BOBBIN WINDER STOP SCREW NUT	X	X	X	X	X	X	X	X	X
23	531766	BOBBIN WINDER SPRING	X	X	X	X	X	X	X	X	X
24	445486	BOBBIN WINDER RETAINING RING	X	X	X	X	X	X	X	X	X
25	531767-452	BOBBIN WINDER ASSEMBLY	X	X	X	X	X	X	X	X	X
26	356913	BOBBIN WINDER SPINDLE COMPLETE	X	X	X	X	X	X	X	X	X
28	354633-453	ARM TOP COVER HANDLE BRACKET	X	X	X	X	X	X	X	X	X
29	531770-452	BOBBIN WINDER FRAME	X	X	X	X	X	X	X	X	X
28	15287-701	BOBBIN WINDER FRICTION RING	X	X	X	X	X	X	X	X	X

NOTE: PLEASE WHEN NEED THE PART NUMBER(-----XXX), INDICATE THE MACHINE MODEL WHERE WILL BE USED.

**SM-14, FM17, 5825, CM-17, 57825, FM-22, 5830, 5838 Models.
P/N 357675-001.**

Adopt.

COVERS & ADD-ONS



REV: _____
DATA: JAN/99

**PART LIST
COVERS AND ADD-ONS**

**S F 5 C 5 F 5 5
M M 8 M 7 M 8 8
1 1 2 1 8 2 3 3
4 7 5 7 2 2 0 8
5**

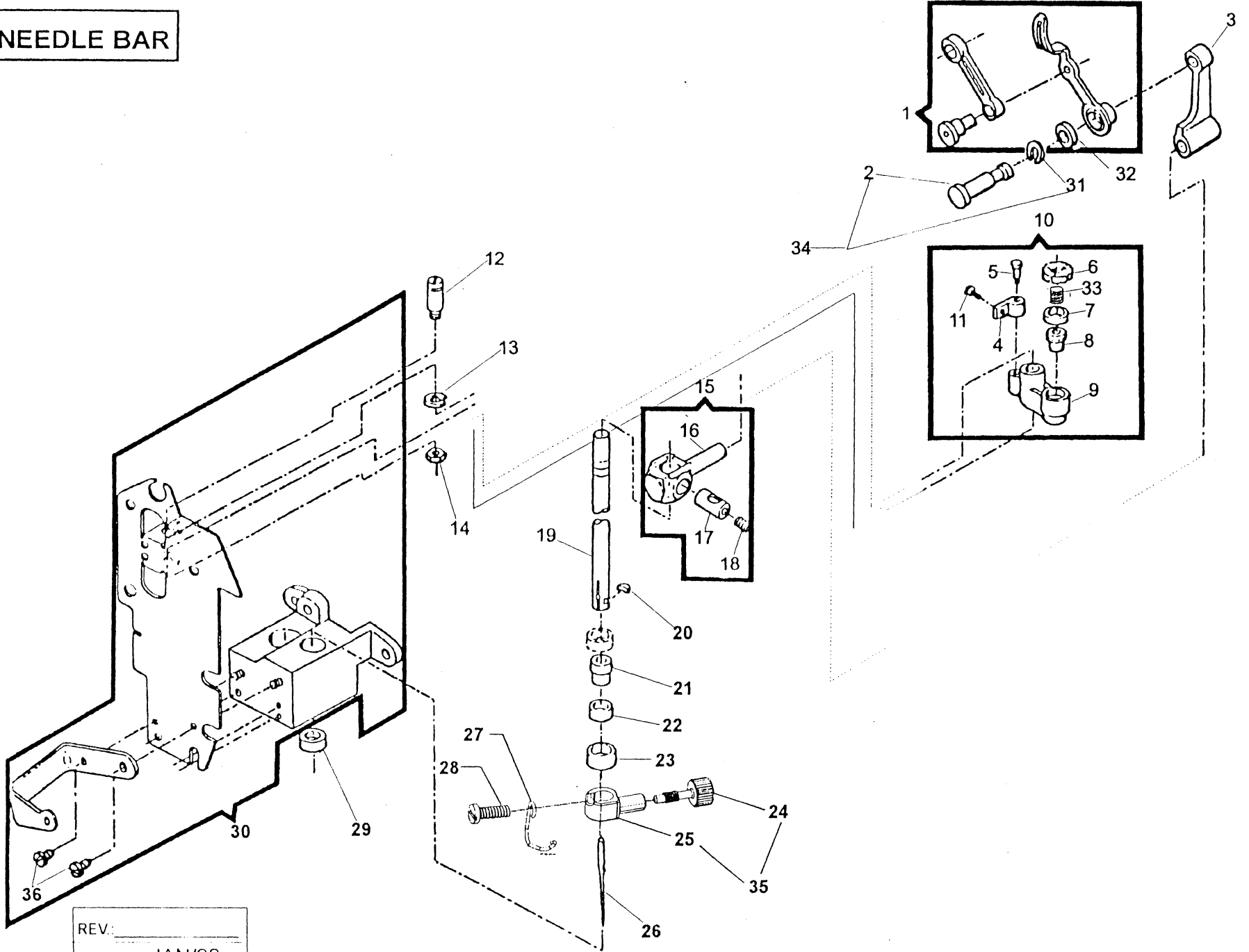
REF. PART NBR	DESCRIPTION																		
01	356989-451	BED EXTENSION PLATE																	
02	446450-XXX	ARM END COVER	196 for 5825																
03	364063-451	ARM END COVER SCREW																	
04	446493-453	BED (TUBULAR) BOTTOM COVER (PLASTIC)																	
05	354895-453	BED (TUBULAR) BOTTOM COVER FASTENING SCREW																	
06	356929-451	BED (BOTTOM) COVER (PLASTIC)																	
07	113455-001	BED (BOTTOM) COVER FASTENING SCREW																	
08	354133-453	FACE PLATE SCREW																	
09	356051-XXX	FACE PLATE COMPLETE (WITHOUT GRILL)																	
10	514608	BED (BOTTOM) COVER FASTENING SCREW NUT																	
11	356956-451	BED EXTENSION LID																	
12	357002	BED EXTENSION SPRING																	
13	353559-451	BED CUSHION																	
14	357056-451	BED EXTENSION CLOTH PLATE LID LIFTING PIN																	
15	357059	BED EXTENSION CLOTH PLATE LID LIFTING PIN SPRING																	
16	446417	BED EXTENSION CLOTH PLATE LID LIFTING PIN RETAINING RING																	
17	357064	BED EXTENSION CLOTH PLATE CUSHION																	

NOTE: PLEASE WHEN NEED THE PART NUMBER(-----XXX), INDICATE THE MACHINE MODEL WHERE WILL BE USED.

SM-14, FM17, 5825, CM-17, 57825, FM-22, 5830, 5838 Models.
P/N 357675-001.

Adopt.

NEEDLE BAR



REV: _____
DATE: JAN/99

**PART LIST
NEEDLE BAR**

**S F 5 C 5 F 5 5
M M 8 M 7 M 8 8
1 1 2 1 8 2 3 3
4 7 5 7 2 2 0 8
5**

REF. PART NBR	DESCRIPTION																			
01 445672	THREAD TAKE-UP LEVER COMPLETE	X	X	X	X	X	X	X	X	X	X	X	X	X	X	X	X	X	X	X
02 446260	THREAD TAKE-UP STUD	X	X	X	X	X	X	X	X	X	X	X	X	X	X	X	X	X	X	X
03 446357	NEEDLE BAR CONNECTING LINK	X	X	X	X	X	X	X	X	X	X	X	X	X	X	X	X	X	X	X
04 446190	NEEDLE BAR DRIVING ARM HINGE BRACKET	X	X	X	X	X	X	X	X	X	X	X	X	X	X	X	X	X	X	X
05 37935	NEEDLE BAR DRIVING ARM HINGE BRACKET HINGE PIN	X	X	X	X	X	X	X	X	X	X	X	X	X	X	X	X	X	X	X
06 353522-001	NEEDLE BAR BALL BUSHING (UPPER) REATINING RING	X	X	X	X	X	X	X	X	X	X	X	X	X	X	X	X	X	X	X
07 357615	NEEDLE BAR BALL BUSHING (UPPER) SOCKET (LOWER)	X	X	X	X	X	X	X	X	X	X	X	X	X	X	X	X	X	X	X
3 446355-940	NEEDLE BAR BALL BUSHING (UPPER)	X	X	X	X	X	X	X	X	X	X	X	X	X	X	X	X	X	X	X
09 353521	NEEDLE BAR VIBRATING BRACKET	X	X	X	X	X	X	X	X	X	X	X	X	X	X	X	X	X	X	X
10 353520-001	NEEDLE BAR VIBRATING BRACKET COMPLETE	X	X	X	X	X	X	X	X	X	X	X	X	X	X	X	X	X	X	X
11 354826-451	NEEDLE BAR DRIVING ARM HINGE BRACKET SCREW	X	X	X	X	X	X	X	X	X	X	X	X	X	X	X	X	X	X	X
12 446359	NEEDLE BAR VIBRATING BRACKET HINGE PIN	X	X	X	X	X	X	X	X	X	X	X	X	X	X	X	X	X	X	X
13 445721	NEEDLE BAR VIBRATING BRACKET HINGE PIN RETAINING RING	X	X	X	X	X	X	X	X	X	X	X	X	X	X	X	X	X	X	X
14 357093-451	NEEDLE BAR VIBRATING BRACKET HINGE PIN NUT	X	X	X	X	X	X	X	X	X	X	X	X	X	X	X	X	X	X	X
15 353549-940	NEEDLE BAR CONNECTING STUD WITH HINGE PIN	X	X	X	X	X	X	X	X	X	X	X	X	X	X	X	X	X	X	X
16 353549	NEEDLE BAR CONNECTING STUD	X	X	X	X	X	X	X	X	X	X	X	X	X	X	X	X	X	X	X
17 37931	NEEDLE BAR CONNECTING STUD HINGE PIN	X	X	X	X	X	X	X	X	X	X	X	X	X	X	X	X	X	X	X
18 141916-833	NEEDLE BAR CLAMPING SCREW	X	X	X	X	X	X	X	X	X	X	X	X	X	X	X	X	X	X	X
19 445793	NEEDLE BAR	X	X	X	X	X	X	X	X	X	X	X	X	X	X	X	X	X	X	X
20 37943	NEEDLE BAR GIB	X	X	X	X	X	X	X	X	X	X	X	X	X	X	X	X	X	X	X
21 446355-001	NEEDLE BAR BALL BUSHING (LOWER)	X	X	X	X	X	X	X	X	X	X	X	X	X	X	X	X	X	X	X
22 507379	NEEDLE BAR BALL BUSHING (LOWER) SOCKET	X	X	X	X	X	X	X	X	X	X	X	X	X	X	X	X	X	X	X
23 446361-001	NEEDLE BAR BALL BUSHING (LOWER) ADJUSTING COLLAR	X	X	X	X	X	X	X	X	X	X	X	X	X	X	X	X	X	X	X
24 355248-451	NEEDLE THUMB SCREW	X	X	X	X	X	X	X	X	X	X	X	X	X	X	X	X	X	X	X
25 357429	NEEDLE CLAMP BODY	X	X	X	X	X	X	X	X	X	X	X	X	X	X	X	X	X	X	X
26 204514-100	NEEDLE 2045 SIZE NBR 14	X	X	X	X	X	X	X	X	X	X	X	X	X	X	X	X	X	X	X
26 202014-100	NEEDLE 2020 SIZE NBR 14 (FOR JAPAN ONLY)	X	X	X	X	X	X	X	X	X	X	X	X	X	X	X	X	X	X	X
27 357421	NEEDLE CLAMP THREAD GUIDE	X	X	X	X	X	X	X	X	X	X	X	X	X	X	X	X	X	X	X
28 141920-455	ND.CLAMP BODY, ND.CLAMP THREAD GUIDE & ND.STOP SCREW	X	X	X	X	X	X	X	X	X	X	X	X	X	X	X	X	X	X	X
29 44450	NEEDLE BAR BALL BUSHING (LOWER) SOCKET (UPPER)	X	X	X	X	X	X	X	X	X	X	X	X	X	X	X	X	X	X	X
30 357360-000	NEEDLE BAR, PRESSER BAR & VIBR.BKT.HOUSING ASSEMBLY	X	X	X	X	X	X	X	X	X	X	X	X	X	X	X	X	X	X	X

**PART LIST
NEEDLE BAR (CONT.)**

**S F 5 C 5 F 5 5
M M 8 M 7 M 8 8
1 1 2 1 8 2 3 3
4 7 5 7 2 2 0 8
5**

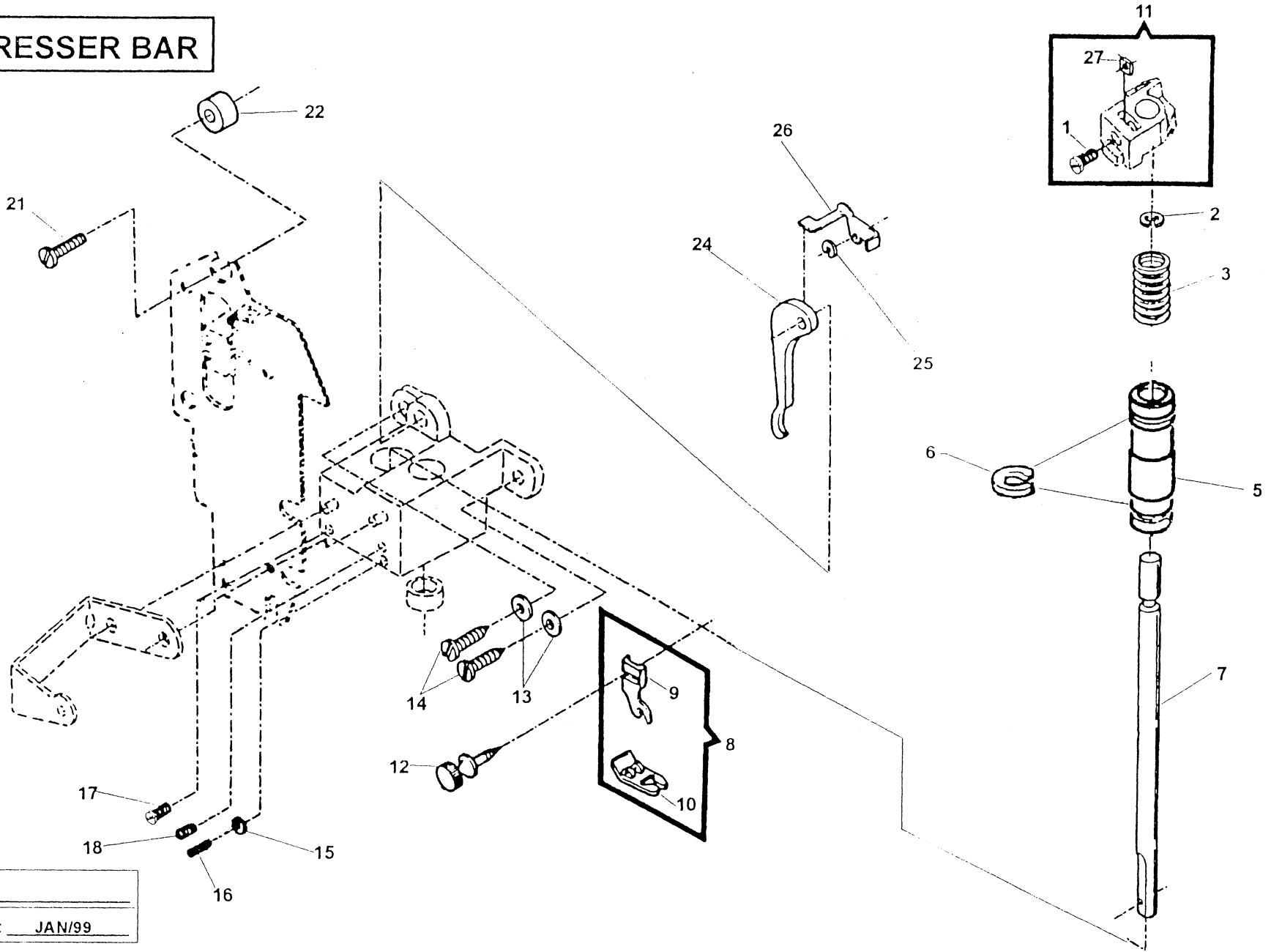
REF. PART NBR	DESCRIPTION								
31 445486	THREAD TAKE-UP STUD RETAINING RING	X	X	X	X	X	X	X	X
32 543531	THREAD TAKE-UP STUD THRUST WASHER	X	X	X	X	X	X	X	X
33 357616	NEEDLE BAR BALL BUSHING (UPPER) SOCKET SPRING	X	X	X	X	X	X	X	X
34 446261	THREAD TAKE-UP STUD WITH RETAINING RING	X	X	X	X	X	X	X	X
35 357430	NEEDLE CLAMP BODY WITH SCREW	X	X	X	X	X	X	X	X
38 113480-451	ND.BAR, PRESSER BAR & VIBR.BKT.HOUS.PLATE MTG.SCREW	X	X	X	X	X	X	X	X

REF.	NEW P/N	IN PLACE OF	IMPLEMENTATION DATE
14	357093-451	353402-451	05/31/94
25	357429	353629	08/26/96
27	357421	353629	08/26/96
28	141920-453	141803-451	08/26/96
28	41920-455	141920-453	21/10/97
35	57430	353631	08/26/96
30	357360-000	356599	08/26/98

*J.W-14, FM17, 5825, CM-17, 57825, FM-22, 5830, 5838 Models.
P/N 357675-001.*

Adopt.

PRESSER BAR



REV: _____
DATA: JAN/99

**PART LIST
PRESSER BAR**

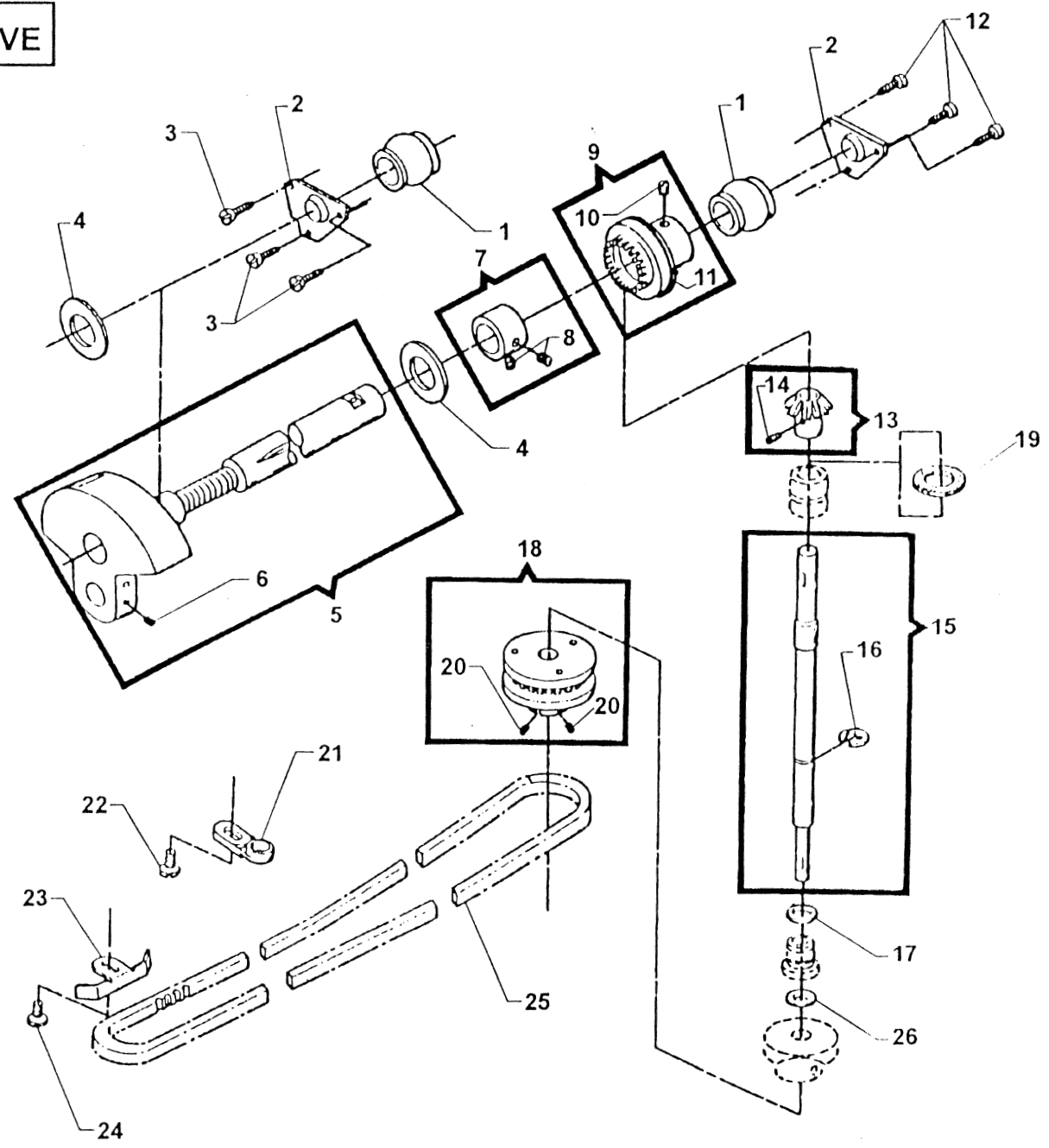
**S F 5 C 5 F 5 5
M M 8 M 7 M 8 8
1 1 2 1 8 2 3 3
4 7 5 7 2 2 0 8
5**

REF. PART NBR	DESCRIPTION								
01	355279-451	PRESSER BAR GUIDE BRACKET SET SCREW	X	X	X	X	X	X	X
02	353215	PRESSER BAR SPRING RETAINING RING (UPPER)	X	X	X	X	X	X	X
03	357362	PRESSER BAR SPRING	X	X	X	X	X	X	X
04	357604	PRESSER BAR SPRING RETAINING RING	X	X	X	X	X	X	X
05	445947-001	PRESSER BAR BUSHING	X	X	X	X	X	X	X
06	357604	PRESSER BAR BUSHING LOCATING RING	X	X	X	X	X	X	X
07	357602	PRESSER BAR	X	X	X	X	X	X	X
08	446372	PRESSER FOOT (SNAP-ON) COMPLETE FOR ZIG-ZAG SEWING	X	X	X	X	X	X	X
09	155964	PRESSER FOOT SHANK (SNAP-ON)	X	X	X	X	X	X	X
10	446371	PRESSER FOOT PLATE (SNAP-ON) FOR ZIG-ZAG SEWING	X	X	X	X	X	X	X
11	357363	PRESSER BAR GUIDE BRACKET ASSEMBLY	X	X	X	X	X	X	X
12	354135-452	PRESSER FOOT THUMB SCREW	X	X	X	X	X	X	X
13	353375-451	NEEDLE BAR, PRESSER BAR & VIBRATING BRACKET HOUSING MOUTING SCREW (LOWER) WASHER	X	X	X	X	X	X	X
14	113434-451	NEEDLE BAR, PRESSER BAR & VIBRATING BRACKET HOUSING MOUTING SCREW (LOWER)	X	X	X	X	X	X	X
15	54591-451	NEEDLE BAR OVER THROW SET SCREW NUT	X	X	X	X	X	X	X
16	354993-451	NEEDLE BAR OVER THROW SET SCREW	X	X	X	X	X	X	X
17	354906-451	PRESSER BAR BUSHING SET SCREW	X	X	X	X	X	X	X
18	141938-833	NEEDLE BAR BALL BUSHING (LOWER) ADJUSTING COLLAR SET SCREW	X	X	X	X	X	X	X
19	446353	PRESSER BAR GUIDE BRACKET POSITIONER	X	X	X	X	X	X	X
┌	141913-451	PRESSER BAR GUIDE BRACKET POSITIONER SCREW	X	X	X	X	X	X	X
21	113455-009	N.BAR & PRESSER BAR VIBR. BRAC. HOUSING MOUT.SCREW (UPPER)	X	X	X	X	X	X	X
22	531627	NEEDLE BAR, PRESSER BAR & VIBRAT.BRAC. HOUNSING MOUT.BUSH.	X	X	X	X	X	X	X
24	356170-451	PRESSER BAR LIFTER	X	X	X	X	X	X	X
25	445486	TENSION RELEASING LEVER RETAINING RING	X	X	X	X	X	X	X
26	445925	TENSION RELEASING LEVER	X	X	X	X	X	X	X
27	353367-451	PRESSER BAR GUIDE BRACKET NUT	X	X	X	X	X	X	X
REF.	NEW	IN REPLACE OF			DATE				
03		357362	353214		01/26/98				
07		357602	314638		01/26/98				
11		357363	353212		01/26/98				

SM-14, FM17, 5825, CM-17, 57825, FM-22, 5830, 5838 Models.
P/N 357675-001.

Adopt.

ARM SHAFT DRIVE



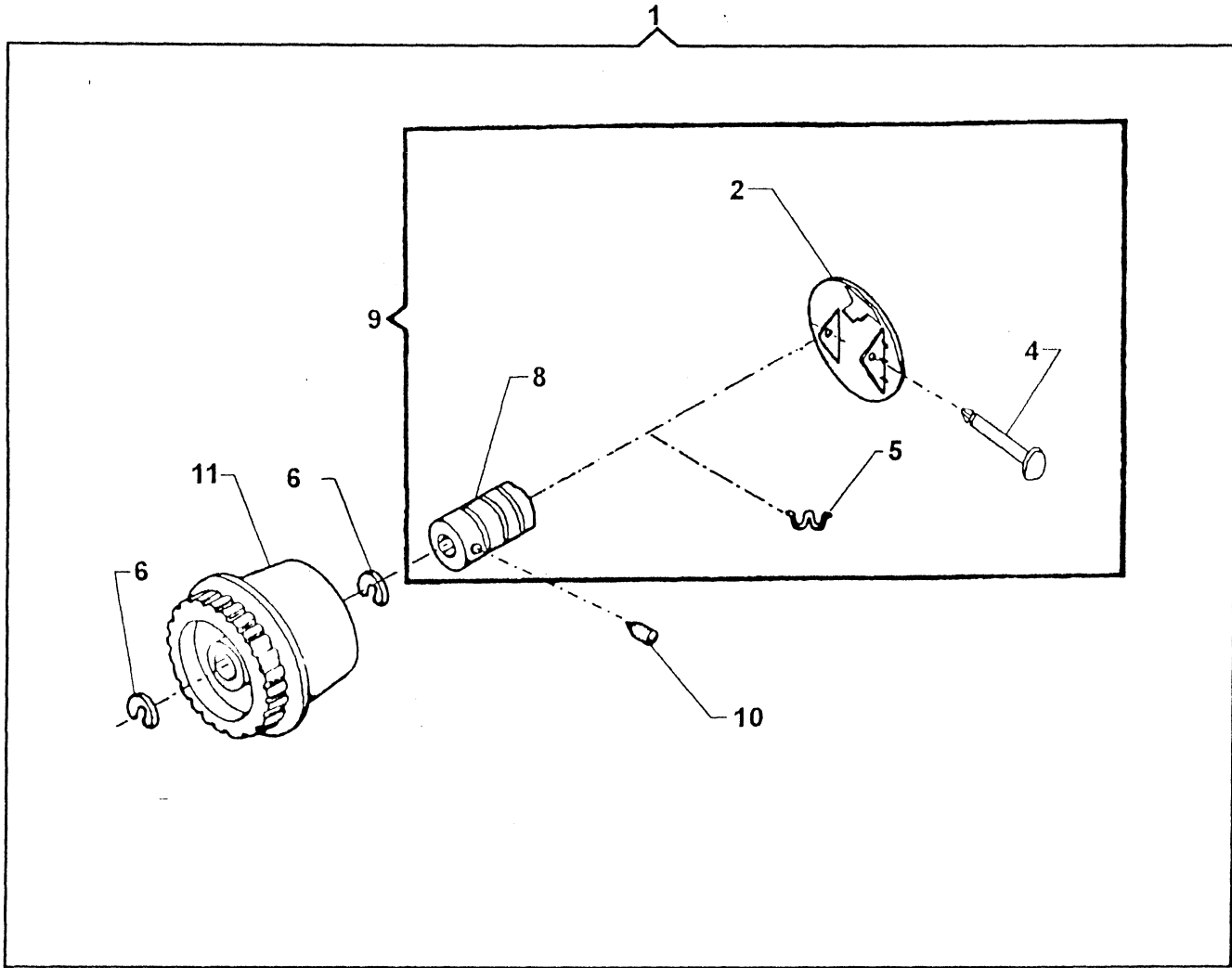
REV: _____
DATE: JAN/99

PART LIST
ARM SHAFT DRIVE

S F 5 C 5 F 5 5
M M 8 M 7 M 8 8
1 1 2 1 8 2 3 3
4 7 5 7 2 2 0 8
5

REF. PART NBR	DESCRIPTION								
01	446384	ARM SHAFT BUSHING (FRONT)	X	X	X	X	X	X	X
02	446385	ARM SHAFT BUSHING (FRONT) RETAINING BRACKET	X	X	X	X	X	X	X
03	113455-001	ARM SHAFT BUSHING (FRONT) RETAINING BRACKET SCREW	X	X	X	X	X	X	X
04	319764	ARM SHAFT (HORIZONTAL) RETAINING COLLAR WASHER	X	X	X	X	X	X	X
05	531684	ARM SHAFT COMPLETE	X	X	X	X	X	X	X
06	354105-833	NEEDLE BAR CRANK POSITION SET SCREW	X	X	X	X	X	X	X
07	353580	ARM SHAFT (HORIZONTAL) RETAINING COLLAR	X	X	X	X	X	X	X
08	113500-451	ARM SHAFT (HORIZONTAL) RETAINING COLLAR SET SCREW	X	X	X	X	X	X	X
09	353272	ARM SHADT (HORIZONTAL) BEVEL GEAR & FEED LIFTING (ECCENTRIC) COMPLETE	X	X	X	X	X	X	X
10	354813-451	ARM SHAFT (HORIZONTAL) BEVEL GEAR & FEED LIFTING ECCENTRIC SET SCREW	X	X	X	X	X	X	X
11	353413	ARM SHAFT (HORIZONTAL) BEVEL GEAR & FEED LIFTING ECCENTRIC WASHER (PLASTIC)	X	X	X	X	X	X	X
12	113455-001	ARM SHAFT BUSHING (REAR) RETAINING BRACKET SCREW	X	X	X	X	X	X	X
13	353273-002	ARM SHAFT (UPRIGHT) BEVEL GEAR (PLASTIC)	X	X	X	X	X	X	X
14	354105-833	ARM SHAFT (UPRIGHT) BEVEL GEAR SET SCREW	X	X	X	X	X	X	X
15	179952-002	ARM SHAFT (UPRIGHT) ASSEMBLY	X	X	X	X	X	X	X
16	353215	ARM SHAFT (UPRIGHT) RETAINING RING	X	X	X	X	X	X	X
17	353394	ARM SHAFT (UPRIGHT) RETAINING RING WASHER	X	X	X	X	X	X	X
18	353438-001	ARM SHAFT (UPRIGHT) BELT DRIVE PULLEY ASSEMBLY COMPLETE	X	X	X	X	X	X	X
19	356819	ARM SHAFT (UPRIGHT) FELT WASHER	X	X	X	X	X	X	X
20	354906-451	ARM SHAFT (UPRIGHT) BELT DRIVE PULLEY SET SCREW	X	X	X	X	X	X	X
21	357461	ROTATING HOOK DRIVE BELT TENSION ADJUSTER	X	X	X	X	X	X	X
22	113453-003	ROTATING HOOK DRIVE BELT TENSIONER SCREW	X	X	X	X	X	X	X
23	446376	BELT RETAINER (LEFT)	X	X	X	X	X	X	X
24	113455-001	BELT RETAINER (LEFT) SCREW	X	X	X	X	X	X	X
25	446237	BELT (ROTATING HOOK DRIVE)	X	X	X	X	X	X	X
26	319826	ARM SHAFT (UPRIGHT) BELT DRIVEPULLEY WASHER	X	X	X	X	X	X	X
REF.	NEW	IN REPLACE OF							DATE
21		357461-000		531630					11/04/98

HAND WHEEL



REV: _____
DATA: JAN/99

**PART LIST
HANDWHEEL**

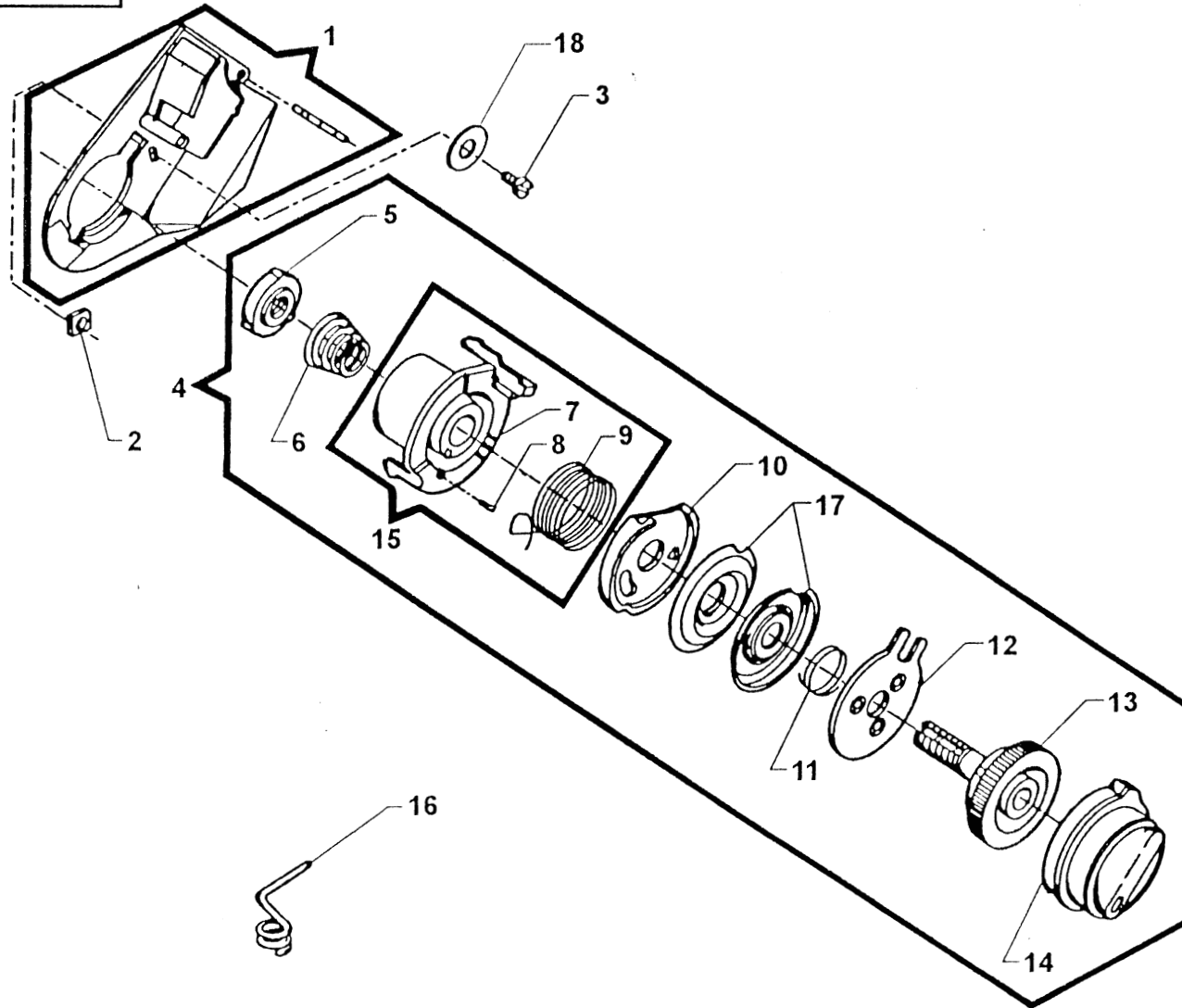
**S F 5 C 5 F 5 5
M M 8 M 7 M 8 8
1 1 2 1 8 2 3 3
4 7 5 7 2 2 0 8
5**

REF. PART NBR

DESCRIPTION

01	357009-451	HAND WHEEL COMPLETE	X	X	X	X	X	X	X	X	X	X
02	357367-901	HAND WHEEL DISENGAGING CLUTCH ENGAGING PLATE COVER	X	X	X	X	X	X	X	X	X	X
04	357364	HAND WHEEL DISENGAGING CLUTCH ENGAGING PLATE HINGE PIN	X	X	X	X	X	X	X	X	X	X
05	357365	HAND WHEEL DISENGAGING CLUTCH ACTUATING SPRING	X	X	X	X	X	X	X	X	X	X
06	446387	HAND WHEEL RETAINING RING (THREADLE ELECTRIC)	X	X	X	X	X	X	X	X	X	X
08	357359	HAND WHEEL DISENGAGING CLUTCH BUSHING	X	X	X	X	X	X	X	X	X	X
09	357368-452	HAND WHEEL DISENGAGING CLUTCH BUSHING COMPLETE	X	X	X	X	X	X	X	X	X	X
10	354813-451	HAND WHEEL DISENGAGING CLUTCH BUSHING SCREW	X	X	X	X	X	X	X	X	X	X
11	356958-451	HAND WHEEL (PLASTIC)	X	X	X	X	X	X	X	X	X	X

TENSION MECHANISM



REV.: _____
DATA: JAN/99

PART LIST
TENSION MECHANISM

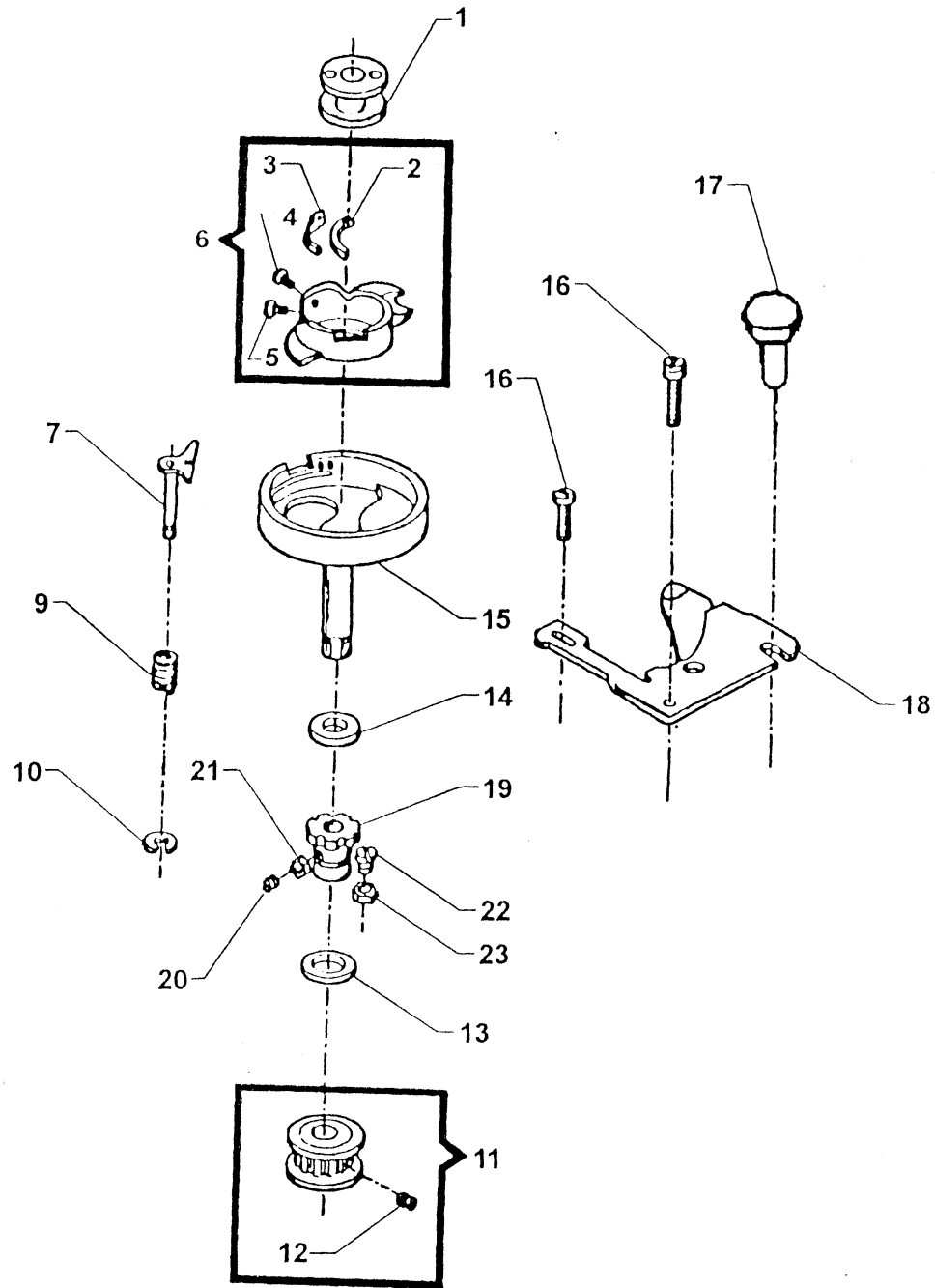
S F 5 C 5 F 5 5
M M 8 M 7 M 8 8
1 1 2 1 8 2 3 3
4 7 5 7 2 2 0 8
5

REF. PART NBR

DESCRIPTION

01	356040-452	TENSION MECHANISM SHROUDER ASSEMBLY	X	X	X	X	X	X	X	X	X
02	514698-451	TENSION MECHANISM SHROUDER SECREW NUT	X	X	X	X	X	X	X	X	X
03	141808-457	TENSION MECHANISM SHROUDER SCREW	X	X	X	X	X	X	X	X	X
04	356088-457	TENSION MECHANISM ASSEMBLY	X	X	X	X	X	X	X	X	X
05	356095	TENSION STUD NUT	X	X	X	X	X	X	X	X	X
06	356096	TENSION SPRING	X	X	X	X	X	X	X	X	X
07	356089	TENSION MECHANISM SUPPORT	X	X	X	X	X	X	X	X	X
08	356246-900	TENSION MECHANISM SUPPORT PIN	X	X	X	X	X	X	X	X	X
09	356097	THREAD TAKE-UP SPRING	X	X	X	X	X	X	X	X	X
10	356091	THREAD TAKE-UP SPRING THREAD GUARD	X	X	X	X	X	X	X	X	X
11	356216	TENSION DISC PRESSURE PLATE SPRING	X	X	X	X	X	X	X	X	X
12	356177	TENSION DISC PRESSURE PLATE	X	X	X	X	X	X	X	X	X
13	356092-451	TENSION INDICATOR WITH STUD	X	X	X	X	X	X	X	X	X
14	356090-457	TENSION INDICATOR DIAL	X	X	X	X	X	X	X	X	X
15	356245	TENSION MECHANISM SUPPORT ASSEMBLY	X	X	X	X	X	X	X	X	X
16	445784	THREAD GUIDE (LOWER)	X	X	X	X	X	X	X	X	X
17	356094	TENSION DISC	X	X	X	X	X	X	X	X	X
18	356443	TENSION MECHANISM SHROUDER SCREW WASHER	X	X	X	X	X	X	X	X	X

HOOK SYSTEM



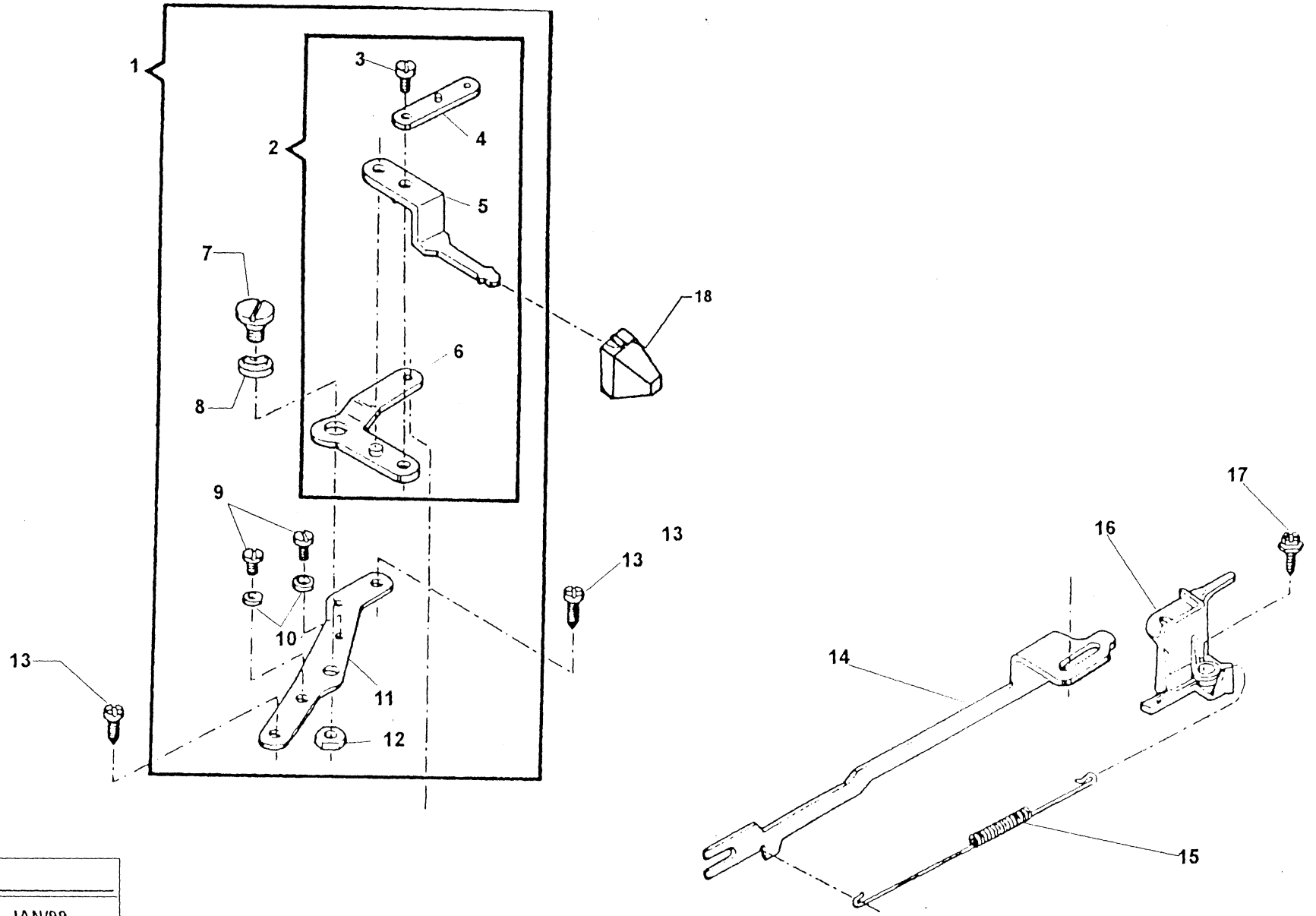
REV: _____
DATA: JAN/99

**PART LIST
HOOK SYSTEM**

**S F 5 C 5 F 5 5
M M 8 M 7 M 8 8
1 1 2 1 8 2 3 3
4 7 5 7 2 2 0 8
5**

REF. PART NBR	DESCRIPTION	
01 172336	ROTATING HOOK BOBBIN (PLASTIC)	X X X X X X X X
02 356490-451	ROTATING HOOK BOBBIN CASE TENSION SPRING SCREW	X X X X X X X X
03 314715	ROTATING HOOK BOBBIN CASE TENSION SPRING	X X X X X X X X
04 355254-451	ROTATING HOOK BOBBIN CASE TENSION REGULATING SCREW	X X X X X X X X
05 139975-452	ROTATING HOOK BOBBIN CASE TENSION SPRING SEGMENT SCREW	X X X X X X X X
06 421325	ROTATING HOOK BOBBIN CASE	X X X X X X X X
07 353511	ROTATING HOOK BOBBIN CASE RETAINING PLATE ASSEMBLY	X X X X X X X X
09 44892	ROTATING HOOK BOBBIN CASE RETAINING PLATE STUD SPRING	X X X X X X X X
) 446417	ROTATING HOOK BOBBIN CASE RETAINING PLATE RETAINING RING	X X X X X X X X
11 446235	ROTATING HOOK BELT DRIVE PULLEY	X X X X X X X X
12 141803-451	ROTATING HOOK BELT DRIVE PULLEY SCREW	X X X X X X X X
13 382861-906	ROTATING HOOK BELT DRIVE PULLEY WASHER	X X X X X X X X
14 353453	ROTATING HOOK WEAR WASHER	X X X X X X X X
15 353366	ROTATING HOOK COMPLETE	X X X X X X X X
16 354917-451	ROTATING HOOK BOBBIN CASE POSITION PLATE SCREW	X X X X X X X X
17 357349-451	ROTATING HOOK BOBBIN CASE RETAINING PLATE (ADJUSTABLE & POSITION PLATE) STUD	X X X X X X X X X X X X X X X X
18 44873-001	ROTATING HOOK BOBBIN CASE POSITION PLATE	X X X X X X X X
19 353410-900	ROTATING HOOK BUSHING	X X X X X X X X
20 141938-833	ROTATING HOOK BUSHING SET SCREW	X X X X X X X X
21 353367-451	ROTATING HOOK BUSHING SET SCREW NUT	X X X X X X X X
22 141844-451	ROTATING HOOK BUSHING ADJUSTING SCREW	X X X X X X X X
23 618638-005	ROTATING HOOK BUSHING ADJUSTING SCREW NUT	X X X X X X X X

BIGHT AMPLITUDE



REV: _____
DATA: JAN/99

**PART LIST
BIGHT AMPLITUDE**

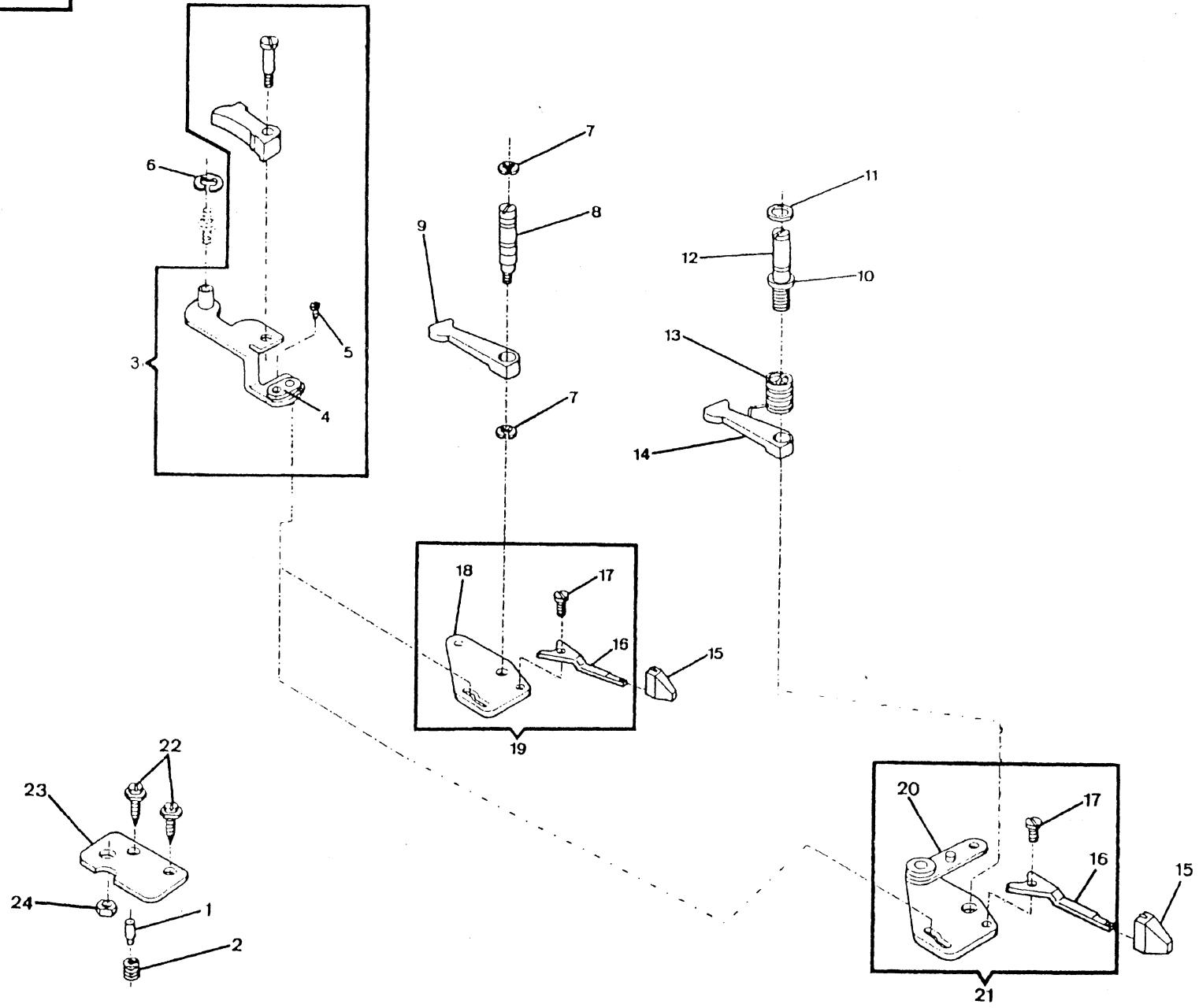
S F 5 C 5 F 5 5
M M 8 M 7 M 8 8
1 1 2 1 8 2 3 3
4 7 5 7 2 2 0 8
5

REF. PART NBR

DESCRIPTION

01	356057	BIGHT AMPLITUDE CONTROL LEVER MOUNTING BRACKET COMPLETE	X	X	-	-	-	-	-	-	-	-
01	356113	BIGHT AMPLITUDE CONTROL LEVER MOUNTING BRACKET COMPLETE	-	-	X	X	X	X	X	X	X	X
02	356058	BIGHT AMPLITUDE CONTROL LEVER SUB-ASSEMBLY	X	X	-	-	-	-	-	-	-	-
02	356114	BIGHT AMPLITUDE CONTROL LEVER SUB-ASSEMBLY	-	-	X	X	X	X	X	X	X	X
03	141913-451	BIGHT AMPLITUDE CONTROL LEVER SCREW	X	X	-	-	-	-	-	-	-	-
03	139866-451	BIGHT AMPLITUDE CONTROL LEVER SCREW	-	-	X	X	X	X	X	X	X	X
04	44556	BUTTONHOLER BIGHT CONTROL CAM FOLLOWER LEVER LINK (LEFT)	-	-	X	X	X	X	X	X	X	X
05	356061	BIGHT AMPLITUDE CONTROL LEVER	X	X	X	X	X	X	X	X	X	X
06	37246	BIGHT AMPLITUDE CONTROL LEVER LINK	X	X	X	X	X	X	X	X	X	X
07	354825-451	BIGHT AMPLITUDE CONTROL LEVER LINK HINGE SCREW	X	X	X	X	X	X	X	X	X	X
08	49204	BIGHT AMPLITUDE CONTROL LEVER LINK HINGE SCREW FRICTION WASHER	X	X	X	X	X	X	X	X	X	X
09	141913-451	BIGHT AMPLITUDE CONTROL LEVER LINK STOP SCREW	X	X	X	X	X	X	X	X	X	X
10	446904	BIGHT AMPLITUDE CONTROL LEVER LINK STOP	X	X	X	X	X	X	X	X	X	X
11	531793	BIGHT AMPLITUDE CONTROL LEVER MOUNTING BRACKET	X	X	X	X	X	X	X	X	X	X
12	54591-451	BIGHT AMPLITUDE CONTROL LEVER LINK HINGE SCREW NUT	X	X	X	X	X	X	X	X	X	X
13	113455-001	BIGHT AMPLITUDE CONTROL LEVER MOUNTING BRACKET SCREW	X	X	X	X	X	X	X	X	X	X
14	37933-002	NEEDLE BAR DRIVING ARM	X	X	X	X	X	X	X	X	X	X
15	37942	NEEDLE BAR DRIVING ARM TENSION SPRING	X	X	X	X	X	X	X	X	X	X
16	445780	LIGHT LEAD SHIELD & NEEDLE BAR DRIVING ARM TENSION SPRING MOUNTING PLATE	X	X	X	X	X	X	X	X	X	X
17	113455-001	LIGHT LEAD SHIELD & NEEDLE BAR DRIVING ARM TENSION SPRING MOUNTING PLATE SCREW	X	X	X	X	X	X	X	X	X	X
18	356204-453	CONTROL LEVER KNOB	X	X	X	X	X	X	X	X	X	X

NEEDLE POSITION



REV.: _____
DATA: JAN/99

**PART LIST
NEEDLE POSITION**

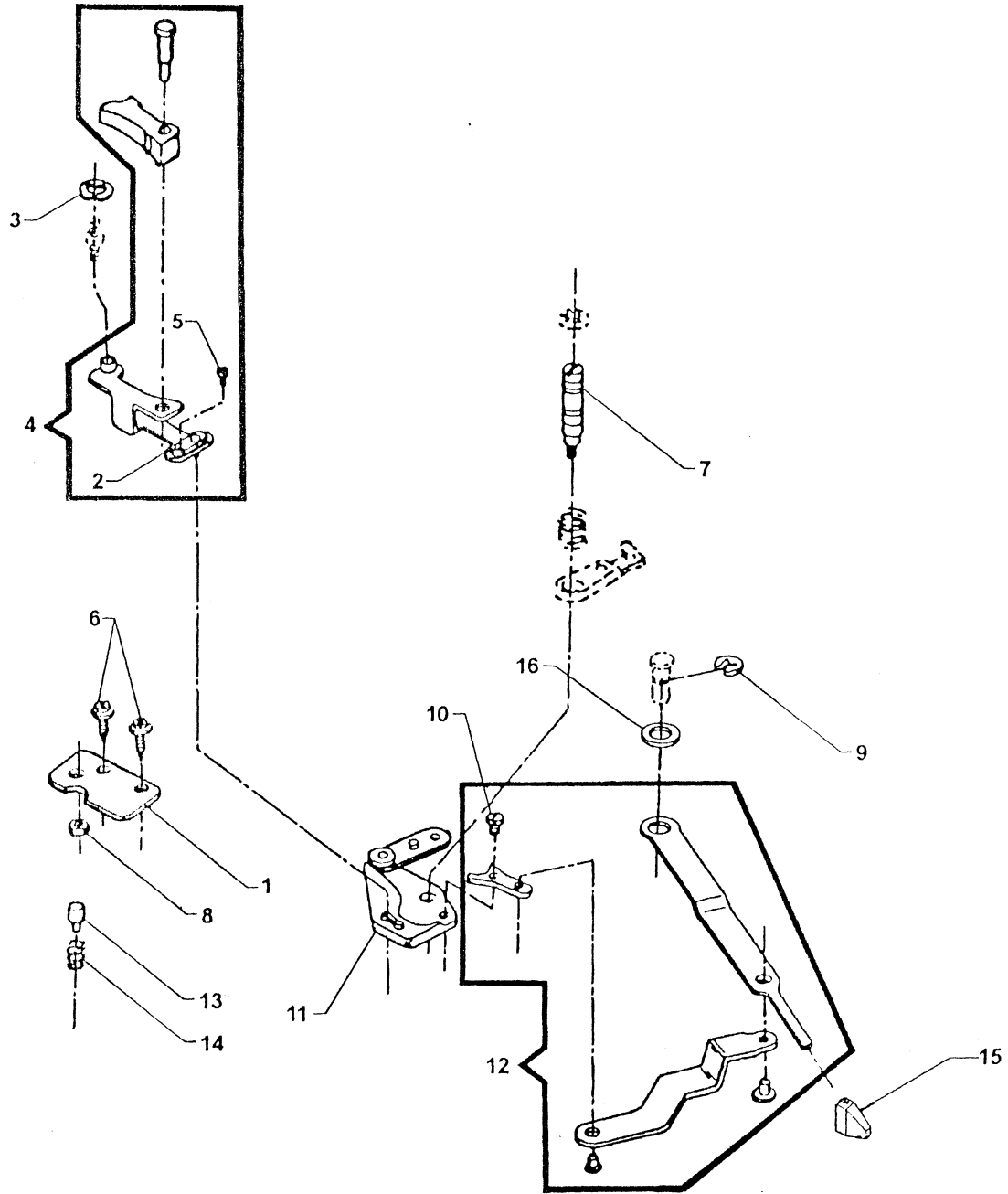
**S F 5 C 5 F 5 5
M M 8 M 7 M 8 8
1 1 2 1 8 2 3 3
4 7 5 7 2 2 0 8
5**

REF. PART NBR

DESCRIPTION

01	356228	NEEDLE POSITION SELECTOR LEVER BRACKET POSITIONING PIN	X	X	X	X	X	X	X	X	X	X
02	444800	NEEDLE POSITION SELECTOR LEVER BRACKET POSITIONING PIN SPRING	X	X	X	X	X	X	X	X	X	X
03	356636	NEEDLE BAR DRIVING ARM SLIDE BRACKET ASSEMBLY	X	X	X	X	X	X	X	X	-	
04	531736	NEEDLE POSITION SELECTOR LEVER BRACKET FOLLOWER STUD ARM ASSEMBLY	X	X	X	X	X	X	X	X	X	X
05	141913-451	NEEDLE POSITION LEVER BRACKET STUD ARM SET SCREW	X	X	X	X	X	X	X	X	X	X
06	445539	NEEDLE BAR VIBRATING BRACKET HINGE PIN RETAINING RING	X	X	X	X	X	X	X	X	X	X
07	44371	DISC FOLLOWER STUD RETAINING RING (UPPER & LOWER)	X	X	-	-	-	-	-	-	-	-
08	446023	DISC FOLLOWER STUD	X	X	-	-	-	-	-	-	-	-
09	445646	DISC FOLLOWER	X	X	-	-	-	-	-	-	-	-
10	353585	DISC FOLLOWER STUD COLLAR	-	-	X	X	X	X	X	X	X	X
11	353548	DISC FOLLOWER STUD WASHER	-	-	X	X	X	X	X	X	X	X
12	353584	DISC FOLLOWER STUD	-	-	X	X	X	X	X	X	-	
13	179897	DISC FOLLOWER SPRING	-	-	X	X	X	X	X	X	-	
14	446404	DISC FOLLOWER	-	-	X	X	X	X	X	X	-	
15	356204 453	NEEDLE POSITION SELECTOR LEVER KNOB	X	X	X	X	X	X	X	X	X	X
16	356065	NEEDLE POSITION SELECTOR LEVER	X	X	X	X	X	X	X	X	-	
17	141913-451	NEEDLE POSITION SELECTOR LEVER SCREW	X	X	X	X	X	X	X	X	X	X
18	353547	NEEDLE POSITION SELECTOR LEVER BRACKET	X	X	-	-	-	-	-	-	-	-
19	356063	NEEDLE POSITION SELECTOR LEVER ASSEMBLY	X	X	-	-	-	-	-	-	-	-
20	44628	NEEDLE POSITION SELECTOR LEVER BRACKET	X	-	X	X	X	X	X	X	X	X
21	356062	NEEDLE POSITION SELECTOR LEVER BRACKET COMPLETE	-	-	X	X	X	X	X	X	-	
22	113455-001	NEEDLE POSITION SELECTOR LEVER MOUNTING PLATE SCREW	X	X	X	X	X	X	X	X	X	X
23	446401	NEEDLE POSITION SELECTOR LEVER MOUNTING PLATE	X	X	X	X	X	X	X	X	X	X
24	54591-451	DISC FOLLOWER STUD NUT	X	X	X	X	X	X	X	X	X	X

NEEDLE POSITION



REV: _____
DATA: JAN/99

**PART LIST
NEEDLE POSITION**

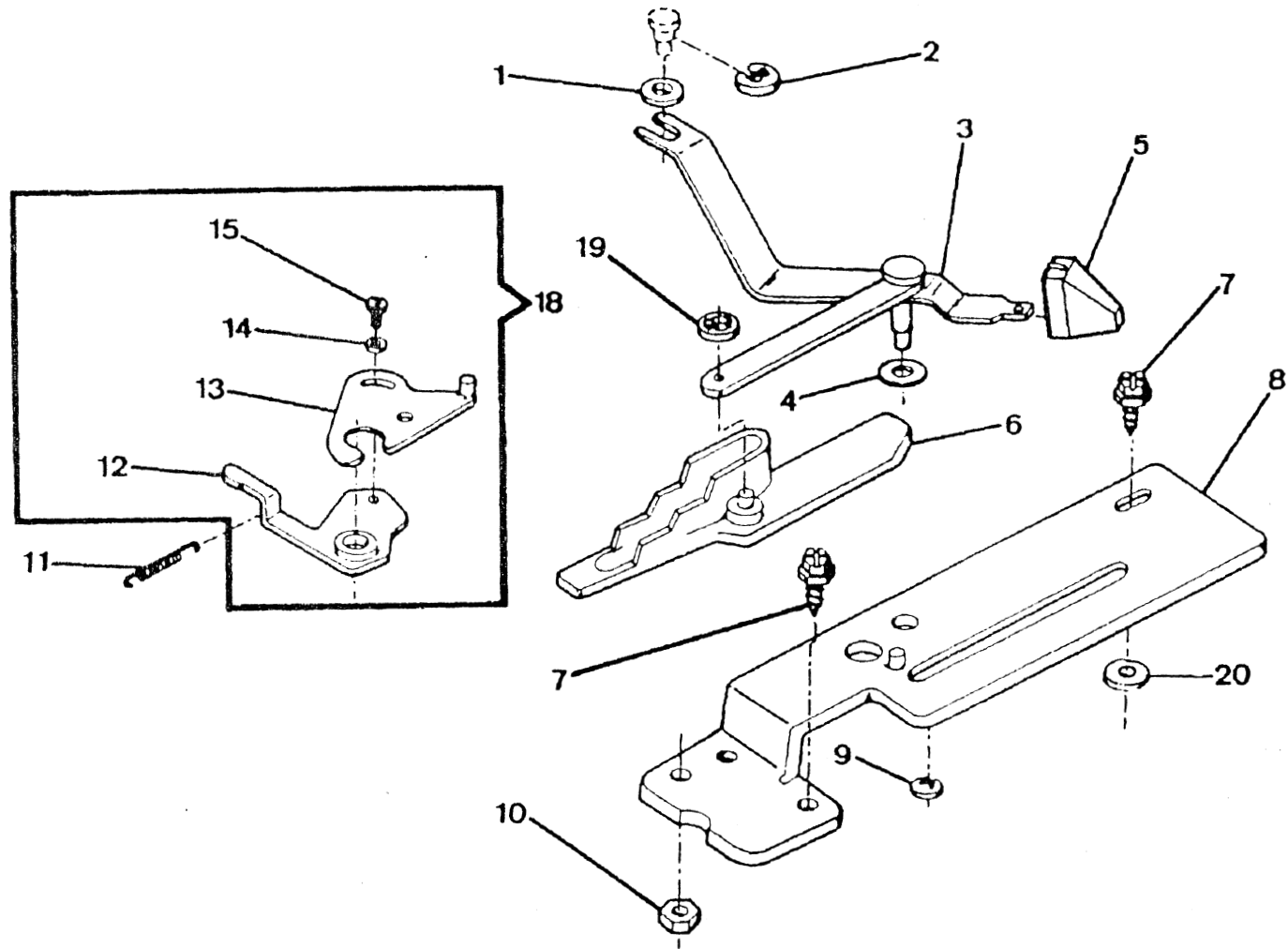
**S F 5 C 5 F 5 5
M M 8 M 7 M 8 8
1 1 2 1 8 2 3 3
4 7 5 7 2 2 0 8
5**

REF. PART NBR

DESCRIPTION

01	446401	NEEDLE POSITION SELECTOR LEVER ADJUSTING PLATE	X	X	X	X	X	X	X	X	X
02	531736	NEEDLE POSITION SELECTOR LEVER BRACKET FOLLOWER STUD ARM ASSEMBLY	X	X	X	X	X	X	X	X	X
03	445721	NEEDLE BAR DRIVING ARM SLIDE BRACKET RETAINING RING	X	X	X	X	X	X	X	X	X
04	356735-001	NEEDLE BAR DRIVING ARM SLIDE BRACKET COMPLETE	-	-	-	-	-	-	-	-	X
05	141913-451	NEEDLE POSITION LEVER BRACKET STUD ARM SET SCREW	X	X	X	X	X	X	X	X	X
06	113455-001	NEEDLE POSITION SELECTOR LEVER ADJUSTING PLATE SCREW	X	X	X	X	X	X	X	X	X
07	356774-900	DISC FOLLOWER STUD	-	-	-	-	-	-	-	-	X
08	54591-451	NEEDLE POSITION SELECTOR LEVER ADJUSTING PLATE SCREW NUT	X	X	X	X	X	X	X	X	X
09	445486	NEEDLE POSITION SELECTOR LEVER RETAINING RING	-	-	-	-	-	-	-	-	X
10	141913 451	NEEDLE POSITION SELECTOR LEVER SCREW	X	X	X	X	X	X	X	X	X
	44628	NEEDLE POSITION SELECTOR LEVER BRACKET ASSEMBLY	X	X	X	X	X	X	X	X	X
12	356812	NEEDLE POSITION SELECTOR LEVER COMPLETE	-	-	-	-	-	-	-	-	X
13	356228	NEEDLE POSITION SELECTOR LEVER BRACKET POSITIONING PIN	X	X	X	X	X	X	X	X	X
14	444800	NEEDLE POSITION SELECTOR LEVER BRACKET POSITIONING PIN SPRING	X	X	X	X	X	X	X	X	X
15	356204-453	NEEDLE POSITION SELECTOR LEVER KNOB	X	X	X	X	X	X	X	X	X
16	49204	NEEDLE POSITION SELECTOR LEVER HINGE STUD WASHER	-	-	-	-	-	-	-	-	X

PATTERN SELECTOR ASSEMBLY



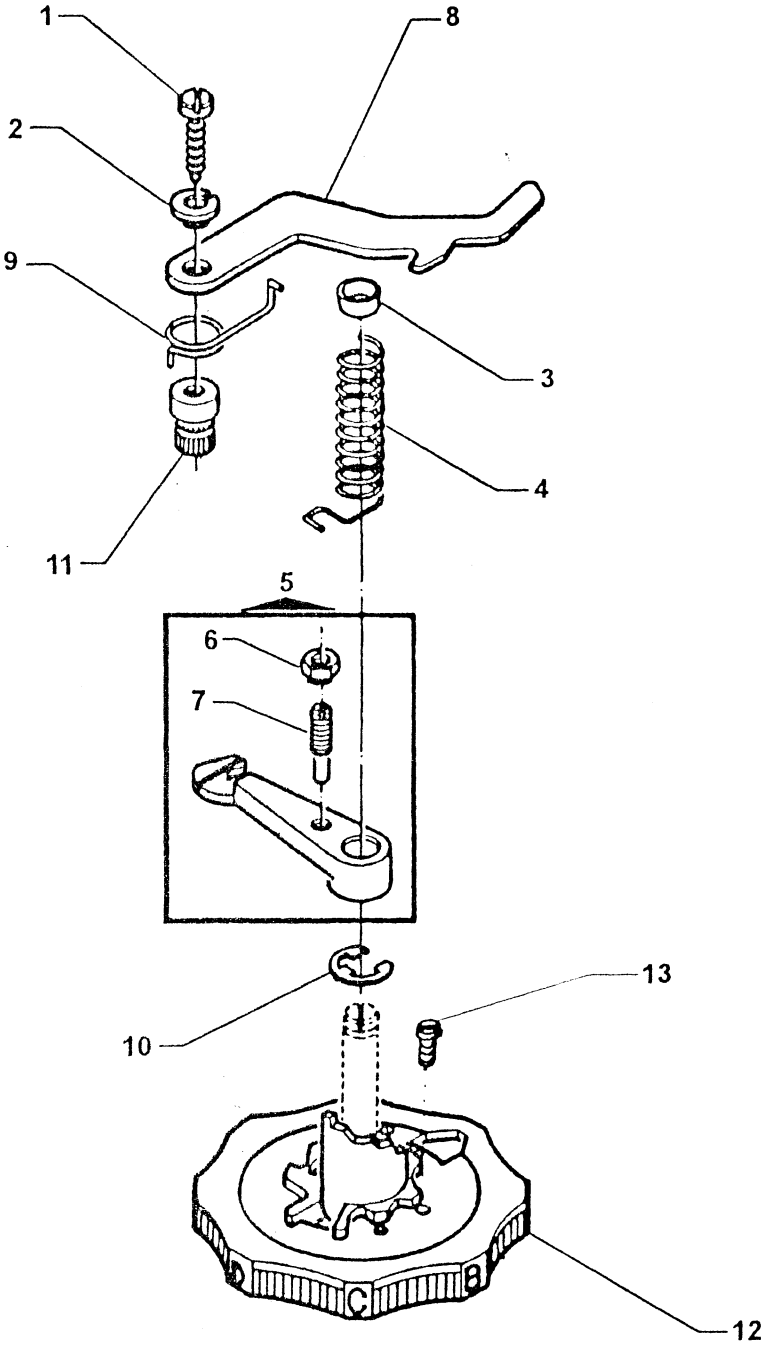
REV: _____
DATA: JAN/99

PART LIST
PATTERN SELECTOR ASSEMBLY

S F 5 C 5 F 5 5
M M 8 M 7 M 8 8
1 1 2 1 8 2 3 3
4 7 5 7 2 2 0 8
5

REF. PART NBR	DESCRIPTION									
01 444923-453	PATTERN SELECTOR LEVER HINGE STUD WASHER	-	-	X	X	X	X	X	X	X
02 445486	PATTERN SELECTOR LEVER RETAINING RING	-	-	X	X	X	X	X	X	X
3 356069	PATTERN SELECTOR LEVER COMPLETE	-	-	X	X	X	X	X	X	X
04 446138	PATTERN SELECTOR DRIVE STUD WASHER	-	-	X	X	X	X	X	X	X
05 356204-453	NEEDLE POSITION SELECTOR LEVER KNOB	-	-	X	X	X	X	X	X	X
06 446406	PATTERN SELECTOR CAM SLIDE	-	-	X	X	X	X	X	X	-
07 113455-001	PATTERN SELECTOR MOUNTING PLATE SCREW	-	-	X	X	X	X	X	X	X
08 446405	PATTERN SELECTOR MOUNTING PLATE COMPLETE	-	-	X	X	X	X	X	X	X
09 408030	PATTERN SELECTOR LEVER RETAINING RING	-	-	X	X	X	X	X	X	X
10 54591-451	DISC FOLLOWER STUD NUT	-	-	X	X	X	X	X	X	X
11 446415	DISC FOLLOWER DISENGAGING LEVER SPRING	-	-	X	X	X	X	X	X	X
12 446412	DISC FOLLOWER DISENGAGING LEVER	-	-	X	X	X	X	X	X	X
13 446411	DISC FOLLOWER DISENGAGING LEVER PLATE ASSEMBLY	-	-	X	X	X	X	X	X	X
14 445808-452	DISC FOLLOWER DISENGAGING LEVER PLATE ADJUSTING SCREW WASHER	-	-	X	X	X	X	X	X	X
15 141913-451	DISC FOLLOWER DISENGAGING LEVER PLATE ADJUSTING SCREW	-	-	X	X	X	X	X	X	X
18 446410	DISC FOLLOWER DISENGAGING LEVER PLATE COMPLETE	-	-	X	X	X	X	X	X	X
19 446417	PATTERN SELECTOR CAM SLIDE CONNECTING LINK RETAINING RING	-	-	X	X	X	X	X	X	X
20 353488	PATTERN SELECTOR MOUNTING PLATE SPACER	-	-	X	X	X	X	X	X	X

PATTERN SELECTOR



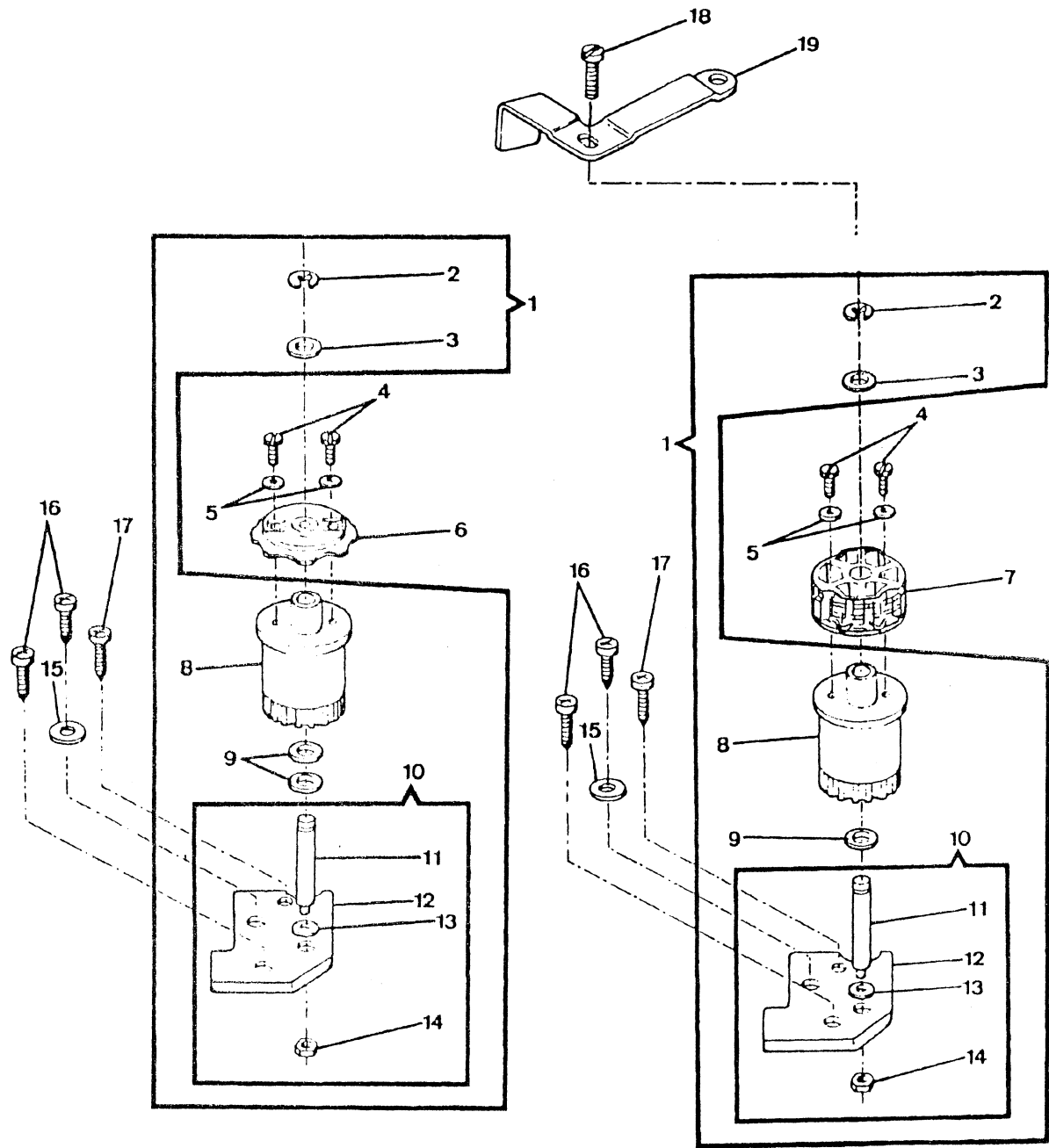
REV: _____
DATA: JAN

**PART LIST
PATTERN SELECTOR**

**S F 5 C 5 F 5 5
M M 8 M 7 M 8 8
1 1 2 1 8 2 3 3
4 7 5 7 2 2 0 8
5**

REF. PART NBR	DESCRIPTION									
01 354826-451	DISC FOLLOWER DISENGAGING LEVER SCREW	-	-	-	-	-	-	-	-	X
02 356751	DISC FOLLOWER DISENGAGING LEVER BUSHING	-	-	-	-	-	-	-	-	X
03 353548	DISC FOLLOWER STUD WASHER	-	-	-	-	-	-	-	-	X
04 356768	DISC FOLLOWER SPRING	-	-	-	-	-	-	-	-	X
05 356770	DISC FOLLOWER COMPLETE	-	-	-	-	-	-	-	-	X
06 531669-451	DISC FOLLOWER ADJUSTING SCREW STUD NUT	-	-	-	-	-	-	-	-	X
07 445341	DISC FOLLOWER ADJUSTNG SCREW STUD	-	-	-	-	-	-	-	-	X
08 356750	DISC FOLLOWER DISENGAGING LEVER	-	-	-	-	-	-	-	-	X
09 356752	DISC FOLLOWER DISENGAGING LEVER SPRING	-	-	-	-	-	-	-	-	X
10 444921	DISC SELECTOR CAM RETAINING RING	-	-	-	-	-	-	-	-	X
11 356753	DISC FOLLOWER DISENGAGING LEVER STUD	-	-	-	-	-	-	-	-	X
12 356749-461	PATTERN SELECTOR CAM/DIAL	-	-	-	-	-	-	-	-	X
13 354810-451	PATTERN SELECTOR CAM POSITIONER SCREW	-	-	-	-	-	-	-	-	X

CAM STACK



REV.: _____
DATA: JAN/99

**PART LIST
CAM STACK**

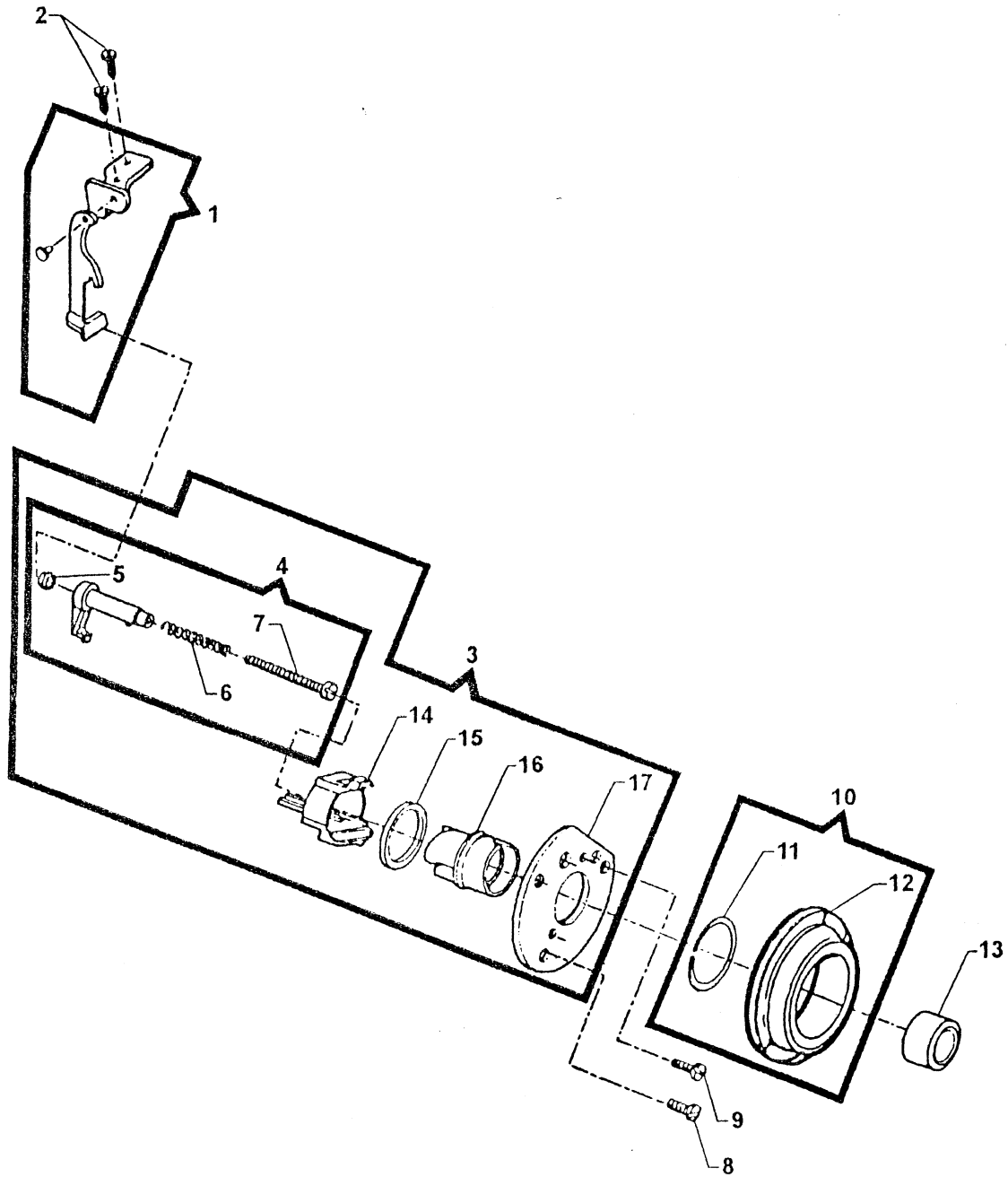
**S F 5 C 5 F 5 5
M M 8 M 7 M 8 8
1 1 2 1 8 2 3 3
4 7 5 7 2 2 0 8
5**

REF. PART NBR

DESCRIPTION

01	446421-930	DISC DRIVING GEAR COMPLETE	X	X	-	-	-	-	-	-	-	-
01	353288-930	DISC DRIVING GEAR COMPLETE	-	-	X	X	-	-	-	-	-	-
01	353288-931	DISC DRIVING GEAR COMPLETE	-	-	-	-	X	X	X	-	-	-
01	356739	DISC DRIVING GEAR COMPLETE	-	-	-	-	-	-	-	-	-	X
02	444921	DISC DRIVING GEAR RETAINING RING	X	X	X	X	X	X	X	X	X	X
03	444923-453	DISC DRIVING GEAR SHAFT FRICTION WASHER	X	X	X	X	X	X	X	X	X	X
04	113375-451	DISC STACK POSITIONING SCREW	X	X	-	-	-	-	-	-	-	-
04	141920-452	DISC STACK POSITIONING SCREW	-	-	X	X	X	X	X	X	X	X
05	446138	DISC STACK POSITIONING SCREW WASHER	X	X	X	X	X	X	X	X	X	X
06	445762	DISC STACK (PLASTIC)	X	X	-	-	-	-	-	-	-	-
07	353287	DISC STACK	-	-	X	X	X	X	X	-	-	-
07	356740	DISC STACK	-	-	-	-	-	-	-	-	-	X
08	179958	DISC DRIVING GEAR	X	X	-	-	-	-	-	-	-	-
08	445754	DISC DRIVING GEAR	-	-	X	X	X	X	X	-	-	-
08	356741	DISC DRIVING GEAR	-	-	-	-	-	-	-	-	-	X
09	353424	DISC DRIVING GEAR SHAFT SPACER	X	X	X	X	X	X	X	X	X	X
10	446420	DISC DRIVING GEAR SHAFT MOUNTING PLATE ASSEMBLY	X	X	X	X	-	-	-	-	-	-
10	446420-001	DISC DRIVING GEAR SHAFT MOUNTING PLATE ASSEMBLY	-	-	-	-	X	X	X	-	-	-
10	531742	DISC DRIVING GEAR SHAFT MOUNTING PLATE ASSEMBLY	-	-	-	-	-	-	-	-	-	X
11	446418	DISC DRIVING GEAR SHAFT	X	X	X	X	-	-	-	-	-	-
11	446418 001	DISC DRIVING GEAR SHAFT	-	-	-	-	X	X	X	-	-	-
11	531743	DISC DRIVING GEAR SHAFT	-	-	-	-	-	-	-	-	-	X
12	353575	DISC DRIVING GEAR SHAFT MOUNTING PLATE	X	X	X	X	X	X	X	X	X	X
13	353488	DISC DRIVING GEAR SHAFT WASHER	X	X	X	X	X	X	X	X	X	X
14	53648-451	DISC DRIVING GEAR SHAFT NUT	X	X	X	X	X	X	X	X	X	X
15	353375-451	DISC DRIVING GEAR SHAFT MOUNTING PLATE SCREW WASHER	X	X	X	X	X	X	X	X	X	X
16	113435-451	DISC DRIVING GEAR SHAFT MOUNTING PLATE SCREW	X	X	X	X	X	X	X	X	X	X
17	113455-001	DISC DRIVING GEAR SHAFT MOUNTING PLATE SCREW	X	X	X	X	X	X	X	X	X	X
18	354654-451	DISC DRIVING GEAR (COMPLETE) SUPPORT MOUNTING SCREW	-	-	-	-	X	X	X	X	-	-
19	353440-900	DISC DRIVING GEAR (COMPLETE) SUPPORT BRACKET	-	-	-	-	X	X	X	-	-	-
19	356778	DISC DRIVING GEAR (COMPLETE) SUPPORT BRACKET	-	-	-	-	-	-	-	-	-	X

FEED REGULATOR CAM



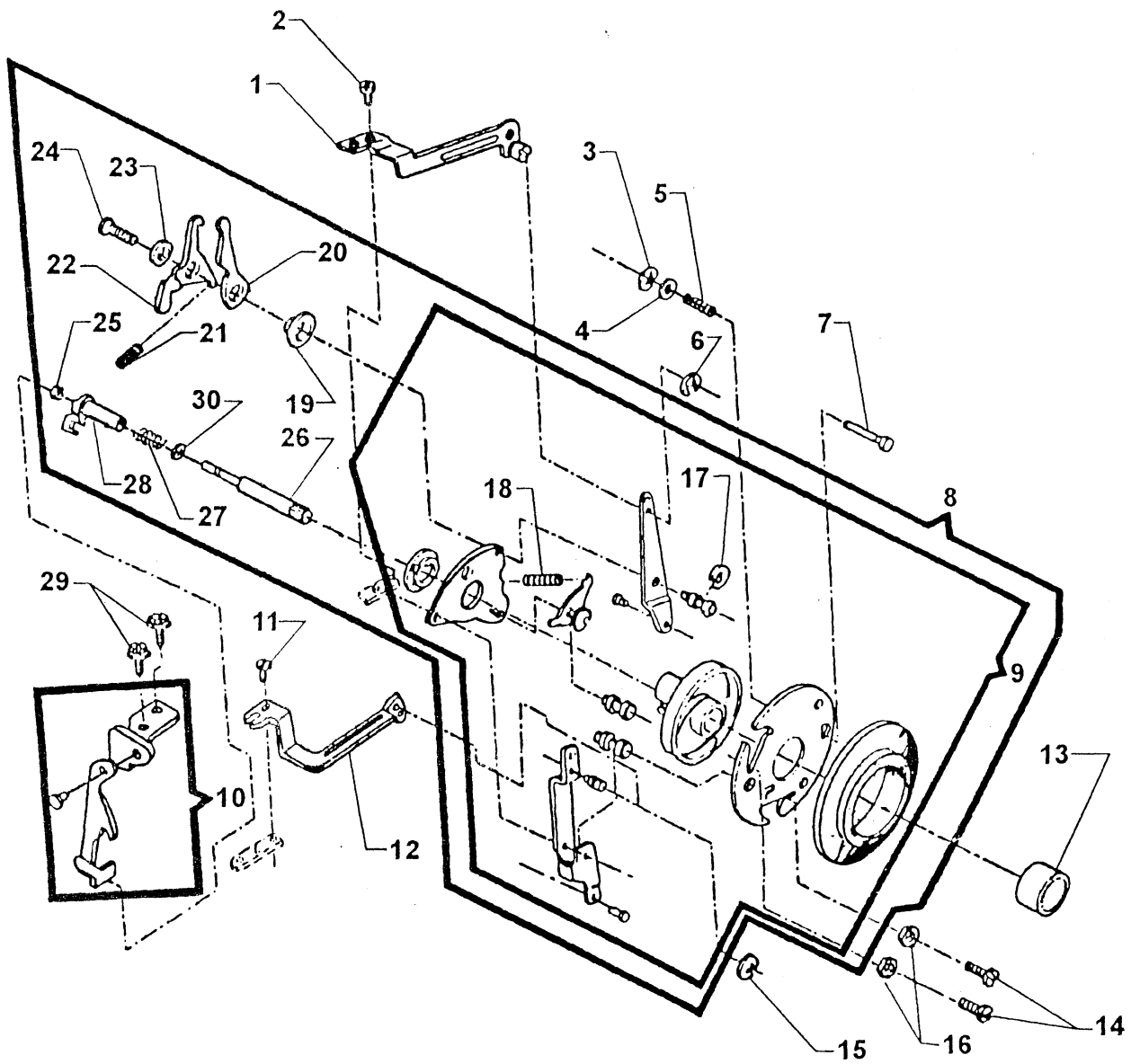
REV: _____
DATA: JAN/99

**PART LIST
FEED REGULATOR CAM**

**S F 5 C 5 F 5 5
M M 8 M 7 M 8 8
1 1 2 1 8 2 3 3
4 7 5 7 2 2 0 8
5**

REF. PART NBR	DESCRIPTION																			
01 353304	FEED REGULATOR CONTROL ARM ASSEMBLY	X	X	X	X	X	X	X	X	X	X	X	X	X	X	X	X	X	X	X
02 113455-001	FEED REGULATOR CONTROL DIAL MOUTING BRACKET SCREW	X	X	X	X	X	X	X	X	X	X	X	X	X	X	X	X	X	X	X
03 353478	FEED REGULATOR CAM COMPLETE	X	X	-	-	-	-	-	-	-	-	-	-	-	-	-	-	-	-	-
04 356397	FEED REGULATOR CAM FOLLOWER	X	X	-	-	-	-	-	-	-	-	-	-	-	-	-	-	-	-	-
05 618638-005	FEED REGULAOR CAM FOLLOWER POSITIONING SPRING NUT	X	X	X	X	X	X	X	X	X	X	X	X	X	X	X	X	X	X	X
; 44892	FEED REGULATOR CAM FOLLOWER POSITIONING SPRING	X	X	X	X	X	X	X	X	X	X	X	X	X	X	X	X	X	X	X
07 354975-451	FEED REGULATOR CAM FOLLOWER POSITIONING SCREW	X	X	-	-	-	-	-	-	-	-	-	-	-	-	-	-	-	-	-
08 531806-451	FEED REGULATOR MOUTING PLATE SCREW (RIGHT)	X	X	-	-	-	-	-	-	-	-	-	-	-	-	-	-	-	-	-
09 531807-451	FEED REGULATOR MPUTING PLATE SCREW (LEFT)	X	X	-	X	X	-	-	-	-	-	-	-	-	-	-	-	-	-	-
10 356998-451	FEED REGULATOR CONTROL DIAL ASSEMBLY	X	X	-	-	-	-	-	-	-	-	-	-	-	-	-	-	-	-	-
11 445461	FEED REGULATOR CONTROL DIAL RETAINING RING	X	X	-	-	-	-	-	-	-	-	-	-	-	-	-	-	-	-	-
12 356997-451	FEED REGULATOR CONTROL DIAL	X	X	-	-	-	-	-	-	-	-	-	-	-	-	-	-	-	-	-
13 356115-452	FEED REGULATOR POSITIONING PIN KNOB	X	X	-	-	-	-	-	-	-	-	-	-	-	-	-	-	-	-	-
14 446284	FEED REGULATOR MOUTING PLATE	X	X	-	-	-	-	-	-	-	-	-	-	-	-	-	-	-	-	-
15 446282	FEED REGULATOR FRICTION WASHER	X	X	-	-	-	-	-	-	-	-	-	-	-	-	-	-	-	-	-
16 353477	FEED REGULATOR CAM	X	X	-	-	-	-	-	-	-	-	-	-	-	-	-	-	-	-	-
17 446283	FEED REGULATOR MECHANISM MOUTING PLATE	X	X	-	-	-	-	-	-	-	-	-	-	-	-	-	-	-	-	-

BUTTONHOLER & FEED REGULATOR CAM



REV: _____
DATA: JAN/99

PART LIST
BUTTONHOLER & FEED REGULATOR CAM

S F 5 C 5 F 5 5
M M 8 M 7 M 8 8
1 1 2 1 8 2 3 3
4 7 5 7 2 2 0 8
5

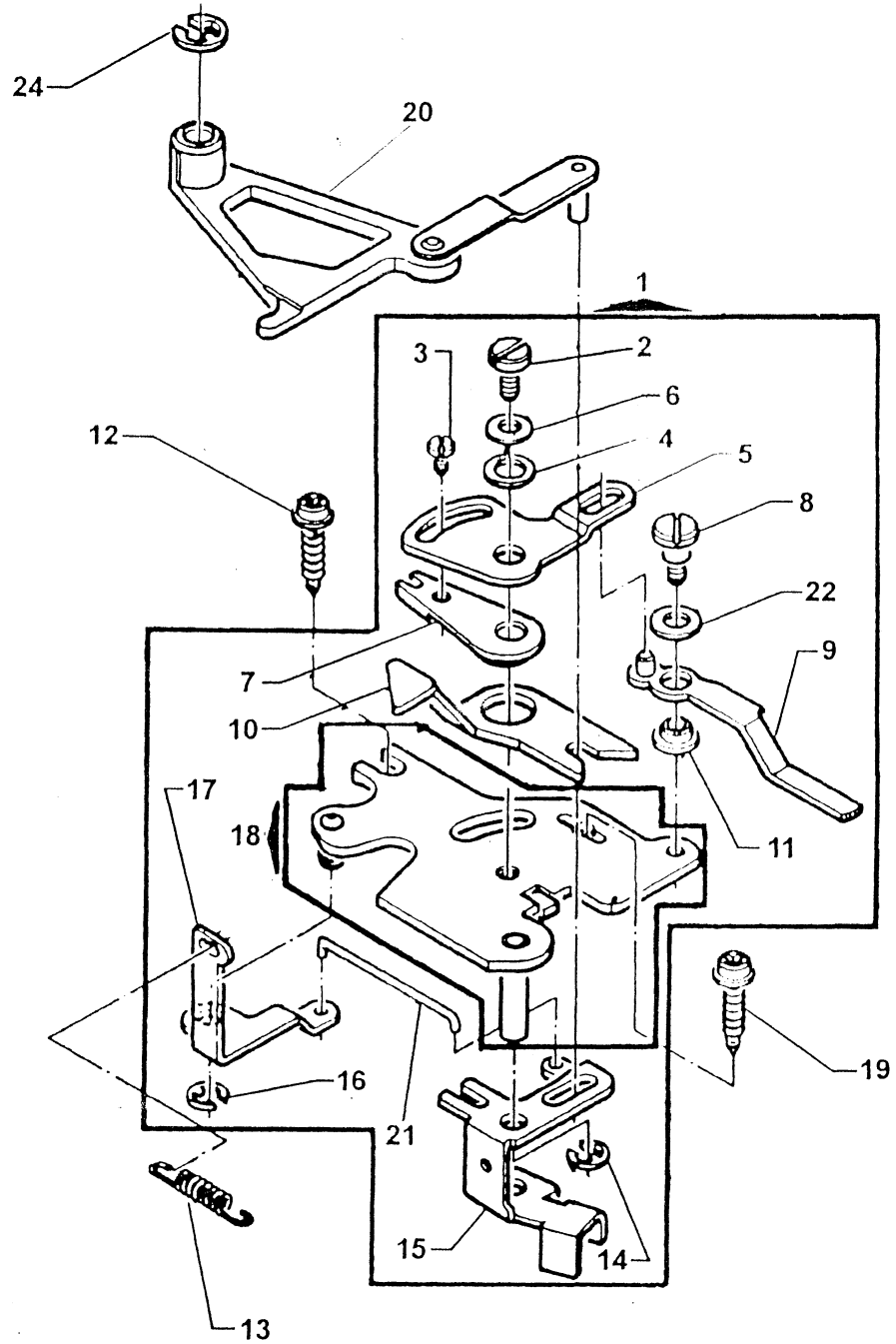
REF. PART NBR	DESCRIPTION								
01 353536	BUTTONHOLER NEEDLE POSITION CAM FOLLOWER LEVER LINK (RIGHT)	-	-	X	X	X	X	X	X
02 141913-451	BUTTONHOLER NEEDLE POSITION CAM FOLLOWER LEVER LINK (LEFT & RIGHT) SCREW	-	-	X	X	X	X	X	X
03 408030	BUTTONHOLER & FEED REGULATOR MECHANISM MOUNTING PLATE STUD RETAINING RING	-	-	X	X	X	X	X	X
04 445808	BUTTONHOLER & FEED REGULATOR MECHANISM MOUNTING PLATE STUD SPRING WASHER	-	-	X	X	X	X	X	X
05 179949	BUTTONHOLER & FEED REGULATOR MECHANISM MOUNTING PLATE STUD SPRING	-	-	X	X	X	X	X	X
06 445486	BUTTONHOLER BIGHT CONTROL CAM FOLLOWER LEVER LINK (RIGHT) RETAINING RING	-	-	X	X	X	X	X	X
07 356230	BUTTONHOLER & FEED REGULATOR MECHANISM MOUNTING PLATE STUD	-	-	X	X	X	X	X	X
08 357010-XXX	BUTTONHOLER & FEED REGULATOR CAM COMPLETE	-	-	-	-	X	X	X	X
08 357012-XXX	BUTTONHOLER & FEED REGULATOR CAM COMPLETE	-	-	X	X	-	-	-	-
09 357011-XXX	BUTTONHOLER & FEED REGULATOR CAM COMPLETE	-	-	-	-	X	X	X	X
09 357013-XXX	BUTTONHOLER & FEED REGULATOR CAM COMPLETE	-	-	X	X	-	-	-	-
10 353304	FEED REGULATOR CONTROL ARM ASSEMBLY	X	X	X	X	X	X	X	X
11 141913-451	BUTTONHOLER BIGHT CONTROL CAM FOLLOWER LEVER LINK (LEFT & RIGHT) SCREW	-	-	X	X	X	X	X	X
12 356748	BUTTONHOLER BIGHT CONTROL CAM FOLLOWER LEVER LINK (RIGHT)	-	-	X	X	X	X	X	X
13 356653-XXX	FEED REGULATOR POSITIONING PIN KNOB	-	-	X	X	X	X	X	X
14 113513-451	BUTTONHOLER & FEED REG. MECHANISM MOUNTING PLATE SCREW	-	-	X	X	X	X	X	X
15 445486	BUTTONHOLER BIGHT CONTROL CAM FOLLOWER LEVER LINK (RIGHT) RETAINING RING	-	-	X	X	X	X	X	X
16 53640-819	BUTTONHOLER & FEED REGULATOR MECHANISM MOUNTING PLATE SCREW NUT	-	-	X	X	X	X	X	X
17 353215	BUTTONHOLER NEEDLE POSITION CAM FOLLOWER LEVER RETAINING RING	-	-	X	X	X	X	X	X
18 353495	BUTTONHOLER & FEED REGULATOR CONTROL DIAL PAWL SPRING	-	-	X	X	X	X	X	X
19 353319	CAM CONTROL FEED ENGAGING CAM FOLLOWER & LEVER BUSHING	-	-	X	X	X	X	X	X
20 353321	CAM CONTROL FEED ENGAGING CAM FOLLOWER LEVER	-	-	X	X	X	X	X	X
21 353495	CAM CONTROL FEED ENGAGING CAM FOLLOWER & LEVER SPRING	-	-	X	X	X	X	X	X
22 353320	CAM CONTROL FEED ENGAGING CAM FOLLOWER	-	-	X	X	X	X	X	X
23 445539	CAM CONTROL FEED ENGAGING CAM FOLLOWER & LEVER SCREW	-	-	X	X	X	X	X	X
24 113372-451	CAM CONTROL FEED ENGAGING CAM FOLLOWER & LEVER MOUNTING SCREW	-	-	X	X	X	X	X	X
25 618638-005	FEED REGULATOR POSITIONING PIN CARRIER INSERT NUT	-	-	X	X	X	X	X	X
26 356650	FEED REGULATOR POSITIONING PIN	-	-	X	X	X	X	X	X
27 44892	FEED REGULATOR POSITIONING PIN FRICTION SPRING	-	-	X	X	X	X	X	X
28 357094	FEED REGULATOR POSITIONING PIN CARRIER	-	-	X	X	X	X	X	X
29 113455-001	FEED REGULATOR CONTROL ARM SCREW	X	X	X	X	X	X	X	X
30 356830-001	FEED REGULATOR POSITIONING PIN WASHER	-	-	X	X	X	X	X	X

NOTE: PLEASE WHEN NEED THE PART NUMBER(—XXX), INDICATE THE MACHINE MODEL WHERE WILL BE USED

SM-14, FM17, 5825, CM-17, 57825, FM-22, 5830, 5838 Models.
P/N 357675-001.

Adopt.

CAM CONTROLLED FEED



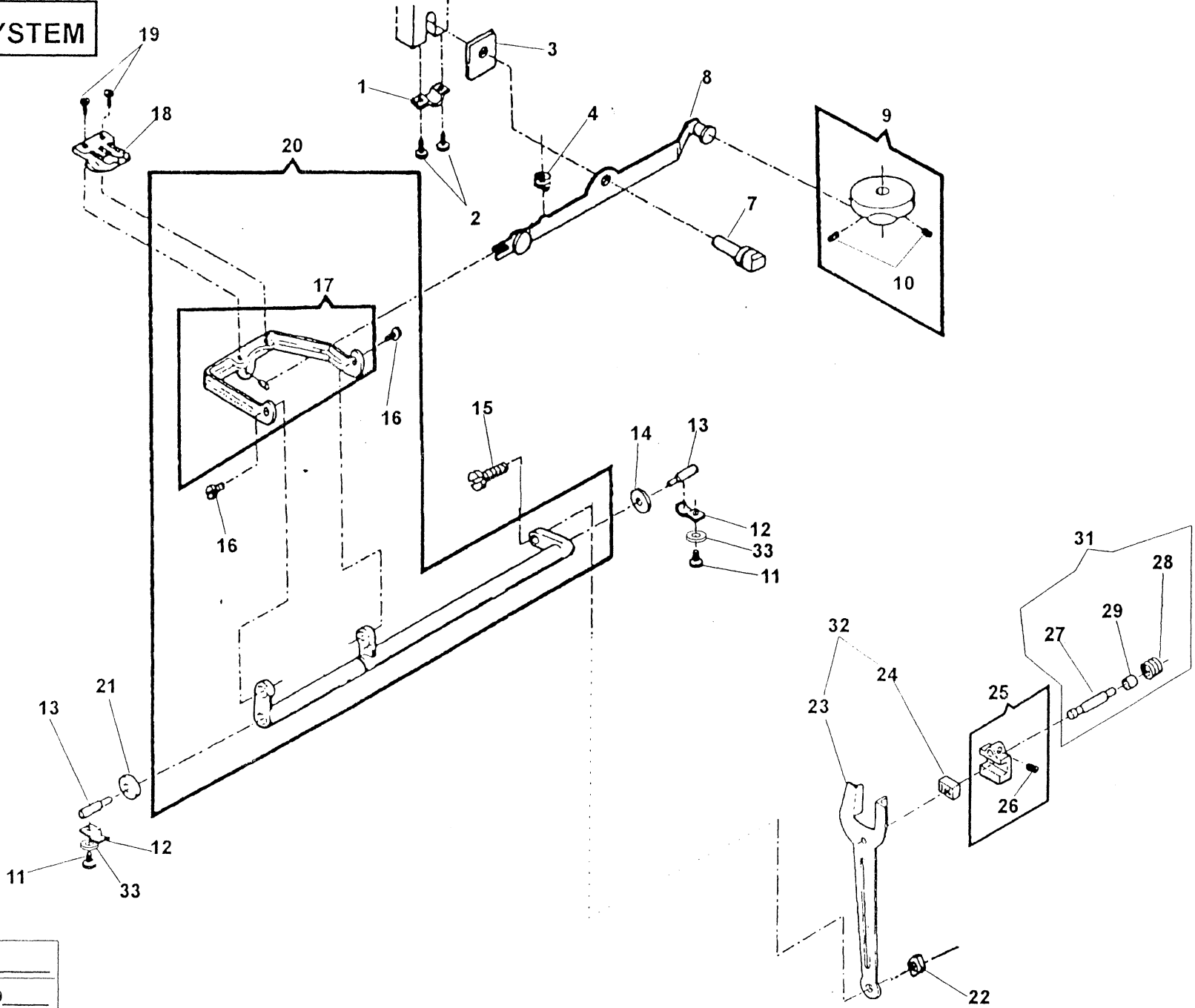
REV: _____
DATA: JAN/99

PART LIST
CAM CONTROLLED FEED

S F 5 C 5 F 5 5
M M 8 M 7 M 8 8
1 1 2 1 8 2 3 3
4 7 5 7 2 2 0 8
5

REF. PART NBR	DESCRIPTION								
01 356074	CAM CONTROLLED FEED MOUNTING BRACKET COMPLETE	-	-	-	-	X	X	X	X
02 113423-451	CAM CONTROLLED FEED BALANCE ADJUSTING PLATE HINGE SCREW	-	-	-	-	X	X	X	X
03 141913-451	CAM CONTROLLED FEED BALANCE ADJUSTING SCREW	-	-	-	-	X	X	X	X
04 353492	CAM CONTROLLED FEED BALANCE ADJUSTING SCREW SPRING WASHER	-	-	-	-	X	X	X	X
05 531754	CAM CONTROLLED FEED BALANCE ADJUSTING PLATE	-	-	-	-	X	X	X	X
06 543531	CAM CONTROLLEDD FEED BALANCE ADJUSTING SCREW WASHER	-	-	-	-	X	X	X	X
07 353331	CAM CONTROLLED FEED DRIVING ARM ECCENTRIC	-	-	-	-	X	X	X	X
08 113424-451	CAM CONTROLLED FEED BALANCE ADJUSTING LEVER HINGE SCREW	-	-	-	-	X	X	X	X
09 356076-452	CAM CONTROLLED FEED BALANCE ADJUSTING LEVER ASSEMBLY	-	-	-	-	X	X	X	X
10 353330-001	CAM CONTROLLED FEED DRIVING ARM	-	-	-	-	X	X	X	X
11 353334	CAM CONTROLLED FEED BALANCE ADJUSTING LEVER MOUNTING BUSHING	-	-	-	-	X	X	X	X
12 355243-451	CAM CONTROLLED FEED MOUNTING BRACKET SCREW	-	-	-	-	X	X	X	X
13 356605	FEED REGULATOR CONTROL ARM BIAS LINK SPRING	-	-	-	-	X	X	X	X
14 445721	CAM CONTROLLED FEED ENGAGING CRANK RETAINING RING	-	-	-	-	X	X	X	X
15 353329	CAM CONTROLLED FEED ENGAGING CRANK	-	-	-	-	X	X	X	X
16 445486	CAM CONTROLLED FEED FOLLOWER & LINK RETAINING RING	-	-	-	-	X	X	X	X
17 356166	CAM CONTROLLED FEED ENGAGING CRANK LEVER	-	-	-	-	X	X	X	X
18 531750	CAM CONTROLLED FEED MOUNTING BRACKET ASSEMBLY	-	-	-	-	X	X	X	X
19 113455-003	CAM CONTROLLED FEED MOUNTING BRACKET SCREW (RIGHT)	-	-	-	-	X	X	X	X
20 356839	CAM CONTROLLED FEED FOLLOWER & LINK ASSEMBLY	-	-	-	-	-	-	-	X
20 353335	CAM CONTROLLED FEED FOLLOWER & LINK ASSEMBLY	-	-	-	-	X	X	X	-
21 353473	CAM CONTROLLED FEED ENGAGING CRANK LINK	-	-	-	-	X	X	X	X
22 179898-001	CAM CONTROLLED FEED BALANCE ADJUSTING LEVER WASHER	-	-	-	-	X	X	X	X
24 445486	CAM CONTROLLED FEED FOLLOWER & LINK ASSEMBLY RETAINING RING	-	-	X	X	X	X	X	X

FEED SYSTEM



REV: _____
DATA: __JAN/99__

**PART LIST
FEED SYSTEM**

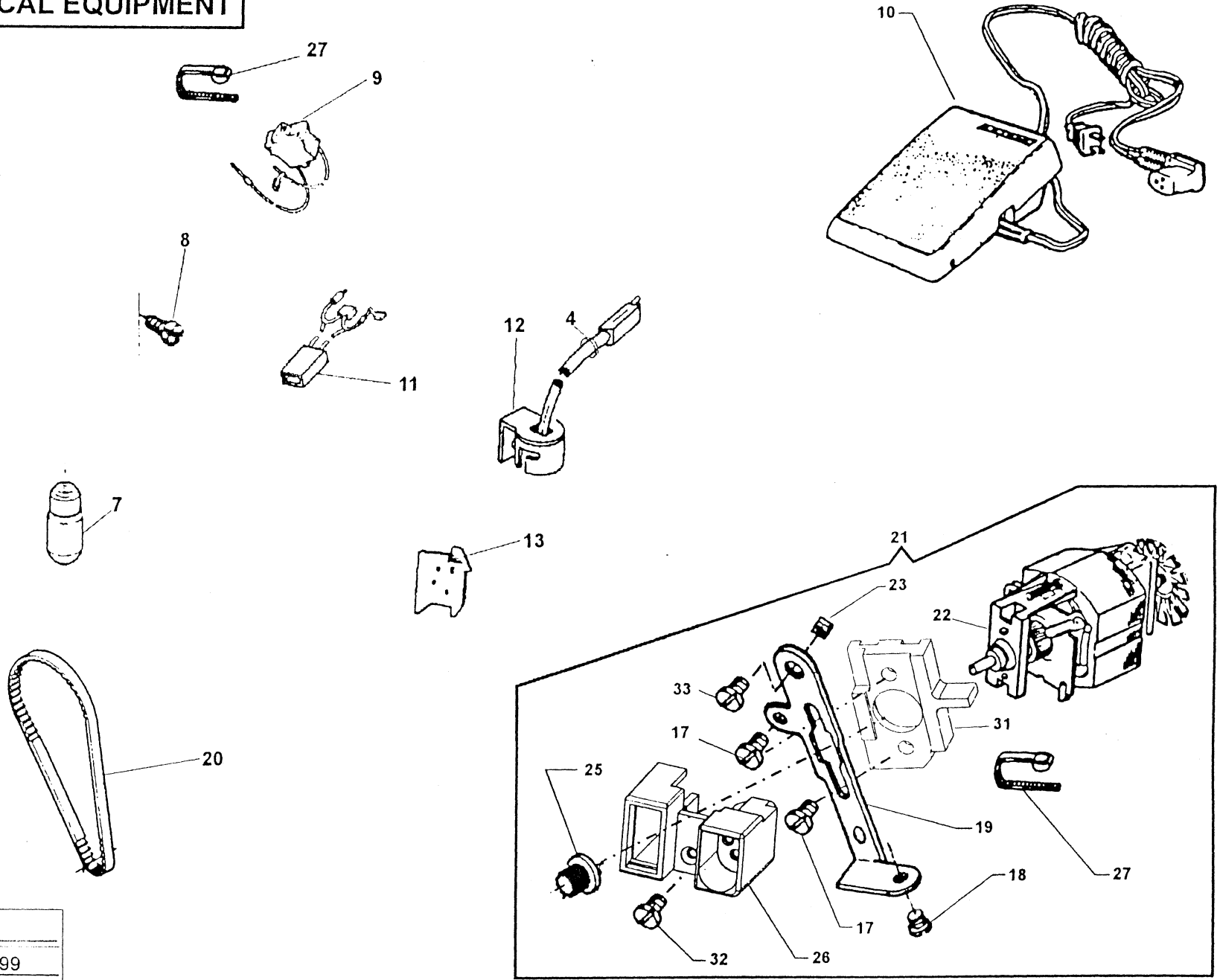
**S F 5 C 5 F 5 5
M M 8 M 7 M 8 8
1 1 2 1 8 2 3 3
4 7 5 7 2 2 0 8
5**

REF. PART NBR	DESCRIPTION	
01 446485	FEED LIFTING LEVER HINGE STUD (ECCENTRIC) CLAMP	X X X X X X X X
02 113455-001	FEED LIFTING LEVER HINGE STUD (ECCENTRIC) CLAMP SCREW	X X X X X X X X
03 179955	FEED LIFTING LEVER HINGE STUD (ECCENTRIC) SPACER	X X X X X X X X
04 446249	FEED LIFTING LEVER SPRING	X X X X X X X X
07 357122	FEED LIFTING LEVER HINGE STUD (ECCENTRIC)	X X X X X X X X
08 356222-001	FEED LIFTING LEVER ASSEMBLY	X X X X X X X X
09 446228	FEED LIFTING CAM	X X X X X X X X
10 544118	FEED LIFTING CAM SCREW	X X X X X X X X
11 113455-001	FEED ROCK SHAFT CENTER SUPPORTING BRACKET SCREW	X X X X X X X X
12 446484	FEED ROCK SHAFT CENTER CLAMP (LEFT & RIGHT)	X X X X X X X X
13 446487-001	FEED ROCK SHAFT CENTER	X X X X X X X X
14 353397	FEED ROCK SHAFT CENTER (RIGHT) NOISE DAMPENING WASHER	X X X X X X X X
15 531623-451	FEED FORKED CONNECTING HINGE SCREW (ECCENTRIC)	X X X X X X X X
16 354939-451	FEED BAR HINGE SCREW	X X X X X X X X
17 446205	FEED BAR ASSEMBLY	X X X X X X X X
18 179891	FEED DOG	X X X X X X X X
19 355235-451	FEED DOG SCREW	X X X X X X X X
20 446216	FEED ROCK SHAFT COMPLETE	X X X X X X X X
21 353397	FEED ROCK SHAFT CENTER (LEFT) NOISE DAMPENING WASHER	X X X X X X X X
22 53648-451	FEED FORKED CONNECTING SCREW STUD NUT	X X X X X X X X
23 531926	FEED FORKED CONNECTING	X X X X X X X X
24 44437	FEED FORKED CONNECTING SLIDE BLOCK	X X X X X X X X
25 446244	FEED REGULATOR ASSEMBLY	X X X X X X X X
26 141925-833	FEED REGULATOR SET SCREW	X X X X X X X X
27 446483	FEED REGULATOR HINGE STUD	X X X X X X X X
28 179890	FEED REGULATOR RETURN SPRING	X X X X X X X X
29 445768	FEED REGULATOR RETURN SPRING BUSHING (PLASTIC)	X X X X X X X X
31 353600	FEED REGULATOR HINGE STUD ASSEMBLY	X X X X X X X X
32 531927	FEED FORKED CONNECTION WITH SLIDE BLOCK	X X X X X X X X
33 353357-451	FEED ROCK SHAFT CENTER SUPPORTING BRACKET SCREW WASHER	X X X X X X X X

SM-14, FM17, 5825, CM-17, 57825, FM-22, 5830, 5838 Models.
P/N 357675-001.

Adopt.

ELECTRICAL EQUIPMENT



REV.: _____
DATE: JAN/99

**PART LIST
ELECTRICAL EQUIPMENT**

**S F 5 C 5 F 5 5
M M 8 M 7 M 8 8
1 1 2 1 8 2 3 3
4 7 5 7 2 2 0 8
5**

REF. PART NBR	DESCRIPTION	
04	179908	LIGHT LEAD GROMMET
07	988076-001	LAMP (120V)
08	354592-451	LIGHT SOCKET MOUNTING SCREW
09		REFER TO CHARTS ON FOLLOWING PAGES
10		REFER TO CHARTS ON FOLLOWING PAGES
11		REFER TO CHARTS ON FOLLOWING PAGES
12		REFER TO CHARTS ON FOLLOWING PAGES
13	179910-451	LIGHT SHIELD (WITH GRAPHICS) (FOR US/CANADA)
17	362264-901	MOTOR MOUNTING PLATE CLAMP SCREW
18	113370-451	MOTOR MOUNTING PLATE SCREW (LOWER)
19	356803-901	MOTOR MOUNTING PLATE
20	353518-001	MOTOR BELT (V)
21		REFER TO CHARTS ON FOLLOWING PAGES
22		REFER TO CHARTS ON FOLLOWING PAGES
23	313470-452	MOTOR MOUNTING PLATE SCREW NUT
25	988761-001	MOTOR PULLEY
26		REFER TO CHARTS ON FOLLOWING PAGES
27	605600-004	TYE RAP
31	362237-901	MOTOR MOUNTING PLATE SPACER
32	362263-901	MOTOR MOUNTING PLATE SPACER SCREW
33	113372-451	MOTOR MOUNTING PLATE SCREW (UPPER)

X X X X X X X X
X X X X X X X X
X X X X X X X X

X X X X X X X X
X X X X X X X X
X X X X X X X X
X X X X X X X X

X X X X X X X X
X X X X X X X X
X X X X X X X X
X X X X X X X X

ELECTRICAL EQUIPMENT

REF.		SCHOOL MODEL			
		U.S.	CANADA	U.S.	CANADA
	1 SPEED UNSUPRESSED	(120V)	(120V)	(120V)	(120V)
12	LIGHT COMPLETE	362160-002	362160-002	362160-003	362160-003
21	MOTOR COMPLETE	362180-012	362180-012	362180-012	362180-012
22	SERIES MOTOR MODULE	988752-010	988752-010	988752-010	988752-010
26	COMUTATOR END	362239-012	362239-012	362239-012	362239-012
10	CONTROLLER	362095-001	362095-001	362095-001	362095-001
09	SWITCH COMPLETE	362307-003	362307-003	362307-003	362307-003
11	LIGHT CONNECTOR HARNESS	988764-005	988764-005	988764-005	988764-005

REV.: _____
 DATA: **JAN/99**