



SINGER®

| Fashionista™

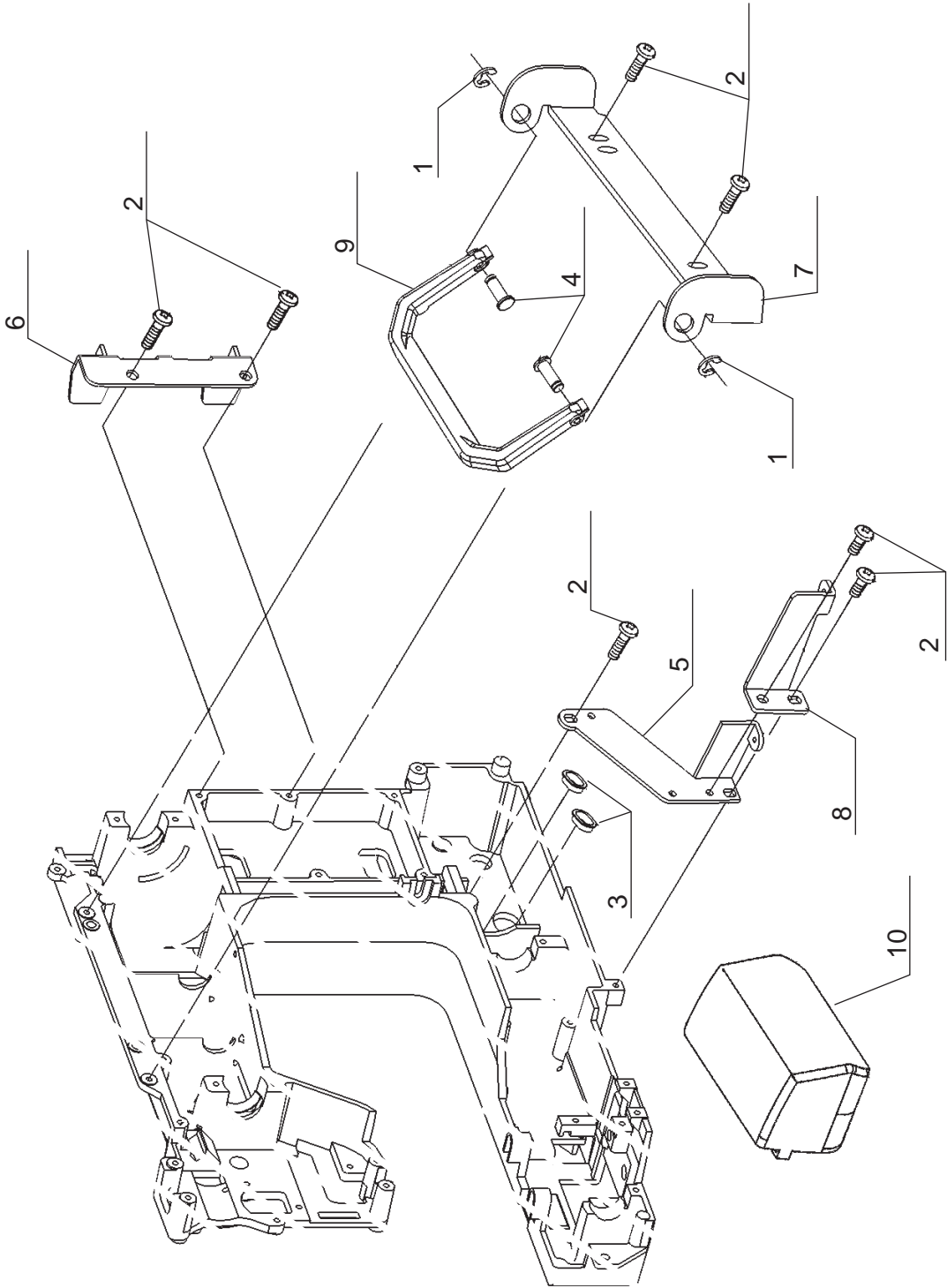
S800

® A registered trademark of The Singer Company Ltd. or its affiliates.
® *Una marca registrada de The Singer Company Ltd. o sus afiliados.*
® *Une marca déposée de The Singer Company Ltd. ou ses filiales.*

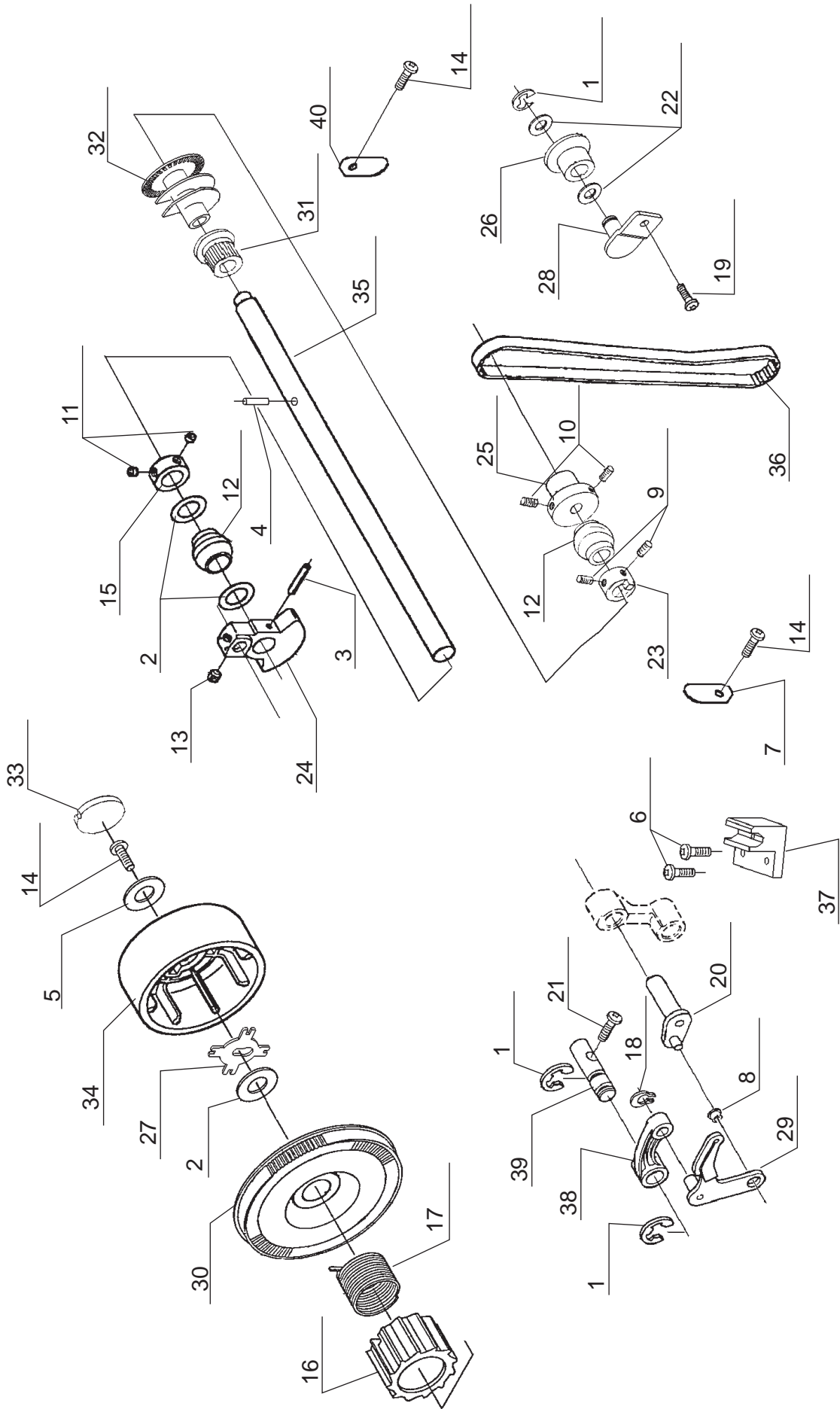
Liste de pièces
Lista de Piezas
Parts List

104 24 31-96
14 April 2014

A

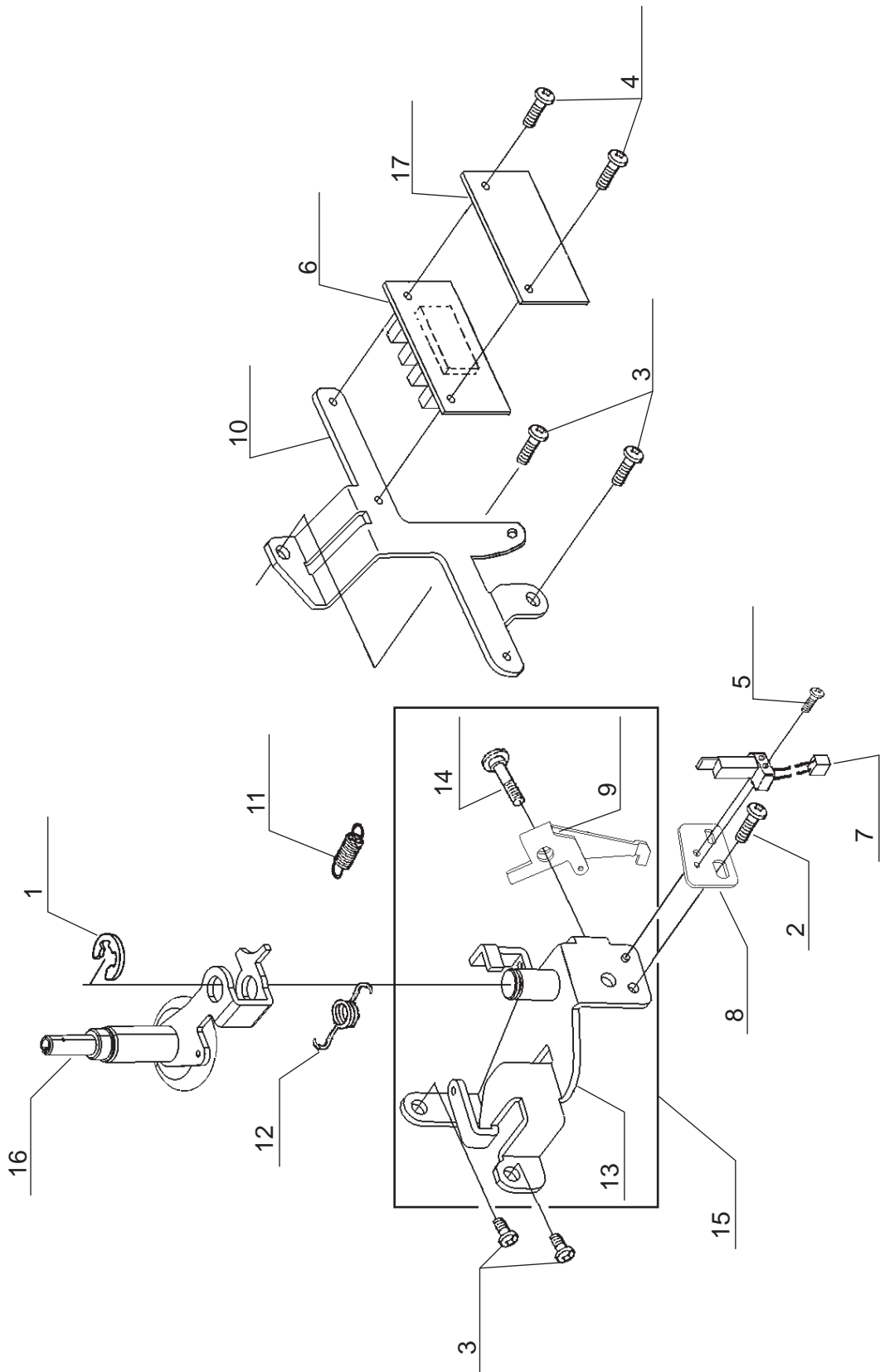


Pos	Part No.	Description
1	270 001513	E4 CLIP-ON-WASHER
2	270 077042	M4 PHILIPS SCREW
3	270 080070	CORD GUIDE
4	270 087216	PIN
5	416561101	BRACKET
6	416561201	BRACKET
7	416561301	HANDLE BRACKET
8	416561401	BRACKET
9	270 087907	HANDLE
10	270 087908	ACC. BOX



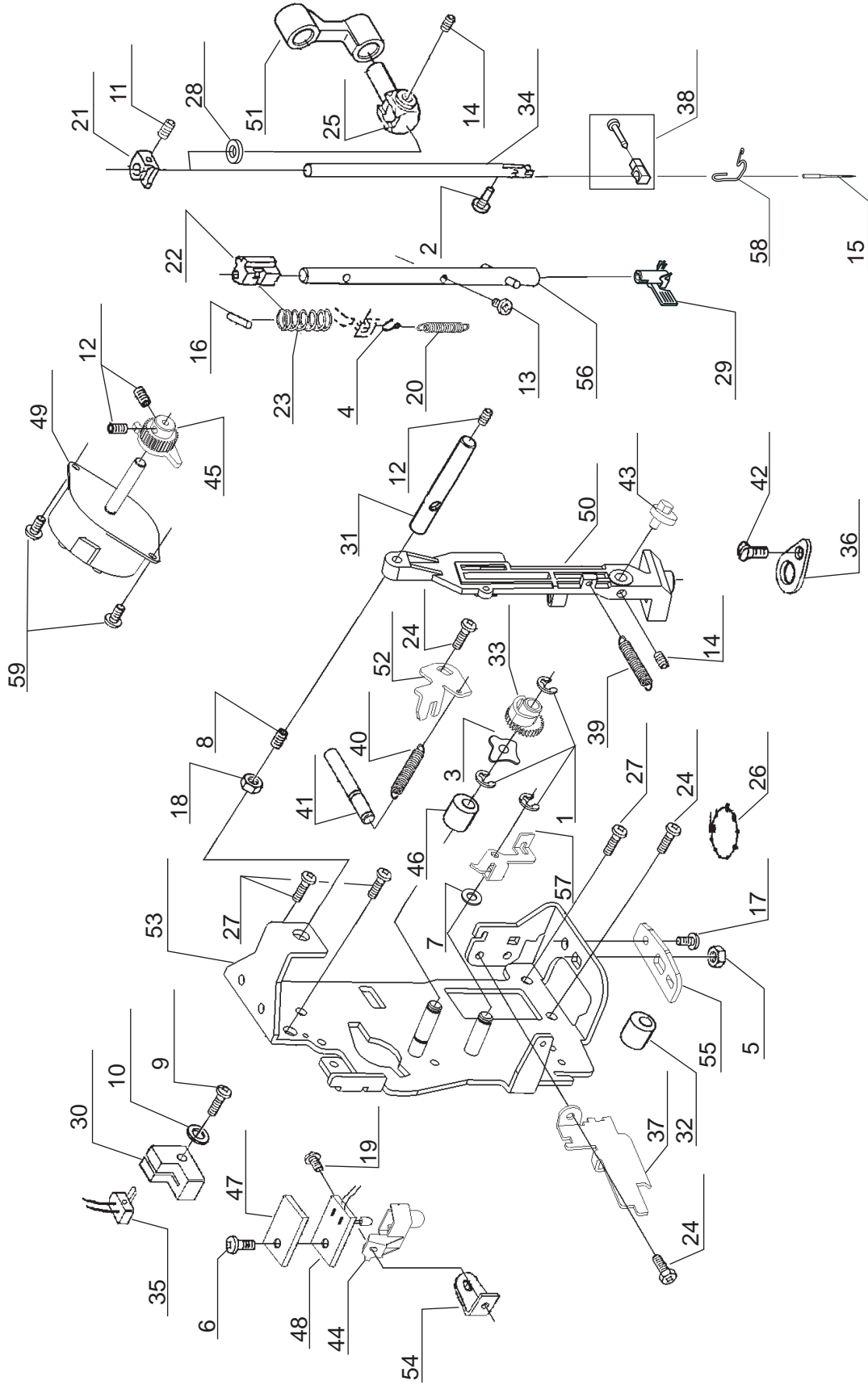
Pos	Part No.	Description
1	270 010963	E6 CLIP-ON-WASHER
2	270 043389	THRUST WASHER
3	270 043930	SPRING PIN
4	270 044066	SPRING PIN
5	270 053403	WASHER
6	270 061224	M4 PHILIPS SCREW
7	270 066235	SECURING PLATE
8	270 066437	BUSH
9	270 066725	M4 SCREW
10	270 066727	M4 SCREW
11	270 067447	M5 SCREW
12	270 068152	BALL BUSH
13	270 068152	M6 SCREW
14	270 073434	M4 PHILIPS SCREW
15	270 073472	COLLAR
16	270 075047	CLUTCH
17	270 075194	TORSION SPRING
18	270 075207	CS-CLIP
19	270 075274	M4 PHILIPS SCREW
20	270 076366	CRANK SHAFT
21	270 077035	M4 PHILIPS SCREW
22	270 077056	WASHER
23	270 085013	POSITIONING COLLAR
24	270 085017	BALANCER
25	270 085046	COLLAR
26	270 085138	TENSION ROLLER
27	270 085217	RETAINER
28	270 087125	IDLER PULLEY BRACKET
29	270 087134	TAKE-UP LEVER
30	416664801	BELT PULLEY
31	270 087221	UPPER TIMING BELT GEAR
32	270 087241	ENCODER
33	270 087288	PULLEY CAP
34	270 087299	PULLEY
35	270 087705	MAIN SHAFT
36	270 087737	TIMING BELT
37	416561701	TAKE-UP LEVER SHAFT BLOCK
38	416460401	TAKE-UP LEVER CRANK (USE 52109 FOR87886)
39	416513401	SHAFT (USE 52109 FOR87887)
40	416561801	SECURING PLATE

C

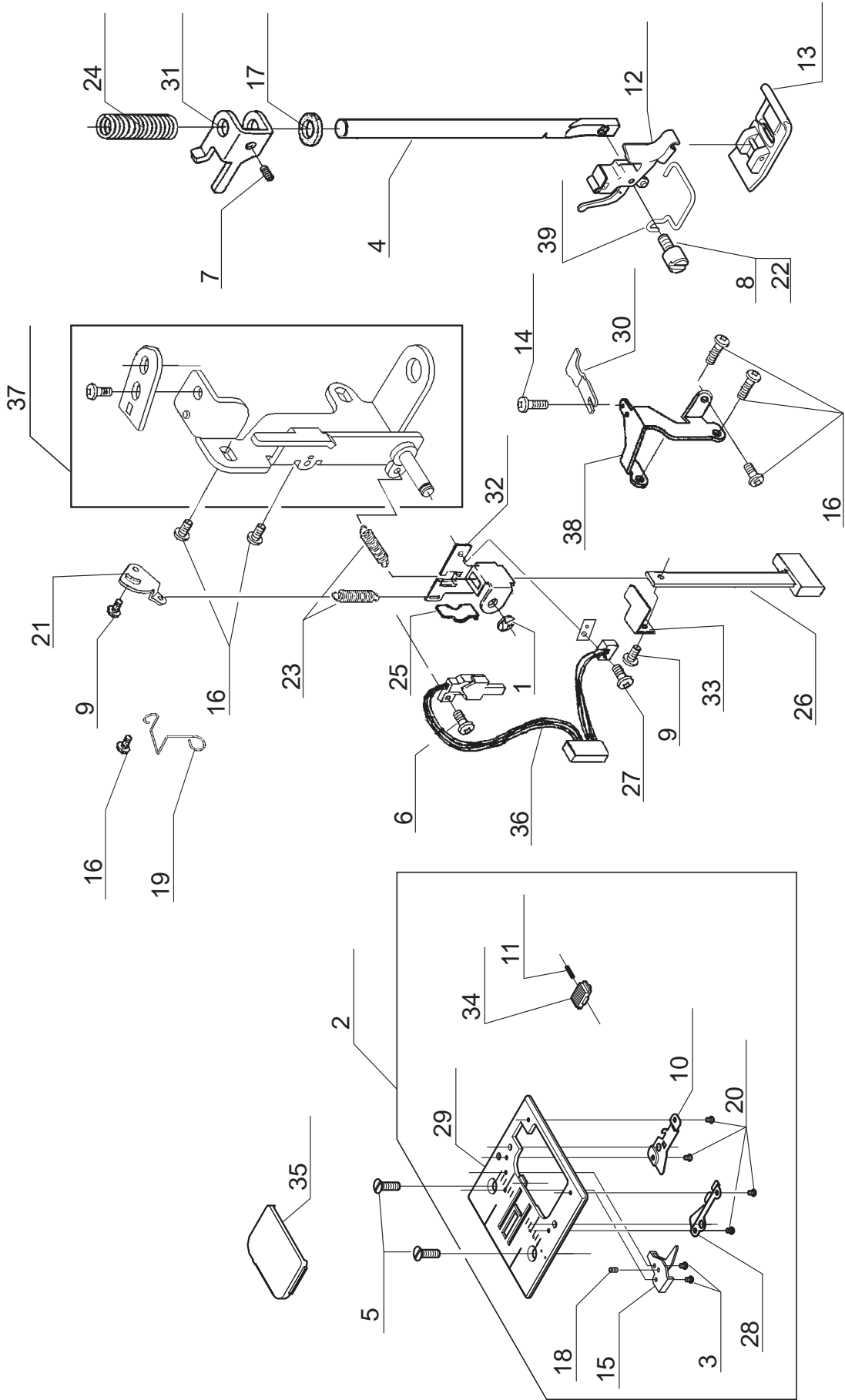


Pos	Part No.	Description
1	270 010963	E6 CLIP-ON-WASHER
2	270 073900	M3 PHILIPS SCREW
3	270 077042	M4 PHILIPS SCREW
4	270 077053	M3 PHILIPS SCREW
5	270 085274	M2 SCREW
6	270 087082	PHOTO SENSOR CIRCUIT BOARD
7	416827901	SWITCH HARNESS
8	416665301	MOUNTING BRACKET
9	416665401	RETAINER
10	270 087139	MOUNTING BRACKET
11	270 087180	EXTENSION SPRING
12	270 087182	TORSION SPRING
13	270 087739	BOBBIN WINDER BRACKET
14	416665401	M3 SHOULDER SCREW
15	416665601	BOBBIN WINDER BRACKET UNIT
16	270 087815	BOBBIN WINDER UNIT
17	416562101	INSULATION SHEET

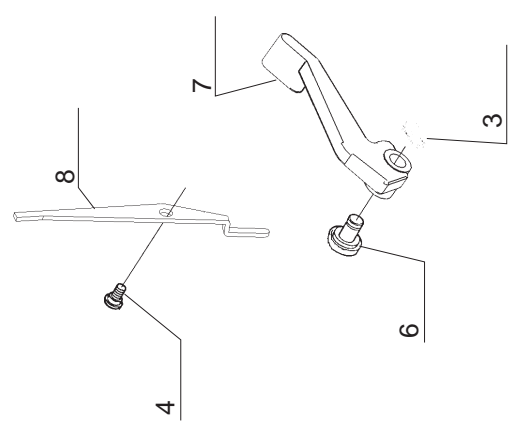
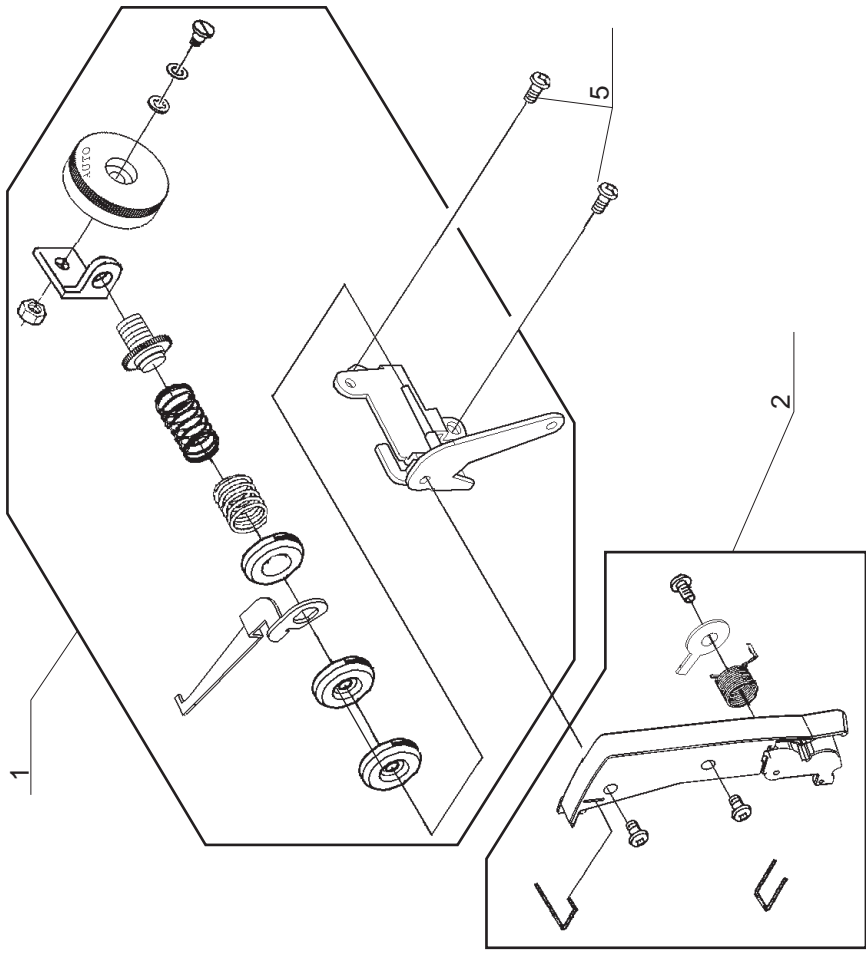
D



Pos	Part No.	Description
1	270 001513	E4 CLIP-ON-WASHER
2	270 026934	#8 SCREW
3	270 028735	WASHER
4	270 028917	HOOK FOR SPRING
5	270 031733	M3 NUT
6	270 039213	M3 SCREW
7	270 053321	THRUST WASHER
8	270 061341	M4 SCREW
9	270 063796	M3 SCREW
10	270 063805	WASHER
11	270 064359	M4 SCREW
12	270 064653	M3 SCREW
13	270 066005	M2 PHILLIPS SCREW
14	270 066725	M4 SCREW
15	270 067232	NEEDLE
16	270 068343	PIN
17	270 072367	M4 CP SCREW
18	270 073299	M4 TORQUE NUT
19	270 073900	M3 PHILLIPS SCREW
20	270 074050	EXTENSION SPRING
21	270 075024	STOPPER
22	270 075025	GUIDE BLOCK
23	270 075027	COMPRESSION SPRING
24	270 076317	M3 PHILIPS SCREW
25	270 077037	NEEDLE BAR CLAMP
26	270 077041	UNITY FASTENER
27	270 077042	M4 PHILIPS SCREW
28	270 077043	FELT
29	270 077421	THREADER ASSEMBLY
30	270 077527	SENSOR COVER
31	270 080095	STRAIGHT PIN
32	416562201	TUBE
33	416562301	ZIGZAG CAM WITH GEAR
34	270 085041	NEEDLE BAR
35	416562401	SWITCH HARNESS FOR ZIGZAG
36	270 087111	NEEDLE BAR SWING BRACKET
37	270 087120	THREAD GUIDE PLATE
38	270 087154	NEEDLE CLAMP SET
39	270 087183	SPRING
40	270 087188	SPRING
41	270 087207	STRAIGHT PIN
42	270 087211	M3 SCREW
43	270 087225	ECCENTRIC CAM
44	270 087236	LED LIGHT COVER
45	270 087246	PINION GEAR
46	270 087265	SPACER
47	270 087267	INSULATION SHEET
48	270 087502	LED LIGHT CIRCUIT BOARD
49	270 087600	STEPPING MOTOR
50	416562501	NEEDLE BAR SUPPORT
51	416562601	NEEDLE BAR CRANK
52	416562701	SECURING PLATE
53	416562801	NEEDLE BAR SUPPORT BRACKET
54	416562901	L-R LIMITER
55	270 087726	NEEDLE BAR ADJUSTING PLATE
56	416563001	THREADER SHAFT SET
57	416563101	BELL CLANK FOR ZIGZAG
58	270 088089	THREAD GUIDE
59	270 080110	M3 PHILIPS SCREW

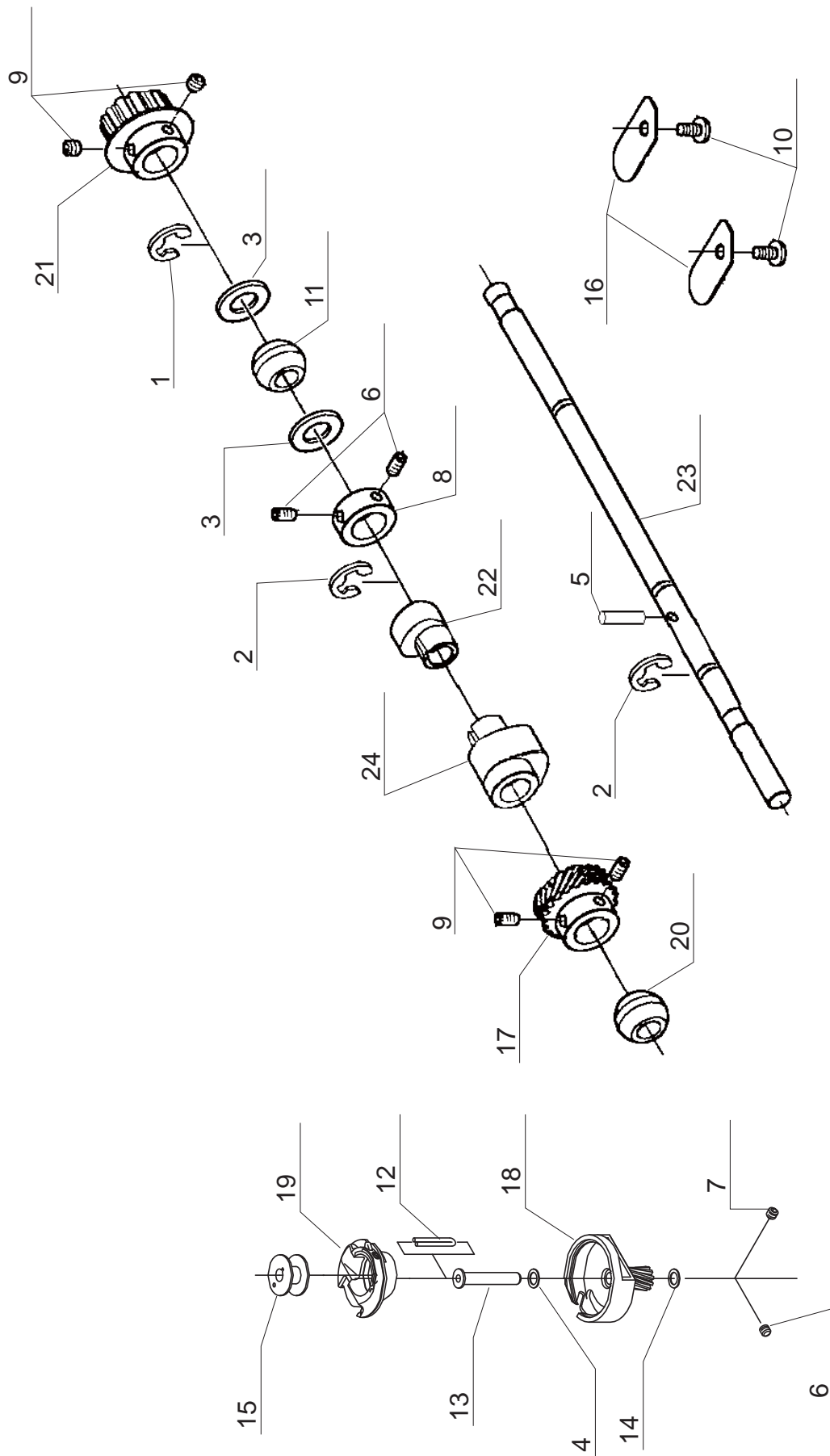


Pos	Part No.	Description
1	270 001520	E3 CLIP-ON-WASHER
2	270 051046	NEEDLE PLATE SET
3	270 056858	M2 PHILIPS SCREW
4	270 063278	PRESSER BAR
5	270 064051	M4 SCREW
6	270 066005	M2 PHILIPS SCREW
7	270 066727	M4 SCREW
8	270 068299	#7 SCREW FOR SHANK
9	270 073900	M3 PHILIPS SCREW
10	270 076114	COVER GUIDE (R)
11	270 076159	COMPRESSION LEVER
12	270 076250	PRESSER FOOT HOLDER
13	270 076251	ZIGZAG PRESSER FOOT
14	270 076317	M3 PHILIPS SCREW
15	416555701	THREAD CONTROL PLATE
16	270 077042	M4 PHILIPS SCREW
17	270 077043	FELT
18	270 079491	SCREW
19	270 080079	CORD GUIDE
20	270 080096	M2 PHILIPS SCREW
21	270 080102	CONTROL PLATE
22	416514401	SCREW FOR SHANK (ITALY ONLY)
23	270 085064	EXTENSION SPRING
24	270 085065	COMPRESSION SPRING
25	270 085181	LEAF SPRING
26	270 085198	BH PLATE (A)
27	270 085262	M2 SCREW
28	270 086256	COVER GUIDE (L)
29	270 087106	NEEDLE PLATE
30	270 087107	BOBBIN CASE STOPPER
31	270 087114	PRESSURE BAR GUIDE
32	270 087117	BH PLATE (B)
33	270 087118	BH PLATE (C)
34	270 087234	RELEASE LEVER
35	270 087456	NEEDLE COVER PLATE
36	416828001	BH SWITCH HARNESS
37	416555801	PRESSURE BAR BRACKET SET
38	416560601	BRACKET
39	416539601	FINGER GUARD (ITALY ONLY)

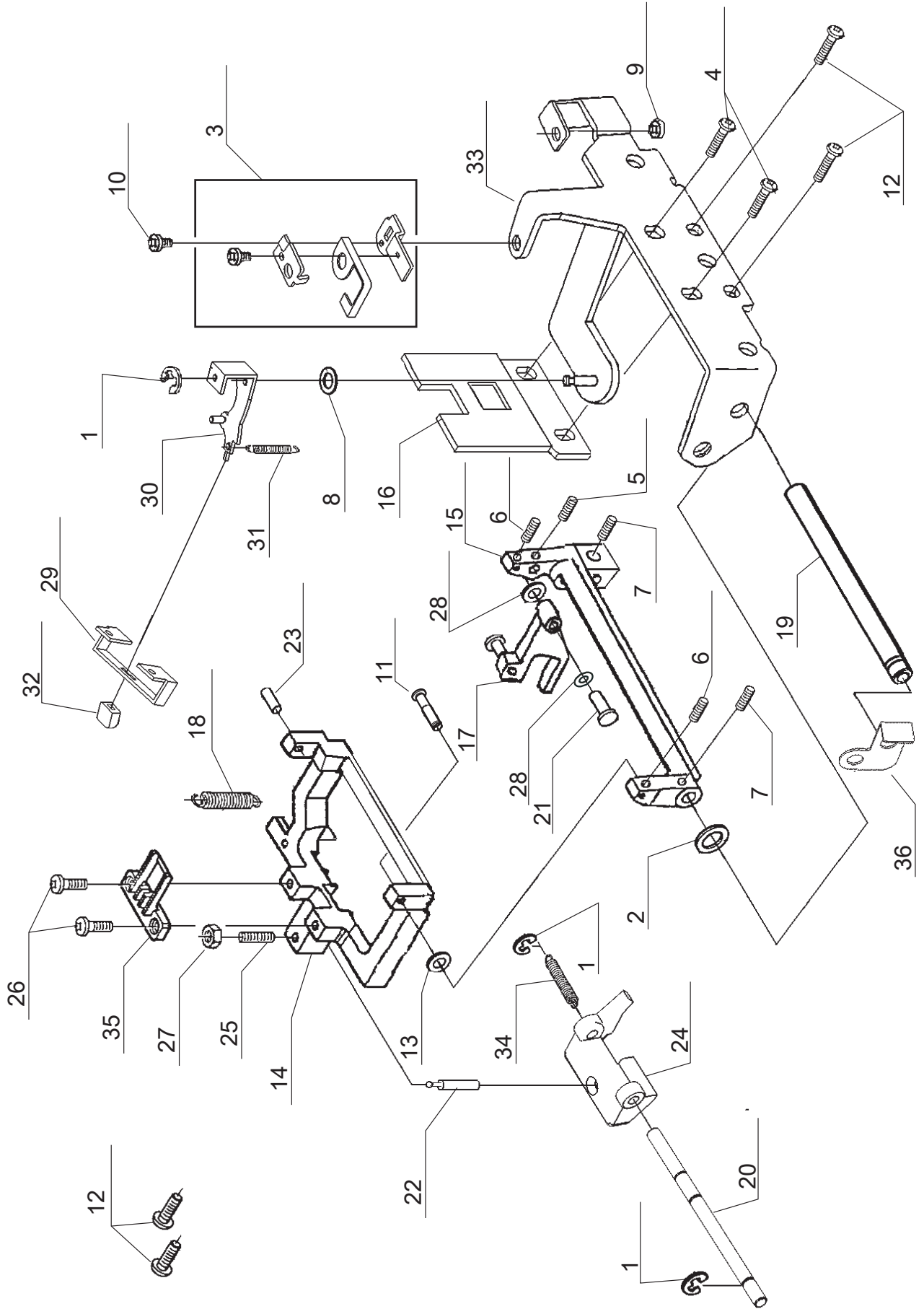


Pos	Part No.	Description
1	416560701	TENSION ASSY
2	416560801	THREAD GUIDE PLATE ASSY
3	270 062215	M4 NUT
4	270 072266	M4 STUD SCREW
5	270 077042	M4 PHILLIPS SCREW
6	270 087212	M4 SCREW
7	270 087806	PRESSURE BAR LIFTER
8	416560901	TENSION RELEASE LEVER

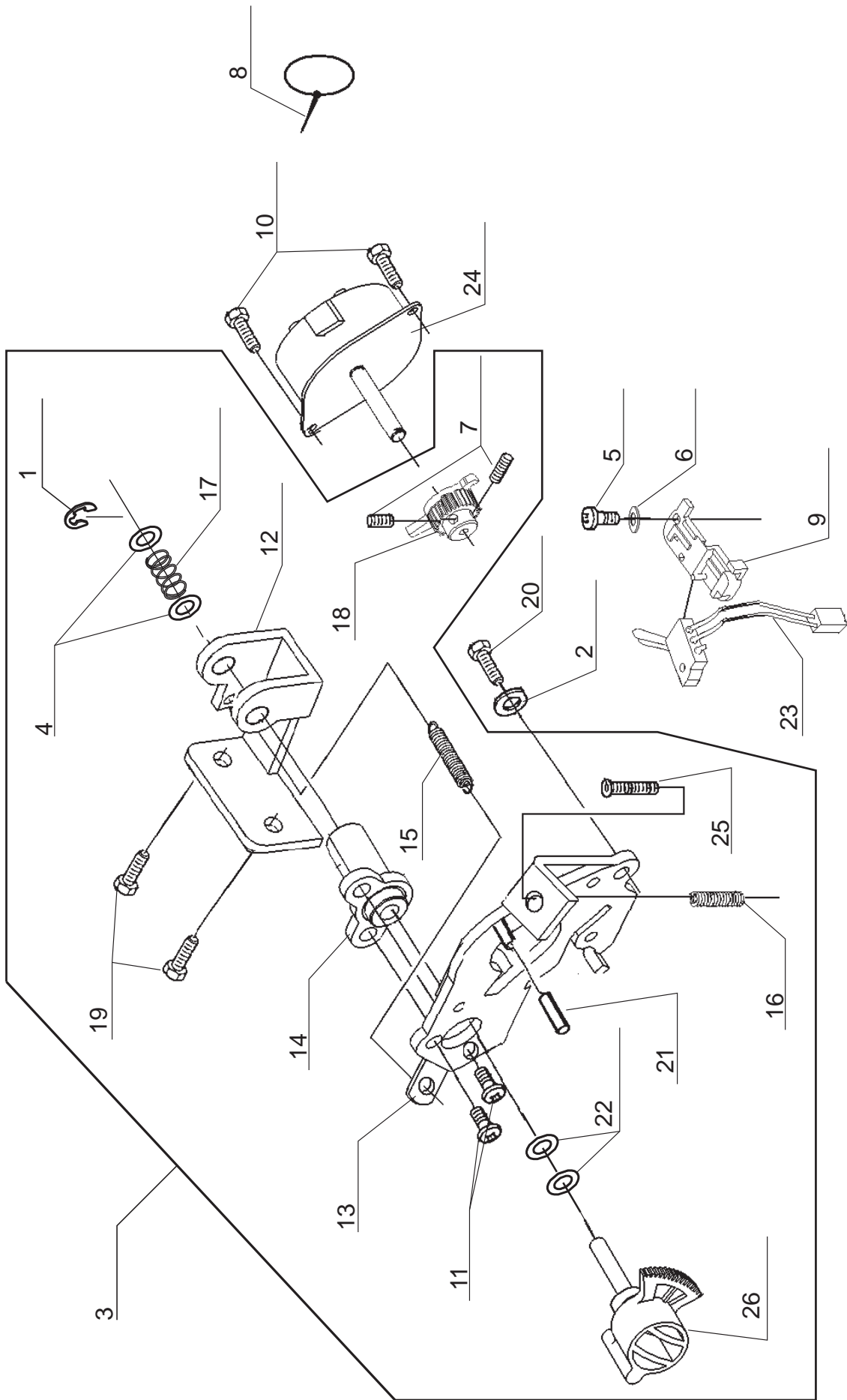
G



Pos	Part No.	Description
1	270 001504	E6 CLIP-ON-WASHER
2	270 010963	E6 CLIP-ON-WASHER
3	270 043390	THRUST WASHER
4	270 043392	THRUST WASHER
5	270 064179	SPRING PIN
6	270 066725	M4 SCREW
7	270 066727	M4 SCREW
8	270 067444	COLLAR
9	270 067447	M5 SCREW
10	270 073434	M4 PHILIPS SCREW
11	270 076141	BALL METAL
12	270 076203	OILING CORD
13	270 080078	SHUTTLE RACE SHAFT
14	416514601	WASHER
15	085128-BX/30	BOBBIN
16	085128-P	BOBBIN
17	085128-P/25	BOBBIN
18	270 085247	SECURING PLATE
19	416434001	BEVEL GEAR
20	270 087051	SHUTTLE RACE
21	270 087061	BOBBIN CASE
22	270 087170	BALL METAL
23	270 087171	TIMING BELT GEAR (LOWER)
24	270 087228	FEED CAM
25	416434001	LOWER STRAIGHT SHAFT
26	270 088115	LIFTING CAM

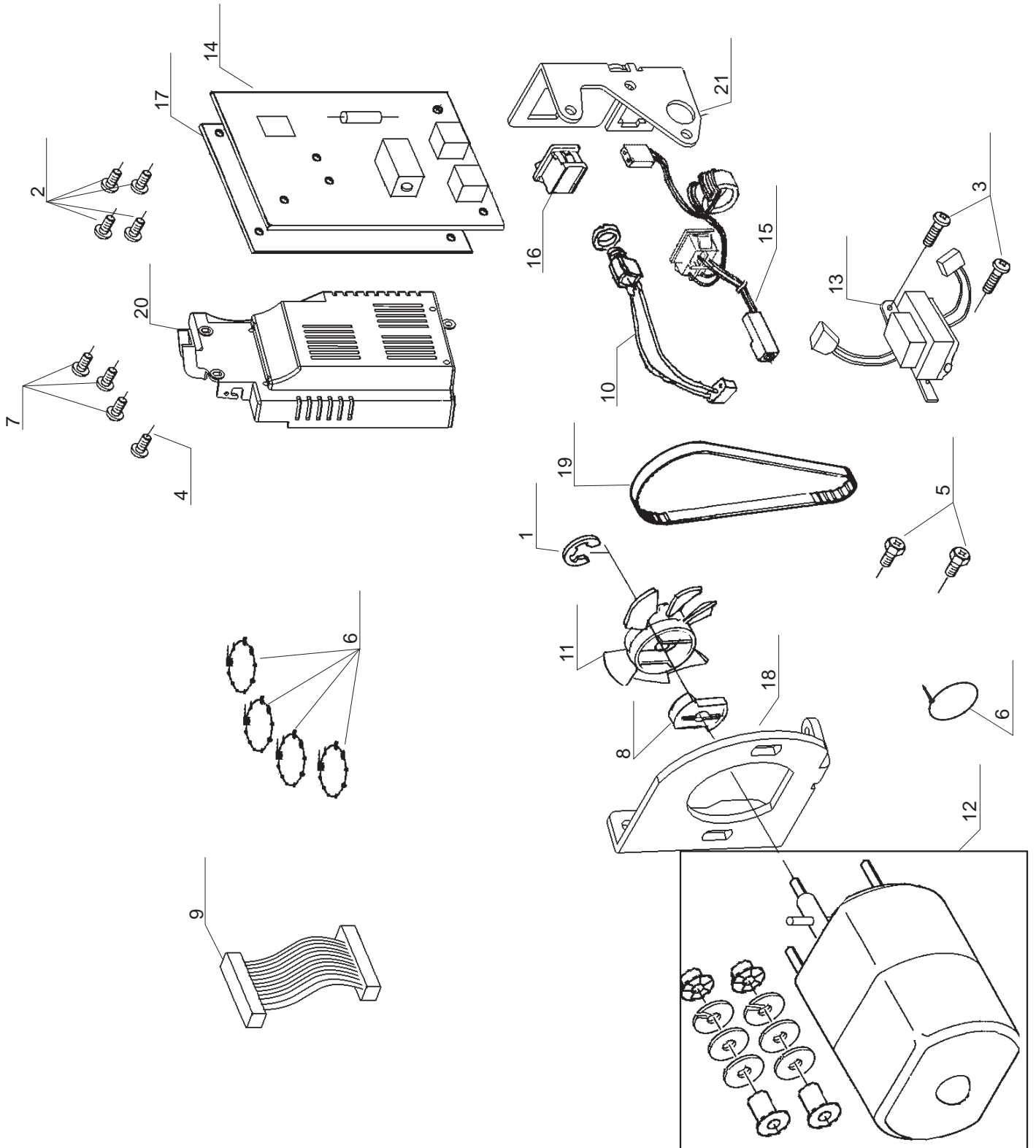


Pos	Part No.	Description
1	270 001513	E3 CLIP-ON-WASHER
2	270 051049	WASHER
3	270 051058	RETAINER SET
4	270 059221	M4 PHILIPS SCREW
5	270 061333	M4 SCREW
6	270 064653	M3 SCREW
7	270 066725	M4 SCREW
8	270 072858	WASHER
9	270 073299	M4 TORQUE NUT
10	270 073900	M3 PHILIPS SCREW
11	270 076132	SHAFT
12	270 077042	M4 PHILIPS SCREW
13	270 085252	WASHER
14	270 087103	FEED DOG BASE
15	270 087104	FEED DOG BASE SUPPORT
16	270 087122	SUPPORT PLATE
17	270 087174	FORKED CRANK
18	270 087186	TORSION SPRING
19	270 087202	SHAFT
20	270 087203	SHAFT
21	270 087206	PIN
22	270 087208	BALL HEADED PIN
23	270 087210	PIN
24	270 087226	VERTICAL FEED BLOCK
25	270 087232	M6 STUD SCREW
26	270 087262	M3 CP SCREW
27	270 087268	M6 NUT
28	270 087269	WASHER
29	270 087422	DROP GUIDE
30	270 087423	DROP LEVER
31	270 087424	TORSION SPRING
32	270 087425	DROP KNOB
33	270 087426	SECURING BRACKET
34	270 087433	TORSION SPRING
35	270 087105	FEED DOG
36	416506801	SECURING PLATE



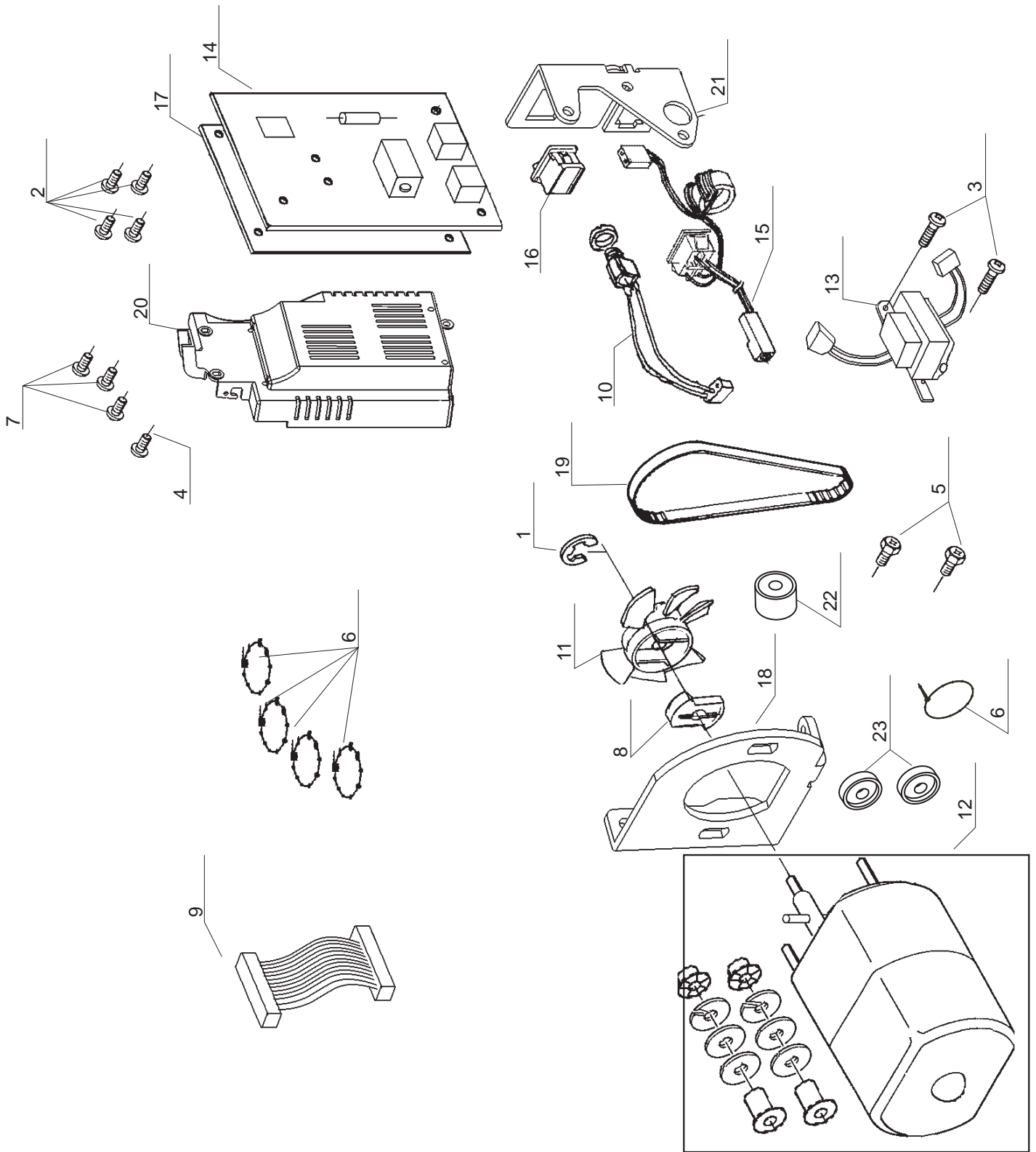
Pos	Part No.	Description
1	270 001513	E4 CLIP-ON-WASHER
2	270 031246	WASHER
3	270 051049	FEED REGULATOR UNIT
4	270 059221	WASHER
5	270 063796	M3 SCREW
6	270 063805	WASHER
7	270 064653	M3 SCREW
8	270 077041	UNITY FASTENER
9	270 077527	SENSOR COVER
10	270 080110	M3 PHILIPS SCREW
11	416442801	M3 PHILIPS SCREW
12	270 087146	BRACKET
13	270 087148	STEPPING MOTOR BRACKET
14	270 087178	FEED REGULATOR SHAFT METAL BUSH
15	270 087188	EXTENSION SPRING
16	270 087189	COMPRESSION SPRING
17	270 087191	COMPRESSION SPRING
18	270 087253	PINION GEAR
19	270 087261	CP BOLT
20	270 087262	M3 CP SCREW
21	270 087273	PIN
22	270 087274	WASHER
23	416463101	SWITCH HARNESS
24	270 087600	STEPPING MOTOR
25	270 087668	M4 BOLT
26	270 088118	FEED REGULATOR

J 120V

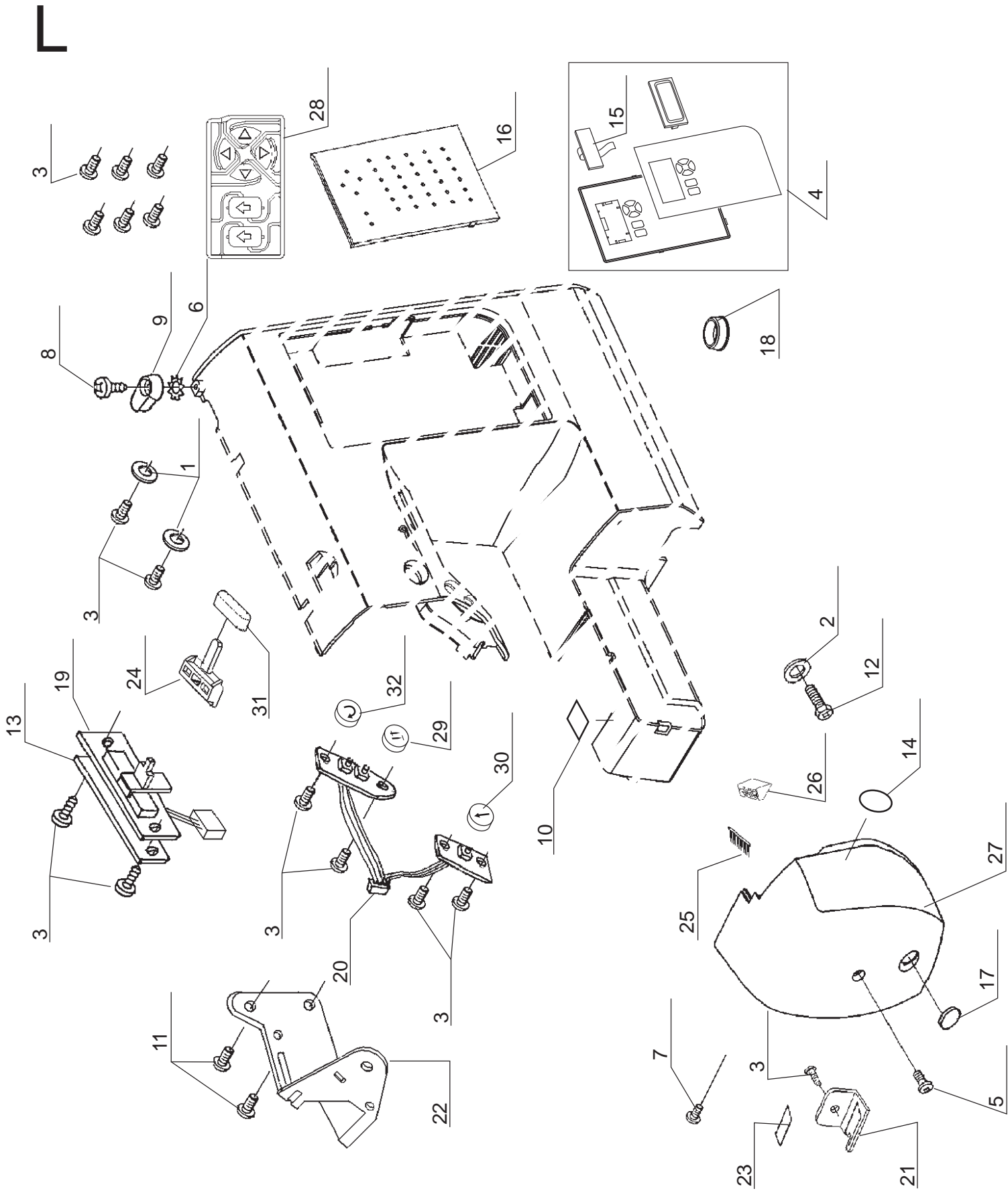


Pos	Part No.	Description
1	270 001520	E3 CLIP-ON-WASHER
2	270 039213	M3 SCREW
3	270 061222	M4 PHILIPS SCREW
4	270 061224	M4 PHILIPS SCREW
5	416821901	CP BOLT
6	270 077041	UNITY FASTENER
7	270 077042	M4 PHILLIPS SCREW
8	270 077614	GEAR CLUTCH
9	416537801	5P CORD HARNESS
10	270 087085	PIN-JACK HARNESS
11	270 087237	MOTOR FAN
12	270 087510	MAIN MOTOR
13	270 087514	TRANSFORMER
14	270 087530	CIRCUIT BOARD
15	270 087536	INLET HARNESS
16	270 087541	SWITCH
17	270 087542	INSULATION SHEET
18	416563601	MAIN MOTOR BRACKET
19	416512401	DRIVING BELT
20	416563701	AC CIRCUIT BOARD BOX
21	416563801	SWITCH BRACKET

K 230V



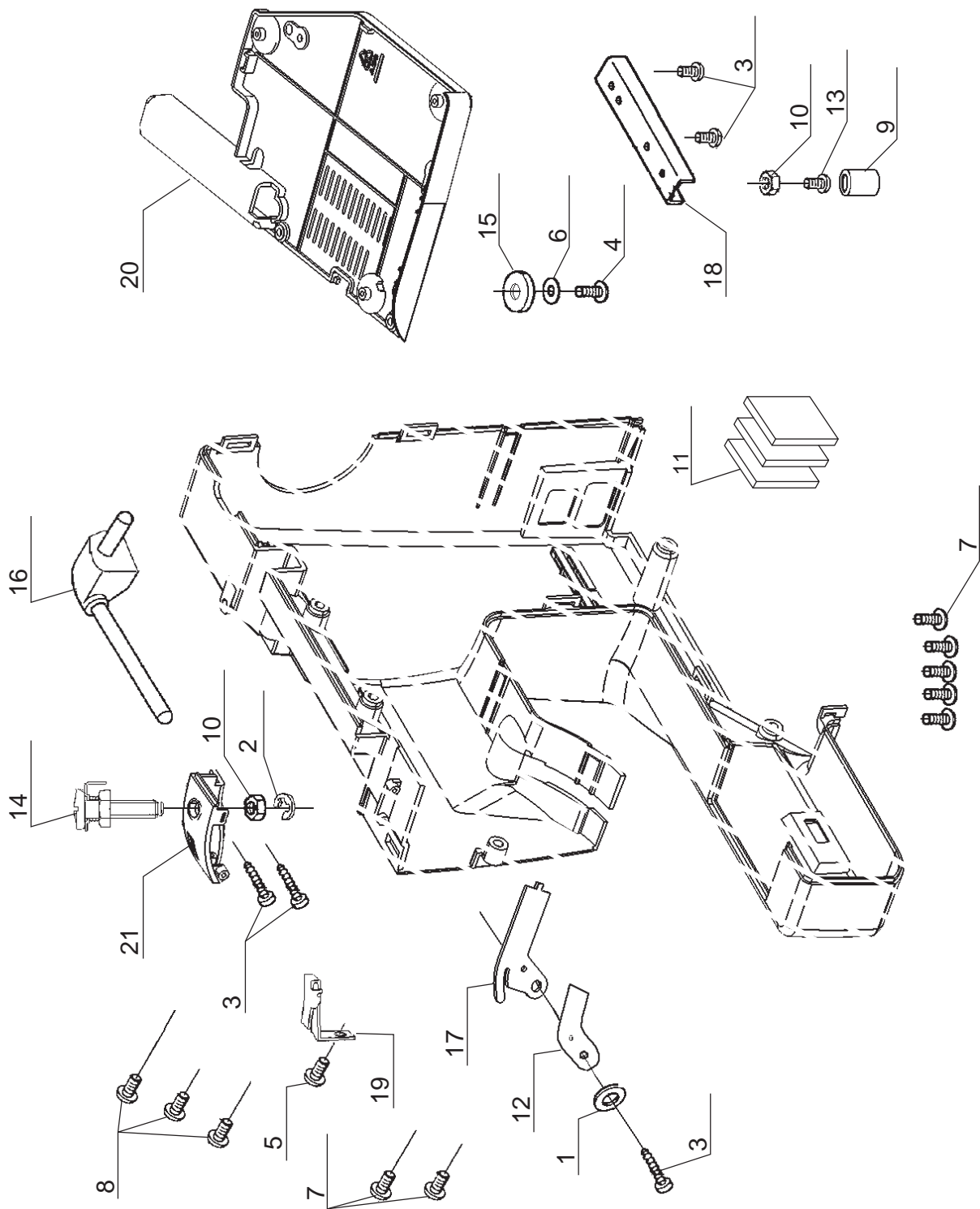
Pos	Part No.	Description
1	270 001520	E3 CLIP-ON-WASHER
2	270 039213	M3 SCREW
3	270 061222	M4 PHILIPS SCREW
4	270 061224	M4 PHILIPS SCREW
5	416821901	CP BOLT
6	270 077041	UNITY FASTENER
7	270 077042	M4 PHILLIPS SCREW
8	270 077614	GEAR CLUTCH
9	416537801	5P CORD HARNESS
10	270 087085	PIN-JACK HARNESS
11	270 087237	MOTOR FAN
12	270 087510	MAIN MOTOR
13	270 087514	TRANSFORMER
14	270 087530	CIRCUIT BOARD
15	270 087536	INLET HARNESS
16	270 087541	SWITCH
17	270 087542	INSULATION SHEET
18	416563601	MAIN MOTOR BRACKET
19	416512401	DRIVING BELT
20	416563701	AC CIRCUIT BOARD BOX
21	416563801	SWITCH BRACKET
22	270 085318	FERRITE RING
23	270 087257	BUSH



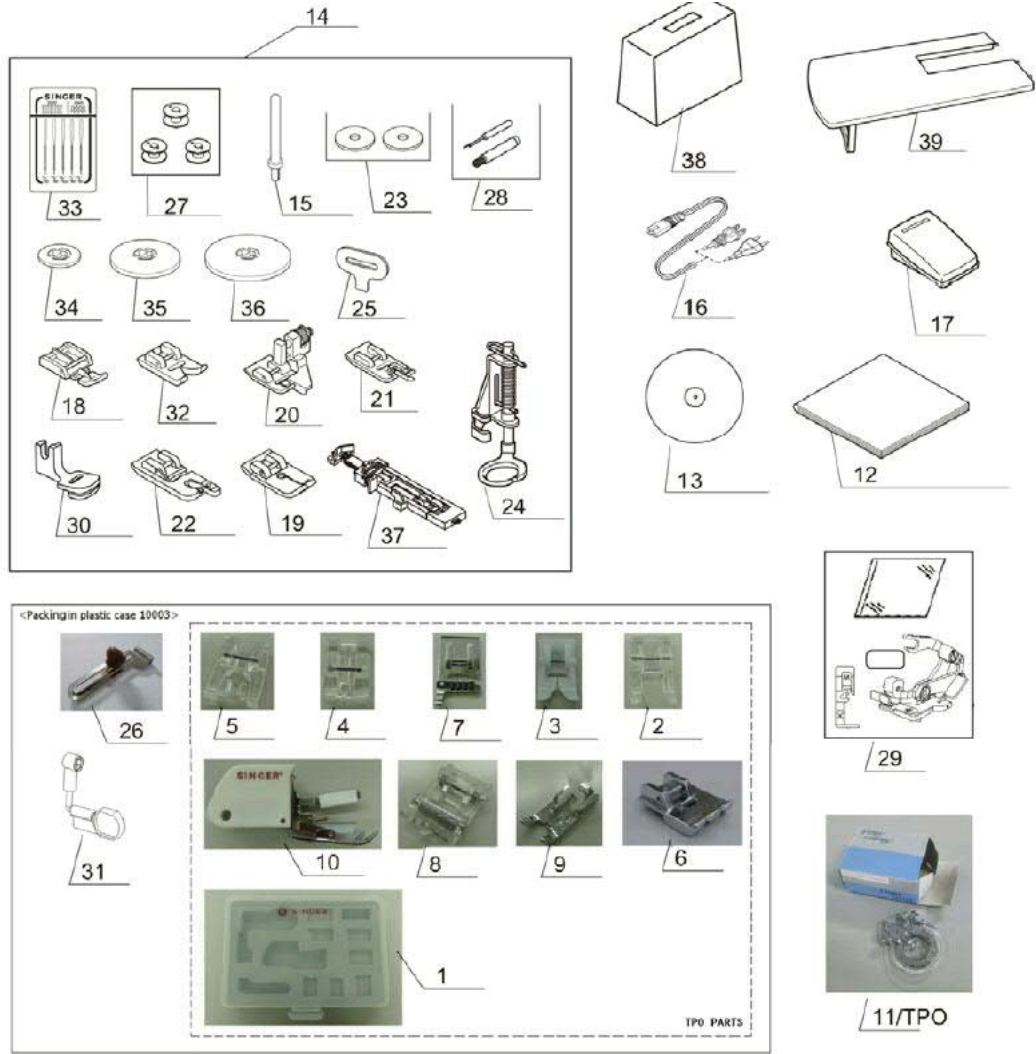
Pos	Part No.	Description
1	415388001	WASHER
2	270 031246	WASHER
3	270 039213	M3 SCREW
4	416827801	CONTROL PANEL (S800ONLY)
5	270 061222	M4 PHILIPS SCREW
6	270 064360	TOOTHED WASHER
7	270 065736	M4 PHILIPS SCREW
8	270 074795	TAPPING SCREW
9	270 076440	BOBBIN WINDER LATCH
10	270 076511	SEAL
11	270 077042	M4 PHILIPS SCREW
12	270 077044	M3 PHILIPS SCREW
13	416563901	INSULATION SHEET
14	416458601	SEAL (S800ONLY)
15	416463901	LCD
16	416512301	CPU / SWITCH CIRCUIT BOARD
17	416564001	BRACKET
18	270 086918	CAP
19	416564701	SLIDE HARNESS
20	416564801	SWITCH HARNESS
21	270 087345	BLADE FIXTURE
22	416564101	FACE COVER BRACKET
23	270 087766	BLADE
24	416449601	SLIDE LEVER
25	416564201	BRUSH
26	416564301	BLADE FIXTURE
27	416512201	FACE COVER
28	416828101	PATTERN SWITCH (S800ONLY)
29	416828201	BUTTON (S800ONLY)
30	416828301	BUTTON (S800ONLY)
31	416828401	KNOB (S800ONLY)
32	416828501	BUTTON (S800ONLY)

L

M



Pos	Part No.	Description
1	270 004844	WASHER
2	270 027925	E2.5 CLIP-ON-WASHER
3	270 039213	M3 SCREW
4	270 044261	M4 SCREW
5	270 058981	TAPPING SCREW
6	270 059221	WASHER
7	270 061224	M4 PHILLIPS SCREW
8	270 064484	TAPPING SCREW
9	416509201	RUBBER FOOT
10	270 073299	M4 TORQUE NUT
11	270 076274	SPACER FOR CARRY CASE
12	270 077528	SPRING PLATE
13	270 086038	STUD SCREW
14	270 087250	M4 SPECIAL SCREW UNIT
15	416509301	RUBBER FOOT
16	270 087296	SPOOL PIN UNIT
17	270 087315	TENSION PLATE
18	416770901	LEG
19	416771001	RETAINER
20	416771101	BOTTOM COVER
21	416771201	TENSION CAP



Pos	Part No.	Description
1	416799301	PLASTIC CASE (S800ONLY)
2	270 086680	OPEN TOE FOOT (S800ONLY)
3	416494401	NON-STICK FOOT (S800ONLY)
4	416538701	INVISIBLE ZIPPER FOOT (S800ONLY)
5	416700101	BEADING FOOT (S800ONLY)
6	416700001	PIPING FOOT (S800ONLY)
7	270 HP30686	CARDING FOOT (S800ONLY)
8	250014001	BEADING FOOT (S800ONLY)
9	250013901	FRINGER FOOT (S800ONLY)
10	270 HP31099-3	EVEN FEED FOOT (S800ONLY)
11	250013801	FLOWER STITCH ATTACHMENT (S800ONLY)
12	19327	INSTRUCTION BOOK (Eng/Fre/Spa)
13	416812801	INSTRUCTION DVD
14	52236	ACCESSORY SET (S800ONLY)
15	270 064083	SPOOL PIN
16	416813901	POWER CORD (120V)
17	416813801	FOOT CONTROL (PIN-JACK TYPE)
18	416437001	ZIPPER FOOT (S800ONLY)
19	270 076253	STRAIGHT STITCH FOOT (S800ONLY)
20	416437101	BLIND STUTCH FOOT (S800ONLY)
21	270 076258	OVERCASTING FOOT (S800ONLY)
22	270 076259	ROLLED HEMMING FOOT (S800ONLY)
23	270 077040	SPOOL PIN DISC
24	270 077079	FREEHAND EMBROIDERY (S800ONLY)
25	270 079455	LARGE SCREW DRIVER
26	416799201	SEAM GUIDE (S800ONLY)
27	85128-BX/30	BOBBIN
28	416436401	BUTTONHOLE OPENER / BRUSH
29	270 085670	SIDE CUTTER THAT LATCHES TO THE NEEDLE PLATE (S800ONLY)
30	270 086626	GATHERING FOOT (S800ONLY)
31	270 086640	MAGNIFIER (S800ONLY)
32	416437201	SATIN STITCH FOOT (S800ONLY)
33	260 353364000	NEEDLE SET
34	270 087287	SPOOL PIN CAP (MINI)
35	270 087289	SPOOL PIN CAP (SMALL)
36	270 087290	SPOOL PIN CAP (LARGE)
37	416465601	BUTTONHOLE FOOT
38	270 088218	VINYL COVER
39	270 088278	EXTENSION TABLE