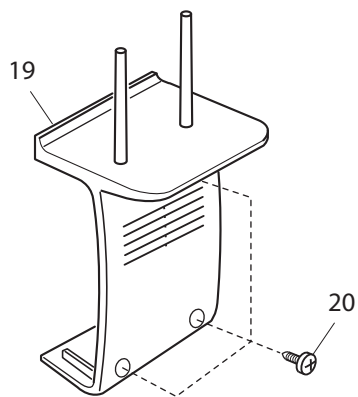
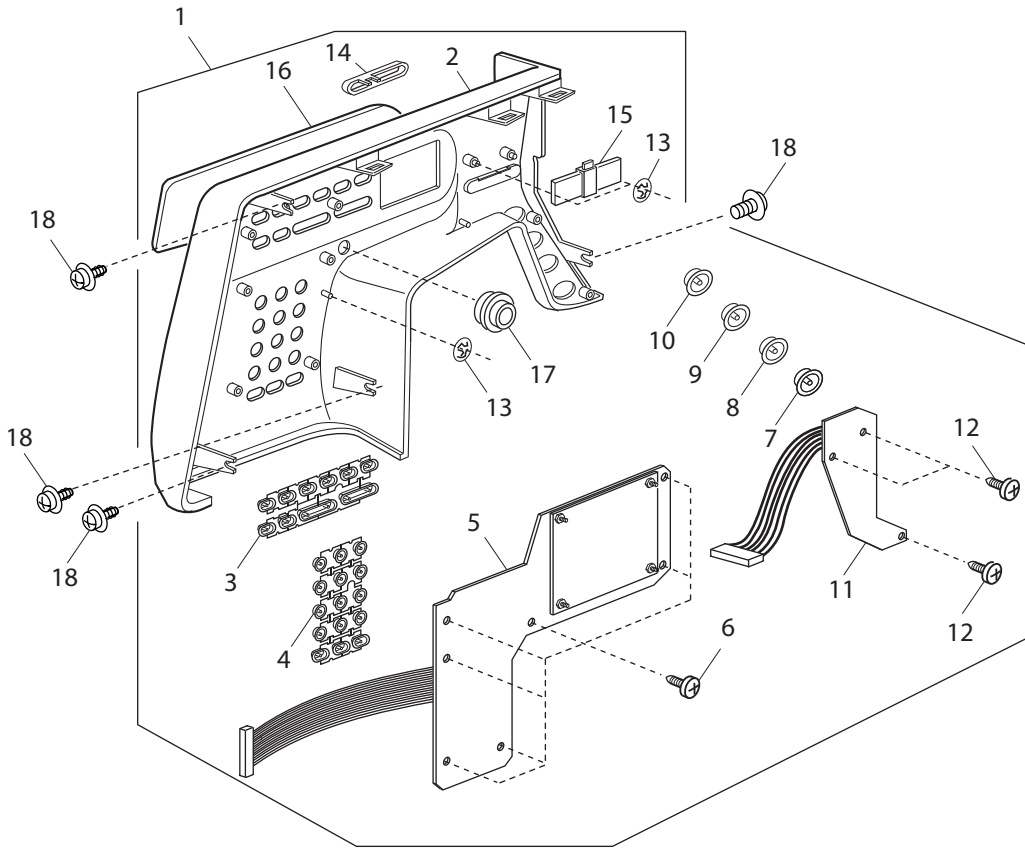




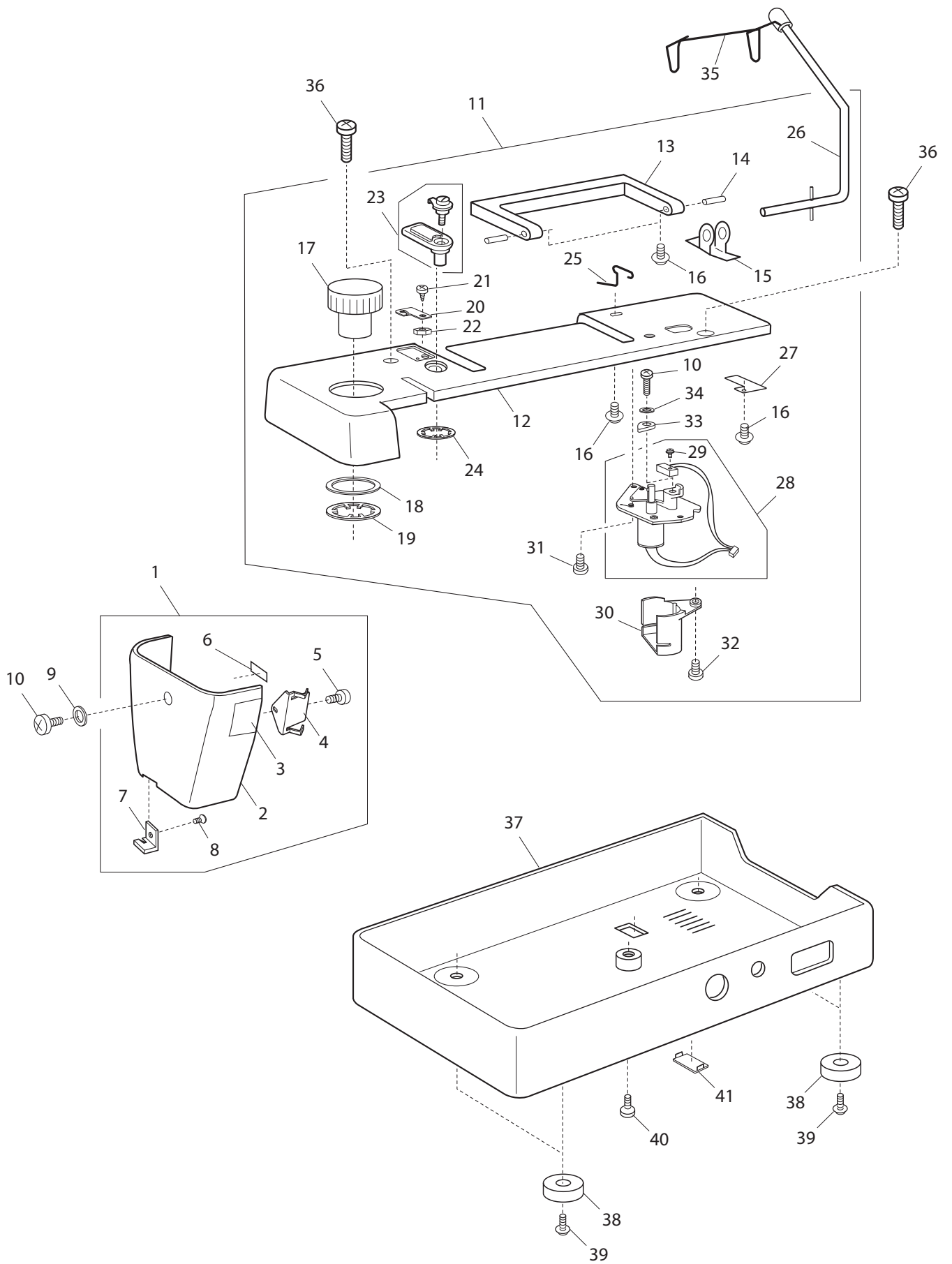
SINGER®

S18

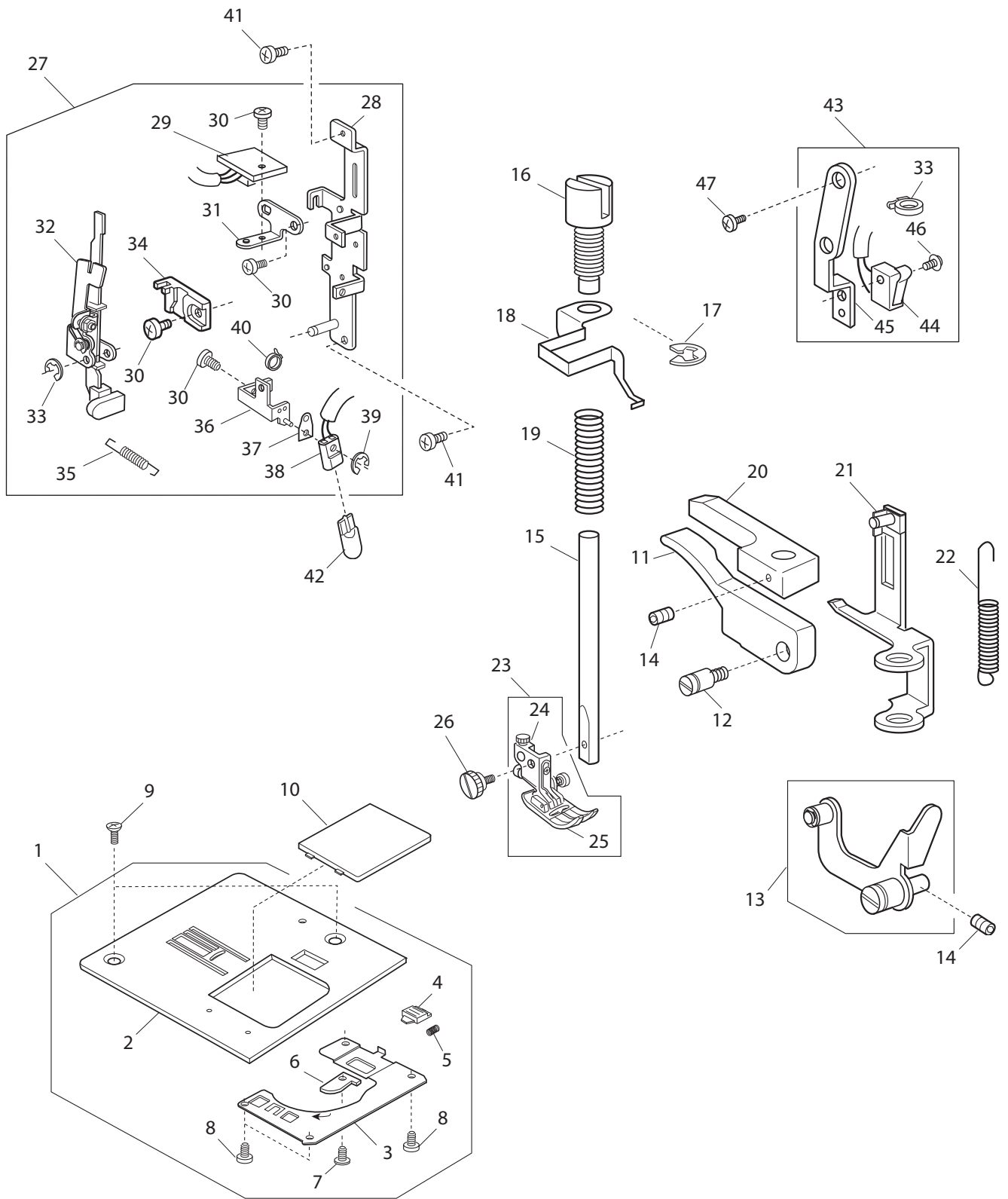
Liste de pièces
Lista de Piezas
Parts List



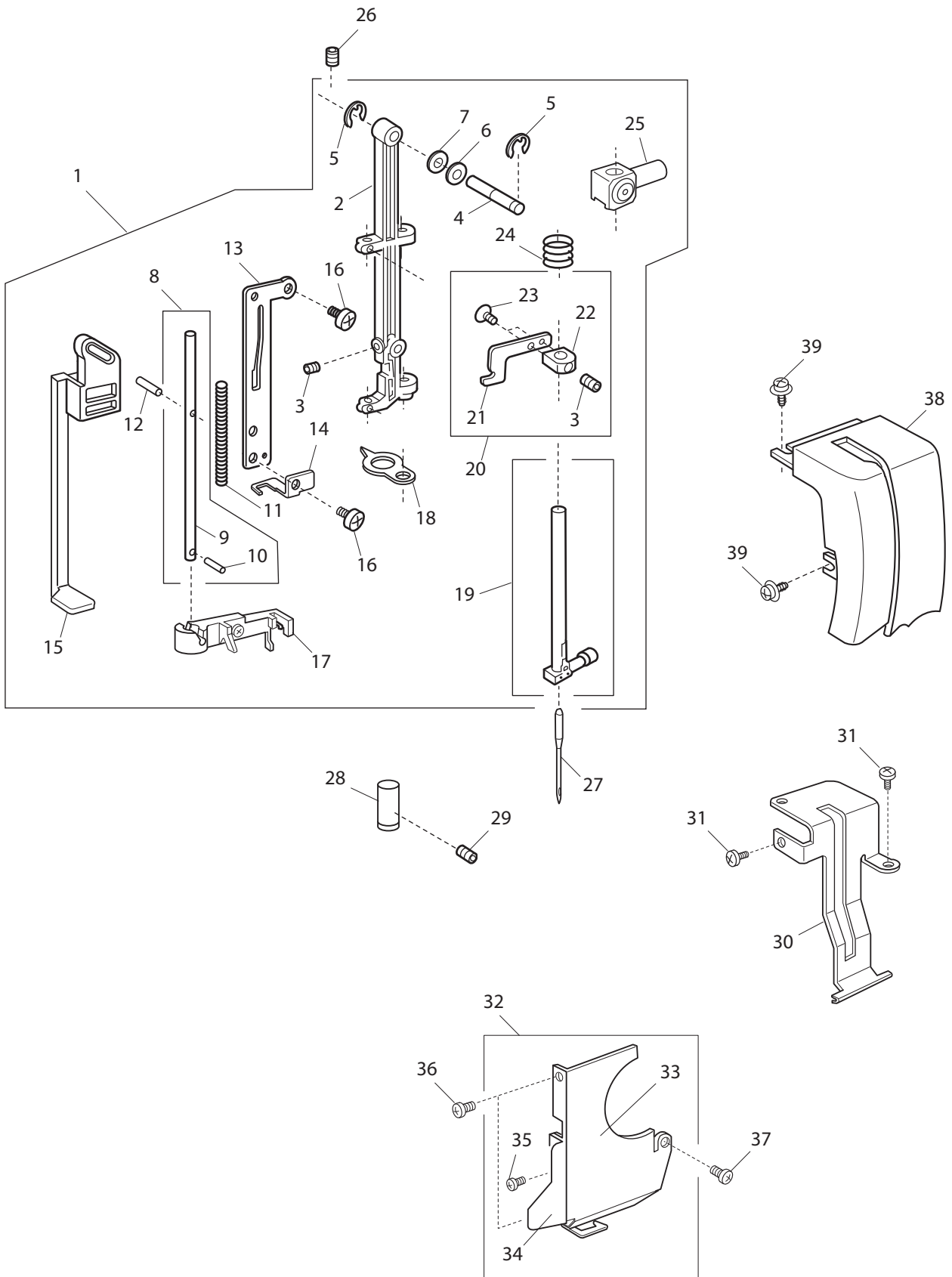
<u>Ref No</u>	<u>Part No</u>	<u>Part Name</u>
1	68004200	Front cover (unit) S18
2	NA	Front cover
3	N/A	Button 2
4	N/A	Button 3
5	68004201	Printed circuit board K (unit)
6	N/A	Setscrew 3x8 (B)
7	NA	Button 1 (Reverse)
8	N/A	Button 1 (Lock stitch)
9	N/A	Button 1 (Needle Up/down)
10	N/A	Button 1 (Thread cutter)
11	68004202	Printed circuit board F (unit)
12	N/A	Setscrew 2.6x8
13	N/A	Snap ring CS-3
14	68004204	Speed control slider
15	68004205	Slide volume (unit)
16	N/A	Stitch pattern panel
17	68004206	Adjustment dial
18	N/A	TP setscrew 4x6
19	68004207	Motor cover
20	N/A	Setscrew 4x12



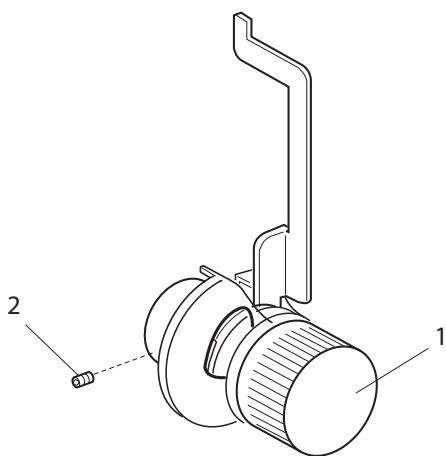
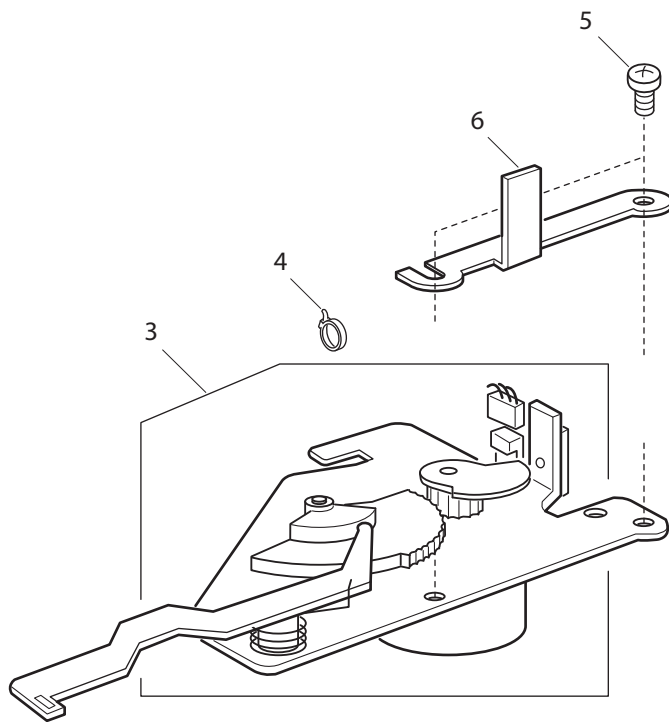
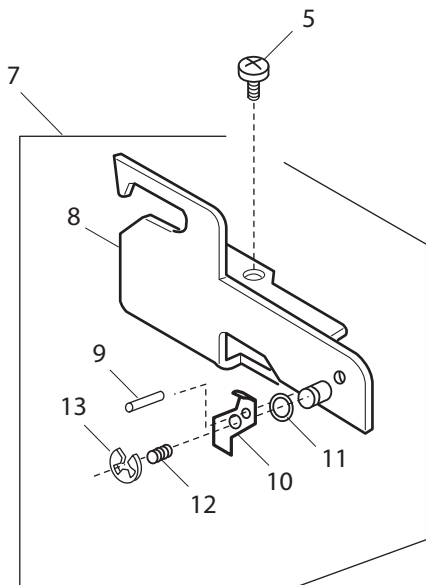
Ref No	Part No	Part Name
1	68004209	Face plate (unit)
2	N/A	Face plate
3	N/A	Presser foot pressure indicator window
4	N/A	Presser plate
5	N/A	Setscrew 3.5x6
6	N/A	Sticker
7	68004043	Thread cutter (unit)
8	N/A	Setscrew 3x5
9	416050701	Washer 4
10	N/A	Setscrew 4x20
11	68004210	Top cover (unit)
12	N/A	Top cover
13	416078801	Carrying handle
14	N/A	Carrying handle support pin
15	416079401	Carrying handle spring
16	N/A	TP setscrew 4x6
17	68004211	Presser foot pressure adjusting dial
18	N/A	Washer
19	N/A	Snap ring CS-20
20	68004212	Top cover thread guide (2) (unit)
21	N/A	Setscrew 3x6
22	N/A	Nut
23	68004213	Thread guide (unit)
24	68004214	Snap ring CS-8
25	416078901	Top cover thread guide (3)
26	68004215	Thread guide stand (unit)
27	68004216	Thread guide stand spring
28	68004217	Bobbin winder (unit)
29	N/A	Setscrew 2x8
30	N/A	Bobbin winder motor cover
31	N/A	Setscrew 4x6
32	416020701	Setscrew 4x10
33	68004218	Bobbin winder stopper
34	416019501	Washer 4
35	68004221	Thread guide
36	68004034	Setscrew 4x25
37	68004222	Base S18
38	68004223	Rubber foot
39	N/A	TP setscrew 4x12
40	416020701	Setscrew 4x10
41	68004226	Base lid (3)



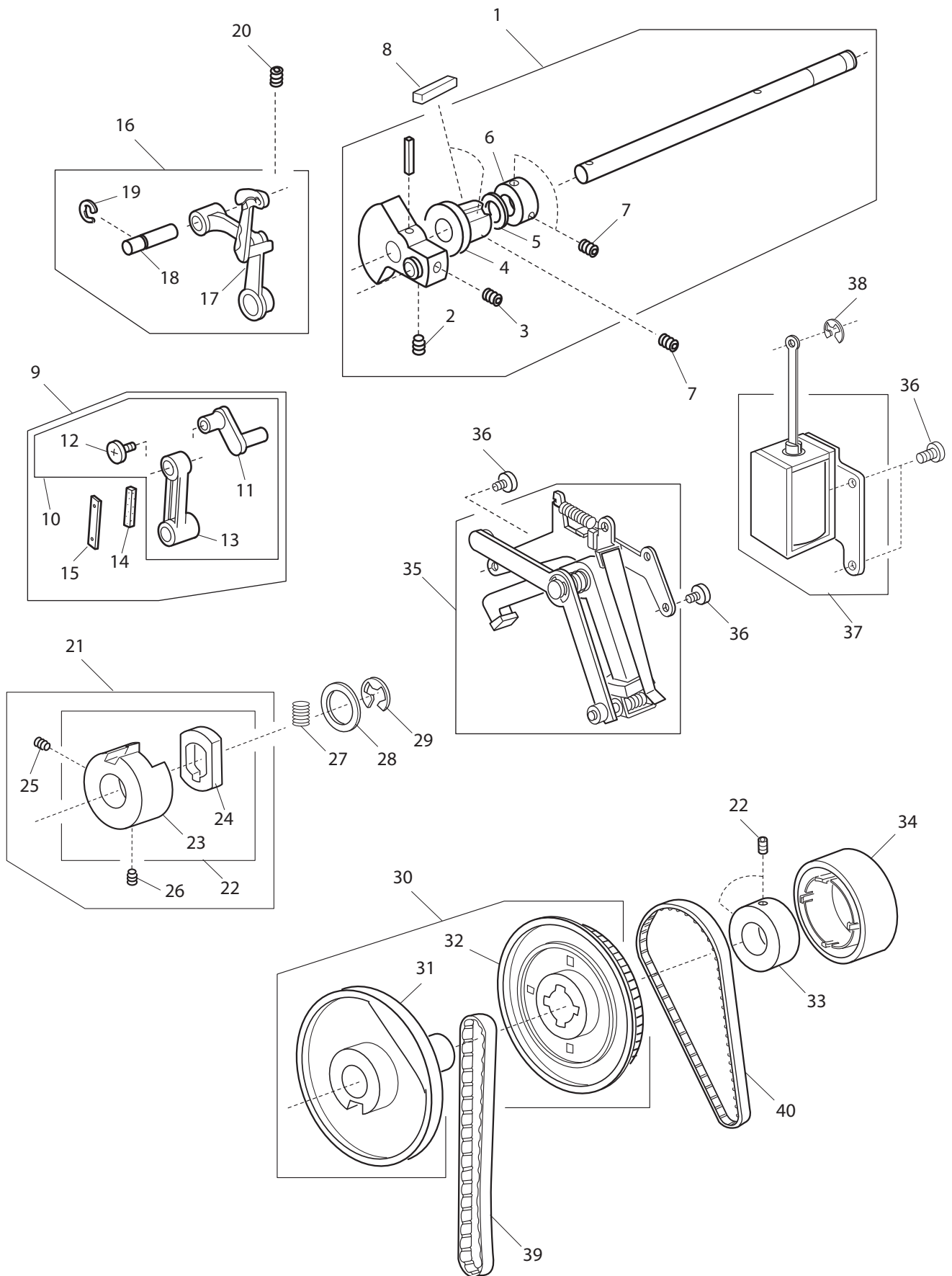
Ref No	Part No	Part Name
1	68004227	Needle plate (unit)
2	N/A	Needle plate
3	N/A	Hook cover plate supporter
4	N/A	Hook cover plate release button
5	N/A	Spring
6	68004228	Rotation stopper
7	N/A	Setscrew 2x4
8	N/A	Setscrew 2x2.3
9	416054501	Setscrew
10	68004229	Hook cover plate
11	68004230	Presser foot lifter
12	68004231	Hinge screw (1)
13	68004232	Thread tension release lever (unit)
14	416021501	Hexagonal socket screw 4x4
15	68004233	Presser bar
16	68004234	Presser foot pressure adjusting screw
17	N/A	Snap ring E-9
18	68004235	Presser foot pressure indicator
19	68004236	Presser bar spring
20	N/A	Presser bar supporter
21	68004237	Presser foot lifter
22	N/A	Spring
23	N/A	Presser foot (unit)
24	68004239	Presser foot holder
25	68004240	Zigzag foot
26	416030201	Thumbscrew
27	68004242	Front bracket (unit)
28	N/A	Front bracket
29	68004243	Printed circuit board G1 (unit)
30	N/A	Setscrew 3x4
31	68004244	Sensor set plate
32	N/A	Buttonhole lever (unit)
33	416017401	Snap ring E-3
34	68004246	Buttonhole lever guide
35	68004247	Spring
36	N/A	Lamp set plate
37	N/A	Lamp socket spring
38	68004248	Lamp socket (unit)
39	N/A	Snap ring E-2
40	N/A	Cord binder
41	416019701	Setscrew 4x8
42	416049301	Wedge base lamp 12V 5W
43	68004249	Presser foot lifter switch (unit)
44	N/A	Micro switch (unit)
45	N/A	Presser foot lifter switch set plate
46	N/A	TP setscrew 2x8
47	N/A	Setscrew 4x6



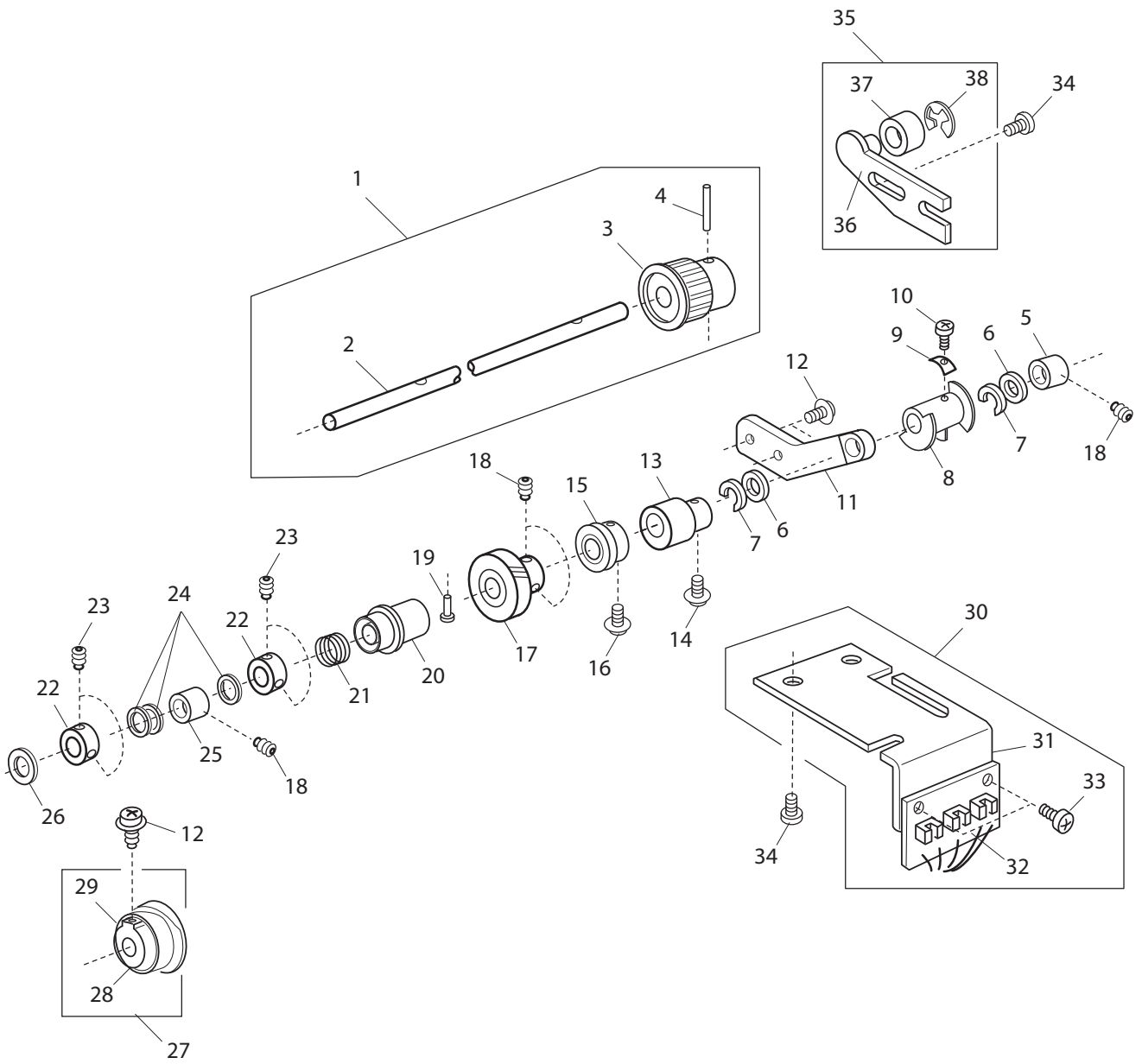
Ref No	Part No	Part Name
1	68004250	Needle bar supporter (unit)
2	N/A	Needle bar supporter
3	N/A	Hexagonal socket screw 3x4
4	N/A	Needle bar supporter pin
5	N/A	Snap ring E-4
6	N/A	Washer 6
7	N/A	Washer
8	68004252	Threader shaft (unit)
9	N/A	Threader shaft
10	N/A	Knock pin 2x8
11	68004254	Needle threader spring
12	68004255	Pin
13	68004256	Threader guide plate
14	68004257	Threader lever plate
15	68004258	Threader lever
16	N/A	Setscrew 3x6
17	68004259	Threader plate (unit)
18	68004260	Supporter guide plate
19	68004261	Needle bar (unit)
20	68004262	Threader positioning setting plate (unit)
21	N/A	Threader positioning setting plate
22	N/A	Threader positioning setting block
23	N/A	Setscrew 2x4
24	68004264	Needle bar supporter spring
25	68004265	Needle bar connecting stud (unit)
26	416021501	Hexagonal socket screw 4x4
27		Needle HA1-14
28	68004266	Pin
29	N/A	Hexagonal socket screw 3x3
30	68004267	Arm thread guide (1)
31	N/A	Setscrew 4x6
32	68004270	Arm thread guide (2) (unit)
33	N/A	Arm thread guide (2)
34	N/A	Face plate guide
35	N/A	Setscrew 3x4
36	N/A	Setscrew 4x6
37	N/A	Setscrew 3x6
38	68004273	Thread guide cover
39	N/A	TP setscrew 4x8



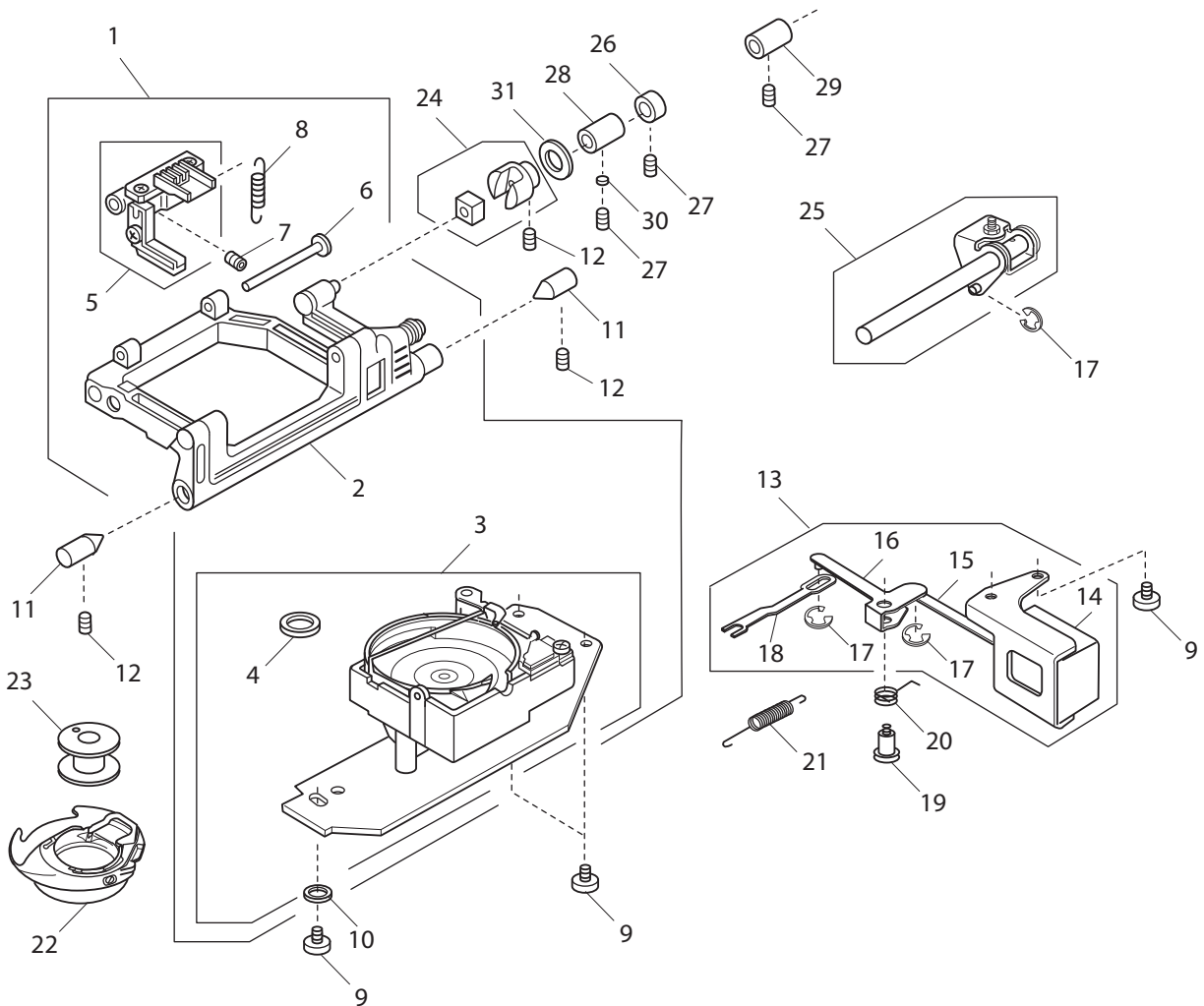
Ref No	Part No	Part Name
1	68004274	Thread tension (unit)
2	416021501	Hexagonal socket screw 4x4
3	68004275	Thread tension release motor (unit)
4	N/A	Cord binder
5	416019701	Setscrew 4x8
6	68004276	Front cover set plate
7	68004277	Top cover thread guide (unit)
8	N/A	Top cover thread guide
9	N/A	Spring pin
10	N/A	Pre-tension plate
11	N/A	Washer
12	N/A	Pre-tension spring
13	N/A	Snap ring E-2



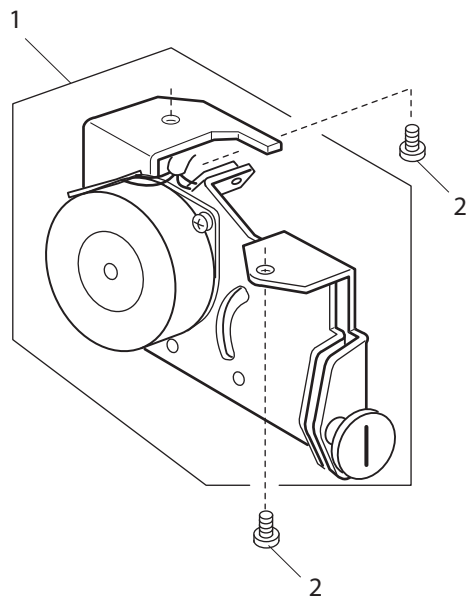
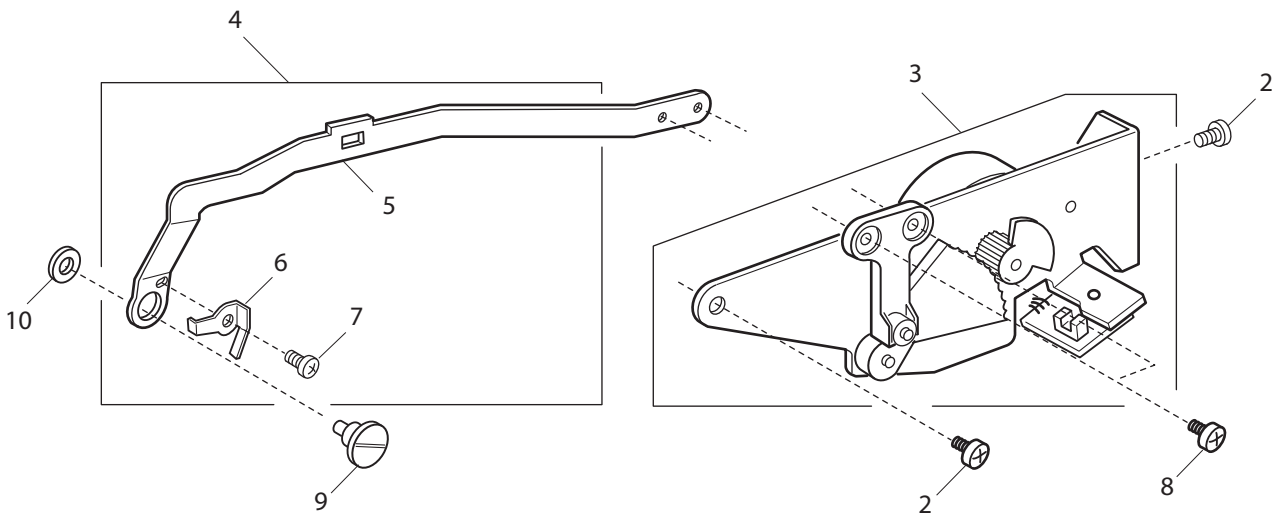
Ref No	Part No	Part Name
1	68004278	Upper shaft (unit)
2	N/A	Setscrew
3	N/A	Setscrew
4	N/A	Upper shaft front bushing
5	N/A	Washer 13x0.5
6	N/A	Ring
7	416021601	Hexagonal socket screw 5x5
8	68004279	Felt
9	68004280	Needle bar crank (unit)
10	68004281	Needle bar crank pin (unit)
11	N/A	Needle bar crank pin
12	N/A	Needle bar crank pin cap
13	N/A	Needle bar crank rod
14	416031201	Felt
15	416031301	Spring
16	68004282	Thread take-up lever (unit)
17	N/A	Thread take-up lever (unit)
18	N/A	Thread take-up lever pin
19	N/A	Snap ring E-6
20	416021501	Hexagonal socket screw 4x4
21	68004283	Clutch base (unit)
22	N/A	Clutch base (unit)
23	N/A	Clutch base
24	N/A	Connecting block
25	N/A	Hexagonal socket screw 5x8
26	N/A	Hexagonal socket screw 5x8
27	68004284	Clutch spring
28	68004285	Washer
29	416049501	Snap ring E-10
30	68004286	Belt wheel (unit)
31	N/A	Clutch cam
32	N/A	Belt wheel
33	68004287	Ring
34	68004288	Handwheel
35	68004289	Clutch base plate (unit)
36	416019701	Setscrew 4x8
37	68004290	Solenoid set plate (unit)
38	416017401	Snap ring E-3
39	68004291	Timing belt
40	68004292	Timing belt



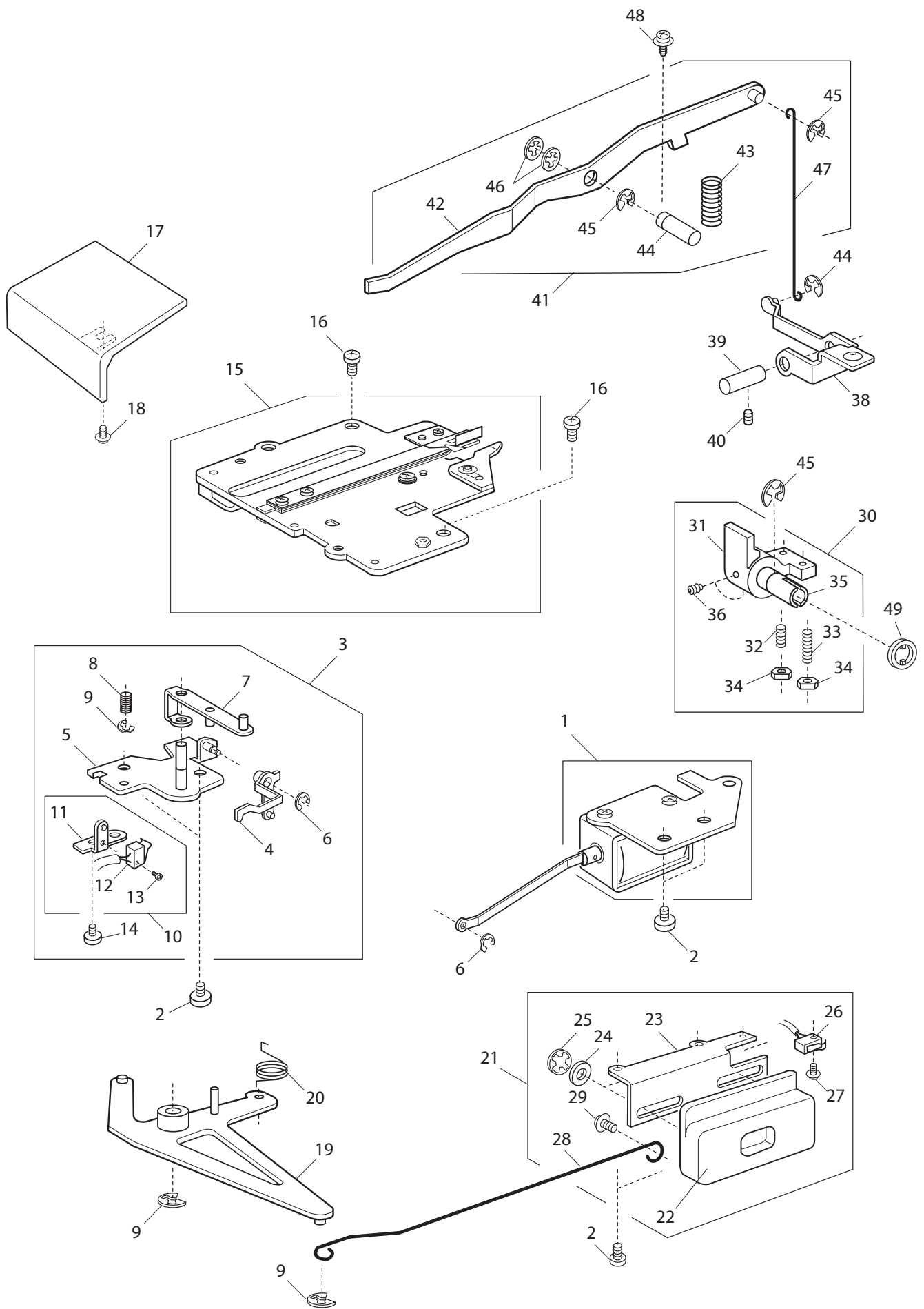
Ref No	Part No	Part Name
1	68004294	Lower shaft (unit)
2	N/A	Lower shaft
3	N/A	Lower shaft gear
4	68004295	Knock pin 3x18
5	416031801	Lower shaft bushing (rear)
6	68004297	Felt (1)
7	68004298	Felt holder
8	68004299	Lower shaft shielding plate
9	68004301	Washer
10	416385501	Setscrew 3x10
11	68004300	Lower shaft supporter
12	N/A	Setscrew TP 4x12
13	68004303	Feed cam
14	68004304	Setscrew 3x14
15	68004305	Thread drawing lever cam
16	68004306	Setscrew TP 3x12
17	416031601	Lower shaft gear
18	416021601	Hexagonal socket screw 5x5
19	416041401	Feed lifting pin
20	68004313	Feed lifting cam
21	68004314	Feed lifting cam spring
22	416041501	Lower shaft ring
23	416021501	Hexagonal socket screw 4x4
24	416018801	Washer 8x0.5
25	416031701	Lower shaft bushing (front)
26	416035201	Felt
27	68004319	Cam (unit)
28	N/A	Cam (1)
29	N/A	Cam (2)
30	68004320	Lower shaft sensor (unit)
31	N/A	Sensor set plate
32	N/A	Printed circuit board P (unit)
33	N/A	Setscrew 3x4
34	416019701	Setscrew 4x8
35	68004321	Idler (unit)
36	N/A	Idler base
37	N/A	Idler
38	N/A	Snap ring E-6



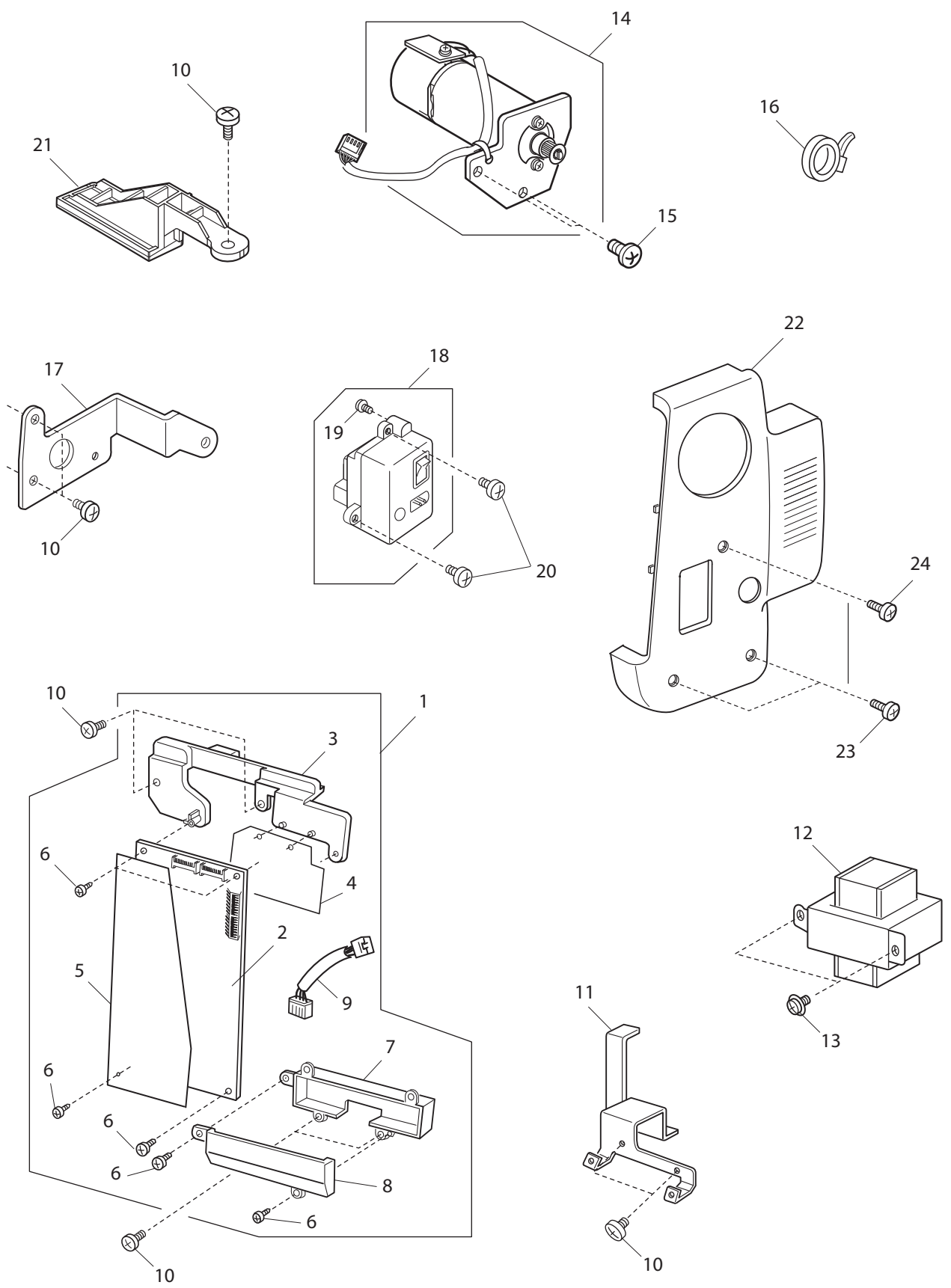
Ref No	Part No	Part Name
1	N/A	Feed lock shaft (unit)
2	68004324	Feed lock shaft (unit)
3	68004325	Hook race (unit)
4	416029601	Magnet
5	68004326	Feed dog set base (unit)
6	N/A	Pin
7	N/A	Hexagonal socket screw 4x6
8	68004342	Feed base spring
9	416019701	Setscrew 4x8
10	N/A	Washer 4
11	N/A	Straight pin
12	416021601	Hexagonal socket screw 5x5
13	68004347	Bobbin stopper solenoid (unit)
14	N/A	Solenoid (unit)
15	N/A	Solenoid rod (B)
16	N/A	Bobbin stopper converting arm
17	416017401	Snap ring E-3
18	N/A	Bobbin stopper rod
19	68004343	Hinge screw
20	68004344	Arm spring
21	68004345	Safety spring
22	68004346	Bobbin holder (unit)
23	68004348	Bobbin
24	68004349	Feed regulator (unit)
25	68004350	Feed shaft (unit)
26	416041701	Ring
27	416021501	Hexagonal socket screw 4x4
28	416029401	Feed shaft bushing (front)
29	416032001	Feed shaft bushing (rear)
30	416032501	Cushion
31	68004351	Felt



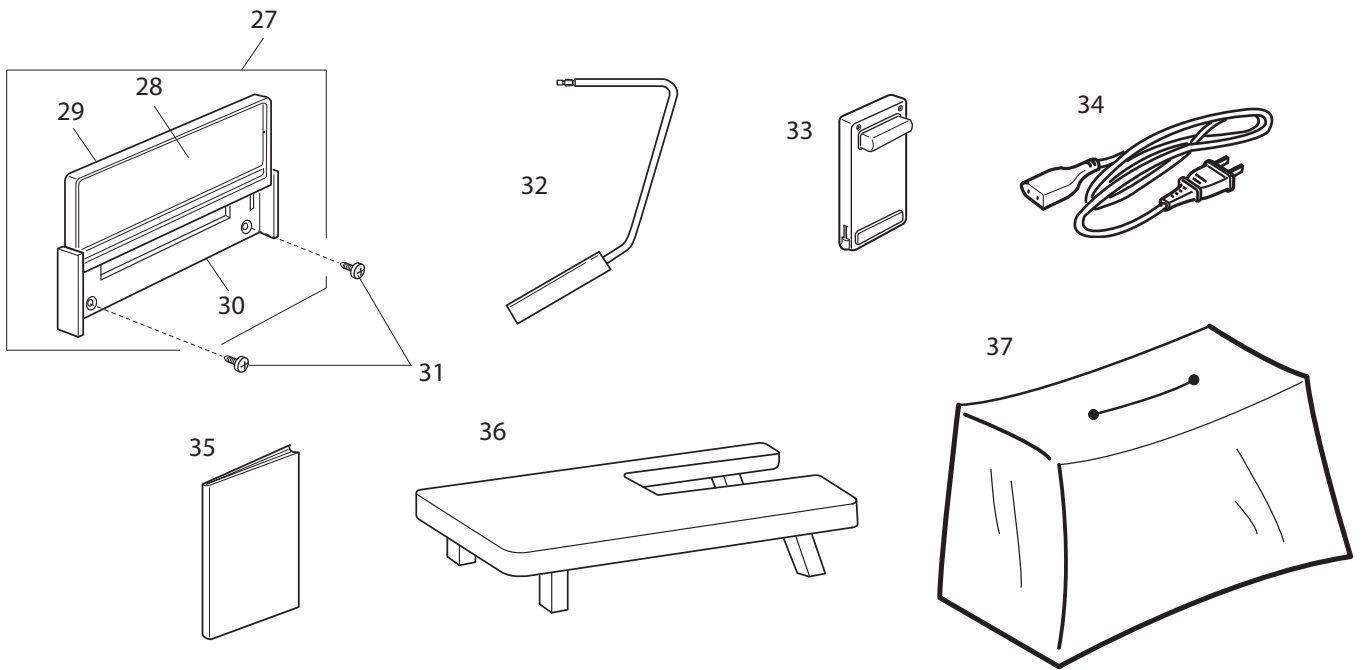
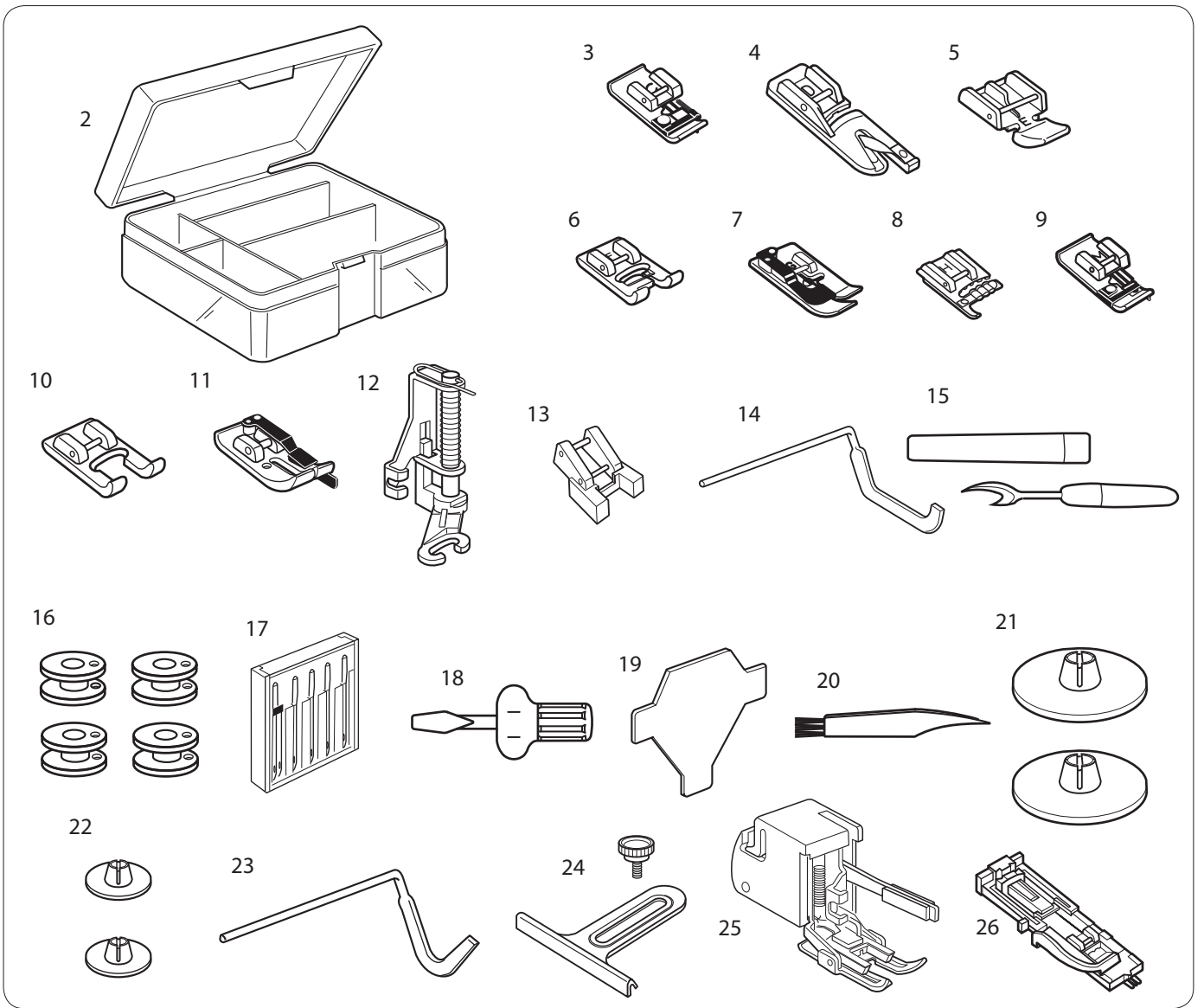
<u>Ref No</u>	<u>Part No</u>	<u>Part Name</u>
1	68004354	Feed motor (unit)
2	416019701	Setscrew 4x8
3	68004355	Zigzag width motor (unit)
4	68004356	Zigzag width rod (unit)
5	N/A	Zigzag width rod
6	N/A	Zigzag width rod spring
7	N/A	Setscrew 2x3
8	N/A	Setscrew 3x6
9	68004357	Eccentric pin
10	68004358	Washer



Ref No	Part No	Part Name
1	68004359	Thread cutter solenoid (unit)
2	416019701	Setscrew 4x8
3	68004360	Drive link (unit)
4	N/A	Drive link
5	N/A	Driving arm shaft base
6	416017401	Snap ring E-3
7	N/A	Driving arm (1)
8	N/A	Spring
9	N/A	Snap ring E-4
10	68004361	Thread cutter sensor (unit)
11	N/A	Thread cutter sensor base
12	N/A	Micro switch (unit)
13	N/A	Setscrew 2x8
14	N/A	Setscrew 3x4
15	68004362	Thread cutter (unit)
16	N/A	Setscrew 4x6
17	68004363	Thread cutter cover
18	N/A	TP setscrew 4x6
19	68004364	Drop feed lever
20	68004365	Drop feed lever spring
21	68004366	Feed dog drop lever (unit)
22	N/A	Feed dog drop lever
23	N/A	Feed dog drop lever set plate
24	N/A	Washer
25	N/A	Snap ring CS-5
26	68004367	Micro switch (unit)
27	N/A	TP Setscrew 2x8
28	N/A	Rod
29	68004368	Setscrew 3x10
30	68004369	Knee lifter lever (1) (unit)
31	N/A	Knee lifter lever (1)
32	N/A	Hexagonal socket screw 5x25
33	N/A	Hexagonal socket screw 5x30
34	N/A	Nut
35	N/A	Knee lifter shaft
36	N/A	Hexagonal socket screw 5x8
37	N/A	Snap ring E-9
38	68004370	Knee lifter lever (2)
39	68004371	Supporter shaft
40	416021501	Hexagonal socket screw 4x4
41	68004372	Knee lifter lever (3) (unit)
42	N/A	Knee lifter lever (3)
43	N/A	Knee lifter lever spring
44	N/A	Knee lifter lever shaft
45	416017301	Snap ring E-5
46	N/A	Snap ring CS-6
47	68004373	Presser foot lifter drag rod
48	N/A	TP Setscrew 4x10
49	68004374	Knee lifter slip guard



Ref No	Part No	Part Name
1	68004375	Printed circuit board A (unit) COMPL
2	68004376	Printed circuit board A
3	N/A	Set plate
4	N/A	Insulation paper (1)
5	N/A	Insulation paper (2)
6	N/A	Tapping screw 3x8 (B)
7	N/A	Circuit board case
8	N/A	Lid
9	68004377	Cord (unit)
10	416019701	Setscrew 4x8
11	68004378	Supporter (120V)
12	68004379	Transformer (unit) (120V)
13	N/A	TP Setscrew 4x6
14	68004380	Motor (unit)
15	N/A	TP setscrew 4x8
16	68004139	Cord binder
17	68004381	Set plate
18	68004382	Machine socket (unit)
19	416021301	Setscrew 3x10 (B)
20	416020701	Setscrew 4x10
21	68004383	Cover
22	68004384	Belt cover
23	N/A	Setscrew 4x12
24	68004385	Setscrew 4x6



Ref No	Part No	Part Name
1	68004387	Accessories (unit)
2	N/A	Accessory case
3	416042601	Overlock foot
4	68004390	Hemmer foot
5	416044401	Zipper foot
6	68004391	Satin stitch foot
7	68004392	Blind hem foot
8	68004393	Multi-cord foot
9	68004394	Overedge foot
10	68004395	Open toe satin stitch foot
11	68004396	Scant 1/4" foot
12	68004397	Open toe embroidery/darning foot
13	68004398	Button foot
14	416047301	Quilt guide
15	416030401	Seam ripper
16	68004348	Bobbin
17		Set of needles
18	412381501	Screwdriver
19	68004399	Screw key
20	416040901	Lint brush
21	416078401	Large spool holders
22	416042401	Small spool holders
23	68004402	Quilt guide
24	68004403	Cloth guide
25	68004404	Walking foot
26	416039201	Automatic buttonhole foot
27	68004405	Quick reference chart (unit)
28	N/A	Quick reference chart
29	N/A	Quick reference chart frame
30	N/A	Quick reference chart base
31	N/A	Setscrew 4x18
32	416079701	Knee lifter
33	68004406	Foot control
34	416054401	Power supply cord
35	471004226	Instruction book
36	68004407	Quilt table
37	68004408	Cover