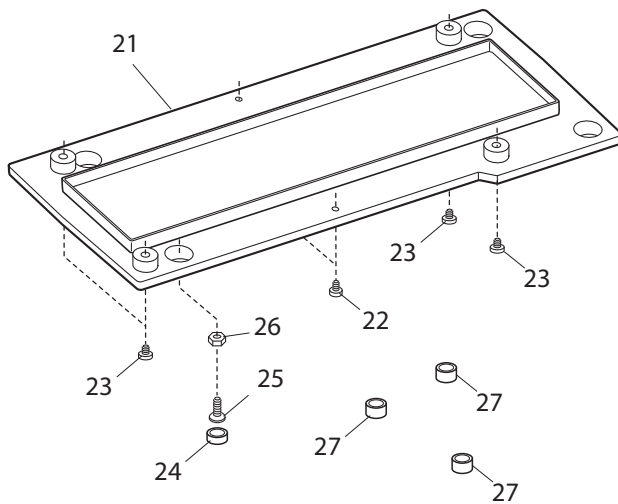
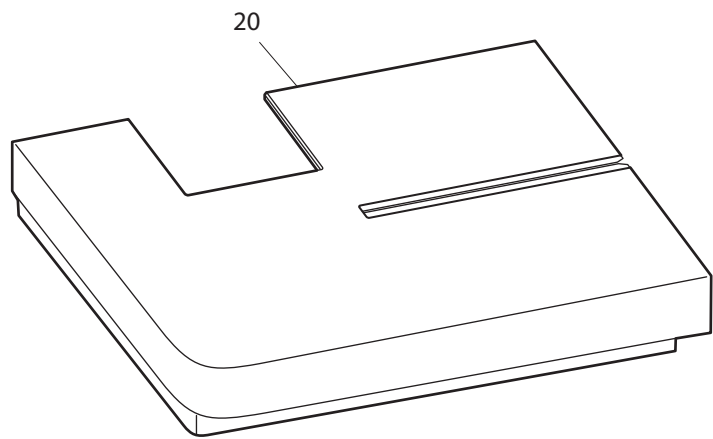
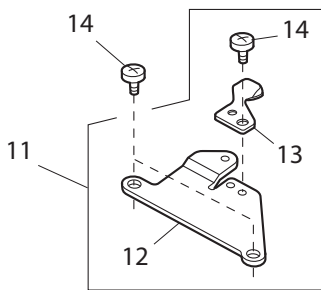
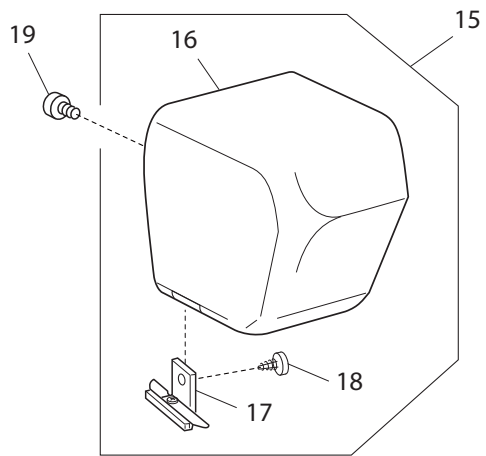
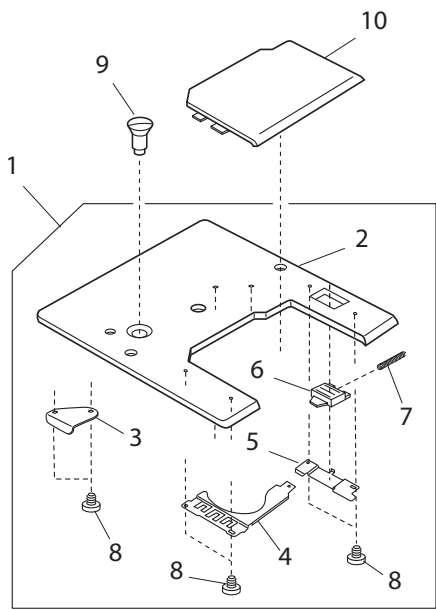




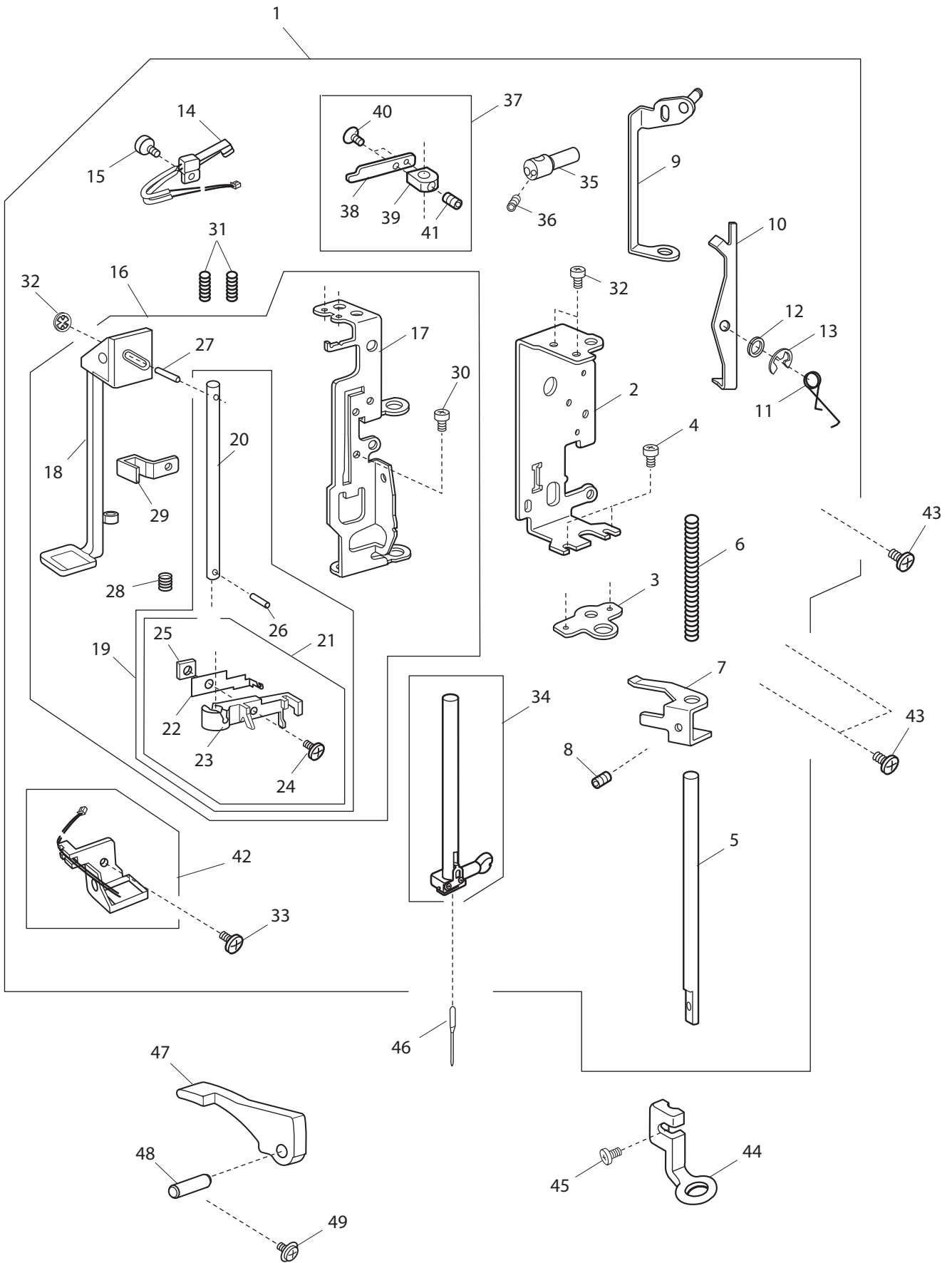
SINGER®

S10

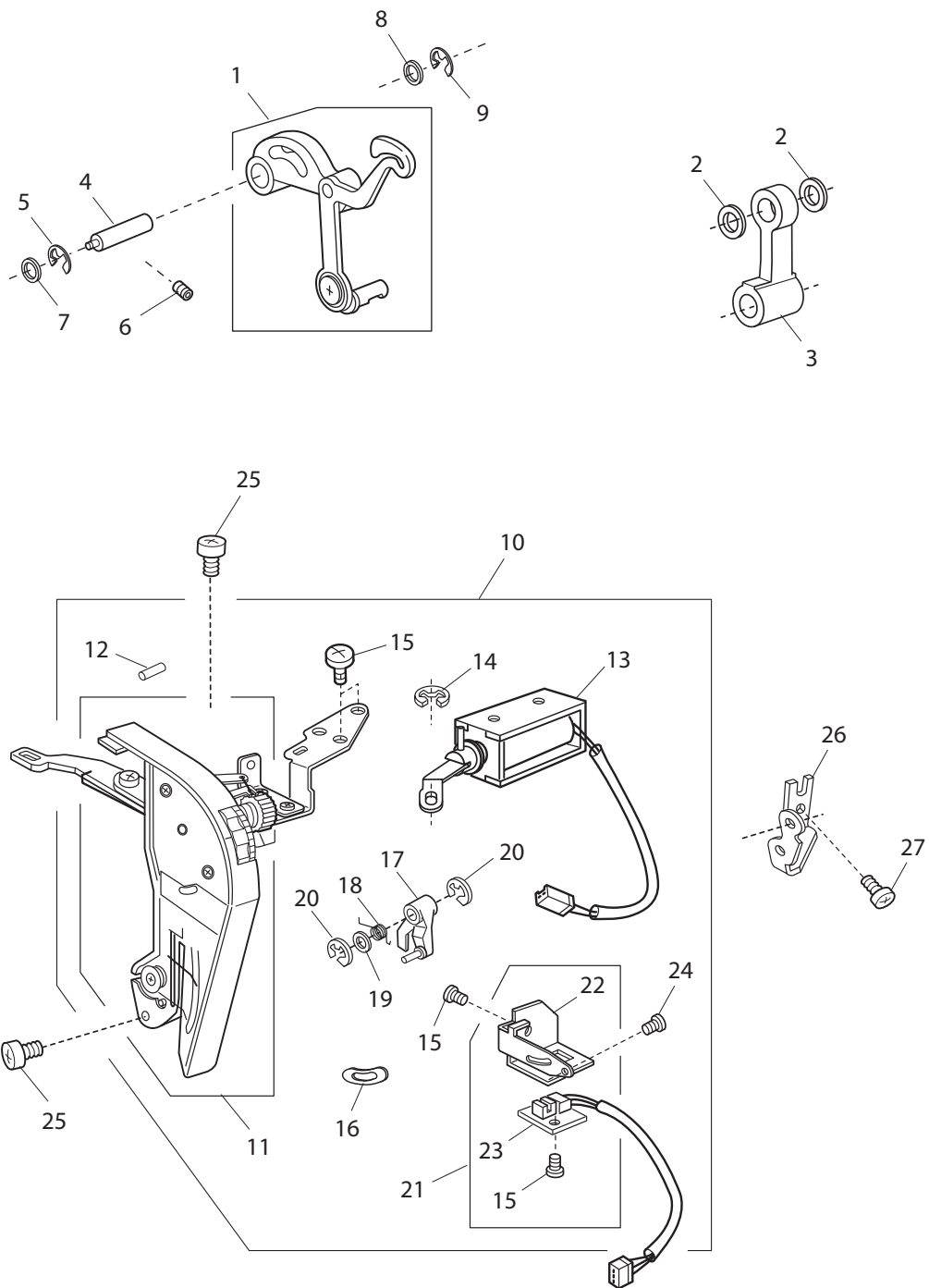
Liste de pièces
Lista de Piezas
Parts List



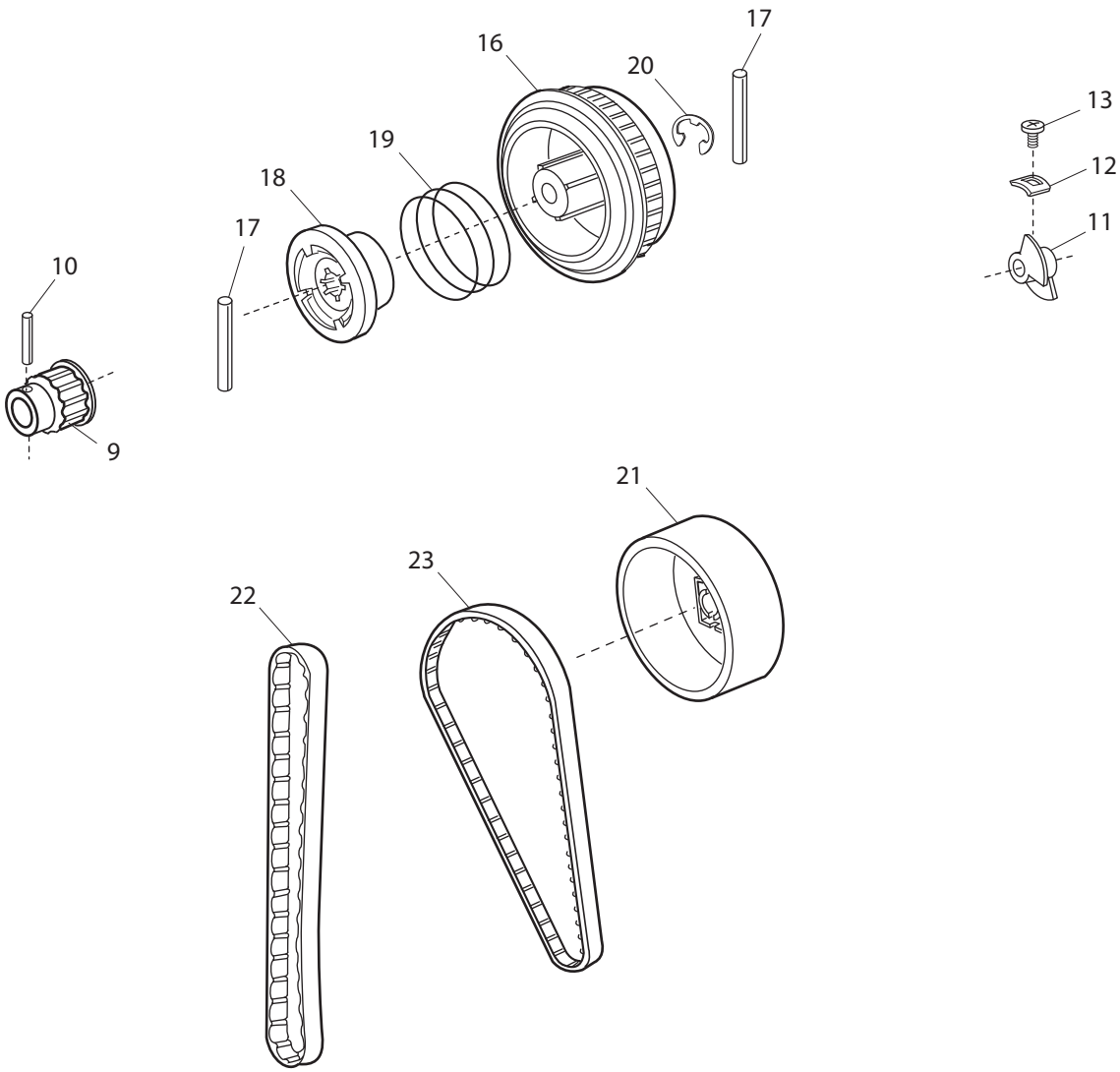
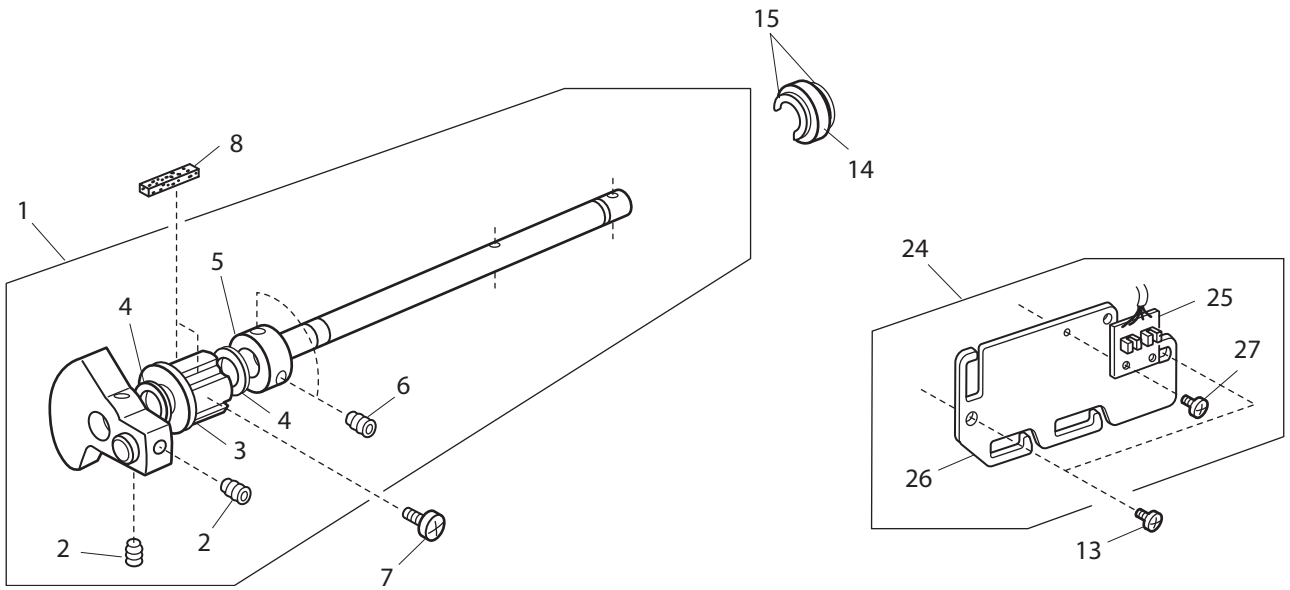
Ref No	Part No	Part Name
1	68004558	Needle plate (unit)
2	N/A	Needle plate
3	68004559	Rotation stopper
4	N/A	Hook cover plate supporter (left)
5	N/A	Hook cover plate supporter (right)
6	N/A	Hook cover plate release button
7	416043101	Spring
8	N/A	Setscrew 2x2.3
9	416054501	Needle plate setscrew
10	68004561	Hook cover plate
11	68004562	Needle plate set plate (unit)
12	N/A	Needle plate set plate (left)
13	N/A	Bobbin holder stopper
14	N/A	Setscrew
15	68004563	Face cover (unit)
16	N/A	Face cover
17	68004564	Thread cutter (unit)
18	N/A	Setscrew 3x8 (B)
19	N/A	Setscrew 4x14
20	68004565	Bed cover (unit)
21	68004566	Bottom cover
22	N/A	Setscrew 3x10
23	416019701	Setscrew 4x8
24	416034801	Rubber cushion
25	416020201	Setscrew 5x25
26	416050201	Hexagonal nut 5-3-8
27	68004590	Rubber cushion



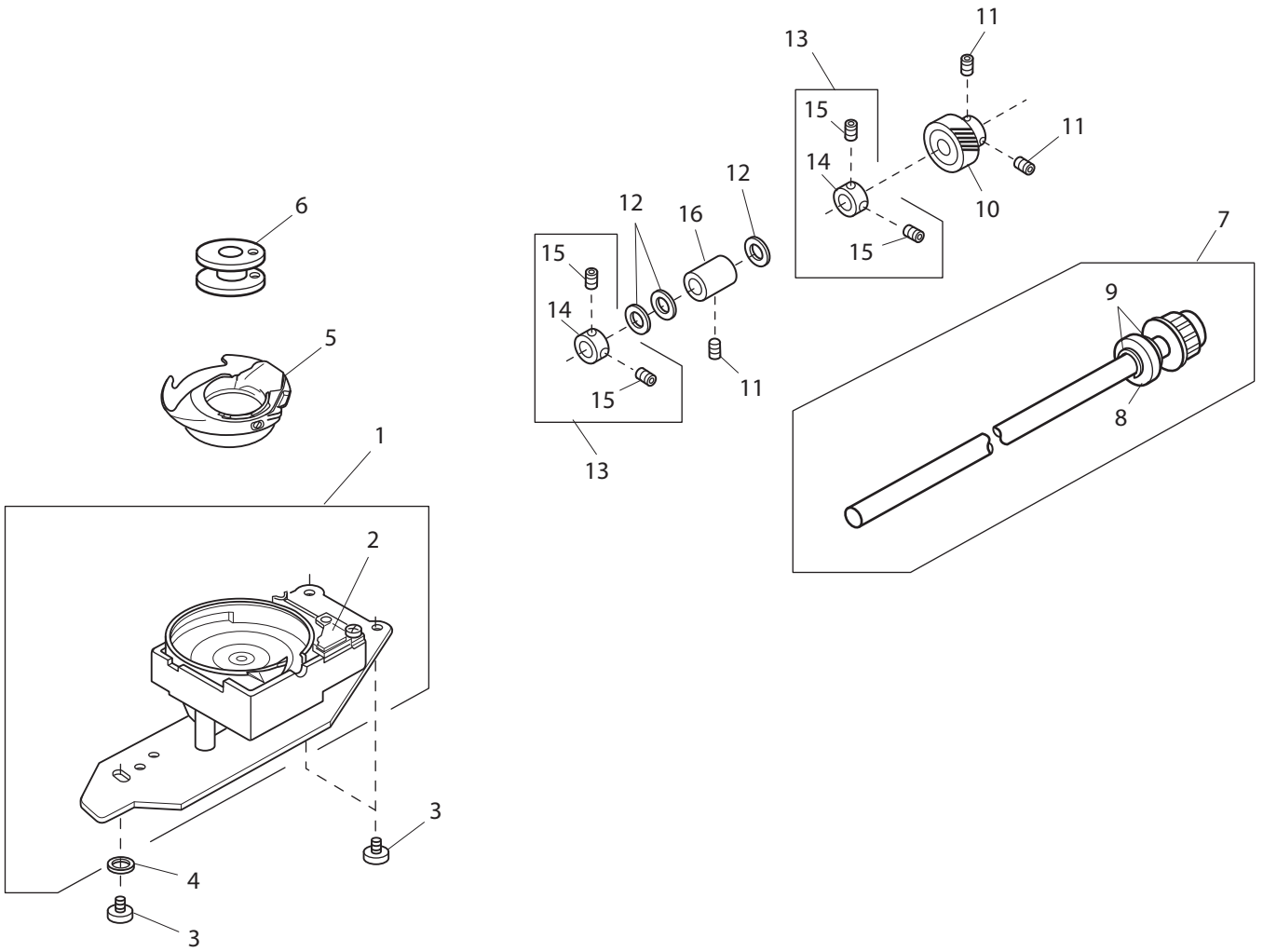
Ref No	Part No	Part Name
1	68004569	Presser bar base plate (unit)
2	N/A	Presser bar base plate
3	N/A	Needle drop adjusting plate
4	N/A	Setscrew 3.5x5
5	68004570	Presser bar
6	68004574	Presser bar spring
7	N/A	Presser bar supporter
8	N/A	Hexagonal socket screw 4x8
9	N/A	Presser bar guide plate
10	N/A	Tension release lever
11	68004571	Tension release lever spring
12	N/A	Washer 5
13	N/A	Snap ring E-4
14	68004572	Switch (unit)
15	N/A	Setscrew 2.5x5
16	68004573	Needle threader (unit)
17	N/A	Needle bar supporter
18	N/A	Threader lever
19	68004575	Threader shaft (unit)
20	N/A	Threader shaft
21	68004576	Threader plate (unit)
22	68004577	Threader plate
23	N/A	Threader guard plate
24	N/A	Setscrew
25	N/A	Nut
26	N/A	Spring pin 2x8
27	N/A	Pin E 2x16-CH
28	N/A	Threader shaft spring
29	N/A	Threader lever plate
30	N/A	Setscrew 3x4
31	68004578	Threader spring
32	68004579	Snap ring CS-2
33	N/A	Setscrew 4x6
34	68004580	Needle bar (unit)
35	416036701	Needle bar connecting stud
36	416021501	Hexagonal socket screw 4x4
37	68004587	Threader positioning setting plate (unit)
38	N/A	Threader positioning setting plate
39	N/A	Needle threader setting base
40	N/A	Setscrew 2x4
41	N/A	Hexagonal socket screw 3x4
42	68004582	Printed circuit board L (unit)
43	416019701	Setscrew 4x8
44	68004583	Presser foot
45	68004584	Setscrew 3.5x10
46		Needle
47	68004585	Presser bar lifter
48	68004586	Presser bar lifter pin
49	N/A	Setscrew TP 4x8



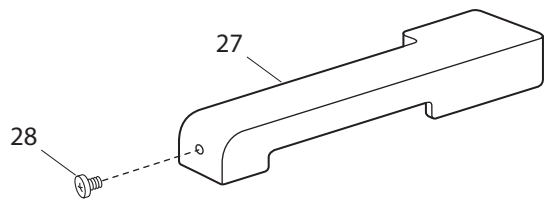
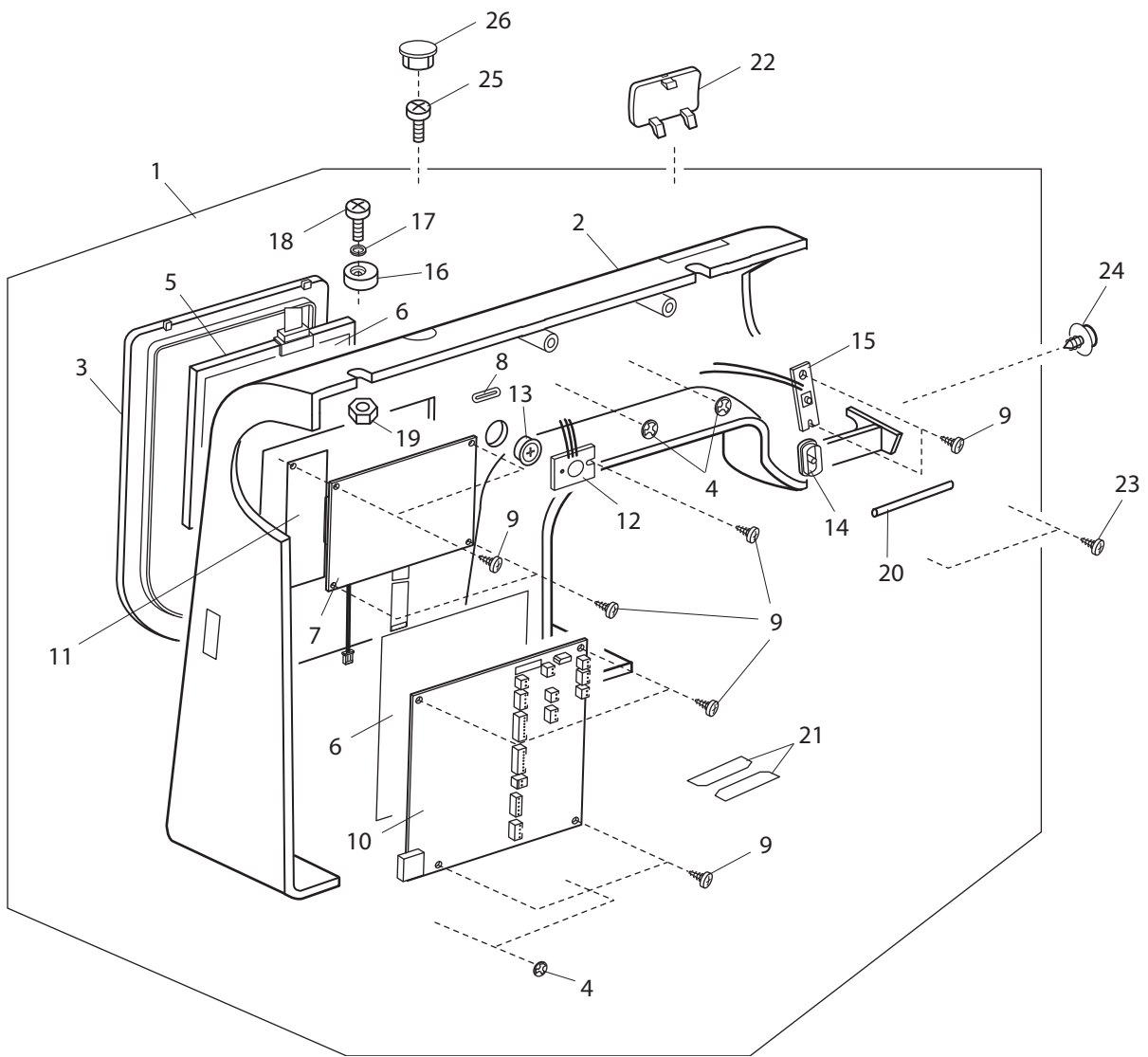
Ref No	Part No	Part Name
1	68004591	Thread take-up lever (unit)
2	68004592	Washer FT80
3	68004593	Needle bar crank rod
4	68004594	Thread take-up lever pin
5	N/A	Snap ring E-6
6	416021501	Hexagonal socket screw 4x4
7	68004595	Washer FT40
8	68004596	Washer
9	416017401	Snap ring E-3
10	68004597	Thread tension (unit)
11	68004598	Thread tension (unit)
12	N/A	Spring pin 1.6X18 (K)
13	68004626	Solenoid (unit)
14	416017401	Snap ring E-3
15	N/A	Setscrew 3x4
16	68004628	Cushion
17	N/A	Thread break detection lever (unit)
18	68004630	Detection lever spring
19	416019501	Washer 4
20	416017201	Snap ring E-2.5
21	68004636	Sensor base plate (unit)
22	N/A	Sensor set plate
23	N/A	Printed circuit board G1 (unit)
24	N/A	Setscrew 3x6
25	416019701	Setscrew 4x8
26	68004637	Front cover set plate
27	N/A	Setscrew 4x6



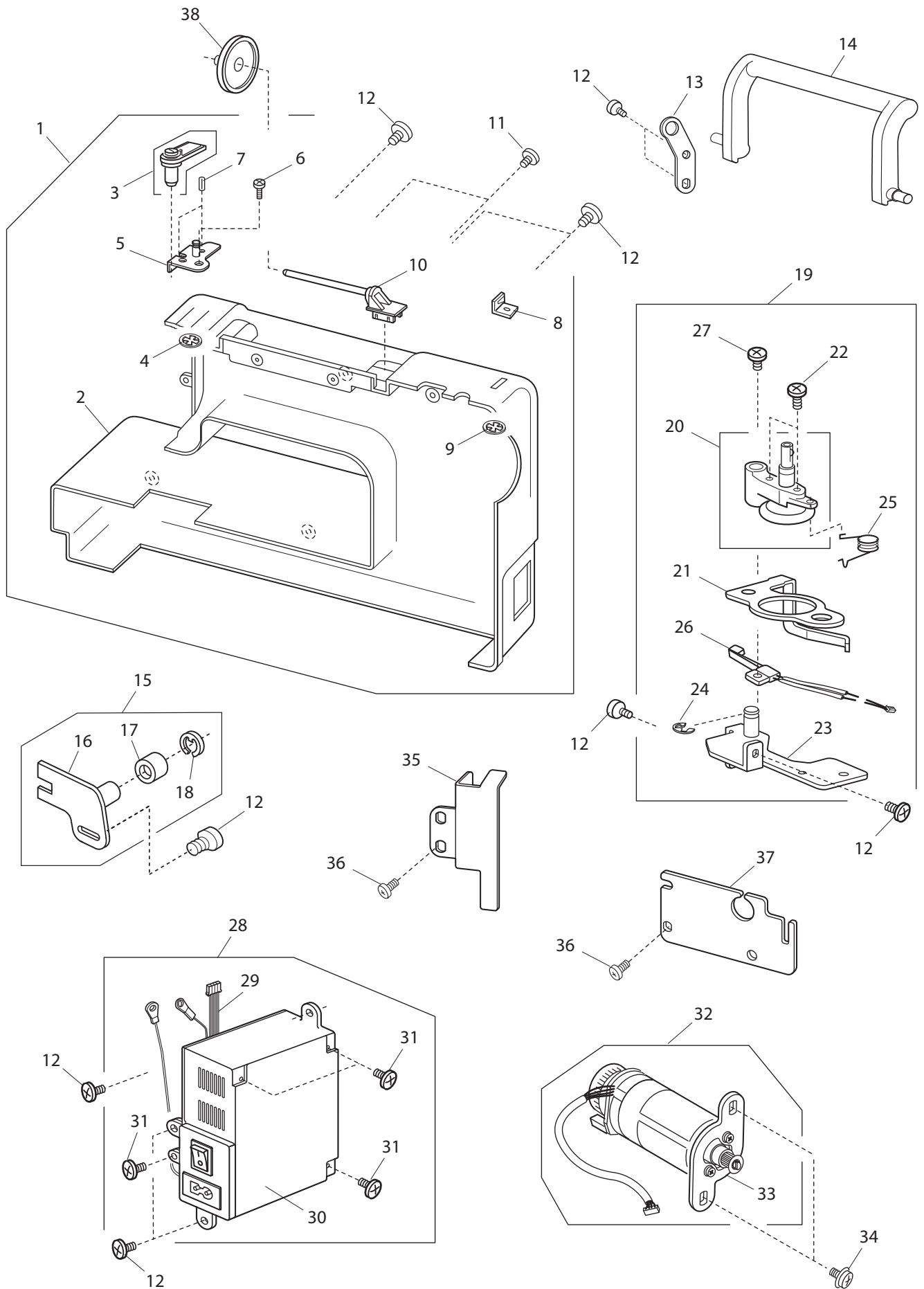
Ref No	Part No	Part Name
1	68004650	Upper shaft (unit)
2	N/A	Hexagonal socket screw 5x4
3	N/A	Upper shaft front bushing
4	N/A	Washer FT102
5	416054001	Ring
6	416021601	Hexagonal socket screw 5x5
7	N/A	Setscrew 5x10
8	416034601	Felt
9	68004651	Upper shaft timing gear
10	416018301	Spring pin 3x22
11	68004652	Upper shaft shield plate
12	N/A	Washer
13	N/A	Setscrew 4x8
14	N/A	Ball bearing 6800ZZ
15	N/A	Snap ring 5103-37
16	N/A	Belt wheel
17	N/A	Spring pin 3x30
18	N/A	Clutch ring
19	N/A	Clutch spring
20	N/A	Snap ring E-8
21	68004659	Handwheel
22	416702101	Timing belt
23	68004660	Timing belt
24	68004661	Upper shaft sensor (unit)
25	N/A	Printed circuit board P (unit)
26	N/A	Upper shaft sensor base plate
27	N/A	Setscrew 3x4



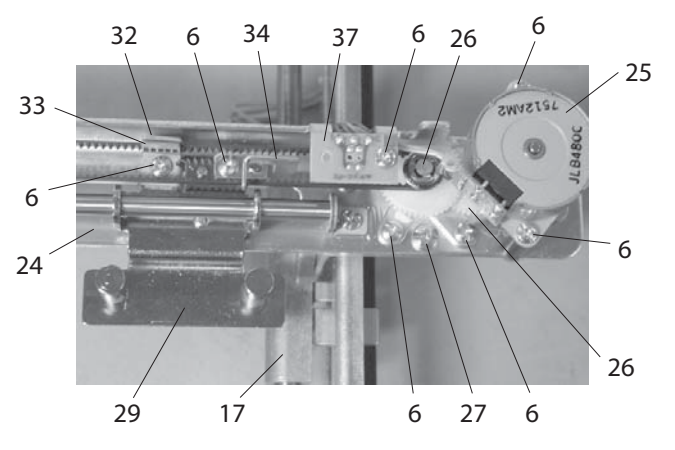
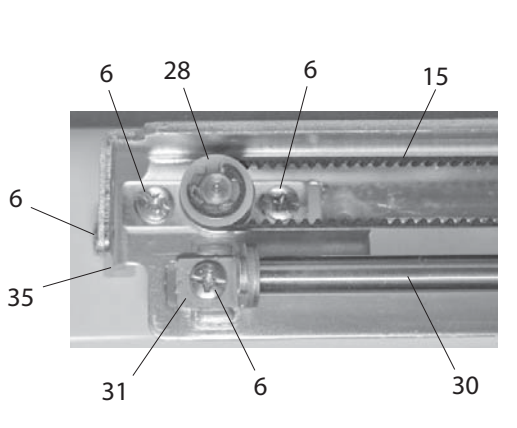
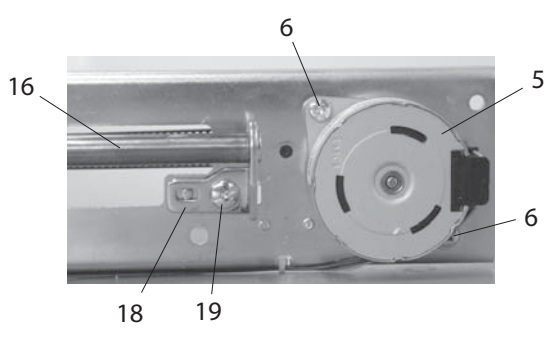
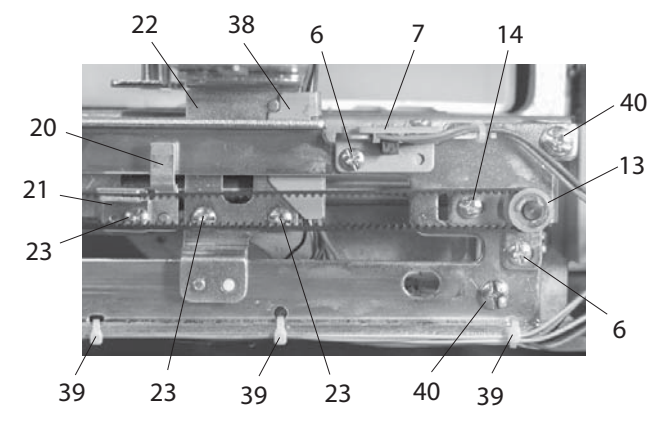
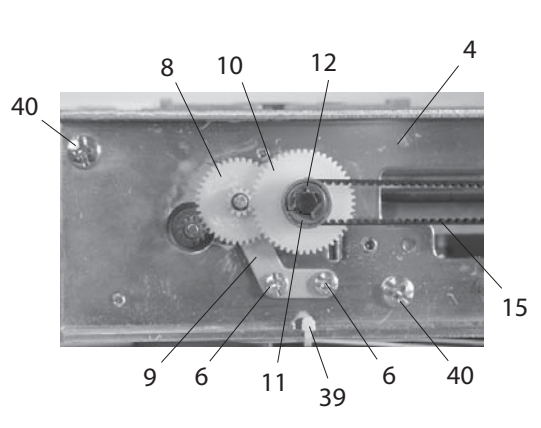
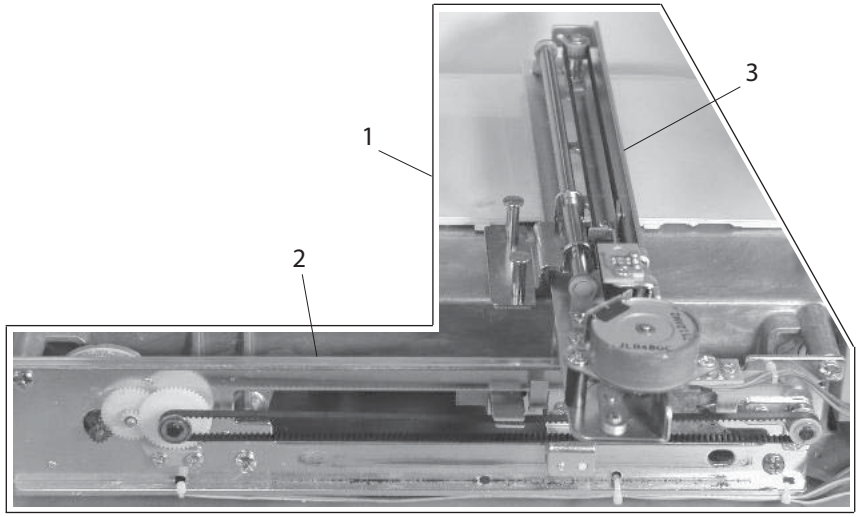
Ref No	Part No	Part Name
1	68004662	Hook race (unit)
2	68004663	Bobbin holder stopper (unit)
3	416019701	Setscrew 4x8
4	N/A	Washer 4
5	68004664	Bobbin holder (unit)
6	68004348	Bobbin
7	68004665	Lower shaft (unit)
8	N/A	Ball bearing 698ZZ
9	N/A	Snap ring 5103-31
10	416031601	Lower shaft gear
11	416021601	Hexagonal socket screw 5x5
12	416018801	Washer 8x0.5
13	N/A	Lower shaft ring (unit)
14	416041501	Lower shaft ring
15	416021501	Hexagonal socket screw 4x4
16	416031701	Lower shaft bushing (front)



Ref No	Part No	Part Name
1	68004666	Front cover (unit)
2	N/A	Front cover
3	68004667	Touch panel frame
4	N/A	Snap ring CS-3
5	68004668	Touch panel (unit)
6	68004669	Touch panel sheet
7	68004670	LCD (unit)
8	N/A	Core
9	N/A	Setscrew 3x8
10	68004671	Printed circuit board A (unit)
11	N/A	EMI sheet
12	68004672	Printed circuit board Z (unit)
13	68004673	LCD brightness adjusting knob
14	68004674	Start/stop button
15	68004675	Printed circuit board F (unit)
16	416034901	Bobbin winder stopper
17	416019501	Washer 4
18	N/A	Setscrew 4x16
19	N/A	Hexagonal nut 4-3-7
20	68004676	Thread guide
21	N/A	Sheet 2
22	68004677	Front cover lid
23	N/A	Setscrew 3x16
24	N/A	Setscrew TP 4x6
25	N/A	Setscrew 4x16
26	416054301	Cap
27	68004678	Carriage cover
28	N/A	Setscrew 3x5

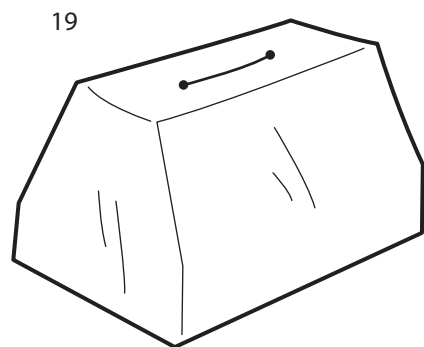
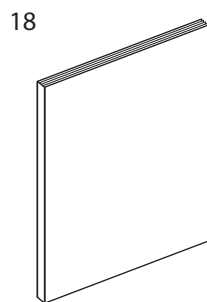
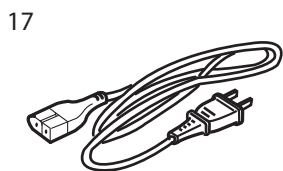
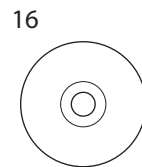
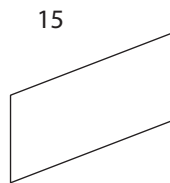
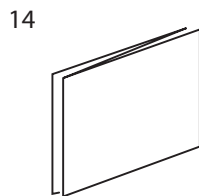
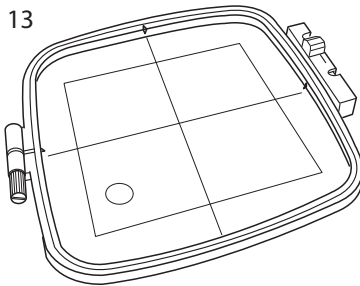
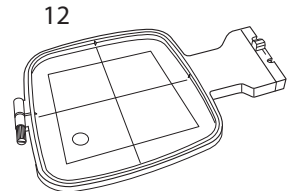
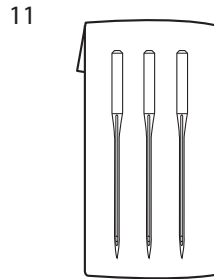
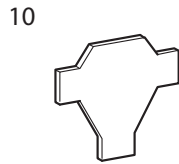
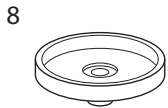
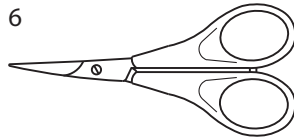
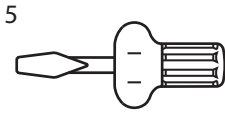
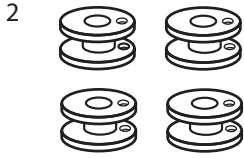


Ref No	Part No	Part Name
1	68004679	Rear cover (unit)
2	N/A	Rear cover
3	68004680	Thread guide (unit)
4	416018201	Snap ring CS-8
5	68004681	Top cover thread guide
6	416022601	Setscrew 2.6x5
7	N/A	Spring pin 2x8
8	68004043	Thread cutter (unit)
9	N/A	Snap ring CS-3
10	68004682	Spool pin
11	N/A	Setscrew 4x12
12	416019701	Setscrew 4x8
13	68004683	Handle base plate
14	68004684	Handle
15	68004685	Idler (unit)
16	N/A	Idler base
17	N/A	Idler
18	N/A	Snap ring E-6
19	68004686	Bobbin winder (unit)
20	68004687	Bobbin winder (unit)
21	N/A	Clutch release plate
22	N/A	Setscrew 3x8
23	N/A	Bobbin winder base plate
24	416017301	Snap ring E-5
25	68004688	Bobbin winder spring
26	68004690	Switch (unit)
27	N/A	Setscrew 2.5x5
28	68004691	Switching power supply (unit)
29	N/A	Harness (unit)
30	N/A	Switching power supply case
31	N/A	Setscrew 3x12
32	68004692	DC motor (unit)
33	N/A	DC motor bracket
34	N/A	Setscrew TP 5x10
35	68004724	Cord guide 1
36	N/A	Setscrew 4x6
37	68004693	Cord guide 2
38	416078401	Spool holder (large)



Ref No	Part No	Part Name
1	N/A	Carriage (unit)
2	68004709	X-carriage (unit)
3	68004710	Y-carriage (unit)
4	N/A	Carriage base
5	68004712	Stepping motor (unit)
6	N/A	Setscrew 3x5
7	68004713	X-sensor (unit)
8	N/A	Gear
9	N/A	Gear set plate
10	N/A	Gear
11	N/A	Washer 5
12	N/A	Snap ring E-4
13	68004714	X-pulley (unit)
14	N/A	Setscrew 3x4
15	68004715	Timing belt S2M468
16	N/A	X-shaft
17	N/A	X-carriage guide
18	N/A	X-shaft set plate
19	N/A	Setscrew 4x5
20	N/A	X-belt set plate 1
21	N/A	X-belt set plate 2
22	N/A	Y-carriage base
23	N/A	Setscrew 3x8
24	N/A	Y-carriage
25	68004716	Stepping motor (unit)
26	N/A	Gear
27	N/A	Drive gear (unit)
28	68004717	Y-pulley (unit)
29	N/A	Carriage plate
30	N/A	Y-shaft
31	N/A	Y-shaft set plate
32	68004718	Y-belt set plate 1
33	68004721	Y-belt set plate 2
34	N/A	Y-shielding plate
35	N/A	Y-carriage base
36	N/A	Setscrew 4x5
37	68004722	Printed circuit board E2 (unit)
38	N/A	Cord cover
39	N/A	Cord binder
40	416019701	Setscrew 4x8

1



<u>Ref No</u>	<u>Part No</u>	<u>Part Name</u>
1	68004725	Accessory (unit)
2	68004348	Bobbin
3	416023401	Felt
4	416040901	Lint brush
5	412381501	Screwdriver
6	68004726	Scissors
7	416029201	Spool pin
8	68004727	Spool holder base
9	416042401	Spool holder (small)
10	68004399	Screwdriver
11		Needle set (unit)
12	68004728	Embroidery hoop (small) (unit)
13	68004729	Embroidery hoop (unit)
14	68004730	Template sheet (unit)
15	N/A	Caution card
16	68004731	CD-ROM
17	412157903	NET CABLE 120V
18	471004326	Instruction book S10 ENG
19	68004732	Dust cover