

SINGIER®

Professional Sew-Ware LIST OF PARTS
Ver.2.00

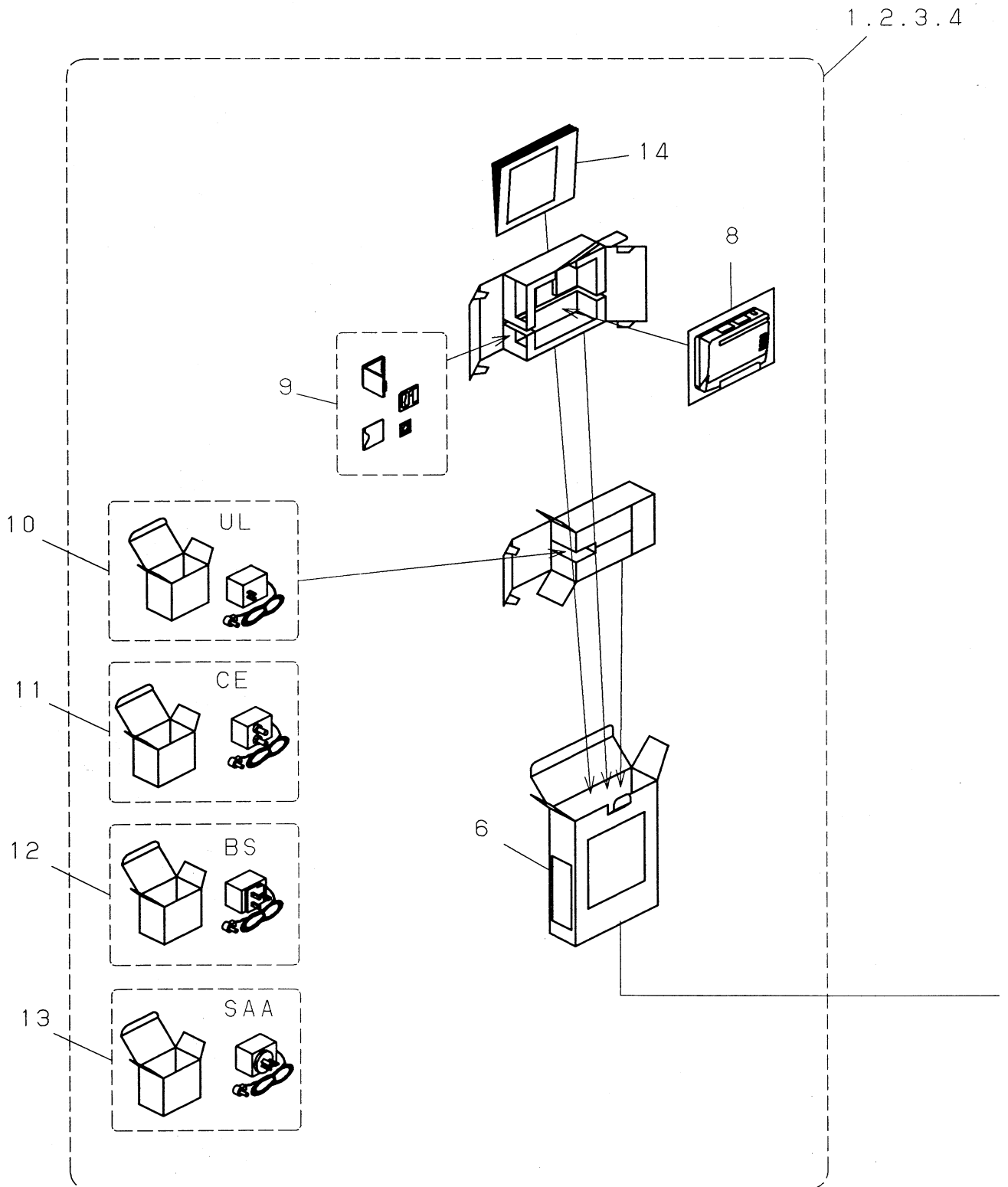
SINGER®

Copyright © 2001 SINGER

All Rights Reserved Throughout the World

SINGER is a registered trademark of SINGER Sewing Company limited

MAIN UNIT COMPONENTS • ACCESSORIES PARTS COMPONENTS



REF No	PART No	PART DESCRIPTION	Q' TY
1	388060	CONVERTERSET (UL • CSA)	1
2	388061	CONVERTERSET (CE)	1
3	388062	CONVERTERSET (BS)	1
4	388063	CONVERTERSET (SAA)	1
5	388064	BOX A	1
6	388065	BOX B	1
7	388066	BOX C	1
8	388067	MAIN UNIT	1
9	388068	SMART MEDIA CARD (ASM.)	1
10	388069	POWER ADAPTER (DC7.5V 0.5A) UL • CSA	1
11	388070	POWER ADAPTER (DC7.5V 0.5A) CE	1
12	388071	POWER ADAPTER (DC6V 1.5A) BS	1
13	388072	POWER ADAPTER (DC6V 1.5A) SAA	1
14	388073	USERS GUIDE	1
15	388074	USERS MANUAL (ENGLISH)	1
16	388075	USERS MANUAL (GERMAN)	1
17	388076	USERS MANUAL (FRENCH)	1
18	388077	USERS MANUAL (SPANISH)	1
19	388078	I/O CABLE A (PC-CONVERTER)	1
20	388079	I/O CABLE B (CONVERTER-SEWING MACHINE)	1
21	* 388080	CD-ROM (ASM.)	1

*Marked item is not for sales.

It can be provided as replacement basis only.

