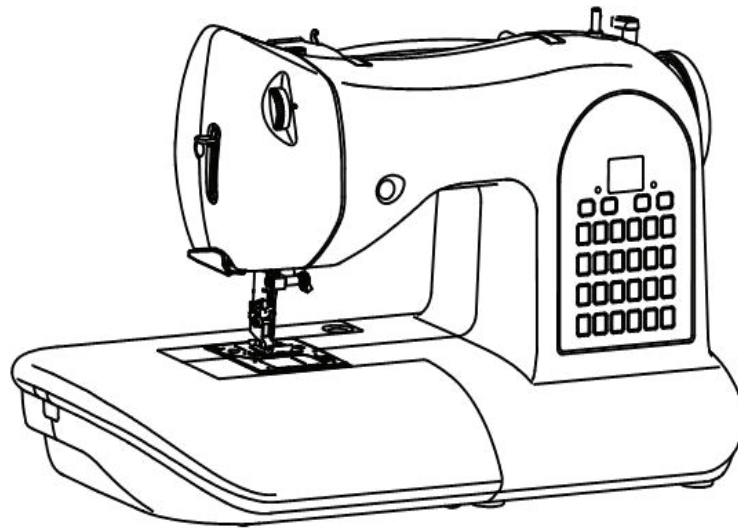


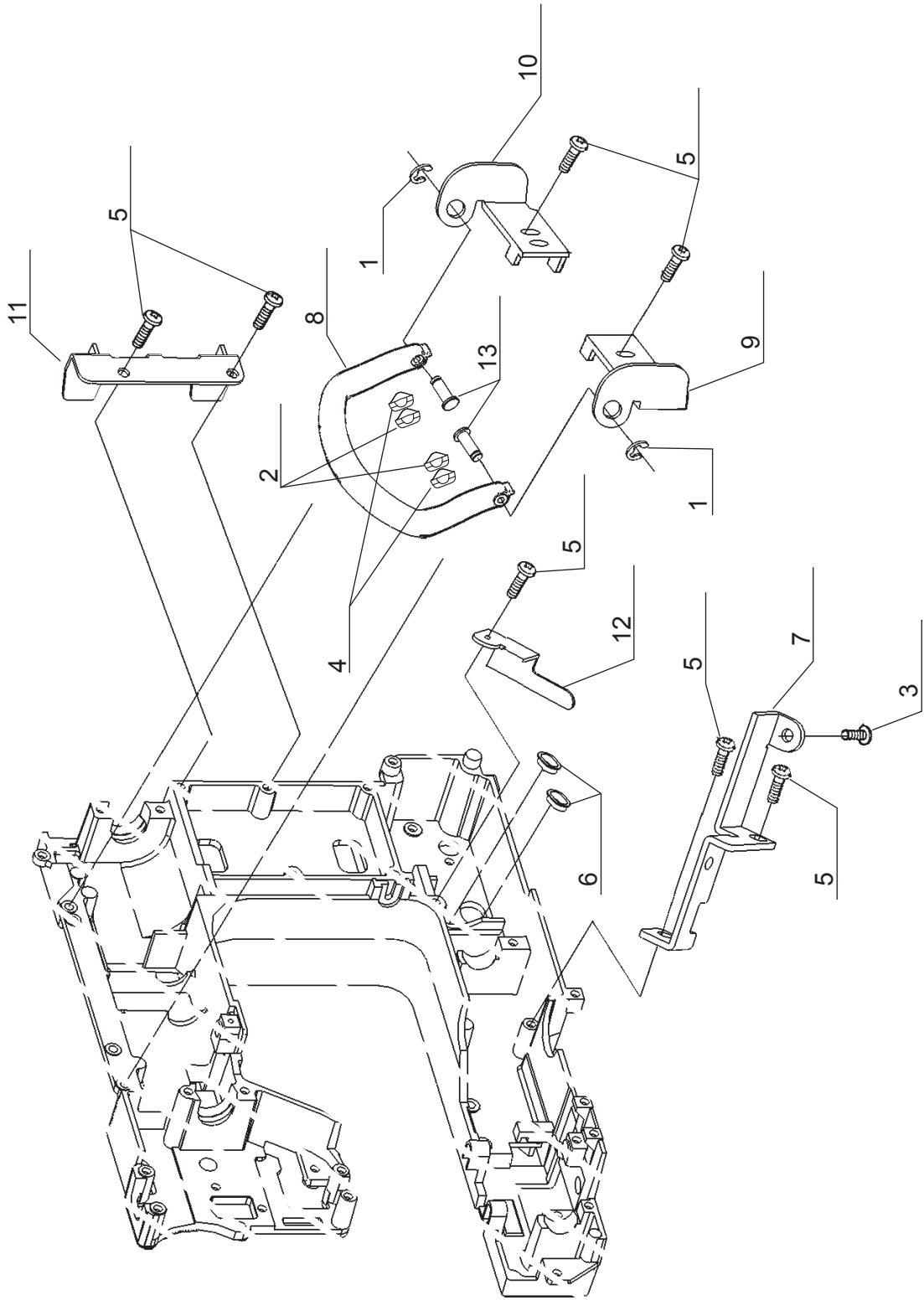


**SINGER®**

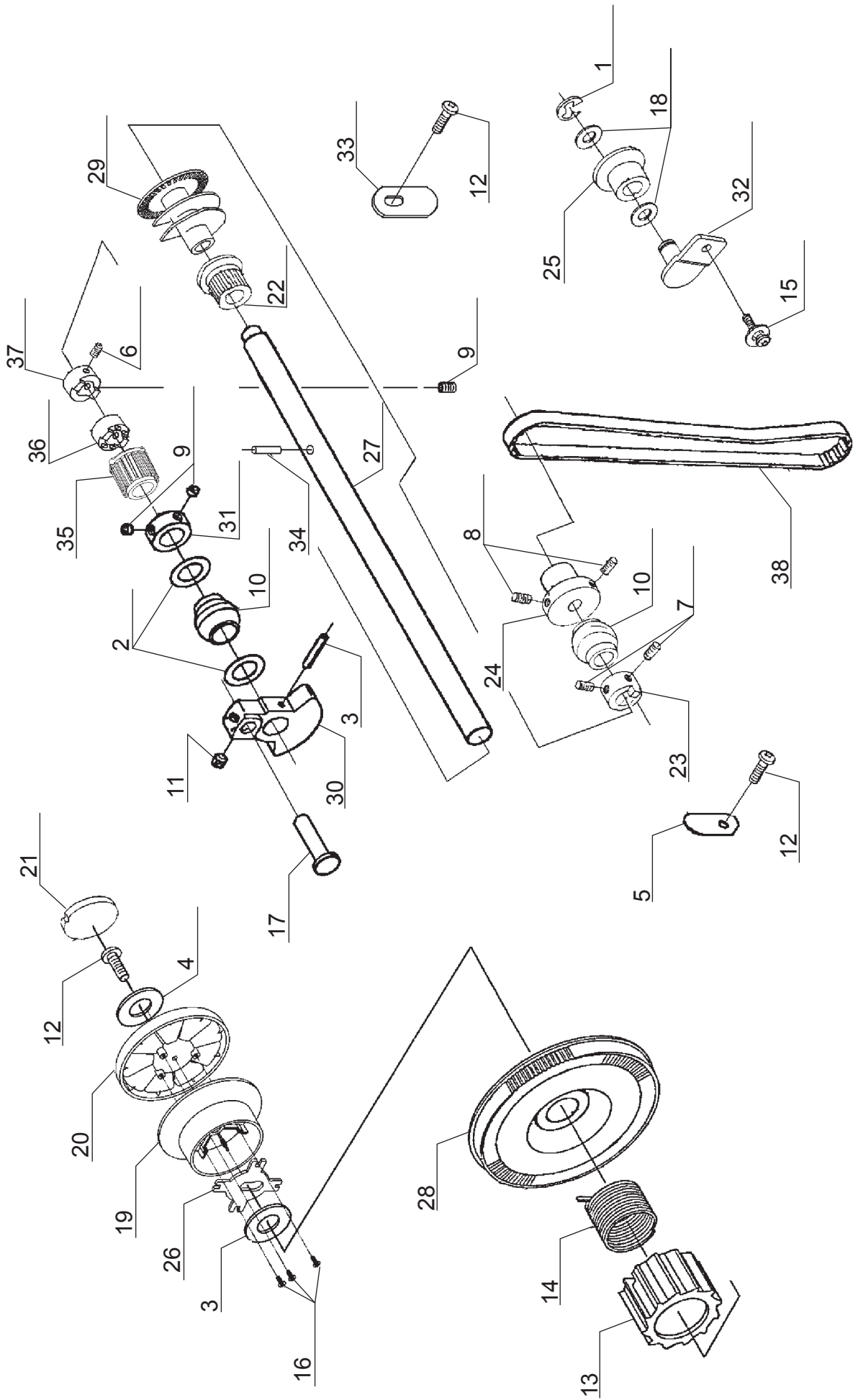
ONE



Liste de pièces  
Lista de Piezas  
Parts List



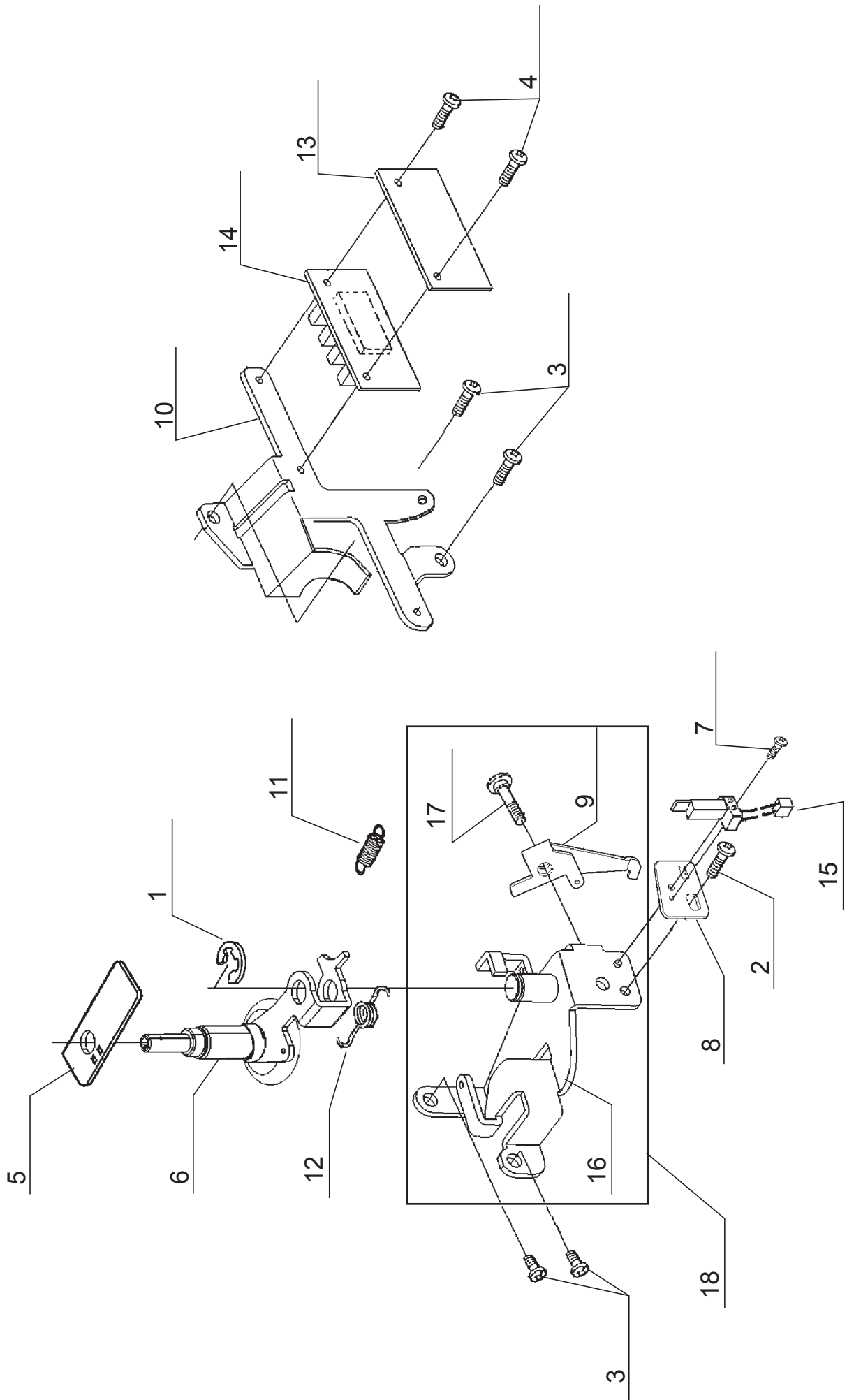
Pos	Part No	Description
1	270 001513	E4 CLIP-ON-WASHER
2	270 032949	WASHER
3	270 061224	M4 PHILIPS SCREW
4	270 061381	CRINKLE WASHER
5	270 077042	M4 PHILLIPS SCREW
6	270 080070	CORD GUIDE
7	416502001	BRACKET
8	416502101	HANDLE
9	416502201	HANDLE BRACKET ( L )
10	416502301	HANDLE BRACKET ( R )
11	416502401	BRACKET
12	270 087156	BRACKET
13	270 087216	PIN



---

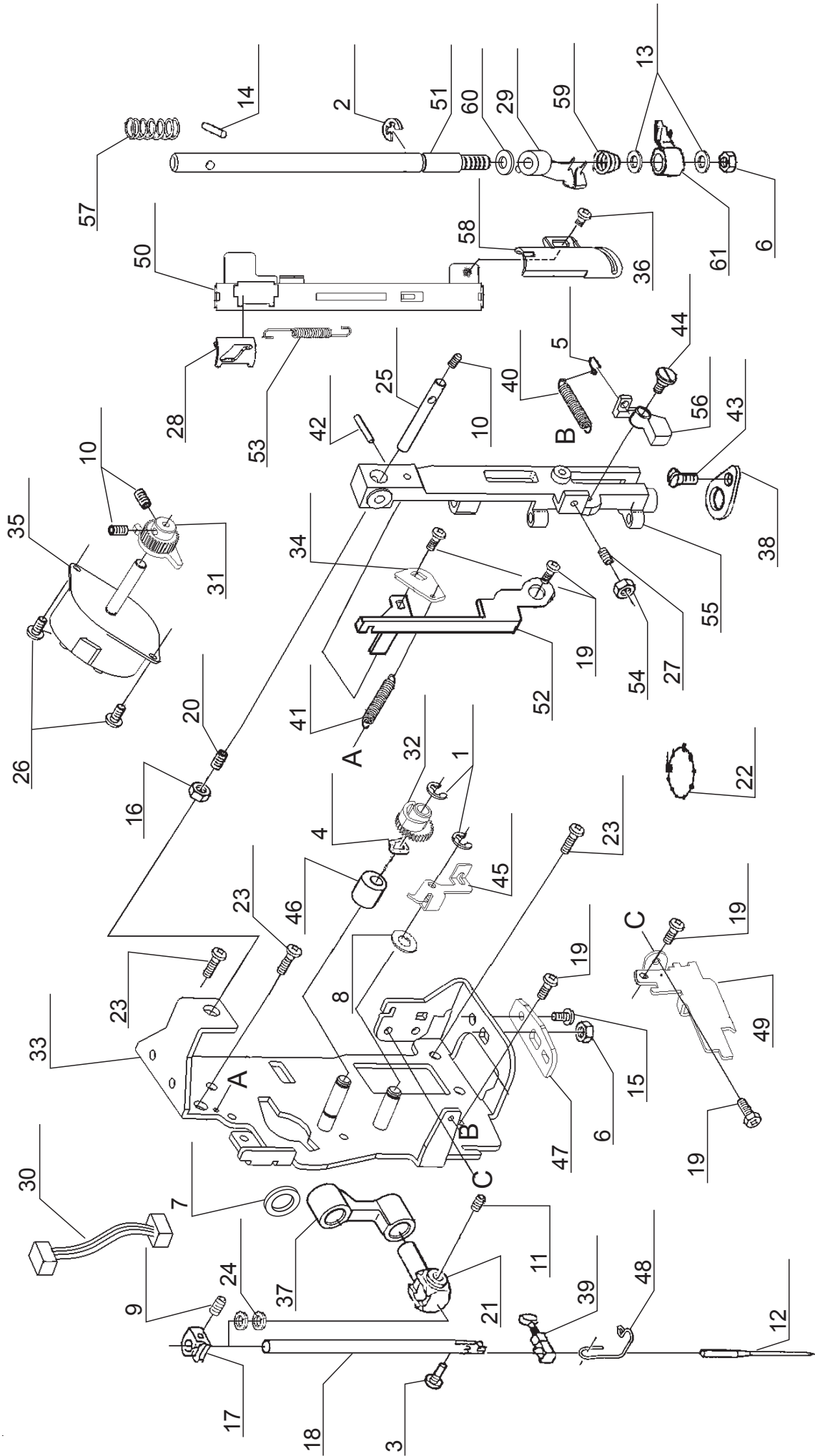
Pos	Part No	Description
1	270 010963	E6 CLIP-ON-WASHER
2	270 043389	THRUST WASHER
3	270 043930	SPRING PIN
4	270 053403	WASHER
5	270 066235	SECURING PLATE
6	270 066474	M5 SCREW
7	270 066725	M4 SCREW
8	270 066727	M4 SCREW
9	270 067447	M5 SCREW
10	270 068152	BALL BUSH
11	270 073371	M6 SCREW
12	270 073434	M4 PHILIPS SCREW
13	270 075047	CLUTCH
14	270 075194	TORSION SPRING
15	270 075274	M4 PHILIPS SCREW
16	270 077056	WASHER
17	416502501	HEADED PIN
18	416435101	TAPPING SCREW
19	416545401	PULLEY
20	416502701	PULLEY RING
21	270 087288	PULLEY CAP
22	416503001	UPPER TIMING BELT GEAR
23	270 085013	POSITIONING COLLAR
24	270 085046	COLLAR
25	270 085138	TENSION ROLLER
26	270 085217	RETAINER
27	270 087200	MAIN SHAFT
28	270 087220	BELT PULLEY
29	416502901	ENCODER
30	416502901	BALANCER
31	416502901	COLLAR
32	416548301	IDLER PULLEY BRACKET
33	416502901	SECURING PLATE
34	416433401	SPRING PIN
35	416502901	MAIN SHAFT SCREW GEAR
36	416502901	COUPLING
37	416502901	MAIN SHAFT SCREW GEAR FIXING RING
38	416433601	TIMING BELT

C



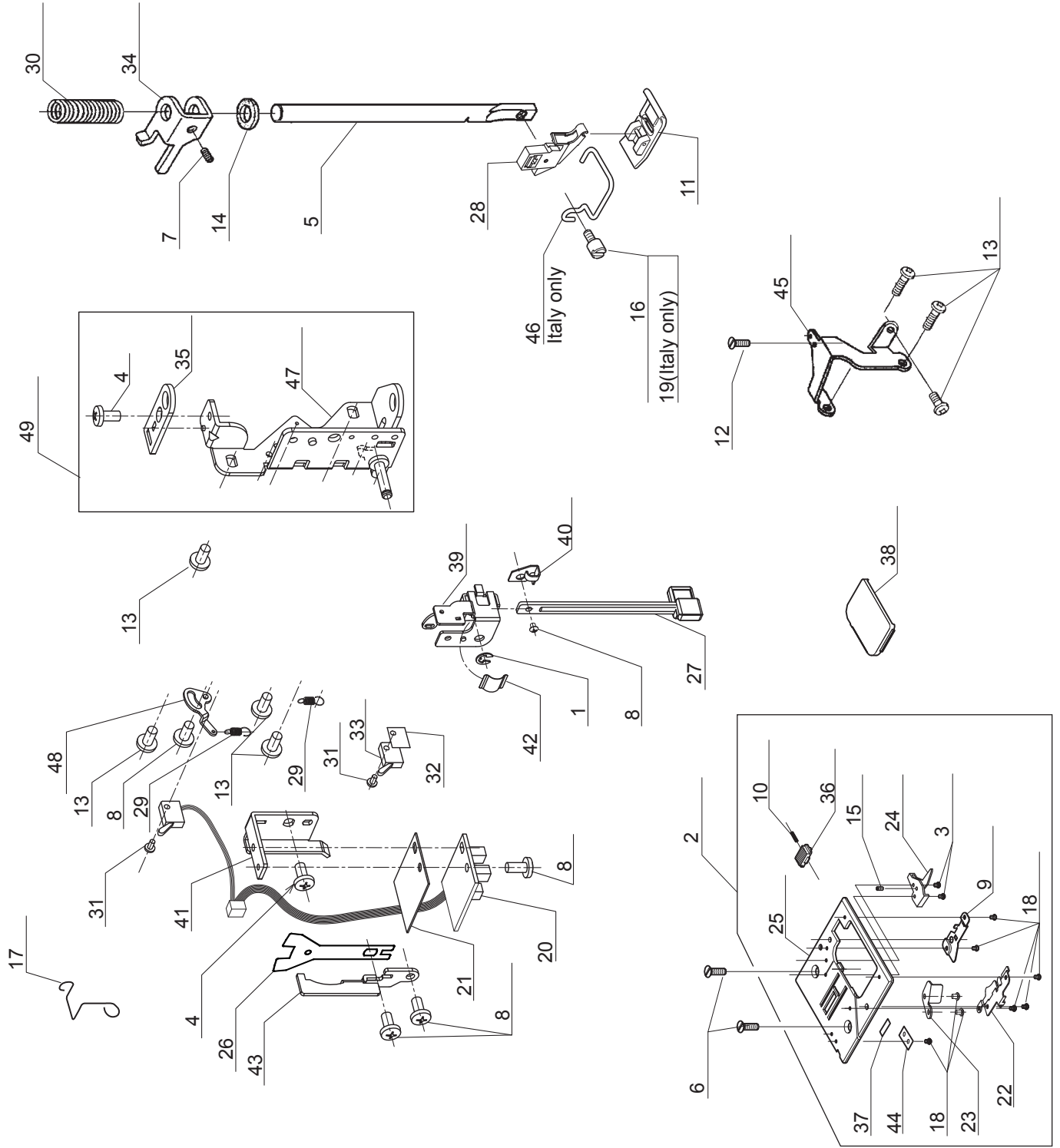
---

<u>Pos</u>	<u>Part No</u>	<u>Description</u>
1	270 010963	E6 CLIP-ON-WASHER
2	270 073900	M3 PHILIPS SCREW
3	270 077042	M4 PHILLIPS SCREW
4	270 077053	M3 PHILIPS SCREW
5	416559601	PLATE
6	270 088339	BOBBIN WINDER UNIT
7	270 085274	M2 SCREW
8	270 087128	MOUNTING BRACKET
9	270 087129	RETAINER
10	270 087139	MOUNTING BRACKET
11	270 087180	EXTENSION SPRING
12	270 087182	TORSION SPRING
13	270 087242	INSULATION SHEET
14	270 087527	PHOTO SENSOR CIRCUIT BOARD
15	270 087584	SWITCH HARNESS
16	270 087739	BOBBIN WINDER BRACKET
17	416503301	M3 SHOULDER SCREW
18	270 087750	BOBBIN WINDER BRACKET UNIT

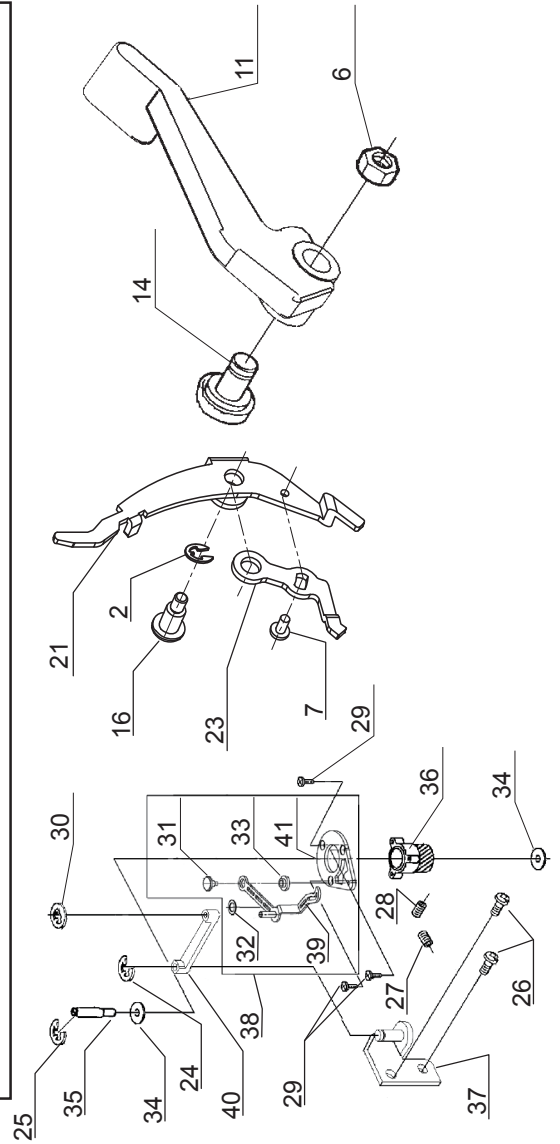
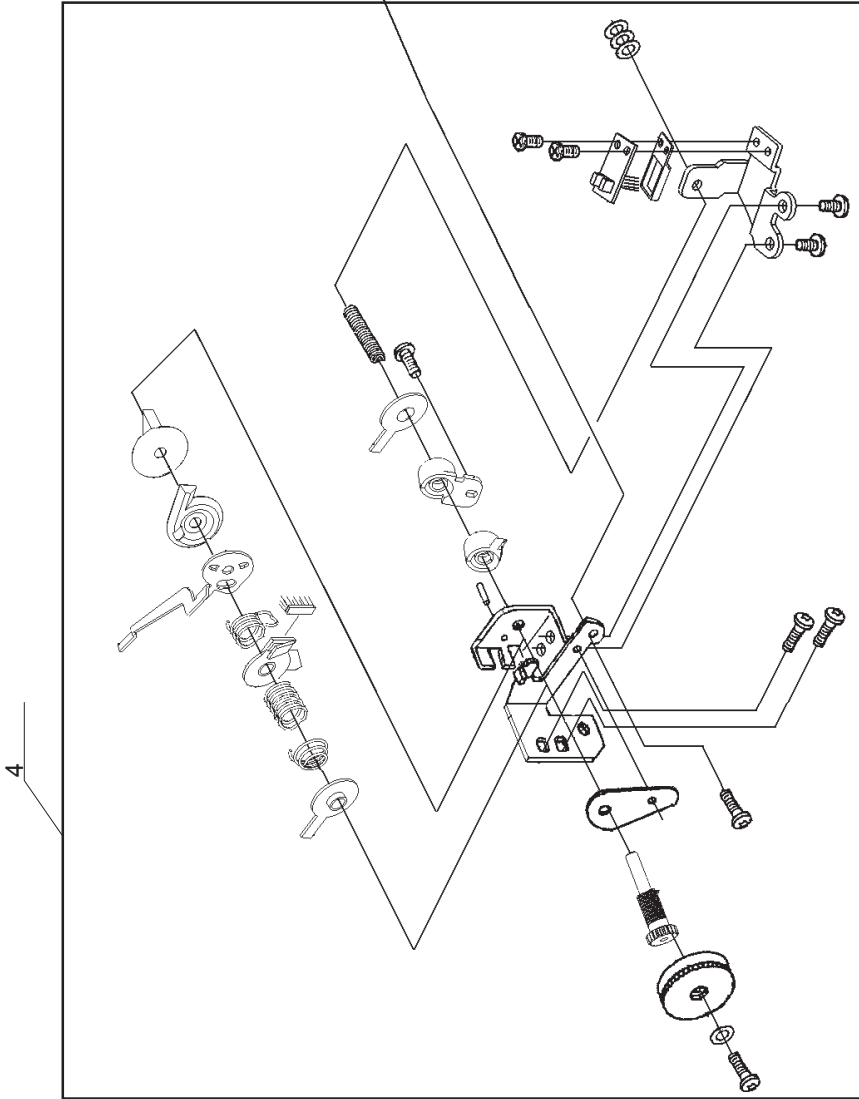
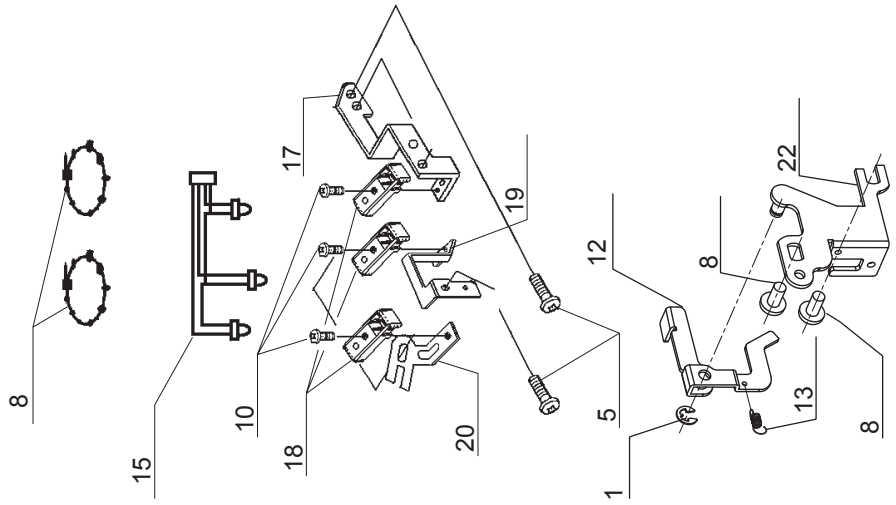
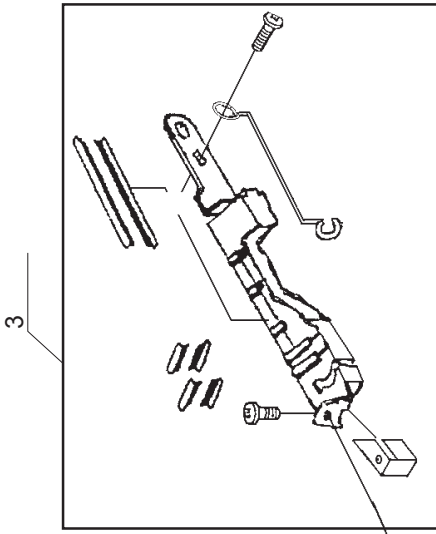




Pos	Part No	Description			
1	270 001513	E4 CLIP-ON-WASHER			
2	270 001520	E3 CLIP-ON-WASHER	55	416504301	NEEDLE BAR SUPPORT
3	270 026934	#8 SCREW	56	416462001	ECCENTRIC CAM
4	270 028735	CRINKLE WASHER	57	416438301	COMPRESSION SPRING
5	270 028917	HOOK FOR SPRING	58	416438401	THREAD GUIDE B
6	270 031733	M3 NUT	59	270 088432	SPRING
7	270 043390	THRUST WASHER	60	270 088433	WASHER
8	270 053321	THRUST WASHER	61	416438501	THREADER ASSEMBLY
9	270 064359	M4 SCREW			
10	270 064653	M3 SCREW			
11	270 066725	M4 SCREW			
12	270 067232	NEEDLE			
13	416513801	WASHER			
14	270 068343	PIN			
15	270 072367	M4 CP SCREW			
16	270 073299	M4 TORQUE NUT			
17	270 075024	STOPPER			
18	270 076183	NEEDLE BAR			
19	270 076317	M3 PHILIPS SCREW			
20	270 076324	M4 SCREW			
21	270 077037	NEEDLE BAR CLAMP			
22	270 077041	UNITY FASTENER			
23	270 077042	M4 PHILLIPS SCREW			
24	270 077043	FELT			
25	270 080095	STRAIGHT PIN			
26	270 080110	BOLT			
27	416514001	M3 SCREW			
28	416503401	THREAD GUIDE C			
29	270 080297	TWIN THREADING HOOK SET			
30	416503501	SWITCH HARNESS FOR ZIGZAG			
31	416503601	PINION GEAR			
32	416503701	ZIGZAG CAM WITH GEAR			
33	416503801	NEEDLE BAR SUPPORT BRACKET			
34	416504401	SECURITING PLATE			
35	416438001	STEPPING MOTOR			
36	270 086376	M3 SCREW			
37	416555901	NEEDLE BAR CRANK			
38	270 087111	NEEDLE BAR SWING BRACKET			
39	270 087154	NEEDLE CLAMP SET			
40	270 087183	SPRING			
41	270 087188	SPRING			
42	270 087207	STRAIGHT PIN			
43	270 087211	M3 SCREW			
44	270 087214	M3 SHOULDER SCREW			
45	270 087245	BELL CLANK FOR ZIGZAG			
46	270 087265	SPACER			
47	270 087726	NEEDLE BAR ADJUSTING PLATE			
48	270 088089	THREAD GUIDE			
49	270 088317	THREAD GUIDE PLATE			
50	416503901	THREAD GUIDE A			
51	416504001	THREADER SHAFT			
52	416504101	THREADER POSITIONING PLATE			
53	416504201	EXTENSION SPRING			
54	416514101	M3 AR NUT			

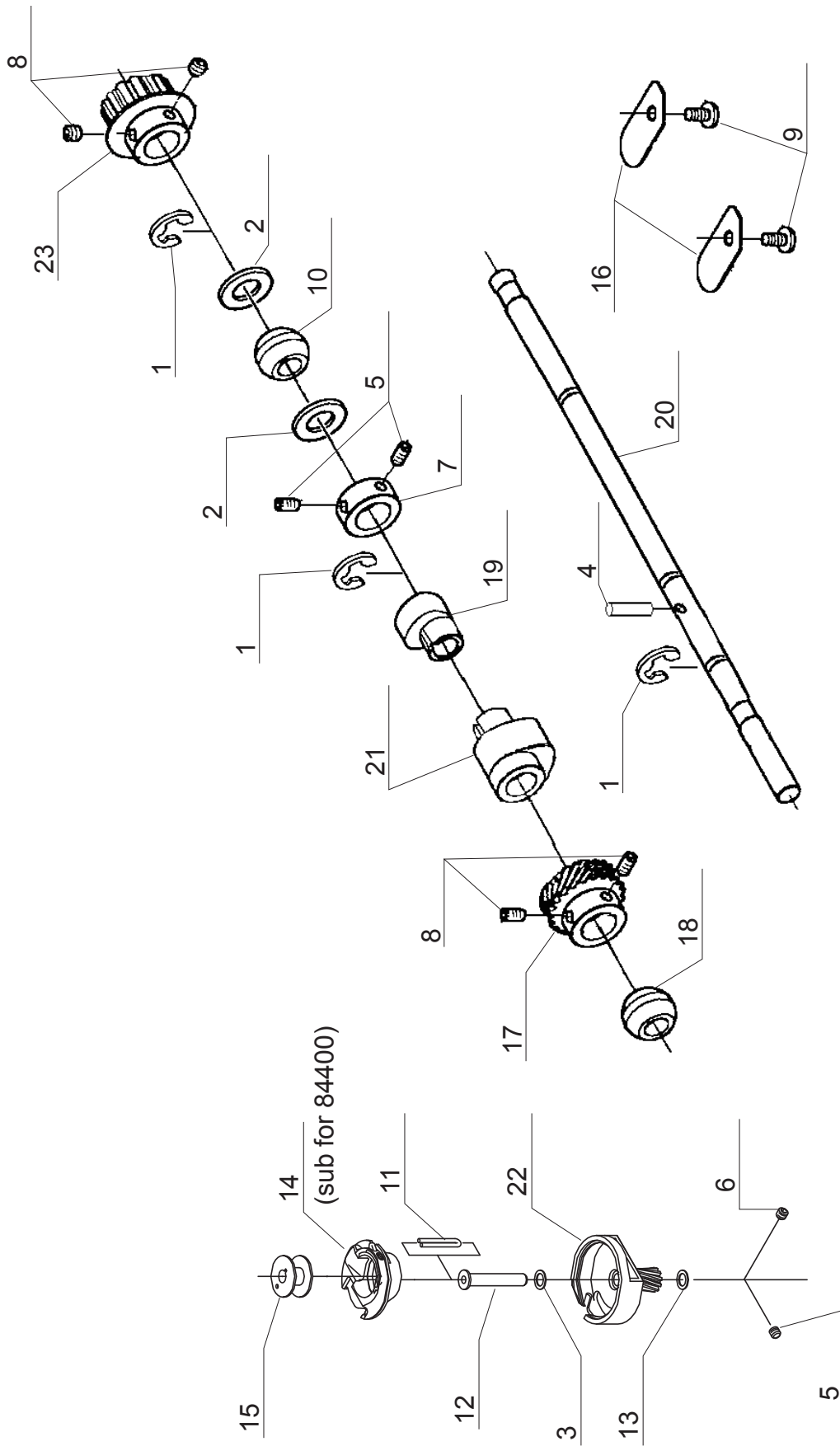


Pos	Part No	Description
1	270 001520	E3 CLIP-ON-WASHER
2	416504601	NEEDLE PLATE SET
3	270 056858	M2 PHILIPS SCREW
4	270 061221	M4 PHILIPS SCREW
5	270 063278	PRESSER BAR
6	270 064051	M4 SCREW
7	270 066727	M4 SCREW
8	270 073900	M3 PHILIPS SCREW
9	270 076114	COVER GUIDE (R)
10	270 076159	COMPRESSION LEVER
11	270 076251	ZIGZAG PRESSER FOOT
12	M3 PHILIPS SCREW	
13	270 077042	M4 PHILLIPS SCREW
14	270 077043	FELT
15	270 079491	SCREW
16	270 080065	#7 SCREW FOR SHANK
17	270 080079	CORD GUIDE
18	270 080096	M2 PHILIPS SCREW
19	416514401	SCREW FOR SHANK
20	416504701	BUTTON HOLE STITCH SENSOR HARNESS
21	416504801	INSULATION SHEET
22	416504901	COVER GUIDE (L)
23	416505001	THREAD CONTROL PLATE
24	416505101	THREAD CONTROL PLATE
25	416504601	NEEDLE PLATE
26	416546601	BH CANTILEVER
27	270 087677	BH PLATE (A)
28	270 085016	PRESSER FOOT HOLDER
29	416505601	SPRING
30	270 085065	COMPRESSION SPRING
31	270 085262	M2 SCREW
32	270 085332	SPACER
33	416439901	PRESSER FOOT POSITIONNING HARNESS
34	270 087114	PRESSURE BAR GUIDE
35	270 087115	PRESSURE SUPPORT PLATE
36	270 087234	RELEASE LEVER
37	270 087344	BLADE
38	270 087456	NEEDLE COVER PLATE
39	270 087679	BH PLATE ( B )
40	270 087680	BH PLATE ( C )
41	270 087693	BH PALTE
42	270 087694	LEAF SPRING
43	270 087695	BH CANTILEVER SUPPORT
44	416505401	BLADE PALTE
45	270 088325	BRACKET
46	416514501	FINGER GARD
47	416440201	PRESSER BAR GUIDE
48	416440301	SWITCH DOG ADJUSTMENT PLATE
49	416505501	PRESSURE BAR GUIDE



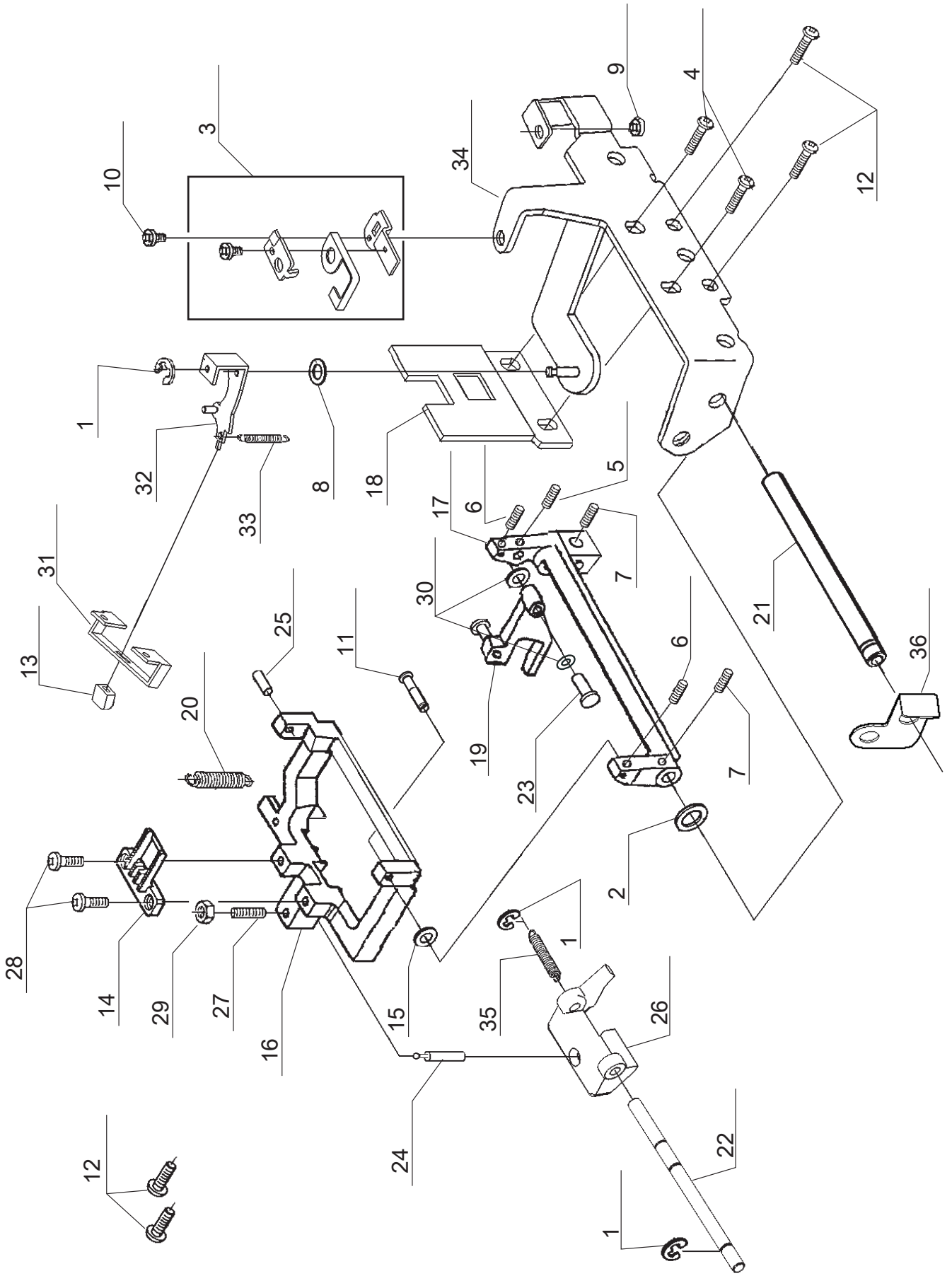
---

Pos	Part No	Description
1	270 001520	E3 CLIP-ON-WASHER
2	270 008400	E5 CLIP-ON-WASHER
3	416505701	THREAD GUIDE PLATE ASSY
4	416548101	TENSION ASSY
5	270 061222	M4 PHILIPS SCREW
6	270 062215	M4 NUT
7	270 066318	M3 PHILIPS SCREW
8	270 077041	UNITY FASTENER
9	270 077042	M4 PHILLIPS SCREW
10	270 077057	M3 PHILIPS SCREW
11	270 087806	PRESSER FOOT LIFTER
12	416506001	THREAD REGULATOR RELEASE LEVER
13	270 085064	EXTENSION SPRING
14	270 087212	M4 SCREW
15	270 087623	LED LIGHT
16	416440401	M4 STUD SCREW
17	416506101	THREAD GUIDE PLATE
18	270 088314	LED LIGHT COVER
19	270 088315	LED LIGHT COVER BRACKET
20	270 088316	LED LIGHT COVER BRACKET
21	416506201	TENSION RELEASE LEVER
22	416506301	THREAD REGULATOR RELEASE LEVER BASE
23	416506401	PRESSER SWITCH DOG
24	270 001513	E4 CLIP-ON-WASHER
25	270 008400	E5 CLIP-ON-WASHER
26	270 061224	M4 PHILIPS SCREW
27	270 062307	M4 SCREW
28	270 066052	M4 SCREW
29	416435101	TAPPING SCREW
30	270 077507	CLIP-ON-WASHER
31	416549001	TAKE UP LEVER PIN
32	416549501	WASHER
33	416551601	BUSH
34	416558001	WASHER
35	416435601	STUD SCREW
36	416435701	GEAR
37	416558401	TAKE-UP LEVER SUPPORT
38	416435201	TAKE-UP LEVER UNIT
39	416435201	TAKE-UP LEVER
40	416435901	TAKE-UP LEVER ARM
41	416435201	TAKE-UP LEVER CRANK



---

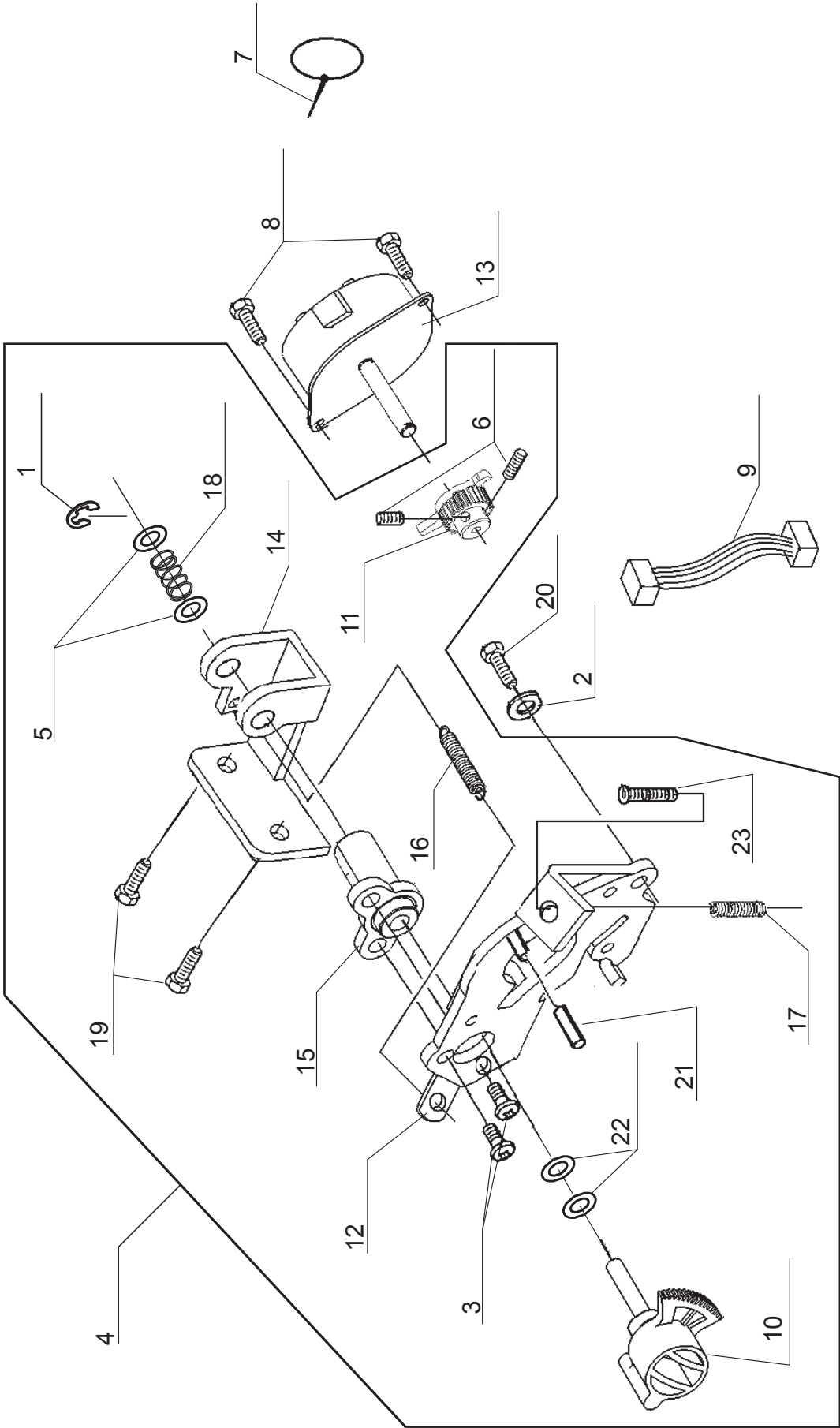
<u>Pos</u>	<u>Part No</u>	<u>Description</u>
1	270 010963	E6 CLIP-ON-WASHER
2	270 043390	THRUST WASHER
3	270 043392	THRUST WASHER
4	270 064179	SPRING PIN
5	270 066725	M4 SCREW
6	270 066727	M4 SCREW
7	270 067444	COLLAR
8	270 067447	M5 SCREW
9	270 073434	M4 PHILIPS SCREW
10	270 076141	BALL METAL
11	270 076203	OILING CORD
12	270 080078	SHUTTLE RACE SHAFT
13	416514601	WASHER
14	416506501	BOBBIN CASE (sub for 84400)
15	270 085128	BOBBIN
16	270 085247	SECURING PLATE
17	270 087050	BEVEL GEAR
18	270 087170	BALL METAL
19	270 087228	FEED CAM
20	270 088114	LOWER STRAIGHT SHAFT
21	270 088115	LIFTING CAM
22	416444301	SHUTTLE RACE UNIT
23	416434701	LOWER SHAFT BELT PULLEY





---

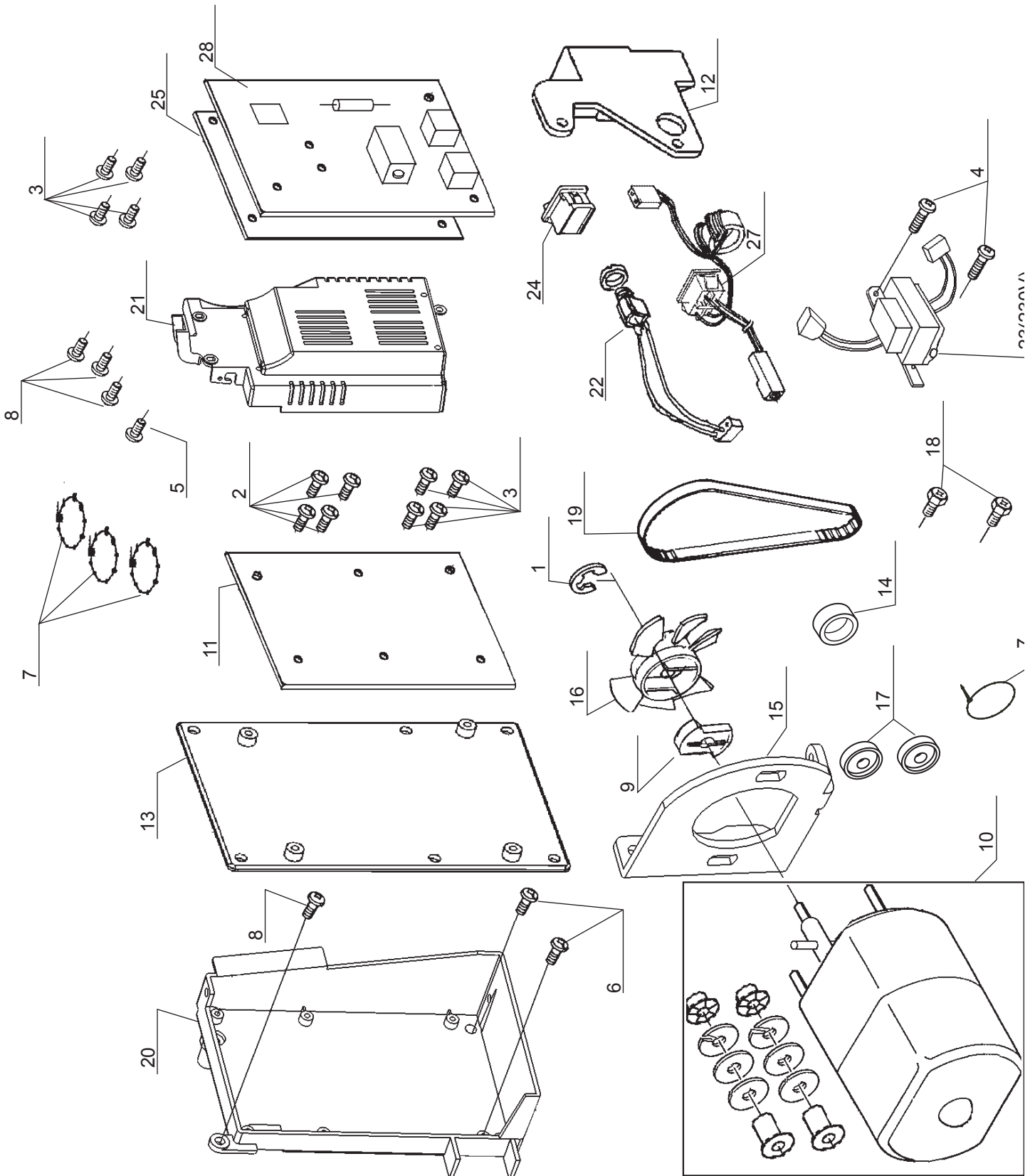
<u>Pos</u>	<u>Part No</u>	<u>Description</u>
1	270 001520	E3 CLIP-ON-WASHER
2	270 032949	WASHER
3	270 051058	RETAINER SET
4	270 061221	M4 PHILIPS SCREW
5	270 061333	M4 SCREW
6	270 064653	M3 SCREW
7	270 066725	M4 SCREW
8	270 072858	WASHER
9	270 073299	M4 TORQUE NUT
10	270 073900	M3 PHILIPS SCREW
11	270 076132	SHAFT
12	270 077042	M4 PHILLIPS SCREW
13	416506601	DROP KNOB
14	416506701	FEED DOG
15	270 085252	WASHER
16	270 087103	FEED DOG BASE
17	270 087104	FEED DOG BASE SUPPORT
18	270 087122	SUPPORT PLATE
19	270 087174	FORKED CRANK
20	270 087186	TORSION SPRING
21	270 087202	SHAFT
22	270 087203	SHAFT
23	270 087206	PIN
24	270 087208	BALL HEADED PIN
25	270 087210	PIN
26	270 087226	VERTICAL FEED BLOCK
27	270 087232	M6 STUD SCREW
28	270 087262	M3 CP SCREW
29	270 087268	M6 NUT
30	270 087269	WASHER
31	270 087422	DROP GUIDE
32	270 087423	DROP LEVER
33	270 087424	TORSION SPRING
34	270 087426	SECURING BRACKET
35	270 087433	TORSION SPRING
36	416506801	SECURING PLATE



---

<u>Pos</u>	<u>Part No</u>	<u>Description</u>
1	270 001513	E4 CLIP-ON-WASHER
2	270 031246	WASHER
3	416442801	M3 PHILIPS SCREW
4	416506901	FEED REGULATOR UNIT
5	270 059221	WASHER
6	270 064653	M3 SCREW
7	270 077041	UNITY FASTENER
8	270 080110	BOLT
9	416507001	SWITCH HARNESS
10	416665901	FEED REGULATOR
11	416666001	PINION GEAR
12	416666101	STEPPING MOTOR BRACKET
13	416438001	STEPPING MOTOR
14	270 087146	BRACKET
15	270 087178	FEED REGULATOR SHAFT METAL BUSH
16	270 087188	SPRING
17	270 087189	COMPRESSION SPRING
18	270 087191	COMPRESSION SPRING
19	270 087261	CP BOLT
20	270 087262	M3 CP SCREW
21	270 087273	PIN
22	270 087274	WASHER
23	270 087668	M4 BOLT

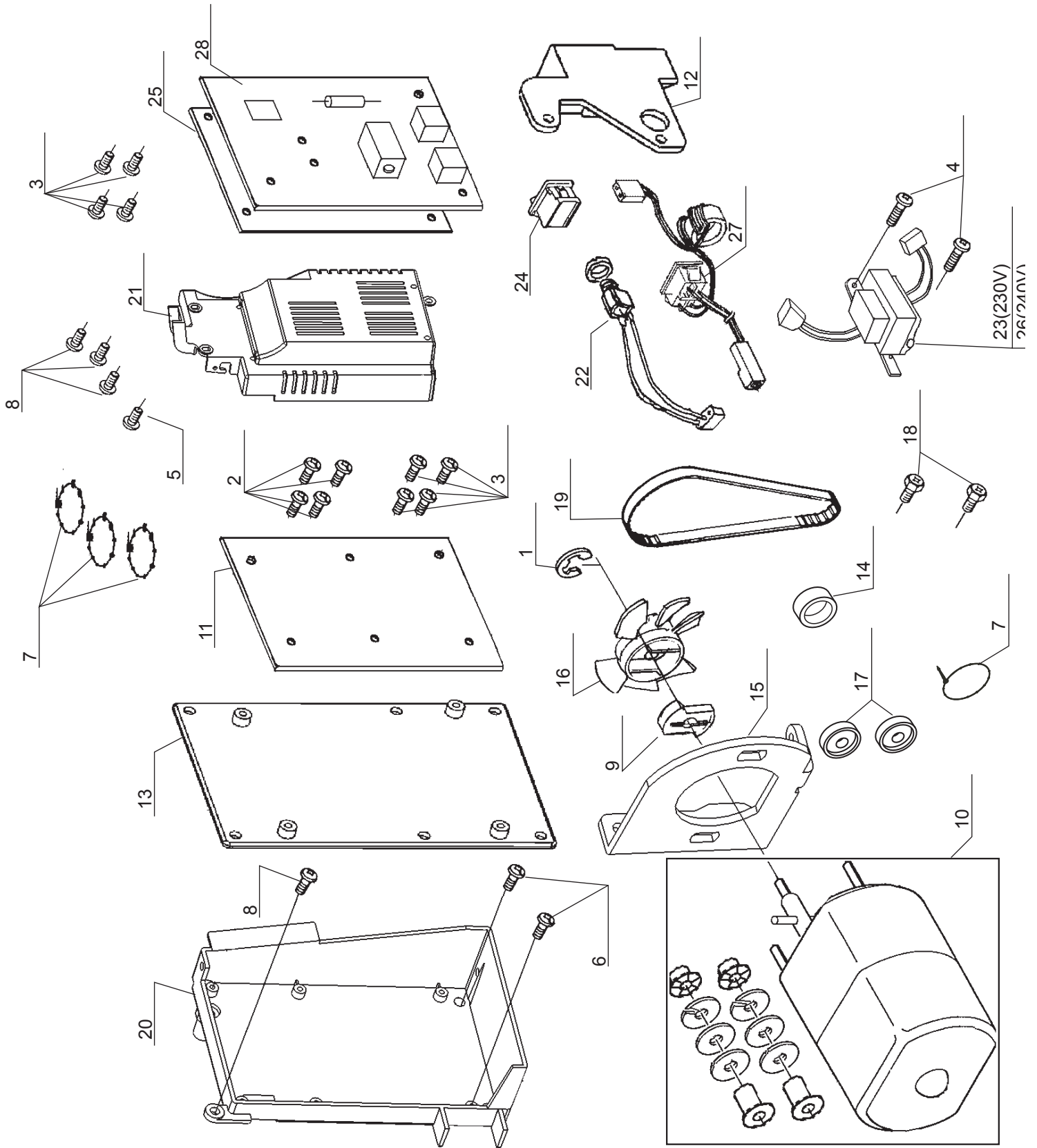
# J 120V



---

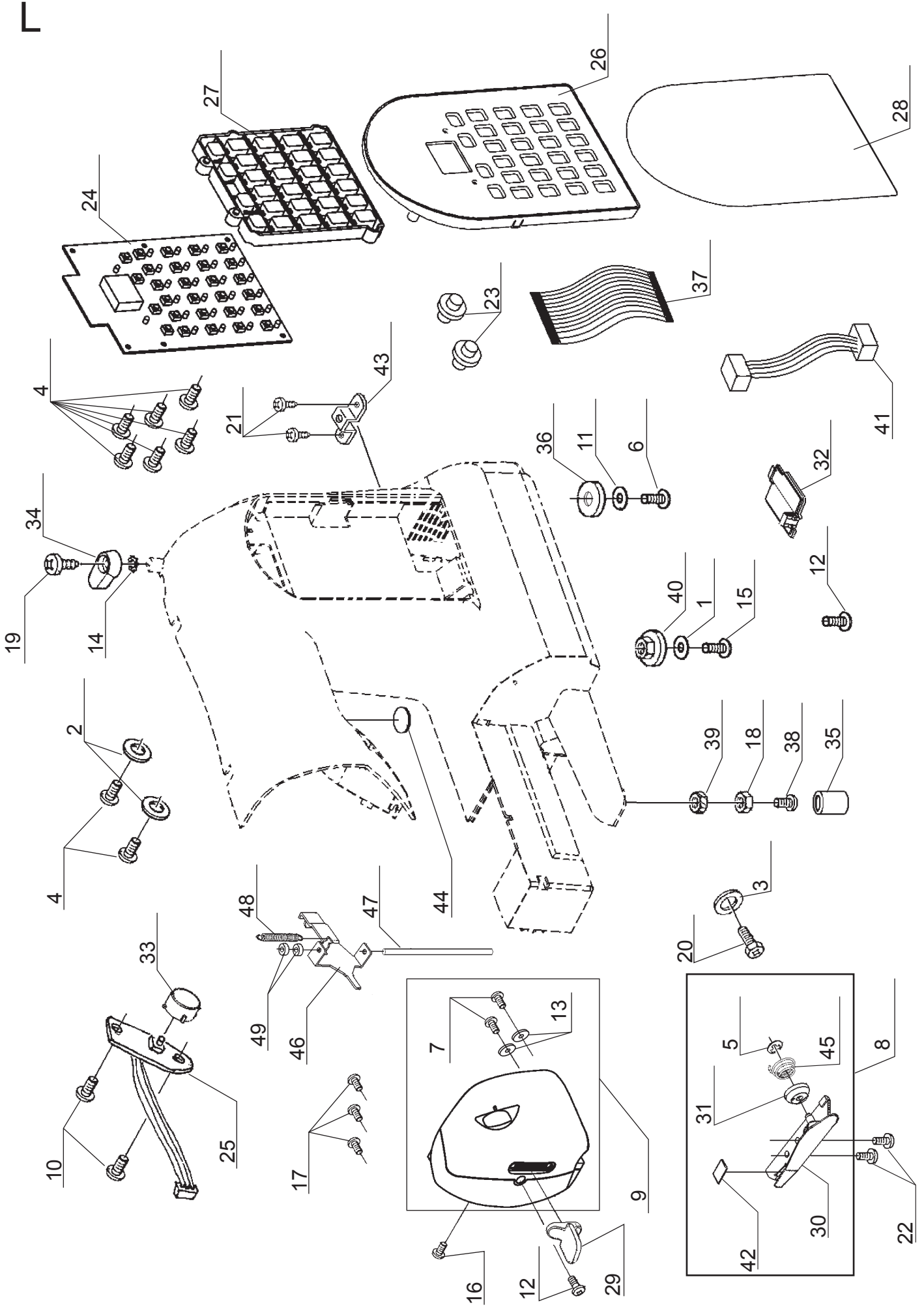
<u>Pos</u>	<u>Part No</u>	<u>Description</u>
1	270 001520	E3 CLIP-ON-WASHER
2	270 039163	TAPPING SCREW
3	270 039213	M3 SCREW
4	270 061222	M4 PHILIPS SCREW
5	270 061224	M4 PHILIPS SCREW
6	270 061225	M4 PHILIPS SCREW
7	270 077041	UNITY FASTENER
8	270 077042	M4 PHILLIPS SCREW
9	270 077614	GEAR CLUTCH
10	416507401	MAIN MOTOR
11	416507501	CIRCUIT BOARD
12	416507601	SWITCH BRACKET
13	416507701	CIRCUIT BOARD SPACER
14	270 085318	FERRITE RING
15	270 087126	MAIN MOTOR BRACKET
16	270 087237	MOTOR FAN
17	270 087257	BUSH
18	270 087261	CP BOLT
19	270 087263	DRIVING BELT
20	270 087291	CPU CIRCUIT BOARD BOX
21	270 087316	AC CIRCUIT BOARD BOX
22	270 087513	PIN-JACK HARNESS
23	270 087519	TRANSFORMER (230V)
24	270 087541	SWITCH
25	270 087542	INSULATION SHEET
26	416507801	TRANSFORMER (240V)
27	270 087575	INLET HARNESS
28	270 087629	CIRCUIT BOARD

# K 230V



---

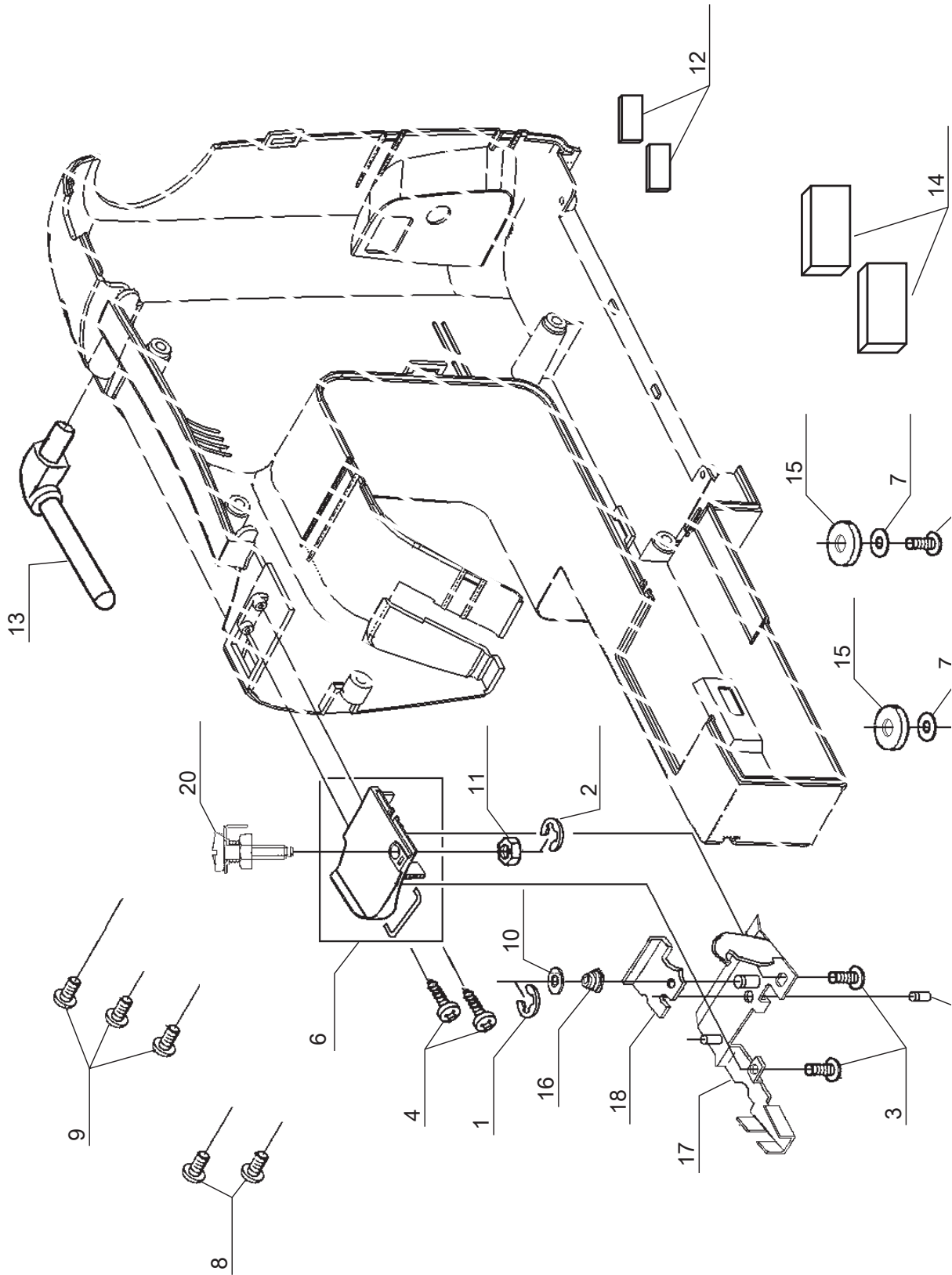
<u>Pos</u>	<u>Part No</u>	<u>Description</u>
1	270 001520	E3 CLIP-ON-WASHER
2	270 039163	TAPPING SCREW
3	270 039213	M3 SCREW
4	270 061222	M4 PHILIPS SCREW
5	270 061224	M4 PHILIPS SCREW
6	270 061225	M4 PHILIPS SCREW
7	270 077041	UNITY FASTENER
8	270 077042	M4 PHILLIPS SCREW
9	270 077614	GEAR CLUTCH
10	416507401	MAIN MOTOR
11	416507501	CIRCUIT BOARD
12	416507601	SWITCH BRACKET
13	416507701	CIRCUIT BOARD SPACER
14	270 085318	FERRITE RING
15	270 087126	MAIN MOTOR BRACKET
16	270 087237	MOTOR FAN
17	270 087257	BUSH
18	270 087261	CP BOLT
19	270 087263	DRIVING BELT
20	270 087291	CPU CIRCUIT BOARD BOX
21	270 087316	AC CIRCUIT BOARD BOX
22	270 087513	PIN-JACK HARNESS
23	270 087519	TRANSFORMER (230V)
24	270 087541	SWITCH
25	270 087542	INSULATION SHEET
26	416507801	TRANSFORMER (240V)
27	270 087575	INLET HARNESS
28	270 087629	CIRCUIT BOARD





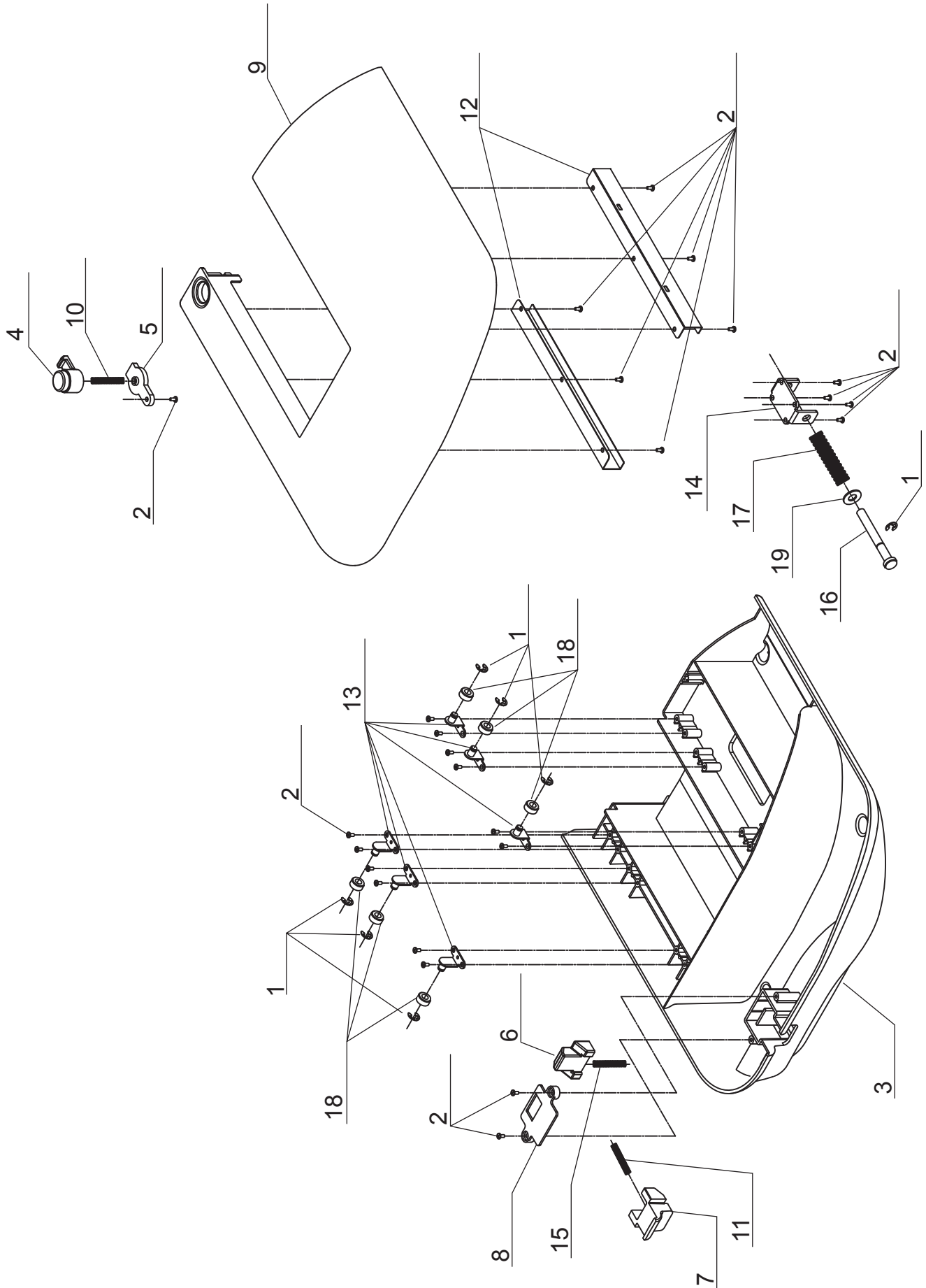
Pos	Part No	Description
1	270 002744	WASHER
2	270 025670	WASHER
3	270 031246	WASHER
4	270 039213	M3 SCREW
5	270 039615	CLIP-ON-WASHER
6	270 044261	M4 SCREW
7	270 047181	M3 SCREW
8	416559301	THREAD HOLDER SET
9	416552001	FACE COVER SET
10	270 058024	TAPPING SCREW
11	270 059221	WASHER
12	270 061222	M4 PHILIPS SCREW
13	270 063448	WASHER
14	270 064360	TOOTHED WASHER
15	270 064617	TAPPING SCREW
16	270 065736	M4 PHILIPS SCREW
17	270 065826	TAPPING SCREW
18	270 073299	M4 TORQUE NUT
19	270 074795	TAPPING SCREW
20	270 077044	M3 PHILIPS SCREW
21	270 077403	SCREW
22	416435101	TAPPING SCREW
23	270 083044	LED PANEL
24	416508101	SWITCH CIRCUIT BOARD
25	416508201	SWITCH HARNESS
26	416552101	PANEL
27	416508401	PATTERN SWITCH
28	416553501	PATTERN SEET
29	270 088415	THREADER LEVER
30	416452401	THREAD HOLDER
31	416452301	HOLDER TENSION DISC
32	416564301	COVER
33	416553601	BUTTON
34	416509101	BOBBIN WINDER LATCH
35	416509201	RUBBER CUSHION
36	416509301	RUBBER FOOT
37	416449201	CONNECTOR CABLE
38	270 086038	STUD SCREW
39	270 087218	NUT
40	270 087271	RUBBER FOOT
41	270 087524	5P CORD HARNESS
42	270 087766	BLADE
43	416509401	FRONT COVER BRACKET
44	416509501	PLATE
45	416452101	SPRING
46	416509601	BRACKET
47	416452001	THREADER SHAFT
48	416452201	EXTENSION SPRING
49	270 088433	WASHER

L



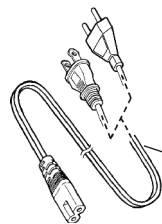
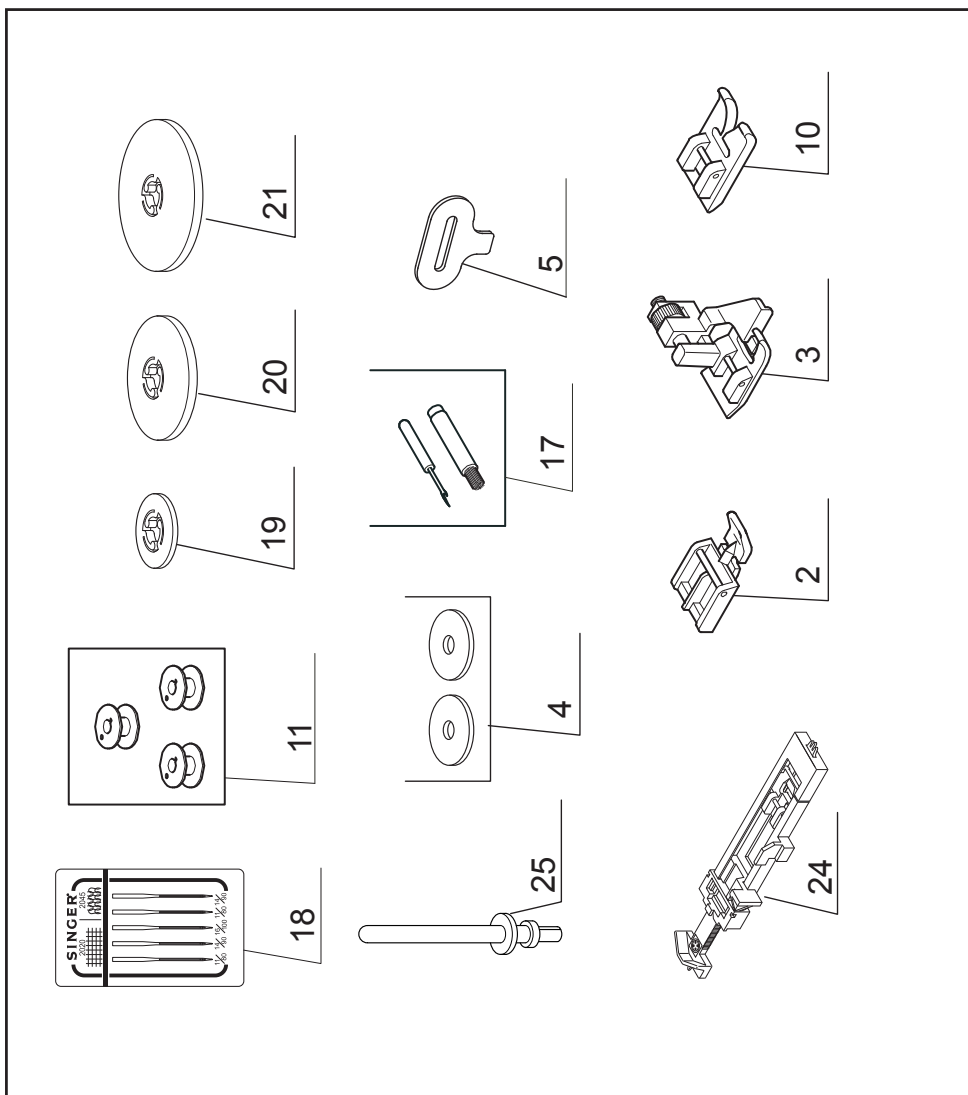
---

<u>Pos</u>	<u>Part No</u>	<u>Description</u>
1	270 001520	E3 CLIP-ON-WASHER
2	270 027925	E2.5 CLIP-ON-WASHER
3	270 039163	TAPPING SCREW
4	270 039213	M3 SCREW
5	270 044261	M4 SCREW
6	416553701	TENSION COVER
7	270 059221	WASHER
8	270 061224	M4 PHILIPS SCREW
9	270 064484	TAPPING SCREW
10	270 072858	WASHER
11	270 073299	M4 TORQUE NUT
12	270 076274	SPACER
13	270 087296	SPOOL PIN UNIT
14	416553901	SPACER
15	416509301	RUBBER FOOT
16	270 086999	SPRING
17	416510001	THREAD PLATE
18	416510101	THREAD REGULATE PLATE
19	416451101	PIN
20	416510201	M4 SPECIAL SCREW UNIT

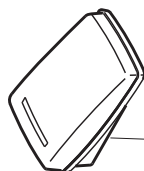


---

<u>Pos</u>	<u>Part No</u>	<u>Description</u>
1	270 001513	E4 CLIP-ON-WASHER
2	270 039213	M3 SCREW
3	See # 20	ACCESSORY BOX
4	See # 20	RELEASE BUTTON
5	See # 20	BUTTON COVER
6	See # 20	BRACKET
7	See # 20	BUTTON
8	See # 20	BUTTON COVER
9	See # 20	ACCESSORY BOX COVER
10	See # 20	SPRING
11	See # 20	SPRING
12	See # 20	BOX SUPPORT RAIL
13	See # 20	ROLLER PLATE
14	See # 20	BRACKET
15	See # 20	SPRING
16	See # 20	PIN
17	See # 20	SPRING
18	270 086349	GUIDE ROLLER
19	270 086379	WASHER
20	416510301	ACCESSORY BOX COMPL.

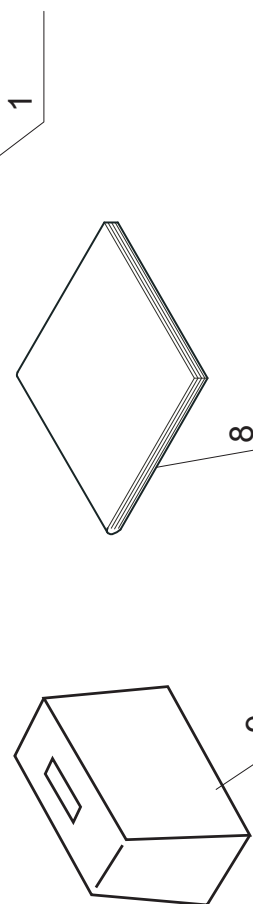


12.13.14.15.16.22.23



7(USA only)

6(other)



---

<u>Pos</u>	<u>Part No</u>	<u>Description</u>
1	270 052012	ACCESSORY SET
2	270 076252	ZIPPER FOOT
3	270 076255	BLIND STITCH FOOT
4	270 077040	SPOOL PIN DISC
5	270 079455	LARGE SCREW DRIVER
6	416510501	FOOT CONTROL (PIN-JACK TYPE)
7	270 081495	FOOT CONTROL (PIN-JACK TYPE)
8	XXXXXXXX	INSTRUCTION BOOK (Eng,Fre,Spa)
9	416510601	DUST COVER
10	270 085015	ZIGZAG PRESSER FOOT
11	270 085128	BOBBIN
12	270 085338	POWER CORD (UK,MALAYSIA ONLY)
13	412157801	POWER CORD (230V)
14	412158101	POWER CORD (AUSTRALIA ONLY)
15	270 085349	POWER CORD (KOREA ONLY)
16	270 085354	POWER CORD (CHINA ONLY)
17	270 006099008	BUTTONHOLE OPENER / BRUSH
18	260 353364000	NEEDLE SET
19	270 087287	SPOOL PIN CAP (MINI)
20	270 087289	SPOOL PIN CAP (SMALL)
21	270 087290	SPOOL PIN CAP (LARGE)
22	270 087534	POWER CORD (120V)
23	XXXXXXXX	POWER CORD (BRAZIL ONLY)
24	416465601	BUTTONHOLE FOOT
25	270 088366	SPOOL PIN