

**SINGER**  
**LE,SX,SX100**

# SINGER\*

\* Copyright © 1992 SINGER  
All Rights Reserved Throughout the World

\* A Trademark of THE SINGER COMPANY

---

**List of parts**

---

**Sewing Machine**

---

***Quantum LE***  
***Professional SX***  
***SX 100***

---

## CONTENTS

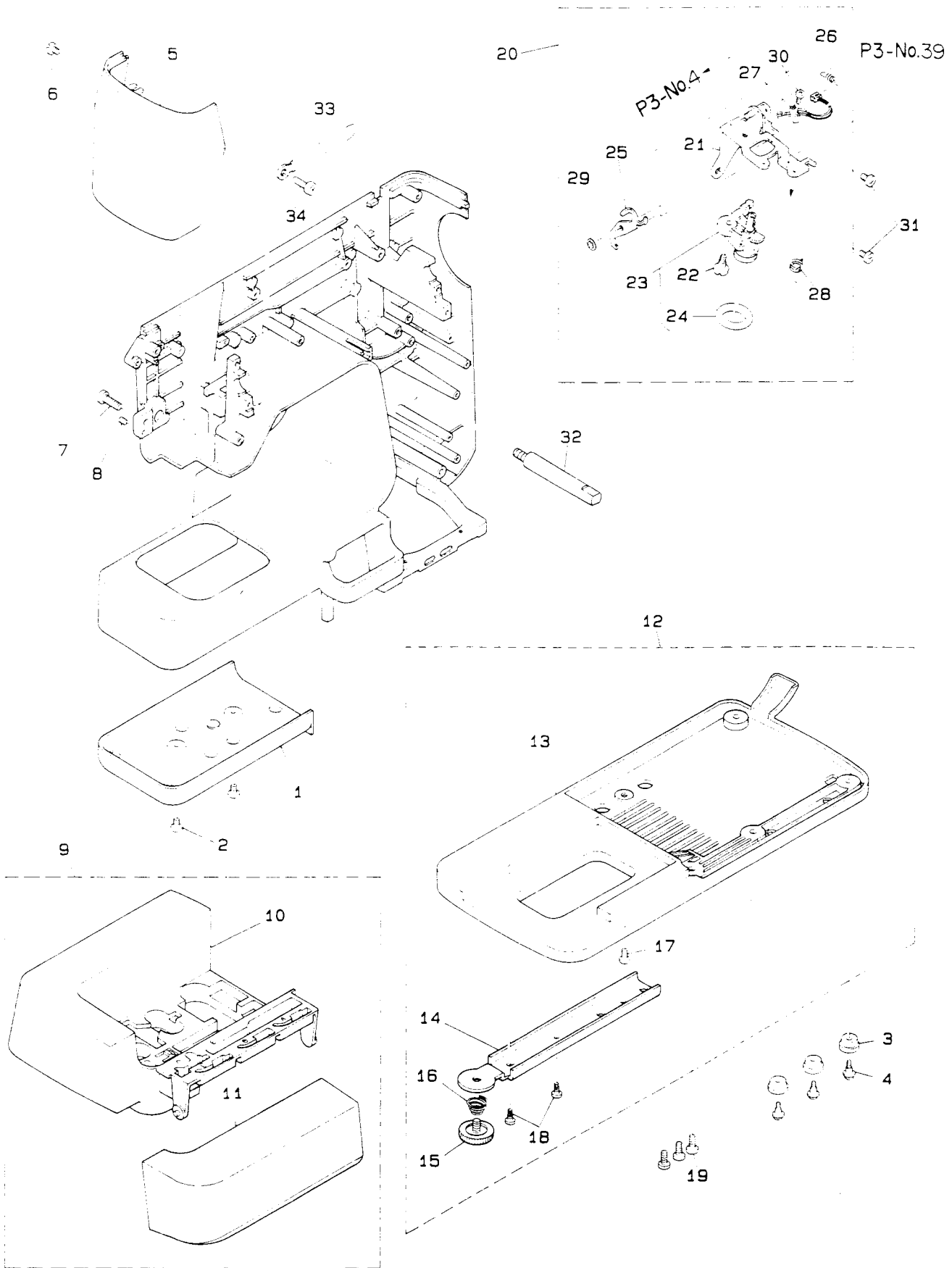
	Page
1. COVER AND THREAD WINDER COMPONENTS .....	1
2. UPPER COVER, UPPER PLATE AND BASE TENSION COMPONENTS .....	3
3. FRONT PANEL, MICRO COMPUTER CIRCUIT BOARD COMPONENTS .....	5
4. MAIN SHAFT, THREAD TAKE UP LEVER COMPONENTS .....	7
5. NEEDLE PLATE, HOOK DRIVING SHAFT AND FEED DOG COMPONENTS .....	9
6. NEEDLE BAR, PRESSER BAR AND LAMP COMPONENTS .....	11
7. TENSION RELEASING PLATE AND ONE STITCH SW. COMPONENTS .....	13
8. THREAD TRIMMER LINK AND OPERATING LEVER COMPONENTS .....	15
9. MOVING KNIFE COMPONENTS .....	17
10. NEEDLE BAR ROCKING STM AND FEED STM COMPONENTS .....	19
11. MOTOR AND POWER CIRCUIT BOARD COMPONENTS .....	21
12. ACCESSORIES PARTS COMPONENTS .....	23
13. NUMERICAL INDEX OF PARTS .....	25

(Note)

The part which has an asterisk (\*) before its part number is not separately available as a spare part so that the accuracy in assembling and smoothness in component investigation are assured.

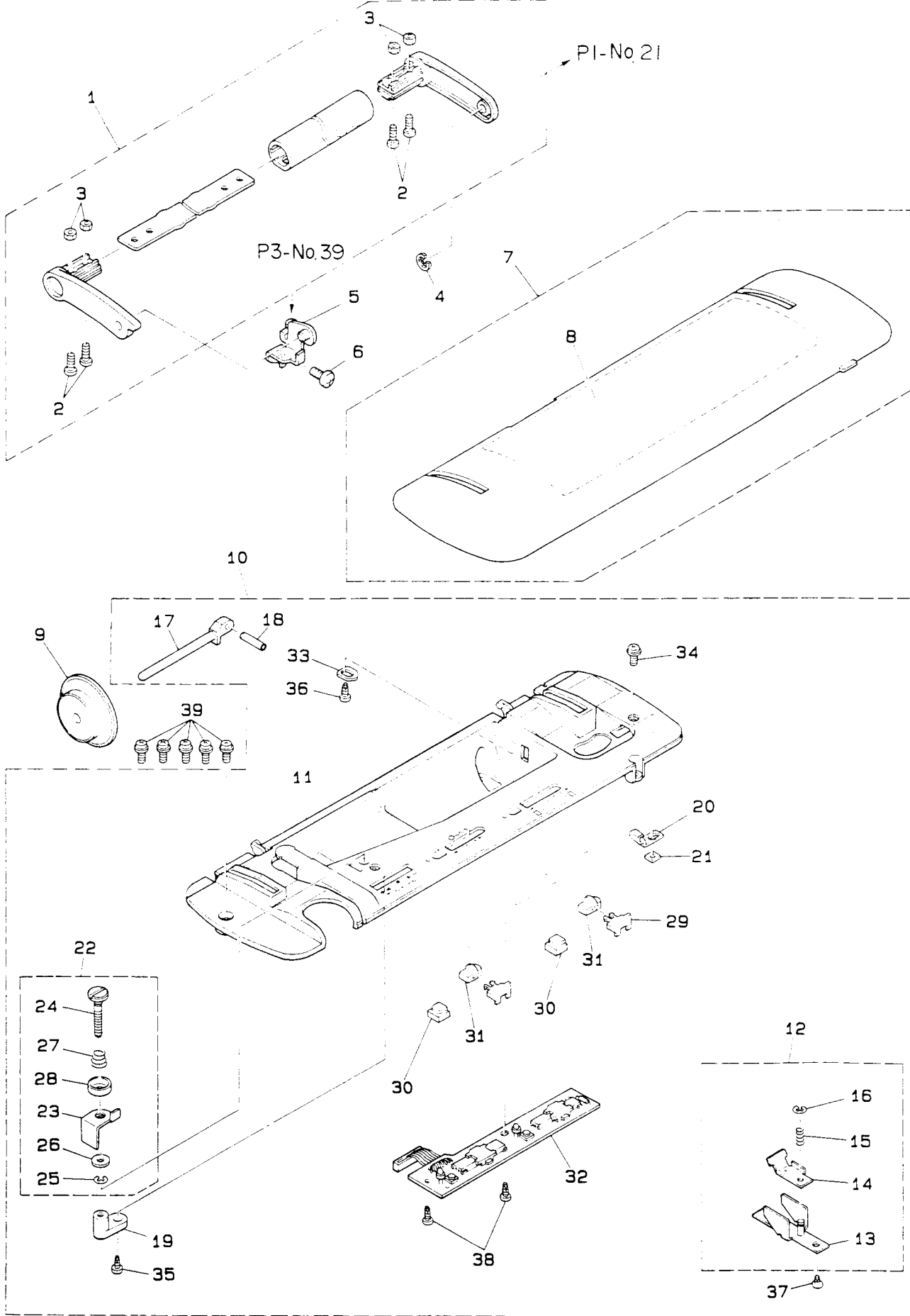
Consequently, please place your order using the part number of assembly containing the part.

1. COVER AND TERAPE WINDER COMPONENTS



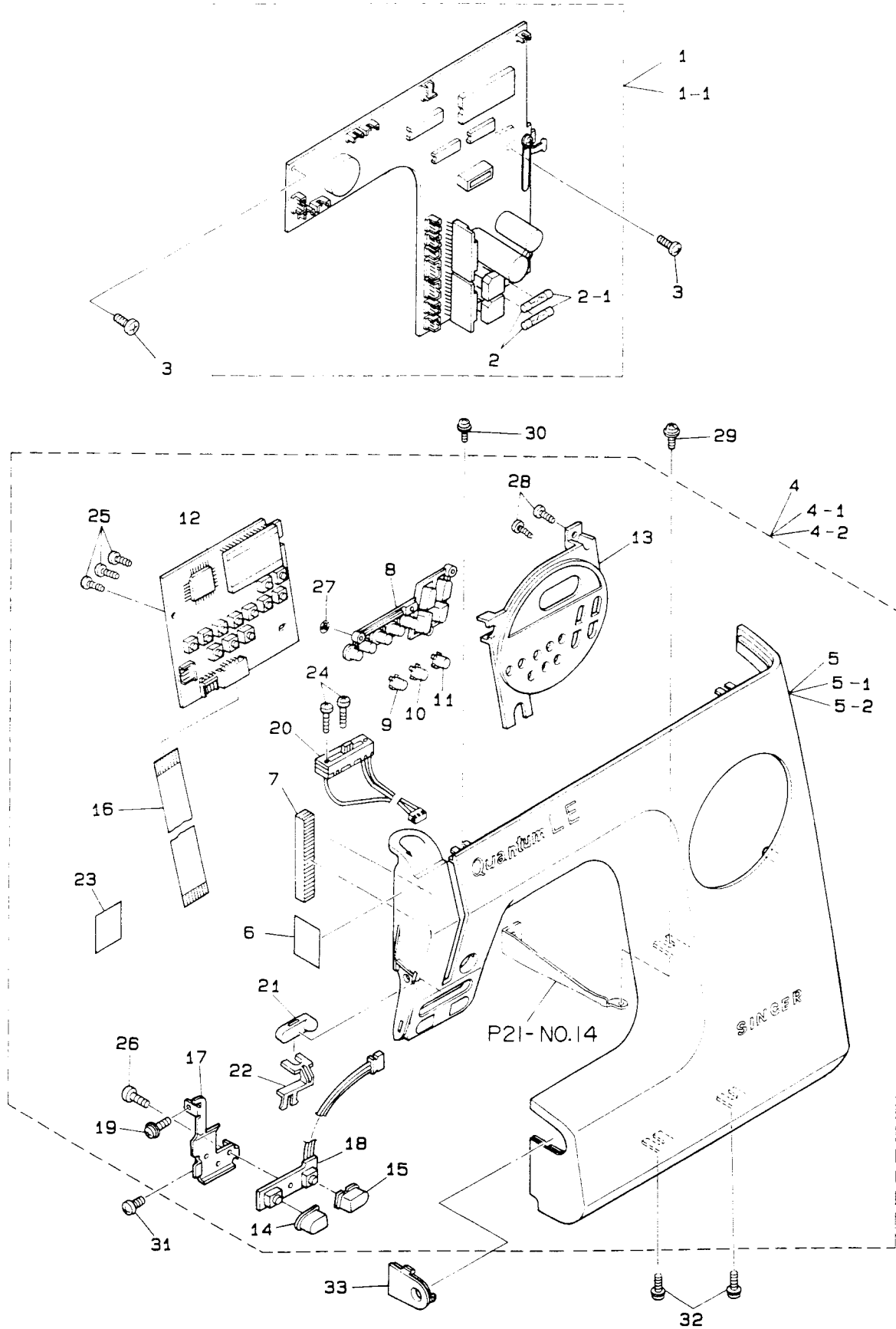
Ref	No.	Note	Part No.	Part Description	Qty
	1		385011	Cylinder bed bottom cover	1
	2		283488	Screw	2
	3		283029	Rubber washer	3
	4		385020	Screw	3
	5		385068	Face plate cover	1
	6		283257	Screw	1
	7		283503	Screw	1
	8		385347	Adjuster screw	1
	9		385019	Auxiliary bed (asm.)	1
	10		385133	Auxiliary bed	(1)
	11		385134	Auxiliary bed cover	(1)
	12		385018	Under side cover (asm.)	1
	13		385131	Under side cover	(1)
	14		385132	Metal fitting	(1)
	15		385129	Screw	(1)
	16		385130	Spring	(1)
	17		283491	Screw	(1)
	18		283522	Screw	(2)
	19		283502	Screw	3
	20		385071	Bobbin thread winder mounting base (master asm.)	1
	21		385278	Bobbin thread winder mounting base (asm.)	(1)
	22		385279	Hinge screw	(1)
	23		385072	Bobbin thread winder base (asm.)	(1)
	24		283308	Rubber ring	(1)
	25		385280	Clutch plate	(1)
	26		385281	Leaf spring	(1)
	27		385073	Winder SW (asm.)	(1)
	28		283307	Spring	(1)
	29		283304	Locknut	(1)
	30		385338	Screw	(1)
	31		385342	Screw	2
	32		385104	Transformer pole	1
	33		283322	Cord holder	1
	34		385342	Screw	1

2. UPPER COVER, UPPER PLATE AND BASE TENSION COMPONENTS



Ref	No.	Note	Part No.	Part Description	Qty
	1		385013	Handle (asm.)	1
	2		385341	Screw	(4)
	3		283449	Nut	4
	4		283460	E ring	1
	5		385014	Handle retaining plate (asm.)	1
	6		283502	Screw	1
	7		385015	Upper cover (asm.)	1
	8		385112	Pattern display panel seal	(1)
	9		385017	Thread spool cap	1
	10		385016	Upper plate (asm.)	1
	11		385113	Upper plate	(1)
	12		385115	Base tension (asm.)	(1)
	13	*	385114	Base tensioner plate (asm.)	(1)
	14	*	385117	Base tensioner plate	(1)
	15	*	385119	Spring	(1)
	16		283458	E ring	(1)
	17		385116	Spool	(1)
	18		385118	Thread spool pin	(1)
	19		385121	Thread guide mounting plate	(1)
	20		385122	Spool adjuster plate	(1)
	21		385123	Bobbin thread amount adjusting plate	(1)
	22		385125	Thread guide base (asm.)	(1)
	23	*	385124	Thread guide base	(1)
	24	*	385282	Thread guide disk shaft	(1)
	25	*	283314	Arch-shaped E ring	(1)
	26	*	283315	Washer	(1)
	27	*	283312	Spring	(1)
	28	*	283311	Thread guide disk	(1)
	29		385126	Connecting plate	2
	30		385127	Stitch length adjusting SW.	(2)
	31		385128	Manual adjusting knob	2
	32		385295	Manual circuit board (asm.)	(1)
	33		385120	Spool pin retaining plate	(1)
	34		385340	Screw	(1)
	35		283522	Screw	(1)
	36		283522	Screw	(1)
	37		283522	Screw	1
	38		283522	Screw	(2)
	39		385340	Screw	5

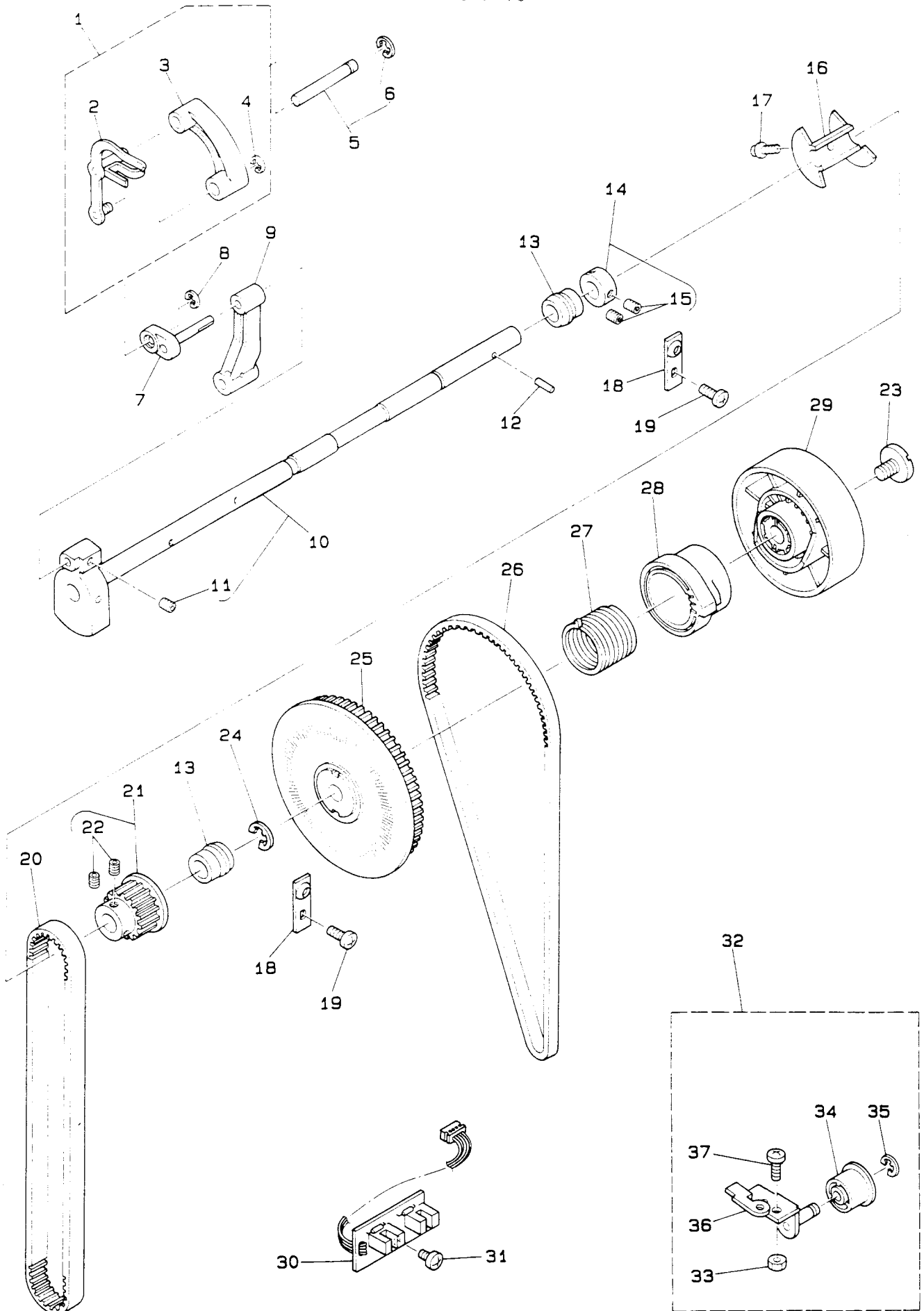
3. FRONT PANEL MICRO COMPUTER CIRCUIT BOARD COMPONENTS





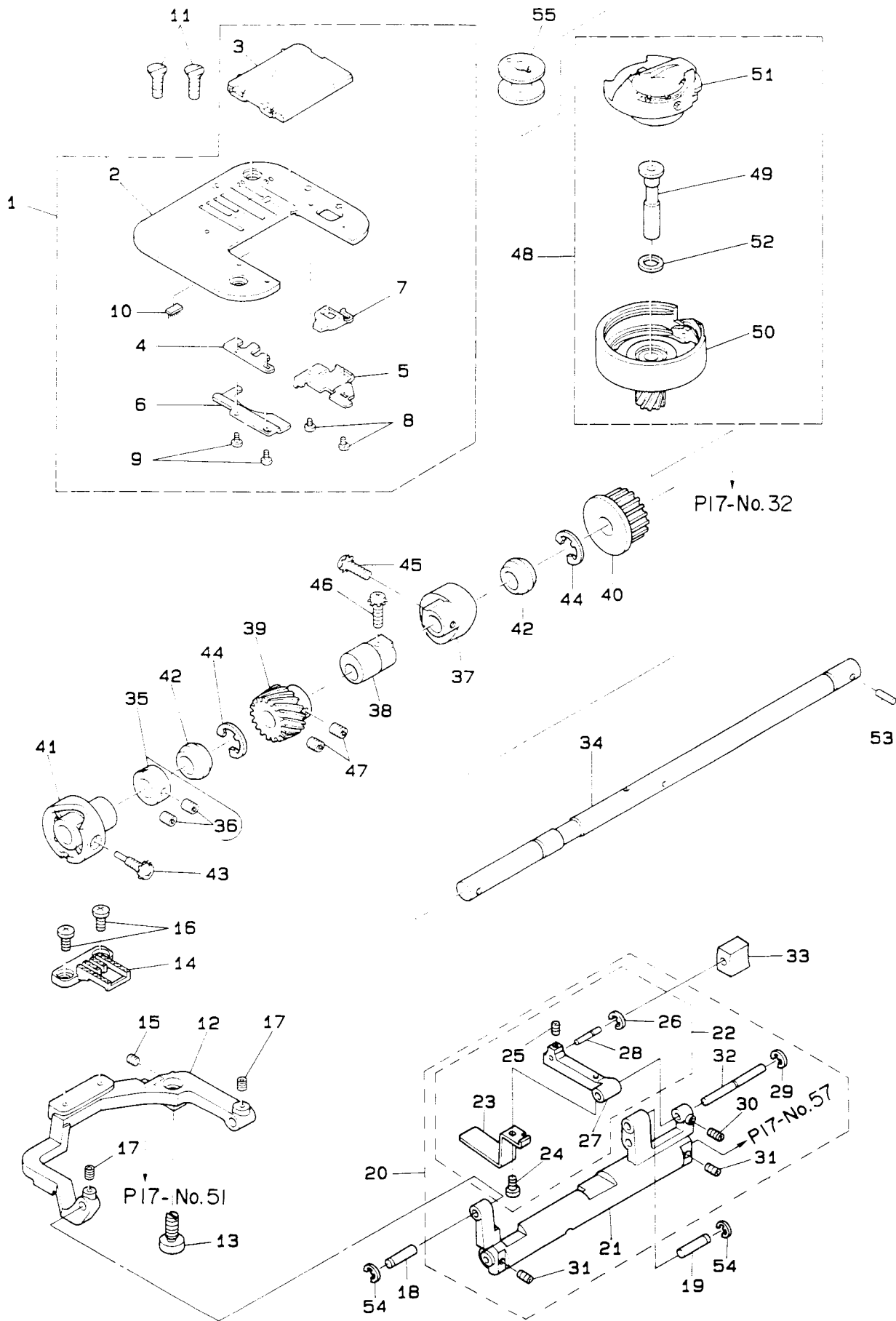
Ref	No.	Note	Part No.	Part Description	Qty
	1		385084	Micro computer circuit board (asm.) - UL/CSA	1
	1-1		385303	Micro computer circuit board (asm.) - VDE/BS SAA	1
	2		283434	Fuse - UL/CSA	2
	2-1		283689	Fuse - VDE/BS/SAA	2
	3		283491	Screw	2
	4		385076	Front panel (asm.) - UL/CSA	1
	4-1		385288	Front panel (asm.) - VDE/BS	1
	4-2		385286	Front panel (asm.) - SAA	1
	5		385289	Front panel - UL/CSA	1
	5-1		385287	Front panel - VDE/BS	1
	5-2		385285	Front panel - SAA	1
	6		283616	Lamp caution label	1
	7		385291	Take-up lever cover pile	1
	8		385290	Pattern selector button	1
	9		385292	Memory key top	1
	10		385293	Clear key top	1
	11		385294	Reduction key	1
	12		385077	Indicator circuit board (asm.)	1
	13		385078	Pattern display panel (asm.)	1
	14		385298	Start/stop button	1
	15		385299	Reverse stitch button	1
	16		385305	µCOM-indicator c. wire	1
	17		385306	Start/stop circuit board retaining plate	1
	18		385079	S/S switch base plate (asm.)	1
	19		283468	Thread path clearance adjuster screw	1
	20		385089	Slide VR (asm.)	1
	21		385318	Sewing speed setting lever	1
	22		385319	Slide VR c. plate	1
	23		283335	Switch lead tape	1
	24		283478	Screw	2
	25		283522	Screw	3
	26		283522	Screw	1
	27		283334	Locknut	4
	28		283522	Screw	2
	29		283471	Screw (middle)	1
	30		283469	Screw (upper)	1
	31		283469	Screw (face plate)	1
	32		283471	Screw (base)	2
	33		385297	Feed dog adjuster cover	1

# 4. MAIN SHAFT, THREADED TAKE UP LEVER COMPONENTS



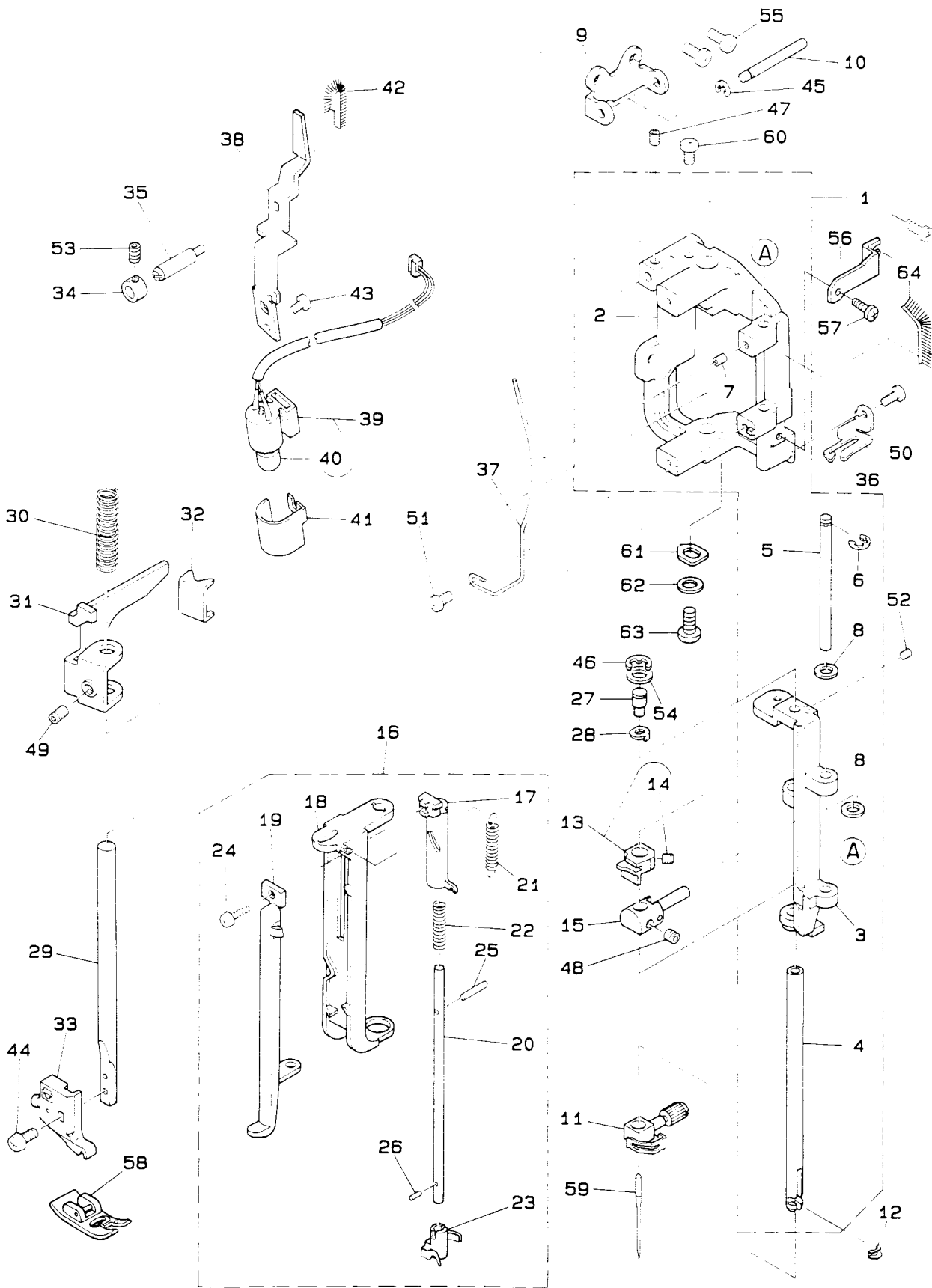
Ref No.	Note	Part No.	Part Description	Qty
1		385057	Thread take up lever master asm.	1
2	*	385223	Thread take up lever (asm.)	1
3	*	385224	Thread take up support	1
4		283459	E ring	1
5		385058	Thread take up lever supporting shaft (asm.)	1
6		283460	E ring	1
7		385140	Needle bar crank	1
8		283459	E ring	1
9		385143	Needle bar crank rod	1
10		385022	Main shaft (asm.)	1
11		283511	Screw	(1)
12		283455	Pin	1
13		385139	Main shaft bushing	2
14		283044	Main shaft thrust collar (asm.)	1
15		283511	Screw	(2)
16		385138	Main shaft detector shielding plate	1
17		283471	Screw	1
18		283187	Main shaft bushing receiving plate	2
19		283502	Screw	2
20		385092	Timing belt (large)	1
21		385024	Main shaft pulley (asm.)	1
22		283511	Screw	(2)
23		283054	Screw	1
24		283463	E ring	1
25		385026	Motor pulley	1
26		385093	Motor belt	1
27		283057	Clutch spring	1
28		385027	Clutch spring holder	1
29		385025	Handwheel	1
30		385081	Main shaft detector circuit board (asm.)	1
31		385312	Screw	1
32		385095	Idler (master asm.)	1
33		283450	Nut	(1)
34	*	385329	Idler	1
35		283460	E ring	(1)
36	*	385330	Idler (asm.)	1
37		385343	Screw	(1)

5. NEEDLE PLATE, HOOK DRIVING SHAFT AND FEED DOG COMPONENTS



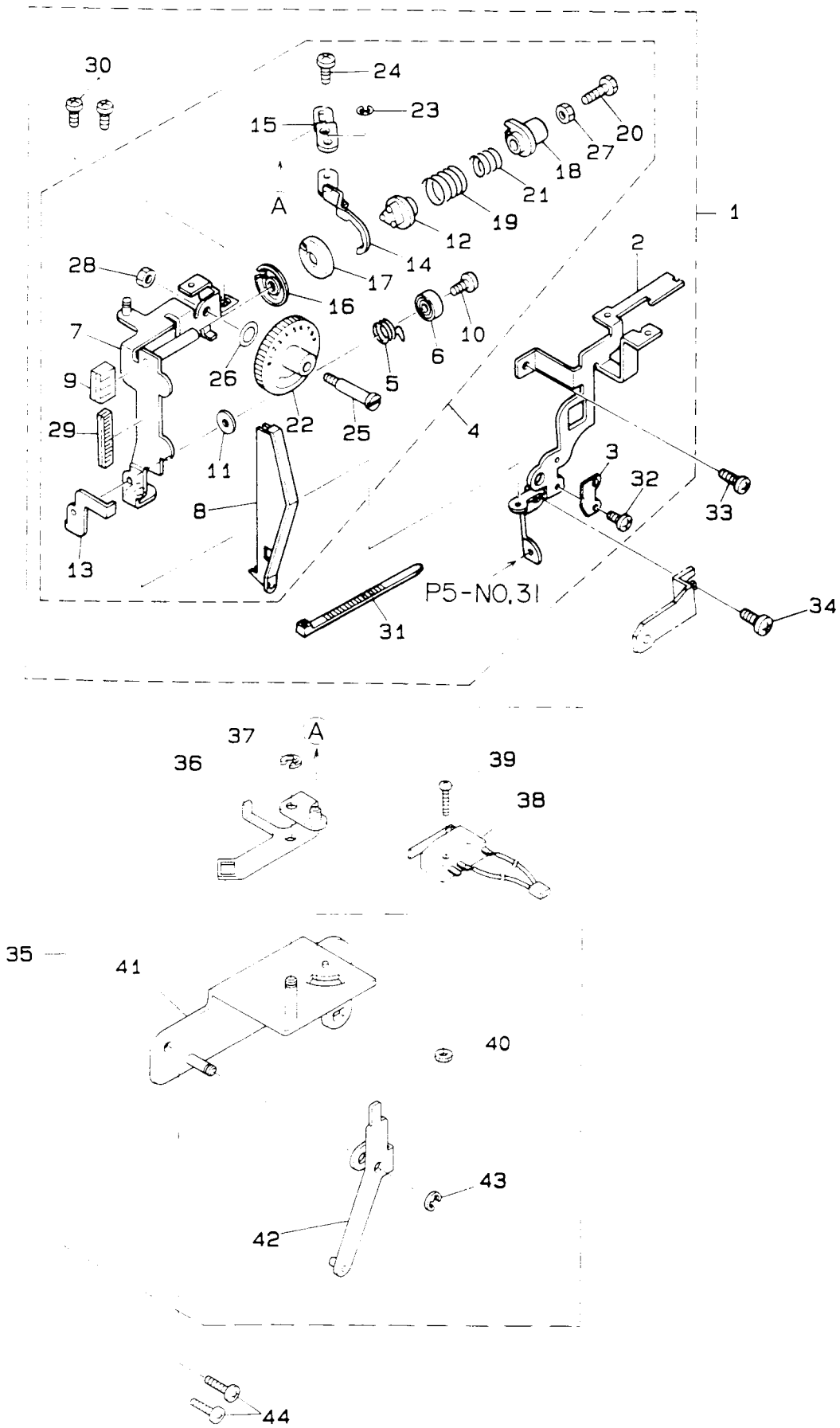
Ref No.	Note	Part No.	Part Description	Qty
1		385012	Needle plate (asm.)	1
2		385105	Needle plate	(1)
3		385106	Hook cover	(1)
4	*	385107	Hook cover installing base (Left)	(1)
5	*	385108	Hook cover installing base (Right)	(1)
6	*	385109	Bobbin case holder (Left)	(1)
7	*	385110	Hook cover open/close button	(1)
8		385335	Screw	(2)
9		385336	Screw	(2)
10		385111	Needle plate pile	(1)
11		283477	Screw	2
12		385169	Feed bar	1
13		385173	Feed regulator shaft	1
14		385187	Feed dog	1
15		283505	Screw	1
16		283491	Screw	2
17		283505	Screw	2
18		385170	Feed rock shaft (Left)	1
19		385172	Feed rock shaft (Right)	1
20		385175	Feed bar (asm.)	1
21	*	385174	Feed bar	(1)
22	*	385177	Feed rock shaft crank (asm.)	(1)
23	*	385178	Spring	(1)
24		283491	Screw	(1)
25		283505	Screw	(1)
26		283459	E ring	(1)
27	*	385176	Feed rock shaft crank	(1)
28	*	385180	Slide block shaft	(1)
29		283460	E ring	(1)
30		283505	Screw	(1)
31		283505	Screw	(2)
32	*	385179	Feed rock shaft	(1)
33		385183	Slide block	1
34		385206	Hook driving shaft	1
35		385137	Thrust collar (asm.)	1
36		283511	Screw	(2)
37		385171	Feed rock cam	1
38		385198	Lateral feed cam	1
39		385207	Hook driving gear	1
40		385208	Hook driving shaft pulley	1
41		385235	Thread trimmer cam	1
42		283186	Hook driving shaft bushing	2
43		283048	Screw	1
44		283463	E ring	2
45		283473	Screw	1
46		283473	Screw	1
47		283511	Screw	2
48		385053	Hook (asm.)	1
49		385209	Hook shaft	1
50		385210	Outer-hook (asm.)	(1)
51		385213	Inter-hook (asm.)	(1)
52		385352	Washer	(1)
53		385332	Hook driving shaft pulley pin	1
54		283459	E ring	2
55		385096	Bobbin	1

6. NEEDLE BAR, PRESSER BAR AND LAMP COMPONENTS



Ref	No.	Note	Part No.	Part Description	Qty
	1		385031	Needle bar rocking mounting base (asm.)	1
	2	*	385145	Needle bar rocking mounting base	(1)
	3	*	385146	Needle bar rocking	(1)
	4		385028	Needle bar	(1)
	5	*	385147	Needle bar rocking shaft	(1)
	6		283460	E ring	(1)
	7		283506	Screw	(1)
	8		283528	Washer	(2)
	9		385141	STM support	1
	10		385142	STM support shaft	1
	11		385029	Needle clamp (asm.)	1
	12		283059	Needle mis insert preventing plate	1
	13		385033	Needle bar thread guide (asm.)	1
	14		283506	Screw	(1)
	15		385034	Needle bar connecting bracket (asm.)	1
	16		385035	Needle threader guide (asm.)	1
	17	*	385149	Thread guide cylinder	(1)
	18	*	385150	Needle threader guide	(1)
	19	*	385151	Needle threader	(1)
	20	*	385153	Shaft	(1)
	21		385154	Spring	(1)
	22	*	385155	Spring	(1)
	23		283075	Needle threader hook holder (asm.)	(1)
	24		385348	Screw	1
	25	*	283456	Pin (Large)	(1)
	26	*	283454	Pin (Small)	(1)
	27		385152	Pin	1
	28		385230	Spring	1
	29		385159	Presser bar	1
	30		385160	Presser spring	1
	31		385161	Presser bar position bracket	1
	32		385162	Presser bar holder	1
	33		385042	Presser holder (asm.)	1
	34		385233	Collar	1
	35		385234	Shaft A	1
	36		385253	Needle bar thread guide	1
	37		385261	Needle thread guide bar	1
	38		385283	Light attaching plate	1
	39		385075	Light socket (asm.)	1
	40		283318	Light bulb	1
	41		385284	Light cover	1
	42		385263	Thread take up cover pile A	1
	43		283486	Screw	1
	44		283105	Screw	1
	45		283459	E ring	1
	46		283460	E ring	1
	47		283511	Screw	1
	48		385346	Screw	1
	49		283515	Screw	1
	50		283491	Screw	1
	51		283491	Screw	1
	52		283506	Screw	1
	53		283506	Screw	1
	54		283530	Washer	1
	55		283502	Screw	2
	56		385148	Guide plate	1
	57		283491	Screw	1
	58		385043	Presser foot (asm.)	1
	59		283405	Needle 2020.90/14	1
	60		385342	Screw	1
	61		385120	Stopper plate	1
	62		385350	Washer	1
	63		283517	Screw	1
	64		283295	Thread take up cover pile B	1

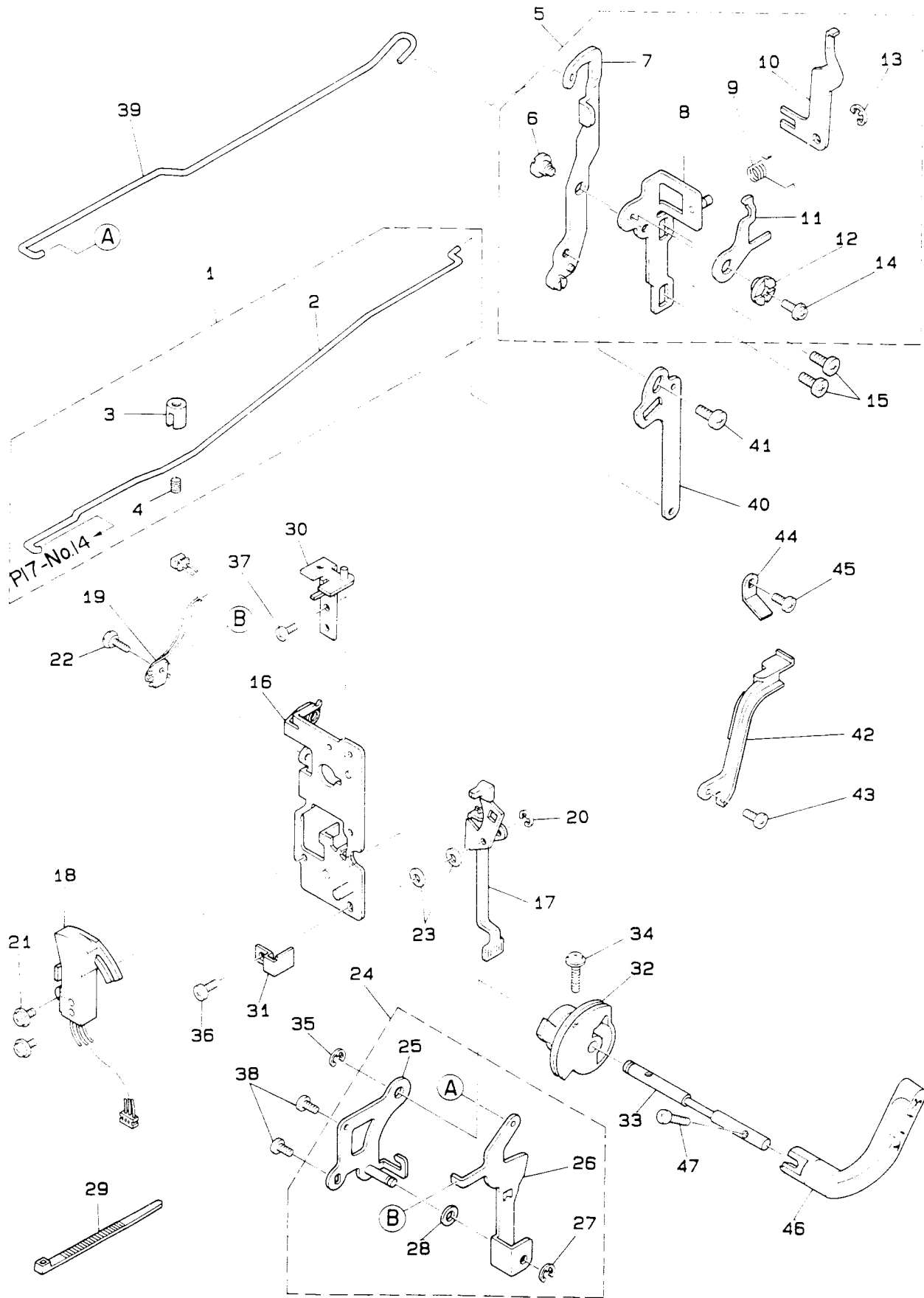
7. TENSION RELEASING PLATE AND ONE SWITCH SW. COMPONENTS





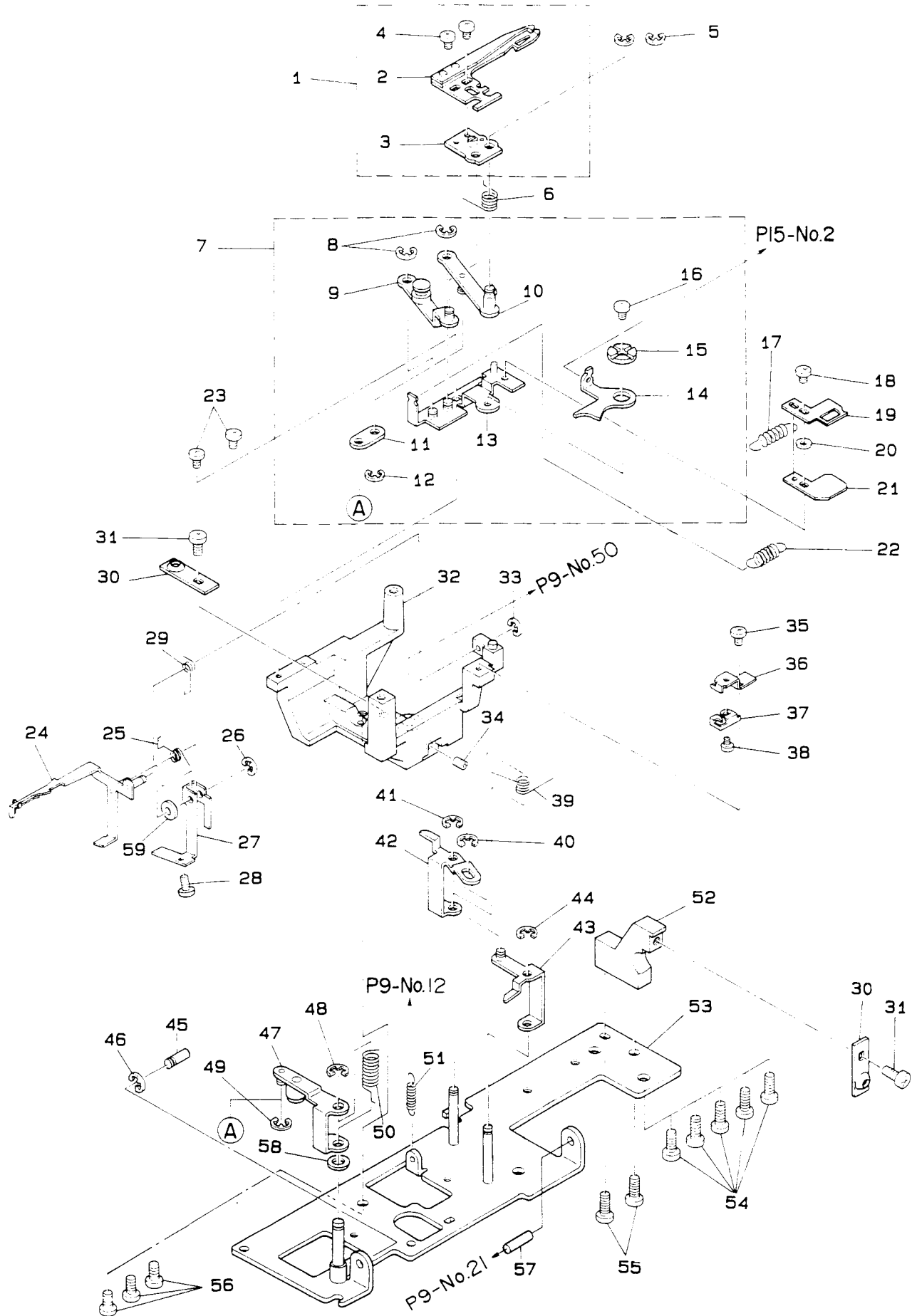
Ref	No.	Note	Part No.	Part Description	Qty
	1		385040	Operating lever shaft receiver plate (asm.)	1
	2		385164	Operating lever shaft receiver plate	1
	3		385166	Operating lever stopper plate	1
	4		385070	Thread guide (asm.)	1
	5		385254	Thread take-up spring	1
	6		385255	Spring holder	1
	7		385257	Face plate (asm.)	1
	8		385258	Face plate cover	(1)
	9		385259	Face plate pile	1
	10		283493	Screw	1
	11		385256	Washer	1
	12		385260	Tension spring base A	1
	13		385262	Thread take-up spring guide plate	1
	14		385265	Tension disk releasing plate	1
	15		385266	Adjuster plate	1
	16		385267	Tension disk A	1
	17		385268	Tension disk B	(1)
	18		385269	Tension spring base B	1
	19		385270	Tension spring A	1
	20		385271	Tension adjuster screw	1
	21		385272	Tension spring B	1
	22		385273	Tension knob	1
	23		283459	E ring	1
	24		283487	Screw	1
	25		385274	Tension knob shaft	1
	26		385275	Wave washer	1
	27		385276	Nut	1
	28		385277	Nut	1
	29		385264	Take-up lever cover pile C	1
	30		283491	Screw	2
	31		283355	Band	1
	32		283491	Screw	1
	33		283502	Screw	1
	34		385344	Screw (bottom)	1
	35		385062	Tension release supporting plate (master asm.)	1
	36		385063	Tension disk releasing link plate (asm.)	1
	37		283459	E ring	1
	38		385069	One stitch SW (asm.)	1
	39		283485	Screw	1
	40		283217	Nut	1
	41		385061	Tension release supporting plate (asm.)	1
	42		385231	Tension disk releasing contact (asm.)	1
	43		283459	E ring	1
	44		385342	Screw	2

8. THREAD TRIMMER LINK AND OPERATING LEVER COMPONENTS



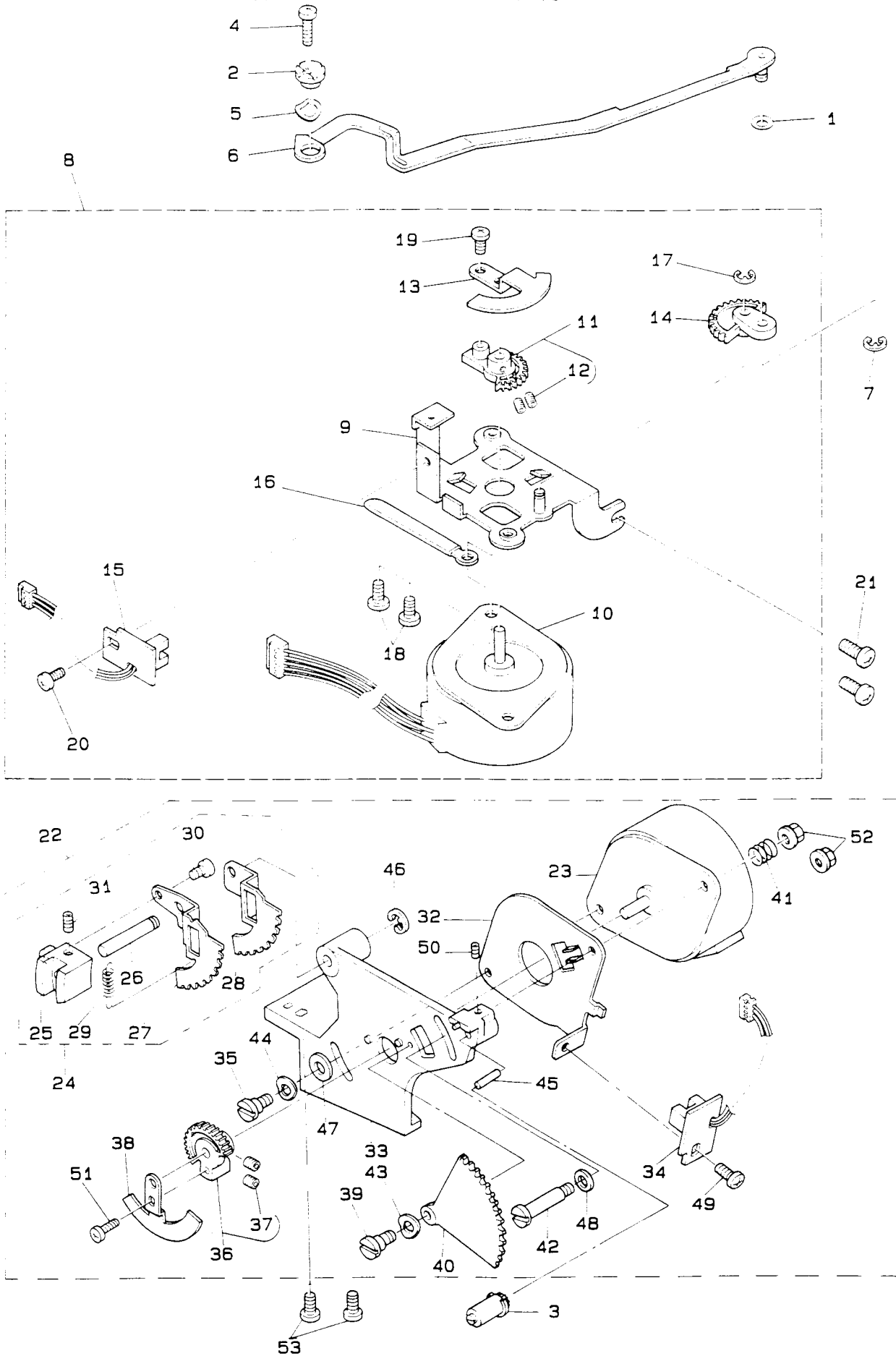
Ref	No.	Note	Part No.	Part Description	Qty
	1		385066	Knife selector lower link (asm.)	1
	2		385243	Knife selector lower link	1
	3		385201	Looper link pin	(1)
	4		283511	Screw	(1)
	5		385067	Thread trimmer link attaching plate (asm.)	1
	6		283252	Hinge screw	(1)
	7	*	385250	Thread trimmer link (asm.)	(1)
	8	*	385249	Thread trimmer link attaching plate (asm.)	(1)
	9	*	385245	Thread trimmer clutch plate spring	(1)
	10	*	385248	Thread trimmer clutch plate	(1)
	11	*	385247	Thread trimmer clutch plate link	(1)
	12	*	385246	Thread trimmer clutch plate link collar	(1)
	13		283459	E ring	(1)
	14		283471	Screw	(1)
	15		283502	Screw	2
	16		385144	Needle bar rocking STM mounting base (asm.)	1
	17		283228	BH selector plate (asm.)	1
	18		385232	BH switch base (asm.)	1
	19		385074	Thread trimmer SW (asm.)	1
	20		283460	E ring	1
	21		283470	Screw	2
	22		283485	Screw	1
	23		283528	Washer	2
	24		385041	Operating lever cam retaining plate (master asm.)	1
	25	*	385165	Operating lever cam retaining plate (asm.)	(1)
	26	*	385251	Thread trimmer actuating contact	(1)
	27		283459	E ring	(1)
	28		283527	Washer	(1)
	29		283355	Band	4
	30		385036	Thread regulator shaft mounting plate (asm.)	1
	31		385156	Thread guide frame guide plate	1
	32		385038	Operating lever cam	1
	33		385163	Operating lever shaft	1
	34		283098	Screw	1
	35		283460	E ring	1
	36		283491	Screw	1
	37		283491	Screw	1
	38		283491	Screw	2
	39		385244	Knife selector upper link	1
	40		385252	Thread trimmer link adjuster plate	1
	41		283502	Screw	1
	42		385102	Lifter hole lid	1
	43		283491	Screw	1
	44		385103	Metal fitting	1
	45		283491	Screw	1
	46		385039	Operating lever	1
	47		283491	Screw	1

# 9. MOVING KNIFE COMPONENTS



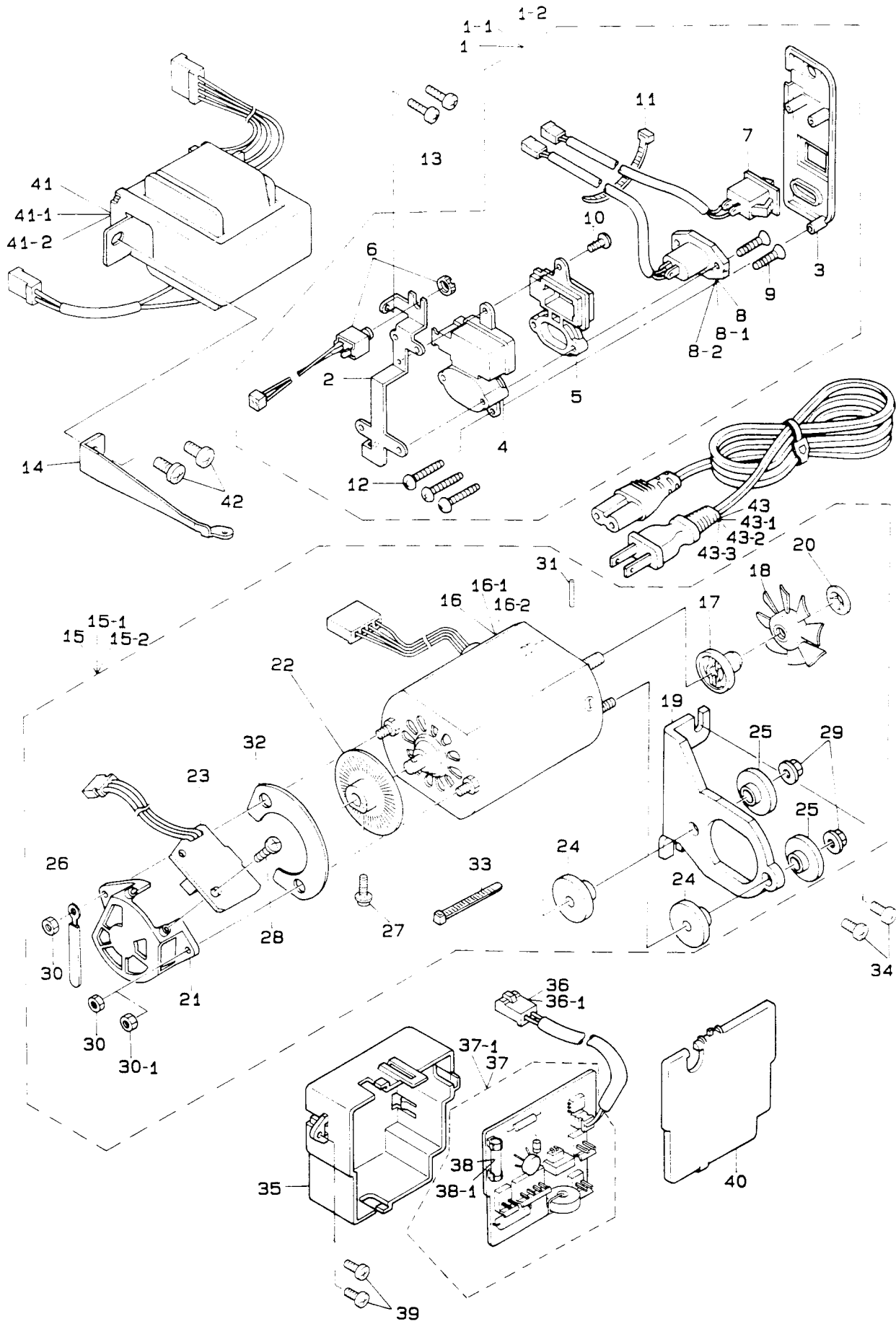
Ref	No.	Note	Part No.	Part Description	Qty
	1		385056	Moving knife master asm.)	1
	2	*	385215	Moving knife (asm.)	(1)
	3	*	385216	Moving knife attaching plate (asm.)	(1)
	4	*	283486	Screw	(2)
	5		283459	E ring	2
	6		385220	Spring	1
	7		385064	Knife removing plate attaching plate (asm.)	1
	8	*	283459	E ring	(2)
	9	*	385222	Moving knife link B (asm.)	(1)
	10	*	385221	Moving knife link A (asm.)	(1)
	11	*	385236	Knife drive link connecting plate	(1)
	12		283459	E ring	(1)
	13	*	385239	Knife removing plate attaching plate (asm.)	(1)
	14	*	385241	Knife removing plate	(1)
	15	*	283246	Knife removing plate collar	(1)
	16		385339	Screw	(1)
	17		385237	Moving knife lifting preventing spring	1
	18		385339	Screw	1
	19		385217	Guide plate (Upper)	1
	20		385219	Collar	1
	21		385218	Guide plate (Lower)	1
	22		385242	Spring	1
	23		283487	Screw	2
	24		385051	Looper (asm.)	1
	25		385202	Spring	1
	26		283458	E ring	1
	27		385199	Looper adjusting plate	1
	28		283486	Adjuster screw	1
	29		385200	Spring	1
	30		283187	Bushing receiving plate	2
	31		283502	Screw	2
	32		385214	Hook installing base	1
	33		283458	E ring	1
	34		283511	Screw	1
	35		385337	Screw	1
	36		385211	Inter hook holding plate	1
	37		385212	Inter hook holding plate spring	1
	38		385335	Screw	1
	39		385205	Spring	1
	40		283459	E ring	1
	41		283459	E ring	1
	42		385203	Looper link plate	1
	43		385204	Looper link plate contact (asm.)	1
	44		283459	E ring	1
	45		385167	Feed rock shaft (Left)	1
	46		283459	E ring	1
	47		385238	Knife driving link (asm.)	1
	48		283460	E ring	1
	49		283459	E ring	1
	50		385240	Spring	1
	51		385047	Spring	1
	52		385136	Hook driving shaft holder	1
	53		385135	Cylinder bed component cradle	1
	54		283502	Screw	5
	55		283502	Screw	2
	56		283502	Screw	3
	57		385168	Feed rock shaft (Right)	1
	58		283528	Washer	1
	59		385349	Washer	1

10. NEEDLE BAR ROCKING STM AND FEED STM COMPONENTS



Ref	No.	Note	Part No.	Part Description	Qty
	1		385157	Spring washer	1
	2		385158	Needle position adjusting collar	1
	3		385194	Feed regulator gear (B)	1
	4		283493	Screw	1
	5		283216	Washer (needle entry point)	1
	6		385037	Needle bar rocking cam (asm.)	1
	7		283459	E ring	1
	8		385059	Needle bar rocking STM mounting base (master asm.)	1
	9	*	385225	Needle bar rocking STM mounting base (asm.)	(1)
	10	*	385226	Needle bar rocking STM (asm.)	(1)
	11	*	385227	Needle bar rocking STM gear (asm.)	(1)
	12	*	283506	Screw	(2)
	13	*	385228	Shielding plate	(1)
	14	*	385229	Needle bar rocking STM link gear	(1)
	15		385060	Needle bar rocking detector circuit board (asm.)	(1)
	16	*	283322	Cord holder	(1)
	17		283459	E ring	(1)
	18	*	283502	Mounting screw	(2)
	19		283522	Screw	(1)
	20		283491	Screw	(1)
	21		283502	Screw	2
	22		385050	Feed STM (master asm.)	1
	23	*	385197	Feed STM (asm.)	(1)
	24		385046	Feed regulator (asm.)	(1)
	25	*	385182	Feed regulator	(1)
	26	*	385181	Feed regulator shaft	(1)
	27	*	385184	Feed regulator gear (A)	(1)
	28	*	385185	Feed regulator gear (B)	(1)
	29	*	385186	Spring	(1)
	30	*	283491	Screw	(1)
	31	*	283511	Screw	1
	32	*	385188	Feed STM Regulator plate	(1)
	33	*	385189	Feed STM mounting base	(1)
	34		385048	Feed detector circuit board (asm.)	(1)
	35	*	385190	Hinge screw	(1)
	36	*	385049	Feed STM gear (asm.)	(1)
	37	*	283506	Screw	(2)
	38	*	385191	Shielding plate	(1)
	39	*	385192	Feed adjusting gear (A) shaft	(1)
	40	*	385193	Feed adjusting gear (A)	(1)
	41	*	385195	Spring	(1)
	42	*	385196	Hinge screw	(1)
	43	*	385157	Spring washer	(1)
	44	*	283215	Spring washer	(1)
	45		385331	Feed regulator gear (B) shaft	(1)
	46	*	283460	E ring	(1)
	47	*	385352	Washer (A)	(1)
	48	*	385351	Washer (B)	(1)
	49		283491	Screw	(1)
	50		283505	Screw	(1)
	51	*	283522	Screw	(1)
	52	*	283448	Nut	(2)
	53		283502	Screw	2

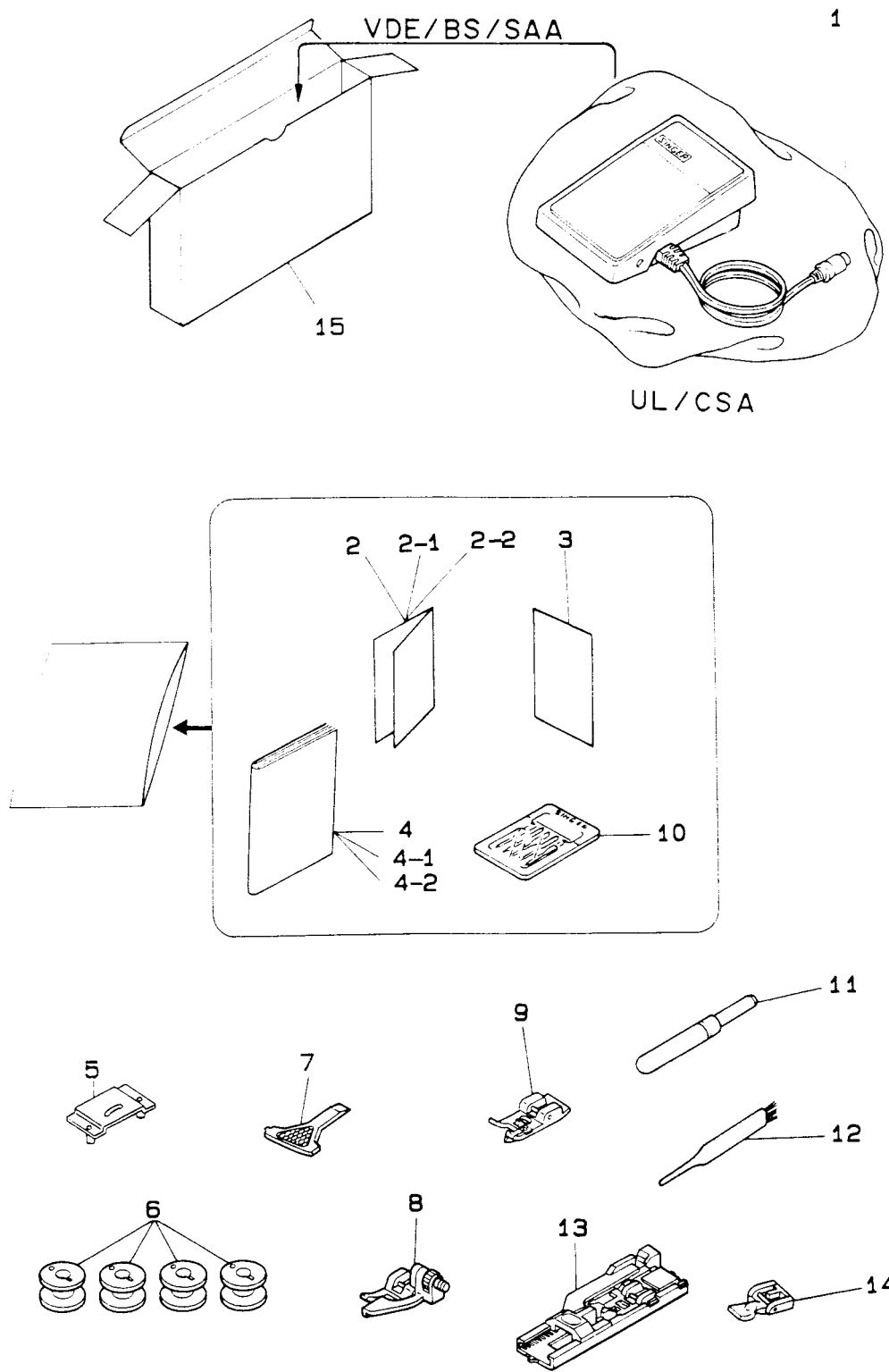
11. MOTOR AND POWER CIRCUIT BOARD COMPONENTS





Ref	No.	Note	Part No.	Part Description	Qty
	1		385087	Power SW mount. base (asm.) UL/CSA	1
	1-1		385311	Power SW mount. base (asm.) VDE/SAA	1
	1-2		385310	Power SW mount. base (asm.) BS	1
	2		385312	Power SW mount. base	(1)
	3		385313	Power SW cover	(1)
	4		385314	Inlet box	(1)
	5		385315	Inlet box cover	(1)
	6		385080	Speed controller receptacle (asm.)	(1)
	7		385082	Power SW (asm.)	(1)
	8		385086	Power cord inlet (asm.) UL/CSA	(1)
	8-1		385309	Power cord inlet (asm.) VDE/SAA	(1)
	8-2		385308	Power cord inlet (asm.) BS	(1)
	9		385334	Screw	(2)
	10		283491	Screw	(1)
	11		283355	Band	(1)
	12		283522	Screw	(3)
	13		283491	Screw	2
	14		385296	Metal fitting	1
	15		385090	Motor (asm.) B UL/CSA	1
	15-1		385325	Motor (asm.) B VDE	1
	15-2		385323	Motor (asm.) B BS/SAA	1
	16	*	385326	Motor (asm.) A UL/CSA	(1)
	16-1	*	385324	Motor (asm.) A VDE	(1)
	16-2	*	385322	Motor (asm.) A BS/SAA	(1)
	17	*	385320	Motor shaft pulley	1
	18	*	385321	Motor shaft pulley flange	(1)
	19	*	385327	Motor bracket	(1)
	20	*	385328	Lock nut	(1)
	21		283374	Motor pulse detector circuit board mounting base	1
	22		283375	Shielding plate	(1)
	23		385094	Motor pulse detector circuit board (asm.)	1
	24	*	283665	Motor insulator ring	(2)
	25	*	283666	Motor insulating bushing	2
	26		283322	Cord holder UL/CSA	1
	27		283473	Screw	(1)
	28		283522	Screw	(1)
	29	*	283448	Nut	(2)
	30		283451	Nut UL/CSA	(2)
	30-1		283690	NUT VDE/BS/SAA	1
	31	*	385333	Pulley pin	1
	32		283667	Motor circuit board insulating sheet VDE/BS/SAA	(1)
	33		283355	Band VDE/BS/SAA	1
	34		385345	Screw	2
	35		385300	Electrical component box	1
	36		385085	Power circuit board lead wire (asm.) UL/CSA	1
	36-1		385304	Power circuit board lead wire (asm.) VDE/BS/SAA	1
	37		385083	Power circuit board (asm.) UL/CSA	1
	37-1		385302	Power circuit board (asm.) VDE/BS/SAA	1
	38		283434	Fuse UL/CSA	(1)
	38-1		283689	Fuse VDE/BS/SAA	(1)
	39		283491	Screw	2
	40		385301	Electrical component box cover	1
	41		385088	Power transformer (asm.) UL/CSA	1
	41-1		385317	Power transformer (asm.) VDE	1
	41-2		385316	Power transformer (asm.) BS/SAA	1
	42		283502	Screw	2
	43		385307	Electric power cord (asm.) UL/CSA	1
	43-1		283545	Electric power cord (asm.) VDE	1
	43-2		283547	Electric power cord (asm.) BS	1
	43-3		283546	Electric power cord (asm.) SAA	1

12. ACCESSORIES PARTS COMPONENTS



Ref	No.	Note	Part No.	Part Description	Qty
	1		385091	Speed controller (asm.)	1
	2		283428	Warranty card UL/CSA	1
	2-1		283686	Warranty card BS	1
	2-2		283685	Warranty card SAA	1
	3		283698	Registration card UL/CSA	1
	4		385002	Instruction manual ENG/F/SP	1
	4-1		385003	Instruction manual D/NL/IT	1
	4-2		385004	Instruction manual SF/NO/DK	1
	5		385101	Embroidery needle plate (asm.)	1
	6		385096	Bobbin	4
	7		283394	Screwdriver	1
	8		385099	Blind stitch pressor foot (asm.)	1
	9		385100	Overedging pressor foot (asm.)	1
	10		283407	Needle (Accessory)	1
	11		385098	Seam ripper	1
	12		283403	Brush	1
	13		385097	Buttonholing pressor foot (asm.)	1
	14		283399	Zipper sewing pressor foot (asm.)	1
	15		283688	Speed controller box VDE/BS/SAA	1

13. NUMERICAL INDEX OF PARTS

Part No	Page	No	Part No	Page	No	Part No	Page	No	Part No	Page	No
283029	2	3	283459	18	44	283502	20	21	385025	8	29
283044	8	14	283459	18	46	283502	20	53	385026	8	25
283048	10	43	283459	18	49	283502	22	42	385027	8	28
283054	8	23	283459	20	7	283503	2	7	385028	12	4
283057	8	27	283459	20	17	283505	10	15	385029	12	11
283059	12	12	283460	4	4	283505	10	17	385031	12	1
283075	12	23	283460	8	6	283505	10	25	385033	12	13
283098	16	34	283460	8	35	283505	10	30	385034	12	15
283105	12	44	283460	10	29	283505	10	31	385035	12	16
283186	10	42	283460	12	6	283505	20	50	385036	16	30
283187	8	18	283460	12	46	283506	12	7	385037	20	6
283187	18	30	283460	16	20	283506	12	14	385038	16	32
283215	20	44	283460	16	35	283506	12	52	385039	16	46
283216	20	5	283460	18	48	283506	12	53	385040	14	1
283217	14	40	283460	20	46	283506	20	12	385041	16	24
283228	16	17	283463	8	24	283506	20	37	385042	12	33
283246	18	15	283463	10	44	283511	8	11	385043	12	58
283252	16	6	283468	6	19	283511	8	15	385046	20	24
283257	2	6	283469	6	30	283511	8	22	385047	18	51
283295	12	64	283469	6	31	283511	10	36	385048	20	34
283304	2	29	283470	16	21	283511	10	47	385049	20	36
283307	2	28	283471	6	29	283511	12	47	385050	20	22
283308	2	24	283471	6	32	283511	16	4	385051	18	24
283311	4	28	283471	8	17	283511	18	34	385053	10	48
283312	4	27	283471	16	14	283511	20	31	385056	18	1
283314	4	25	283473	10	45	283515	12	49	385057	8	1
283315	4	26	283473	10	46	283517	12	63	385058	8	5
283318	12	40	283473	22	27	283522	2	18	385059	20	8
283322	2	33	283477	10	11	283522	4	35	385060	20	15
283322	20	16	283478	6	24	283522	4	36	385061	14	41
283322	22	26	283485	14	39	283522	4	37	385062	14	35
283334	6	27	283485	16	22	283522	4	38	385063	14	36
283335	6	23	283486	12	43	283522	6	25	385064	18	7
283355	14	31	283486	18	4	283522	6	26	385066	16	1
283355	16	29	283486	18	28	283522	6	28	385067	16	5
283355	22	11	283487	14	24	283522	20	19	385068	2	5
283355	22	33	283487	18	23	283522	20	51	385069	14	38
283374	22	21	283488	2	2	283522	22	12	385070	14	4
283375	22	22	283491	2	17	283522	22	28	385071	2	20
283394	24	7	283491	6	3	283527	16	28	385072	2	23
283399	24	14	283491	10	16	283528	12	8	385073	2	27
283403	24	12	283491	10	24	283528	16	23	385074	16	19
283405	12	59	283491	12	50	283528	18	58	385075	12	39
283407	24	10	283491	12	51	283530	12	54	385076	6	4
283428	24	2	283491	12	57	283545	22	43-1	385077	6	12
283434	6	2	283491	14	30	283546	22	43-3	385078	6	13
283434	22	38	283491	14	32	283547	22	43-2	385079	6	18
283448	20	52	283491	16	36	283616	6	6	385080	22	6
283448	22	29	283491	16	37	283665	22	24	385081	8	30
283449	4	3	283491	16	38	283666	22	25	385082	22	7
283450	8	33	283491	16	43	283667	22	32	385083	22	37
283451	22	30	283491	16	45	283685	24	2-2	385084	6	1
283454	12	26	283491	16	47	283686	24	2-1	385085	22	36
283455	8	12	283491	20	20	283688	24	15	385086	22	8
283456	12	25	283491	20	30	283689	6	2-1	385087	22	1
283458	4	16	283491	20	49	283689	22	38-1	385088	22	41
283458	18	26	283491	22	10	283690	22	30-1	385089	6	20
283458	18	33	283491	22	13	283698	24	3	385090	22	15
283459	8	4	283491	22	39	385002	24	4	385091	24	1
283459	8	8	283493	14	10	385003	24	4-1	385092	8	20
283459	10	26	283493	20	4	385004	24	4-2	385093	8	26
283459	10	54	283502	2	19	385011	2	1	385094	22	23
283459	12	45	283502	4	6	385012	10	1	385095	8	32
283459	14	23	283502	8	19	385013	4	1	385096	10	55
283459	14	37	283502	12	55	385014	4	5	385097	24	6
283459	14	43	283502	14	33	385015	4	7	385097	24	13
283459	16	13	283502	16	15	385016	4	10	385098	24	11
283459	16	27	283502	16	41	385017	4	9	385099	24	8
283459	18	5	283502	18	31	385018	2	12	385100	24	9
283459	18	8	283502	18	54	385019	2	9	385101	24	5
283459	18	12	283502	18	55	385020	2	4	385102	16	42
283459	18	40	283502	18	56	385022	8	10	385103	16	44
283459	18	41	283502	20	18	385024	8	21	385104	2	32

Part No	Page	No	Part No	Page	No	Part No	Page	No	Part No	Page	No
385105	10	2	385176	10	27	385249	16	8	385322	22	16 2
385106	10	3	385177	10	22	385250	16	7	385323	22	15-2
385107	10	4	385178	10	23	385251	16	26	385324	22	16-1
385108	10	5	385179	10	32	385252	16	40	385325	22	15-1
385109	10	6	385180	10	28	385253	12	36	385326	22	16
385110	10	7	385181	20	26	385254	14	5	385327	22	19
385111	10	10	385182	20	25	385255	14	6	385328	22	20
385112	4	8	385183	10	33	385256	14	11	385329	8	34
385113	4	11	385184	20	27	385257	14	7	385330	8	36
385114	4	13	385185	20	28	385258	14	8	385331	20	45
385115	4	12	385186	20	29	385259	14	9	385332	10	53
385116	4	17	385187	10	14	385260	14	12	385333	22	31
385117	4	14	385188	20	32	385261	12	37	385334	22	9
385118	4	18	385189	20	33	385262	14	13	385335	10	8
385119	4	15	385190	20	35	385263	12	42	385335	18	38
385120	4	33	385191	20	38	385264	14	29	385336	10	9
385120	12	61	385192	20	39	385265	14	14	385337	18	35
385121	4	19	385193	20	40	385266	14	15	385338	2	30
385122	4	20	385194	20	3	385267	14	16	385339	18	16
385123	4	21	385195	20	41	385268	14	17	385339	18	18
385124	4	23	385196	20	42	385269	14	18	385340	4	34
385125	4	22	385197	20	23	385270	14	19	385340	4	39
385126	4	29	385198	10	38	385271	14	20	385341	4	2
385127	4	30	385199	18	27	385272	14	21	385342	2	31
385128	4	31	385200	18	29	385273	14	22	385342	2	34
385129	2	15	385201	16	3	385274	14	25	385342	8	31
385130	2	16	385202	18	25	385275	14	26	385342	12	60
385131	2	13	385203	18	42	385276	14	27	385342	14	44
385132	2	14	385204	18	43	385277	14	28	385343	8	37
385133	2	10	385205	18	39	385278	2	21	385344	14	34
385134	2	11	385206	10	34	385279	2	22	385345	22	34
385135	18	53	385207	10	39	385280	2	25	385346	12	48
385136	18	52	385208	10	40	385281	2	26	385347	2	8
385137	10	35	385209	10	49	385282	4	24	385348	12	24
385138	8	16	385210	10	50	385283	12	38	385349	18	59
385139	8	13	385211	18	36	385284	12	41	385350	12	62
385140	8	7	385212	18	37	385285	6	5-2	385351	20	48
385141	12	9	385213	10	51	385286	6	4-2	385352	10	52
385142	12	10	385214	18	32	385287	6	5-1	385352	20	47
385143	8	9	385215	18	2	385288	6	4-1			
385144	16	16	385216	18	3	385289	6	5			
385145	12	2	385217	18	19	385290	6	8			
385146	12	3	385218	18	21	385291	6	7			
385147	12	5	385219	18	20	385292	6	9			
385148	12	56	385220	18	6	385293	6	10			
385149	12	17	385221	18	10	385294	6	11			
385150	12	18	385222	18	9	385295	4	32			
385151	12	19	385223	8	2	385296	22	14			
385152	12	27	385224	8	3	385297	6	33			
385153	12	20	385225	20	9	385298	6	14			
385154	12	21	385226	20	10	385299	6	15			
385155	12	22	385227	20	11	385300	22	35			
385156	16	31	385228	20	13	385301	22	40			
385157	20	1	385229	20	14	385302	22	37-1			
385157	20	43	385230	12	28	385303	6	1-1			
385158	20	2	385231	14	42	385304	22	36-1			
385159	12	29	385232	16	18	385305	6	16			
385160	12	30	385233	12	34	385306	6	17			
385161	12	31	385234	12	35	385307	22	43			
385162	12	32	385235	10	41	385308	22	8-2			
385163	16	33	385236	18	11	385309	22	8-1			
385164	14	2	385237	18	17	385310	22	1-2			
385165	16	25	385238	18	47	385311	22	1-1			
385166	14	3	385239	18	13	385312	22	2			
385167	18	45	385240	18	50	385313	22	3			
385168	18	57	385241	18	14	385314	22	4			
385169	10	12	385242	18	22	385315	22	5			
385170	10	18	385243	16	2	385316	22	41-2			
385171	10	37	385244	16	39	385317	22	41-1			
385172	10	19	385245	16	9	385318	6	21			
385173	10	13	385246	16	12	385319	6	22			
385174	10	21	385247	16	11	385320	22	17			
385175	10	20	385248	16	10	385321	22	18			





