



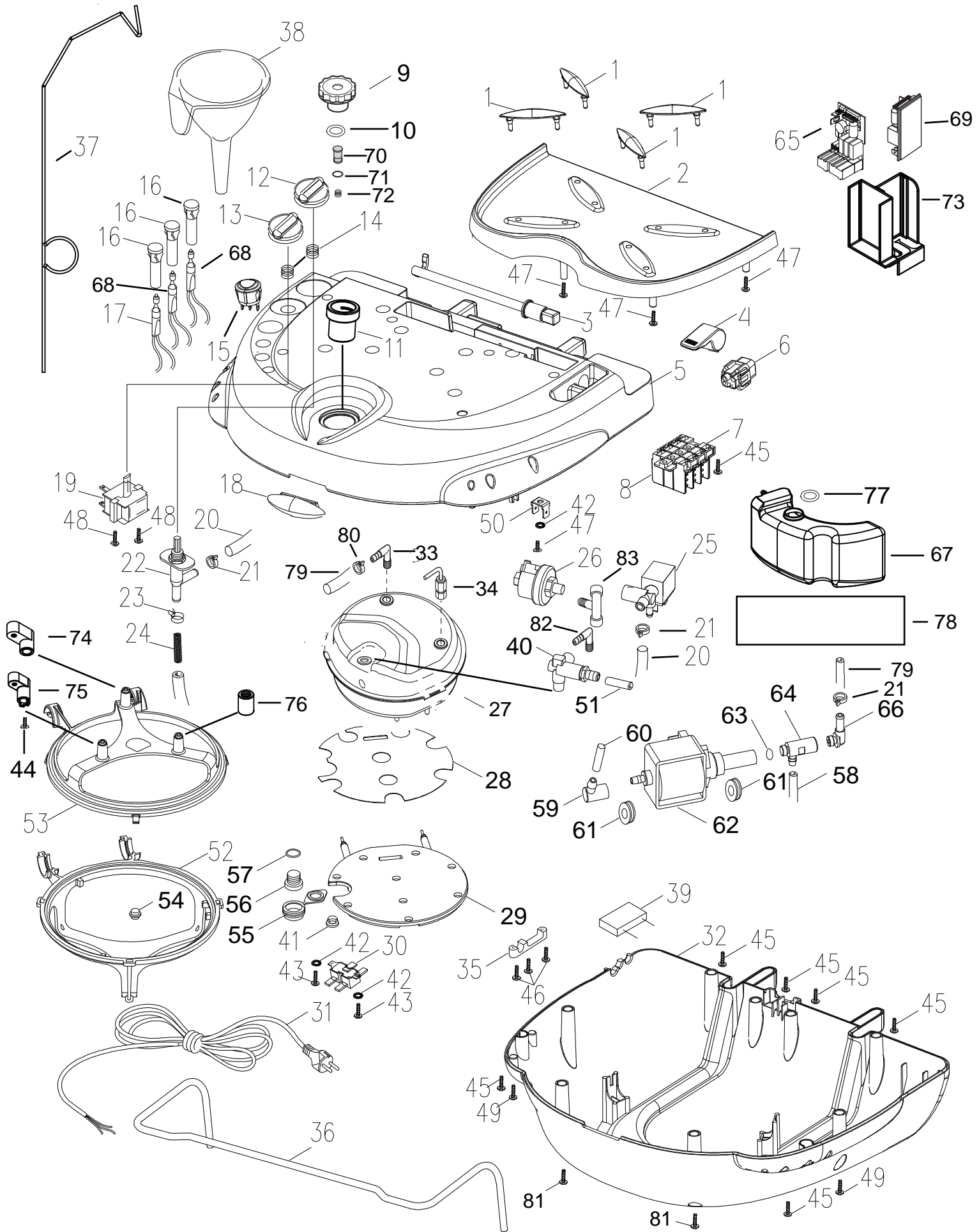
**SINGER<sup>®</sup>**

# Singer SB3040

## Integrated Board

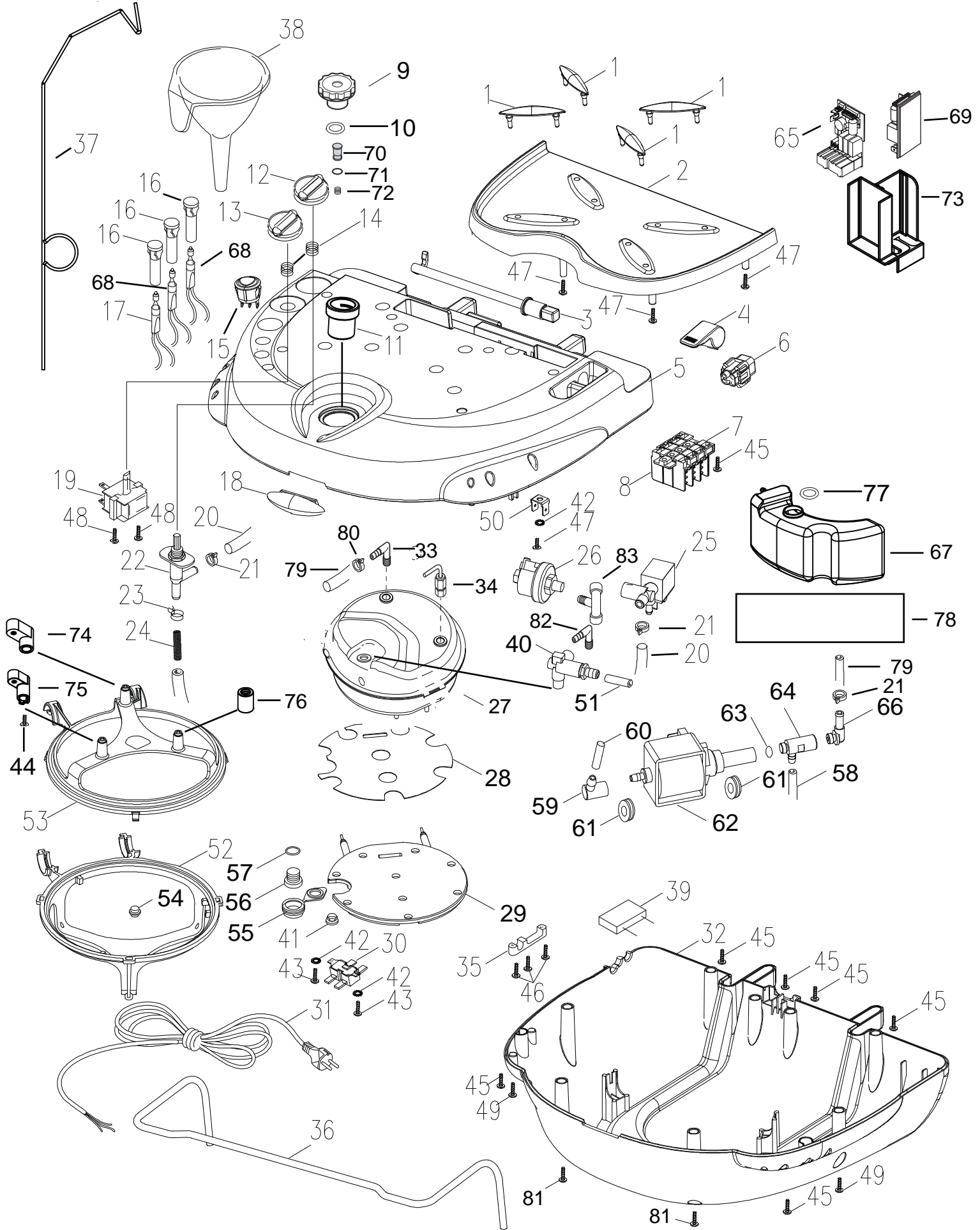
# Singer SB3040 Integrated Board

## A



NO.	PART NO.	DESCRIPTION
1	N/S	RUBBER FOR MAT CP720 GREY
2	N/S	MAT CP720 DARK GREY
3	N/S	PIVOT CP720
4	N/S	PLIERS CP720 GREY
5	N/S	UPPER BODY M725 SER."SINGER"+SIMBOLS
6	N/S	CONNECTOR FEMALE 5 POLES
7	N/S	TERMINAL REED OK508F/F
8	N/S	REAR HANDLE PIVOT FOR TERMINAL REED
9	N/S	710 TANK GREY CAP
10	N/S	BLACK 128 OR
11	N/S	PIN OF THE WATER TANK CAP M.725
12	N/S	KNOB FOR STEAM REG. 720 DARK GREY
13	N/S	SWITCH KNOB 720 DARK GREY
14	N/S	650/670 BOARD SPRING FOR MOTOR
15	N/S	BLACK ROUND SWITCH 2 POSIT. SER. I-II
16	N/S	ORANGE LIGHT SERIES EL/9A3
17	N/S	12V CONTROL LIGHT
18	N/S	CP720 RUBBER ELEMENT
19	N/S	15A 230/110V ROTARY SWITCH
20	N/S	BLACK EPDM TUBE 5 X 10 L=35 CM
21	N/S	CLIP 10-11 COBRA METALLIC
22	N/S	PLASTIC COCK
23	N/S	ELASTIC CLIP YD 10073
24	N/S	SPRING FOR STEAMHOSE
25	N/S	SOLENOID VALVE CEME 6622 AC230V 50HZ17VA
26	N/S	3,5 BAR WATER PRESSURE SWITCH
27	N/S	METALL WATER TANK 0,75LTXMOD.725 9 STUDS
28	N/S	"C" GRAPHITE SHAPE FOR IRON PLATE
29	N/S	C 230V 1300W IRON SOLE PLATE
30	N/S	THERMOSTAT+THERMOFUSIBLE 180c-298c
31	N/S	ELECTRIC CABLE 2,6MT SCHUKO PLUG
32	N/S	PLASTIC BOTTOM CP720 DARK GRAY
33	N/S	"L" CONNECTION
34	N/S	WATER LEVEL PROBE M.715 INT.- H 38.5MM
35	N/S	CABLE HOLDER 020-030
36	N/S	DRESS HANGER SUPPORT
37	N/S	CHROMED EXTENDED STEAMHOSE HOLDER 720MM
38	N/S	D.8 NEUTRAL FUNNEL
39	N/S	0,33 +2FF6,3 CONDENSER
40	N/S	VALVE CONNECTION
41	N/S	NUT ZN 5
42	N/S	NOTCHED WASHER D. 4.3
43	N/S	SCREW 4X6
44	N/S	SCREW 4X8
45	N/S	SCREW 3,5X16
46	N/S	TORX SCREW 3,5X20
47	N/S	SCREW 3,5X13
48	N/S	SCREW 2.9X25
49	N/S	SCREW TC+ 2,9X9,5
50	N/S	TAB TERMINAL BLOCK 90c
51	N/S	SILICONE TRANSP. TUBE 5,5X9 L = 20CM
52	N/S	INF PLASTIC REINFORCEMENT FOR WATER TANK
53	N/S	SUP PLASTIC REINFORCEMENT FOR WATER TANK
54	N/S	DARK GREY RUBBER ELEMENT FOR IRON STAND
55	N/S	RUBBER CAP
56	N/S	BRASS CAP CM4 (20X1+17X2)
57	N/S	GASKET O-RING 2056 14X178 GREEN VITON
58	N/S	SILICONE TRANSP.TUBE 5,5X9 L=17CM
59	N/S	PIPE UNION "L" FOR RUBBER HOLDER

# Singer SB3040 Integrated Board

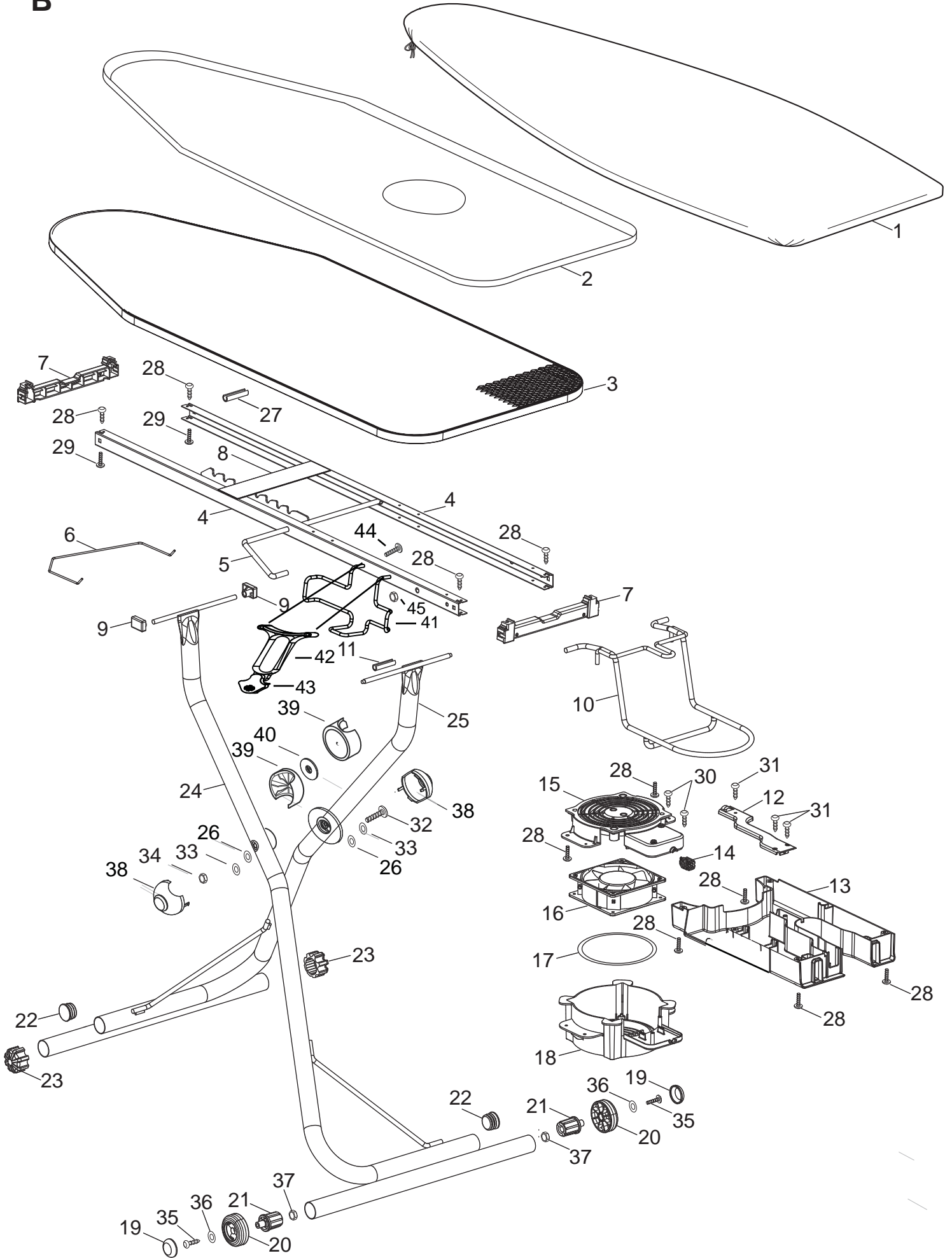


## Singer SB3040 Integrated Board

60	N/S	FILTER GROUP FOR PUMP X MOD. 745
61	N/S	ANTIVIBRATION RUBBER FOR PUMP
62	N/S	ULKA PUMP EP5/P 230V 48W
63	N/S	2025 6,07X1,78 GASKET O-RING
64	N/S	ANTI RETOUR FLAP S22 1/8 M-F
65	N/S	LEVEL CONTROL CARD ARE715 WITHOUT TURB.
66	N/S	90° CONNECTION
67	N/S	PLASTIC WATER TANK X MOD.ARE725
68	N/S	230V CONTROL LIGHT
69	N/S	PCB TRANSFORMER
70	N/S	PIN X RP715 TANK BUTTON
71	N/S	2025 6,07X1,78 OR
72	N/S	SPRING X 710 TANK BUTTON
73	N/S	HOLDER FOR DOUBLE CARD X 2URE725
74	N/S	SUPPORT FOR SUPERIOR REINFORCEMENT H26,93MM
75	N/S	SUPPORT FOR INFER. REINFORCEMENT H35,83MM
76	N/S	SUPPORT FOR SUPERIOR REINFORCEMENT H21,23H
77	N/S	WASHER D.34,5XD.27,7 THICKNESS 3MMXINSER
78	N/S	INSULATING COVER 22X10 CM
79	N/S	STEAM HOSE 23 CM SILICONE 5X10
80	N/S	55/95 CLIP TUBE FASTENER
81	N/S	SCREW 3.5X25
82	N/S	FITTING ELBOW
83	N/S	"T" RACORD M1/8 F1/8 F1/8 NI

Singer SB3040 Integrated Board

B



NO.	PART NO.	DESCRIPTION
1	N/S	UPP COVER ARE725 DARK GREY SINGER LOGO
2	N/S	INF COVER SILVER FOR AS620/621
3	N/S	ASSEMBLED PLANE AS621 PAINTED
4	N/S	SLIDING SHOE GUIDE MOD.621
5	N/S	RACK MOD.621
6	N/S	RACK SPRING MOD.AS621
7	N/S	GREY FRAME ENCLOSURE MOD.621
8	N/S	RACK LOCK MOD.AS621
9	N/S	GREY SLIDING SHOE MOD.AS621
10	N/S	720 IRONING SYSTEM SUPPORT
11	N/S	OPEN TRANSPARENT SILICONE TUBE 5X10X45
12	N/S	GREY TUNNEL COVER AI720
13	N/S	AI720 GREY TUNNEL W/OUT IRON SUPPORT
14	N/S	CONNECTOR MALE 5 POLES
15	N/S	UPPER FAN SHELL AS621
16	N/S	BIDIRECTIONAL MOTOR
17	N/S	ANTI-CONDENSATION SPONGE
18	N/S	LOWER FAN SHELL AS621
19	N/S	GREY SIDE/WHEEL CAP
20	N/S	DARK GREY WHEEL FOR PIN D.38
21	N/S	PIN D.38 FOR GREY WHEEL
22	N/S	GREY CAP D.38 FOR IRONING TABLES LEGS
23	N/S	GREY CAP D38 FOR LEGS
24	N/S	ASS.MOBILE LEG 720 PAINTED DARK GREY
25	N/S	ASS. FIXED LEG 720 PAINTED DARK GREY
26	N/S	NYLON WASHER 20X5,5
27	N/S	8X14X80 BLACK HOSE
28	N/S	SCREW 3.9 X 19
29	N/S	SCREW 3,5X12
30	N/S	SCREW 2,9X13 TCC/AB UNI6954 - ZN
31	N/S	SCREW 3,5X16
32	N/S	SCREW M8X100
33	N/S	BLACK WASHER 20X8,5X2,5
34	N/S	HEXAGONAL NUT M8
35	N/S	SCREW M5X50
36	N/S	WASHER M5
37	N/S	M5 BUSH
38	N/S	GREY LEGS BLOCKING COVER
39	N/S	GREY LEGS BLOCK
40	N/S	WASHER TEFLON
41	N/S	IRON SUPPORT X IRONING BOARD MOD. 725
42	N/S	SLIDING IRON ELASTIC
43	N/S	HOOK FOR ELASTIC DARK GREY
44	N/S	SCREW 5X16
45	N/S	NUT ZN 5