

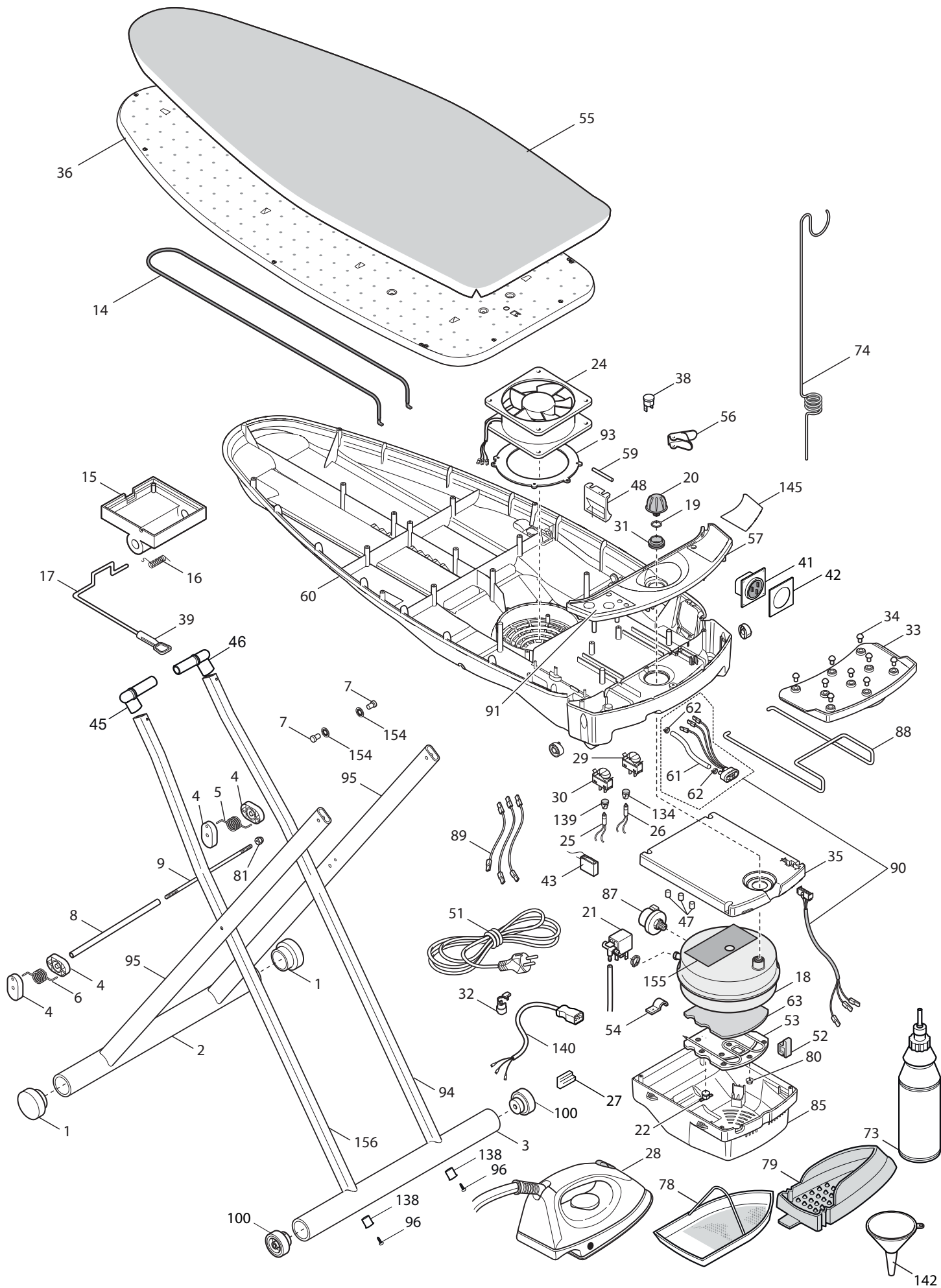


SINGER®

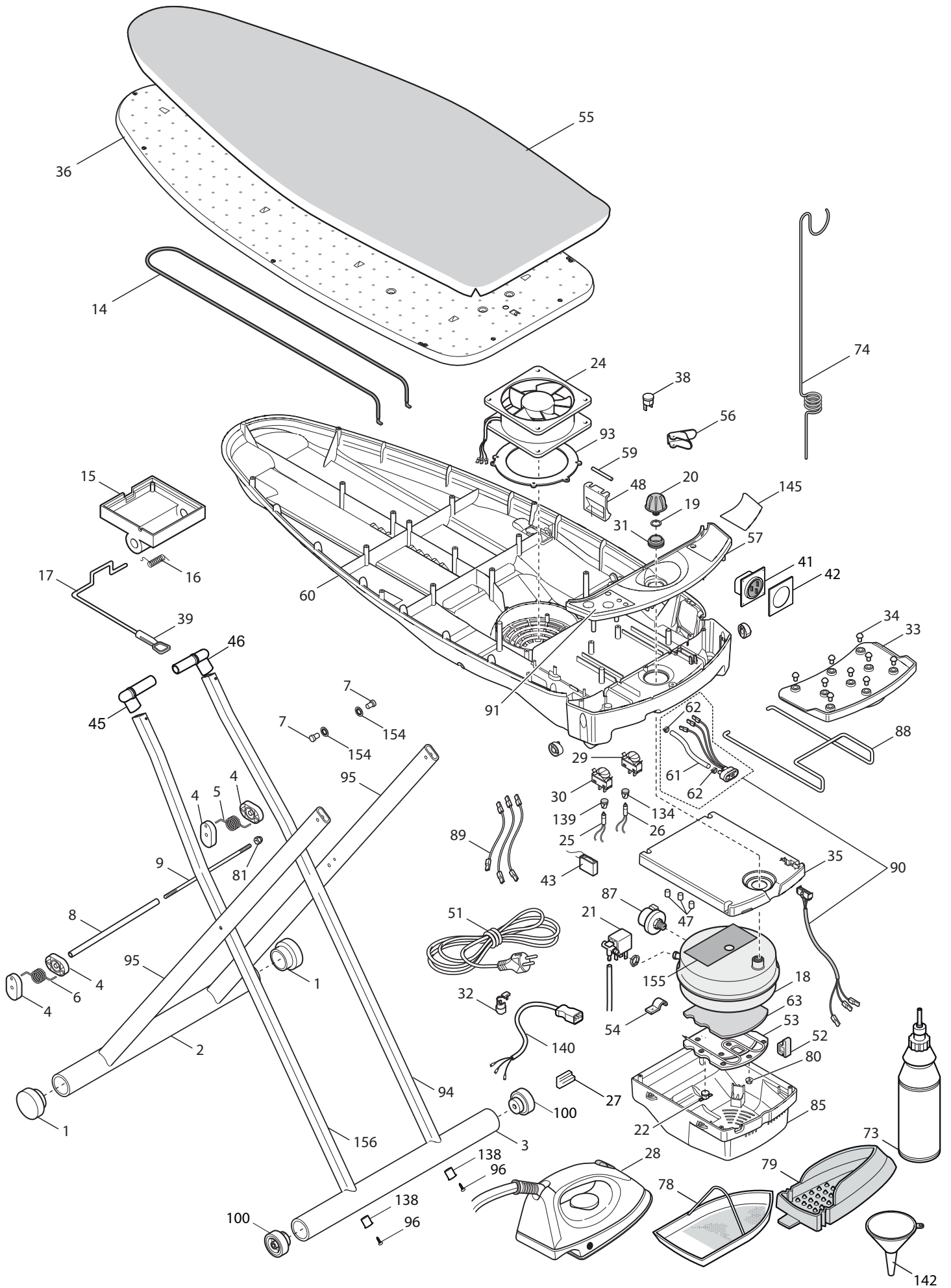
IRONING BOARD SB 2040

® A registered trademark of The Singer Company Ltd. or its affiliates.
® *Una marca registrada de The Singer Company Ltd. o sus afiliados.*
® *Une marca déposée de The Singer Company Ltd. ou ses filiales.*

Liste de pièces
Lista de Piezas
Parts List



POS	PART NO.	DESCRIPTION
1	416658701	ADJUSTABLE FEET SUPPORT D.40MM BLACK
2	416647401	ROUND GRAY PANT.426U VARNISHED LARGE CROSSBAR TOP IB40 LEG D=40
3	416647301	ROUND GRAY PANT.426U VARNISHED NARROW CROSSBAR TOP IB40 LEG D=40
4	416659301	SPACER LEG IB30 PP 30x15 IB30 PP RAL 7015
5	416649201	BALANCE SPRING IB3000 DX FE
6	416649301	BALANCE SPRING IB3000 SX FE
7	416648701	RIVET D= 6x50
8	416652401	AISI 304 BRUSHED TUBE 8X0,8 L. 206
9	416652301	THREADED BAR M6 L. 322
14	416655201	IRON. BOARD HEATING ELEMENT IB10-30-35 200W 230V
15	416659101	REGULATION SLIDE PP RAL 7015
16	416649101	LOCKING LEVER SPRING ZN.
17	416648601	LOCKING LEVER IB30 CHROMIUM PLATED
18	416648001	BOILER IB40 HS 0,9 L (GR+PERNI M5) (X)
19	416650201	OR 119 GASKET 15,08X2,62 SIL. ROSSO
20	416657601	SAFETY CAP 3/8 M 5.5 BAR GRAY PANT.426U ART.100/15
21	416653701	SOLENOID VALVE EN2/0S 1/8" 4W T.5522
22	416654201	THERMOSTAT INTERCONTROL TH 180° UL F.180°
24	416655601	MOTOR H.38 120x120 230V 50HZ cod.12038ASW/bid.
25	416656601	LIGHT WITH WIRING 6x13 0,8A FLUO 60mm M6,3 (WITH COVER)
26	416656701	LIGHT WITH WIRING 6x13 0,8A NEON 60mm M6,3 (WITH COVER)
27	416653801	TERMINAL BLOCK 3 POS. C/SYMB T FOR MALE FASTON
28	416645701	IRON EF9 GGGG SOFT 850W/A 4P MT.2 WITH PLUG NEUTRAL
29	416655701	UNIP. SWITCH UNIP.3P ART.24NBBS0505WT80 8A 250V
30	416656201	UNIP. SWITCH WITH RED LED SR-06NR-N(R) (X)
31	416649701	BOILER RUBBER GASKET D.20
32	416654101	CORD CLAMP TYPE 2336AA01 (BLACK)
33	416663001	IRON REST PAD IB40 BLACK
34	416649901	IRON REST PAD RUBBER 11 X 6 RB13
35	416660901	COVER DETACHABLE IB40/C PP PANT.426U
36	416646301	DRILLED PLATE IB30 ALLUNZINC
38	416655101	THERMOSTAT T.80 WITH CLAMP (FSTB)
39	416659201	LEVER HANDGRIP PP RAL 7015
40		
41	416657401	HUNK SOCKET 10A 250V ~ IEC320
42	416663101	SOCKET COVER 2P+T PANT.426U
43	416654701	CAPACITOR CX 0,47 uF PB 4,8
45	416659501	ARTICULATION SX IB30 PP RAL 7015
46	416659401	ARTICULATION DX IB30 PP RAL 7015
47	416651801	WOVEN TUBE EPDM 5x10 15MM (X)
48	416660501	LOCKING LEG IB40 PANT.426U/RAL7016
51	416655801	POWER CORD. MT 2,5 H05VV-F 3x1.0 D + CONN.F 3P CO/1
52	416649401	BOILER SUPPORT RUBBER SPACER (SELLE)
53	416663401	ALLUMINIUM PLATE WITH EATING ELEMENT "M" 1200W 230V
54	416646901	THERMOFUSE SUPPORT
55	416648801	IRON. BOARD CLOTH IB40 BORDEAUX WITH WHITE BORD
56	416658801	POWER CORD SUPPORT (SC25-35-45-SC30 BLACK)
57	416660601	CONTROL PANEL COVER IB40C RA/RAS GRAY PANT.426U
59	416645901	ROD IRON DIAM. 5 L 40 FE ZN IB3000
60	416660401	IRON. BOARD BODY IB40 PP PANT.426U/RAL7016
61	416651701	WOVEN TUBE EPDM 4x8 300mm
62	416652501	MONOEAR CLAMP 9,0-10,5 (SG11)



63	416664601	THERMAL COMPOUND (X)
73	416658501	REFILL BOTTLE WITH BATCHING CAP CC800
74	416647001	CORD-HOLDER CHROMATED L.600 D.4 WITH SPRING
78	416649601	TEFLON SOLEPLATE FOR IRON
79	416650101	(KIT): SHOE IRON PROTECTION IT.VERS.
80	416652201	HEXAGON FLANGED NUT M 5 ISO-4161/DIN-6923 6S ZB
81	416652001	CAP NUT M6 WITH PVC COVER
85	416660801	LOWER DETACHABLE BODY IB40 PANT.426U
87	416654801	PRESSURE SWITCH XP110 1/8" CALIBRATED 3.2 BAR
88	416647701	IRON PROTECTION D=6 x IB40 NICKEL-PLATED
89	416657501	WIRING IB40/C RAS MOT+HEAT.ELEM.+SOCKET
90	416655401	WIRING IB40/C BOILER HS
91	416658001	CONTROL PANEL STICKER IB40 RAS SX CARBONIO (2-SWITCH+2-LIGHT)
93	416660101	MOTOR SUPPORT
94	416647601	POST. NARROW LEG DX TOP IB40 30x15mm GRAY PANT.426U VARNISHED
95	416647501	FROT. LARGE LEG IB40 30x15mm GRAY PANT.426U VARNISHED
96	416653001	SCREW TSP 5,0x50 ZB
100	416664101	WHEEL D=40 with rubber and without wheels-stop)
134	416661401	RED LENS (X)
138	416662901	WEDGE FOR TOP LEG 30X15
139	416661201	GREEN LENS (X)
145	416657901	CONTROL PANEL STICKER IB40 RAS DX CARBONIO MONSTER EF
154	416652901	RETAINIG WASHER D= 6mm Dmax=13mm Acc.C60
156	416647901	POST. NARROW LEG SX TOP IB40 30x15mm GRAY PANT.426U VARNISHED