

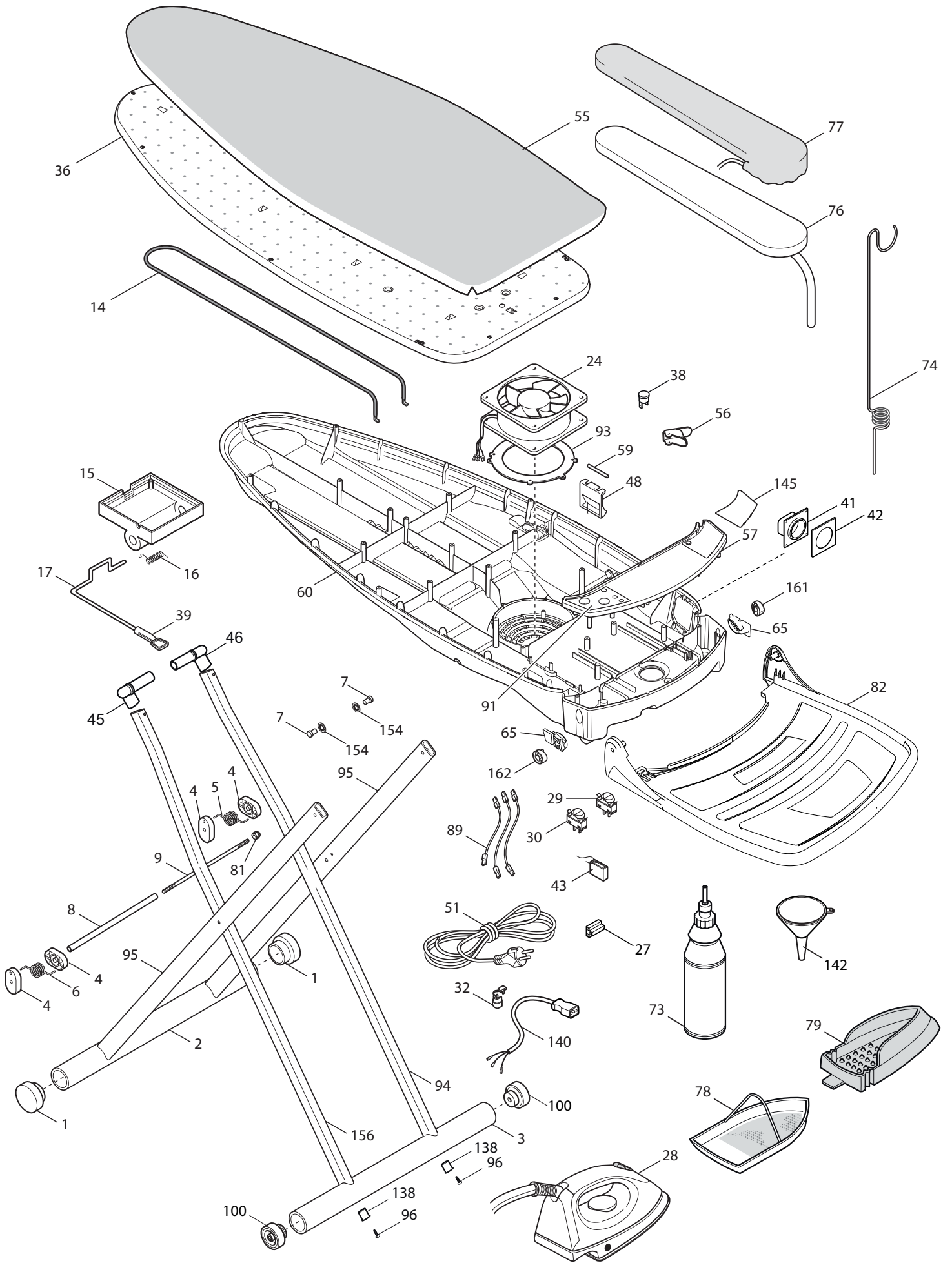


SINGER®

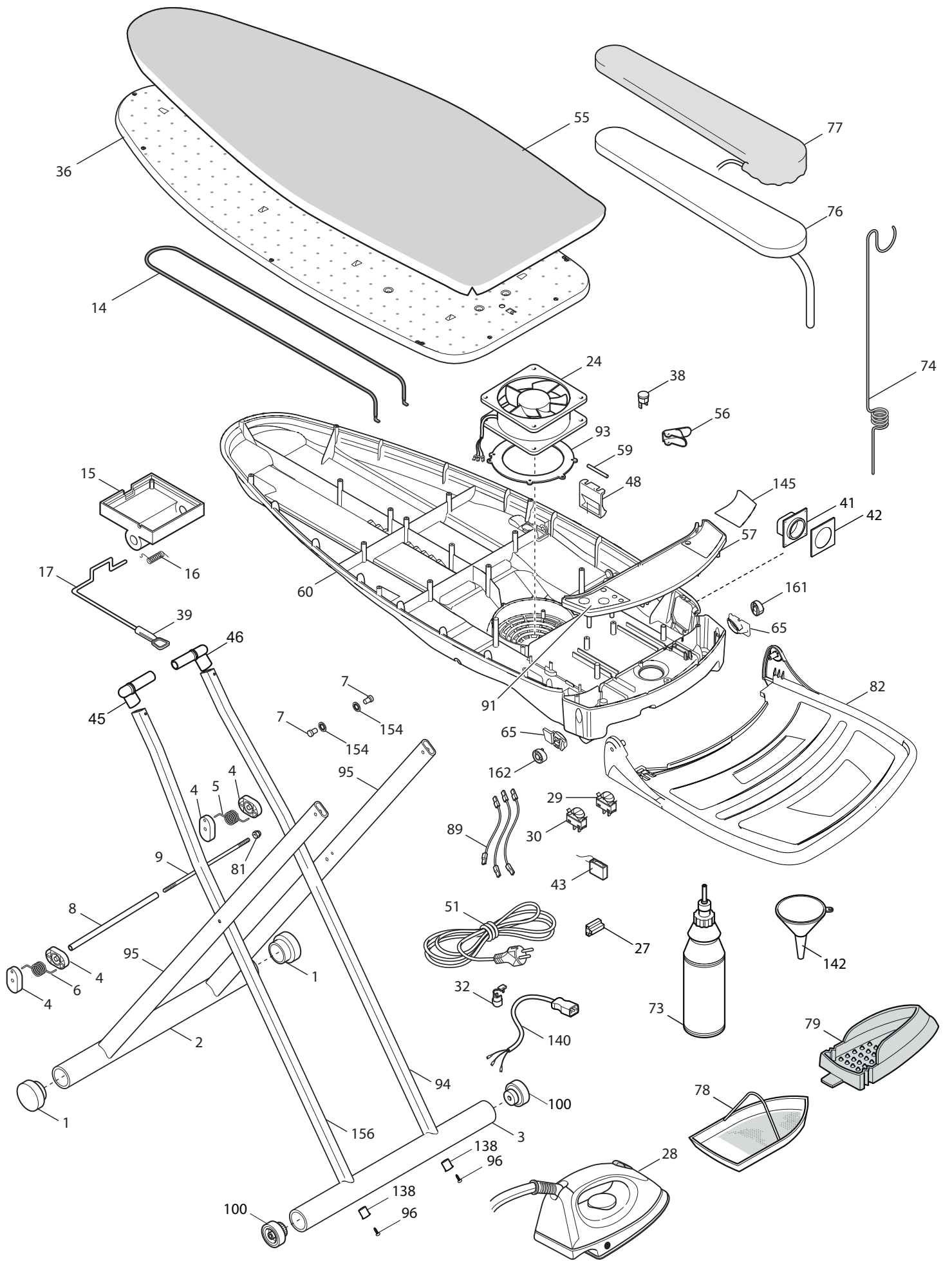
IRONING BOARD SB 1040

® A registered trademark of The Singer Company Ltd. or its affiliates.
® *Una marca registrada de The Singer Company Ltd. o sus afiliados.*
® *Une marca déposée de The Singer Company Ltd. ou ses filiales.*

Liste de pièces
Lista de Piezas
Parts List



POS	PART NO.	DESCRIPTION
1	416658701	ADJUSTABLE FEET SUPPORT D.40MM BLACK
2	416647401	ROUND GRAY PANT.426U VARNISHED LARGE CROSSBAR TOP IB40 LEG D=40
3	416647301	ROUND GRAY PANT.426U VARNISHED NARROW CROSSBAR TOP IB40 LEG D=40
4	416659301	SPACER LEG IB30 PP 30x15 IB30 PP RAL 7015
5	416649201	BALANCE SPRING IB3000 DX FE
6	416649301	BALANCE SPRING IB3000 SX FE
7	416648701	RIVET D= 6x50
8	416652401	AISI 304 BRUSHED TUBE 8X0,8 L. 206
9	416652301	THREADED BAR M6 L. 322
14	416655201	IRON. BOARD EATING ELEMENT IB10-30-35 200W 230V
15	416659101	REGULATION SLIDE PP RAL 7015
16	416649101	LOCKING LEVER SPRING ZN.
17	416648601	LOCKING LEVER IB30 CHROMIUM PLATED
24	416655601	MOTOR H.38 120x120 220/240V 50/60HZ cod.12038ASW/bid.
27	416653801	MALE FASTON BLOCK 3 POS. WITH GROUD SYMBOL
29	416655701	UNIP. SWITCH UNIP.3P ART.24NBBS0505WT80 8A 250V
30	416656201	UNIP. SWITCH WITH RED LED SR-06NR-N(R) (X)
31		
32	416654101	CORD CLAMP TYPE 2336AA01 (BLACK)
36	416646301	DRILLED PLATE IB30 ALLUNZINC
37		
38	416655101	THERMOSTAT T.80 WITH CLAMP (FSTB)
39	416659201	LEVER HANDGRIP PP RAL 7015
41	416655301	OUTLET SCHUKO 2P+T ART.023-KD-N_EURO WITHOUT COVER (BLACK)
42	416660201	OUTLET BLACK SCHUKO SUPPORT CS-023
43	416654701	CAPACITOR CX 0,47 uF PB 4,8
45	416659501	ARTICULATION SX IB30 PP RAL 7015
46	416659401	ARTICULATION DX IB30 PP RAL 7015
48	416660501	LOCKING LEG IB40 PANT.426U/RAL7016
51	416653501	POWER CORD 2,5 H05VV-F 3X1,5 D FM6.3
55	416648901	IRON. BOARD CLOTH IB30/35/40 LILLA-273
56	416658801	POWER CORD SUPPORT (SC25-35-45-SC30 BLACK)
57	416660701	CONTROL PANEL COVER IB40- RA/RAS GRAY PANT.426U/RAL7016
58		
59	416645901	ROD IRON DIAM. 5 L 40 FE ZN IB3000
60	416664301	IRON. BOARD BODY IB40 PP PANT.426U/RAL7016 WITH HOLES
65	416663201	WEDGE FIXING LOADING TRAY IB40
74	416647001	CORD-HOLDER CHROMATED L.500 D.4 WITH SPRING
78	416649601	TEFLON SOLEPLATE FOR IRON
81	416652001	CAP NUT M6 WITH PVC COVER
82	416660301	LOADING TRAY IB40 PANT.426U/RAL7016
89	416655501	WIRING IB40/- RAS MOT+HEAT.ELEM.
91	416658201	CONTROL PANEL STICKER IB40 RAS SX CARBONIO CL (2-SWITCH)
93	416660101	MOTOR SUPPORT
94	416647601	POST. NARROW LEG DX TOP IB40 30x15mm GRAY PANT.426U VARNISHED



95	416647501	FROT. LARGE LEG IB40 30x15mm GRAY PANT.426U VARNISHED
96	416653001	SCREW TSP 5,0x50 ZB
100	416664101	WHEEL D=40 with rubber and without wheels-stop)
138	416662901	WEDGE FOR TOP LEG 30X15
142	416664401	FUNNEL D6 CM
145	416658101	CONTROL PANEL STICKER IB40 RAS DX CARBONIO MONSTER EF
154	416652901	RETAINIG WASHER D= 6mm Dmax=13mm Acc.C60
156	416647901	POST. NARROW LEG SX TOP IB40 30x15mm GRAY PANT.426U VARNISHED
161	416659901	RIGHT FIXING LOADING TRAY SPACER IB40
162	416660001	LEFT FIXING LOADING TRAY SPACER IB40