

Parts List

Sewing Machines

HD 102 • HD 105
HD 110 • HD 118
HD 205 • HD 210
CG-500 • CG-550
CG-590



© 2006 SINGER DO BRASIL
ALL RIGHTS RESERVED

REVISIONS

REV. 02 - Revised and added Models HD 118 and CG-590

REV. 03 - Revised pages 2,3,10,11 and 31

01/29/10

REV. 04 - Revised pages 44 and 45

19/02/10

REV. 05 - Adopted Line Plug

02/07/10

REV. 06- Adopted Hook System - plastic pulley

01/12/11

REV. 07- Adopted screw 358499-454 was 113455-009

01/12/11

REV. 08- Adopted farolete line plug

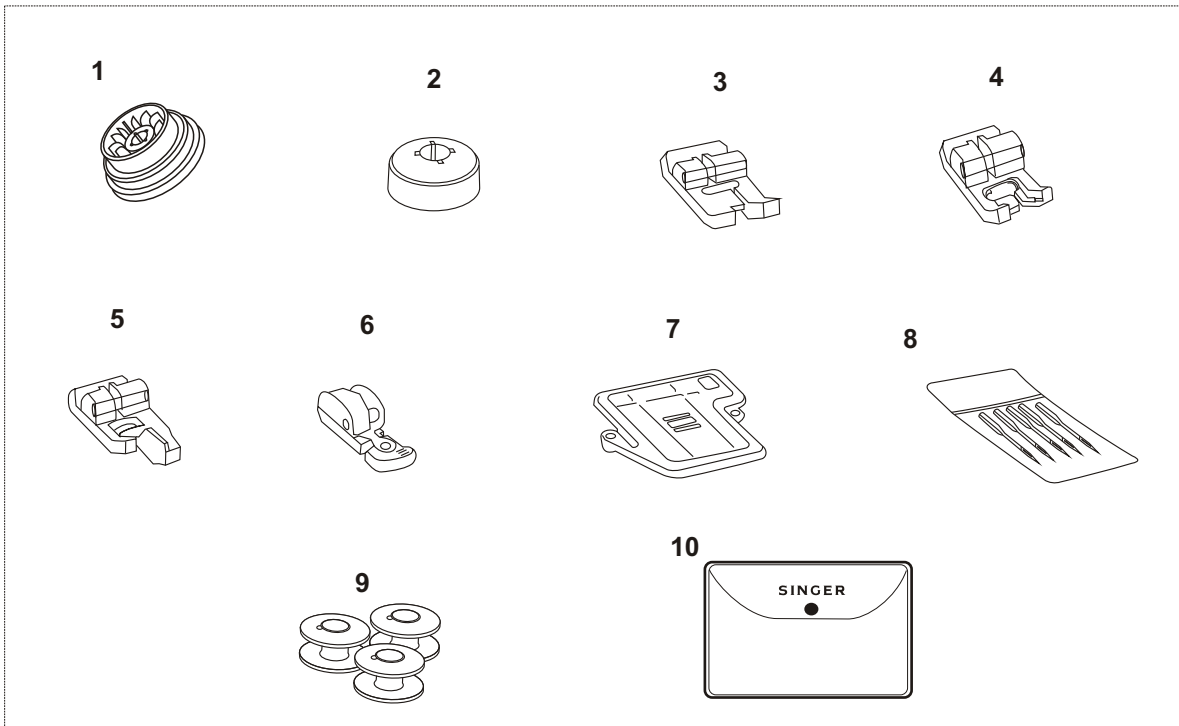
03/05/12

REV. 09- Revised page 51

30/07/13

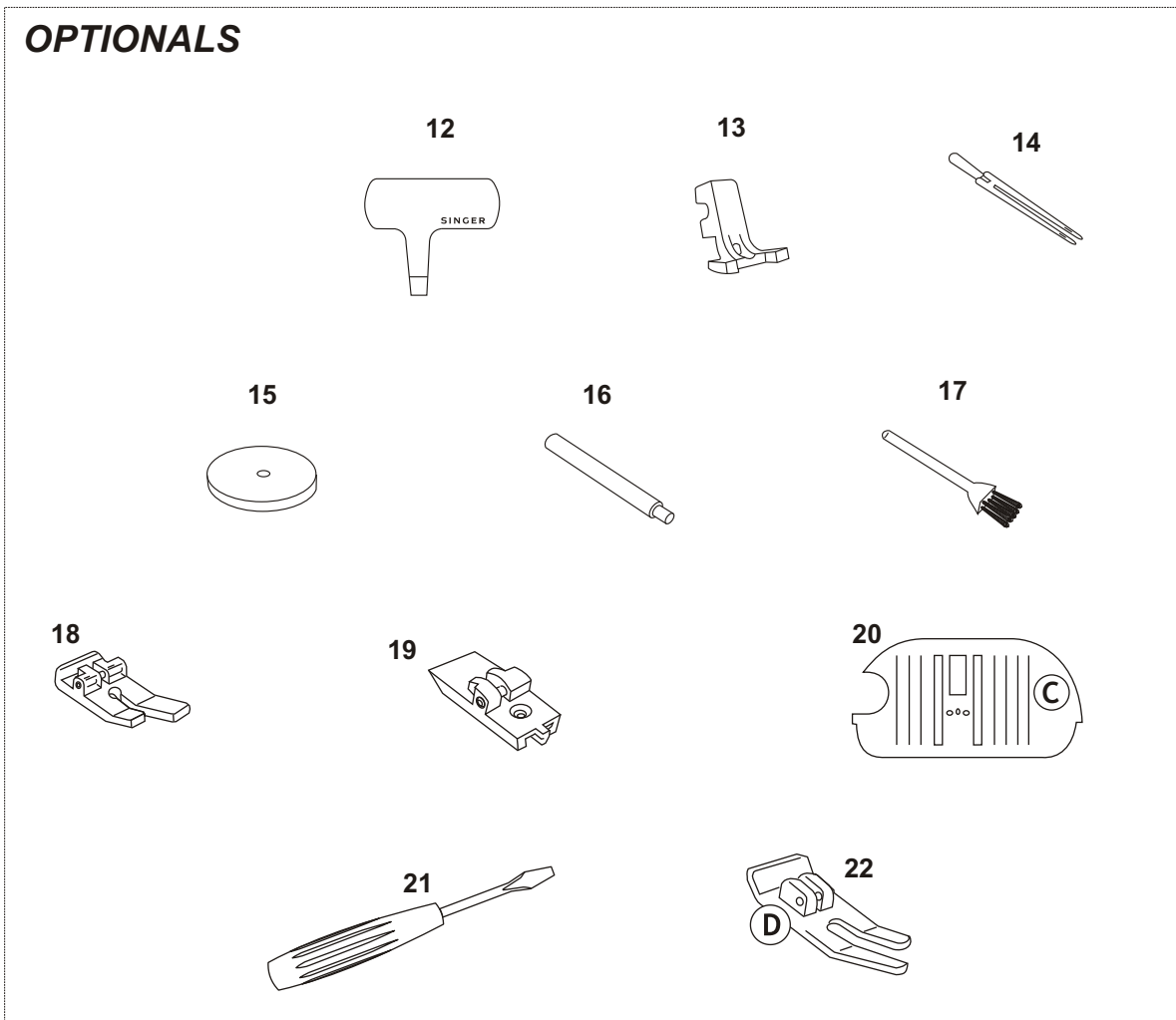
PARTS DESCRIPTION	PAGE
ATTACHMENT SET AND OPTIONAL ATTACHMENTS	02 & 03
ARM, BED, THROAT PLATE AND BED SLIDE	04 & 05
COVERS	06 to 11
THREAD TAKE-UP & NEEDLE BAR	12 to 15
NEEDLE BAR & AUTOMATIC NEEDLE THREADER	16 to 19
PRESSER BAR	20 & 21
ARM SHAFT DRIVER	22 & 23
HAND WHEEL	24 & 25
TENSION MECHANISM	26 & 27
HOOK SYSTEM	28 & 29
BIGHT AMPLITUDE	30 & 31
NEEDLE POSITION	32 & 33
PATTERN SELECTOR	34 & 35
DISC SELECTOR & NEEDLE POSITION	36 & 37
CAM STACK	38 & 39
FEED REGULATOR CAM	40 & 41
BUTTONHOLER	42 & 43
CAM CONTROLLED FEED	44 & 45
FEED SYSTEM	46 to 49
ELECTRICAL EQUIPMENT	50 & 51
OPTIONALS	52 & 53

ATTACHMENT SET AND OPTIONAL ATTACHMENTS



11

OPTIONALS

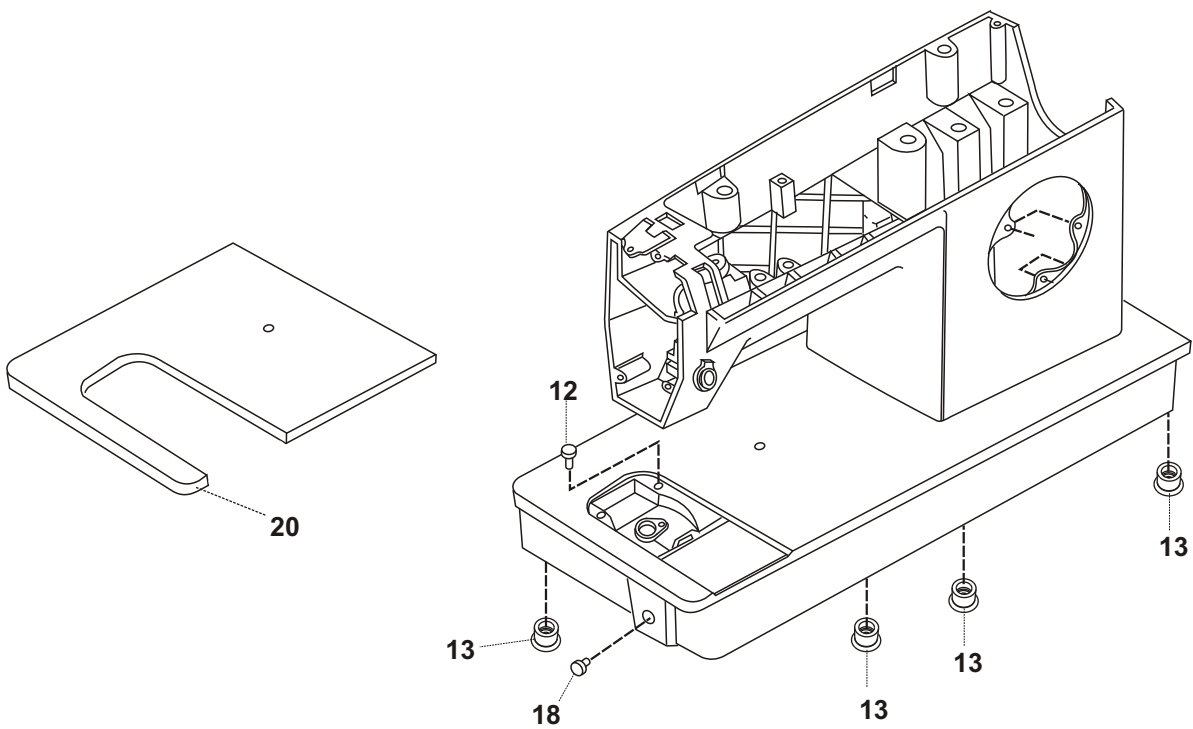
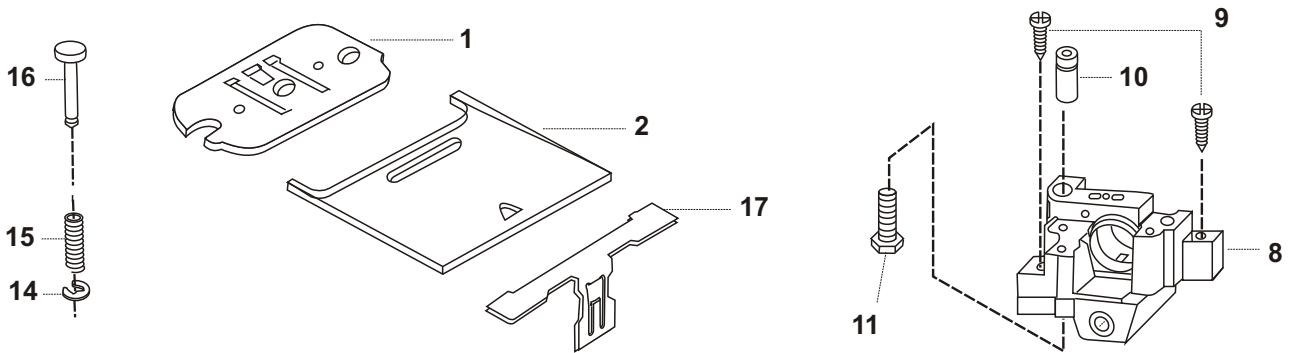
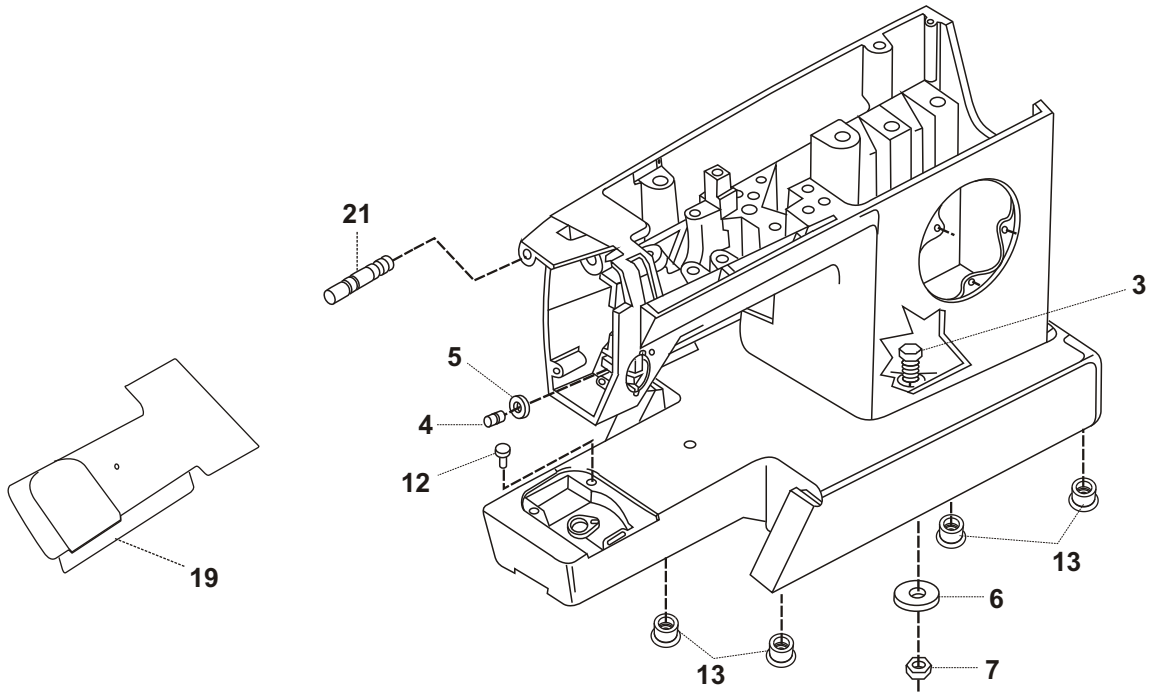


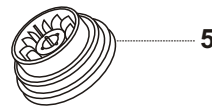
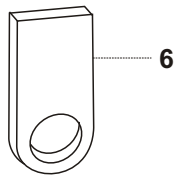
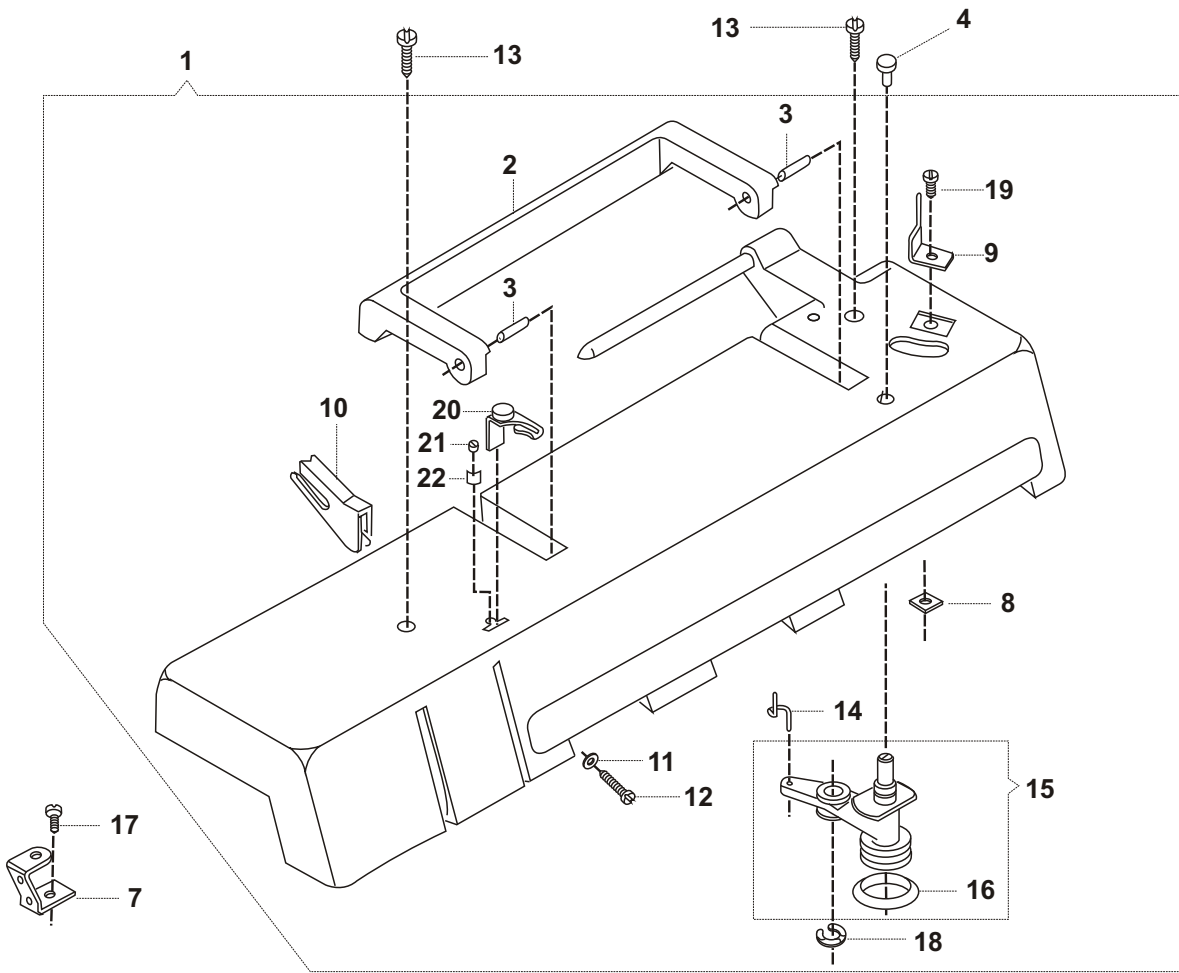
ATTACHMENT SET

REF.	PARTS NUMBER	DESCRIPTION	HD 102	HD 105	HD 110	HD 205	HD 210	CG-500	CG-550	HD 118	CG-590
01	179967-463	Spool pin thread lead off	•	•	•	•	•			•	
01	179967-464	Spool pin thread lead off						•	•		•
02	507664-469	Spool pin thread lead off (small)	•	•	•	•	•			•	
02	507664-470	Spool pin thread lead off (small)						•	•		•
03	446492-000	Presser foot for embroidering (J)		•	•	•	•	•	•	•	•
04	161927-000	Buttonhole presser foot (L)		•	•	•	•	•	•	•	•
05	356630-000BUY	Blind hem presser foot		•	•	•	•	•	•	•	•
06	507836-000BUY	Zipper presser foot		•	•	•	•	•	•	•	•
07	313117-000BUY	Feed cover	•	•	•	•	•	•	•		
08	353364-000	Needle pack	•	•	•	•	•	•	•	•	•
09	172336-000BUY	Bobbins (3 unities)	•	•	•	•	•	•	•	•	•
10	358286-451	Acessories storage	•	•	•	•	•	•	•		
11	358393-001	Attachment set complete		•	•	•	•				
11	358386-001	Attachment set complete	•								
11	358393-006	Attachment set complete						•	•		
11	358394-003	Attachment set complete									•
11	358394-001	Attachment set complete								•	
12	357306-000	Screwdriver (Optional)	0	0	0	0	0	0	0	0	0
13	179911-000BUY	Presser foot for button sewing (H) (Optional)	0	0	0	0	0	0	0	0	0
14	531868-000	Twin needle (Optional)	0	0	0	0	0	0	0	0	0
15	8879-656	Felt for spool pin (Optional)	0	0	0	0	0	0	0	0	0
16	356942-455	Spool pin (Optional)	0	0	0	0	0	0	0	0	0
17	546358-000	Lint brush (Optional)	0	0	0	0	0	0	0	0	0
18	358183-000	1/4 inch foot (Optional)	0	0	0	0	0	0	0	0	0
19	358174-000	Invisible zipper foot (Optional)	0	0	0	0	0	0	0	0	0
20	356714-000	Needle plate (Straight stitch) (Optional)	0	0	0	0	0	0	0	0	0
21	358182-001	Screw driver (Optional)	0	0	0	0	0	0	0	0	0
22	153267-000	Presser foot (Straight stitch) (Optional)	0	0	0	0	0	0	0	0	0
		0 = Optional									

When you need a part number with the suffix (XXX), please indicate the machine model where will be used.

ARM, BED, THROAT PLATE & BED SLIDE

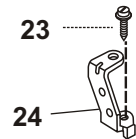
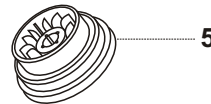
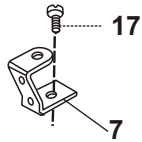
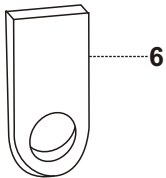
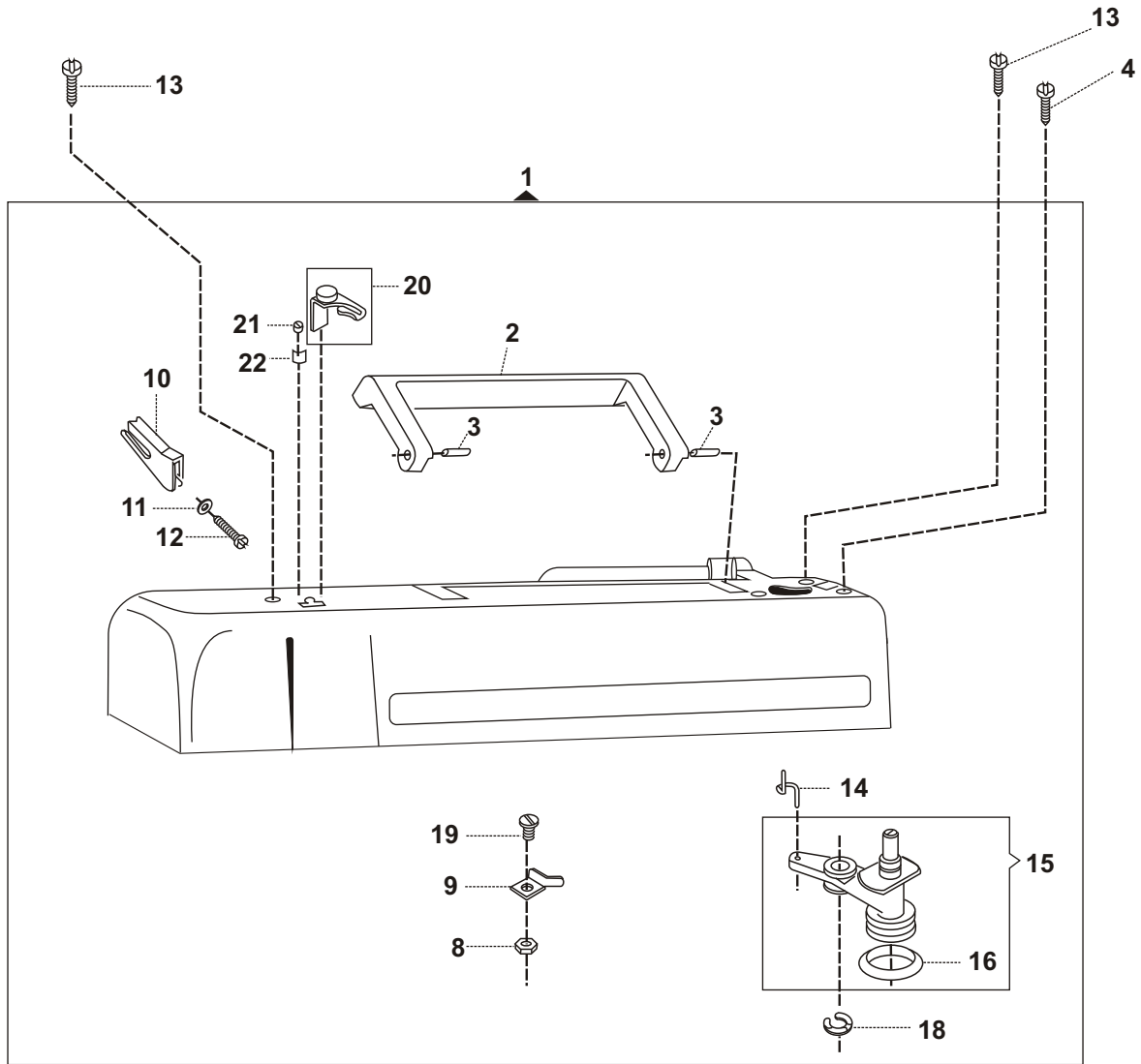




COVERS

REF.	PARTS NUMBER	DESCRIPTION	HD 102	HD 105	HD 110	HD 205	HD 210	CG-500	CG-550	HD 118	CG-590
01	358390-002	Arm top cover complete						•			
01	358391-002	Arm top cover complete							•		
01	358389-001	Arm top cover complete	•								
01	358390-001	Arm top cover complete		•		•					
01	358391-001	Arm top cover complete			•		•				
02	357329-902	Machine handle						•	•		
02	357329-901	Machine handle	•	•	•	•	•				
03	357325-900	Handle hinge pin	•	•	•	•	•	•	•		
04	353624-000BUY	Arm top cover hole plug	•	•	•	•	•	•	•		
05	179967-464	Arm top cover spool pin thread lead-off (Accessory)						•	•		
05	179967-463	Arm top cover spool pin thread lead-off (Accessory)	•	•	•	•	•				
06	356843-467	Arm top cover shrouder	•	•	•	•	•				
06	356843-469	Arm top cover shrouder						•	•		
07	531765-000	Arm top cover bracket (Left)	•	•	•	•	•	•	•		
08	53640-819	Bobbin winder stop screw nut	•	•	•	•	•	•	•		
09	445924-000	Bobbin winder stop	•	•	•	•	•	•	•		
10	357084-453	Arm top cover thread guide						•	•		
10	357084-452	Arm top cover thread guide	•	•	•	•	•				
11	446138-000	Thread guide screw washer	•	•	•	•	•	•	•		
12	356116-451	Thread guide screw	•	•	•	•	•	•	•		
13	354895-453	Arm top cover screw	•	•	•	•	•	•	•		
14	531766-000	Bobbin winder spring	•	•	•	•	•	•	•		
15	531767-458	Bobbin winder assembly						•	•		
15	531767-457	Bobbin winder assembly	•	•	•	•	•				
16	15287-201	Bobbin winder friction ring	•	•	•	•	•	•	•		
17	354826-451	Arm top cover bracket (Left) set screw	•	•	•	•	•	•	•		
18	445486-000	Retaining ring	•	•	•	•	•	•	•		
19	141920-455	Bobbin winder stop screw	•	•	•	•	•	•	•		
20	356047-000	Bobbin winder tensioner complete	•	•	•	•	•	•	•		
21	141936-833	Tension bracket adjusting screw	•	•	•	•	•	•	•		
22	44794-000	Tension bracket adjusting screw retaining clip	•	•	•	•	•	•	•		

When you need a part number with the suffix (XXX), please indicate the machine model where will be used.

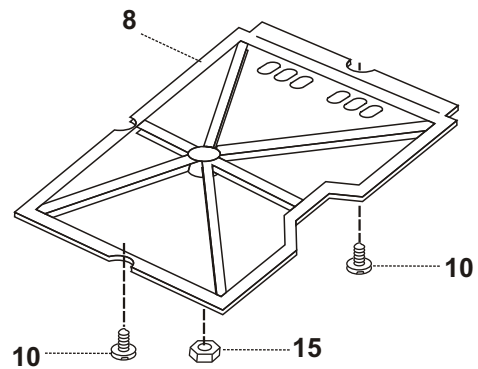
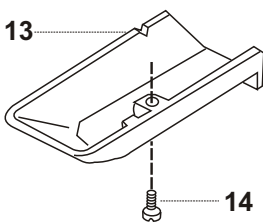
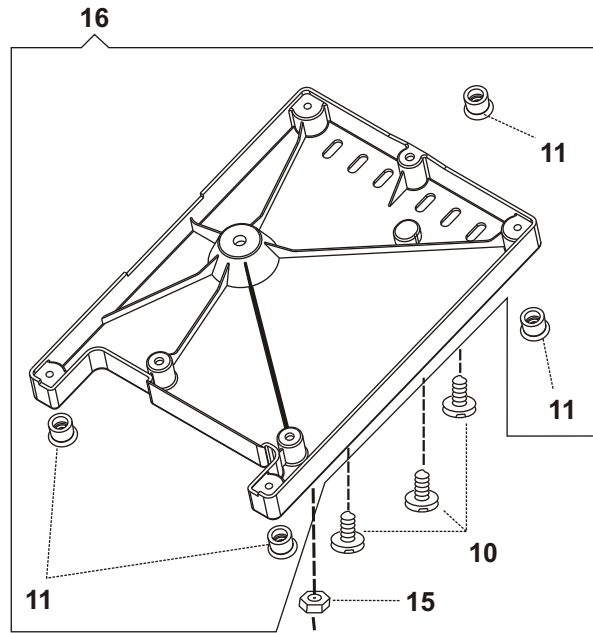
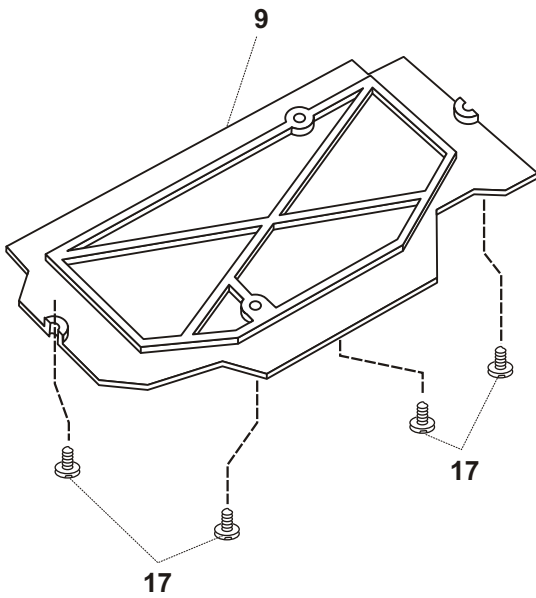
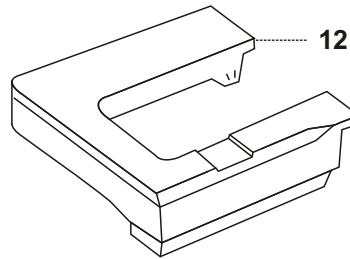
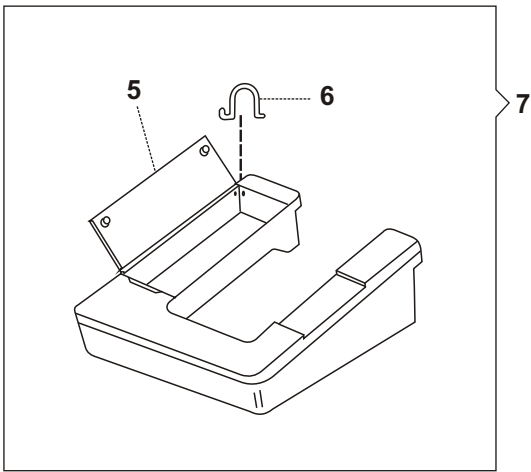
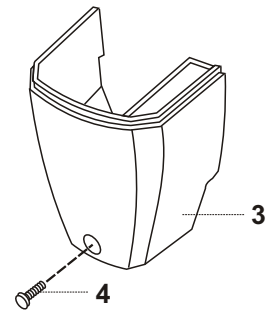
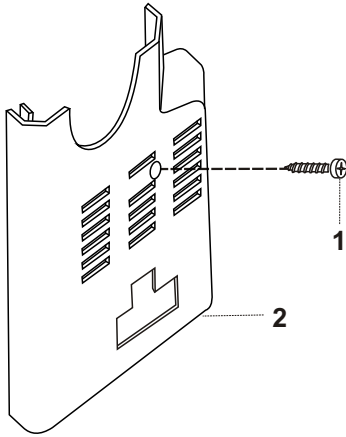


COVERS

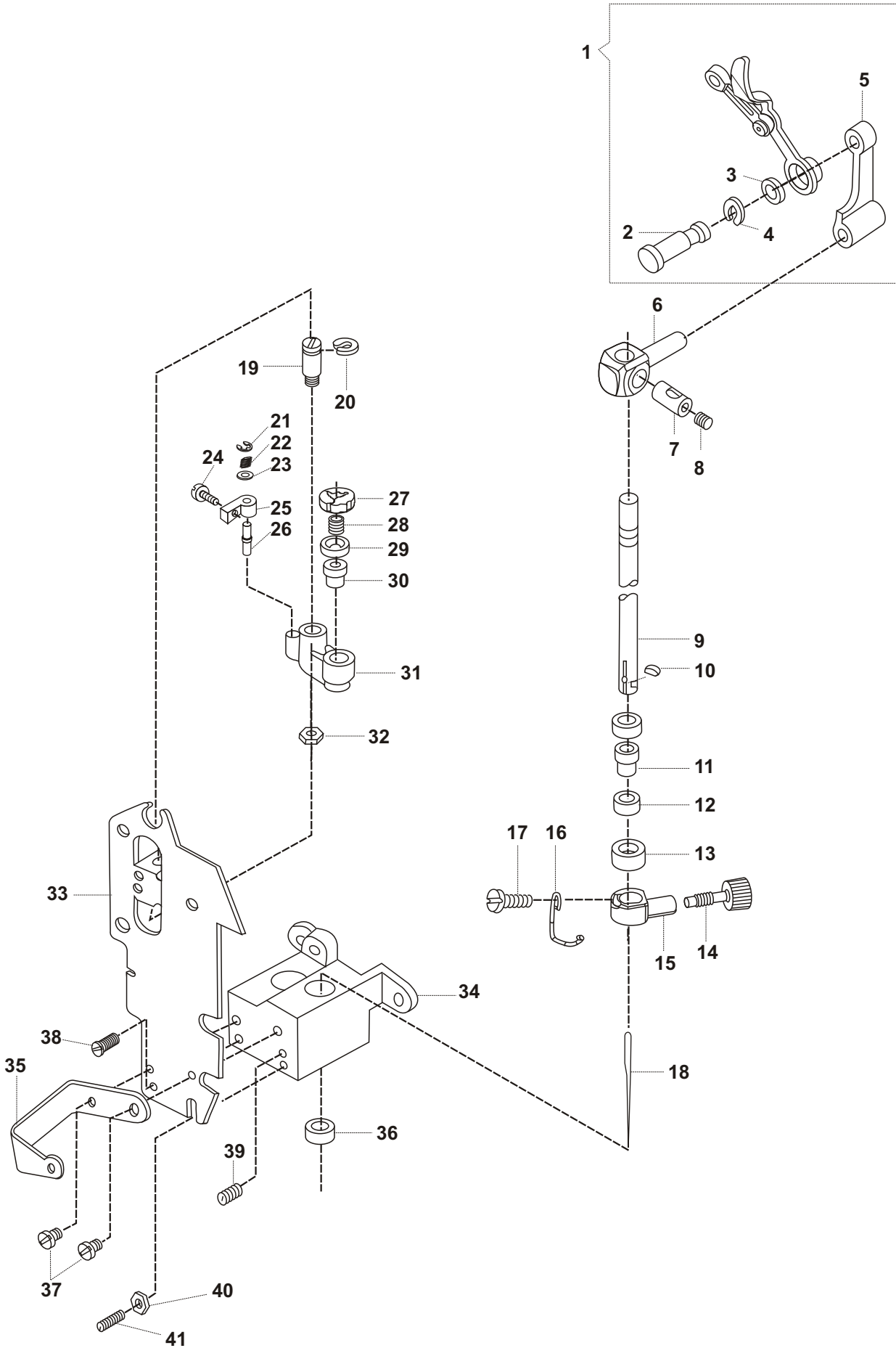
REF.	PARTS NUMBER	DESCRIPTION	HD 102	HD 105	HD 110	HD 205	HD 210	CG-500	CG-550	HD 118	CG-590
01	358392-001	Arm top cover complete								•	
01	358392-003	Arm top cover complete									•
02	357329-901	Machine handle								•	
02	357329-902	Machine handle									•
03	357325-900	Handle hinge pin								•	•
04	354975-451	Arm top cover screw (Right front)								•	•
05	179967-464	Arm top cover lid pin thread lead-off (Accessory)									•
05	179967-463	Arm top cover lid pin thread lead-off (Accessory)								•	
06	356843-467	Arm top cover shrouder								•	
06	356843-471	Arm top cover shrouder									•
07	531765-000	Arm top cover bracket (Left)								•	•
08	53640-819	Bobbin winder stop screw nut								•	•
09	445924-000	Bobbin winder stop								•	•
10	357084-452	Arm top cover thread guide								•	
10	357084-453	Arm top cover thread guide									•
11	446138-000	Thread guide screw washer								•	•
12	356116-451	Thread guide screw								•	•
13	354895-453	Arm top cover screw								•	•
14	531766-000	Bobbin winder spring								•	•
15	531767-457	Bobbin winder assembly								•	
15	531767-458	Bobbin winder assembly									•
16	15287-701	Bobbin winder friction ring (Rubber)								•	•
17	354826-451	Arm top cover bracket (Left) set screw								•	•
18	445486-000	Retaining ring								•	•
19	141920-455	Bobbin winder stop screw								•	•
20	356047-000	Bobbin winder tensioner complete								•	•
21	141936-833	Tension bracket adjusting screw								•	•
22	44794-000	Tension bracket adjusting screw retaining clip								•	•
23	113455-001	Arm top cover mounting bracket screw								•	•
24	353343-000	Arm top cover mounting bracket (Right, front)								•	•

When you need a part number with the suffix (XXX), please indicate the machine model where will be used.

COVERS



THREAD TAKE-UP MECHANISM & NEEDLE BAR

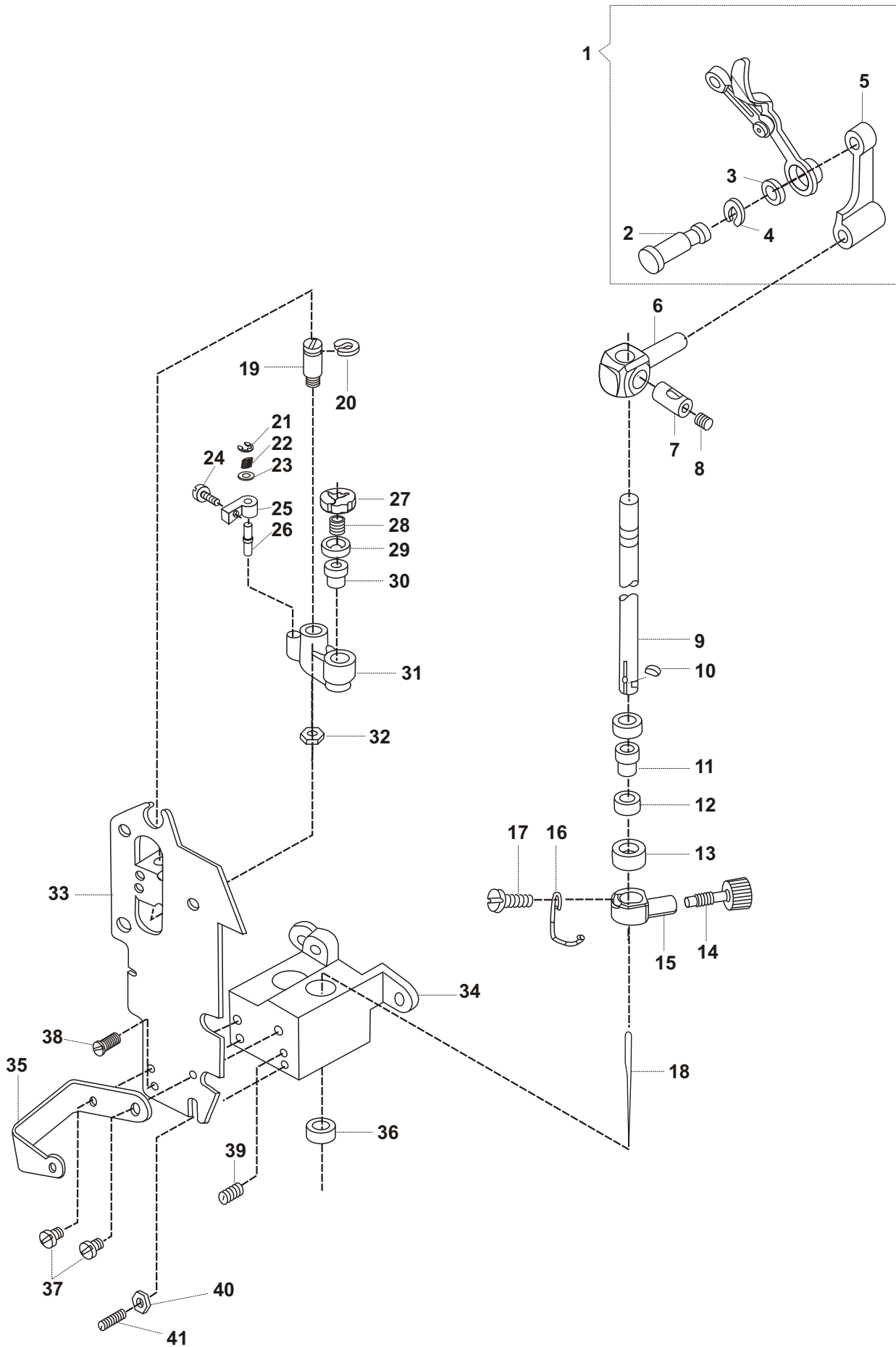


THREAD TAKE-UP MECHANISM & NEEDLE BAR

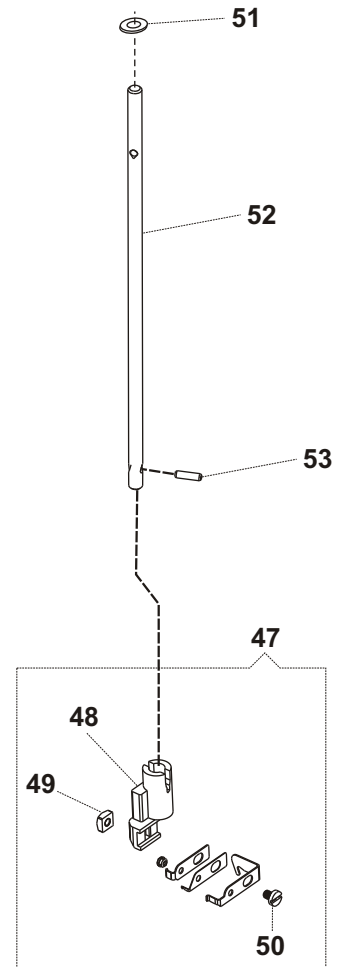
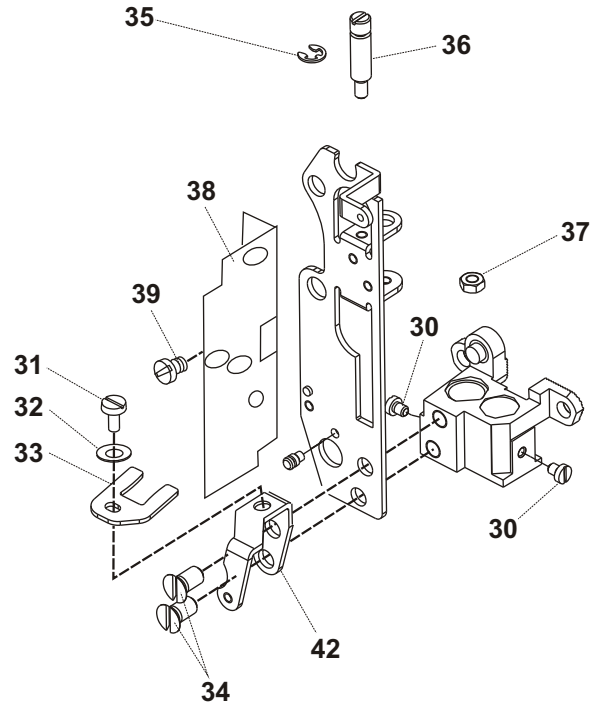
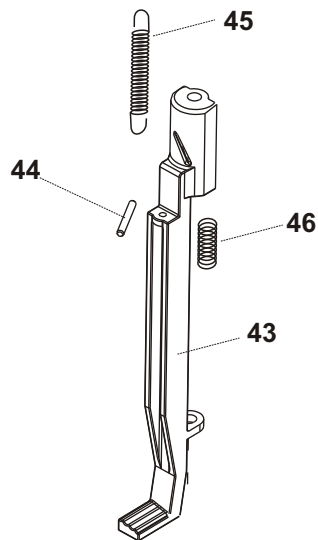
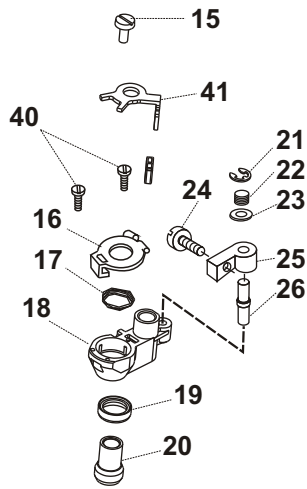
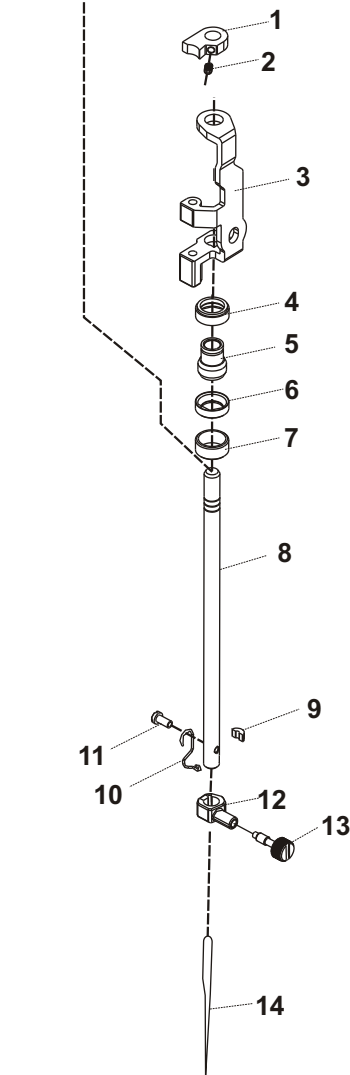
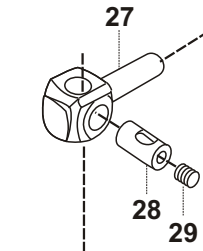
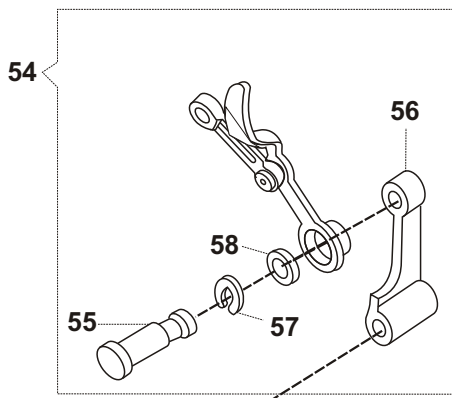
REF.	PARTS NUMBER	DESCRIPTION	HD 102	HD 105	HD 110	HD 205	HD 210	CG-500	CG-550	HD 118	CG-590
01	445672-940	Take-up lever complete	•	•	•	•	•	•	•		
02	358275-000	Thread take-up stud	•	•	•	•	•	•	•		
03	357431-000	Needle bar cranck	•	•	•	•	•	•	•		
04	445486-000	Retaining ring	•	•	•	•	•	•	•		
05	358251-900	Take-up stud washer	•	•	•	•	•	•	•		
06	353549-000	Needle bar connecting stud	•	•	•	•	•	•	•		
07	37931-000	Needle bar connecting stud hinge pin	•	•	•	•	•	•	•		
08	141916-833	Needle bar clamp screw	•	•	•	•	•	•	•		
09	445793-000	Needle bar	•	•	•	•	•	•	•		
10	37943-000	Needle bar gib	•	•	•	•	•	•	•		
11	446355-001	Needle bar ball bushing (Lower)	•	•	•	•	•	•	•		
12	507379-000BUY	Needle bar ball bushing (Lower) socket	•	•	•	•	•	•	•		
13	446361-001	Needle bar ball bushing (Lower) adjusting collar	•	•	•	•	•	•	•		
14	355248-451	Needle thumb screw	•	•	•	•	•	•	•		
15	357429-001	Needle clamp body	•	•	•	•	•	•	•		
16	357421-001	Needle clamp thread guide	•	•	•	•	•	•	•		
17	141920-455	Needle clamp body screw	•	•	•	•	•	•	•		
18	204514-100	Needle cat. 2045 size 14	•	•	•	•	•	•	•		
19	446359-000	Needle bar vibrating bracket hinge pin	•	•	•	•	•	•	•		
20	445721-000	Needle bar vibrating bracket hinge pin retaining ring	•	•	•	•	•	•	•		
21	179926-000	Needle bar driving arm hinge bkt. hinge pin ret. ring	•	•	•	•	•	•	•		
22	357504-000	Needle bar driving arm hinge bkt. hinge pin spring	•	•	•	•	•	•	•		
23	446138-000	Needle b. driv. arm hinge bkt. hinge pin spr. washer	•	•	•	•	•	•	•		
24	354826-451	Needle bar driving arm hinge bracket screw	•	•	•	•	•	•	•		
25	357503-000	Needle bar driving arm hinge bracket	•	•	•	•	•	•	•		
26	357502-000	Needle bar driving arm hinge bracket hinge pin	•	•	•	•	•	•	•		
27	353522-001BUY	Needle bar ball bushing (Upper) retaining ring	•	•	•	•	•	•	•		
28	357616-000	Needle bar ball bushing (Upper) socket spring	•	•	•	•	•	•	•		
29	357615-000BUY	Needle bar ball bushing (Upper) socket	•	•	•	•	•	•	•		
30	446355-001	Needle bar ball bushing (Upper)	•	•	•	•	•	•	•		
31	353521-000	Needle bar vibrating bracket	•	•	•	•	•	•	•		
32	357093-451	Needle bar vibrating bracket hinge pin nut	•	•	•	•	•	•	•		

When you need a part number with the suffix (XXX), please indicate the machine model where will be used.

THREAD TAKE-UP MECHANISM & NEEDLE BAR



NEEDLE BAR & AUTOMATIC NEEDLE THREADER

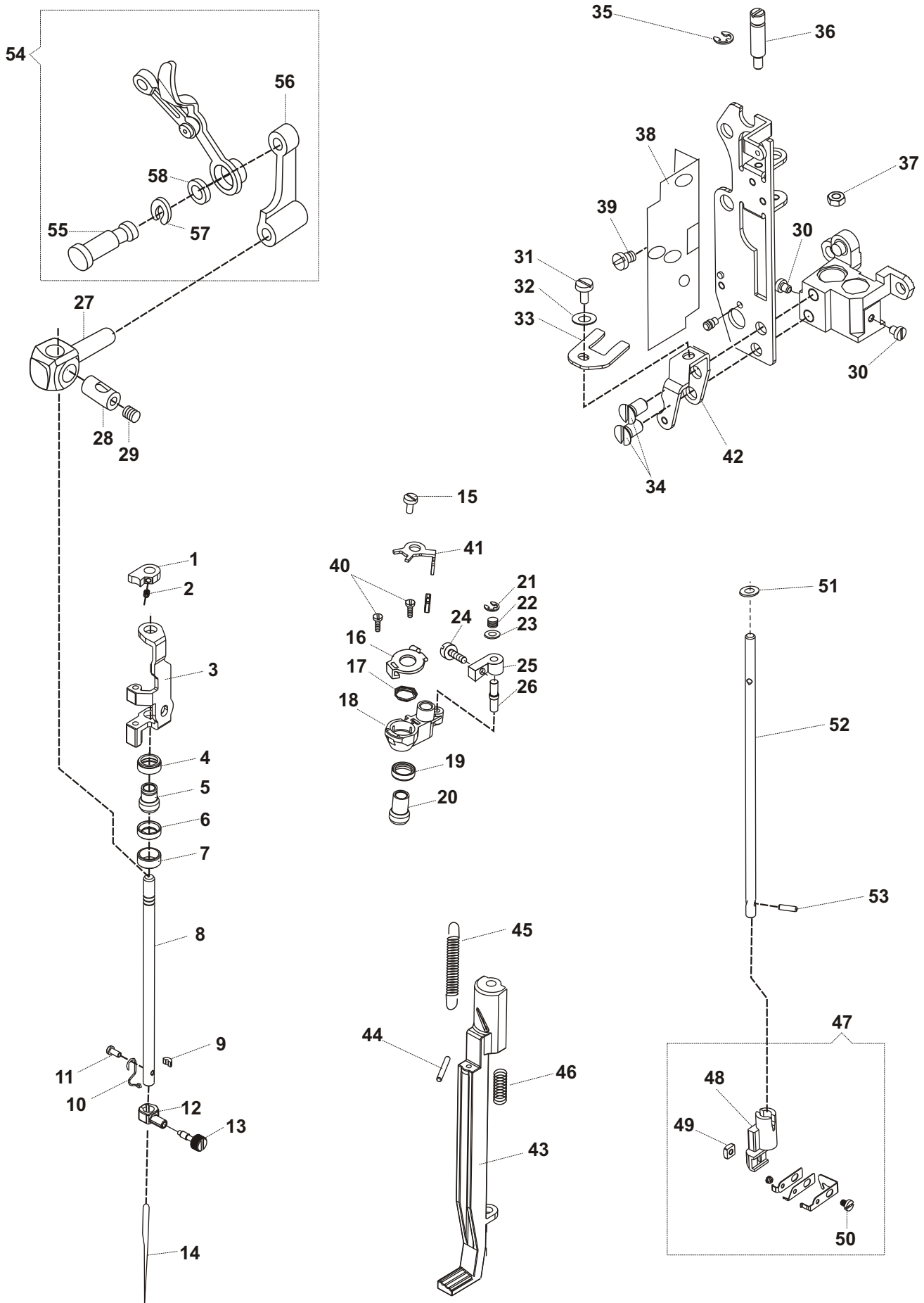


NEEDLE BAR & AUTOMATIC NEEDLE THREADER

REF.	PARTS NUMBER	DESCRIPTION	HD 102	HD 105	HD 110	HD 205	HD 210	CG-500	CG-550	HD 118	CG-590
01	357895-900	Needle threader stop	0	0	0	0	0	0	0	•	•
02	357921-900	Needle threader stop screw	0	0	0	0	0	0	0	•	•
03	357870-900	Needle threader mechanism support	0	0	0	0	0	0	0	•	•
04	357898-901	Needle bar ball bushing (lower) socket	0	0	0	0	0	0	0	•	•
05	357899-901	Lower ball bushing	0	0	0	0	0	0	0	•	•
06	357981-900	Lower ball bushing collar	0	0	0	0	0	0	0	•	•
07	446361-001	Adjusting collar	0	0	0	0	0	0	0	•	•
08	357866-900	Needle bar	0	0	0	0	0	0	0	•	•
09	37943-000	Needle bar gib	0	0	0	0	0	0	0	•	•
10	357421-001	Thread guide	0	0	0	0	0	0	0	•	•
11	141920-455	Thread guide screw	0	0	0	0	0	0	0	•	•
12	357429-001	Needle clamp body	0	0	0	0	0	0	0	•	•
13	355248-451	Needle clamp body screw	0	0	0	0	0	0	0	•	•
14	204514-100	Needle # 2045 - NBR14	0	0	0	0	0	0	0	•	•
15	141844-451	Needle bar stopper screw	0	0	0	0	0	0	0	•	•
16	357871-900	Vibrating bracket cover	0	0	0	0	0	0	0	•	•
17	357911-900	Vibrating bracket cover spring	0	0	0	0	0	0	0	•	•
18	353521-000	Vibrating bracket	0	0	0	0	0	0	0	•	•
19	357615-000BUY	Upper ball bushing retainer	0	0	0	0	0	0	0	•	•
20	357897-900	Upper ball bushing	0	0	0	0	0	0	0	•	•
21	179926-000	Retaining ring	0	0	0	0	0	0	0	•	•
22	357504-000	Needle bar driving arm hinge bracket spring	0	0	0	0	0	0	0	•	•
23	446138-000	Support washer	0	0	0	0	0	0	0	•	•
24	354826-451	Support screw	0	0	0	0	0	0	0	•	•
25	357503-000	Needle bar driving arm hinge bracket	0	0	0	0	0	0	0	•	•
26	357502-000	Support pin	0	0	0	0	0	0	0	•	•
27	353549-000	Needle bar connecting stud	0	0	0	0	0	0	0	•	•
28	37931-000	Hinge pin	0	0	0	0	0	0	0	•	•
29	141916-833	Needle bar clamping screw	0	0	0	0	0	0	0	•	•
30	354592-451	Lower bushing collar screw	0	0	0	0	0	0	0	•	•
31	354592-451	Support guide plate screw	0	0	0	0	0	0	0	•	•
		0 = Optional									

When you need a part number with the suffix (XXX), please indicate the machine model where will be used.

NEEDLE BAR & AUTOMATIC NEEDLE THREADER

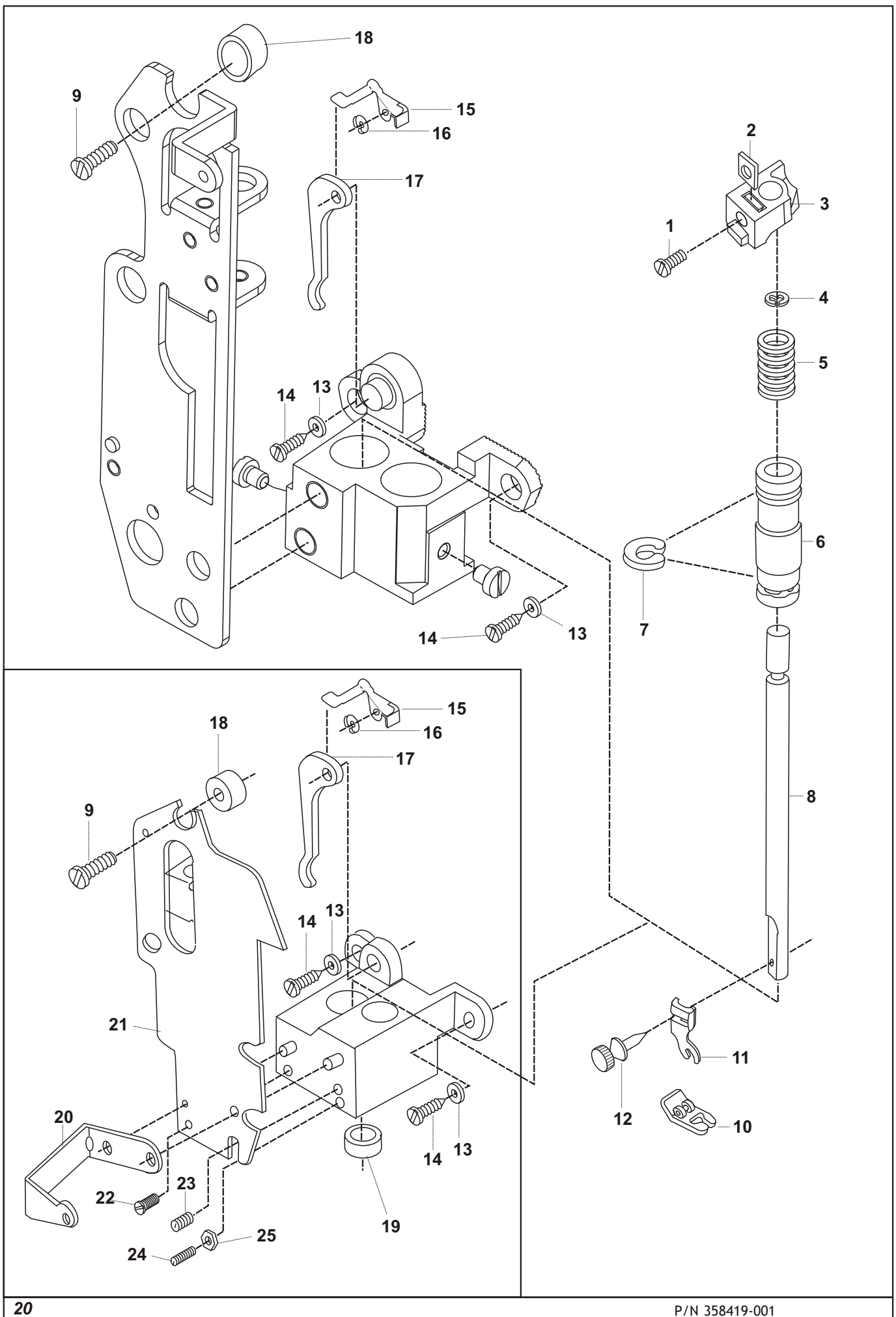


NEEDLE BAR & AUTOMATIC NEEDLE THREADER

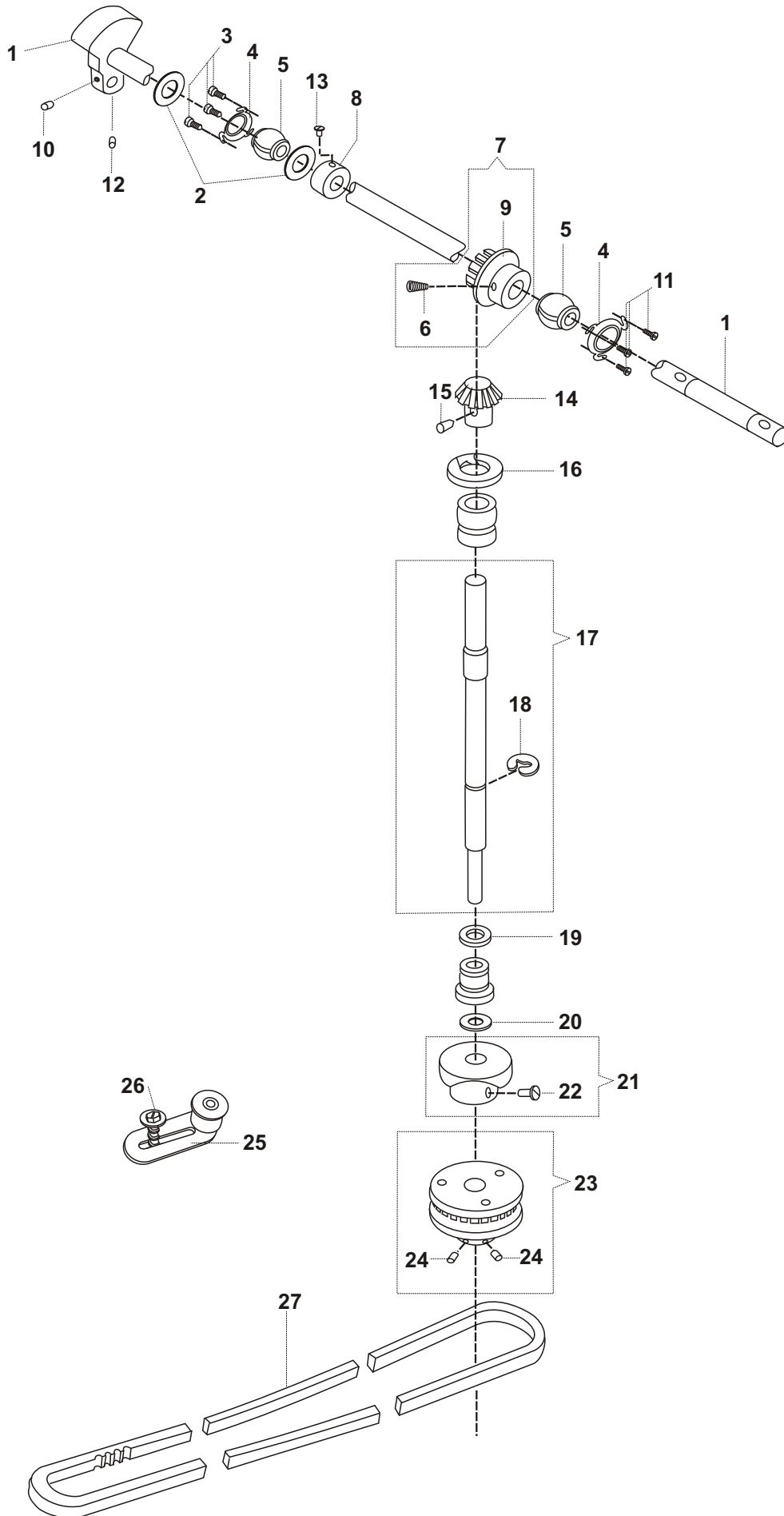
REF.	PARTS NUMBER	DESCRIPTION	HD 102	HD 105	HD 110	HD 205	HD 210	CG-500	CG-550	HD 118	CG-590
32	358162-900	Washer	0	0	0	0	0	0	0	•	•
33	358091-900	Needle threader support guide plate	0	0	0	0	0	0	0	•	•
34	113480-451	Mounting screw	0	0	0	0	0	0	0	•	•
35	445721-000	Retaining ring	0	0	0	0	0	0	0	•	•
36	446359-000	Needle bar vibrating bracket pin	0	0	0	0	0	0	0	•	•
37	357093-451	Nut	0	0	0	0	0	0	0	•	•
38	358151-900	Deflecting plate	0	0	0	0	0	0	0	•	
38	358151-451	Deflecting plate (UL/CSA)	0	0	0	0	0	0	0	0	•
39	354592-451	Deflecting plate screw	0	0	0	0	0	0	0	•	•
40	357925-900	Vibrating bracket cover screw	0	0	0	0	0	0	0	•	•
41	357881-900	Needle bar stopper	0	0	0	0	0	0	0	•	•
42	357880-900	Face plate support	0	0	0	0	0	0	0	•	•
43	357872-002	Needle threader adjusting support	0	0	0	0	0			•	
43	357872-004	Needle threader adjusting support						0	0		•
44	357869-900	Needle threader adjusting support pin	0	0	0	0	0	0	0	•	•
45	357913-900	Needle threader adjusting support spring	0	0	0	0	0	0	0	•	•
46	357912-900	Needle threader adjusting support cam spring	0	0	0	0	0	0	0	•	•
47	358071-001	Needle threader assembly support complete	0	0	0	0	0			•	
47	358071-002	Needle threader assembly support complete						0	0		•
48	357873-901	Needle threader assembly support	0	0	0	0	0			•	
48	357873-902	Needle threader assembly support						0	0		•
49	357923-900	Set screw nut	0	0	0	0	0	0	0	•	•
50	357922-900	Needle threader set screw	0	0	0	0	0	0	0	•	•
51	357920-900	Rubber ring	0	0	0	0	0	0	0	•	•
52	357865-900	Needle threader shaft	0	0	0	0	0	0	0	•	•
53	357868-900	Needle threader shaft pin (Lower)	0	0	0	0	0	0	0	•	•
54	445672-940	Thread take-up complete	0	0	0	0	0	0	0	•	•
55	358275-000	Thread take-up stud	0	0	0	0	0	0	0	•	•
56	357431-000	Needle bar crank	0	0	0	0	0	0	0	•	•
57	445486-000	Retaining ring	0	0	0	0	0	0	0	•	•
58	358251-900	Thread take-up washer	0	0	0	0	0	0	0	•	•
		0 = Optional									

When you need a part number with the suffix (XXX), please indicate the machine model where will be used.

PRESSER BAR



ARM SHAFT DRIVER

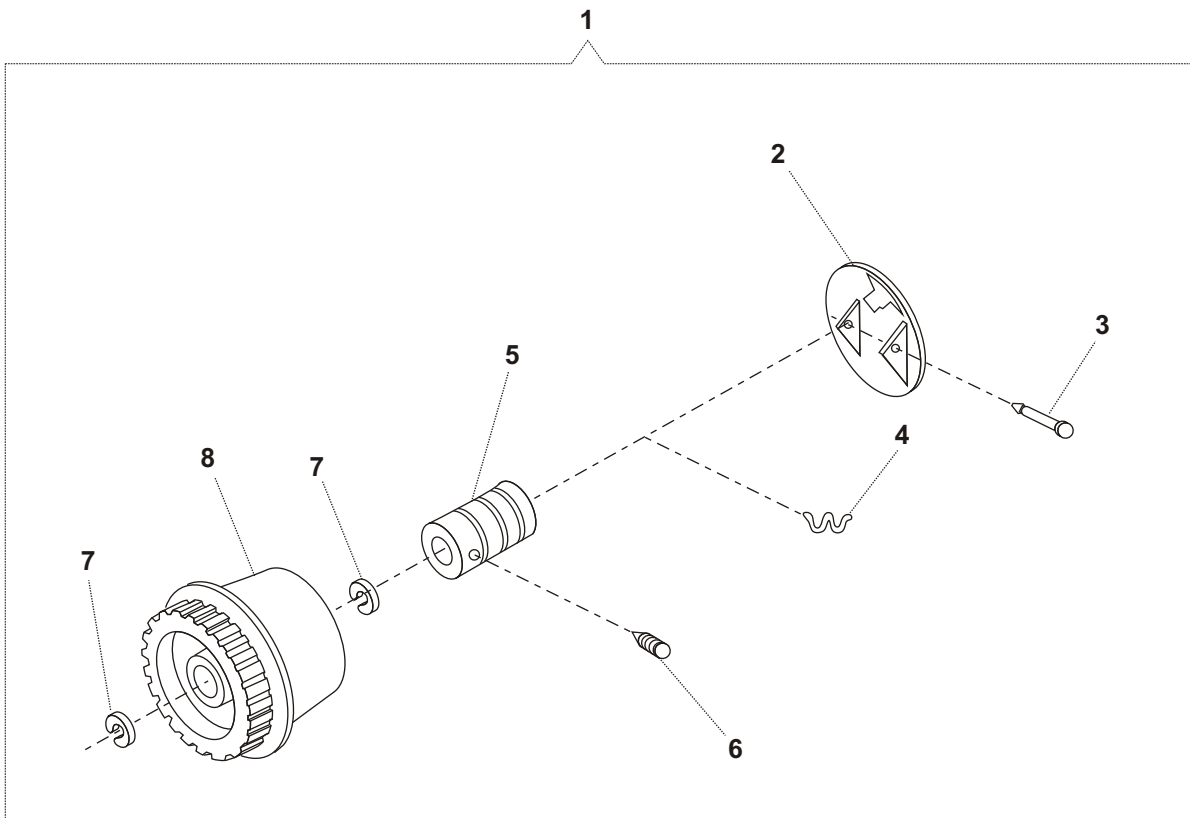


ARM SHAFT DRIVER

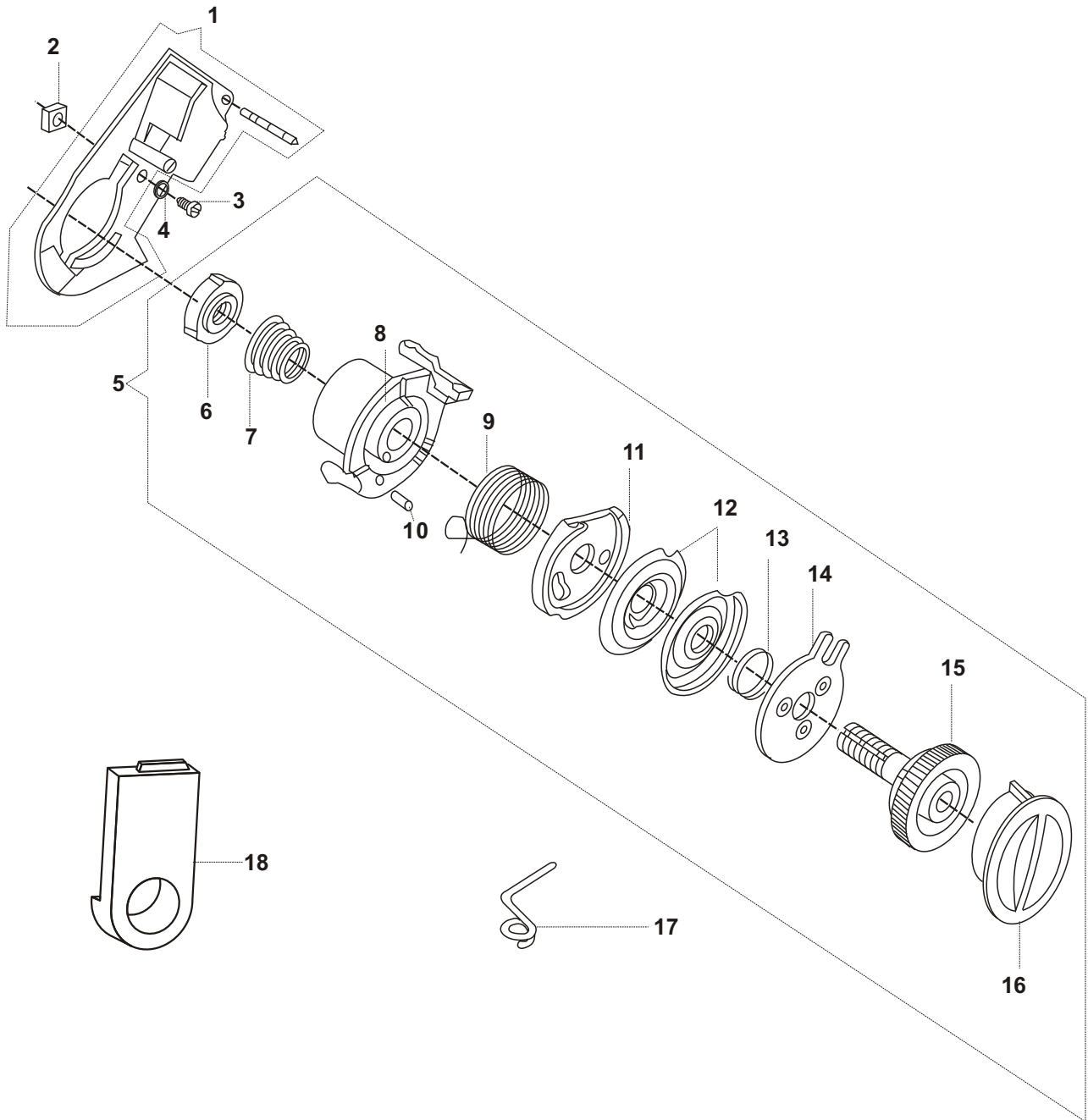
REF.	PARTS NUMBER	DESCRIPTION	HD 102	HD 105	HD 110	HD 205	HD 210	CG-500	CG-550	HD 118	CG-590
01	531684-000BUY	Arm shaft assembly	•	•	•	•	•	•	•	•	•
02	319764-000BUY	Flat washer	•	•	•	•	•	•	•	•	•
03	113455-001	Screw 4,2 x 15	•	•	•	•	•	•	•	•	•
04	446385-000	Bushing bracket	•	•	•	•	•	•	•	•	•
05	446384-000	Ball bushing	•	•	•	•	•	•	•	•	•
06	354813-451	Bevel gear & feed lifting eccentric set screw	•	•	•	•	•	•	•	•	•
07	353272-000	Bevel gear & feed lifting eccentric	•	•	•	•	•	•	•	•	•
08	353552-901	Collar	•	•	•	•	•	•	•	•	•
09	353413-000BUY	Bevel gear & feed lifting eccentric washer	•	•	•	•	•	•	•	•	•
10	354105-833	Needle bar crank position set screw	•	•	•	•	•	•	•	•	•
11	358499-451	Bushing retaining bracket screw	•	•	•	•	•	•	•	•	•
12	141916-833	Needle crank stud mounting screw	•	•	•	•	•	•	•	•	•
13	113500-451	Arm shaft (Horizontal) retaining collar screw	•	•	•	•	•	•	•	•	•
14	446223-902	Vertical spiral gear	•	•	•	•	•	•	•	•	•
15	354105-833	Vertical spiral gear screw	•	•	•	•	•	•	•	•	•
16	356819-000	Felt washer	•	•	•	•	•	•	•	•	•
17	179952-002BUY	Vertical shaft with ring	•	•	•	•	•	•	•	•	•
18	353215-000	Retaining ring	•	•	•	•	•	•	•	•	•
19	353394-000BUY	Flat washer	•	•	•	•	•	•	•	•	•
20	319826-000BUY	Flat washer	•	•	•	•	•	•	•	•	•
21	446228-000	Feed lifter cam assembly	•	•	•	•	•	•	•	•	•
22	544118-000	Feed lifter cam screw	•	•	•	•	•	•	•	•	•
23	353438-001	Vertical shaft pulley complete	•	•	•	•	•	•	•	•	•
24	354906-451	Pulley screw	•	•	•	•	•	•	•	•	•
25	358224-001	Drive belt tension adjuster	•	•	•	•	•	•	•	•	•
26	358287-451	Tension adjusting screw	•	•	•	•	•	•	•	•	•
27	446237-000	Hook driving belt	•	•	•	•	•	•	•	•	•

When you need a part number with the suffix (XXX), please indicate the machine model where will be used.

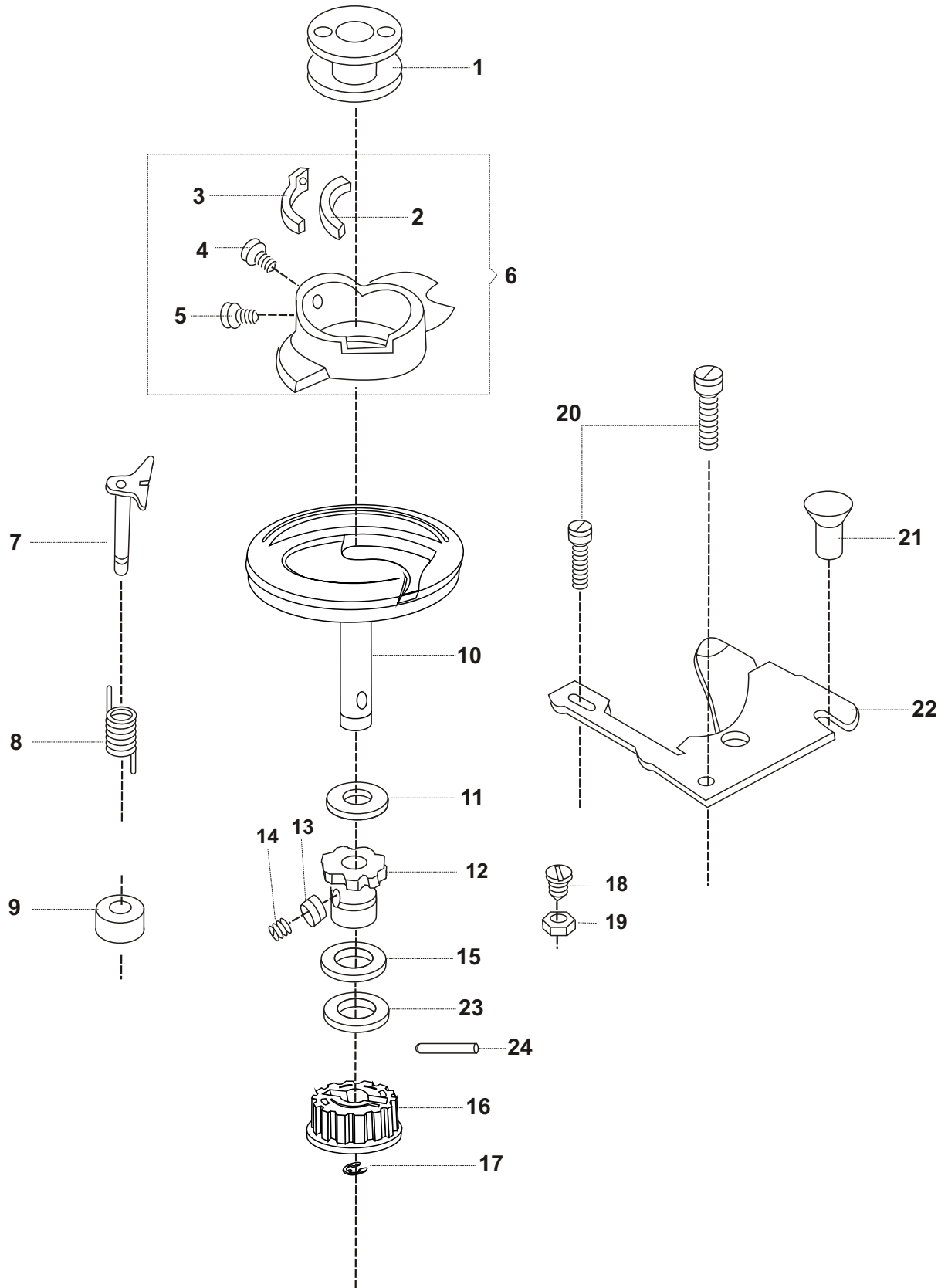
HAND WHEEL



TENSION MECHANISM



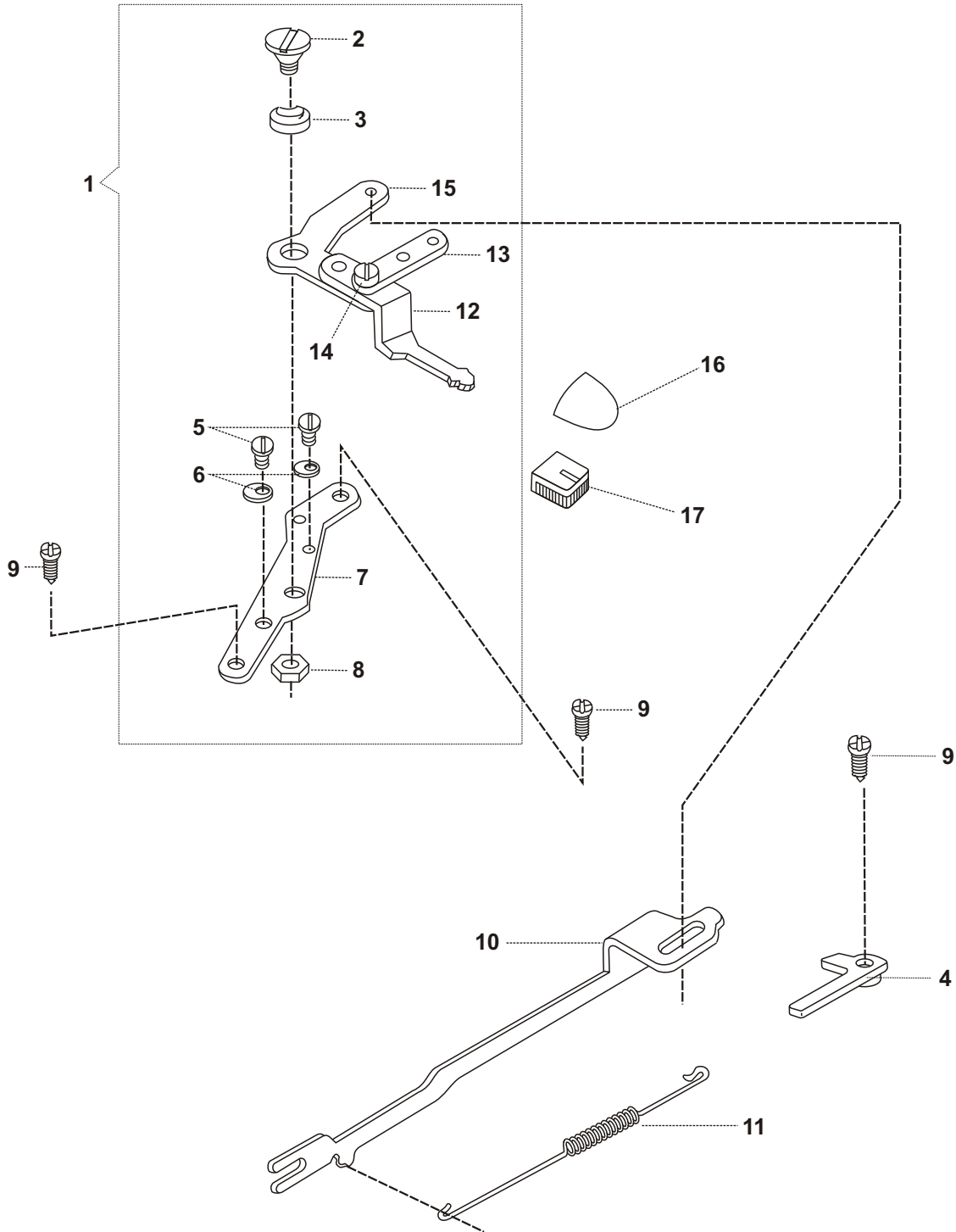
HOOK SYSTEM



HOOK SYSTEM

REF.	PARTS NUMBER	DESCRIPTION	HD 102	HD 105	HD 110	HD 205	HD 210	CG-500	CG-550	HD 118	CG-590
01	172336-001BUY	Bobbin	•	•	•	•	•	•	•	•	•
02	356490-451	Bobbin case tension spring segment	•	•	•	•	•	•	•	•	•
03	314715-000	Bobbin case tension spring	•	•	•	•	•	•	•	•	•
04	355254-451	Regulating screw	•	•	•	•	•	•	•	•	•
05	139975-452	Tension spring segment screw	•	•	•	•	•	•	•	•	•
06	421325-000	Bobbin case complete	•	•	•	•	•	•	•	•	•
07	358021-000	Bobbin case retaining	•	•	•	•	•	•	•	•	•
08	358018-900	Retaining spring	•	•	•	•	•	•	•	•	•
09	358019-900	Retaining plate retaining ring	•	•	•	•	•	•	•	•	•
10	359761-900	Hook	•	•	•	•	•	•	•	•	•
11	353453-000	Pulley washer	•	•	•	•	•	•	•	•	•
12	353410-900	Rotating hook bushing	•	•	•	•	•	•	•	•	•
13	353367-451	Set screw nut	•	•	•	•	•	•	•	•	•
14	141938-833	Set screw	•	•	•	•	•	•	•	•	•
15	382861-906	Pulley washer	•	•	•	•	•	•	•	•	•
16	359762-900	Hook pulley	•	•	•	•	•	•	•	•	•
17	359763-451	Ring of retention of the pulley	•	•	•	•	•	•	•	•	•
18	141844-451	Rotating hook bushing adjusting screw	•	•	•	•	•	•	•	•	•
19	618638-005	Screw nut	•	•	•	•	•	•	•	•	•
20	354917-451	Position plate screw	•	•	•	•	•	•	•	•	•
21	357349-451	Position plate stud	•	•	•	•	•	•	•	•	•
22	44873-001	Position plate	•	•	•	•	•	•	•	•	•
23	359764-451	Rotating hook spring washer	•	•	•	•	•	•	•	•	•
24	359769-900	Pin	•	•	•	•	•	•	•	•	•

When you need a part number with the suffix (XXX), please indicate the machine model where will be used.

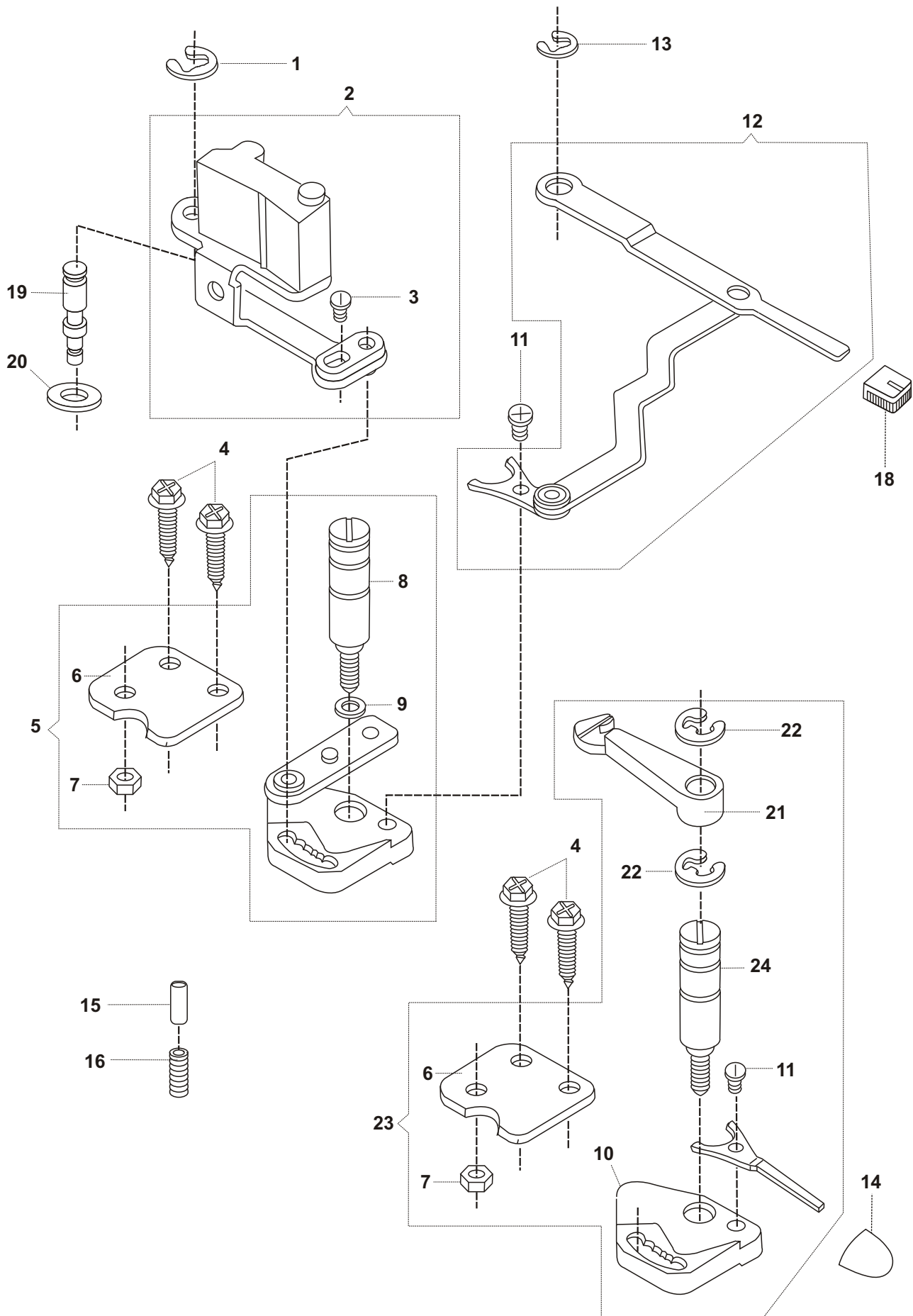


BIGHT AMPLITUDE

REF.	PARTS NUMBER	DESCRIPTION	HD 102	HD 105	HD 110	HD 205	HD 210	CG-500	CG-550	HD 118	CG-590
01	356057-000	Bight amplitude control lever complete	●								
01	356113-000	Bight amplitude control lever complete		●	●	●	●	●	●		
01	179893-000	Bight amplitude control lever complete								●	●
02	354825-451	Bight amplitude control lever screw	●	●	●	●	●	●	●	●	●
03	49204-000	Bight amplitude control lever washer	●	●	●	●	●	●	●	●	●
04	445780-000	Light cord clamp	●	●	●	●	●	●	●	●	●
05	141913-451	Lever link stop screw	●	●	●	●	●	●	●	●	●
06	446904-000	Lever link stop	●	●	●	●	●	●	●	●	●
07	531793-000	Lever link	●	●	●	●	●	●	●	●	●
08	54591-451	Nut	●	●	●	●	●	●	●	●	●
09	358499-451	Screw	●	●	●	●	●	●	●	●	●
10	37933-002	Needle bar driving arm	●	●	●	●	●	●	●	●	●
11	357976-900	N.b.d. arm tension spring (Models w/ auto n. threa.)		0	0	0	0	0	0	●	●
11	37942-000	Needle bar driving arm tension spring	●	●	●	●	●	●	●		
12	356061-000	Bight amplitude control lever	●	●	●	●	●	●	●		
12	446394-000	Bight amplitude control lever								●	●
13	44556-000	Bight amplitude control cam follower lever link (Left)		●	●	●	●	●	●	●	●
14	139866-451	Bight amplitude control lever screw		●	●	●	●	●	●	●	●
14	141913-451	Bight amplitude control lever screw	●								
15	37246-000	Bight amplitude control lever link	●	●	●	●	●	●	●	●	●
16	357699-905	Bight amplitude control lever knob						●	●		
16	357699-904	Bight amplitude control lever knob	●	●	●	●	●				
17	356961-457	Bight amplitude control lever knob								●	
17	356961-458	Bight amplitude control lever knob									●
		O = Optional									

When you need a part number with the suffix (XXX), please indicate the machine model where will be used.

NEEDLE POSITION

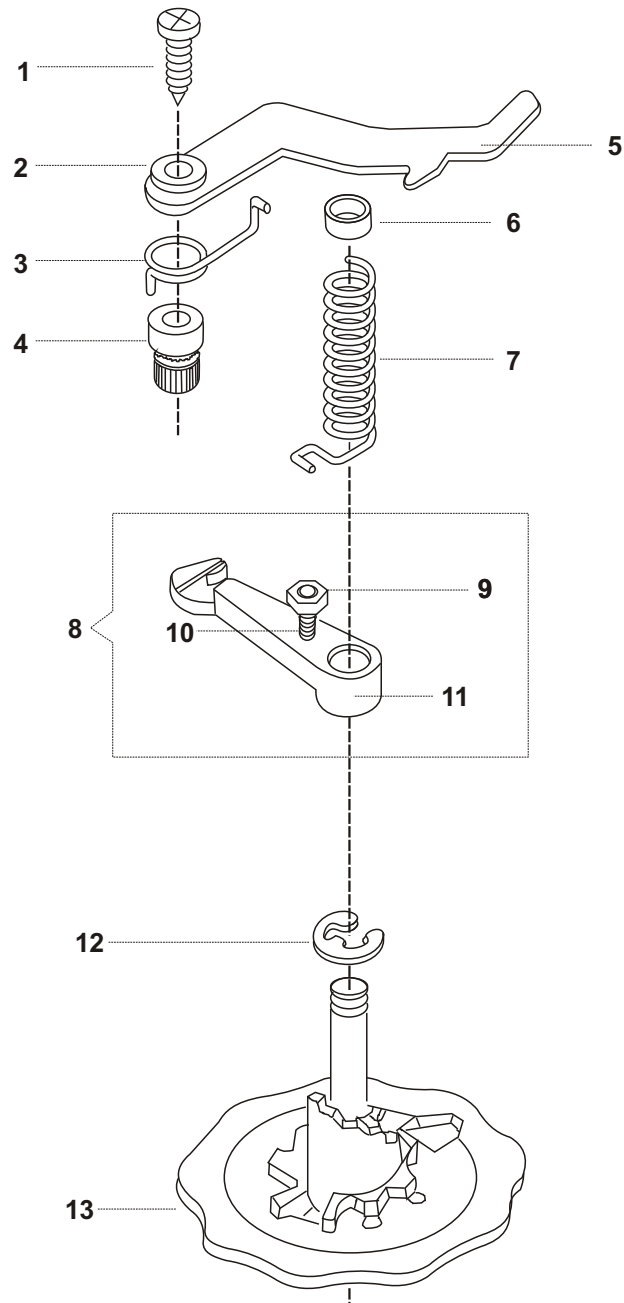


NEEDLE POSITION

REF.	PARTS NUMBER	DESCRIPTION	HD 102	HD 105	HD 110	HD 205	HD 210	CG-500	CG-550	HD 118	CG-590
01	445721-000	Retaining ring	•							•	•
02	356735-001	Needle bar driving arm slide bracket lever complete								•	•
02	356636-000	Needle bar driving arm slide bracket lever complete	•								
03	141913-451	Lever screw	•							•	•
04	113455-001	Adjusting plate screw	•							•	•
05	356838-000	Needle position selector lever complete								•	•
06	446401-000	Selector lever adjusting plate	•							•	•
07	54591-451	Adjusting plate screw nut	•							•	•
08	357089-000	Disc follower stud								•	•
09	353585-000	Disc follower stud collar								•	•
10	353547-000	Needle position selector lever bracket	•								
11	141913-451	Selector lever screw	•							•	•
12	356744-000	Needle position selector lever complete								•	•
13	445486-000	Needle position selector lever retaining ring								•	•
14	357699-904	Needle position selector lever knob	•								
15	356228-000	Lever bracket positioning pin	•							•	•
16	444800-000	Pin spring	•							•	•
17	356065-000	Needle position selector lever	•								
18	356961-457	Needle position selector lever knob (Plastic)								•	
18	356961-458	Needle position selector lever knob (Plastic)									•
19	357326-900	Needle bar driving arm slide bracket articulating pin	•							•	•
20	357327-900	Needle bar driv. arm slide bkt. articulat. pin spacer	•							•	•
21	445646-000	Disc follower	•								
22	44371-000	Disc follower retaining ring	•								
23	356129-000	Needle position selector lever complete	•								
24	446023-000	Disc follower stud	•								

When you need a part number with the suffix (XXX), please indicate the machine model where will be used.

PATTERN SELECTOR

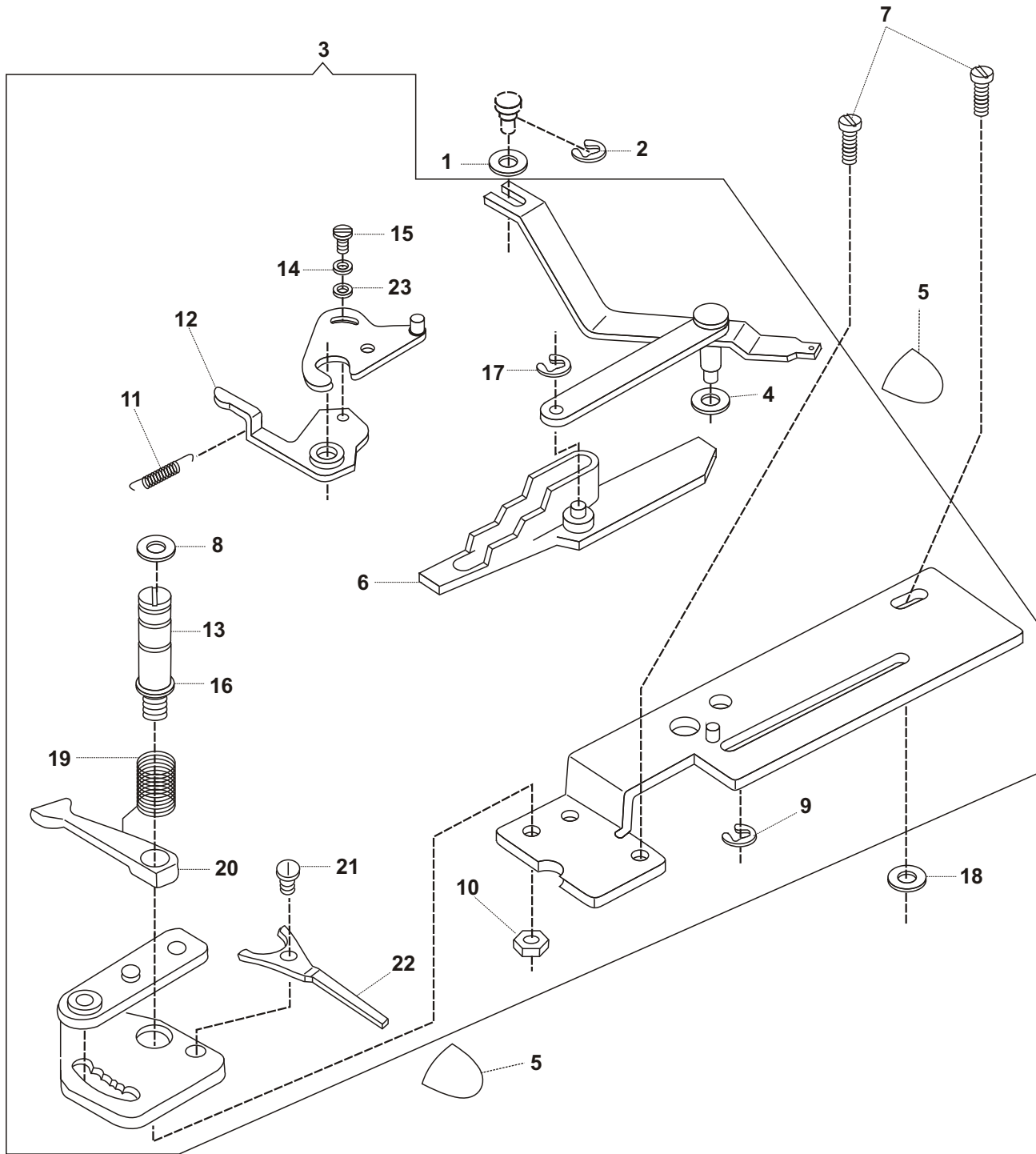


PATTERN SELECTOR

REF.	PARTS NUMBER	DESCRIPTION	HD 102	HD 105	HD 110	HD 205	HD 210	CG-500	CG-550	HD 118	CG-590
01	354826-451	Disc follower lever screw								•	•
02	356751-000	Disc follower lever bushing								•	•
03	356752-000	Disc follower disengaging lever spring								•	•
04	357000-000	Follower lever disengaging stud								•	•
05	356750-000	Follower lever								•	•
06	353548-000BUY	Spring retaining ring								•	•
07	356768-000	Disc follower spring								•	•
08	356770-000	Disc follower complete								•	•
09	531699-451	Disc follower adjusting nut								•	•
10	445341-000	Disc follower adjusting screw stud								•	•
11	356769-901	Disc follower								•	•
12	603908-001	Retaining ring								•	•
13	356749-462	Pattern selector cam dial								•	
13	356749-463	Pattern selector cam dial									•

When you need a part number with the suffix (XXX), please indicate the machine model where will be used.

DISC SELECTOR & NEEDLE POSITION

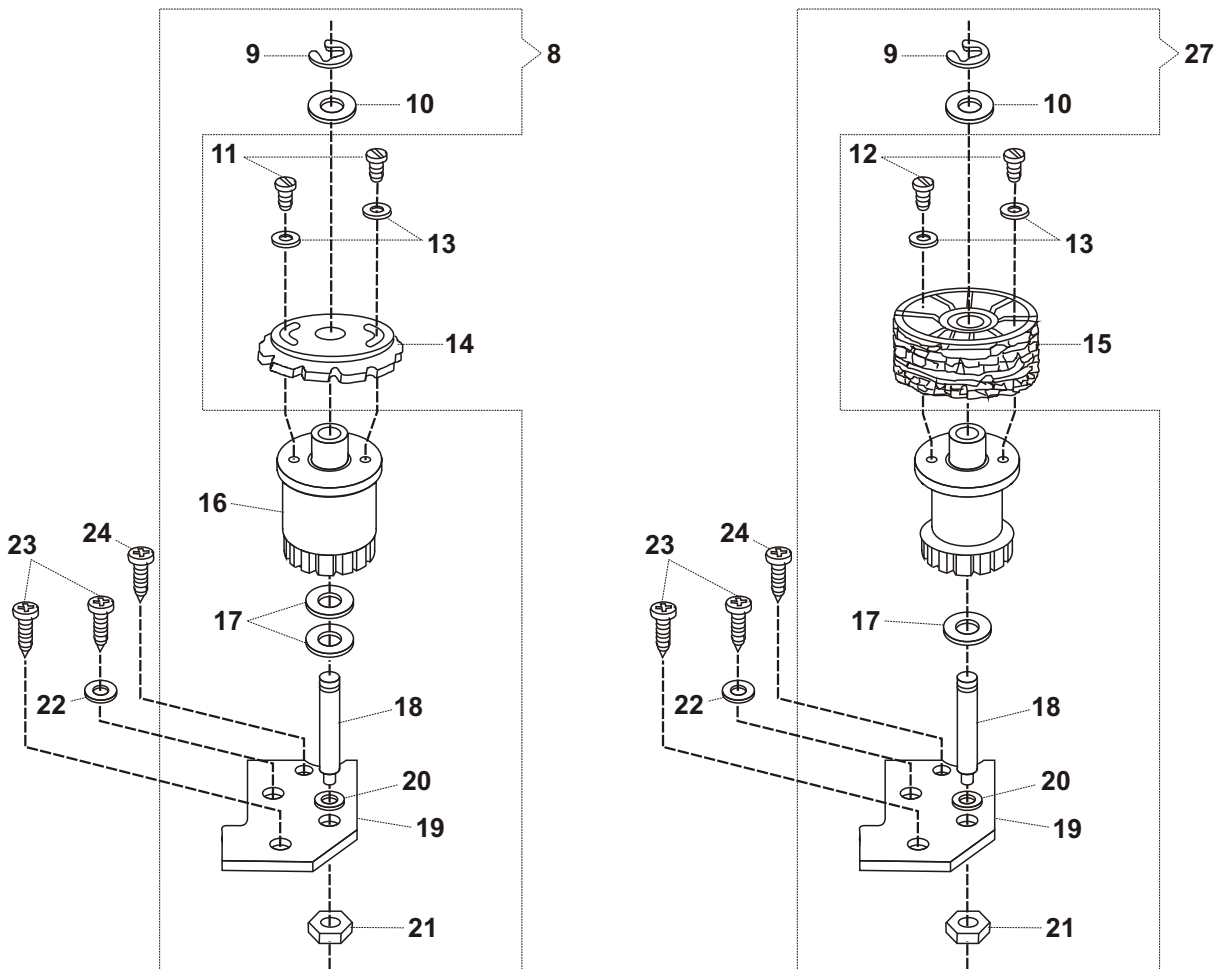
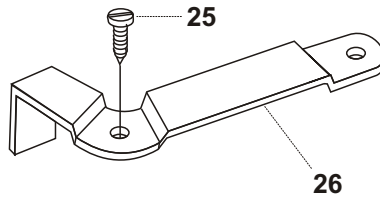
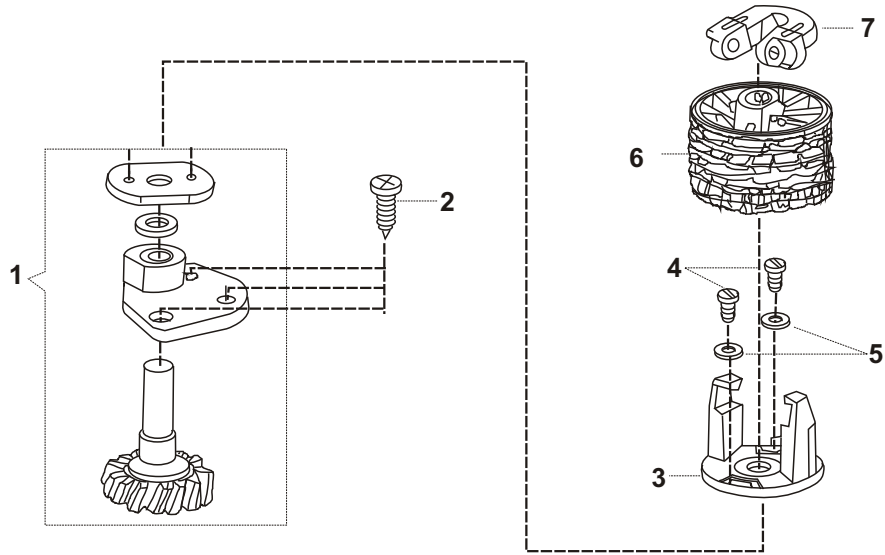


DISC SELECTOR & NEEDLE POSITION

REF.	PARTS NUMBER	DESCRIPTION	HD 102	HD 105	HD 110	HD 205	HD 210	CG-500	CG-550	HD 118	CG-590
01	49204-000	Pattern selector lever hinge stud washer		•	•	•	•	•	•		
02	445486-000	Pattern selector lever retaining ring		•	•	•	•	•	•		
03	356068-000	Needle position & pattern selector complete		•	•	•	•	•	•		
04	446138-000	Pattern selector drive stud washer		•	•	•	•	•	•		
05	357699-905	Selector lever knob						•	•		
05	357699-904	Selector lever knob		•	•	•	•				
06	446406-000BUY	Pattern selector cam slide		•	•	•	•	•	•		
07	113455-001	Pattern selector mounting plate screw		•	•	•	•	•	•		
08	353548-000BUY	Disc follower stud washer		•	•	•	•	•	•		
09	408030-000	Pattern selector lever retaining ring		•	•	•	•	•	•		
10	54591-451	Disc follower stud nut		•	•	•	•	•	•		
11	446415-000	Disc follower disengaging lever spring		•	•	•	•	•	•		
12	446412-000	Disc follower disengaging lever		•	•	•	•	•	•		
13	353584-000	Disc follower stud		•	•	•	•	•	•		
14	445808-000	Disc follower dis. lever plate adjusting screw washer		•	•	•	•	•	•		
15	141913-451	Disc follower disengaging lever plate adj. screw		•	•	•	•	•	•		
16	353585-000	Disc follower stud collar		•	•	•	•	•	•		
17	446417-000	Pattern selector cam slide conn. link ret. ring		•	•	•	•	•	•		
18	353488-000	Pattern selector mounting plate spacer		•	•	•	•	•	•		
19	179897-000	Disc follower spring		•	•	•	•	•	•		
20	446404-000	Disc follower		•	•	•	•	•	•		
21	141913-451	Needle position selector lever screw		•	•	•	•	•	•		
22	356065-000	Disc follower selector lever		•	•	•	•	•	•		
23	356830-001	Disc follower diseng. lever plate adj. screw washer		•	•	•	•	•	•		

When you need a part number with the suffix (XXX), please indicate the machine model where will be used.

CAM STACK

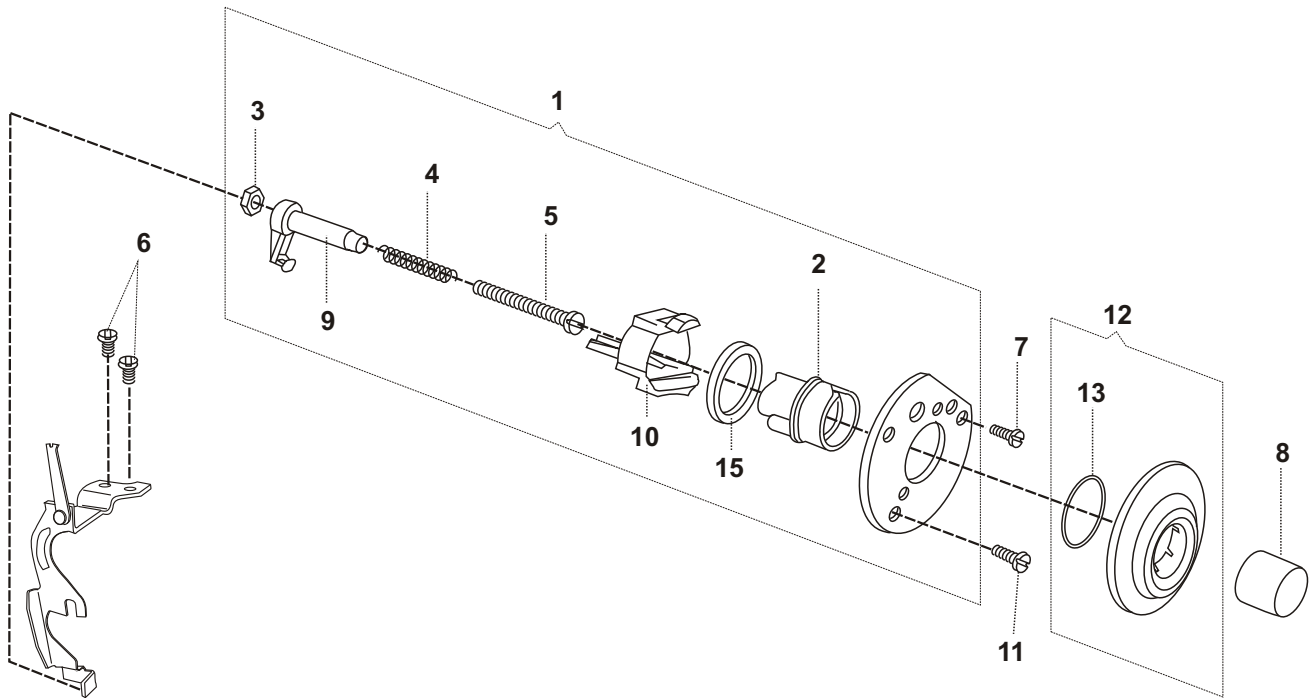


CAM STACK

REF.	PARTS NUMBER	DESCRIPTION	HD 102	HD 105	HD 110	HD 205	HD 210	CG-500	CG-550	HD 118	CG-590
01	356982-000	Disc driving gear assembly								•	•
02	113455-012	Mounting screw								•	•
03	356971-000BUY	Disc driving plate								•	•
04	141920-455	Plate screw								•	•
05	356830-003	Washer								•	•
06	356969-000	Disc stack								•	•
07	356965-451BUY	Cam handle								•	•
08	446421-930	Disc driving gear complete	•								
09	444921-000	Disc driving gear retaining ring	•	•	•	•	•	•	•		
10	444923-453	Disc driving gear shaft friction washer	•	•	•	•	•	•	•		
11	113375-451	Disc stack positioning screw	•								
12	141920-455	Disc stack positioning screw		•	•	•	•	•	•		
13	446138-000	Disc stack positioning screw washer	•	•	•	•	•	•	•		
14	445762-000BUY	Disc stack (Plastic)	•								
15	353287-000	Disc stack (Plastic)		•	•	•	•	•	•		
16	179958-000BUY	Disc driving gear (Plastic)	•								
17	353424-000	Disc driving gear shaft spacer	•	•	•	•	•	•	•		
18	446418-000	Disc driving gear shaft	•	•		•		•			
18	446418-001	Disc driving gear shaft (With hole)			•		•		•		
19	353575-000	Disc driving gear shaft mounting plate	•	•	•	•	•	•	•		
20	353488-000	Disc driving gear shaft washer	•	•	•	•	•	•	•		
21	53648-000	Disc driving gear shaft nut	•	•	•	•	•	•	•		
22	353375-451	Disc driving gear shaft mount. plate screw washer	•	•	•	•	•	•	•		
23	113435-451	Disc driving gear shaft mounting plate screw	•	•	•	•	•	•	•		
24	113455-001	Disc driving gear shaft mounting plate screw	•	•	•	•	•	•	•		
25	354654-451	Disc driving gear support mounting screw			•		•		•		
26	353440-900	Disc driving gear support mounting			•		•		•		
27	353288-930	Disc driving gear complete		•		•		•			
27	353288-931	Disc driving gear complete			•		•		•		

When you need a part number with the suffix (XXX), please indicate the machine model where will be used.

FEED REGULATOR CAM

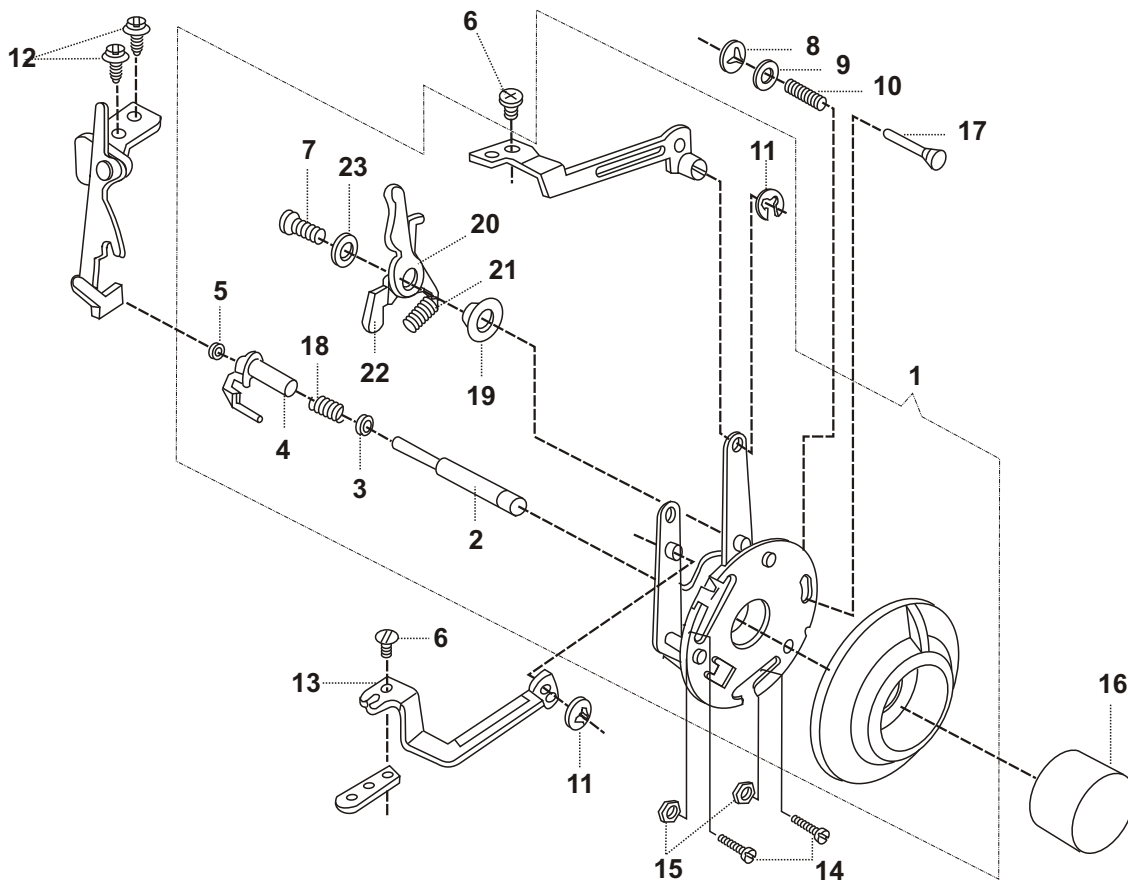


FEED REGULATOR CAM

REF.	PARTS NUMBER	DESCRIPTION	HD 102	HD 105	HD 110	HD 205	HD 210	CG-500	CG-550	HD 118	CG-590
01	353478-000	Feed regulator cam complete	•								
02	353477-000BUY	Feed regulator cam	•								
03	618638-005	Nut	•								
04	44892-000	Spring	•								
05	354975-451	Positioning screw	•								
06	358499-451	Arm mounting bracket screw	•								
07	531806-451	Plate screw	•								
08	356115-464	Reverse button	•								
09	356398-900BUY	Feed regulator cam follower	•								
10	446284-000BUY	Feed regulator mounting plate	•								
11	531807-451	Feed regulator mounting plate screw (Left)	•								
12	356998-459	Feed regulator control dial	•								
13	445461-000	Feed regulator control dial spring	•								
14	446283-000	Feed regulator mechanism mounting plate	•								
15	446282-000	Feed regulator friction washer	•								

When you need a part number with the suffix (XXX), please indicate the machine model where will be used.

BUTTONHOLER

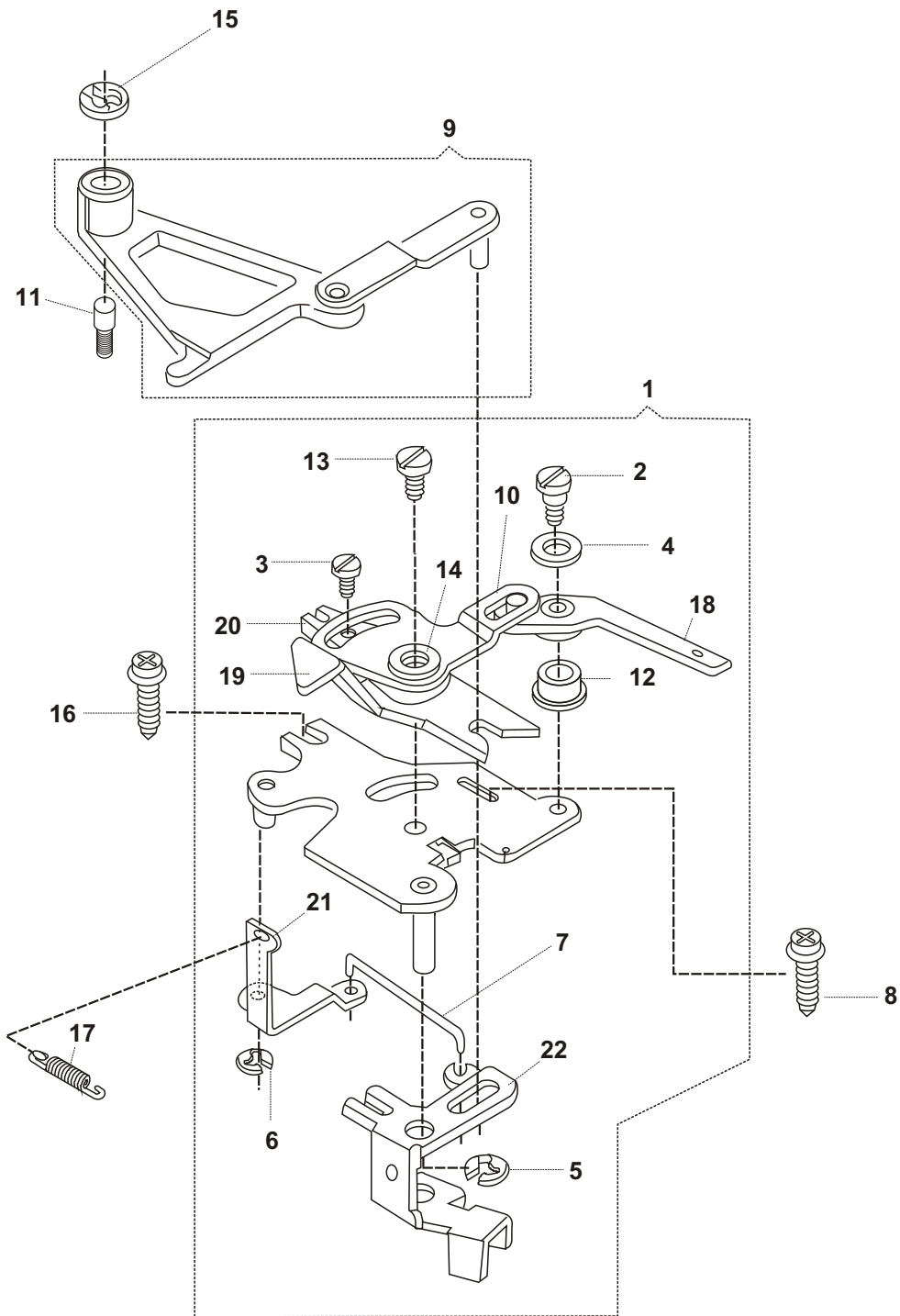


BUTTONHOLER

REF.	PARTS NUMBER	DESCRIPTION	HD 102	HD 105	HD 110	HD 205	HD 210	CG-500	CG-550	HD 118	CG-590
01	357012-938	Buttonholer complete						•			
01	357010-947	Buttonholer complete							•		•
01	357012-937	Buttonholer complete		•		•					
01	357010-945	Buttonholer complete			•		•			•	
02	356650-000	Feed regulator positioning pin		•	•	•	•	•	•	•	•
03	356830-001	Washer		•	•	•	•	•	•	•	•
04	357094-000BUY	Positioning pin carrier		•	•	•	•	•	•	•	•
05	618638-005	Nut		•	•	•	•	•	•	•	•
06	141913-451	Feed regulator arm screw		•	•	•	•	•	•	•	•
07	113372-451	Cam contr. feed eng. cam foll. & lever mtg. screw			•		•		•	•	•
08	408030-000	Retaining ring		•	•	•	•	•	•	•	•
09	445808-000	Washer		•	•	•	•	•	•	•	•
10	179949-000	Mounting plate stud spring		•	•	•	•	•	•	•	•
11	445486-000	Retaining ring		•	•	•	•	•	•	•	•
12	358499-451	Arm clamp screw		•	•	•	•	•	•	•	•
13	356748-000	Cam follower lever link (Left)								•	•
13	356081-000	Cam follower lever link (Left)		•	•	•	•	•	•		
14	113513-451	Screw		•	•	•	•	•	•	•	•
15	53640-819	Nut		•	•	•	•	•	•	•	•
16	356653-481	Reverse button						•	•		•
16	356653-480	Reverse button		•	•	•	•			•	
17	357119-000	Mounting plate stud		•	•	•	•	•	•	•	•
18	44892-000	Feed regulator positioning pin friction spring		•	•	•	•	•	•	•	•
19	353319-000	Cam contr. feed eng. cam follower & lever bushing			•		•		•	•	•
20	353321-000	Cam contr. feed eng. cam follower lever			•		•		•	•	•
21	358102-000	Cam contr. feed eng. cam follower & lever spring			•		•		•	•	•
22	353320-000	Cam contr. feed eng. cam follower			•		•		•	•	•
23	445539-000	Cam contr. feed eng. cam follower & lever washer			•		•		•	•	•

When you need a part number with the suffix (XXX), please indicate the machine model where will be used.

CAM CONTROLLED FEED



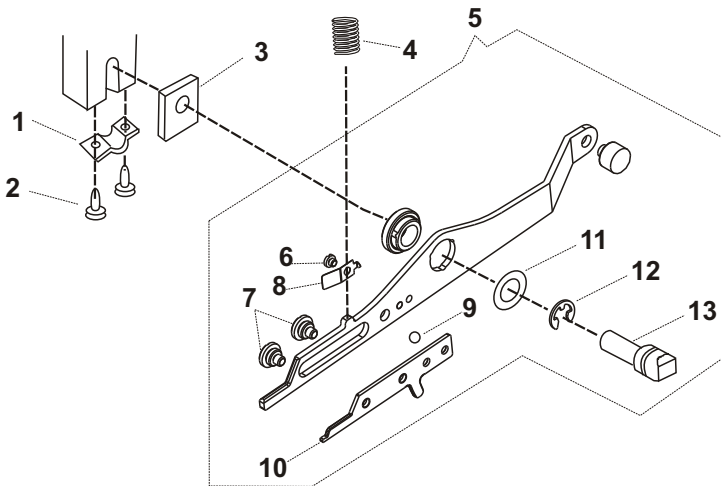
CAM CONTROLLED FEED

REF.	PARTS NUMBER	DESCRIPTION	HD 102	HD 105	HD 110	HD 205	HD 210	CG-500	CG-550	HD 118	CG-590
01	531749-001	Cam controlled feed mounting bracket complete			•		•		•	•	•
02	113424-451	Cam controlled feed balance adj. lever hinge screw			•		•		•	•	•
03	141913-451	Screw			•		•		•	•	•
04	179898-001	Washer			•		•		•	•	•
05	445721-000	Retaining ring			•		•		•	•	•
06	445486-000	Retaining ring			•		•		•	•	•
07	353473-000	Engaging crank link			•		•		•	•	•
08	113455-003	Mounting plate screw			•		•		•	•	•
09	356839-000	Cam controlled feed follower & link assembly								•	•
10	353335-000	Cam controlled feed follower & link assembly			•		•		•		
10	531754-000	Cam controlled feed balance adjusting plate			•		•		•	•	•
11	353344-000	Cam follower pin			•		•		•	•	•
12	353334-000	Cam cont. feed bal. adj. lever mounting bushing			•		•		•	•	•
13	113423-451	Cam cont. feed balance adj. plate hinge screw			•		•		•	•	•
14	353492-000	Screw washer			•		•		•	•	•
15	445486-000	Retaining ring			•		•		•	•	•
16	355243-451	Mounting plate screw			•		•		•	•	•
17	356605-000	Feed regulator control arm bias link spring			•		•		•	•	•
18	531752-453	Cam controlled feed balance adj. lever assembly			•		•		•	•	•
19	353330-001	Cam controlled feed driving arm			•		•		•	•	•
20	353331-000	Cam controlled feed driving arm eccentric			•		•		•	•	•
21	356166-000	Cam controlled feed engaging crank lever			•		•		•	•	•
22	353329-000	Cam controlled feed engaging crank			•		•		•	•	•

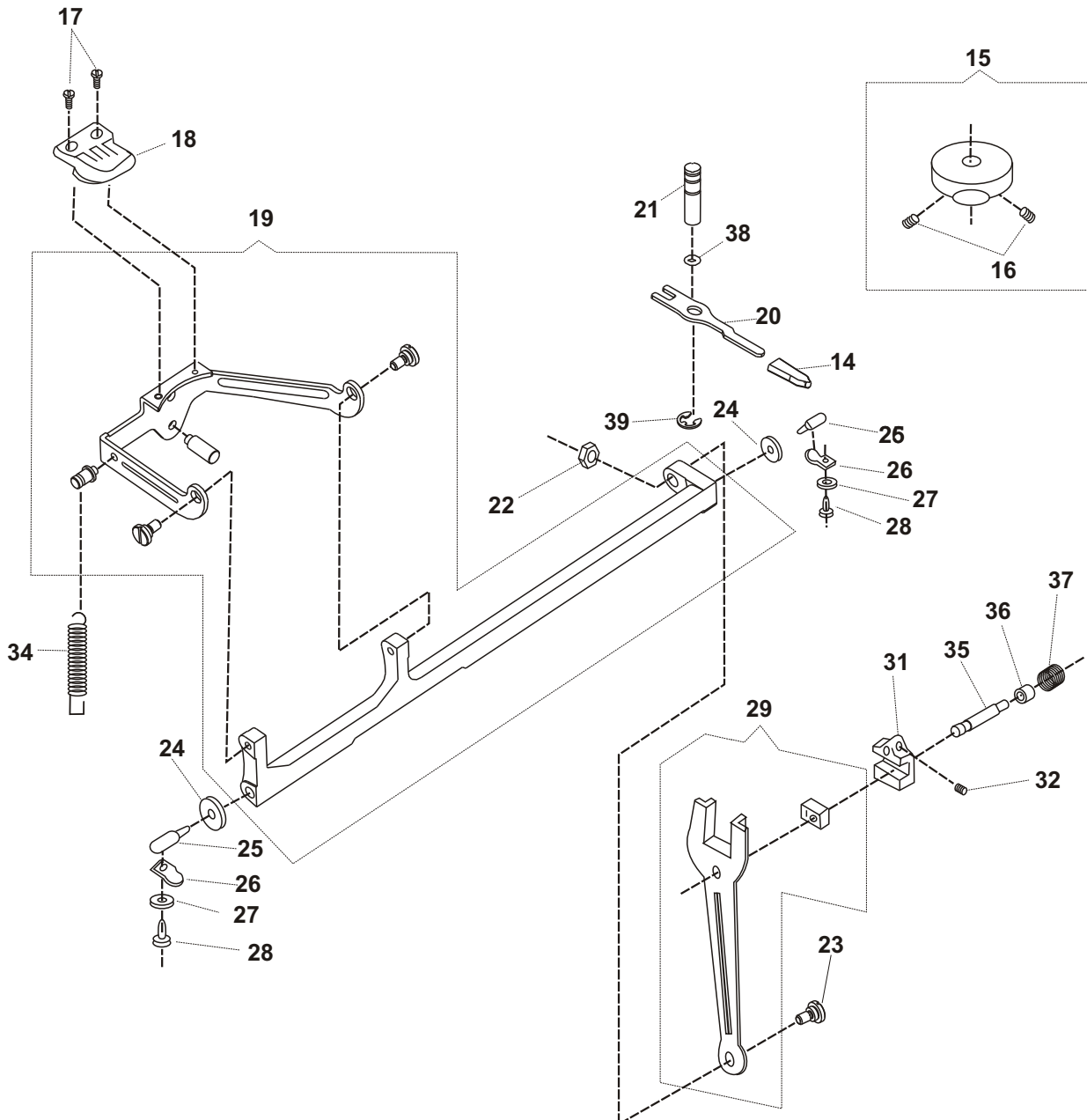
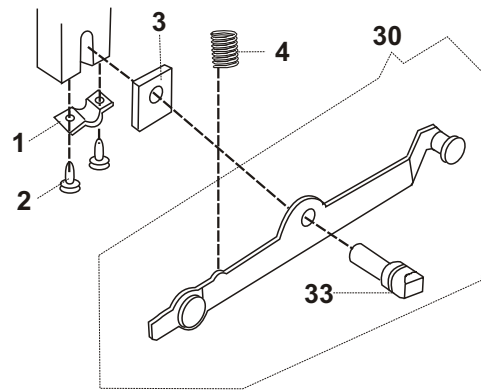
When you need a part number with the suffix (XXX), please indicate the machine model where will be used.

FEED SYSTEM

For models with drop feed



For all other models



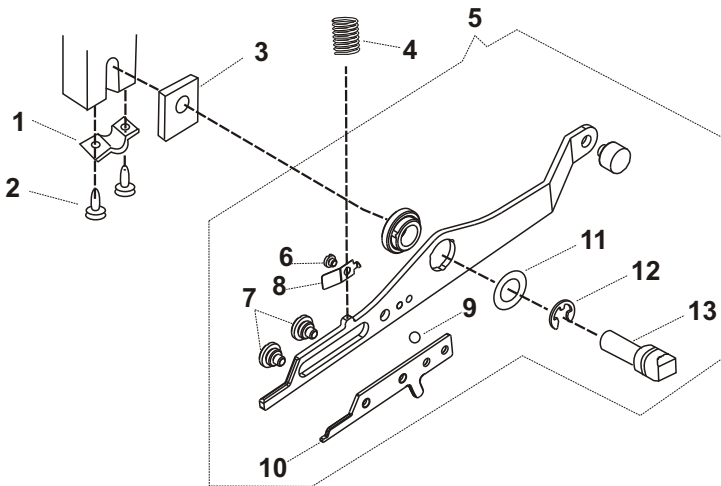
FEED SYSTEM

REF.	PARTS NUMBER	DESCRIPTION	HD 102	HD 105	HD 110	HD 205	HD 210	CG-500	CG-550	HD 118	CG-590
01	446485-000	Hinge stud clamp	•	•	•	•	•	•	•	•	•
02	113455-001	Clamp screw	•	•	•	•	•	•	•	•	•
03	179955-000BUY	Stud spacer	•	•	•	•	•	•	•	•	•
04	446249-000	Lever spring	•	•	•	•	•	•	•	•	•
05	358003-000	Feed lifting lever complete		0	0			0	•	•	
06	357863-900	Stop spring screw		0	0			0	•	•	
07	357862-900	Slide lever guide screw		0	0			0	•	•	
08	357807-900	Drop feed sphere spring		0	0			0	•	•	
09	357919-900	Stop sphere		0	0			0	•	•	
10	357806-900	Drop feed sphere releasing lever		0	0			0	•	•	
11	353427-000	Washer		0	0			0	•	•	
12	353428-000	Retaining ring		0	0			0	•	•	
13	353448-000	Feed lifting lever hinge stud		0	0			0	•	•	
14	357877-900	Lever button		0	0			0			
14	357877-901	Lever button								•	
14	357877-902	Lever button									•
15	446228-000	Feed lifter cam assembly	•	•	•	•	•	•	•	•	•
16	544118-000	Feed lifter cam screw	•	•	•	•	•	•	•	•	•
17	355235-451	Feed dog screw	•	•	•	•	•	•	•	•	•
18	179891-000SDB	Feed dog	•	•	•	•	•	•	•	•	•
19	358069-000	Feed rock shaft complete (With drop feed)		0	0			0	•	•	
19	357651-000	Feed rock shaft complete (W/o drop feed)	•	•	•	•	•	•			
20	358226-900	Drop feed lever		0	0			0	•	•	
21	358225-900	Drop feed lever hinge pin		0	0			0	•	•	
22	53648-451	Feed forked connection screw nut	•	•	•	•	•	•	•	•	•
23	531623-451	Feed forked connection screw	•	•	•	•	•	•	•	•	•
24	353397-000BUY	Washer	•	•	•	•	•	•	•	•	•
25	446487-001BUY	Feed rock shaft center	•	•	•	•	•	•	•	•	•
26	446484-000	Feed rock shaft clamp	•	•	•	•	•	•	•	•	•
27	353375-451	Washer	•	•	•	•	•	•	•	•	•
28	113455-001	Shaft supporting bracket screw	•	•	•	•	•	•	•	•	•
		0 = Optional									

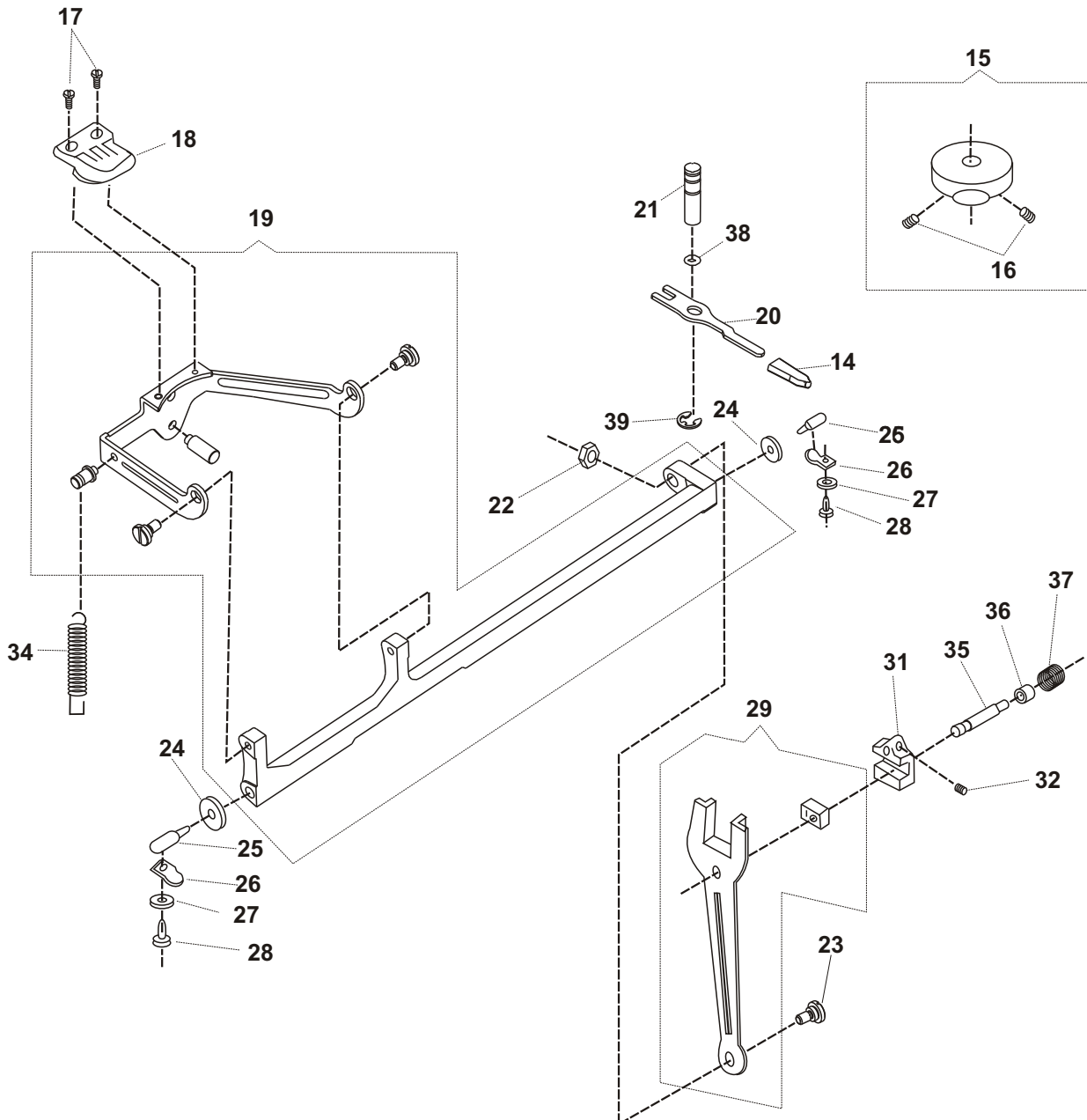
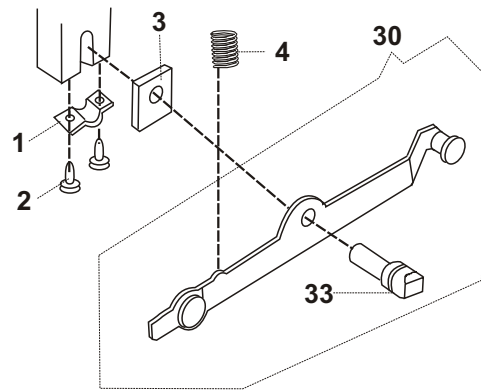
When you need a part number with the suffix (XXX), please indicate the machine model where will be used.

FEED SYSTEM

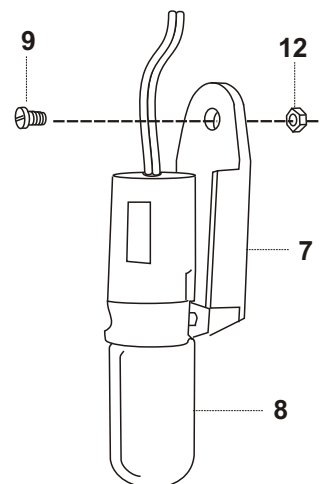
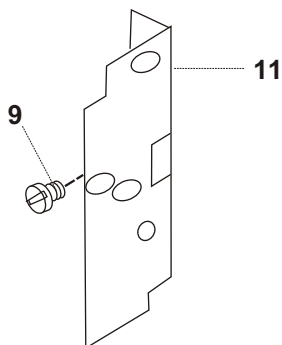
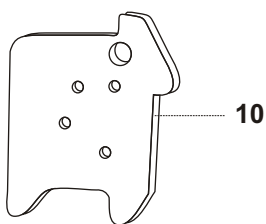
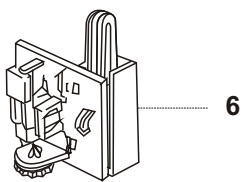
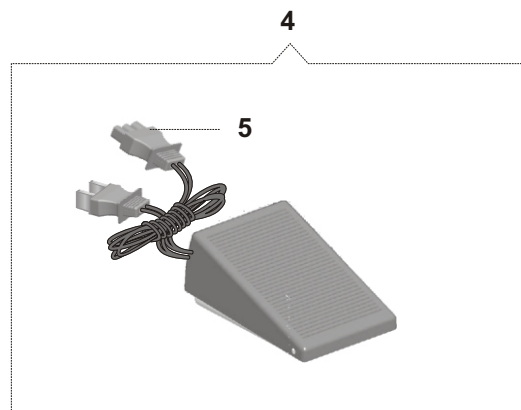
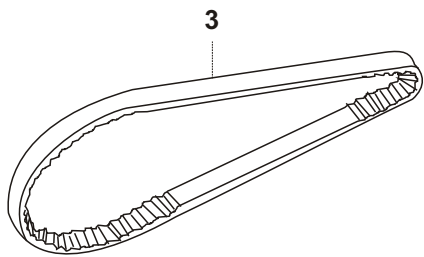
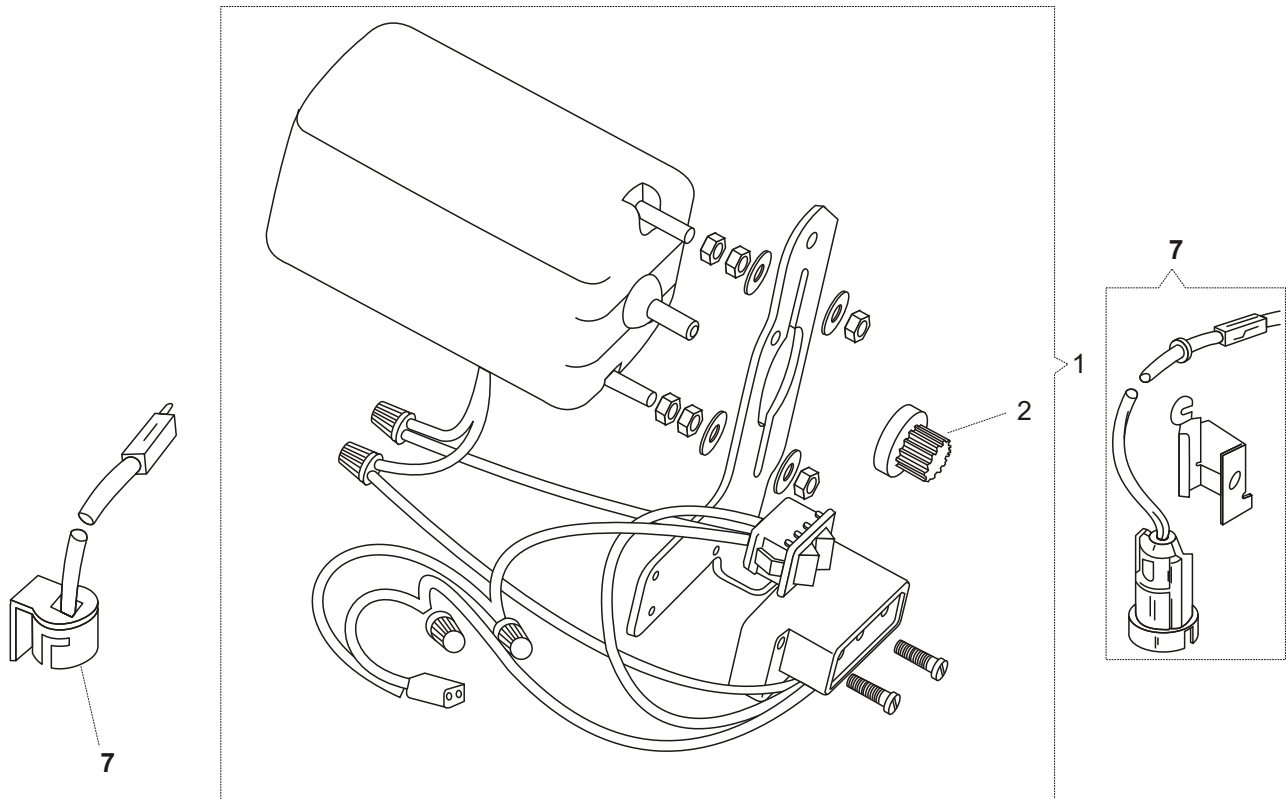
For models with drop feed



For all other models



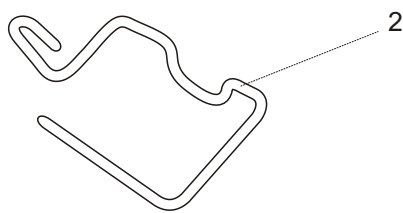
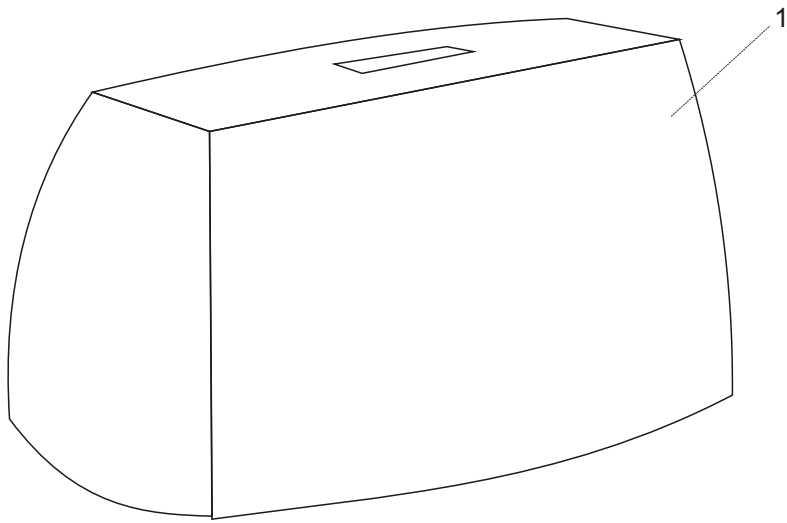
ELECTRICAL EQUIPAMENT



ELECTRICAL EQUIPAMENT

REF.	PARTS NUMBER	DESCRIPTION	HD 102	HD 105	HD 110	HD 205	HD 210	CG-500	CG-550	HD 118	CG-590
01	362180-034	Motor complete 120V 160W	•	•	•	•	•	•	•	•	•
01	362180-035	Motor complete 220V-240V IEC 190W	•	•	•	•	•	•	•	•	•
02	988761-001	Motor pulley	•	•	•	•	•	•	•	•	•
03	353518-001	Motor belt	•	•	•	•	•	•	•	•	•
04	362095-070	Foot controler complete 120V UL/CSA	•	•	•	•	•			•	
04	362095-072	Foot controler complete 120V round pin	•	•	•	•	•			•	
04	362095-071	Foot controler complete 220V-240V IEC	•	•	•	•	•			•	
04	362095-083	Foot controler complete 120V UL/CSA (CG M/cs)						•	•		•
04	362095-073	Foot controler complete 220V round pin	•	•	•	•	•			•	
04	362095-074	Foot controler complete 120V flat blade	•	•	•	•	•			•	
04	362095-075	Foot controler complete 220V flat blade	•	•	•	•	•			•	
04	362095-077	Foot controler complete 220V UK	•	•	•	•	•			•	
04	362095-079	Foot controler complete 220V GOST	•	•	•	•	•			•	
04	362095-084	Foot controler complete 220V Argentina	•	•	•	•	•			•	
05	362285-XXX	Cord with line plug	•	•	•	•	•	•	•	•	•
06	362139-XXX	Controler circuit board	•	•	•	•	•	•	•	•	•
07	362001-011	Lamp socket L15 (For m/cs w/ needle threader)	0	0	0	0	0			•	
07	362001-010	Lamp socket L15 (NON REG)	•	•	•	•	•				
07	605488-025	L9 - Light lead complete - IEC	•	•	•	•	•				
07	605488-026	L9 - Light lead comp. - IEC (For m/cs w/ n. threader)	0	0	0	0	0			•	
07	362160-004	L15B - Light lead complete - UL/CSA - Line Plug	•	•	•	•	•	•	•	•	•
08	358207 10 120	Lamp 120V 10W	•	•	•	•	•	•	•	•	•
08	358207 10 220	Lamp 220V 10W	•	•	•	•	•			•	
09	354592-451	Socket mounting bracket screw	•	•	•	•	•	•	•	•	•
10	179901-000	Light shield (Without graphics)	•	•	•	•	•				
11	179910-451	Light shield (With graphics) (UL/CSA)	•	•	•	•	•	•	•		
11	358151-900	Light shield (For machines with needle threader)	0	0	0	0	0			•	
12	358151-451	Light shield (With graphics) (UL/CSA)	0	0	0	0	0	0	0		•
12	618638-005	Socket mount. bkt. screw nut (For m/cs w/ n. thre.)	0	0	0	0	0	0	0	•	•
		0 = Optional									

When you need a part number with the suffix (XXX), please indicate the machine model where will be used.



OPTIONALS

REF.	PARTS NUMBER	DESCRIPTION	HD 102	HD 105	HD 110	HD 205	HD 210	CG-500	CG-550	HD 118	CG-590
01	356392-452	Soft cover	•	•	•	•	•	•	•	•	•
02	116863-000	Finger guard (For machines w/o needle threader)	•	•	•	•	•	•	•		
02	358332-451	Finger guard (For machines with needle threader)	0	0	0	0	0	0	0	•	•
		<i>0 = Optional</i>									

When you need a part number with the suffix (XXX), please indicate the machine model where will be used.

