



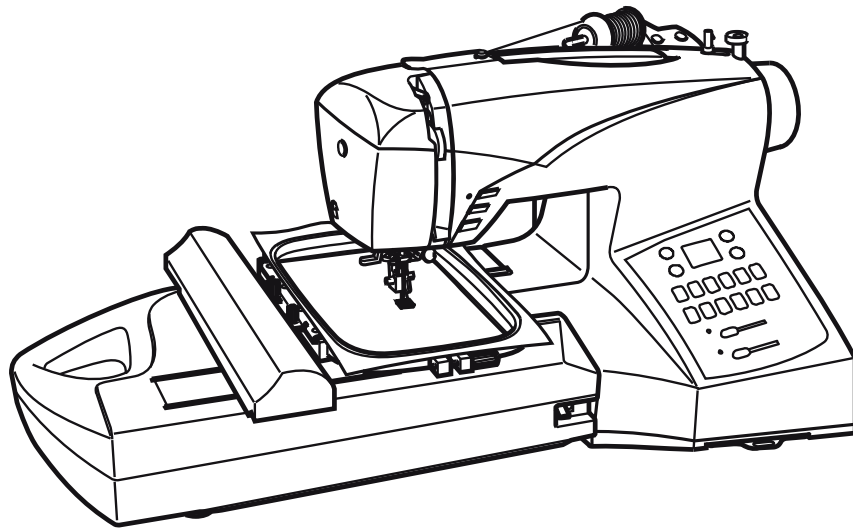
SINGER | Futura™

SES 1000

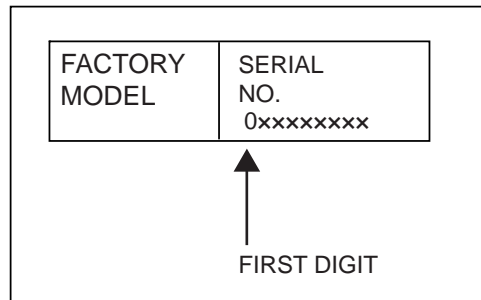
CE-150

CE-250

CE-350



Liste de pièces
Lista de Piezas
Parts List

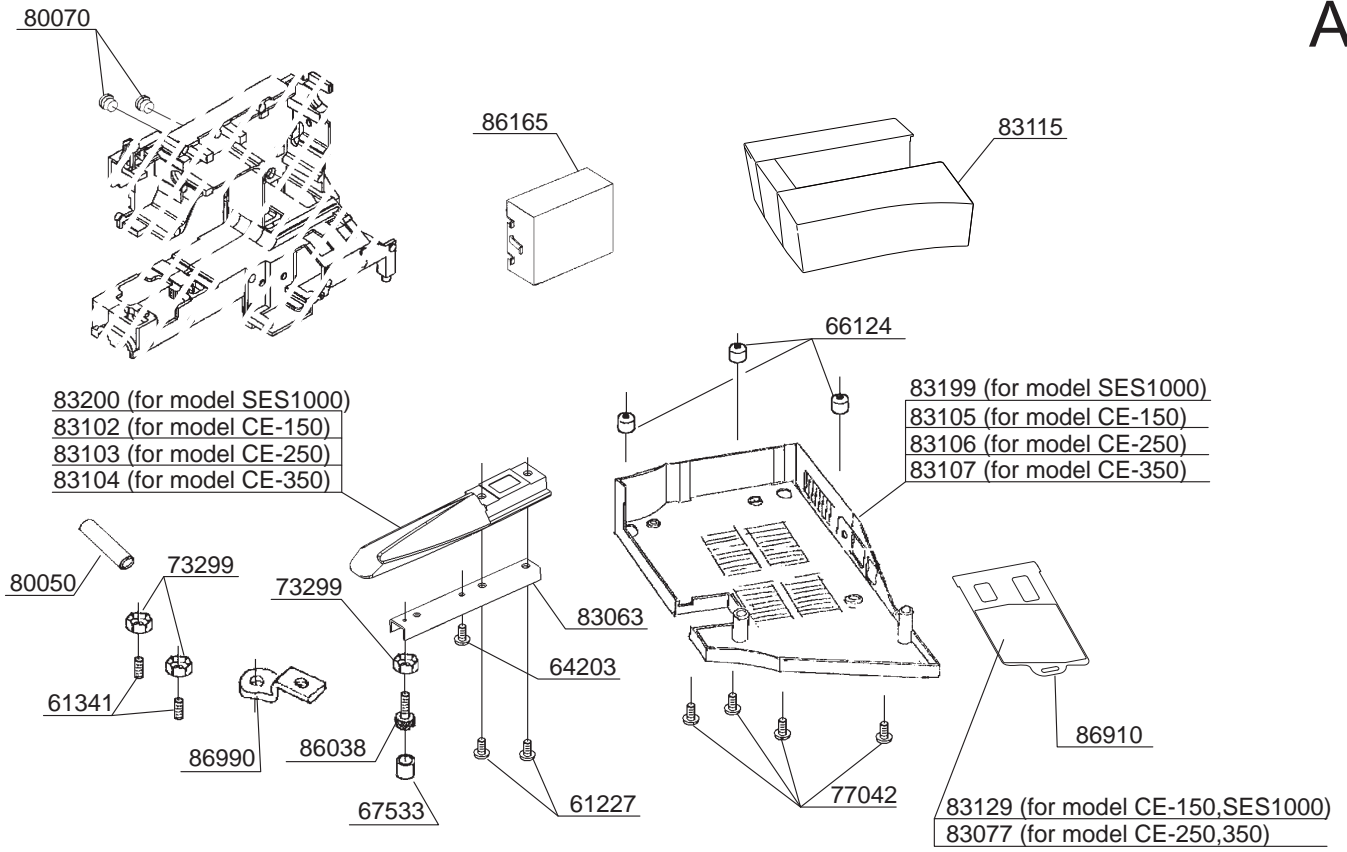
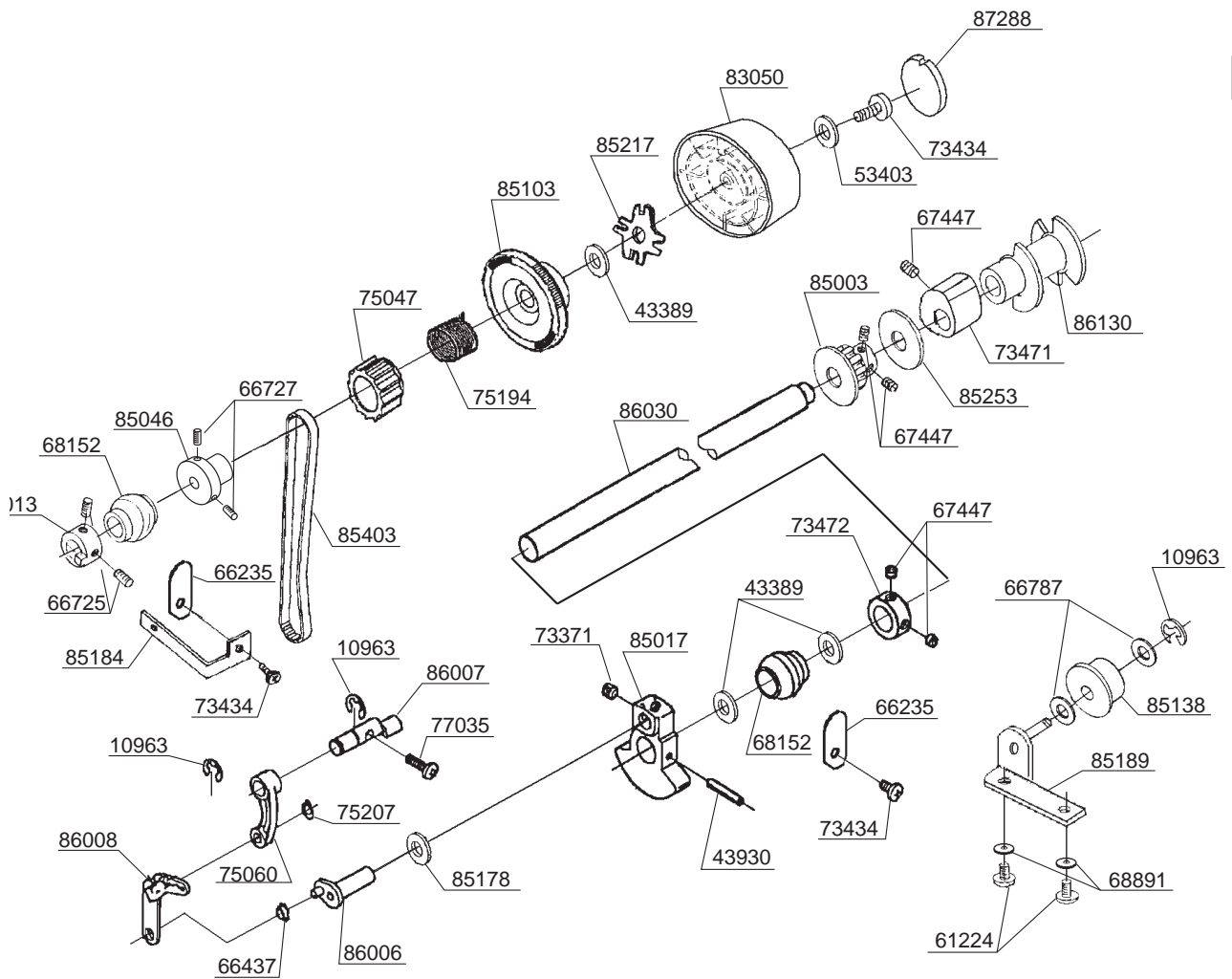


IMPORTANT:

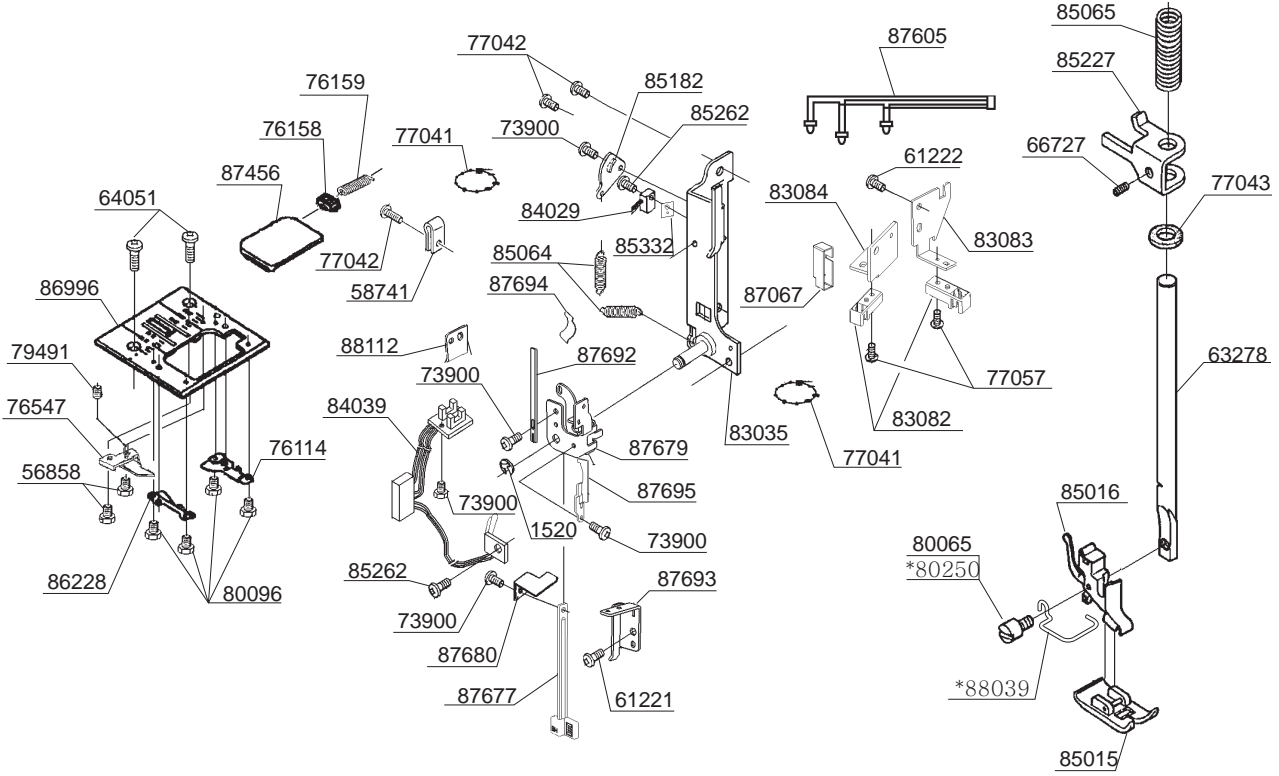
WHEN ORDERING THE PARTS ALWAYS CHECK THE SERIAL NUMBER OF THE MACHINE.

FIRST DIGIT OF THE SERIAL NUMBER MUST MATCH WITH THE LAST DIGIT OF THE FACTOR MODEL BELOW.

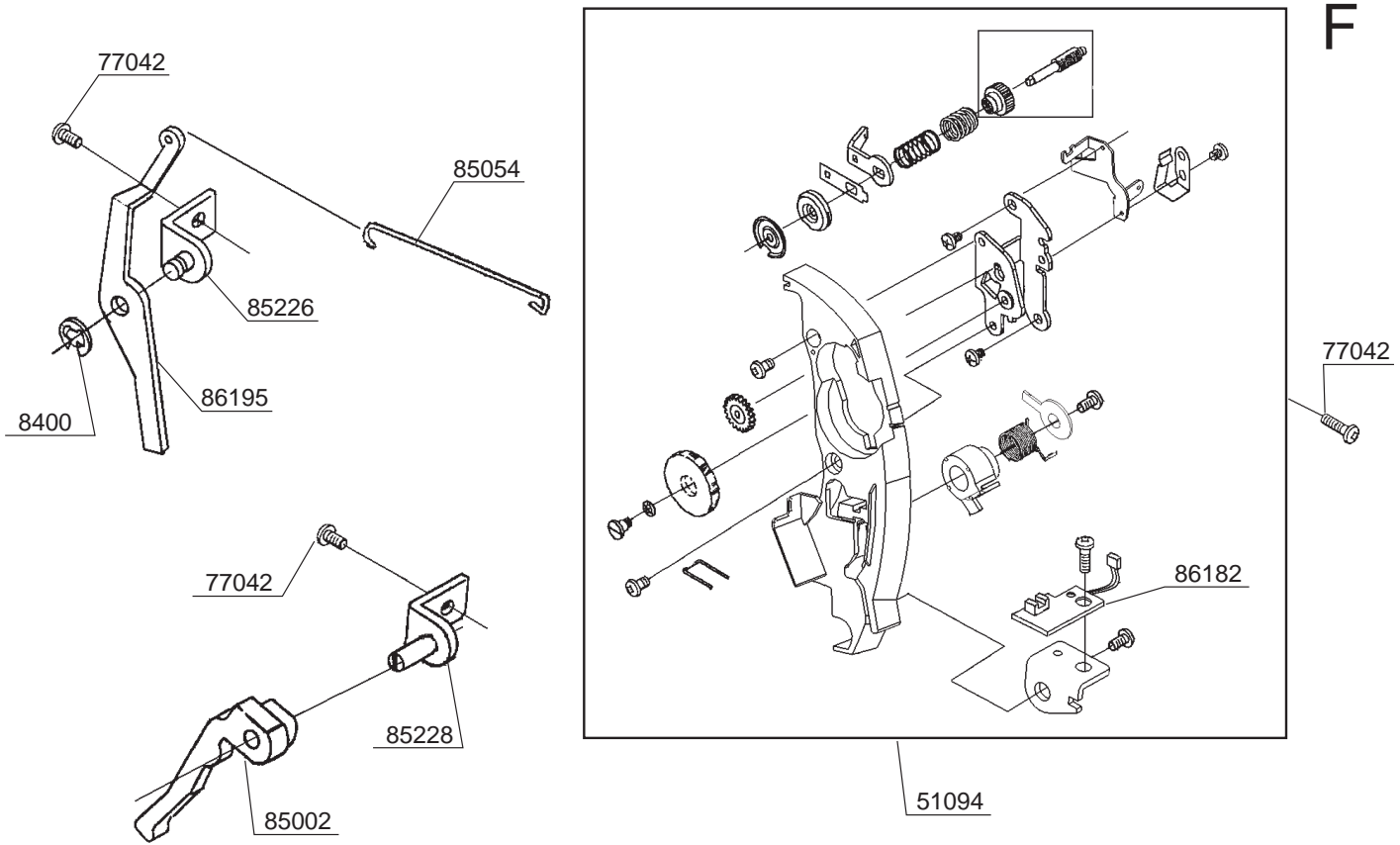
FACTORY MODEL 22660, 22760, 22860, 226S0, 227S0, 228S0

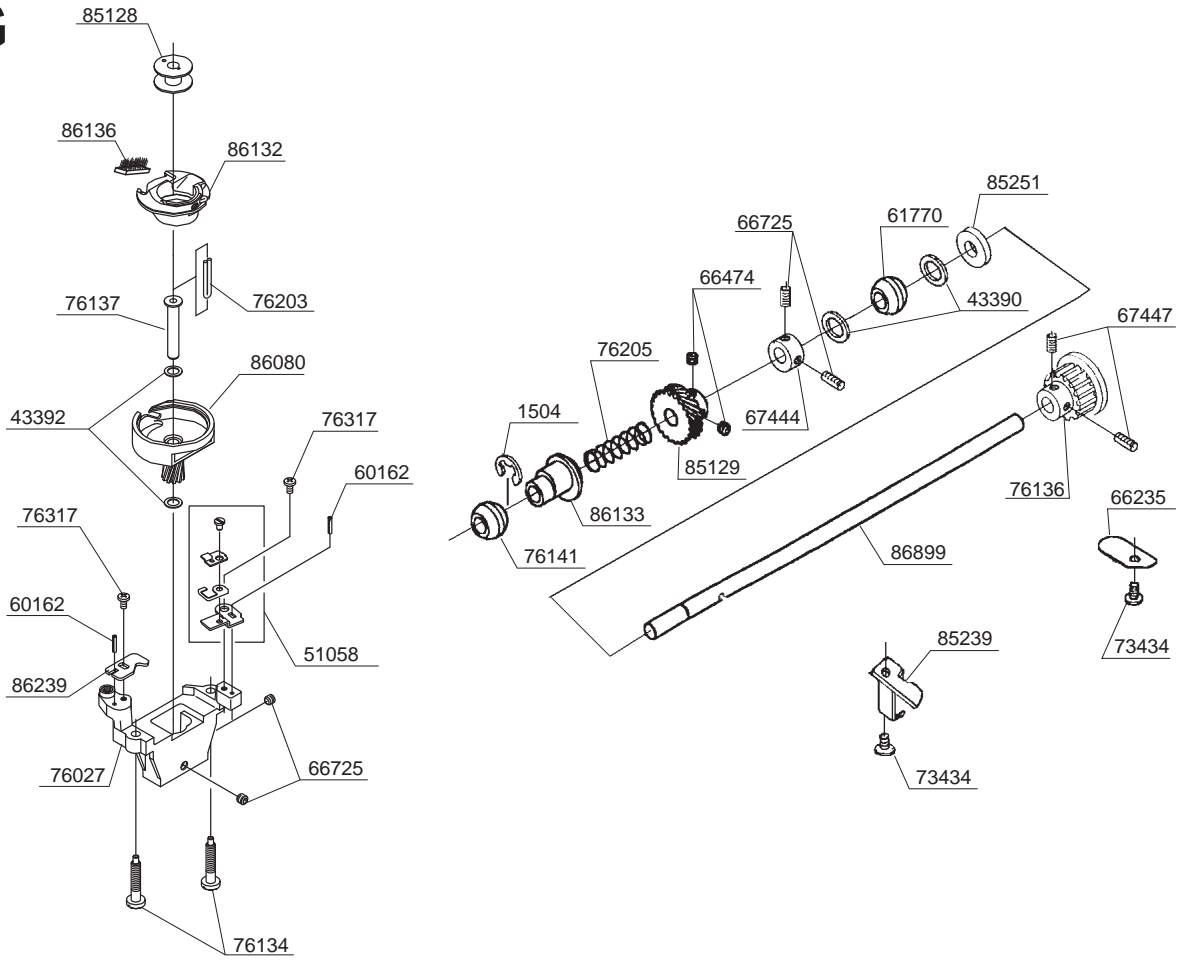
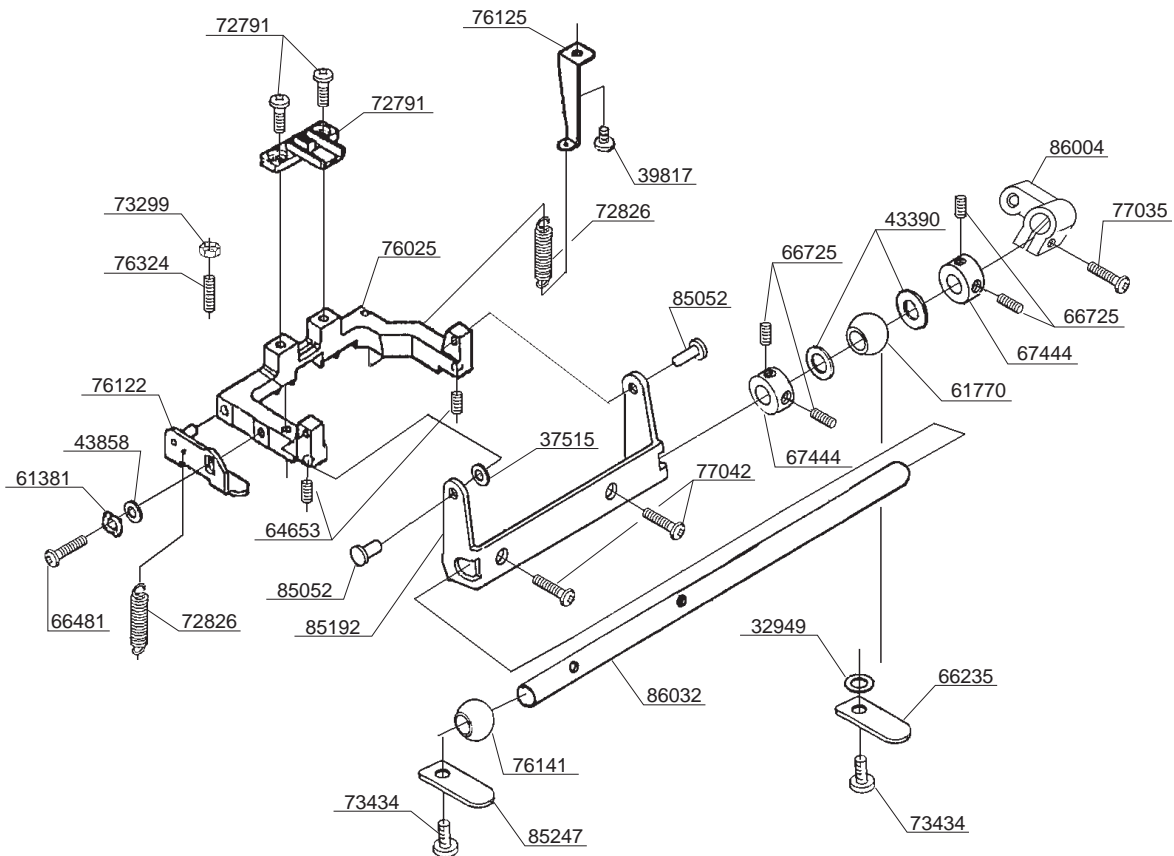
A**B**

E

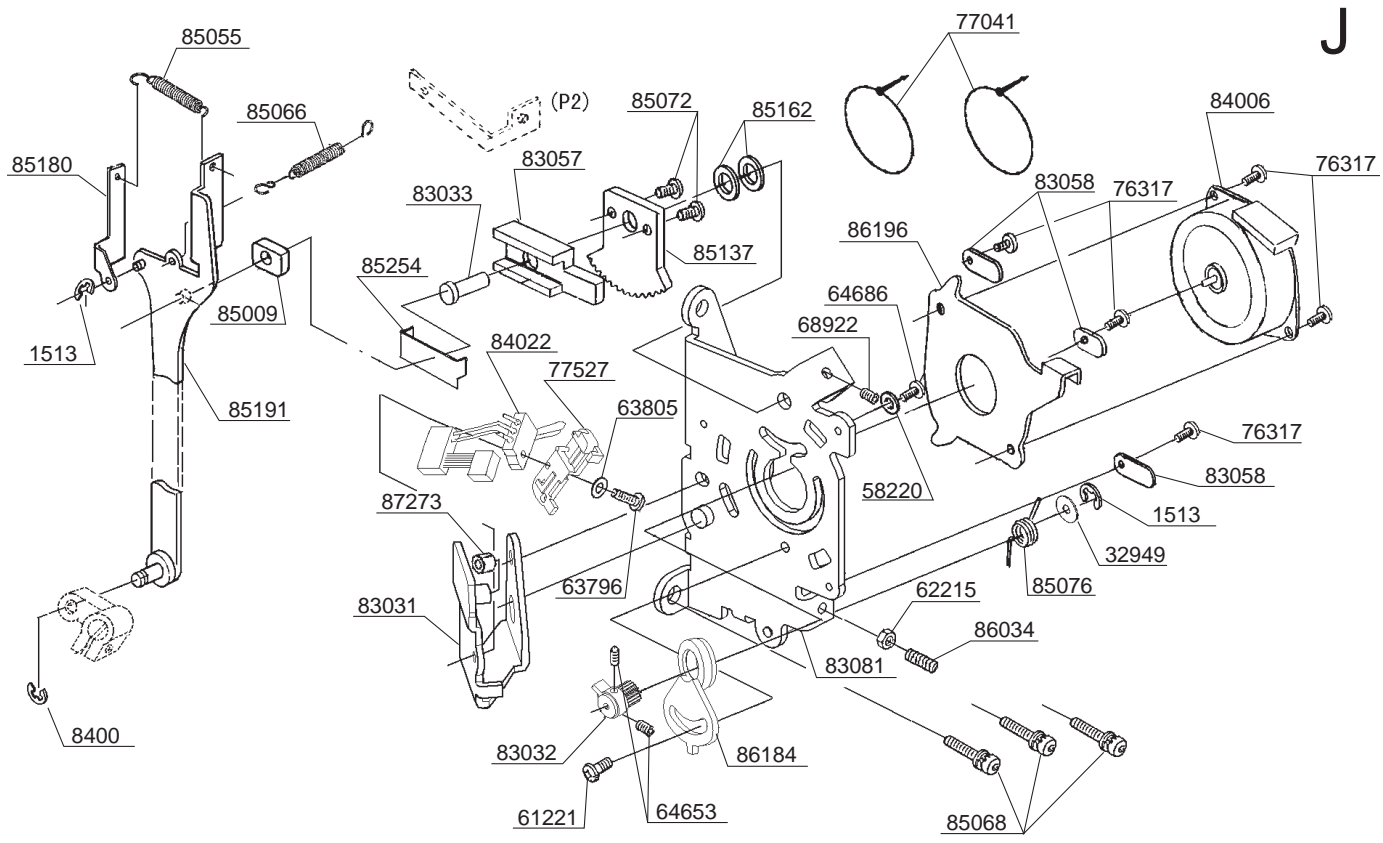


F

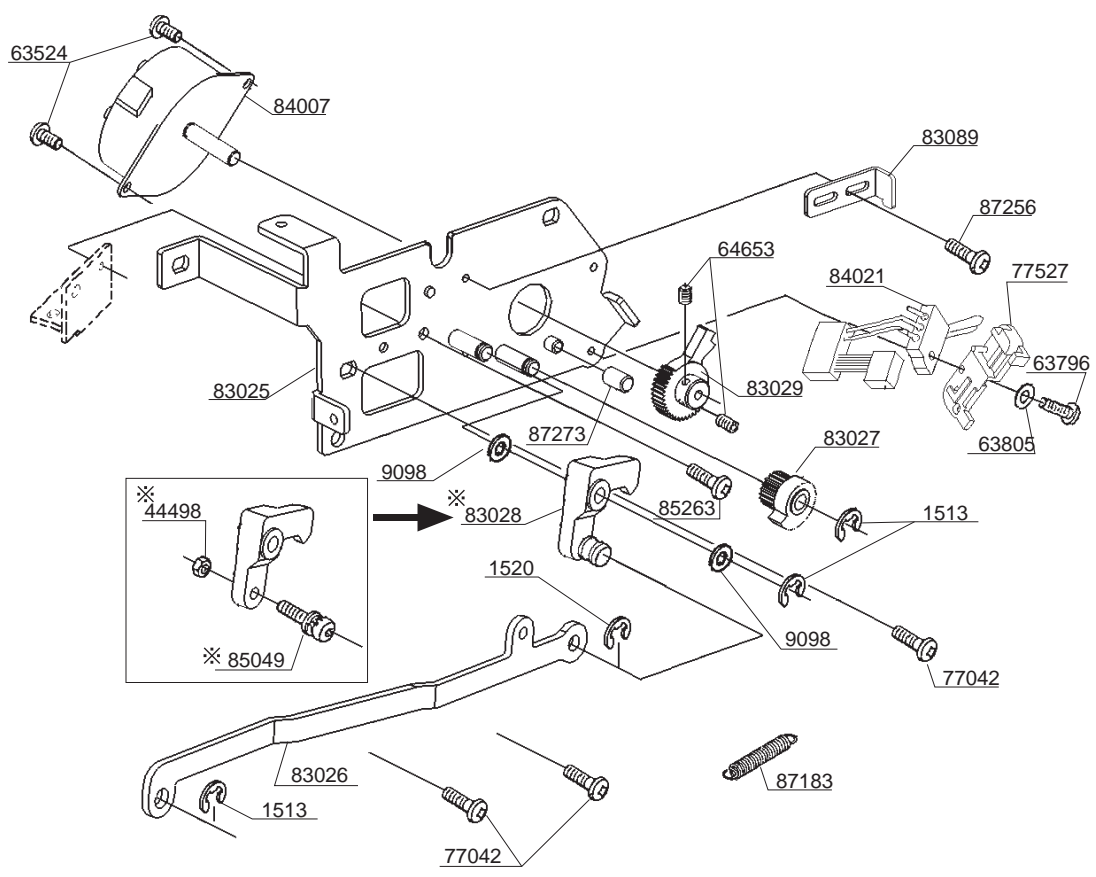


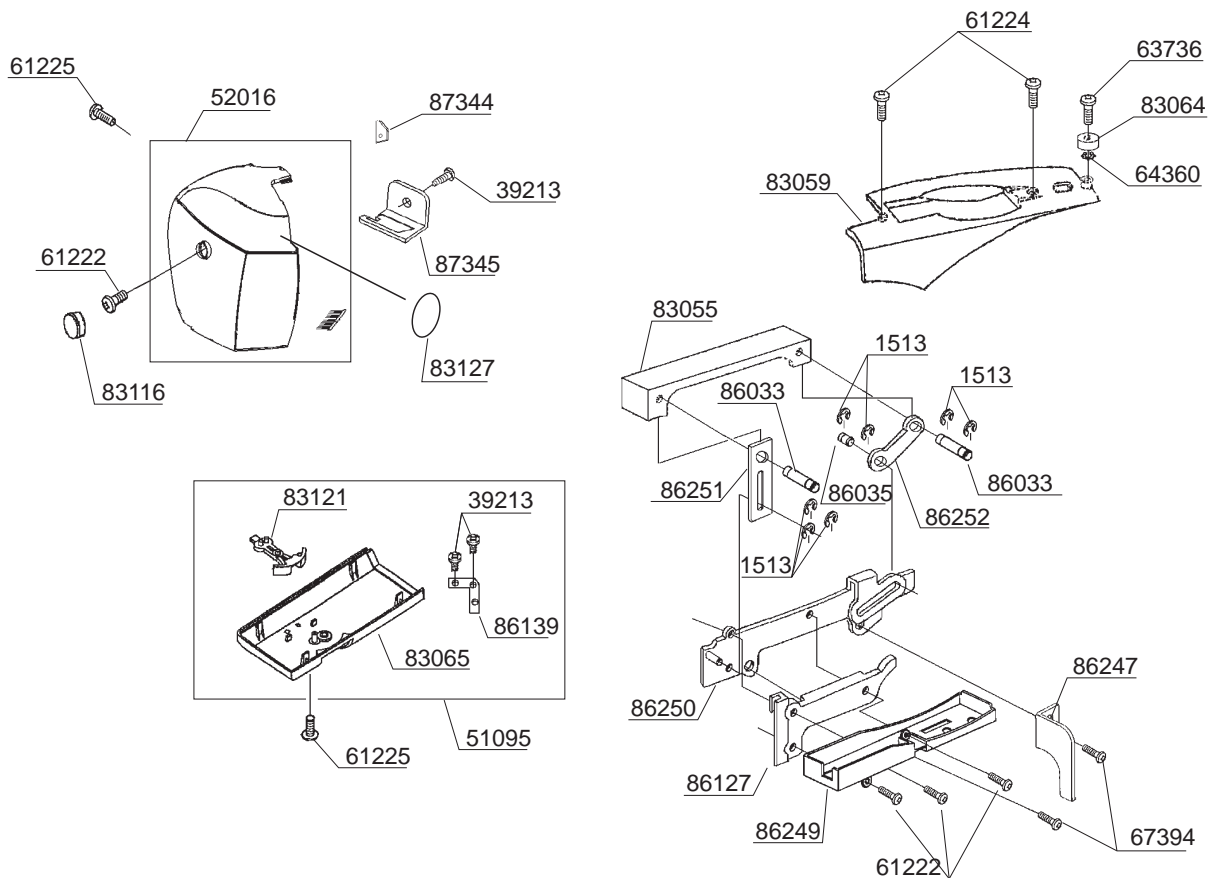
G**H**

J

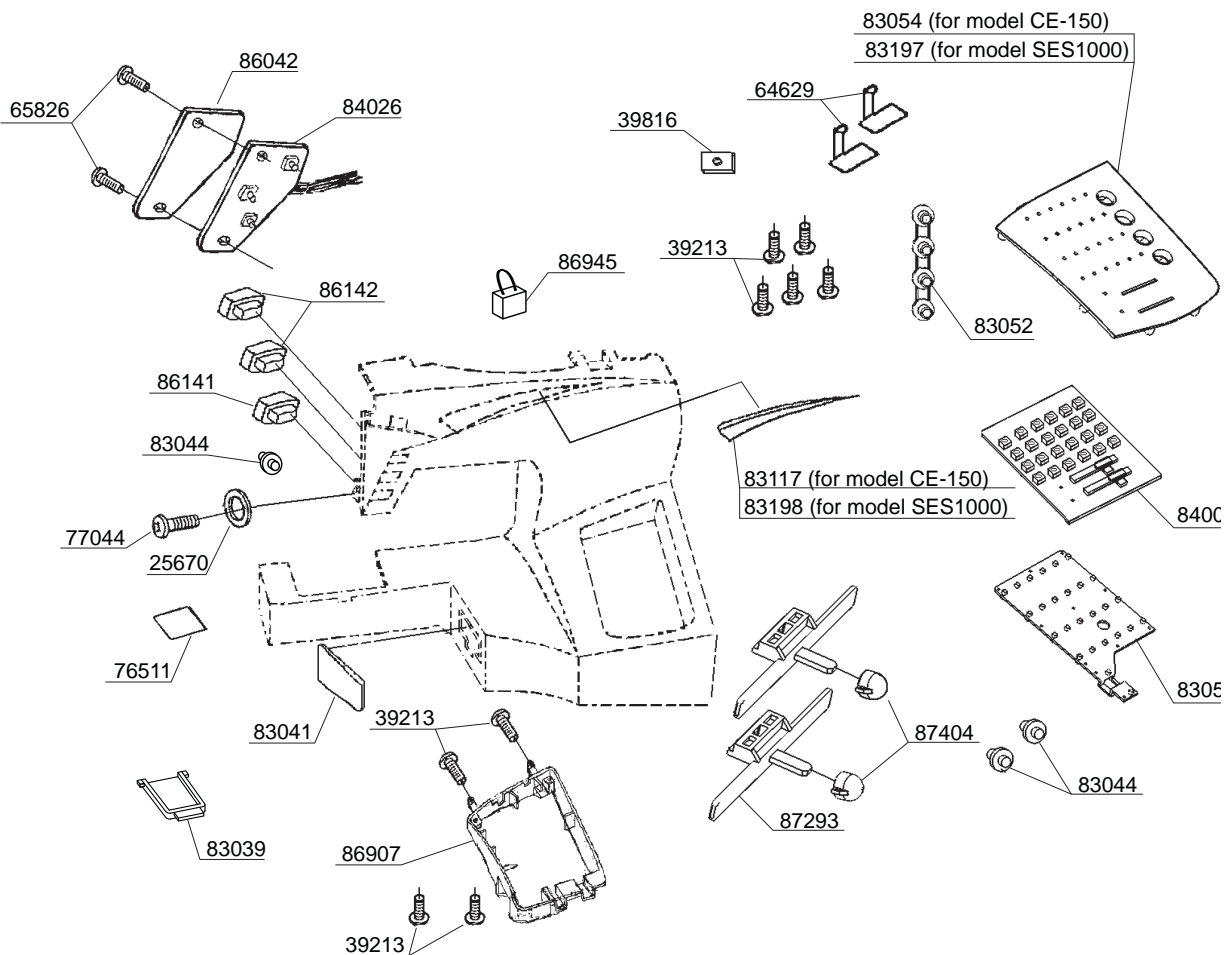


K

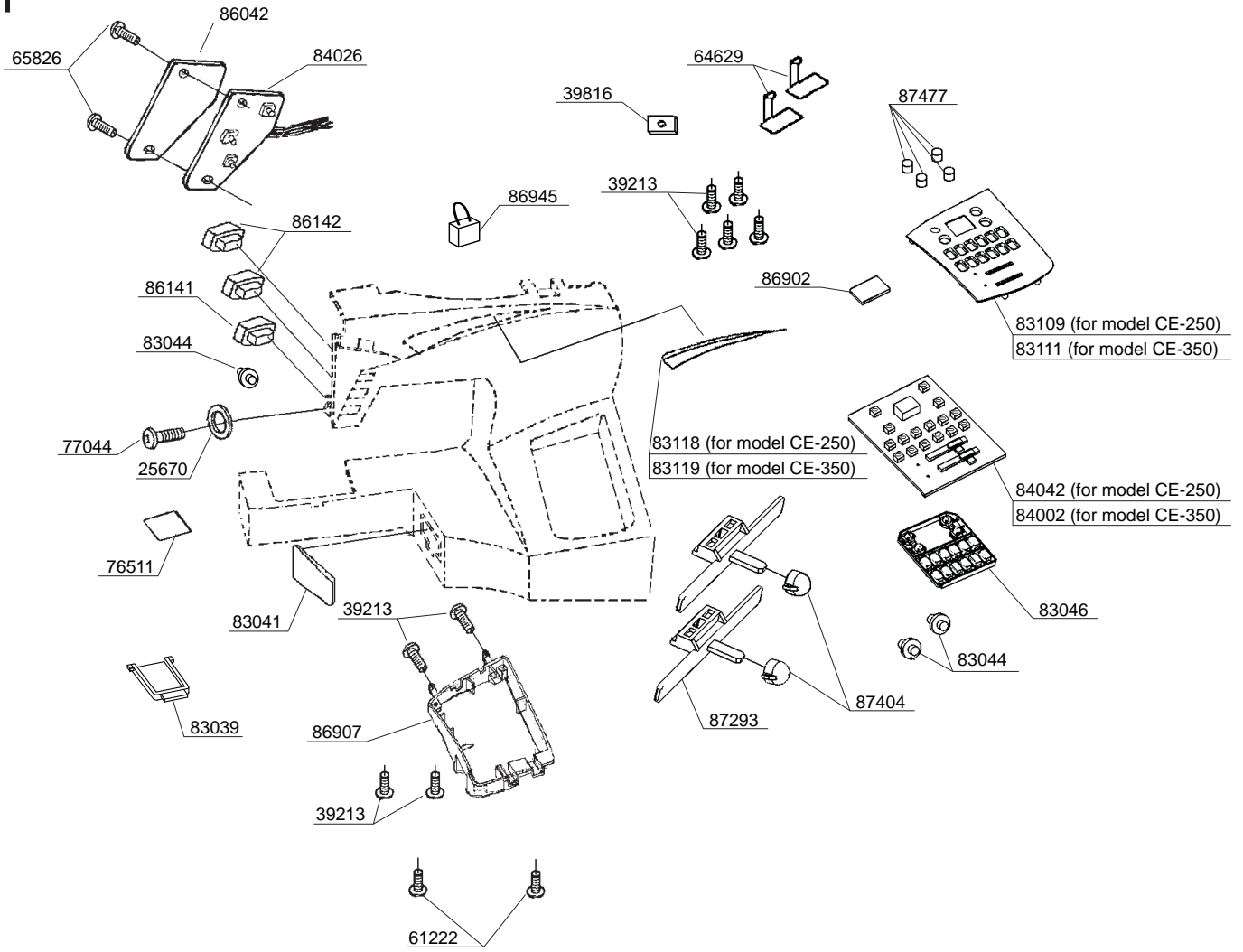




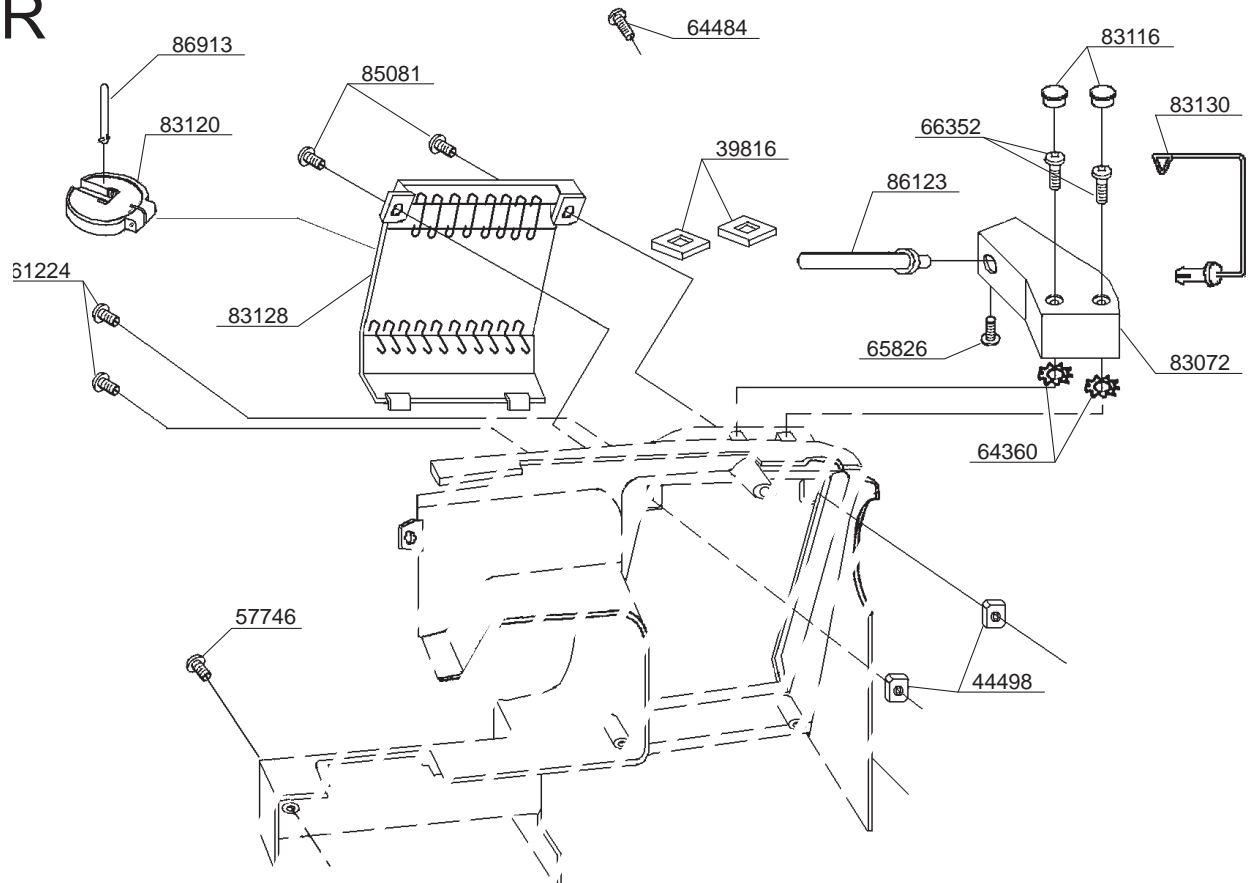
CE-150/SES1000

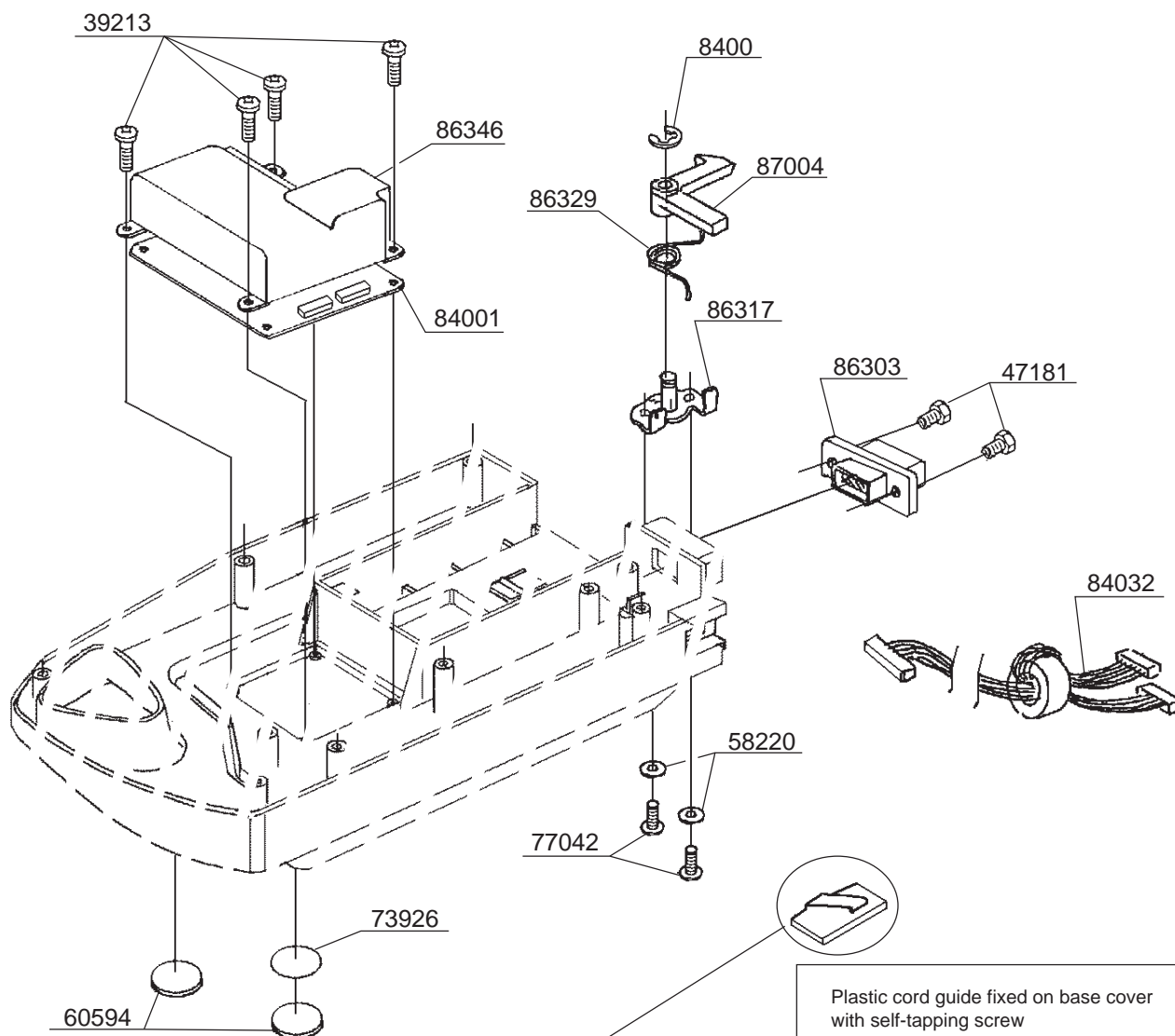


P



R





Steel cord guide with double-faced adhesive tape

89010

Double-faced adhesive tape with cushion in between (0.9 mm thickness)

(Temporary measures for production and products in the market)

Spec. of double-faced adhesive tape

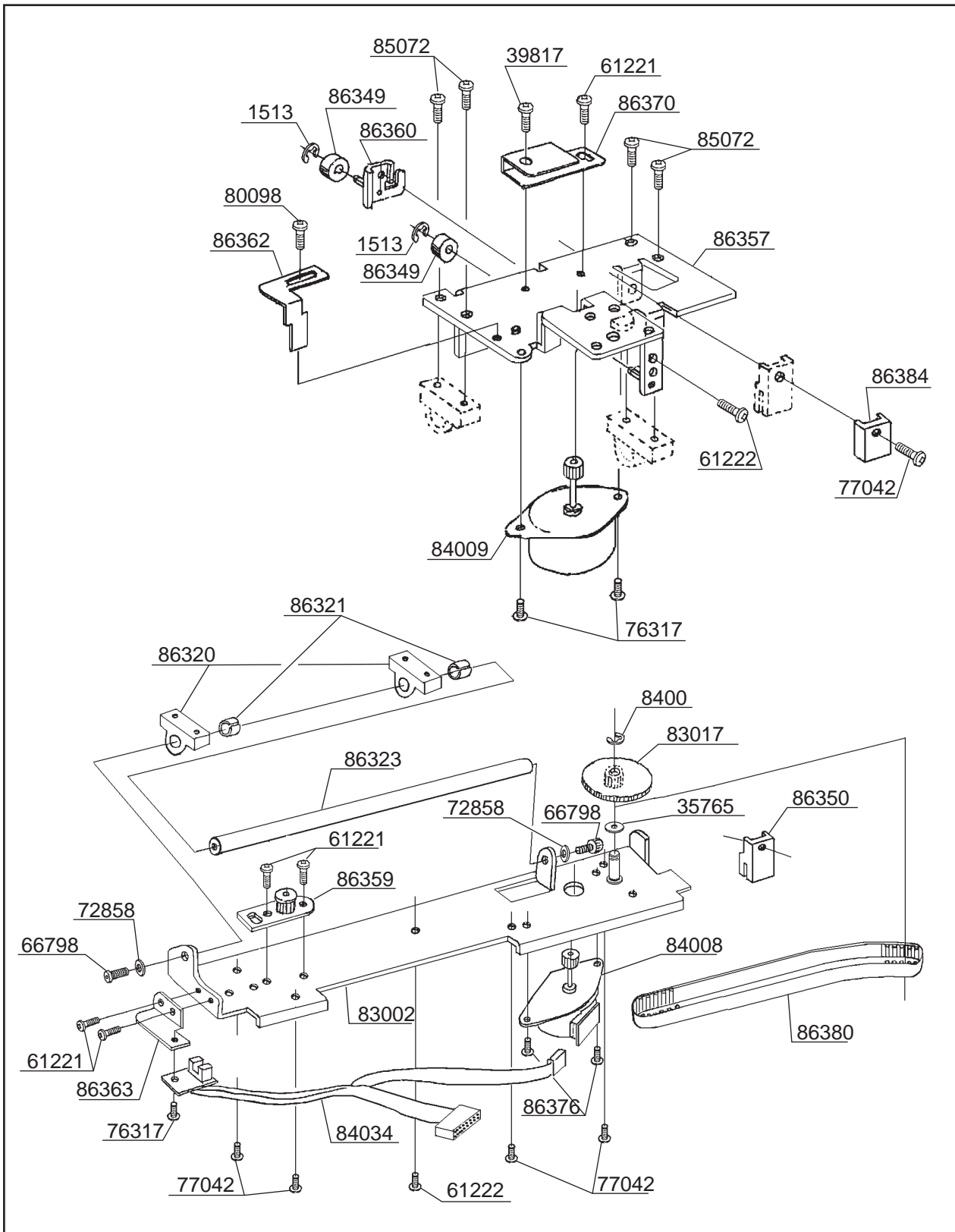
Item	Unit	Result	Test method
90 degree adhesive strength	N/25 mm	24,7	JIS Z 0237
Rolling ball tack	1/32"	15	JIS Z 0237
Shear adhesion	mm	0,1	JIS Z 0237

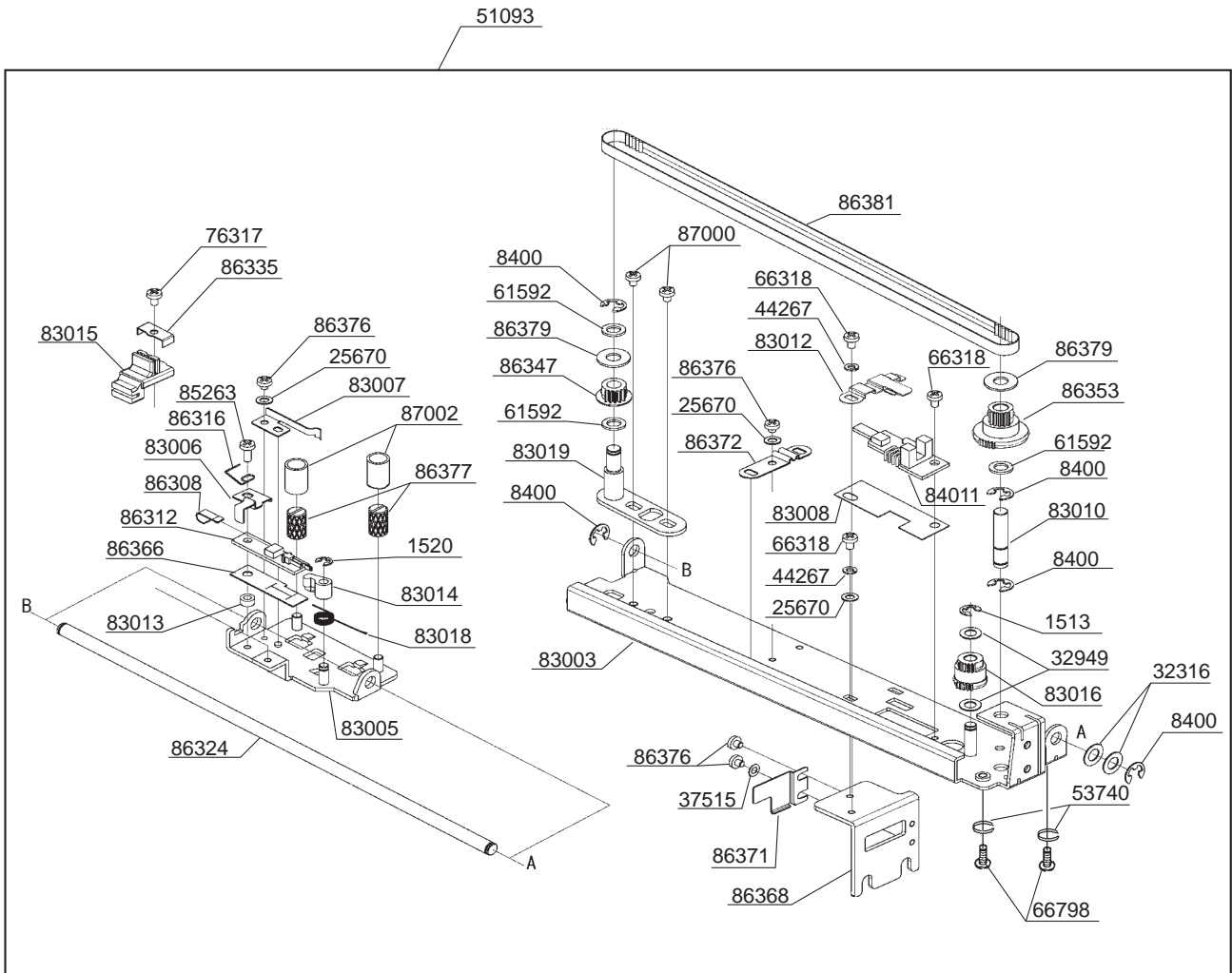
Plastic cord guide fixed on base cover with self-tapping screw

58981

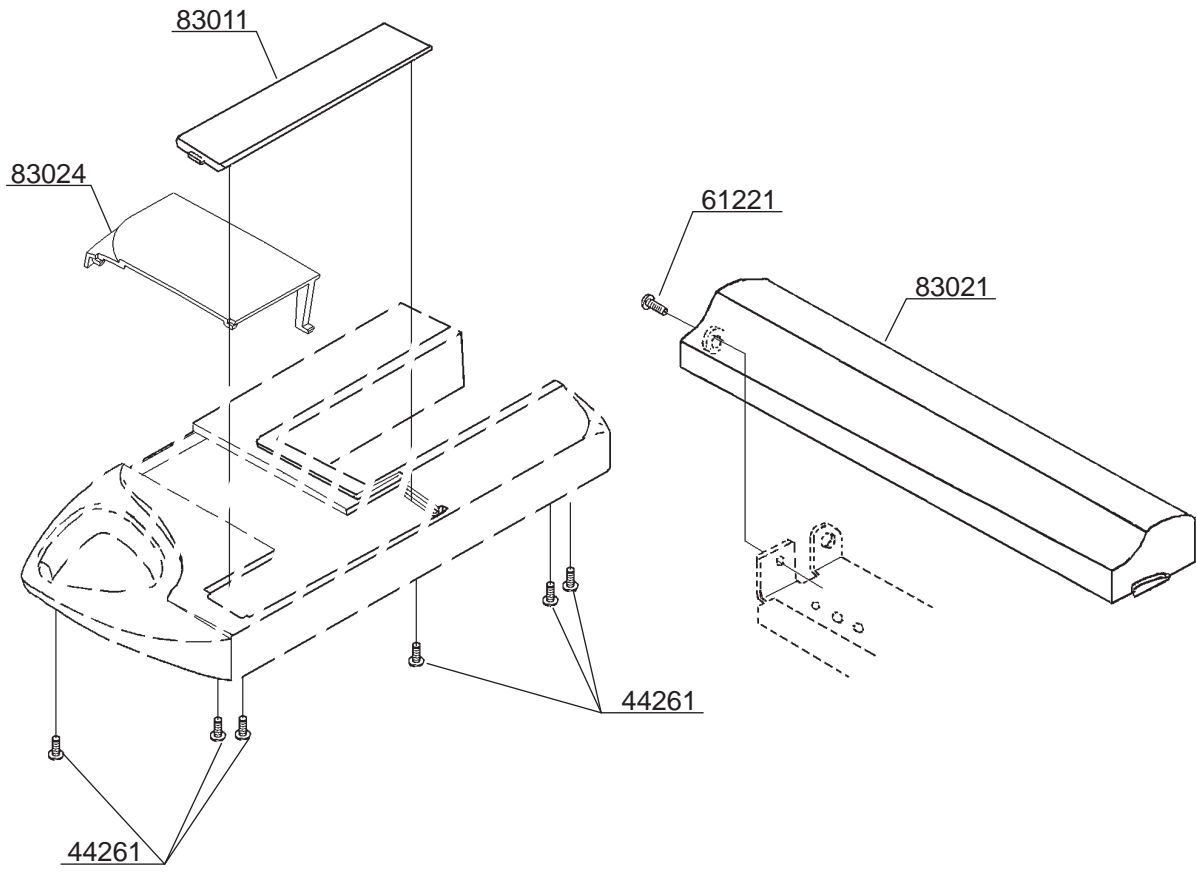
58741

(Permanent measures with the mould modified)

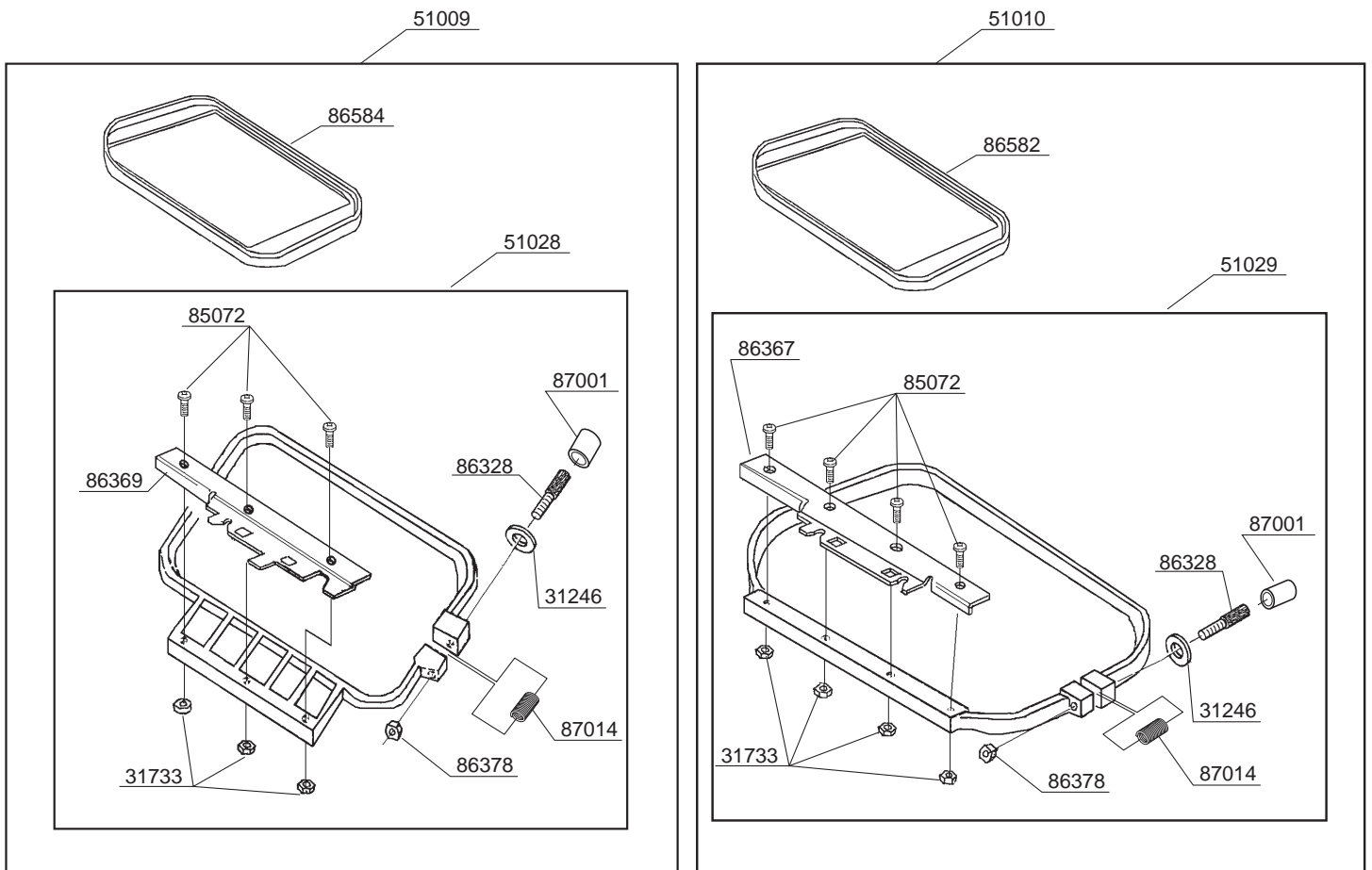


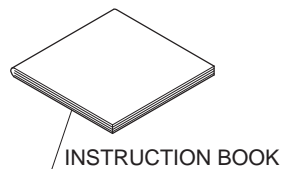
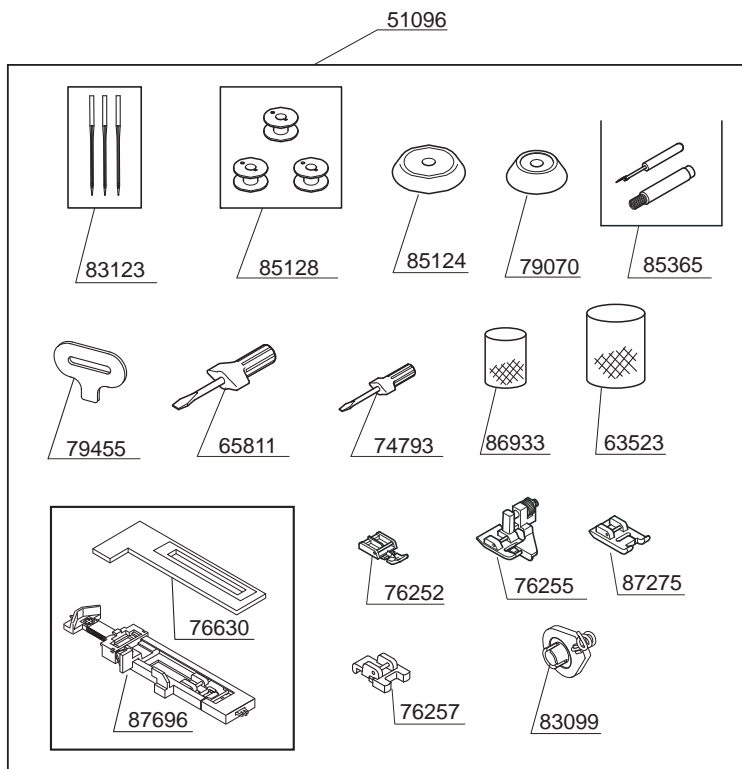


V

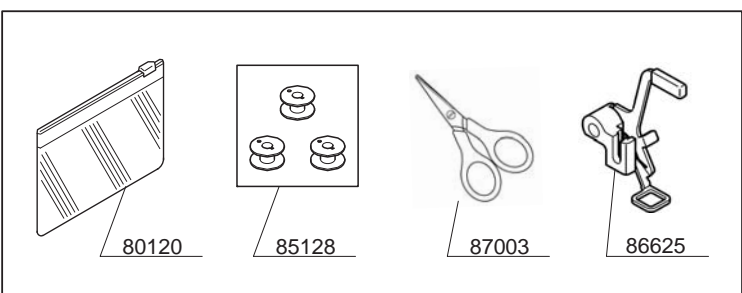
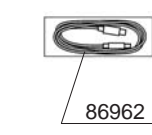


Y



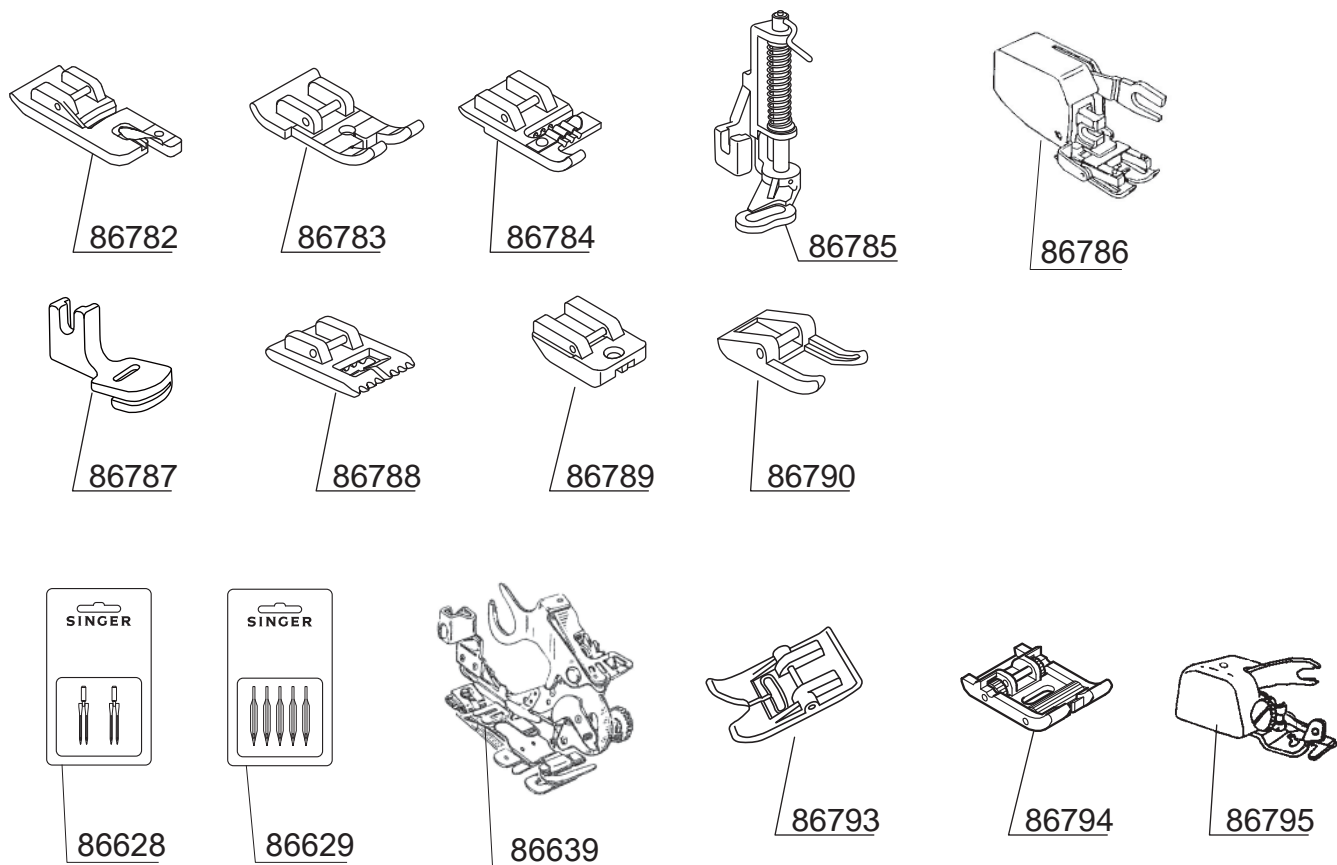


- 85338 (UK, MALAYSIA ONLY)
- 85339 (230V)
- 85343 (AUSTRALIA ONLY)
- 85349 (KOREA ONLY)
- 85354 (CHINA ONLY)
- 87534 (120V)



PART NO.	DESCRIPTION
51012	ACCESSORY SET
51096	ACCESSORY SET
63523	THREAD SPOOL NET (LONG)
65811	LARGE SCREW DRIVER
74793	SMALL SCREW DRIVER
76252	ZIPPER FOOT
76255	BLIND STITCH FOOT
76257	BUTTON SEWING FOOT
76630	BUTTONHOLE PLATE
79070	SPOOL PIN CAP
79455	LARGE SCREW DRIVER
80120	ACCESSORY VINYL BAG
82075	INSTRUCTION BOOK (E/F/S) (for model CE-250,350)
82076	INSTRUCTION BOOK (E/F/S) (for model CE-150)
82085	INSTRUCTION BOOK (I/D/G) (for model CE-150)
82086	INSTRUCTION BOOK (I/D/G) (for model CE-250,350)
82104	INSTRUCTION BOOK (Fin/Dan/Swe) (for model CE-150)
82105	INSTRUCTION BOOK (Fin/Dan/Swe) (for model CE-250,350)
82106	INSTRUCTION BOOK (Turkish/Eng/Fre) (for model CE-250,350)
82132	INSTRUCTION BOOK (Fre/Gree/Eng) (for model CE-150)
82180	INSTRUCTION BOOK (Russia) (for model CE-150)
82181	INSTRUCTION BOOK (Russia) (for model CE-250,350)
82215	INSTRUCTION BOOK (E/F/S) (for model SES1000)
83099	REMOVABLE THREAD GUIDE
83123	NEEDLE
84349	POWER CORD (KOREA ONLY)
85124	SPOOL PIN CAP
85128	BOBBIN
85338	POWER CORD (UK, MALAYSIA ONLY)
85339	POWER CORD (230V)
85343	POWER CORD (AUSTRALIA ONLY)
85354	POWER CORD (CHINA ONLY)
85365	BUTTONHOLE OPENER / BRUSH
86625	EMBROIDERY PRESSER FOOT

PART NO.	DESCRIPTION
86933	THREAD SPOOL NET (SHORT)
86962	USB CABLE
87003	SCISSORS
87275	SATIN FOOT
87532	FOOT CONTROL
87534	POWER CORD (120V)
87696	BUTTONHOLE FOOT



Optional Accessory

PART NO.	DESCRIPTION
86628	TWIN NEEDLES (EX TPO)
86629	WING NEEDLES (EX TPO)
86639	RUFFLER (EX TPO)
86782	ROLLED HEMMER (EX TPO)
86783	1/4-INCH FOOT (EX TPO)
86784	CORDING FOOT (EX TPO)
86785	DARNING & EMBROIDERY FOOT (EX TPO)
86786	EVEN FEED FOOT (EX TPO)
86787	GATHERING FOOT (EX TPO)
86788	PINTUCK FOOT (EX TPO)
86789	INVISIBLE ZIPPER FOOT (EX TPO)
86790	OPEN TOE FOOT (EX TPO)
86793	TEFLON FOOT (EX TPO)
86794	ROLLER FOOT (EX TPO)
86795	SIDE CUTTER (EX TPO)

PART NO.	DESCRIPTION	PAGE	PART NO.	DESCRIPTION	PAGE
1424	WASHER	M	63736	TAPPING SCREW	N
1504	E7 CLIP-ON-WASHER	G,D,J,K,N,T,U	63796	M3 SCREW	J,K
1520	E3 CLIP-ON-WASHER	C,D,E,K,M,U	63805	WASHER	J,K
1520	E3 CLIP-ON-WASHER	U	64051	M4 SCREW	E
8400	E5 CLIP-ON-WASHER	F,J,M,S,T,U,	64203	TAPPING SCREW	A
8466	WASHER	M	64360	TOOTHED WASHER	N,R
9098	WASHER	K	64484	TAPPING SCREW	R
10963	E6 CLIP-ON-WASHER	B,C	64629	CORD GUIDE	O,P
25670	WASHER	O,P,U	64653	M3 SCREW	D,H,K
26934	#8 SCREW	D	64686	M4 HEX SCREW	J
31246	WASHER	Y	65818	M4 BOLT	D,M
31733	M3 NUT	Y	65826	M3 SCREW	O,P,R
32316	WASHER	U	66052	M4 SCREW	D
32949	WASHER	H,J,U	66124	RUBBER FOOT	A
35765	WASHER	T	66235	SECURING PLATE	B,G,H
35818	WASHER	M	66318	M3 SCREW	U
35942	WASHER	C	66352	M4 PHILLIPS SCREW	R
37515	WASHER	H,U	66437	BUSH	B
39163	TAPPING SCREW	M	66474	M5 SCREW	G
39213	M3 SCREW	N,O,P,S	66481	M4 STUD SCREW	H
39542	CLIP-ON-WASHER	C	66725	M4 SCREW	B,D,G,H
39816	M4 SQUARE NUT	O,P,R	66727	M4 SCREW	B,E
39817	M4 PHILLIPS SCREW	H,T	66787	WASHER	B
42359	CRINKLE WASHER	C	66798	M4 SCREW	T,U
43389	THRUST WASHER	B	67394	M5 PHILLIPS SCREW	N
43390	THRUST WASHER	G,H,	67444	COLLAR	G,H
43392	THRUST WASHER	D,G,M	67447	M5 SCREW	B,G
43393	WASHER	D	67533	RUBBER CUSHION	A
43858	WASHER	H	68152	BALL BUSH	B
43930	SPRING PIN	B	68332	EXTENSION SPRING	C
44261	M4 SCREW	V	68891	WASHER	B
44267	SPRING WASHER	U	68922	M4 SCREW	J
44498	M3 NUT	K,R	72791	M4 SCREW	H
47181	TAPPING SCREW	S	72826	EXTENSION SPRING	H
51009	SMALL HOOP	Y	72858	WASHER	C,T
51010	LARGE HOOP	Y	73299	M4 TORQUE NUT	A,H
51012	ACCESSORY SET	Z	73371	M6 SCREW	B
51028	OUTER FRAME (S) SET	Y	73434	M4 PHILLIPS SCREW	B,D,G,H
51029	OUTER FRAME (L) SET	Y	73471	FEED REGULATING CAM	B
51045	BOBBIN CASE SET	G	73472	COLLAR	B
51058	RETAINER SET	G	73900	M3 SCREW	C,D,E,L,M
51092	X-UNIT ASSY	T	73926	SPACER	S
51093	Y-UNIT ASSY	U	75047	CLUTCH	B
51094	THREAD GUIDE PLATE UNIT	F	75060	TAKE-UP LEVER CRANK	B
51095	BOTTOM COVER SET	N	75131	RATCHET B	C
51096	ACCESSORY SET	Z	75163	M4 STUD SCREW	C
52016	FACE COVER WITH BRUSH	N	75183	M4 STUD SCREW	C
53403	WASHER	B	75194	TORSION SPRING	B
53740	SPRING WASHER	U	75196	TORSION SPRING	C
57746	TAPPING SCREW	R	75207	CS-CLIP	B
58220	WASHER	C	75226	SQUARE NUT	C
58220	WASHER	J,S	76025	FEED DOG BASE	H
58741	CORD GUARD	C,E,L,S	76027	SHUTTLE RACE BASE	G
58981	M3 SCREW	S	76104	FEED DOGS	H
60162	KNOCK PIN	G	76114	COVER GUIDE (R)	E
60594	RUBBER FOOT	S	76122	FEED BASE ADJUSTMENT	H
61221	M4 PHILLIPS SCREW	E,J,K,L,T,V,	76125	SPRING HOOK PLATE	H
61222	M4 PHILLIPS SCREW	D,E,N,O,PT	76134	SCREW	G
61224	M4 PHILLIPS SCREW	B,C,L,M,N,R,	76136	BELT METAL	G
61225	M4 PHILLIPS SCREW	N	76137	SHUTTLE RACE SHAFT	G
61227	E6 PHILLIPS SCREW	A	76141	BALL BUSHING	G,H
61341	M4 SCREW	A	76158	RELEASE LEVER	E
61381	CRINKLE WASHER	H	76159	COMPRESSION LEVER	E
61592	WASHER	U	76203	OILING CORD	G
61770	BALL BUSHING	G,H	76205	TORSION SPRING	G
62215	M4 NUT	J	76252	ZIPPER FOOT	Z
63278	PRESSER BAR	E	76317	M3 PHILLIPS SCREW	C,G,J,U
63524	M3 BOLT	K	76324	M4 SCREW	H
63560	M4 PHILLIPS SCREW	M	76511	SEAL	O,P

PART NO.	DESCRIPTION	PAGE	PART NO.	DESCRIPTION	PAGE
76547	THREAD CONTROL PLATE	E	83046	PATTERN SWITCH	P
76630	BUTTONHOLE PLATE	Z	83050	HAND WHEEL	B
77035	M4 PHILLIPS SCREW	B,H	83052	BUTTON	O
77041	UNIT Y FASTENER	C,E,J,L,M,	83053	LED PANEL	O
77042	M4 PHILLIPS SCREW	A,C,D,E,F,H,K,L,M,S,T	83054	CONTROL PANEL	O
77043	FELT	D,E	83055	HANDLE	N
77044	M3 PHILLIPS SCREW	C,D,O,P	83057	FEED CONTROL REGULATOR	J
77057	M3 SCREW	E	83058	SECURING PLATE	J
77527	SENSOR COVER	J,K	83059	ROOF COVER	N
79491	SET SCREW	E	83061	TENSION SENSOR COVER	C
80050	TUBE	A	83063	LEG	A
80052	UNITY FASTENER	M	83064	BOBBIN WINDER LATCH	N
80065	#7 SCREW FOR SHANK	E	83065	BOTTOM COVER	N
80070	COLLAR	A	83072	SPOOL PIN HOLDER (A)	R
80096	M2 PHILLIPS SCREW	E	83077	REFERENCE SEET	A
80098	M3 SCREW	T	83081	MOUNTING BRACKET	J
80250	#7 SCREW FOR SHANK (ITALY ONLY)	E	83082	LED LIGHT HOLDER	E
80277	RATCHET A	C	83083	LED LIGHT PLATE (B1)	E
82085	INSTRUCTION BOOK (I/D/G) (for model CE-150)	Z	83084	LED LIGHT PLATE (B2)	E
82086	INSTRUCTION BOOK (I/D/G) (for model CE-250,350)	Z	83089	SECURING PLATE	K
82104	INSTRUCTION BOOK (Fin/Dan/Swe) (for model CE-150)	Z	83102	LEG COVER (CE-150)	A
82105	INSTRUCTION BOOK (Fin/Dan/Swe) (for model CE-250,350)	Z	83103	LEG COVER (CE-250)	A
82106	INSTRUCTION BOOK (Turkish/Eng/Fre) (for model CE-250,350)	Z	83104	LEG COVER (CE-350)	A
82132	INSTRUCTION BOOK (Fre/Gree/Eng) (for model CE-150)	Z	83105	BOTTOM COVER (CE-150)	A
82180	INSTRUCTION BOOK (Russia) (for model CE-150)	Z	83106	BOTTOM COVER (CE-250)	A
82181	INSTRUCTION BOOK (Russia) (for model CE-250,350)	Z	83107	BOTTOM COVER (CE-350)	A
82215	INSTRUCTION BOOK (E/F/S) (for model SES1000)	Z	83109	CONTROL PANEL (CE-250)	P
83002	X BASE	T	83111	CONTROL PANEL (CE-350)	P
83003	Y BASE	U	83115	ACCESSORY BOX SET	A
83005	Y MOVING PLATE	U	83116	CAP	N,R
83006	Y SENSOR PLATE	U	83117	PANEL	O
83007	LEAF SPRING	U	83118	PANEL (for model CE-250)	P
83008	INSULATION SHEET	U	83119	PANEL (for model CE-350)	P
83010	φ6 SHAFT	U	83120	SPOOL PIN HOLDER (B)	R
83011	COVER	V	83121	DROP KNOB	N
83012	CORD GUIDE (D)	U	83122	NEEDLE	D
83013	SPACER	U	83124	THREAD PLATE	C
83014	HOOP SWITCH	U	83125	THREAD REGULATE PLATE	C
83015	BELT HOLDER (Y)	U	83127	SEAL	N
83016	GEAR (Y)	U	83128	BACK COVER	R
83017	T PULLEY & GEAR (X)	T	83129	REFERENCE SEET	A
83018	SPRING	U	83130	THREAD GUIDE POLE	R
83019	T PULLEY BASE (Y)	U	83132	NEEDLE CLAMP SET	D
83021	CARRIAGE	V	83197	CONTROL PANEL (for model SES1000)	O
83024	TOP COVER	V	83198	PANEL (for model SES1000)	O
83025	MOTOR BRACKET	K	83199	BOTTOM COVER (for model SES1000)	A
83026	Z-Z CONNECTING ROD	K	83200	LEG COVER (for model SES1000)	A
83027	ZIGZAG DRIVE GEAR	K	84001	CIRCUIT BOARD	S
83028	ZZ LIMITING PLATE	K	84002	PC BOARD (for model CE-350)	P
83029	SENSOR SUP. LEVER	K	84003	CIRCUIT BOARD	O
83031	FEED SENSOR BRACK	J	84004	SWITCH HARNESS	M
83032	PINION GEAR	J	84006	STEP MOTOR	J
83033	HEADED PIN	J	84007	STEP MOTOR	K
83034	SWITCH BRACKET	M	84008	STEP MOTOR	T
83035	P-BAR MOUNTING PLATE	E	84009	STEP MOTOR	T
83036	BRACKET A	L	84011	HARNESS	U
83037	BRACKET B	L	84015	TRANSFORMER (120V)	L
83039	LED COVER	O,P	84018	MAIN SHAFT SENSOR HARNESS	C
83041	CONNECTOR CAP	O,P	84019	THREAD SENSOR	C
83044	LED PANEL	O,P	84021	SENSOR UNIT	K
			84022	HARNESS FOR PULS MOTOR	J
			84023	F.C.JACK HARNESS	L
			84024	CONNECTING HARNESS	L
			84026	SWITCH HARNESS	O,P
			84029	MINI SWITCH	E
			84030	USB HARNESS	L
			84032	HARNESS	S
			84034	HARNESS	T
			84039	BH LEVER SWITCH	E

PART NO.	DESCRIPTION	PAGE	PART NO.	DESCRIPTION	PAGE
84040	SWITCH HARNESS (120V)	L	85227	PRESSER BAR BLOCK	E
84042	PC BOARD (CE-250)	P	85228	PLATE WITH PIN	F
84043	TRANSFORMER (230V)	L	85235	STOPPER	D
84060	MAIN CIRCUIT BOARD	M	85239	SECURING PLATE	G
84349	POWER CORD (KOREA ONLY) Z		85245	LEFT SPRING	D
85002	PRESSER BAR LIFTER	F	85247	SECURING PLATE	H
85003	BELT PULLEY	B	85251	WASHER	G
85005	NEEDLE BAR SUPPORT	D	85253	WASHER	B
85009	SLIDE BLOCK	J	85254	PLATE	J
85013	POSITIONING COLLAR	B	85257	RUBBER STOPPER	M
85014	FULCRUM BLOCK	D	85259	RUBBER CUSHION	M
85015	ZIGZAG PRESSER FOOT	E	85262	M2 SCREW	E
85016	PRESSER FOOT HOLDER	E	85263	M3 PHILLIPS SCREW	C,D,K,M,U
85017	BLANCER	B	85268	SENSOR BRACKET	C
85041	NEEDLE BAR	D	85270	COIL SPRING	C
85043	HEADED PIN	D	85274	M2 SCREW	C,M
85045	PIN	D	85302	MOTOR	M
85046	COLLAR	B	85318	FERRITE RING	M
85049	STUD SCREW	K	85332	SPACER	E
85049	STUD SCREW (NLA)		85333	SWITCH HARNESS (230V)	L
	→ORDER COMPLETE 83028	K	85338	POWER CORD (UK,MALAYSIA ONLY) Z	Z
85050	ECCENTRIC	D	85343	POWER CORD (AUSTRALIA ONLY) Z	Z
85052	PIN W / HEAD	H	85354	POWER CORD (CHINA ONLY) Z	Z
85054	CONNECTING WIRE	F	85355	SENSOR HARNESS	C
85055	EXTENSION SPRING	J	85358	COVER	C
85058	COLLAR	D	85400	BELT (L)	M
85059	EXTENSION SPRING	D	85403	TIMING BELT	B
85060	COMPRESSION SPRING	D	86004	FEED REGULATING ARM	H
85061	SPRING PIN	D	86006	CRANK SHAFT	B
85062	THREADER SHAFT SET	D	86007	SHAFT	B
85064	EXTENSION SPRING	E	86008	TAKE-UP LEVER	B
85065	COMPRESSION SPRING	E	86030	MAIN SHAFT	B
85066	EXTENSION SPRING	J	86032	HORIZONTAL FEED SHAFT	H
85068	CAP-BOLT	J	86033	SHAFT	N
85071	SHAFT#8	C	86034	M4 SCREW	J
85072	M3 SCREW	J	86035	SHAFT	N
85072	M3 SCREW	T,Y	86038	STUD SCREW	A
85074	M3 SCREW	M	86042	INSULATION SHEET	O,P
85075	SPRING PIN	D	86046	THREAD GUIDE	D
85076	TORSION SPRING	J	86047	CLIP	N
85081	SCREW	R	86080	SHUTTLE RACE	G
85102	PROTECTION SHEET	C	86123	SPOOL PIN (A)	R
85103	BELT PULLEY	B	86127	HANDLE GUIDE	N
85126	IDLER PULLEY	M	86130	SENSOR CAM	B
85128	BOBBIN	G,Z	86132	BOBBIN CASE	G
85129	BEVEL GEAR	G	86133	FEED LIFTING CAM	G
85130	MOTOR PULLEY	M	86136	BRUSH	G
85132	ENCODER	M	86137	BRUSH	N
85135	END CAP	C	86139	DROP KNOB PLATE	N
85137	FEED CONTROL GEAR	J	86140	SENSOR WHEEL	C
85138	TENSION ROLLER	B	86141	BUTTON (A)	O,P
85152	LEVER	D	86142	BUTTON (B)	O,P
85158	COLLAR	D	86149	JACK COVER	L
85162	WASHER	J	86151	SWITCH COVER	L
85174	COVER	C	86165	INSULATION BOX	A
85178	WASHER	B	86166	C.B. CONTAINER	M
85180	PLATE	J	86179	THREAD GUIDE PLATE	D
85182	CONTROL PLATE	E	86182	THREAD SENSOR 2	F
85184	LEAF SPRING	B	86184	BUSH	J
85188	IDLER PULLEY BRACKET	M	86194	SECURING PLATE	L
85189	TENSION ROLLER PLATE	B	86195	RELEASE LEVER	F
85191	FEED CONTROL ROD	J	86196	MOTOR BRACKET	J
85192	FEED-DOG BASE BRACKET	H	86201	MOTOR BRACKET	M
85206	SUPPORT	D	86204	STOPPER	M
85208	PLATE	D	86212	ENCODER FIXING PLATE	C
85209	SUPPORT PLATE	D	86216	COVER MOUNTING PLATE	D
85217	RETAINER	B	86217	SWITCH BRACKET	L
85221	ABUTMENT LEVER	C	86218	BOARD BRACKET	M
85226	PLATE WITH PIN	F	86228	COVER GUIDE (L)	E

PART NO.	DESCRIPTION	PAGE	PART NO.	DESCRIPTION	PAGE
86236	BASE PLATE	C	87008	WIRE SPRING	D
86239	BOBBIN CASE STOPPER	G	87010	THREADER ASSEMBLY	D
86247	LIMITING PLATE	N	87014	SPRING	Y
86249	HANDLE BASE COVER	N	87027	CORD BRACKET(A)	L
86250	HANDLE BRACKET	N	87033	CORD BRACKET B	L
86251	SLIDE LINK (LEFT)	N	87067	LED LIGHT HOLDER	E
86252	SLIDE LINK (RIGHT)	N	87068	SUPPORT PLATE	D
86262	HARNESS (A)	M	87183	SPRING	K
86270	CONNECTOR	M	87256	M3 SCREW	K
86279	BELT (S)	M	87262	M3 PHILLIPS SCREW	T
86303	CONNECTOR	S	87273	RING	J
86308	FLAT CABLE	U	87273	RING	K
86312	HOOP SWITCH UNIT	U	87288	PULLEY CAP	B
86316	CABLE GUIDE	U	87293	SLIDE LEVER	O,P
86317	SUPPORTING PLATE	S	87344	BLADE	N
86320	BEARING SUPPORT	T	87345	BLADE FIXTURE	N
86321	COLLAR	T	87404	KNOB	O,P
86323	SHAFT	T	87456	SHUTTLE RACE COVER	E
86324	SHAFT	U	87477	BUTTON	P
86328	HOOP ADJUSTING SCREW	Y	87605	LED LIGHT	E
86329	TORSION SPRING	S	87677	BH PLATE (A)	E
86335	PROTECTION PLATE (Y)	U	87679	BH PLATE (B)	E
86346	BOARD COVER	S	87680	BH PLATE (C)	E
86347	T PULLEY	U	87692	BH CANTILEVER	E
86349	GUIDE ROLLER	T	87693	BH PALTE	E
86350	BELT HOLDER	T	87694	LEAF SPRING	E
86353	T PULLEY & GEAR (Y)	U	87695	BH CANTILEVER SUPPORT	E
86357	X MOVING PLATE	T	87703	NEEDLE BAR CLAMP SET	D
86359	T PULLEY BASE (X)	T	88039	FINGER GUARD (ITALY ONLY)	E
86360	GUIDE ROLLER BASE	T	88112	INSULATION SHEET	E
86362	X SENSOR PLATE	T	89010	CORD GUIDE	S
86363	SENSOR FIXING PLATE	T			
86366	INSULATION SHEET	U			
86367	HOOP MOUNTING PLATE	Y			
86368	Y BASE SUPPORT PLATE	U			
86369	HOOP MOUNTING PLATE	Y			
86370	CORD GUIDE (A)	T			
86371	CORD GUIDE (B)	U			
86372	CORD GUIDE (C)	U			
86376	M3 SCREW	T,U			
86377	HOOP SECURING SCREW	U			
86378	M3 NUT	Y			
86379	WASHER	U			
86380	TIMING BELT (X)	T			
86381	TIMING BELT (Y)	U			
86384	PROTECTION PLATE	T			
86582	INNER FRAME (L)	Y			
86584	INNER FRAME (S)	Y			
86899	LOWER SHAFT	G			
86902	INDICATOR WINDOW	P			
86907	CIRCUIT BOARD HOLDER	O,P			
86910	PATTERN DRAWER	A			
86913	SPOOL PIN (B)	R			
86923	CONNECTOR BRACKET	M			
86926	SECURING PLATE	C			
86927	SECURING PLATE	C			
86928	BOBBIN WINDER COMPLETE	C			
86929	BOBBIN WINDER BASE	C			
86930	BOBBIN WINDER SHAFT	C			
86934	USB INSULATION COVER	L			
86945	JUMPER HARNESS	O,P			
86990	SECURING PLATE	A			
86996	NEEDLE PLATE	E			
86999	SPRING	C			
87000	M4 SCREW	U			
87001	VINYL TUBE	Y			
87002	VINYL TUBE	U			
87004	RELEASE LEVER	S			
87007	THREAD GUIDE	C			