

List of parts Sewing Machine

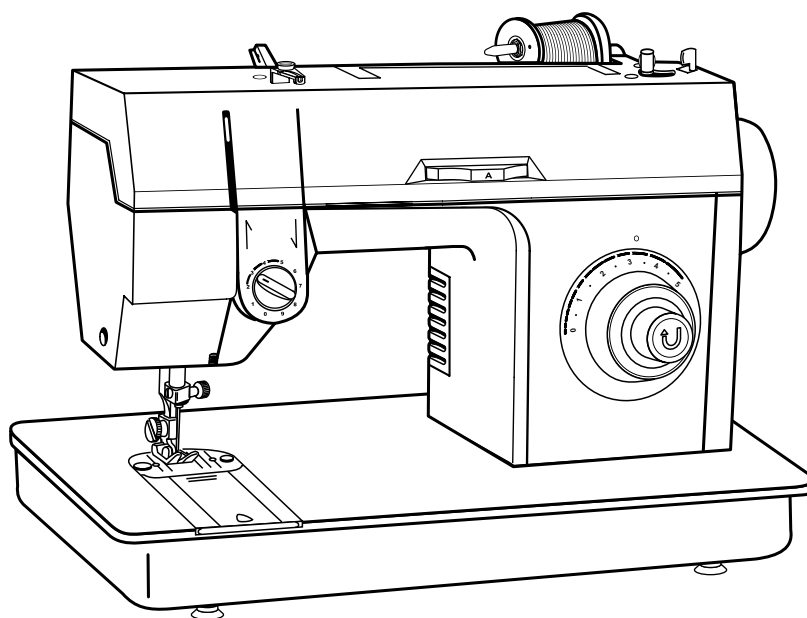
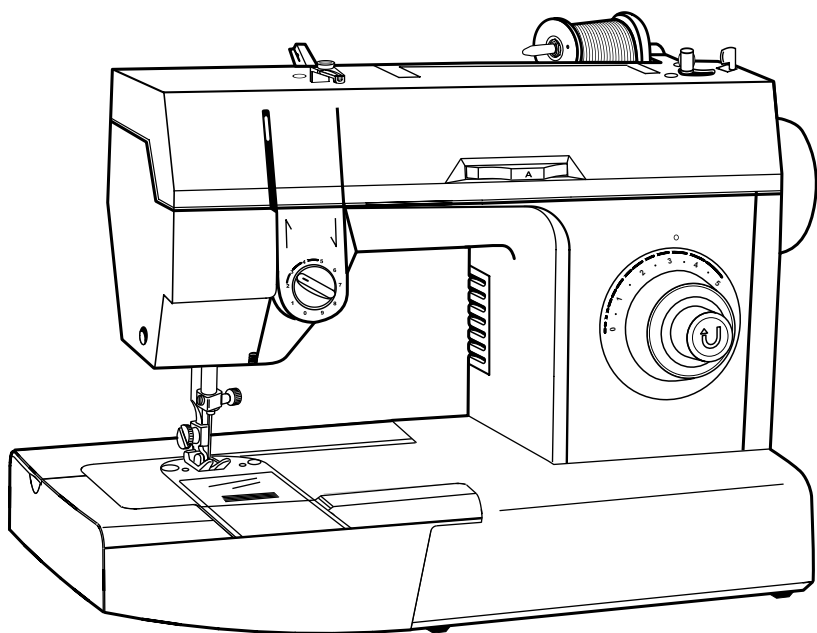
2802/2852 2808/2858

2809/2859

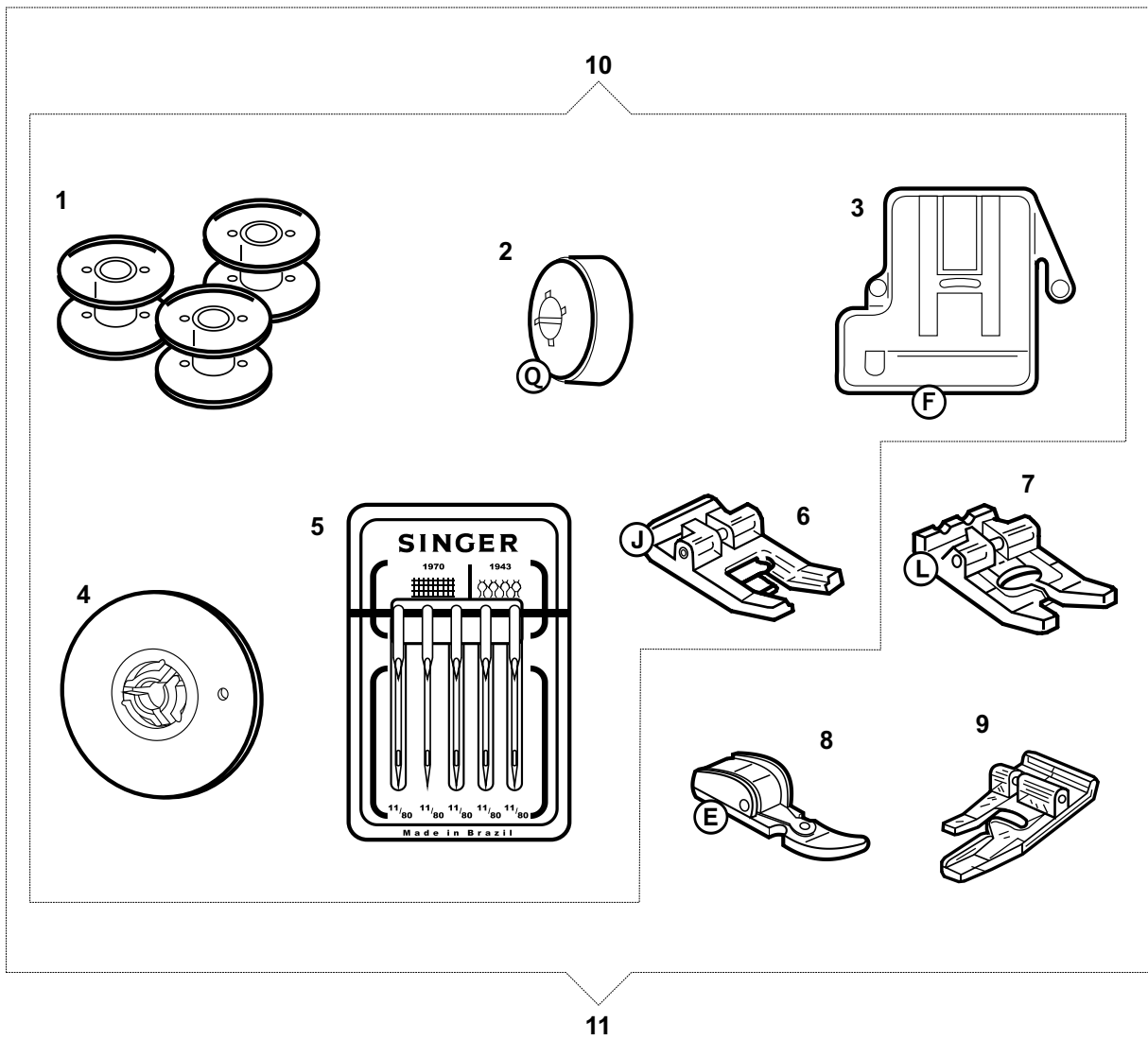
2810/2860 2818/2868



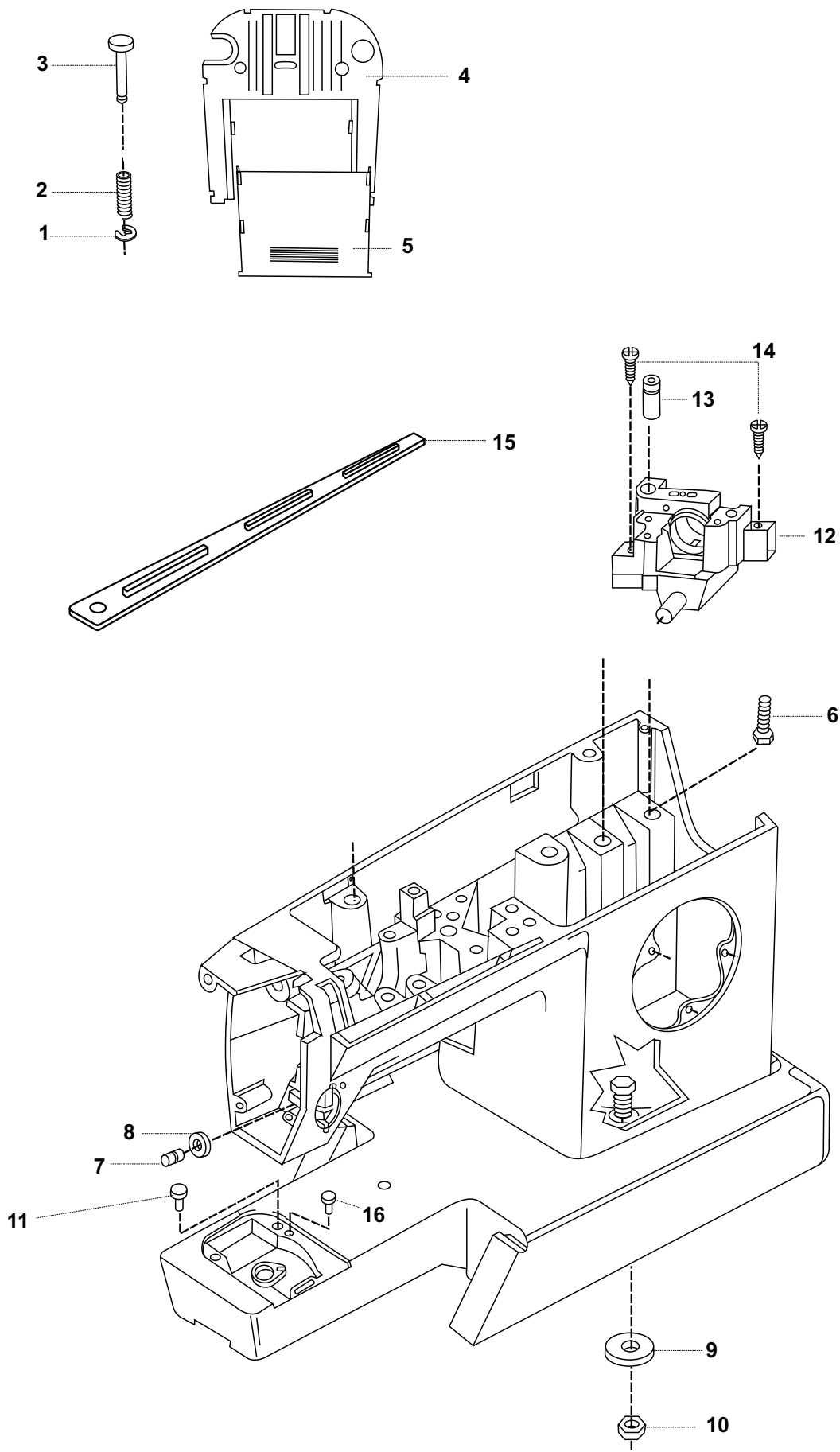
® A registered trademark of the "THE SINGER COMPANY LIMITED"



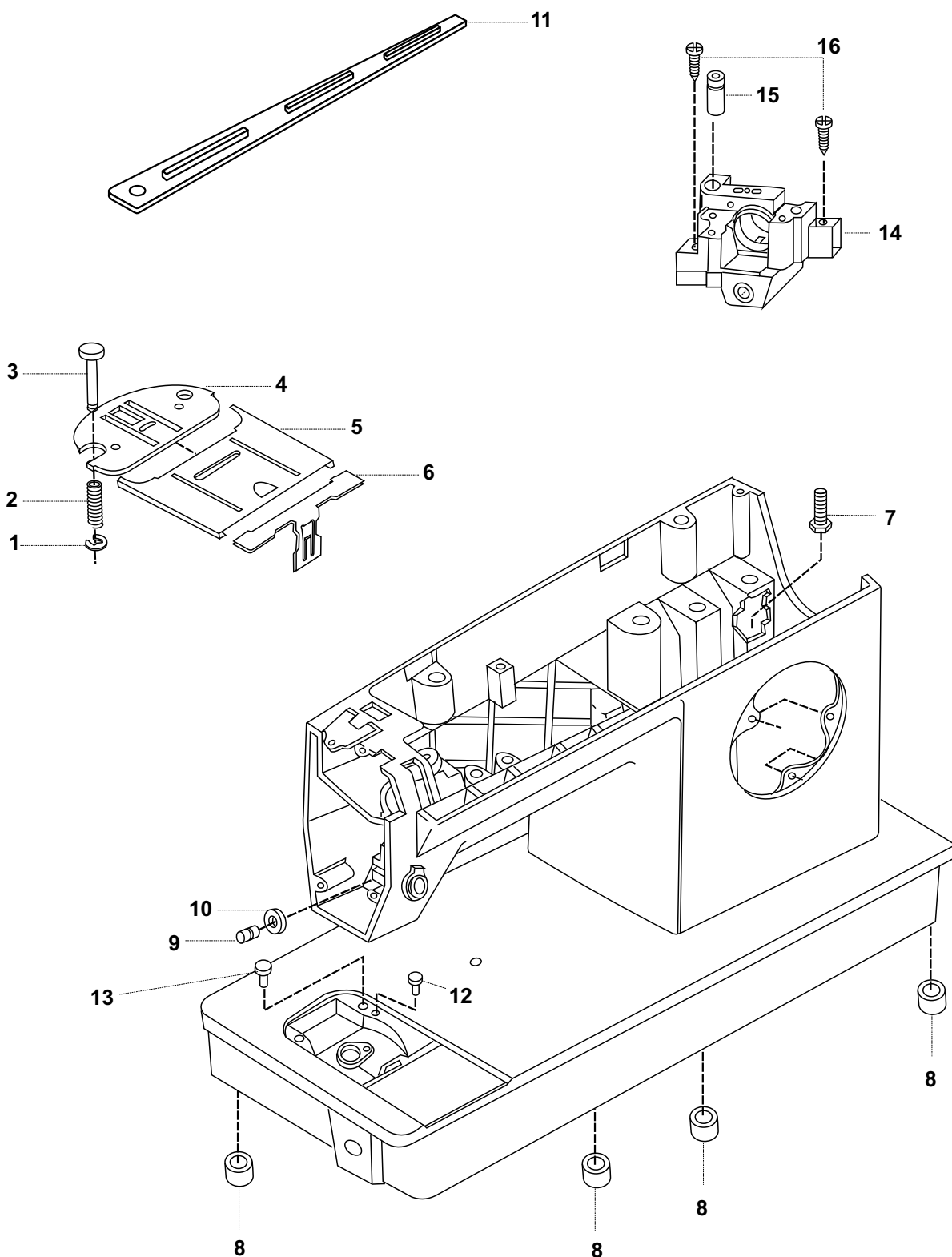
ATTACHMENT SET



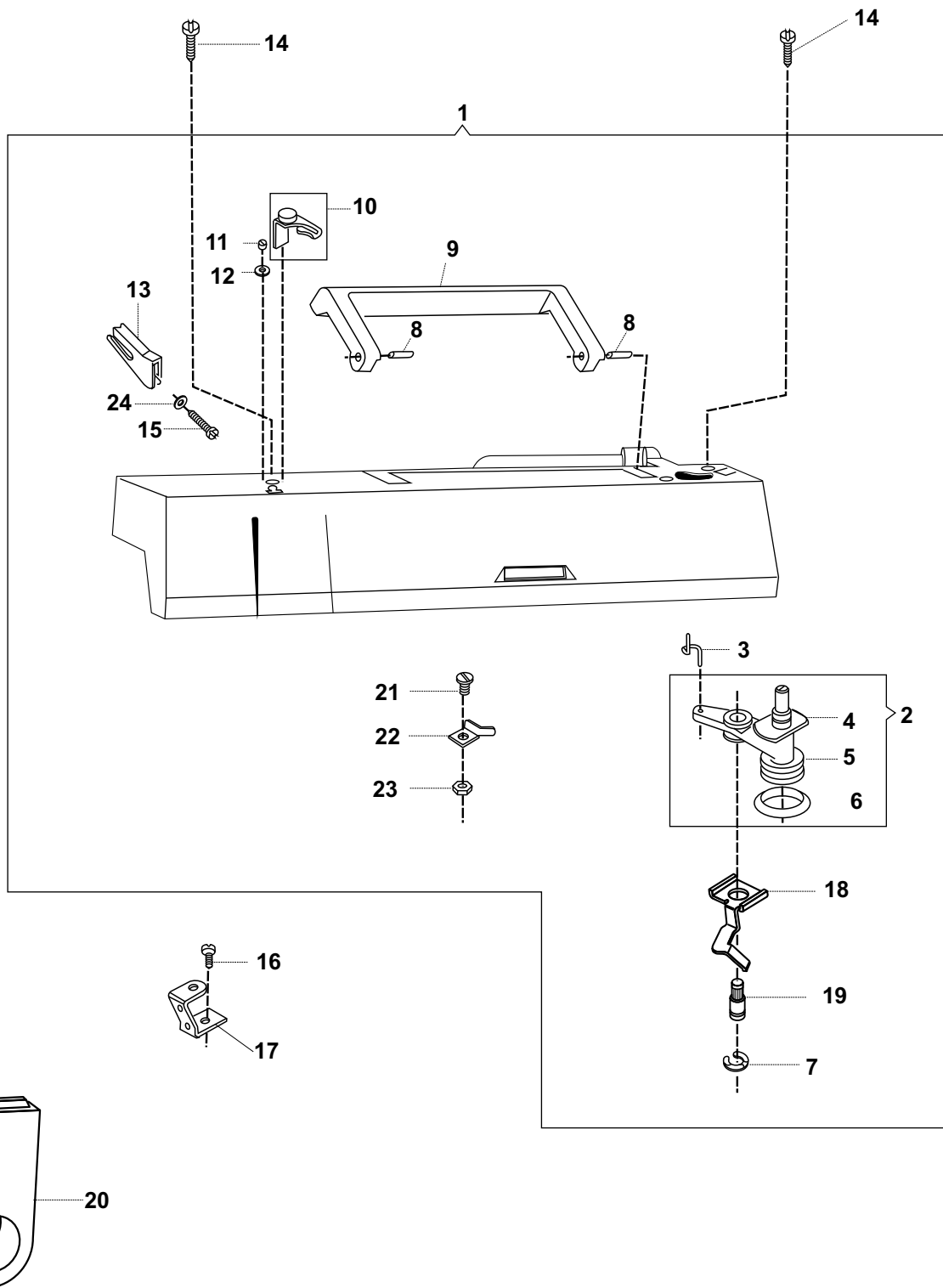
ARM AND BED, THROAT PLATE AND BED SLIDE (FREE ARM)



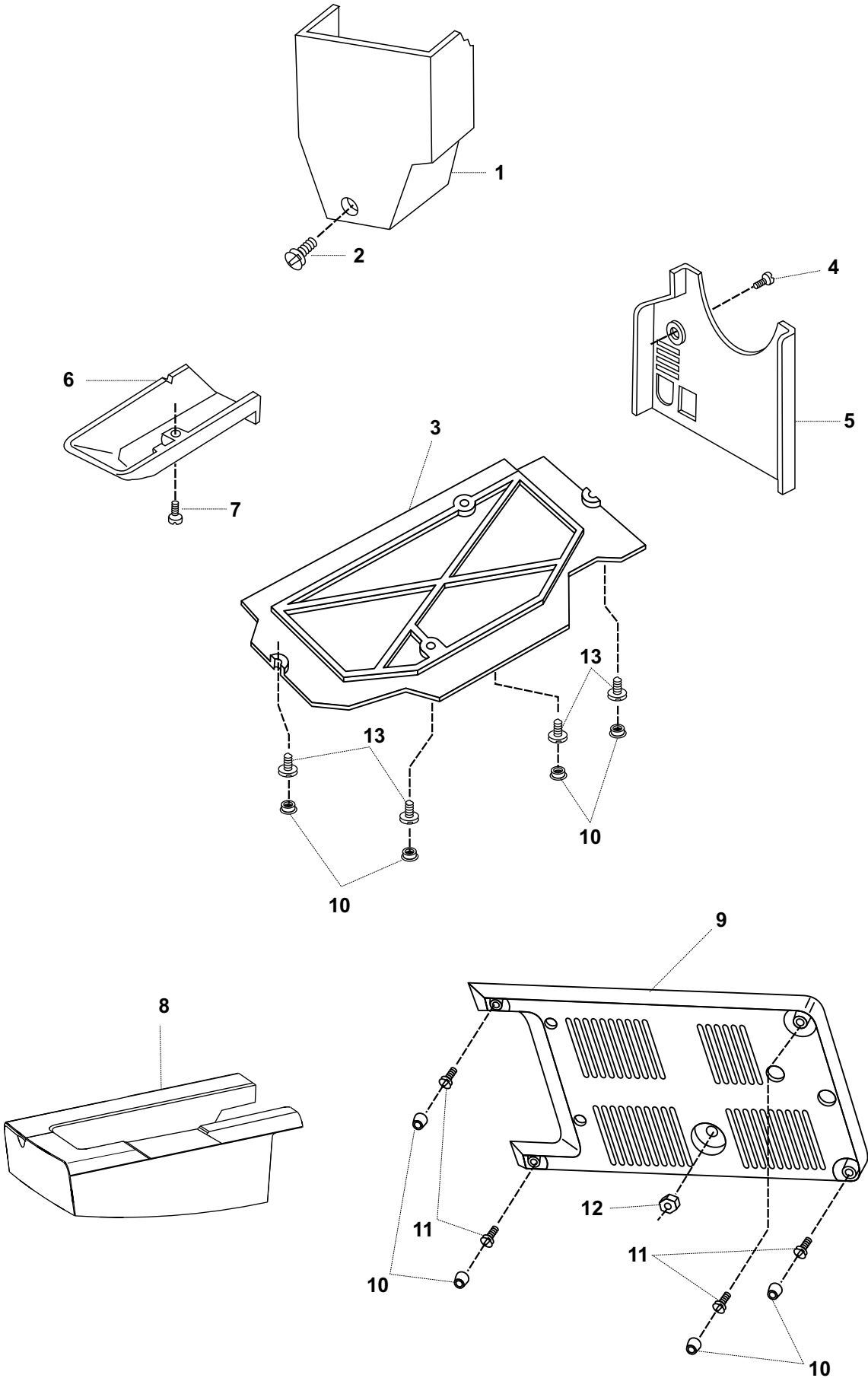
ARM AND BED, THROAT PLATE AND BED SLIDE (FLAT BED)



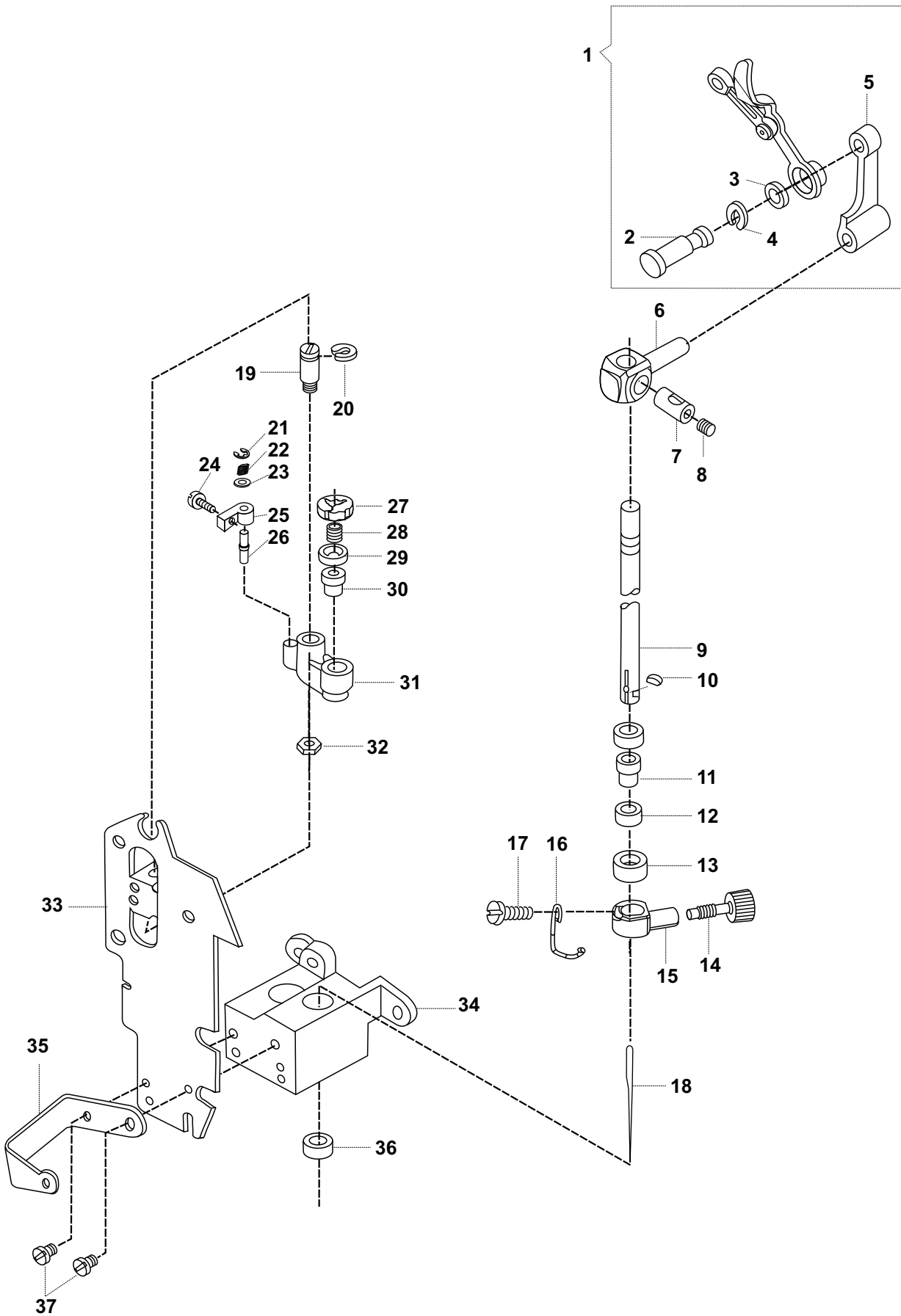
ARM TOP COVER AND SHROUDER



COVERS



NEEDLE BAR

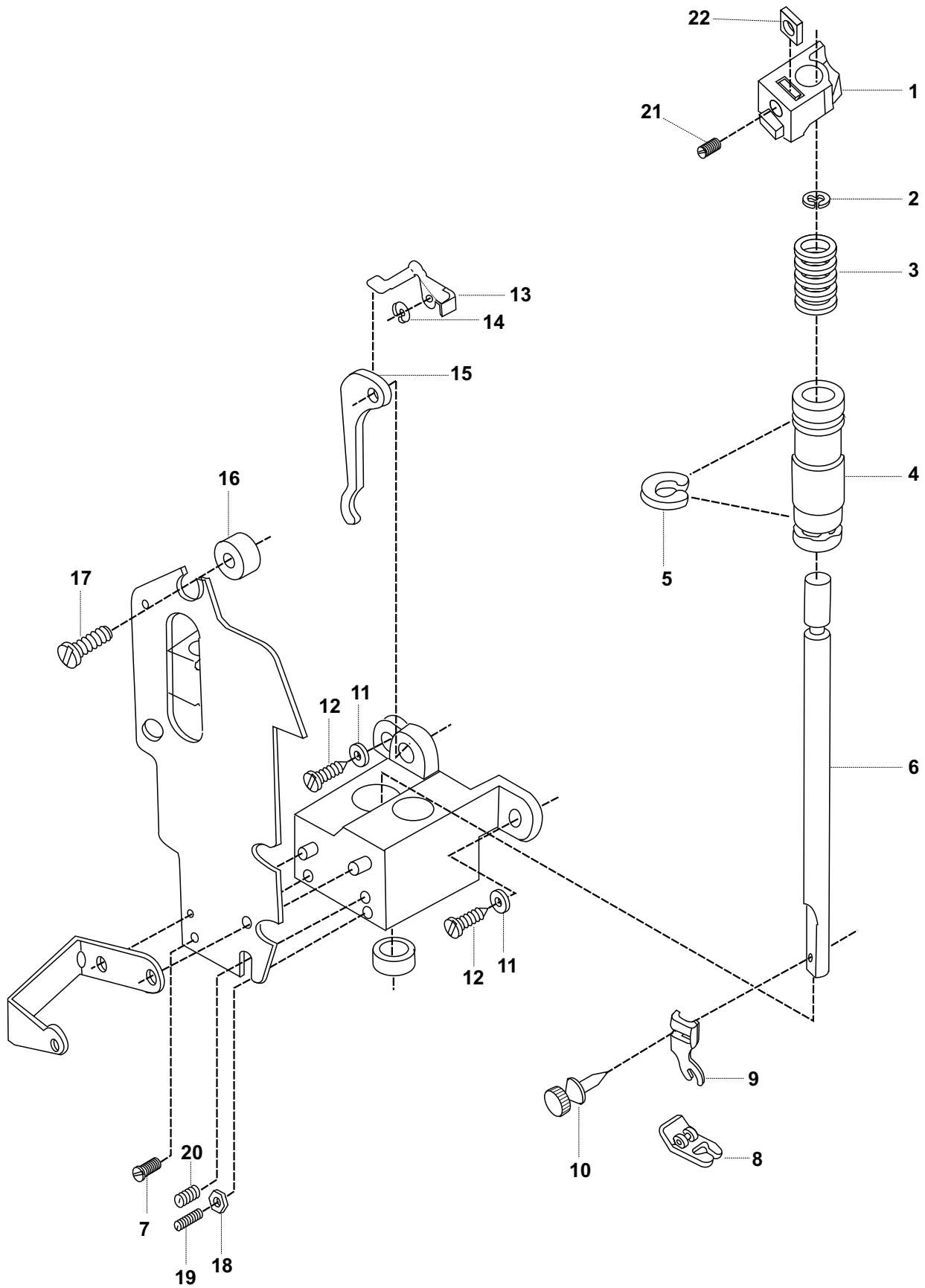


NEEDLE BAR

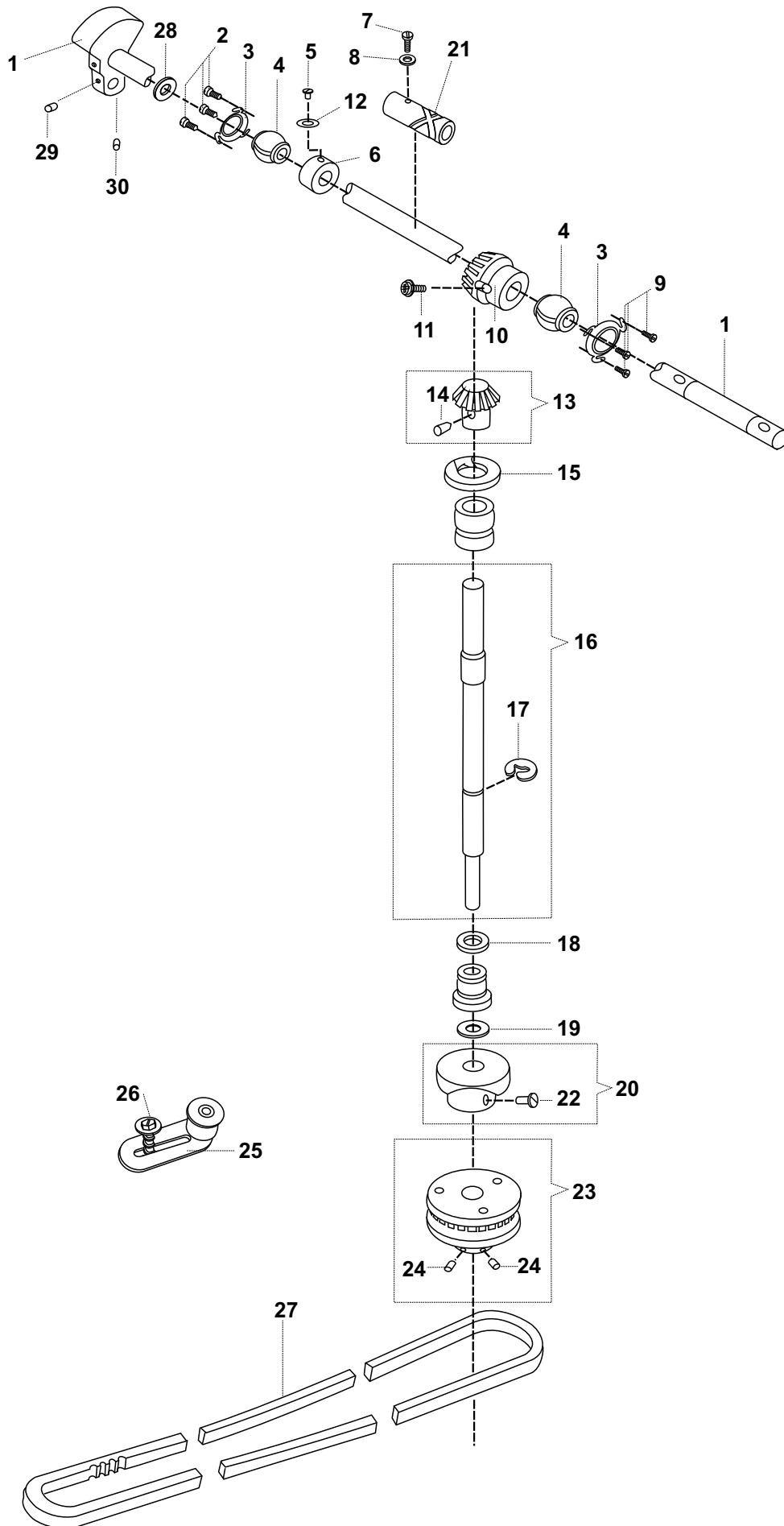
REF.	PARTS NUMBER	DESCRIPTION	2802	2808	2809	2810	2818	2852	2858	2859	2860	2868
1	445672-940	Thread take-up lever complete	●	●	●	●	●	●	●	●	●	●
2	358275-000	Thread take-up stud with retaining ring	●	●	●	●	●	●	●	●	●	●
3	358251-900	Thread take-up stud trust washer	●	●	●	●	●	●	●	●	●	●
4	445486-000	Thread take-up stud retaining ring	●	●	●	●	●	●	●	●	●	●
5	357431-000	Thread take-up lever link	●	●	●	●	●	●	●	●	●	●
6	353549-000	Needle bar connecting stud	●	●	●	●	●	●	●	●	●	●
7	37931-000	Needle bar connecting stud hinge pin	●	●	●	●	●	●	●	●	●	●
8	141916-833	Needle bar clamping screw	●	●	●	●	●	●	●	●	●	●
9	445793-000	Needle bar	●	●	●	●	●	●	●	●	●	●
10	37943-000	Needle bar gib	●	●	●	●	●	●	●	●	●	●
11	446355-001	Needle bar ball bushing (lower)	●	●	●	●	●	●	●	●	●	●
12	353379-000BUY	Needle bar ball bushing (lower) socket	●	●	●	●	●	●	●	●	●	●
13	446361-001	Needle bar ball bushing (lower) adjusting collar	●	●	●	●	●	●	●	●	●	●
14	355248-451	Needle thumb screw	●	●	●	●	●	●	●	●	●	●
15	357429-001	Needle clamp body	●	●	●	●	●	●	●	●	●	●
16	357421-001	Needle clamp thread guide	●	●	●	●	●	●	●	●	●	●
17	141920-455	Needle cl. body, nee. cl. thr. guide & nee. stop screw	●	●	●	●	●	●	●	●	●	●
18	204514-100	Needle 2045 size NBR 14	●	●	●	●	●	●	●	●	●	●
19	446359-000	Needle bar vibrating bracket hinge pin	●	●	●	●	●	●	●	●	●	●
20	445721-000	Needle bar vibrating bracket hinge pin retaining ring	●	●	●	●	●	●	●	●	●	●
21	179926-000	Needle bar driving arm hinge bra. hinge spr. ret. ring	●	●	●	●	●	●	●	●	●	●
22	357504-000	Needle bar driving arm hinge bra. hinge pin spring	●	●	●	●	●	●	●	●	●	●
23	446138-000	Needle bar driving arm hinge bra. hinge spr. washer	●	●	●	●	●	●	●	●	●	●
24	354826-451	Needle bar driving arm hinge bracket screw	●	●	●	●	●	●	●	●	●	●
25	357503-000	Needle bar driving arm hinge bracket	●	●	●	●	●	●	●	●	●	●
26	357502-000	Needle bar driving arm hinge bracket hinge pin	●	●	●	●	●	●	●	●	●	●
27	353522-001BUY	Needle bar ball bushing (upper) retaining ring	●	●	●	●	●	●	●	●	●	●
28	357616-000	Needle bar ball bushing (upper) socket spring	●	●	●	●	●	●	●	●	●	●
29	357615-000BUY	Needle bar ball bushing (upper) socket (lower)	●	●	●	●	●	●	●	●	●	●
30	446355-001	Needle bar ball bushing (upper)	●	●	●	●	●	●	●	●	●	●
31	353521-000	Needle bar vibrating bracket	●	●	●	●	●	●	●	●	●	●
32	357093-451	Needle bar vibrating bracket hinge pin nut	●	●	●	●	●	●	●	●	●	●
33	357358-000	Needle bar, presser bar & vibr. bracket housing plate	●	●	●	●	●	●	●	●	●	●
34	446350-901	Needle bar, presser bar & vibrating bracket housing	●	●	●	●	●	●	●	●	●	●
35	446360-900	Needle bar, presser bar & vibr. bra. housing support	●	●	●	●	●	●	●	●	●	●
36	44450-000	Needle bar ball bushing (lower) socket (upper)	●	●	●	●	●	●	●	●	●	●
37	113480-451	Needle bar, presser bar & vibr. bra. housing screw	●	●	●	●	●	●	●	●	●	●

When you need a part number with the suffix (XXX), please indicate the machine model where will be used.

PRESSER BAR



ARM SHAFT DRIVE

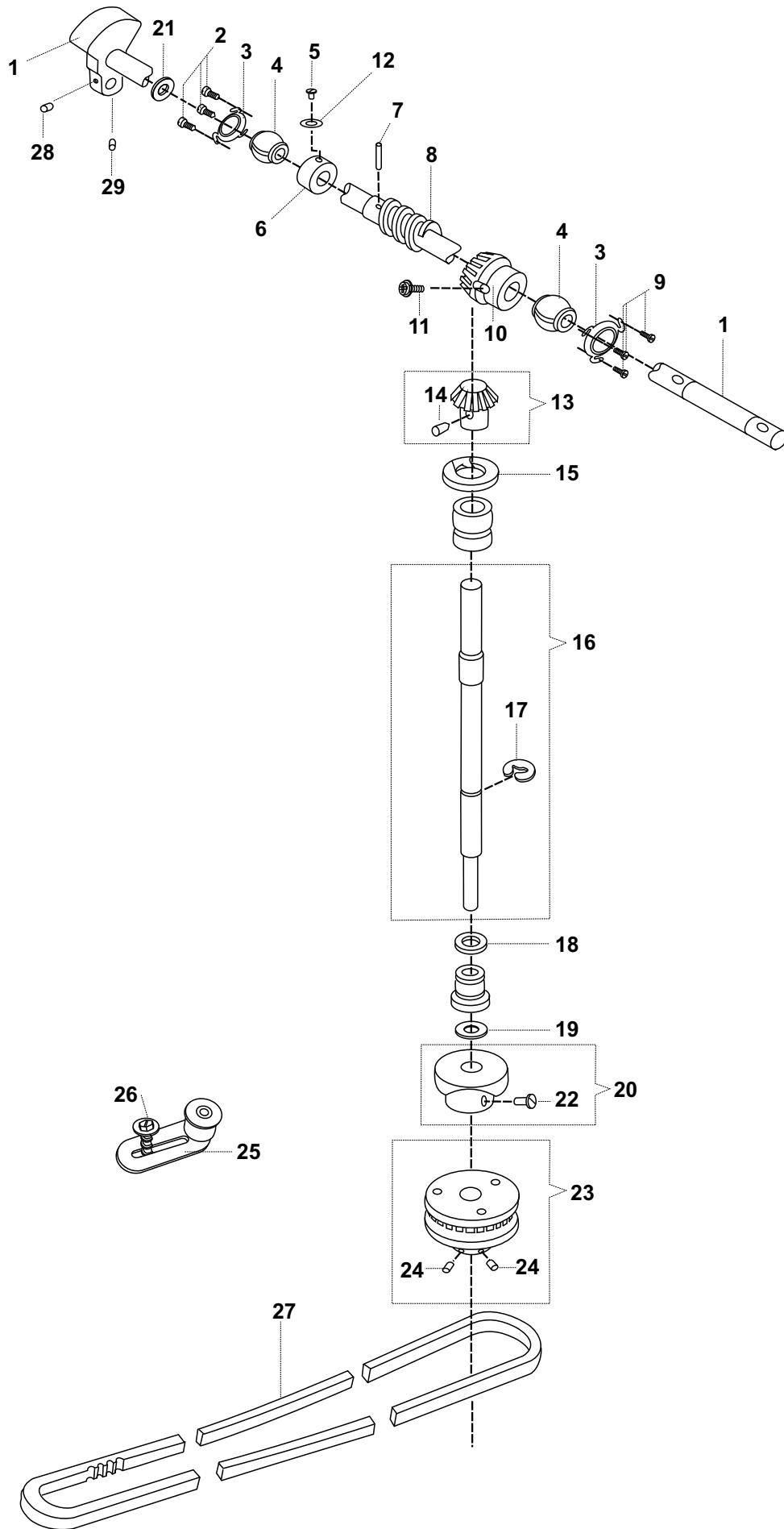


ARM SHAFT DRIVE

REF.	PARTS NUMBER	DESCRIPTION	2802	2808	2809	2810	2818	2852	2858	2859	2860	2868
1	358444-000	Arm shaft complete	●					●				
2	113455-001	Arm shaft bushing (front) retaining bracket screw	●					●				
3	446385-000	Arm shaft bushing (front) retaining bracket	●					●				
4	446384-001	Arm shaft bushing (front)	●					●				
5	358343-452	Arm shaft (horizontal) retaining collar screw	●					●				
6	358439-900	Arm shaft (horizontal) retaining collar	●					●				
7	358343-452	Arm shaft zigzag cam screw	●					●				
8	358372451	Arm shaft zigzag cam washer	●					●				
9	358499-451	Arm shaft bushing (rear) retaining bracket screw	●					●				
10	358371-900	Arm shaft (hor.) bevel gear & feed lifting eccentric	●					●				
11	358484-451	Arm shaft (hor.) bevel gear & feed lifting ecc. screw	●					●				
12	358372-451	Arm shaft (horizontal) collar washer	●					●				
13	358429-000	Arm shaft (upright) bevel gear	●					●				
14	354105-833	Arm shaft (upright) bevel gear set screw	●					●				
15	356819-000	Arm shaft (upright) felt washer	●					●				
16	179952-002	Arm shaft (upright) assembly	●					●				
17	353215-000	Arm shaft (upright) retaining ring	●					●				
18	353394-000BUY	Arm shaft (upright) retaining ring washer	●					●				
19	319826-000BUY	Arm shaft (upright) belt drive pulley washer	●					●				
20	446228-000	Feed lifting cam complete	●					●				
21	358432-900	Arm shaft zigzag cam	●					●				
22	544118-000	Feed lifting cam set screw	●					●				
23	353438-001	Arm shaft (upright) belt drive pulley assy. complete	●					●				
24	354906-451	Arm shaft (upright) belt drive pulley set screw	●					●				
25	358224-001	Rotating hook drive belt tension adjuster	●					●				
26	358287-451	Rotating hook drive belt tensioner screw	●					●				
27	446237-000	Belt (rotating hook drive)	●					●				
28	319764-001	Arm shaft bushing (front) retaining bracket washer	●					●				
29	354105-833	Needle Bar Crank Position Set Screw	●					●				
30	141916-833	Needle Bar Crank Stud Mounting Screw	●					●				

When you need a part number with the suffix (XXX), please indicate the machine model where will be used.

ARM SHAFT DRIVE

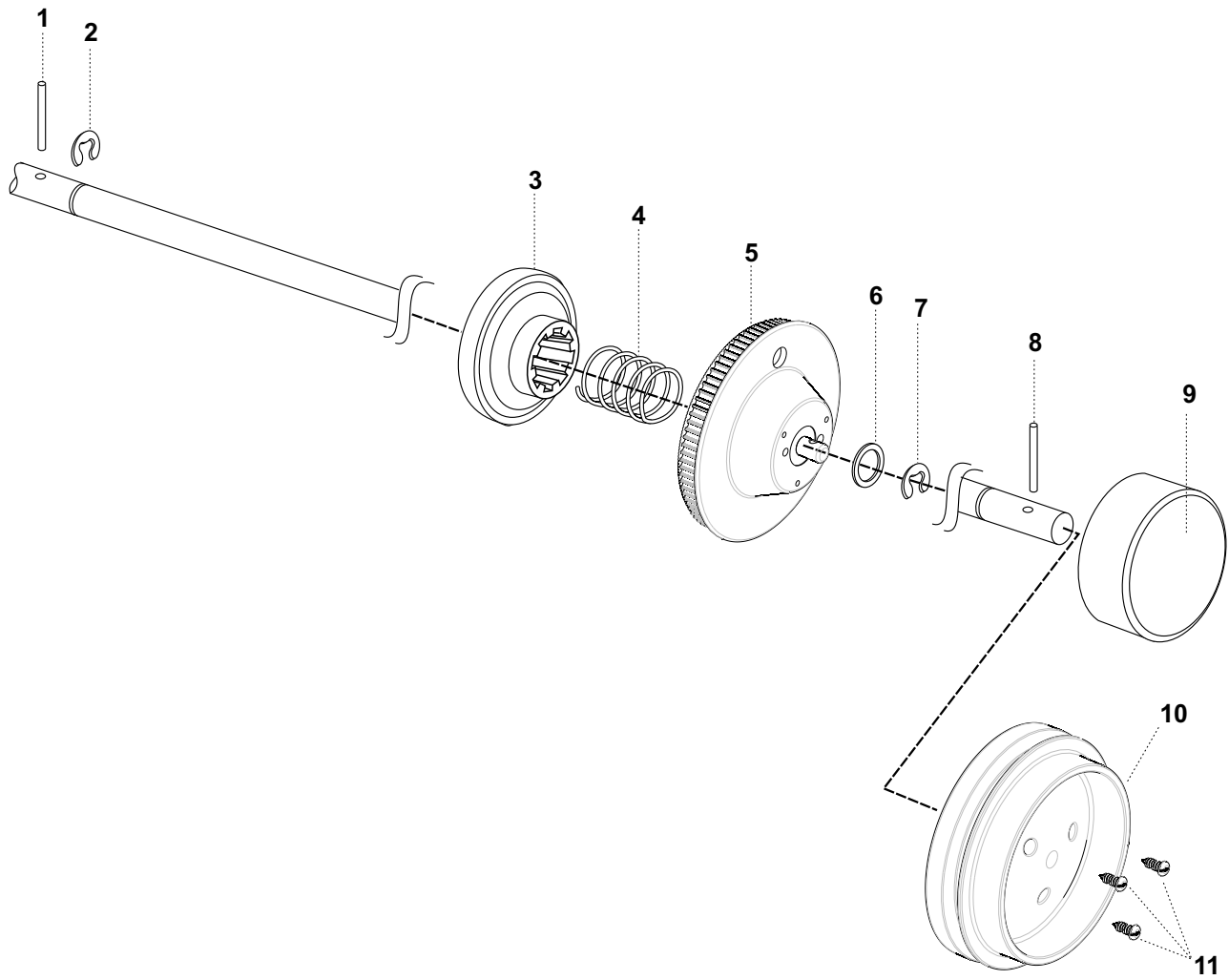


ARM SHAFT DRIVE

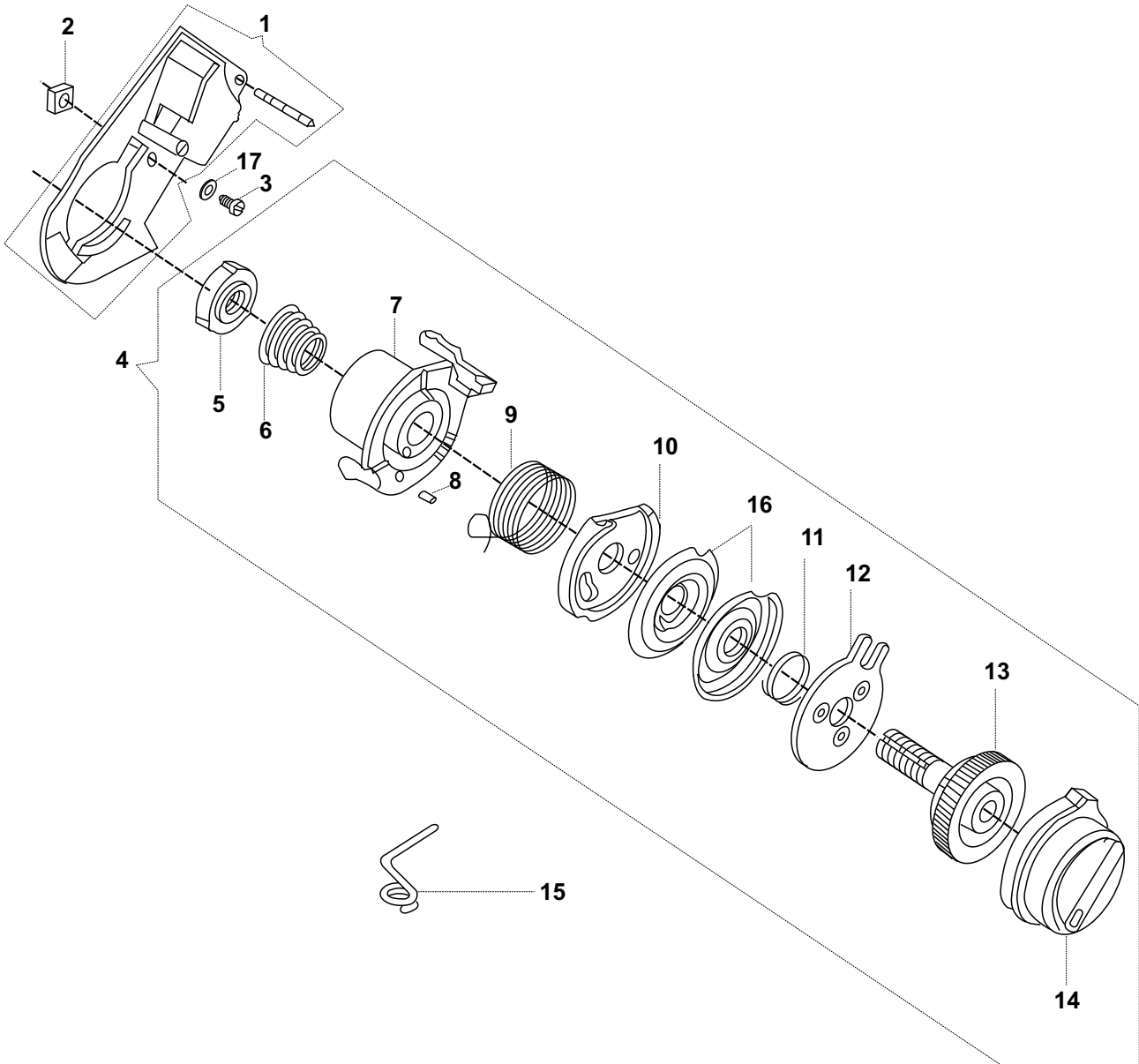
REF.	PARTS NUMBER	DESCRIPTION	2802	2808	2809	2810	2818	2852	2858	2859	2860	2868
1	358330-901	Arm shaft complete		●	●	●	●		●	●	●	●
2	113455-001	Arm shaft bushing (front) retaining bracket screw		●	●	●	●		●	●	●	●
3	446385-000	Arm shaft bushing (front) retaining bracket		●	●	●	●		●	●	●	●
4	446384-001	Arm shaft bushing (front)		●	●	●	●		●	●	●	●
5	358343-452	Arm shaft (horizontal) retaining collar screw		●	●	●	●		●	●	●	●
6	358439-900	Arm shaft (horizontal) retaining collar		●	●	●	●		●	●	●	●
7	358341-004	Arm shaft zigzag cam conic pin		●	●	●	●		●	●	●	●
8	358337-900	Arm shaft (horizontal) drive gear		●	●	●	●		●	●	●	●
9	358499-451	Arm shaft bushing (rear) retaining bracket screw		●	●	●	●		●	●	●	●
10	358371-900	Arm shaft (hor.) bevel gear & feed lifting eccentric		●	●	●	●		●	●	●	●
11	358484-451	Arm shaft (hor.) bevel gear & feed lifting ecc. screw		●	●	●	●		●	●	●	●
12	358372-451	Arm shaft (horizontal) collar washer		●	●	●	●		●	●	●	●
13	358429-000	Arm shaft (upright) bevel gear		●	●	●	●		●	●	●	●
14	354105-833	Arm shaft (upright) bevel gear set screw		●	●	●	●		●	●	●	●
15	356819-000	Arm shaft (upright) felt washer		●	●	●	●		●	●	●	●
16	179952-002BUY	Arm shaft (upright) assembly		●	●	●	●		●	●	●	●
17	353215-000	Arm shaft (upright) retaining ring		●	●	●	●		●	●	●	●
18	353394-000BUY	Arm shaft (upright) retaining ring washer		●	●	●	●		●	●	●	●
19	319826-000BUY	Arm shaft (upright) belt drive pulley washer		●	●	●	●		●	●	●	●
20	446228-000	Feed lifting cam complete		●	●	●	●		●	●	●	●
21	319764-001	Arm shaft bushing (front) retaining bracket washer		●	●	●	●		●	●	●	●
22	544118-000	Feed lifting cam set screw		●	●	●	●		●	●	●	●
23	353438-001	Arm shaft (upright) belt drive pulley assy. complete		●	●	●	●		●	●	●	●
24	354906-451	Arm shaft (upright) belt drive pulley set screw		●	●	●	●		●	●	●	●
25	358224-001	Rotating hook drive belt tension adjuster		●	●	●	●		●	●	●	●
26	358287-451	Rotating hook drive belt tensioner screw		●	●	●	●		●	●	●	●
27	446237-000	Belt (rotating hook drive)		●	●	●	●		●	●	●	●
28	354105-833	Needle Bar Crank Position Set Screw		●	●	●	●		●	●	●	●
29	141916-833	Needle Bar Crank Stud Mounting Screw		●	●	●	●		●	●	●	●

When you need a part number with the suffix (XXX), please indicate the machine model where will be used.

HAND WHEEL



TENSION MECHANISM

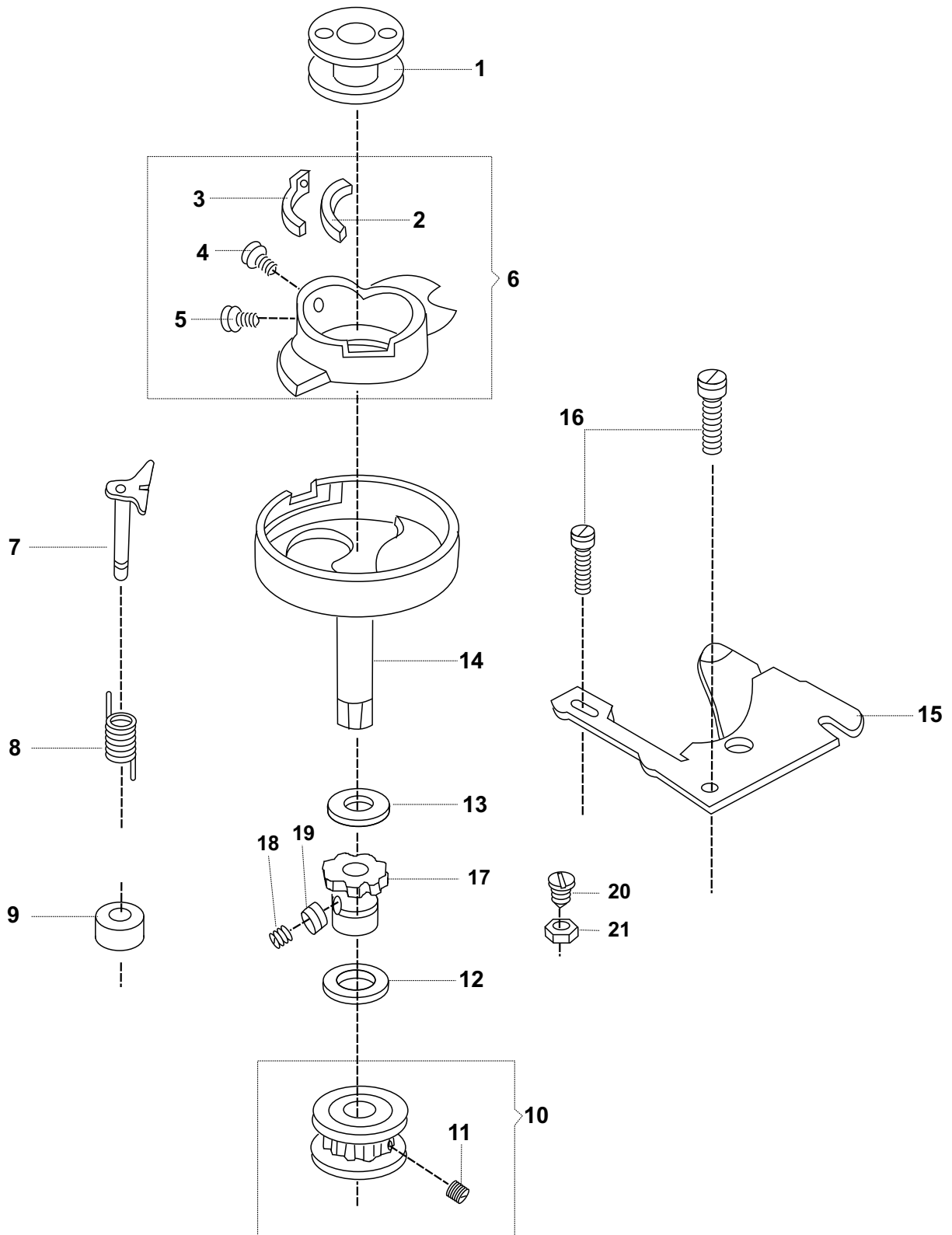


TENSION MECHANISM

REF.	PARTS NUMBER	DESCRIPTION	2802	2808	2809	2810	2818	2852	2858	2859	2860	2868
1	356040-452	Tension mechanism shrouder assembly	●	●	●	●	●	●	●	●	●	●
2	514698-451	Tension mechanism shrouder screw nut	●	●	●	●	●	●	●	●	●	●
3	141808-457	Tension mechanism shrouder screw	●	●	●	●	●	●	●	●	●	●
4	356088-XXX	Tension mechanism assembly	●	●	●	●	●	●	●	●	●	●
5	356095-000	Tension stud nut	●	●	●	●	●	●	●	●	●	●
6	356096-000	Tension spring	●	●	●	●	●	●	●	●	●	●
7	356089-000BUY	Tension mechanism support	●	●	●	●	●	●	●	●	●	●
8	356246-900	Tension mechanism support pin	●	●	●	●	●	●	●	●	●	●
9	356097-000	Thread take-up spring	●	●	●	●	●	●	●	●	●	●
10	356091-000	Thread take-up spring thread guard	●	●	●	●	●	●	●	●	●	●
11	358123-900	Tension disc pressure plate spring	●	●	●	●	●	●	●	●	●	●
12	358124-900	Tension disc pressure plate	●	●	●	●	●	●	●	●	●	●
13	356092-451	Tension indicator with stud	●	●	●	●	●	●	●	●	●	●
14	356090-XXX	Tension indicator dial	●	●	●	●	●	●	●	●	●	●
15	445784-000	Thread guide (lower)	●	●	●	●	●	●	●	●	●	●
16	356094-000	Tension disc	●	●	●	●	●	●	●	●	●	●
17	356443-000	Tension mechanism shrouder screw washer	●	●	●	●	●	●	●	●	●	●

When you need a part number with the suffix (XXX), please indicate the machine model where will be used.

HOOK SYSTEM

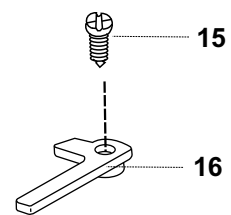
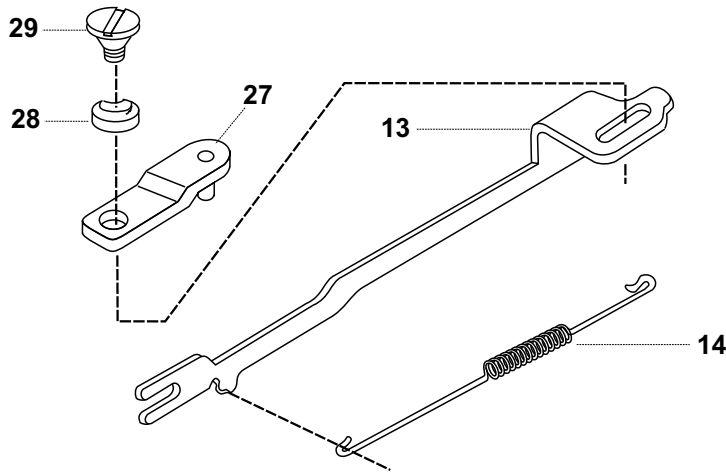
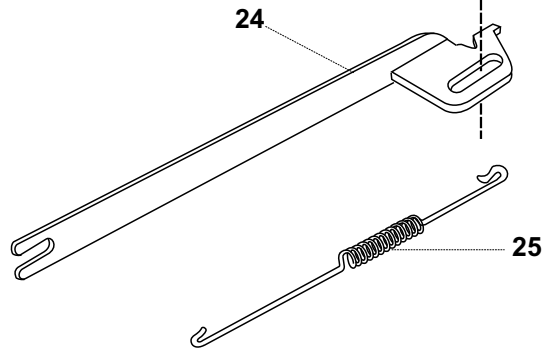
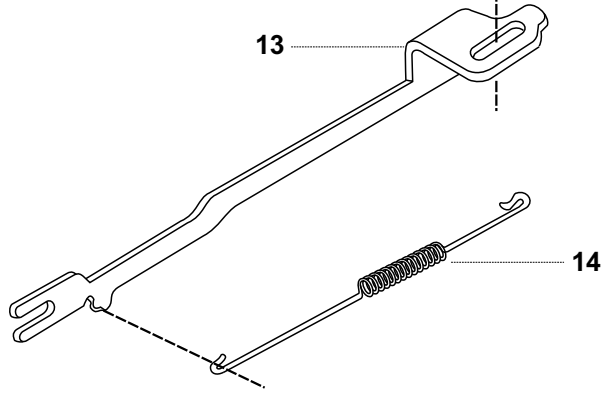
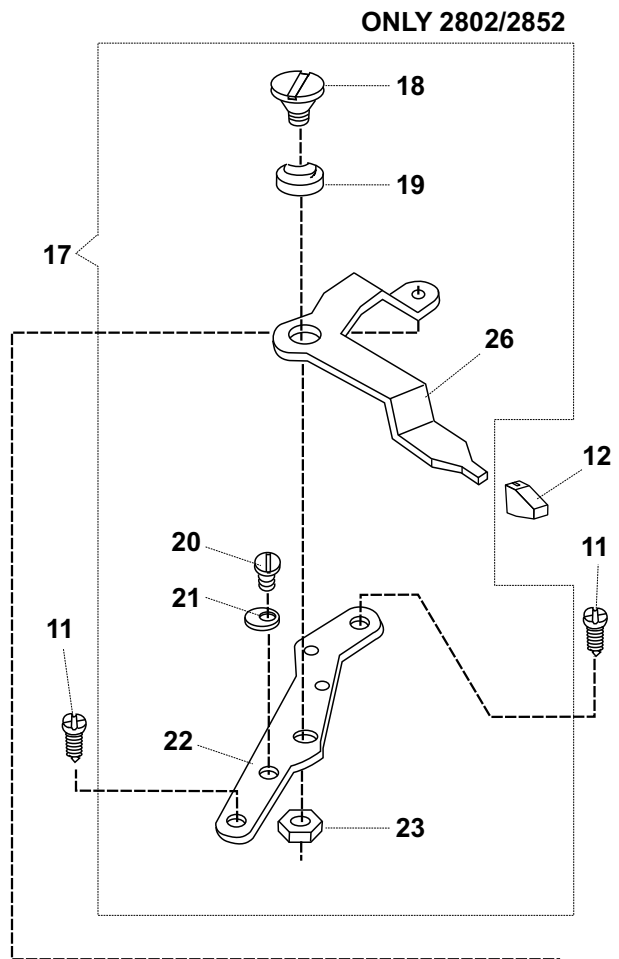
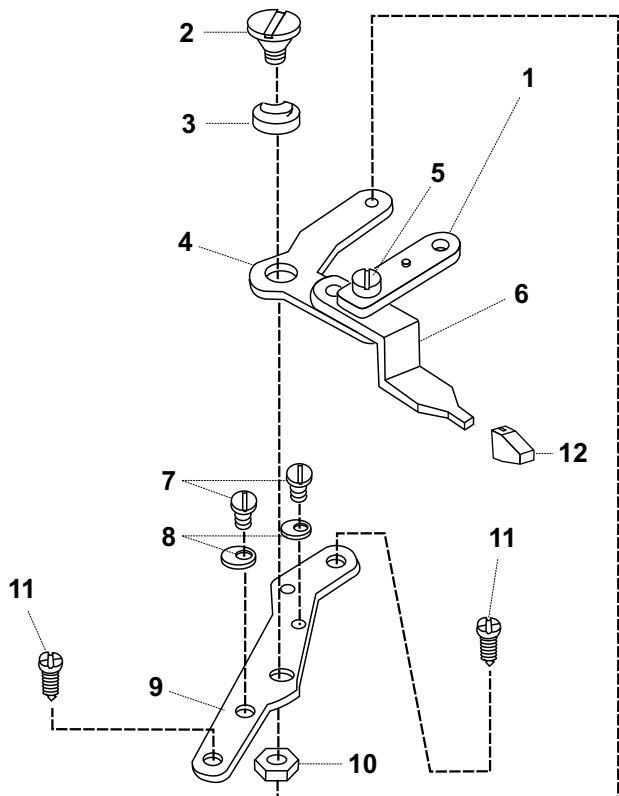


HOOK SYSTEM

REF.	PARTS NUMBER	DESCRIPTION	2802	2808	2809	2810	2818	2852	2858	2859	2860	2868
1	172336-001BUY	Rotating hook bobbin (plastic)	●	●	●	●	●	●	●	●	●	●
2	356490-451	Rotating hook bobbin case tension spring segment	●	●	●	●	●	●	●	●	●	●
3	314715-000	Rotating hook bobbin case tension spring	●	●	●	●	●	●	●	●	●	●
4	355254-451	Rotating hook bobbin case tension regulating screw	●	●	●	●	●	●	●	●	●	●
5	139975-452	Rot. hook bobbin case tension spring segment screw	●	●	●	●	●	●	●	●	●	●
6	421325-000	Rotating hook bobbin case complete	●	●	●	●	●	●	●	●	●	●
7	358021-000	Rotating hook bobbin case retaining plate assembly	●	●	●	●	●	●	●	●	●	●
8	358018-900	Rotating hook bobbin case ret. plate stud spring	●	●	●	●	●	●	●	●	●	●
9	358019-900	Rotating hook bobbin case retaining plate ret. ring	●	●	●	●	●	●	●	●	●	●
10	446235-000	Rotating hook belt drive pulley complete	●	●	●	●	●	●	●	●	●	●
11	141803-451	Rotating hook belt drive pulley screw	●	●	●	●	●	●	●	●	●	●
12	382861-906	Rotating hook belt drive pulley washer	●	●	●	●	●	●	●	●	●	●
13	353453-000BUY	Rotating hook wear washer	●	●	●	●	●	●	●	●	●	●
14	353366-000	Rotating hook complete	●	●	●	●	●	●	●	●	●	●
15	44873-001	Rotating hook bobbin case position plate	●	●	●	●	●	●	●	●	●	●
16	354917-451	Rotating hook bobbin case position plate screw	●	●	●	●	●	●	●	●	●	●
17	353410-900	Rotating hook bushing	●	●	●	●	●	●	●	●	●	●
18	141938-833	Rotating hook bushing set screw	●	●	●	●	●	●	●	●	●	●
19	353367-451	Rotating hook bushing set screw nut	●	●	●	●	●	●	●	●	●	●
20	141844-451	Rotating hook bushing adjusting screw	●	●	●	●	●	●	●	●	●	●
21	618638-005	Rotating hook bushing adjusting screw nut	●	●	●	●	●	●	●	●	●	●

When you need a part number with the suffix (XXX), please indicate the machine model where will be used.

BIGHT AMPLITUDE

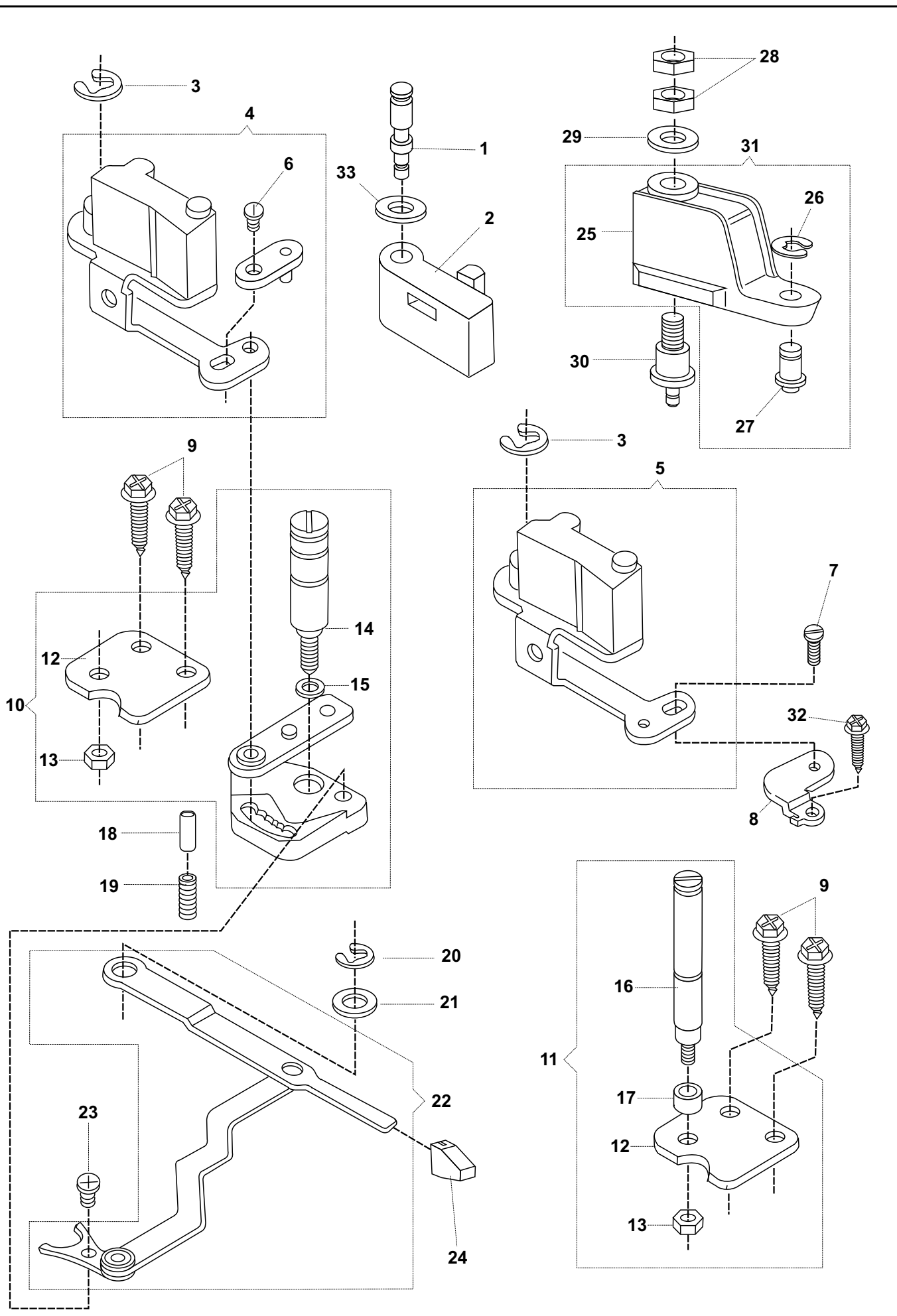


BIGHT AMPLITUDE

REF.	PARTS NUMBER	DESCRIPTION	2802	2808	2809	2810	2818	2852	2858	2859	2860	2868
1	44556-000	Bight amplitude control extension lever				●	●				●	●
2	354825-451	Bight amplitude control lever screw			●	●	●			●	●	●
3	49204-000	Bight amplitude control lever locker washer			●	●	●			●	●	●
4	37246-000	Bight amplitude control lever control lever			●	●	●			●	●	●
5	139866-451	Bight amplitude control lever control lever set screw				●	●				●	●
5	141913-451	Bight amplitude control lever control lever set screw			●					●		
6	356061-000	Bight amplitude control lever sub-assembly			●	●	●			●	●	●
7	141913-451	Bight amplitude control lever link stop screw			●	●	●			●	●	●
8	446904-000	Bight amplitude control lever link stop			●	●	●			●	●	●
9	531793-000	Bight amplitude control lever support			●	●	●			●	●	●
10	54591-451	Bight amplitude control lever nut			●	●	●			●	●	●
11	113455-001	Bight amplitude control lever mounting bracket screw	●		●	●	●	●		●	●	●
12	356204-453	Bight amplitude control lever knob	●		●	●	●	●		●	●	●
13	37933-002	Needle bar driving arm		●	●	●	●		●	●	●	●
14	37942-000	Needle bar driving arm tension spring			●	●	●			●	●	●
15	113455-001	Light lead shield & n. b. dr. arm t. spr. m. plate screw	●	●	●	●	●	●	●	●	●	●
16	445780-000	Light lead shield & n. b. dr. arm ten. spr. mount. plate	●	●	●	●	●	●	●	●	●	●
17	358445-000	Bight amplitude control lever mounting bra. complete	●					●				
18	354825-451	Bight amplitude control lever mounting bracket screw	●					●				
19	49204-000	Bight amp. control lever mount. bra. locker washer	●					●				
20	141913-451	Bight amplitude control lever link stop screw	●					●				
21	446904-000	Bight amplitude control lever link stop	●					●				
22	531793-000	Bight amplitude control lever support	●					●				
23	54591-451	Bight amplitude control lever nut	●					●				
24	358434-900	Needle bar driving arm	●					●				
25	358239-900	Needle bar driving arm tension spring	●	●				●	●			
26	358431-000	Bight amplitude control lever mounting bracket	●					●				
27	358281-000	Needle bar driving arm guide bracket		●								
28	353375-451	Needle bar driving arm guide bracket screw washer		●								
29	113455-001	Needle bar driving arm guide bracket set screw		●								

When you need a part number with the suffix (XXX), please indicate the machine model where will be used.

DRIVING ARM SLIDE AND PATTERN SELECTOR DIAL PIN

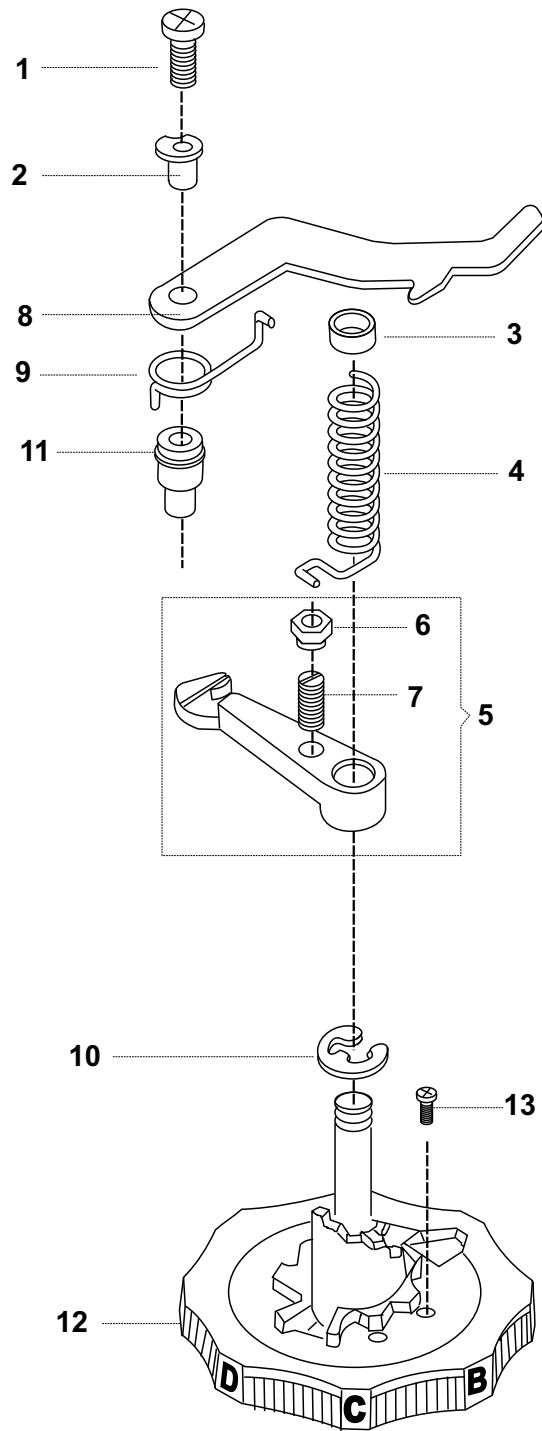


DRIVING ARM SLIDE AND PATTERN SELECTOR DIAL PIN

REF.	PARTS NUMBER	DESCRIPTION	2802	2808	2809	2810	2818	2852	2858	2859	2860	2868
1	357326-900	Needle bar driving arm slide bracket articulating pin		●	●	●	●		●	●	●	●
2	358236-900	Needle bar driving arm slide bracket complete		●					●			
3	445721-000	Needle bar driving arm slide bracket retaining ring		●	●	●	●		●	●	●	●
4	356735-001	Needle bar driving arm slide bracket complete				●	●				●	●
5	358469-000	Needle bar driving arm slide bracket complete			●					●		
6	141913-451	Needle position sel. lever bracket stud arm set screw				●	●				●	●
7	141913-451	Needle bar driving arm slide bracket set screw			●					●		
8	358447-900	Needle bar driving arm slide bracket support			●					●		
9	113455-001	Needle bar driving arm slide bracket sup. set screw		●	●	●	●		●	●	●	●
10	356838-000	Needle position selector lever bracket complete				●	●				●	●
11	358436-000	Needle position selector lever bracket complete		●	●				●	●		
12	446401-000	Needle position selector lever adjusting plate		●	●	●	●		●	●	●	●
13	54591-451	Disc follower stud nut		●	●	●	●		●	●	●	●
14	357089-000	Disc follower stud				●	●				●	●
15	353585-000	Disc follower stud collar				●	●				●	●
16	357089-000	Disc follower stud		●	●				●	●		
17	358252-900	Disc follower stud collar		●	●				●	●		
18	356228-000	Needle position selector lever bracket positioning pin				●	●				●	●
19	444800-000	Needle position selector lever bracket spring				●	●				●	●
20	445486-000	Needle position selector lever retaining ring				●	●				●	●
21	49204-000	Needle position selector lever hinge stud washer				●	●				●	●
22	356812-000	Needle position selector lever complete				●	●				●	●
23	141913-451	Needle position selector lever screw				●	●				●	●
24	356204-453	Needle position selector control lever knob				●	●				●	●
25	358430-900	Slide bracket	●					●				
26	353215-000	Slide bracket retaining ring	●					●				
27	358435-900	Zigzag cam follower	●					●				
28	53648-451BUY	Slide bracket nut	●					●				
29	358449-451	Slide bracket washer	●					●				
30	358492-900	Slide bracket screw	●					●				
31	358446-000	Slide bracket assembly	●					●				
32	113455-001	Needle position selector lever bracket screw			●					●		
33	357327-900	Needle bar driving arm slide bracket pin washer		●	●	●	●		●	●	●	●

When you need a part number with the suffix (XXX), please indicate the machine model where will be used.

PATTERN SELECTOR

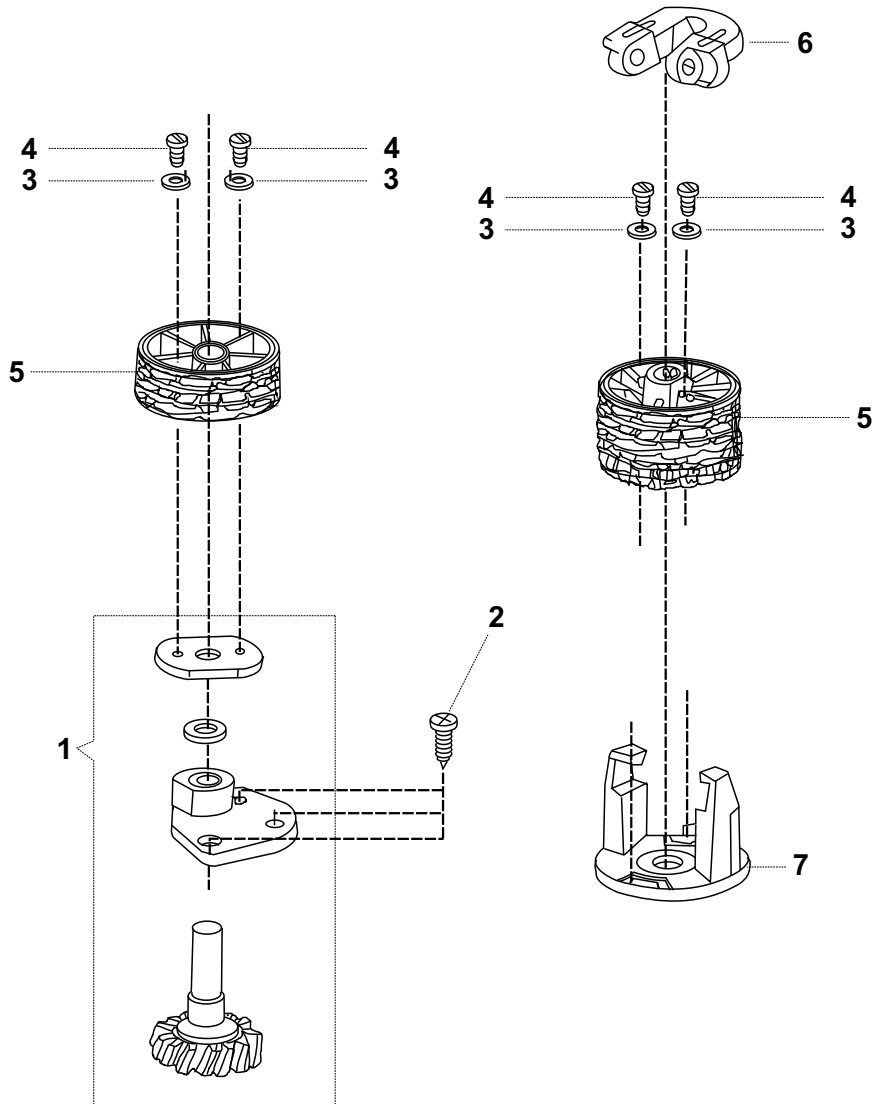


PATTERN SELECTOR

REF.	PARTS NUMBER	DESCRIPTION	2802	2808	2809	2810	2818	2852	2858	2859	2860	2868
1	354826-451	Disc follower disengaging lever screw		●	●	●	●		●	●	●	●
2	356751-000	Disc follower disengaging lever bushing		●	●	●	●		●	●	●	●
3	353548-000BUY	Disc follower actuating spring retaining ring		●	●	●	●		●	●	●	●
4	356768-000	Disc follower spring		●	●	●	●		●	●	●	●
5	356770-000	Disc follower complete		●	●	●	●		●	●	●	●
6	531699-451	Disc follower adjusting screw stud nut		●	●	●	●		●	●	●	●
7	445341-000	Disc follower adjusting screw stud		●	●	●	●		●	●	●	●
8	356750-000	Disc follower disengaging lever		●	●	●	●		●	●	●	●
9	356752-000	Disc follower disengaging lever spring		●	●	●	●		●	●	●	●
10	603908-001	Disc selector cam retaining ring		●	●	●	●		●	●	●	●
11	357000-000	Disc follower disengaging lever stud		●	●	●	●		●	●	●	●
12	356749-XXX	Pattern selector cam / dial with graphics		●	●	●	●		●	●	●	●
13	353417-900	Pattern selector cam positioner pin				●					●	

When you need a part number with the suffix (XXX), please indicate the machine model where will be used.

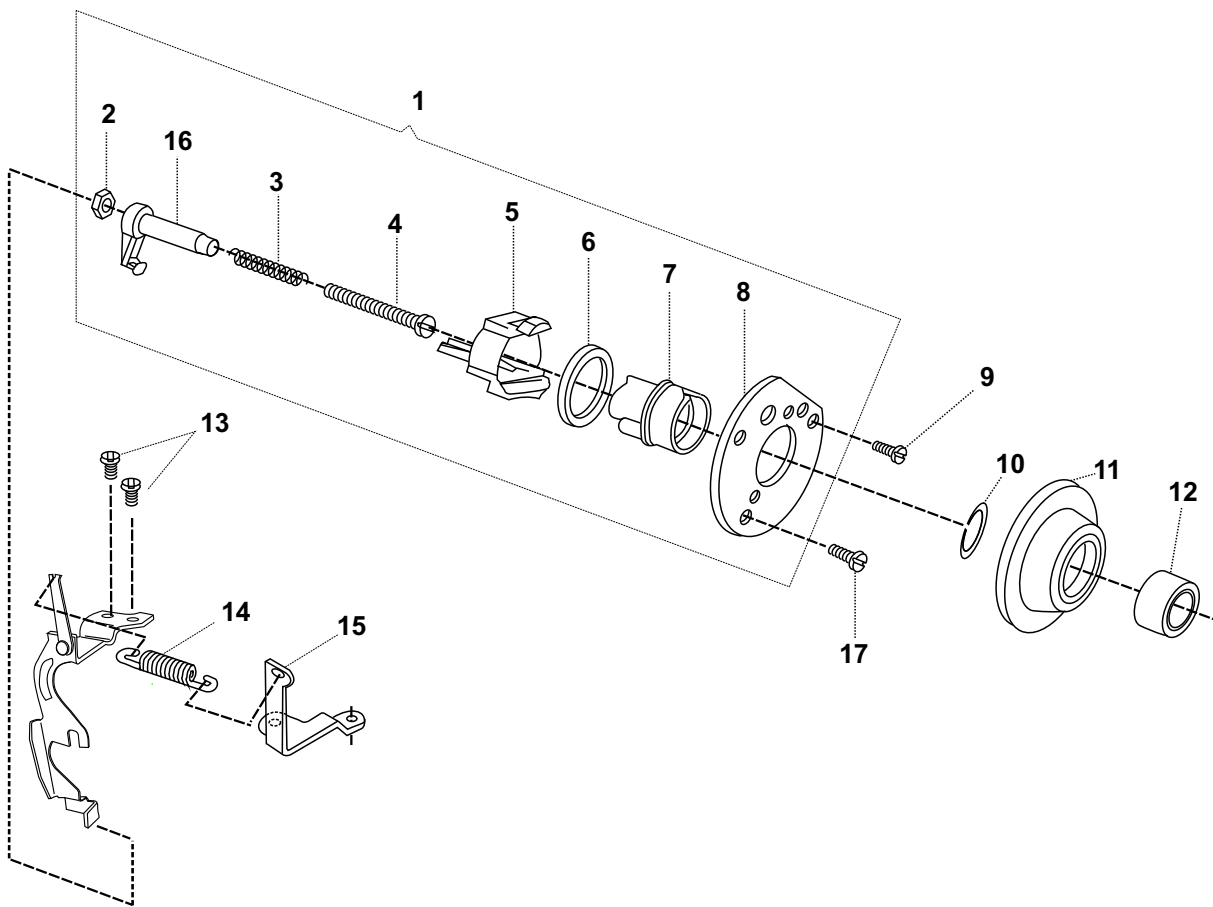
CAM STACK



REF.	PARTS NUMBER	DESCRIPTION	2802	2808	2809	2810	2818	2852	2858	2859	2860	2868
1	356982-001	Disc driving gear shaft mounting plate assembly		●	●	●	●		●	●	●	●
2	113455-012	Disc driving gear shaft mounting plate screw		●	●	●	●		●	●	●	●
3	356830-003	Disc stack fitting washer		●	●	●	●		●	●	●	●
4	141920-455	Disc stack fitting screw		●	●	●	●		●	●	●	●
5	358240-900	Disc stack (plastic)		●					●			
5	356969-000	Disc stack (plastic)			●		●			●		●
5	356995-000BUY	Disc stack (plastic)				●					●	
6	356965-451BUY	Disc stack clamp			●		●			●		●
7	356971-000BUY	Disc driving plate			●		●			●		●

When you need a part number with the suffix (XXX), please indicate the machine model where will be used.

FEED REGULATOR CAM

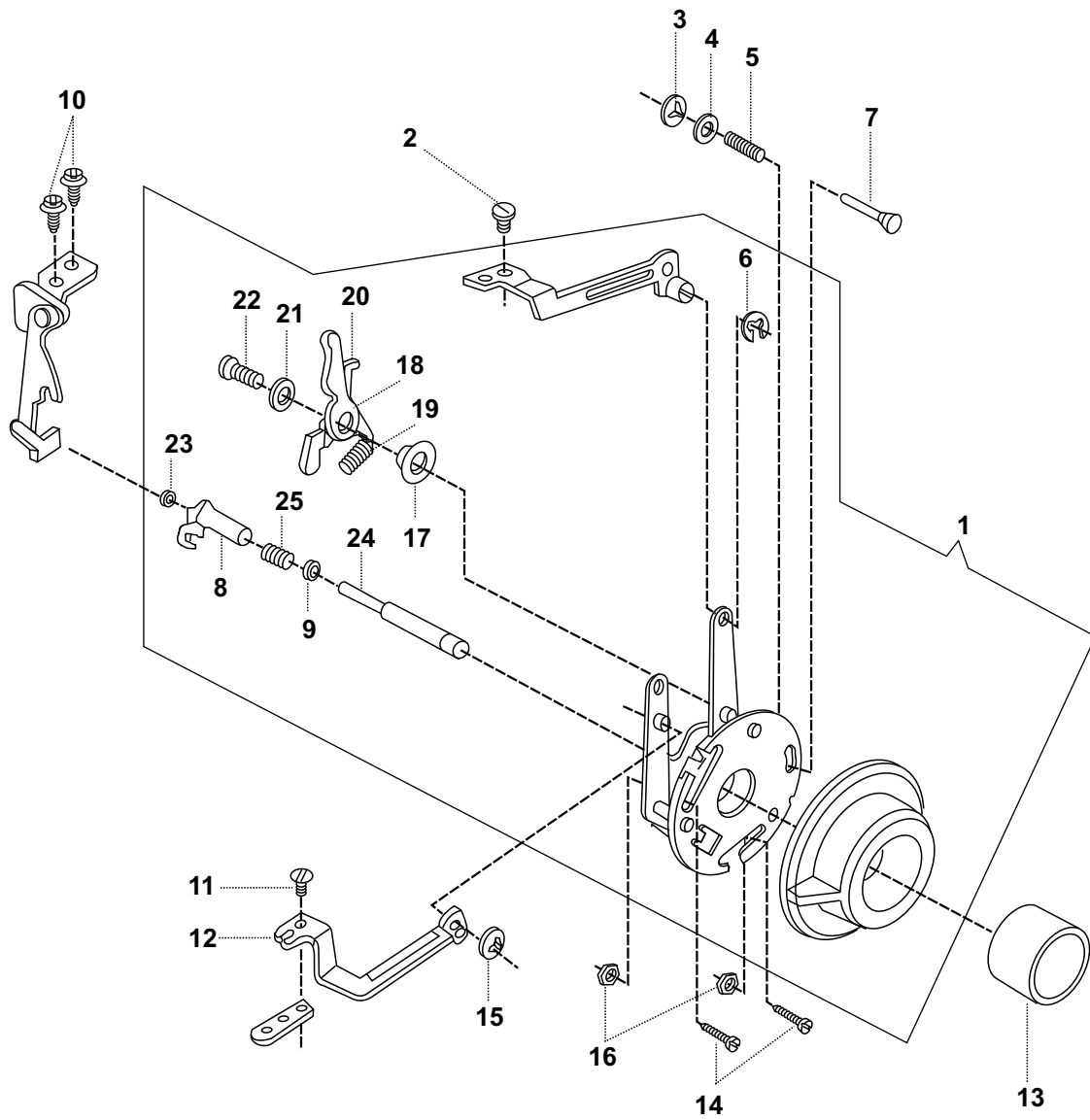


FEED REGULATOR CAM

REF.	PARTS NUMBER	DESCRIPTION	2802	2808	2809	2810	2818	2852	2858	2859	2860	2868
1	353478-000	Feed regulator cam complete	●	●	●			●	●	●		
2	618638-005	Feed regulator cam follower positioning spring nut	●	●	●			●	●	●		
3	44892-000	Feed regulator cam follower positioning spring	●	●	●			●	●	●		
4	354975-451	Feed regulator cam follower positioning screw	●	●	●			●	●	●		
5	446284-000BUY	Feed regulator mounting plate	●	●	●			●	●	●		
6	446282-000	Feed regulator friction washer	●	●	●			●	●	●		
7	353477-000BUY	Feed regulator cam	●	●	●			●	●	●		
8	446283-000	Feed regulator mechanism mounting plate	●	●	●			●	●	●		
9	531806-451	Feed regulator mounting plate screw (right)	●	●	●			●	●	●		
10	445461-000	Feed regulator control dial retaining ring	●	●	●			●	●	●		
11	356998-451	Feed regulator control dial	●	●	●			●	●	●		
12	356115-XXX	Feed regulator positioning pin knob with graphics	●	●	●			●	●	●		
13	358499-451	Feed regulator control arm mounting bracket screw	●	●	●			●	●	●		
14	358248-900	Feed regulator control arm link spring	●	●	●			●	●	●		
15	445925-000	Feed regulator spring bracket	●	●	●			●	●	●		
16	356398-900BUY	Feed regulator cam follower	●	●	●			●	●	●		
17	531807-451	Feed regulator mounting plate screw (left)	●	●	●			●	●	●		

When you need a part number with the suffix (XXX), please indicate the machine model where will be used.

FEED REGULATOR CAM

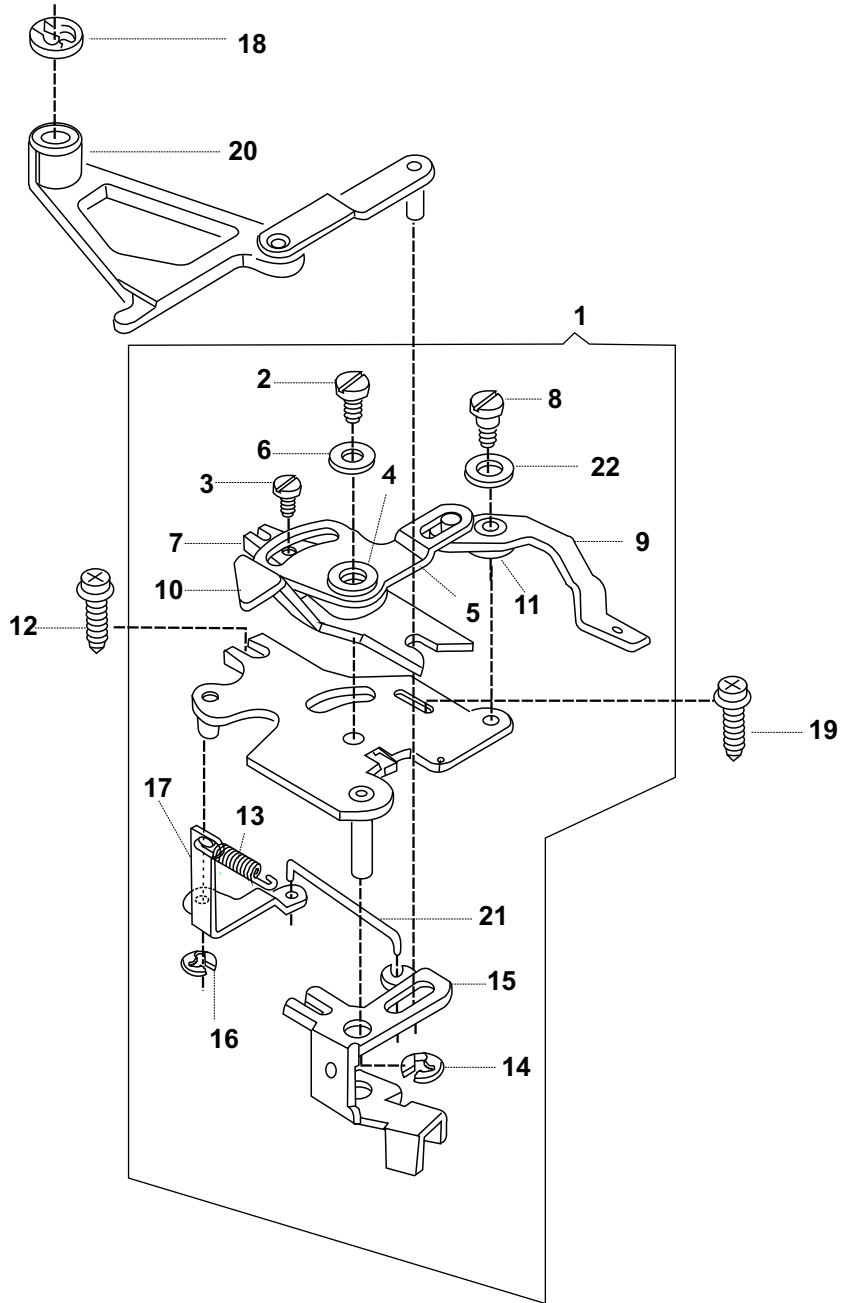


FEED REGULATOR CAM

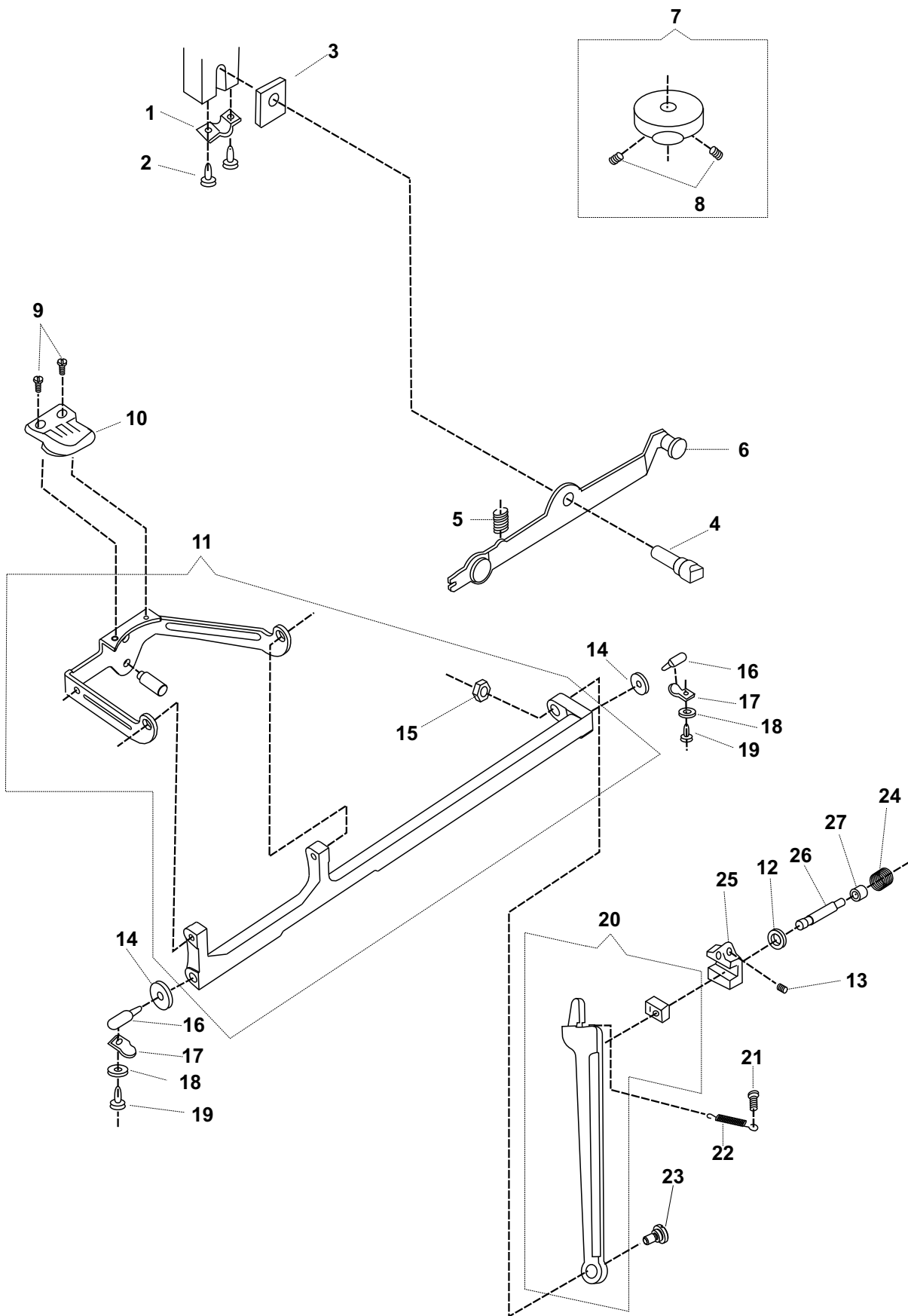
REF.	PARTS NUMBER	DESCRIPTION	2802	2808	2809	2810	2818	2852	2858	2859	2860	2868
1	357010-XXX	Buttonholer & feed regulator cam complete				●	●				●	●
2	141913-451	Bh. nd. pos. cam fol. lever link (left & right) screw				●	●				●	●
3	408030-000	Bh. & feed reg. mechanism mtg. plate stud ret. ring				●	●				●	●
4	445808-000	Bh. & feed reg. mech. mtg. plate stud spring washer				●	●				●	●
5	179949-000	Buttonholer & feed reg. mech. mtg. plate stud spring				●	●				●	●
6	445486-000	Bh. bight control cam fol. lever link (right) ret. ring				●	●				●	●
7	357119-000	Buttonholer & feed regulator mech. mtg. plate stud				●	●				●	●
8	357094-000BUY	Feed regulator positioning pin carrier				●	●				●	●
9	356830-001	Feed regulator positioning pin washer				●	●				●	●
10	358499-451	Feed regulator control arm screw				●	●				●	●
11	141913-451	Bh. bight cont. cam fol. lever link (left & right) screw				●	●				●	●
12	356748-000	Buttonholer bight control cam fol. lever link (right)				●	●				●	●
13	356653-XXX	Feed regulator positioning pin knob				●	●				●	●
14	113513-451	Buttonholer & feed regulator mech. mtg. plate screw				●	●				●	●
15	445486-000	Bh. right control cam fol. lever link (right) ret. ring				●	●				●	●
16	53640-819	Buttonholer & feed reg. mech. mtg. plate screw nut				●	●				●	●
17	353319-000	Cam control feed eng. cam follower & lever bushing				●	●				●	●
18	353321-000	Cam control feed engaging cam follower lever				●	●				●	●
19	358102-000	Cam control feed eng. cam follower & lever spring				●	●				●	●
20	353320-000	Cam control feed engaging cam follower				●	●				●	●
21	445539-000	Cam control feed eng. cam follower & lever washer				●	●				●	●
22	113372-451	Cam control fd. eng. cam follower & lever mtg. screw				●	●				●	●
23	618638-005	Feed regulator positioning pin carrier insert nut				●	●				●	●
24	356650-000	Feed regulator positioning pin				●	●				●	●
25	44892-000	Feed regulator positioning pin friction spring				●	●				●	●

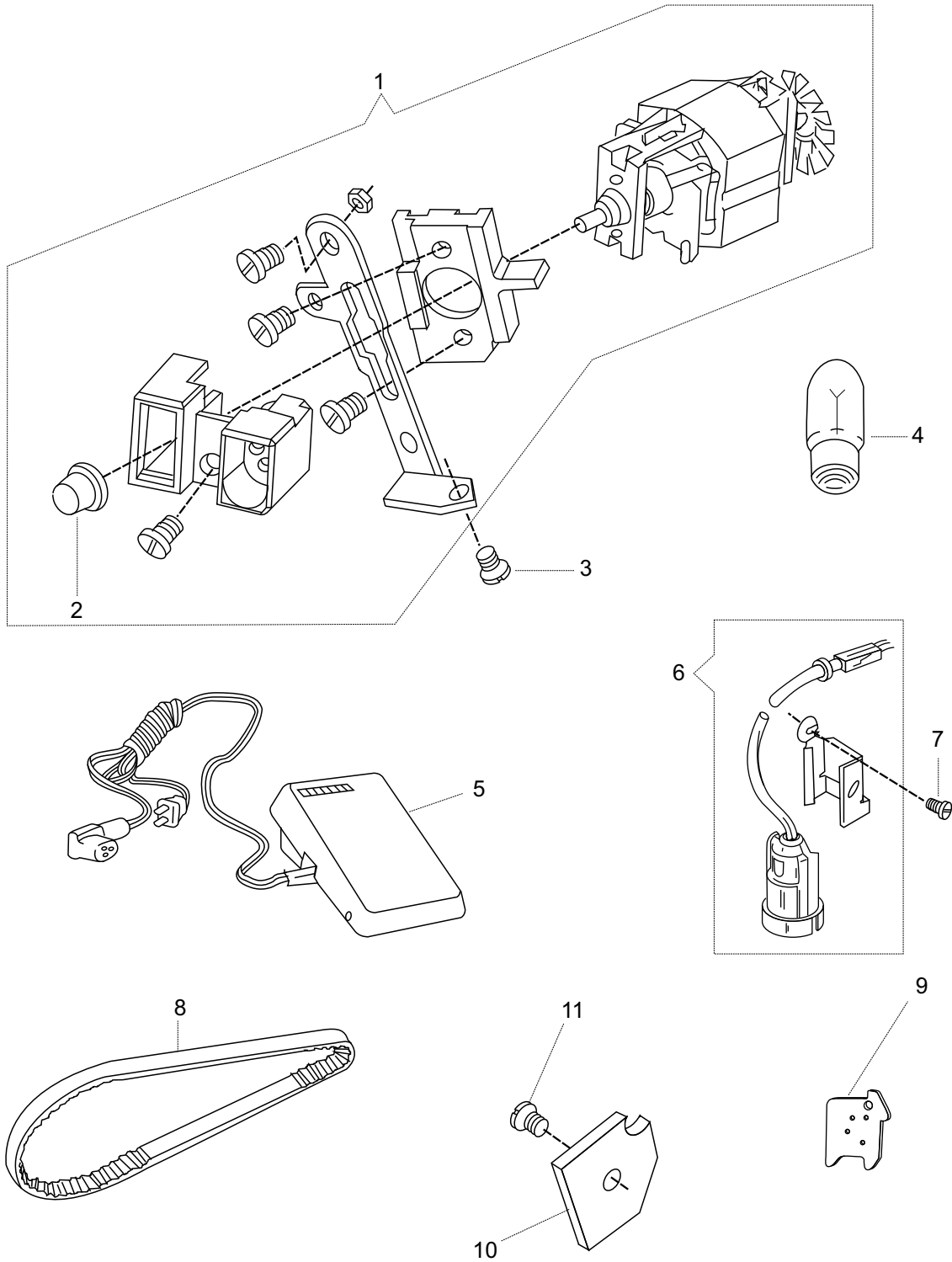
When you need a part number with the suffix (XXX), please indicate the machine model where will be used.

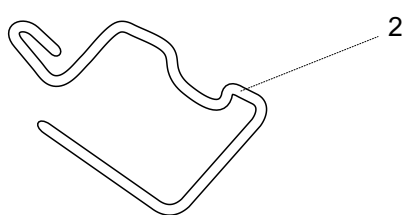
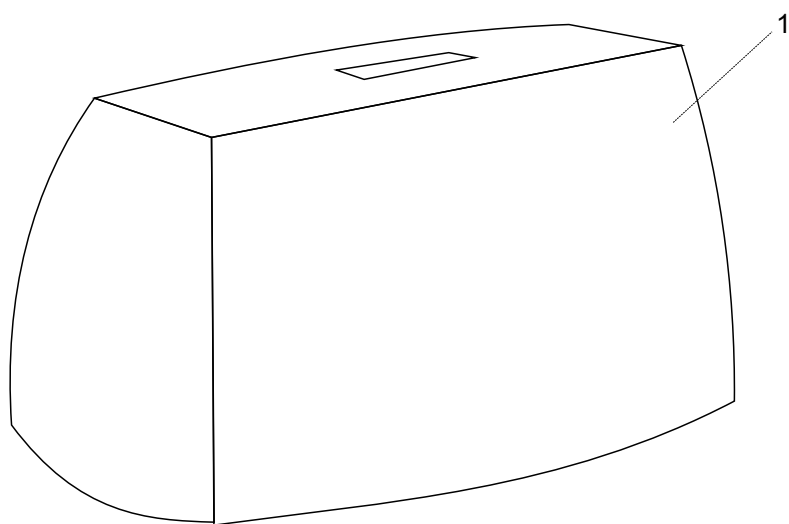
CAM CONTROLLED FEED



FEED SYSTEM







SINGER®