

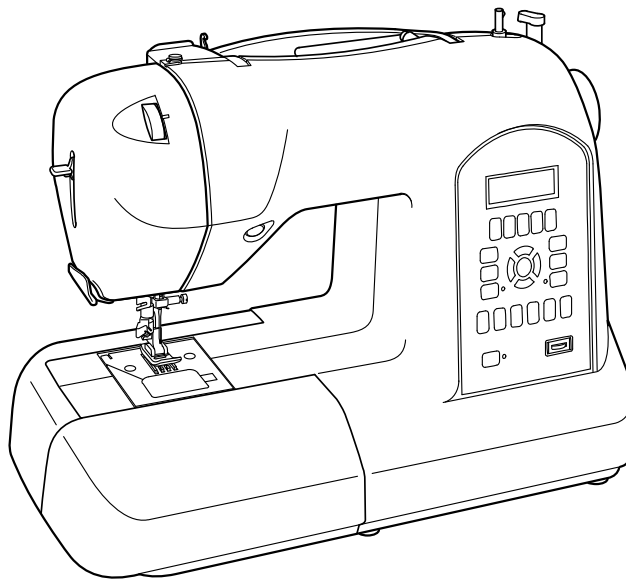


SINGER

| Curvy

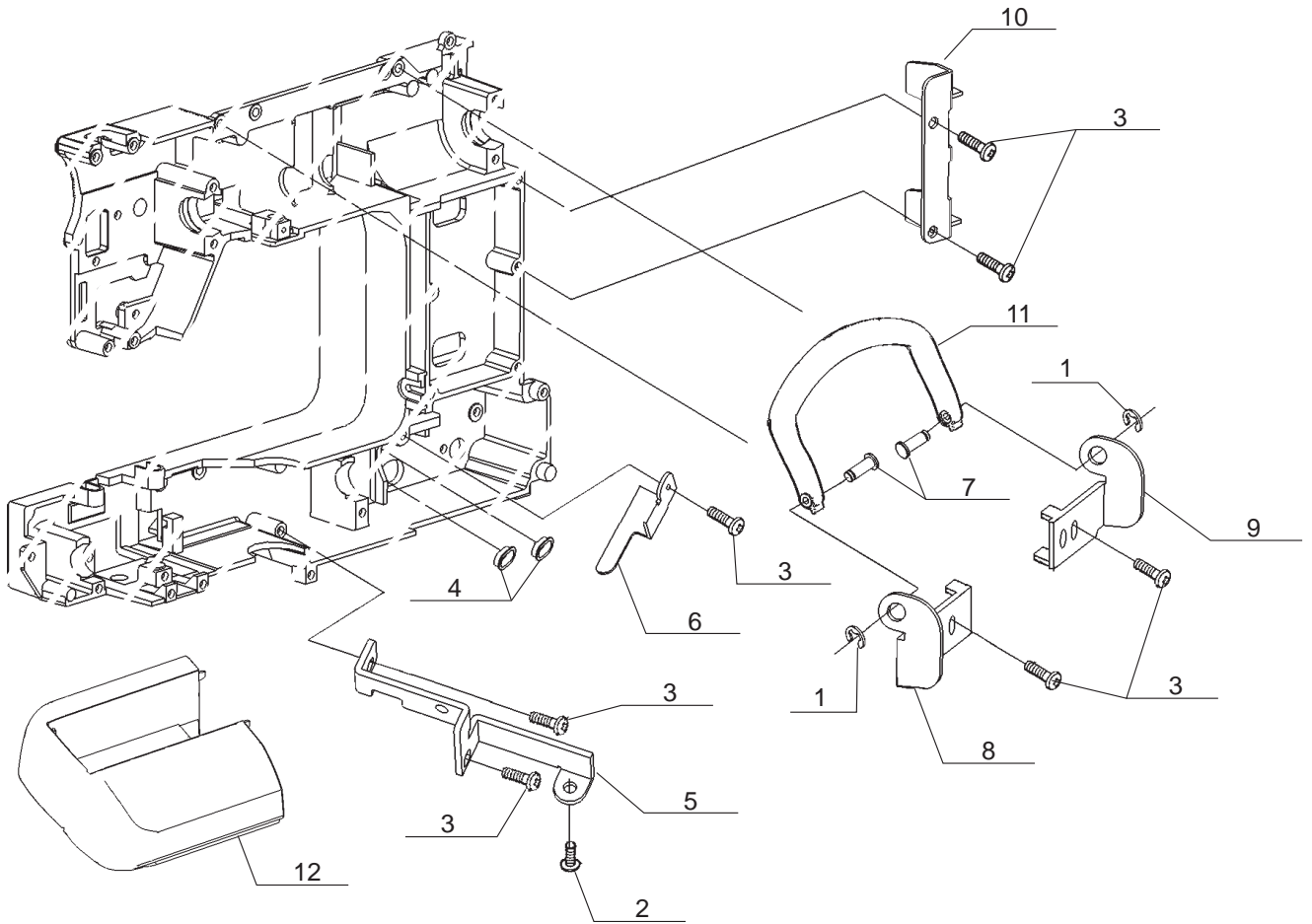
| Athena™

8763

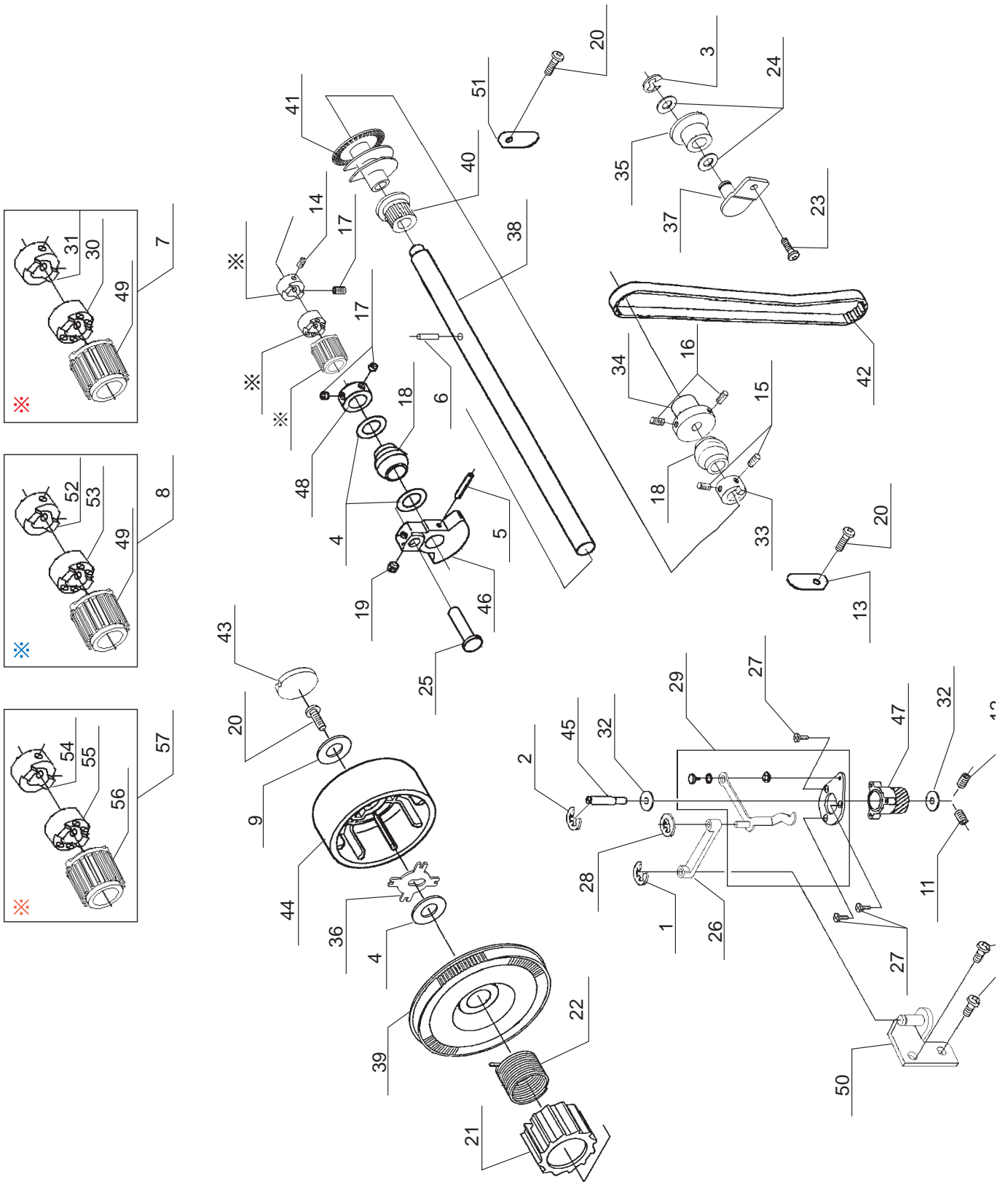


Liste de pièces
Lista de Piezas
Parts List

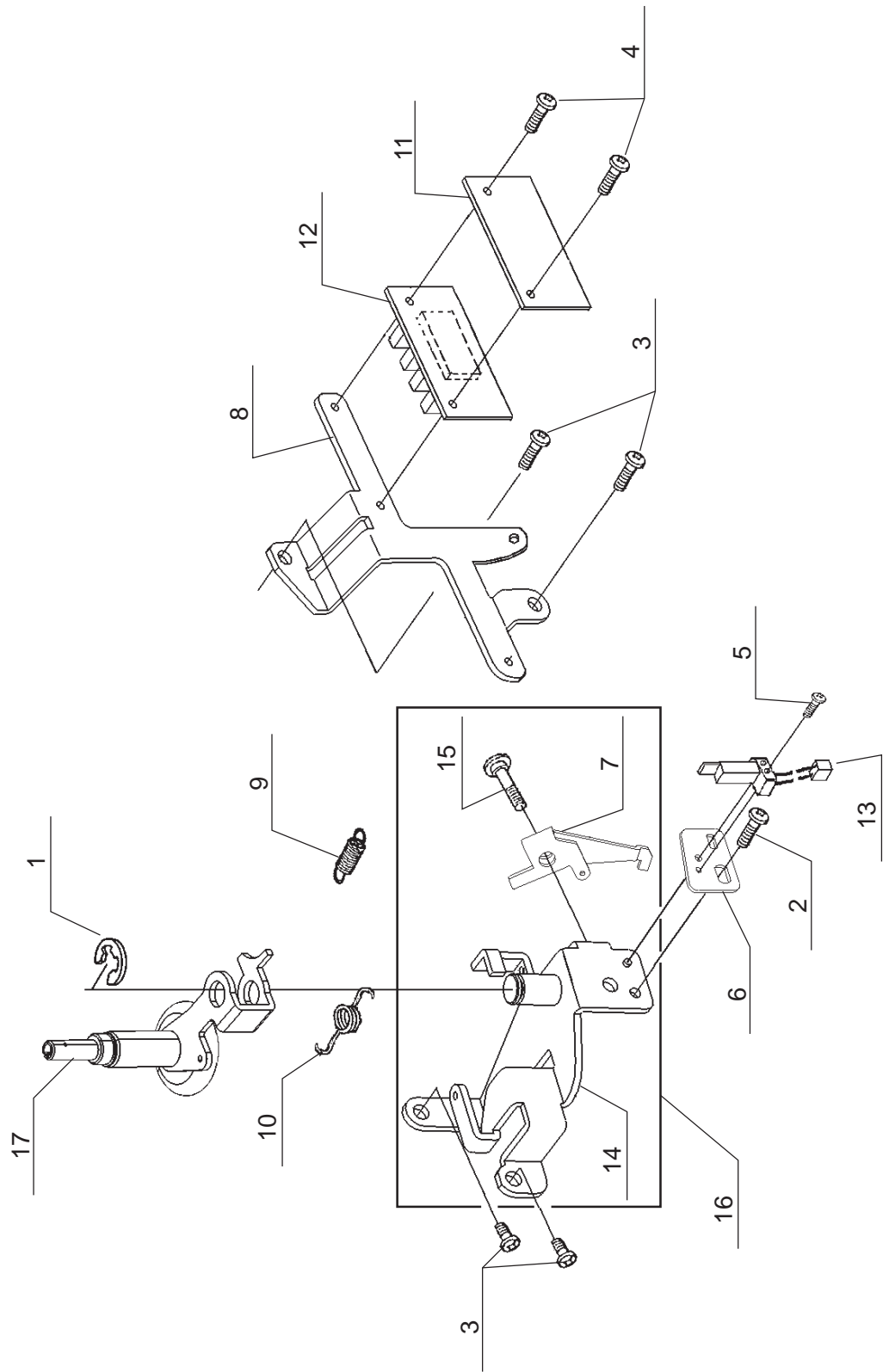
A



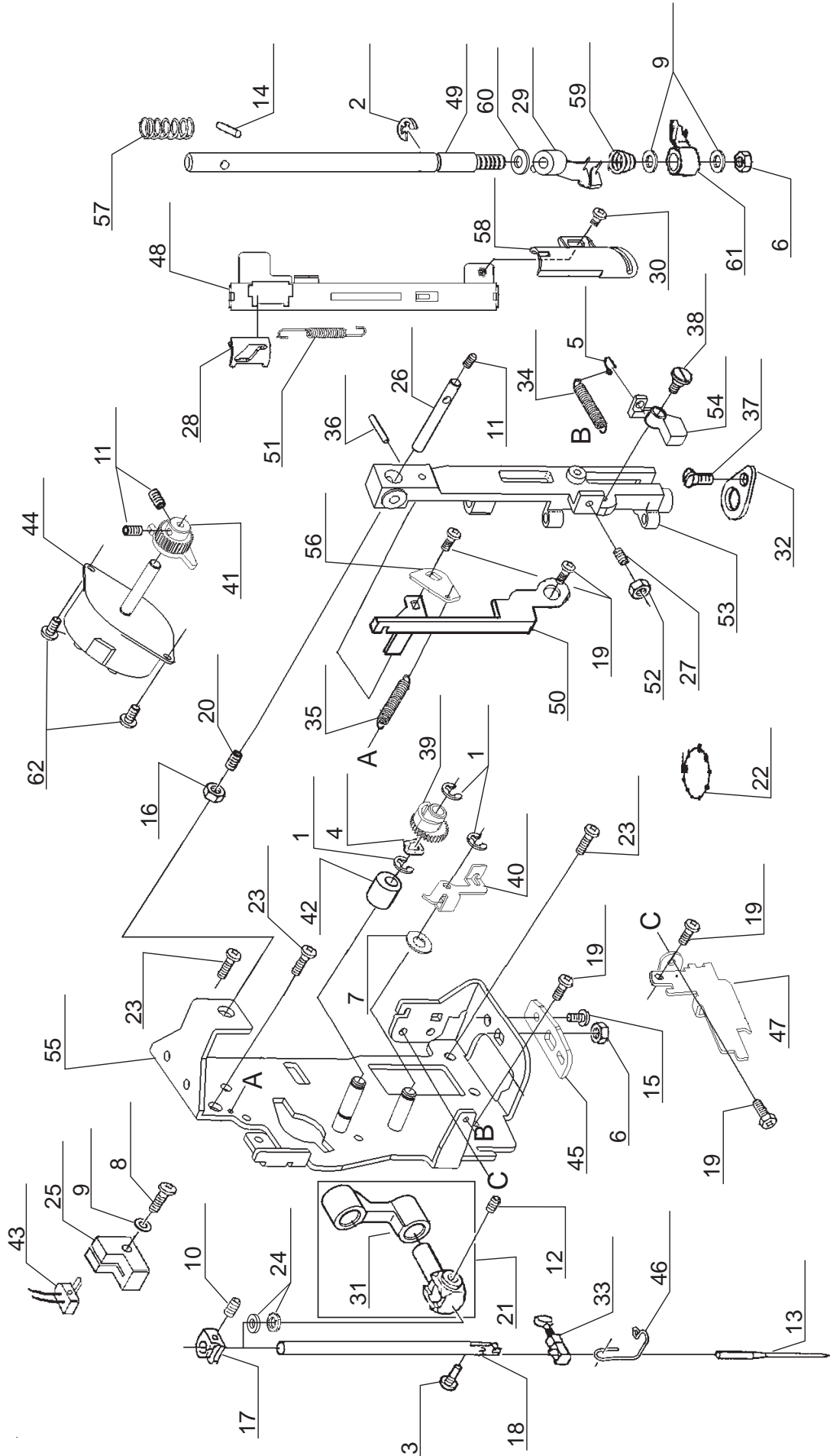
Pos	Part Number	Description
1	270 001513	E4 CLIP-ON-WASHER
2	270 061224	M4 PHILIPS SCREW
3	270 077042	M4 PHILIPS SCREW
4	270 080070	CORD GUIDE
5	416557601	BRACKET
6	270 087156	BRACKET
7	270 087216	PIN
8	416557701	HANDLE BRACKET (L)
9	416557801	HANDLE BRACKET (R)
10	416557901	BRACKET
11	270 088354	HANDLE
12	270 088369	ACC. BOX



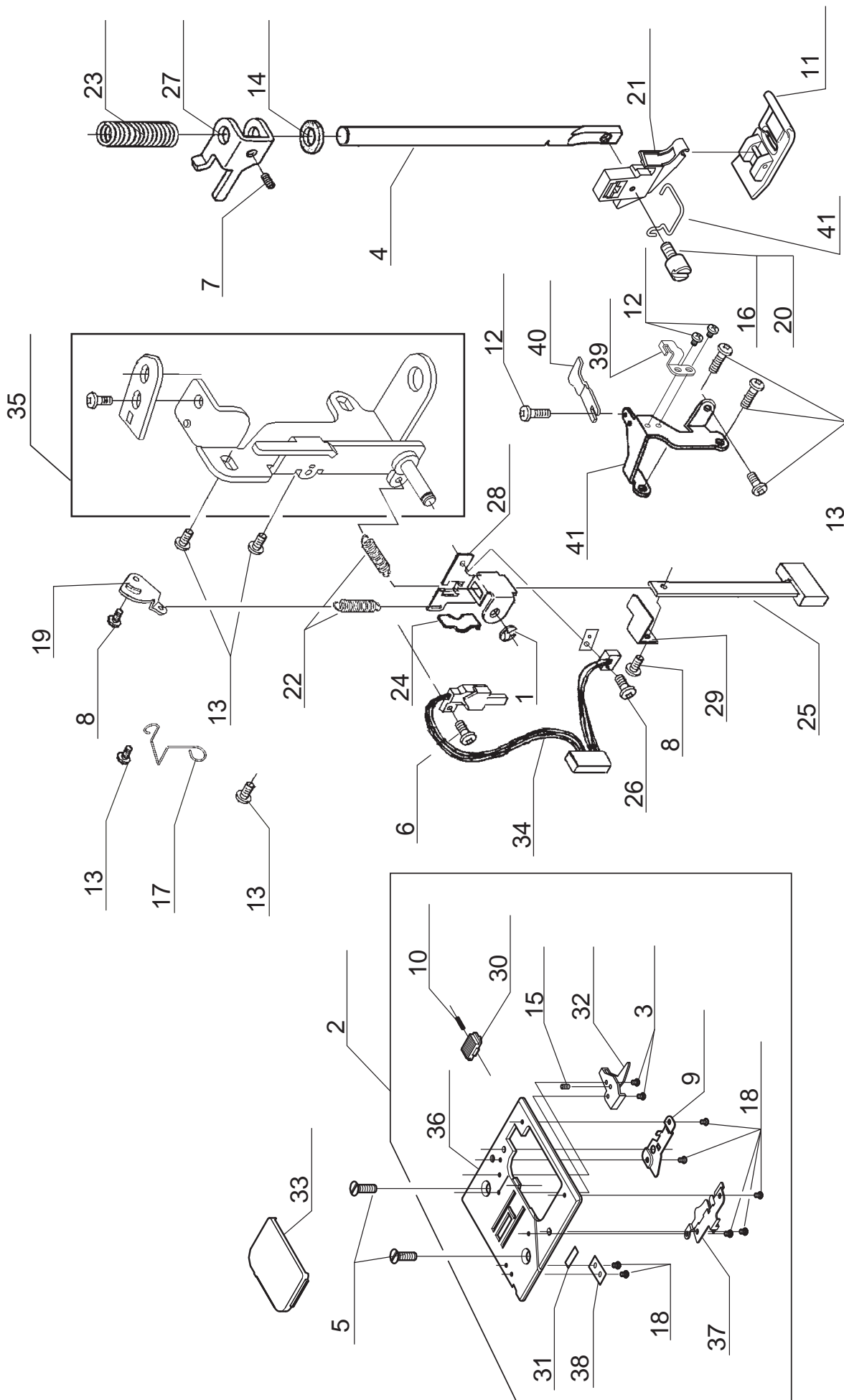
Pos	Part Number	Description
1	270 001513	E4 CLIP-ON-WASHER
2	270 008400	E5 CLIP-ON-WASHER
3	270 010963	E6 CLIP-ON-WASHER
4	270 043389	THRUST WASHER
5	270 043930	SPRING PIN
6	270 044066	SPRING PIN
7	□416558501	FIXING RING SET (USE 416558501 FOR 52072)
8	□416558501	FIXING RING SET (USE 416558501 FOR 52073)
9	270 053403	WASHER
10	270 061224	M4 PHILIPS SCREW
11	"270 062307"	M4 SCREW
12	"270 066052"	M4 SCREW
13	"270 066235"	SECURING PLATE
14	"270 066474"	M5 SCREW
15	"270 066725"	M4 SCREW
16	"270 066727"	M4 SCREW
17	"270 067447"	M5 SCREW
18	"270 068152"	BALL BUSH
19	"270 073371"	M6 SCREW
20	270 073434	M4 PHILIPS SCREW
21	270 075047	CLUTCH
22	270 075194	TORSION SPRING
23	270 075274	M4 PHILIPS SCREW
24	270 077056	WASHER
25	270 077434	HEADED PIN
26	416435901	TAKE-UP LEVER CRANK
27	416435101	TAPPING SCREW
28	270 077507	SNAP RING $\phi 4$
29	270 077531	TAKE-UP LEVER
30	□416558501	COUPLING□(USE 416558501 FOR 80137)
31	□416558501	FIXING RING (USE 416558501 FOR 80162)
32	416558001	WASHER
33	270 085013	POSITIONING COLLAR
34	270 085046	COLLAR
35	270 085138	TENSION ROLLER
36	270 085217	RETAINER
37	270 087125	IDLER PULLEY BRACKET
38	270 087200	MAIN SHAFT
39	270 087220	BELT PULLEY
40	270 087221	UPPER TIMING BELT GEAR
41	270 087241	ENCODER
42	270 087264	TIMING BELT
43	270 087288	PULLEY CAP
44	270 087299	PULLEY
45	416435601	STUD SCREW
46	416558101	BALANCER
47	416435701	GEAR
48	416558201	COLLAR
49	416558301	MAIN SHAFT GEAR
50	416558401	TAKE-UP LEVER SHAFT BLOCK
51	416555601	SECURING PLATE
52	□416558501	FIXING RING (USE 416558501 FOR 88461)
53	□416558501	COUPLING□(USE 416558501 FOR 88462)
54	□416558601	MAIN SHAFT GEAR
55	□416558501	COUPLING□(USE 416558501 FOR 88462)
56	□416558501	FIXING RING (USE 416558501 FOR 80162)
57	□416558501	FIXING RING SET



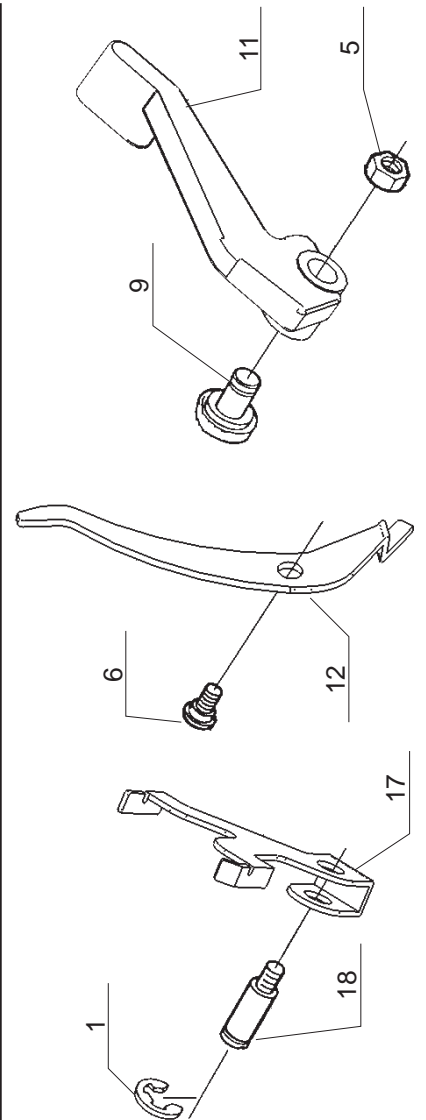
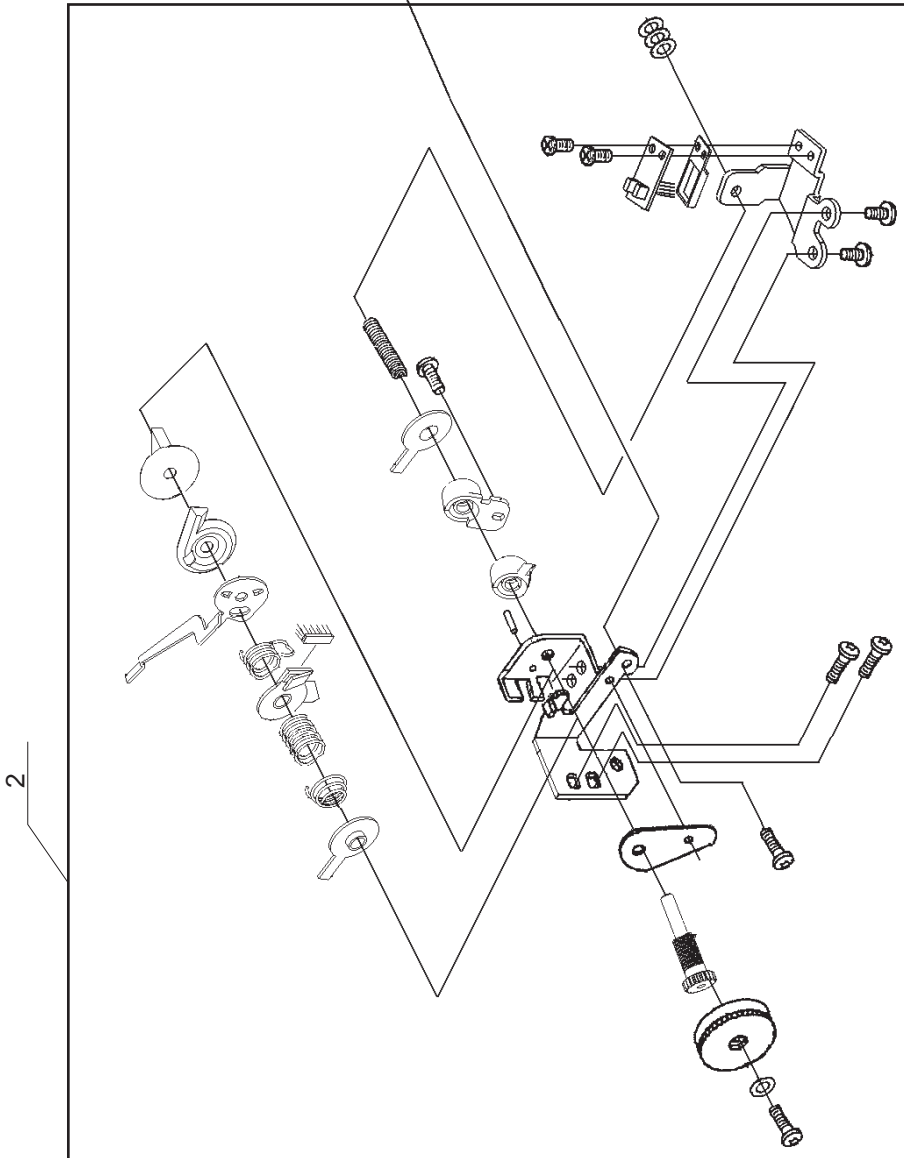
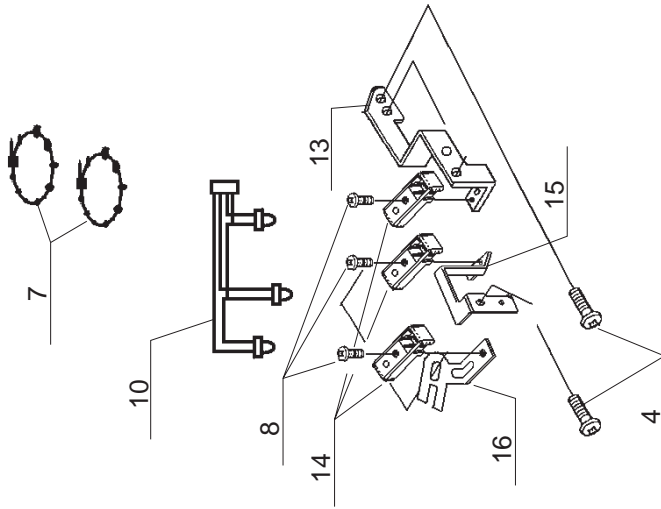
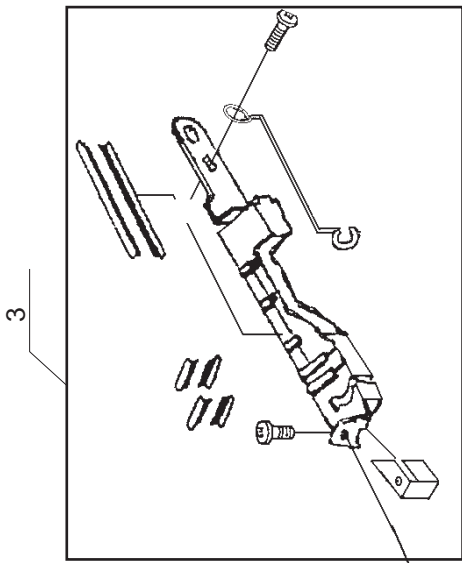
Pos	Part Number	Description
1	270 010963	E6 CLIP-ON-WASHER
2	270 073900	M3 PHILIPS SCREW
3	270 077042	M4 PHILIPS SCREW
4	270 077053	M3 PHILIPS SCREW
5	270 085274	M2 SCREW
6	270 087128	MOUNTING BRACKET
7	270 087129	RETAINER
8	270 087139	MOUNTING BRACKET
9	270 087180	EXTENSION SPRING
10	270 087182	TORSION SPRING
11	270 087242	INSULATION SHEET
12	416558701	PHOTO SENSOR CIRCUIT BOARD
13	270 087584	SWITCH HARNESS
14	270 087739	BOBBIN WINDER BRACKET
15	416503301	M3 SHOULDER SCREW
16	270 087750	BOBBIN WINDER BRACKET UNIT
17	270 088339	BOBBIN WINDER UNIT



Pos	Part Number	Description
1	270 001513	E4 CLIP-ON-WASHER
2	270 001520	E3 CLIP-ON-WASHER
3	270 026934	#8 SCREW
4	270 028735	CRINKLE WASHER
5	270 028917	HOOK FOR SPRING
6	270 031733	M3 NUT
7	270 053321	THRUST WASHER
8	270 063796	M3 SCREW
9	270 063805	WASHER
10	270 064359	M4 SCREW
11	270 064653	M3 SCREW
12	270 066725	M4 SCREW
13		NEEDLE
14	270 068343	PIN
15	270 072367	M4 CP SCREW
16	270 073299	M4 TORQUE NUT
17	270 075024	STOPPER
18	270 076183	NEEDLE BAR
19	270 076317	M3 PHILLIPS SCREW
20	270 076324	M4 SCREW
21	270 077037	NEEDLE BAR CLAMP
22	270 077041	UNITY FASTENER
23	270 077042	M4 PHILIPS SCREW
24	270 077043	FELT
25	270 077527	SENSOR COVER
26	270 080095	STRAIGHT PIN
27	416514001	M3 SCREW
28	270 080296	THREAD GUIDE C
29	270 080297	TWIN THREADING HOOK SET
30	270 086376	M3 SCREW
31	416555901	NEEDLE BAR CRANK
32	270 087111	NEEDLE BAR SWING BRACKET
33	270 087154	NEEDLE CLAMP SET
34	270 087183	SPRING
35	270 087188	SPRING
36	270 087207	STRAIGHT PIN
37	270 087211	M3 SCREW
38	270 087214	M3 SHOULDER SCREW
39	270 087235	ZIGZAG CAM WITH GEAR
40	270 087245	BELL CLANK FOR ZIGZAG
41	270 087246	PINION GEAR
42	270 087265	SPACER
43	270 087517	SWITCH HARNESS FOR ZIGZAG
44	270 087600	STEPPING MOTOR
45	270 087726	NEEDLE BAR ADJUSTING PLATE
46	270 088089	THREAD GUIDE
47	270 088317	THREAD GUIDE PLATE
48	416503901	THREAD GUIDE A
49	416504001	THREADER SHAFT
50	416504101	THREADER POSITIONING PLATE
51	416504201	EXTENSION SPRING
52	416514101	M3 AR NUT
53	416504301	NEEDLE BAR SUPPORT
54	416462001	ECCENTRIC CAM
55	416558801	NEEDLE BAR SUPPORT BRACKET
56	416558901	SECURING PLATE
57	416438301	COMPRESSION SPRING
58	416438401	THREAD GUIDE B
59	270 088432	SPRING
60	270 088433	WASHER
61	416438501	THREADER ASSEMBLY
62	270 080110	BOLT

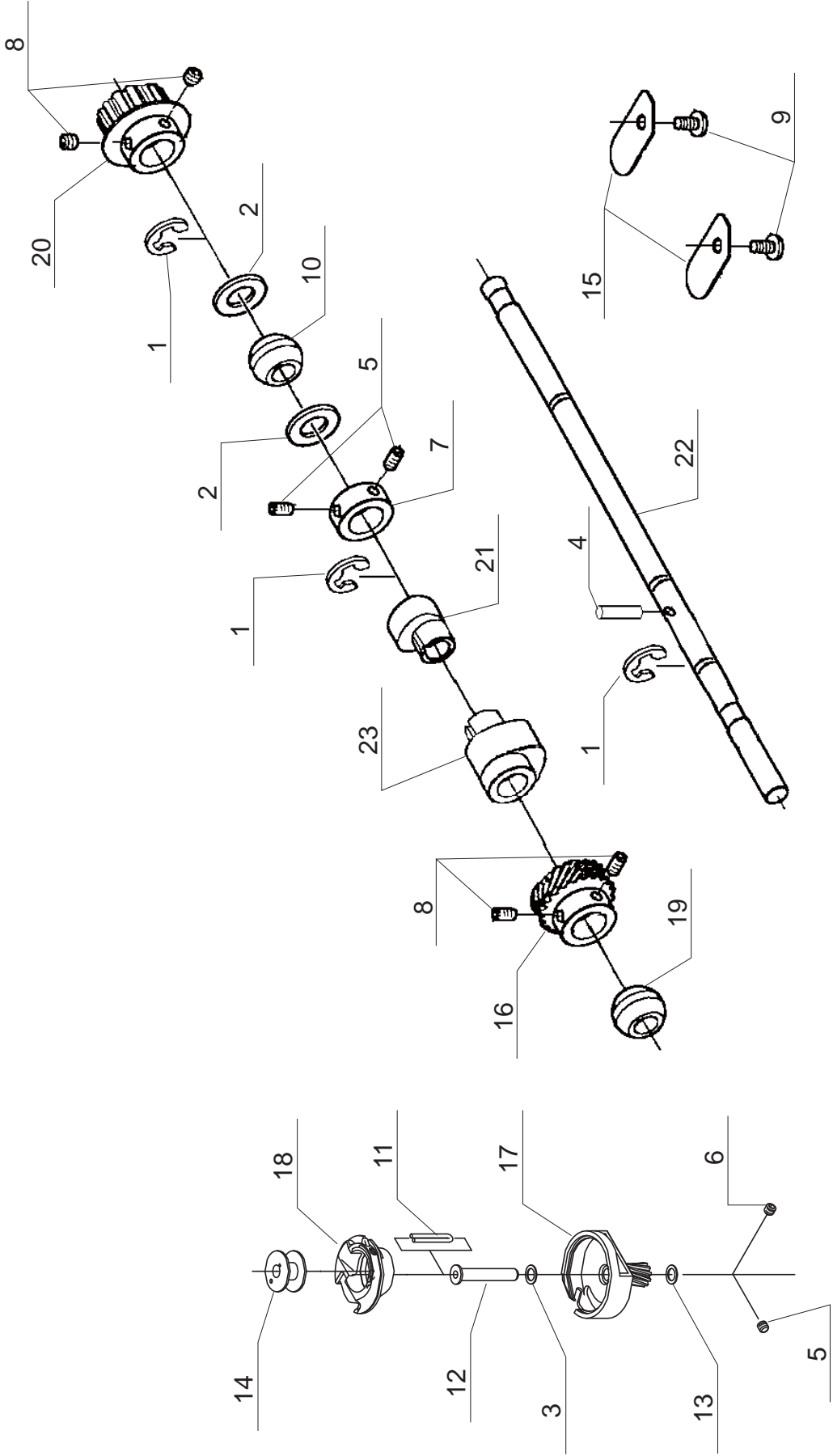


Pos	Part Number	Description
1	270 001520	E3 CLIP-ON-WASHER
2	270 051099	NEEDLE PLATE SET
3	270 056858	M2 PHILIPS SCREW
4	270 063278	PRESSER BAR
5	270 064051	M4 SCREW
6	270 066005	M2 PHILIPS SCREW
7	"270 066727"	M4 SCREW
8	270 073900	M3 PHILIPS SCREW
9	270 076114	COVER GUIDE (R)
10	270 076159	COMPRESSION LEVER
11	270 076251	ZIGZAG PRESSER FOOT
12	270 076317	M3 PHILIPS SCREW
13	270 077042	M4 PHILIPS SCREW
14	270 077043	FELT
15	270 079491	SCREW
16	270 068299	#7 SCREW FOR SHANK
17	270 080079	CORD GUIDE
18	270 080096	M2 PHILIPS SCREW
19	270 080102	CONTROL PLATE
20	416514401	SCREW FOR SHANK
21	270 085016	PRESSER FOOT HOLDER
22	270 085064	EXTENSION SPRING
23	270 085065	COMPRESSION SPRING
24	270 085181	LEAF SPRING
25	270 085198	BH PLATE (A)
26	270 085262	M2 SCREW
27	270 087114	PRESSURE BAR GUIDE
28	270 087117	BH PLATE (B)
29	270 087118	BH PLATE (C)
30	270 087234	RELEASE LEVER
31	270 087344	BLADE
32	416555701	THREAD CONTROL PLATE
33	270 087456	NEEDLE COVER PLATE
34	270 087507	BH SWITCH HARNESS
35	416559001	PRESSURE BAR BRACKET SET
36	270 088320	NEEDLE PLATE
37	270 088321	COVER GUIDE (L)
38	270 088322	BLADE PALTE
39	270 088323	BRACKET
40	270 088324	BOBBIN CASE STOPPER
41	270 088325	BRACKET
42	416514501	FINGER GARD

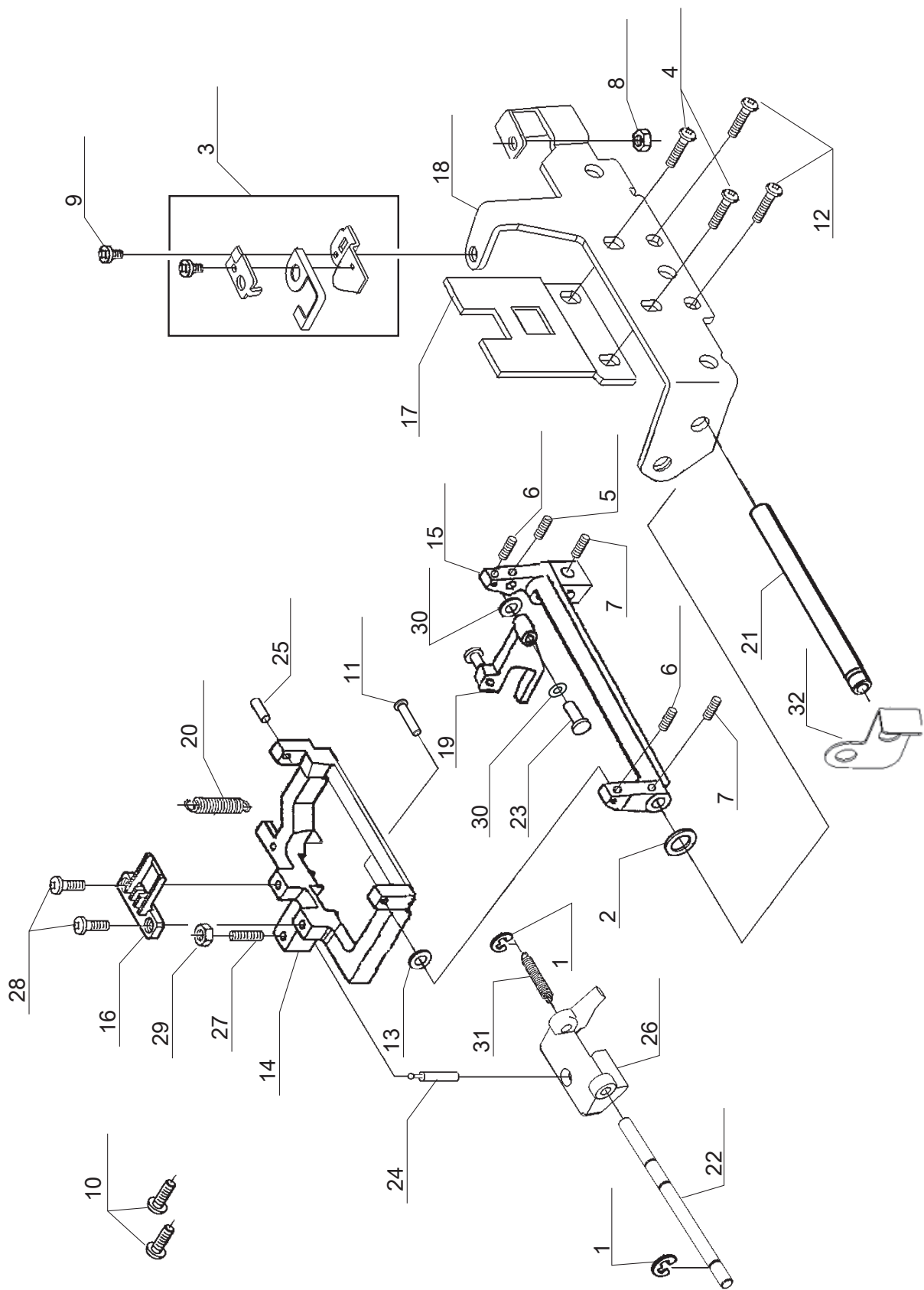


Pos	Part Number	Description
1	270 008400	E5 CLIP-ON-WASHER
2	270 052001	TENSION ASSY
3	270 052002	THREAD GUIDE PLATE ASSY
4	270 061222	M4 PHILIPS SCREW
5	270 062215	M4 NUT
6	270 072266	M4 STUD SCREW
7	270 077041	UNITY FASTENER
8	270 077057	M3 PHILIPS SCREW
9	270 087212	M4 SCREW
10	270 087623	LED LIGHT
11	270 087806	PRESSURE BAR LIFTER
12	270 088308	TENSION RELEASE LEVER
13	416506101	THREAD GUIDE PLATE
14	270 088314	LED LIGHT COVER
15	270 088315	LED LIGHT COVER BRACKET
16	270 088316	LED LIGHT COVER BRACKET
17	270 088333	BRACKET
18	416559101	STUD

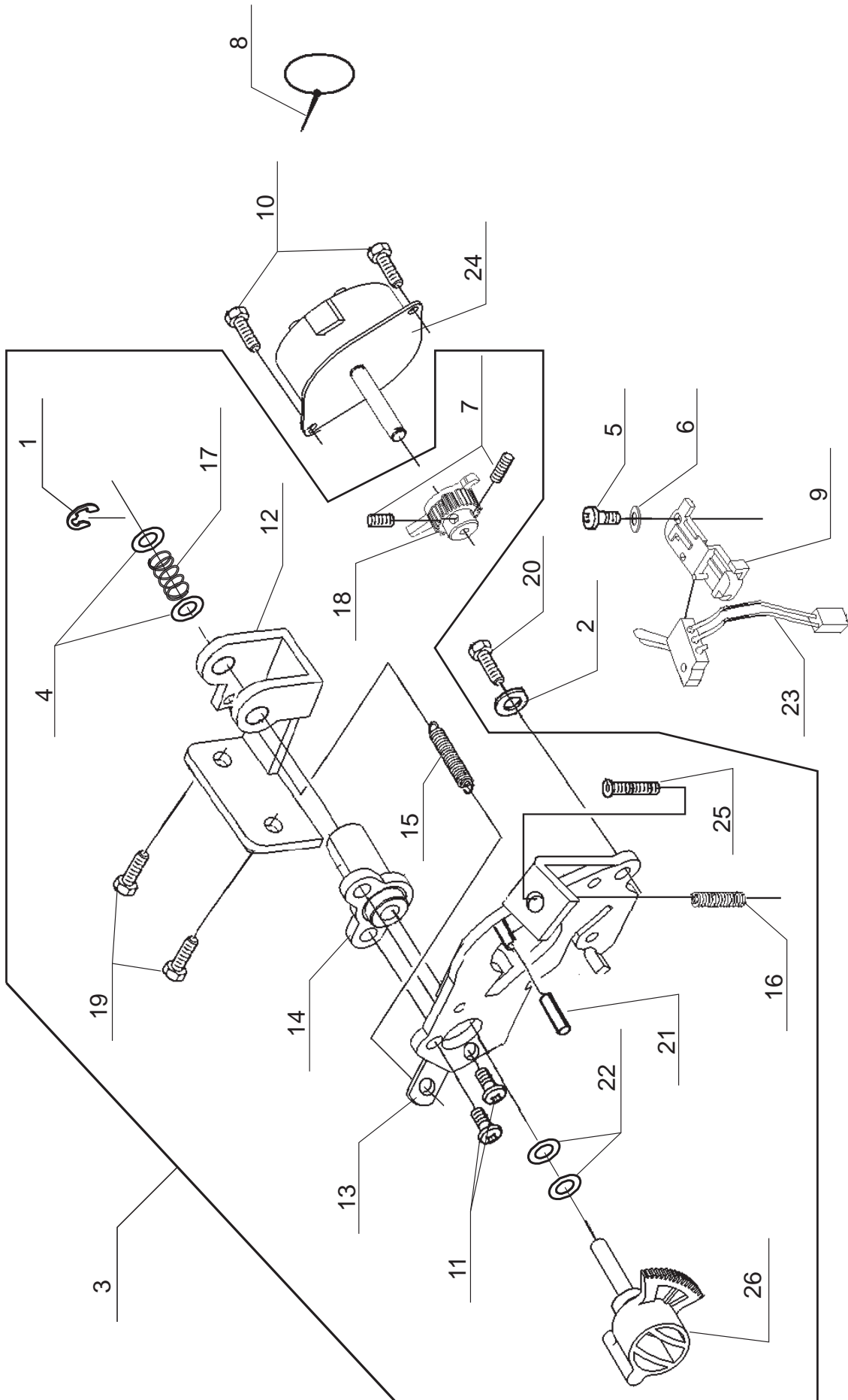
G



Pos	Part Number	Description
1	270 010963	E6 CLIP-ON-WASHER
2	270 043390	THRUST WASHER
3	270 043392	THRUST WASHER
4	270 064179	SPRING PIN
5	"270 066725"	M4 SCREW
6	"270 066727"	M4 SCREW
7	270 067444	COLLAR
8	"270 067447"	M5 SCREW
9	270 073434	M4 PHILIPS SCREW
10	270 076141	BALL METAL
11	270 076203	OILING CORD
12	270 080078	SHUTTLE RACE SHAFT
13	416514601	WASHER
14	270 085128	BOBBIN
15	270 085247	SECURING PLATE
16	270 087050	BEVEL GEAR
17	270 087051	SHUTTLE RACE
18	270 087061	BOBBIN CASE
19	270 087170	BALL METAL
20	270 087171	TIMING BELT GEAR (LOWER)
21	270 087228	FEED CAM
22	270 088114	LOWER STRAIGHT SHAFT
23	270 088115	LIFTING CAM

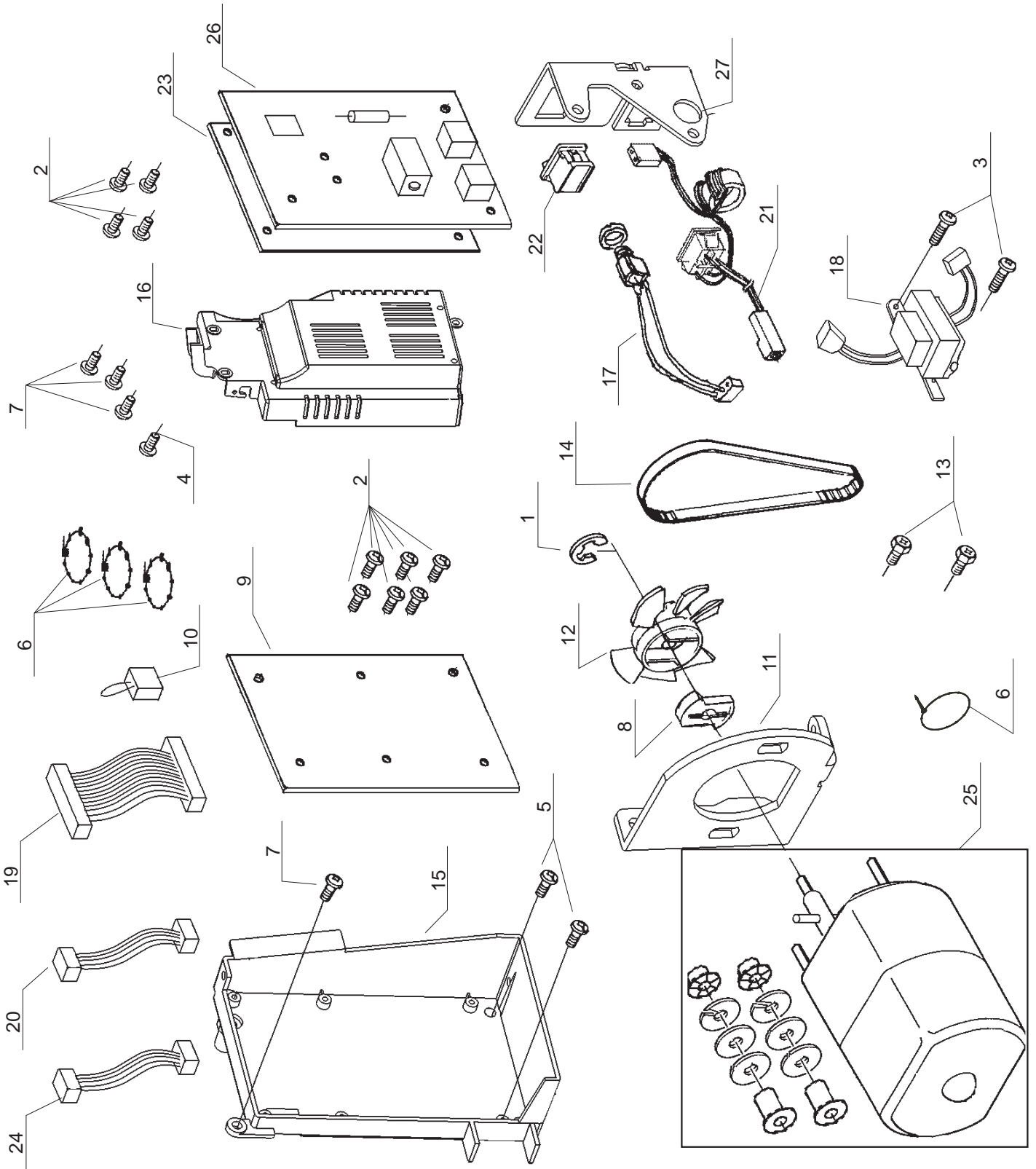


Pos	Part Number	Description
1	270 001520	E3 CLIP-ON-WASHER
2	270 032949	WASHER
3	270 051058	RETAINER SET
4	270 061221	M4 PHILLIPS SCREW
5	270 061333	M4 SCREW
6	270 064653	M3 SCREW
7	"270 066725"	M4 SCREW
8	270 073299	M4 TORQUE NUT
9	270 073900	M3 PHILLIPS SCREW
10	270 075274	M4 PHILLIPS SCREW
11	270 076132	SHAFT
12	270 077042	M4 PHILLIPS SCREW
13	270 085252	WASHER
14	270 087103	FEED DOG BASE
15	270 087104	FEED DOG BASE SUPPORT
16	270 087105	FEED DOG
17	270 087122	SUPPORT PLATE
18	270 087145	SECURING BRACKET
19	270 087174	FORKED CRANK
20	270 087186	TORSION SPRING
21	270 087202	SHAFT
22	270 087203	SHAFT
23	270 087206	PIN
24	270 087208	BALL HEADED □ PIN
25	270 087210	PIN
26	270 087226	VERTICAL FEED BLOCK
27	270 087232	M6 STUD SCREW
28	270 087262	M3 CP SCREW
29	270 087268	M6 NUT
30	270 087269	WASHER
31	270 087433	TORSION SPRING
32	416506801	SECURING PLATE



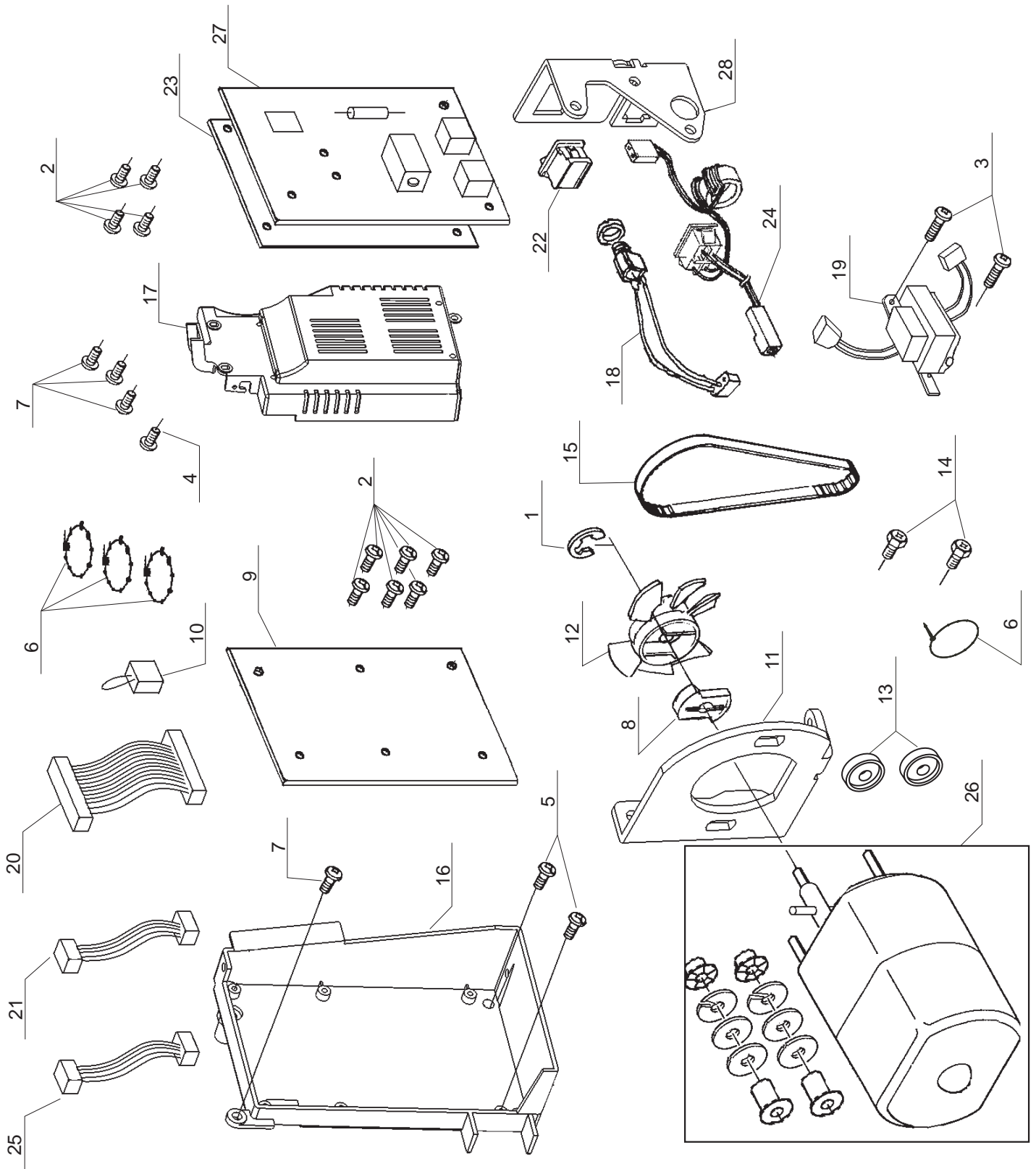
Pos	Part Number	Description
1	270 001513	E4 CLIP-ON-WASHER
2	270 031246	WASHER
3	270 051049	FEED REGULATOR UNIT
4	270 059221	WASHER
5	270 063796	M3 SCREW
6	270 063805	WASHER
7	270 064653	M3 SCREW
8	270 077041	UNITY FASTENER
9	270 077527	SENSOR COVER
10	270 080110	M3 PHILIPS SCREW
11	416442801	M3 PHILIPS SCREW
12	270 087146	BRACKET
13	270 087148	STEPPING MOTOR BRACKET
14	270 087178	FEED REGULATOR SHAFT METAL BUSH
15	270 087188	EXTENSION SPRING
16	270 087189	COMPRESSION SPRING
17	270 087191	COMPRESSION SPRING
18	270 087253	PINION GEAR
19	270 087261	CP BOLT
20	270 087262	M3 CP SCREW
21	270 087273	PIN
22	270 087274	WASHER
23	270 087516	SWITCH HARNESS
24	270 087600	STEPPING MOTOR
25	270 087668	M4 BOLT
26	270 088118	FEED REGULATOR

K 120V

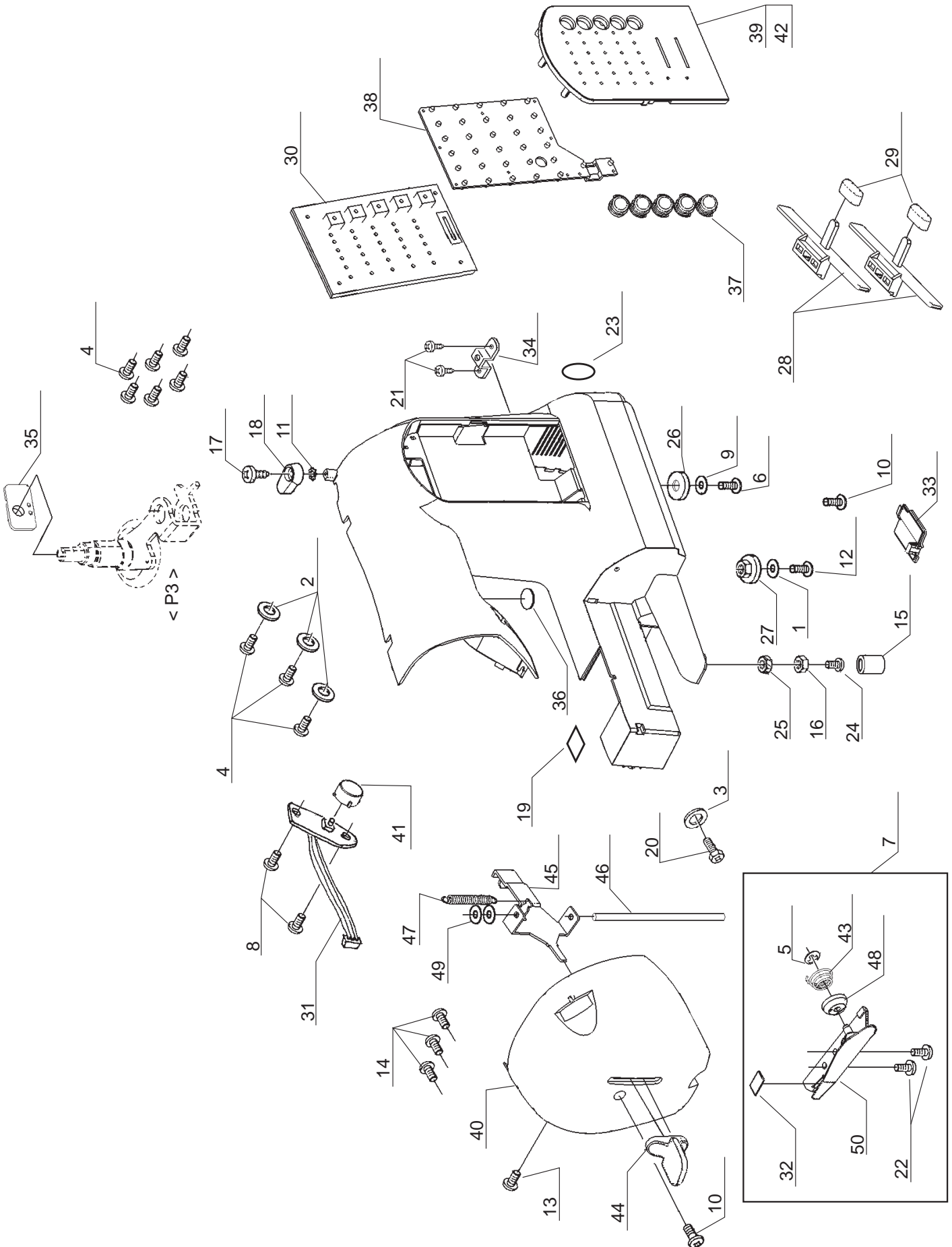


Pos	Part Number	Description
1	270 001520	E3 CLIP-ON-WASHER
2	270 039213	M3 SCREW
3	270 061222	M4 PHILIPS SCREW
4	270 061224	M4 PHILIPS SCREW
5	270 061225	M4 PHILIPS SCREW
6	270 077041	UNITY FASTENER
7	270 077042	M4 PHILLIPS SCREW
8	270 077614	GEAR CLUTCH
9	270 087594	CPU CIRCUIT BOARD
10	270 086945	JUMPER HARNESS
11	270 087126	MAIN MOTOR BRACKET
12	270 087237	MOTOR FAN
13	270 087261	CP BOLT
14	270 087263	DRIVING BELT
15	270 087291	CPU CIRCUIT BOARD BOX
16	270 087316	AC CIRCUIT BOARD BOX
17	270 087513	PIN-JACK HARNESS
18	270 087514	TRANSFORMER
19	270 087522	13P CORD HARNESS
20	270 087524	5P CORD HARNESS
21	270 087536	INLET HARNESS
22	270 087541	SWITCH
23	270 087542	INSULATION SHEET
24	270 087523	CORD HARNESS
25	270 087616	MAIN MOTOR
26	270 087625	CIRCUIT BOARD
27	416559201	SWITCH BRACKET

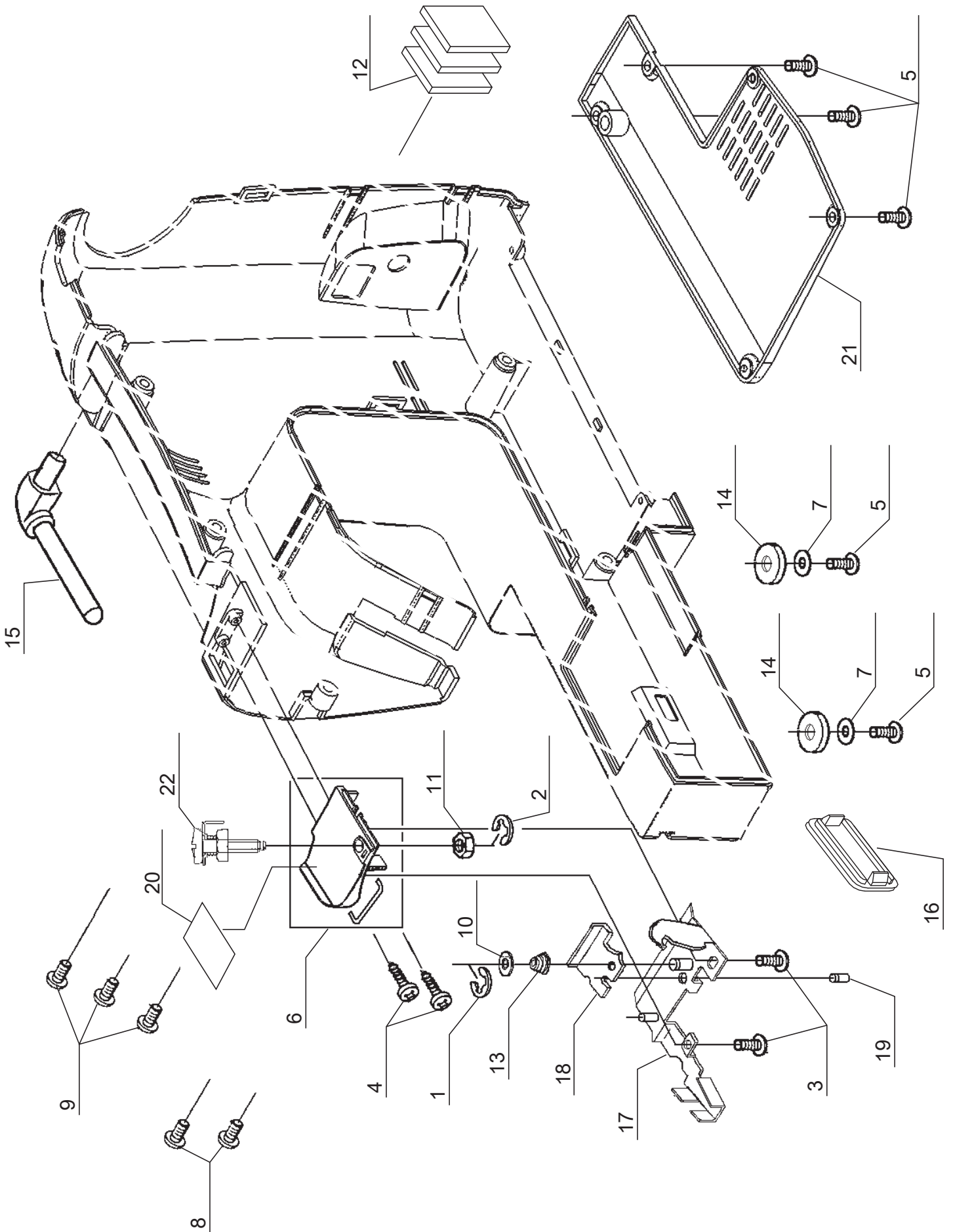
L 230V



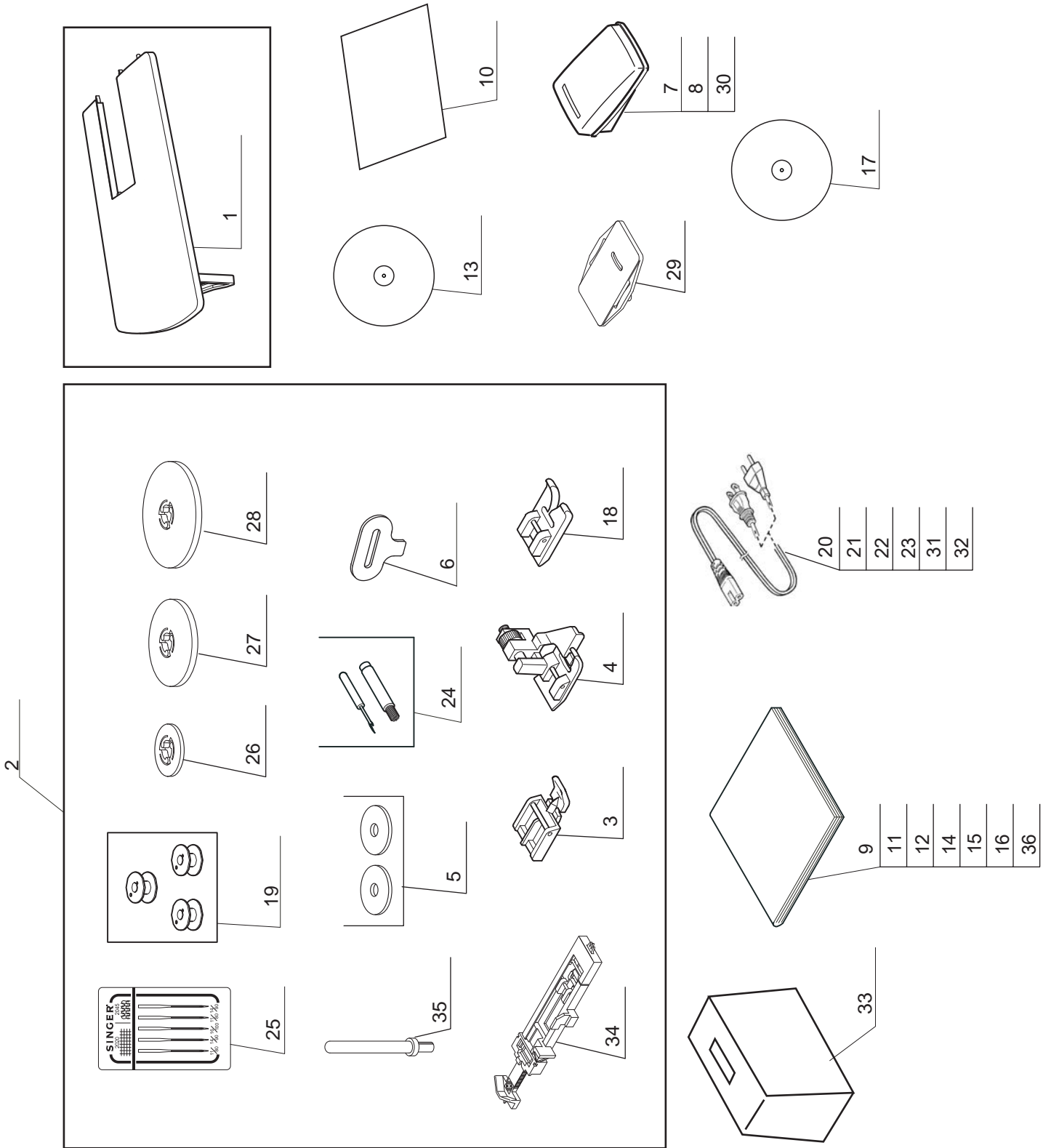
Pos	Part Number	Description
1	270 001520	E3 CLIP-ON-WASHER
2	270 039213	M3 SCREW
3	270 061222	M4 PHILIPS SCREW
4	270 061224	M4 PHILIPS SCREW
5	270 061225	M4 PHILIPS SCREW
6	270 077041	UNITY FASTENER
7	270 077042	M4 PHILLIPS SCREW
8	270 077614	GEAR CLUTCH
9	270 087594	CPU CIRCUIT BOARD
10	270 086945	JUMPER HARNESS
11	270 087126	MAIN MOTOR BRACKET
12	270 087237	MOTOR FAN
13	270 087257	BUSH
14	270 087261	CP BOLT
15	270 087263	DRIVING BELT
16	270 087291	CPU CIRCUIT BOARD BOX
17	270 087316	AC CIRCUIT BOARD BOX
18	270 087513	PIN-JACK HARNESS
19	270 087519	TRANSFORMER
20	270 087522	13P CORD HARNESS
21	270 087524	5P CORD HARNESS
22	270 087541	SWITCH
23	270 087542	INSULATION SHEET
24	270 087575	INLET HARNESS
25	270 087523	CORD HARNESS
26	416507401	MAIN MOTOR
27	270 087629	CIRCUIT BOARD
28	416559201	SWITCH BRACKET



Pos	Part Number	Description
1	270 002744	WASHER
2	270 025670	WASHER
3	270 031246	WASHER
4	270 039213	M3 SCREW
5	270 039615	CLIP-ON-WASHER
6	270 044261	M4 SCREW
7	416559301	THREAD HOLDER SET
8	270 058024	TAPPING SCREW
9	270 059221	WASHER
10	270 061222	M4 PHILIPS SCREW
11	270 064360	TOOTHED WASHER
12	270 064617	TAPPING SCREW
13	270 065736	M4 PHILIPS SCREW
14	270 065826	M3 SCREW
15	416509201	RUBBER CUSHION
16	270 073299	M4 TORQUE NUT
17	270 074795	TAPPING SCREW
18	270 076440	BOBBIN WINDER LATCH
19	270 076511	SEAL
20	270 077044	M3 PHILIPS SCREW
21	270 077403	SCREW
22	416435101	M3 SCREW
23	416458601	SEAL
24	270 086038	STUD SCREW
25	270 087218	NUT
26	416509301	RUBBER FOOT
27	270 087271	RUBBER FOOT
28	270 087293	SLIDE LEVER
29	270 087404	KNOB
30	270 087526	SWITCH CIRCUIT BOARD
31	270 087582	SWITCH HARNESS
32	270 087766	BLADE
33	270 088103	COVER
34	416509401	FRONT COVER BRACKET
35	416559601	BRACKET
36	416509501	PLATE
37	270 088371	PATTERN SWITCH
38	270 088372	LED PANEL
39	270 088375	CONTROL PANEL (model Curvy 8763)
40	270 088382	FACE COVER
41	270 088383	BUTTON
42	416559701	CONTROL PANEL (model Athena 2009)
43	416452101	SPRING
44	270 088415	THREADER LEVER
45	416509601	BRACKET
46	416452001	THREADER SHAFT
47	416452201	EXTENSION SPRING
48	416452301	HOLDER TENSION DISC
49	270 088433	WASHER
50	416452401	THREAD HOLDER



Pos	Part Number	Description
1	270 001520	E3 CLIP-ON-WASHER
2	270 027925	E2.5 CLIP-ON-WASHER
3	270 039163	TAPPING SCREW
4	270 039213	M3 SCREW
5	270 044261	M4 SCREW
6	270 052013	TENSION COVER
7	270 059221	WASHER
8	270 061224	M4 PHILIPS SCREW
9	270 064484	TAPPING SCREW
10	270 072858	WASHER
11	270 073299	M4 TORQUE NUT
12	270 076274	SPACER
13	270 086999	SPRING
14	416509301	RUBBER FOOT
15	270 087296	SPOOL PIN UNIT
16	270 087483	CAP
17	416510001	THREAD PLATE
18	416510101	THREAD REGULATE PLATE
19	416451101	PIN
20	270 088345	SEAL
21	270 088353	BOTTOM COVER
22	416510201	M4 SPECIAL SCREW UNIT



Pos	Part Number	Description
1	270 051064	EXTENSION TABLE
2	270 052012	ACCESSORY SET
3	416437001	ZIPPER FOOT
4	416437101	BLIND STITCH FOOT
5	270 077040	SPOOL PIN DISC
6	270 079455	LARGE SCREW DRIVER
7	416436101	FOOT CONTROL (PIN-JACK TYPE)
8	270 081495	FOOT CONTROL (PIN-JACK TYPE)
9	416556545	INSTRUCTION BOOK (Eng/Fre/Spa) (for model 8763)
10	416556605	QUICK START GUIDE SEET (USA ONLY)
11	416556533	INSTRUCTION BOOK (Ita/Dut/Ger)
12	416556535	INSTRUCTION BOOK (Dan/Swe/Nor/Fin)
13	416556604	QUICK START GUIDE DVD (USA ONLY)
14	416556539	INSTRUCTION BOOK (Turkish/Eng/Fre)
15	416556540	INSTRUCTION BOOK (Brazil/Portugal)
16	416556541	INSTRUCTION BOOK (Eng/Fre/Spa) (for model 2009)
17	416556606	PRESSER FEET GUIDE DVD (model 2009 Only)
18	270 085015	SATIN FOOT
19	270 085128	BOBBIN
20	270 085338	POWER CORD (UK, MALAYSIA ONLY)
21	412157801	POWER CORD (230V)
22	416557101	POWER CORD (AUSTRALIA ONLY)
23	270 085354	POWER CORD (CHINA ONLY)
24	270 006099008	BUTTONHOLE OPENER / BRUSH
25	260 353364000	NEEDLE SET
26	270 087287	SPOOL PIN CAP (MINI)
27	270 087289	SPOOL PIN CAP (SMALL)
28	270 087290	SPOOL PIN CAP (LARGE)
29	270 087294	DARNING PLATE
30	270 087532	FOOT CONTROL (PIN-JACK TYPE)
31	270 087534	POWER CORD (120V)
32	416540601	POWER CORD (BRAZIL ONLY)
33	270 088126	VINYL COVER
34	416465601	BUTTONHOLE FOOT
35	270 088366	SPOOL PIN
36	416556550	INSTRUCTION BOOK (Cze/Svk/Hun/Pol)