

# SINGER<sup>\*</sup> CXL

**Sewing Machine Quantum CXL LIST OF PARTS**  
*Professional XL-10*  
CXL

---

# SINGER\*

---

\* Copyright © 1991 SINGER  
All Rights Reserved Throughout the World

\* A Trademark of THE SINGER COMPANY

---

---

## List of parts

---

---

### Sewing Machine

---

*Quantum CXL*

---

*Professional XL-10*

---

*CXL*

---

## CONTENTS

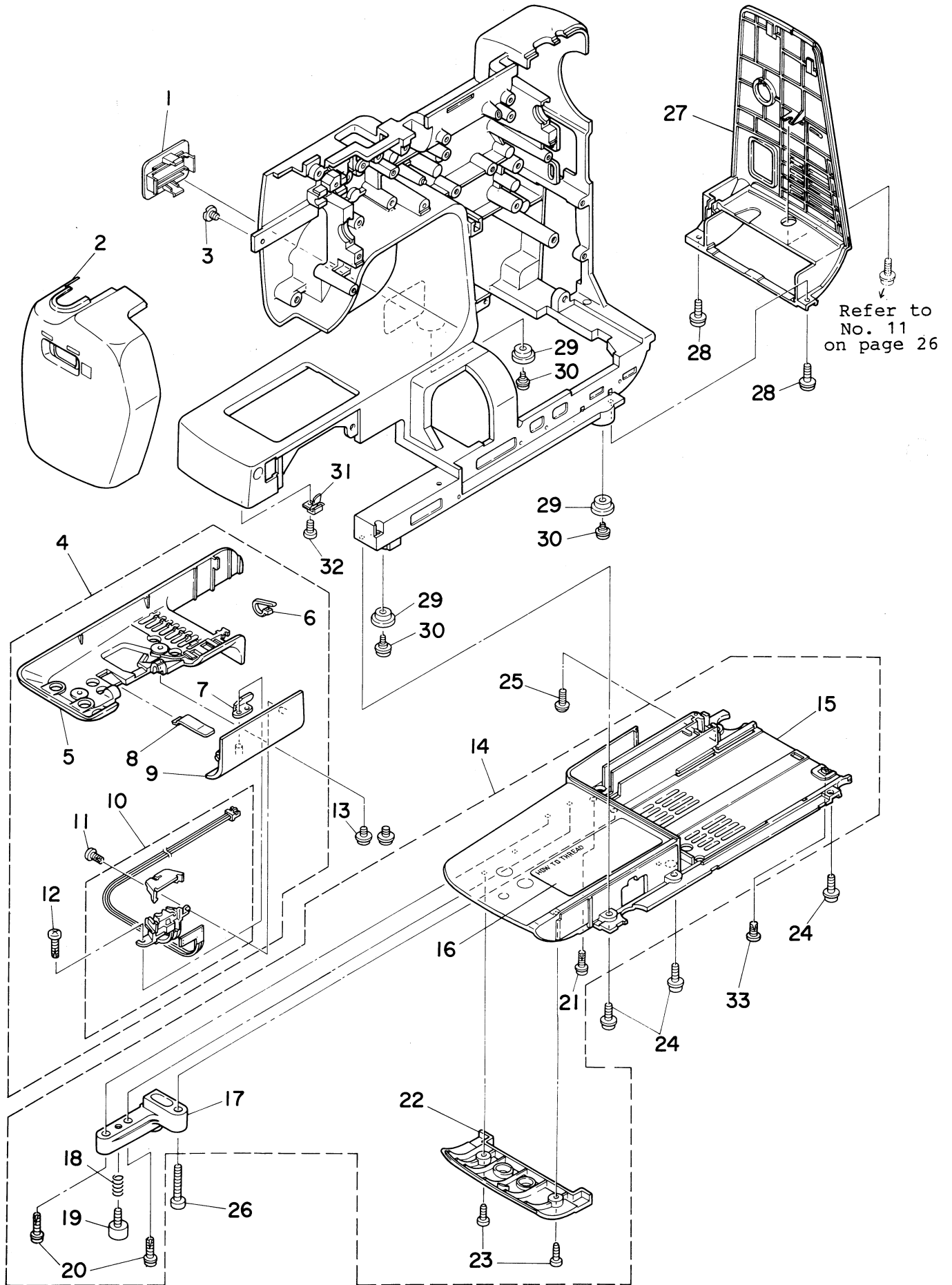
	(Page)
1. COVER COMPONENTS .....	1
2. THREAD GUIDE COVER, MICRO COMPUTER CIRCUIT BOARD COMPONENTS .....	3
3. FRONT PANEL COMPONENTS .....	5
4. MAIN SHAFT, IDLER PULLEY COMPONENTS .....	7
5. FACE PLATE, ENCODER, SOLENOID No.1 COMPONENTS .....	9
6. SOLENOID No.2, THREAD SENSOR GUIDE, TENSION RELEASING PLATE COMPONENTS .....	11
7. NEEDLE BAR, PRESSER BAR COMPONENTS .....	13
8. THREAD TRIMMER LINK, MOVING KNIFE COMPONENTS .....	15
9. HOOK, HOOK DRIVING SHAFT COPONENTS .....	17
10. FEED DOG, FEED ROCK SHAFT COMPONENTS .....	19
11. BOBBIN WINDER COMPONENTS .....	21
12. NEEDLE BAR ROCKING STM, FEED STM COMPONENTS .....	23
13. POWER CIRCUIT BOARD, MAIN MOTOR COMPONENTS .....	25
14. ACCESSORIES PARTS COMPONENTS .....	27
15. OPTIONAL PART .....	27
16. NUMERICAL INDEX OF PARTS .....	29

### (Note)

The part which has an asterisk (\*) before its part number is not separately available as a spare part so that the accuracy in assembling and smoothness in component investigation are assured.

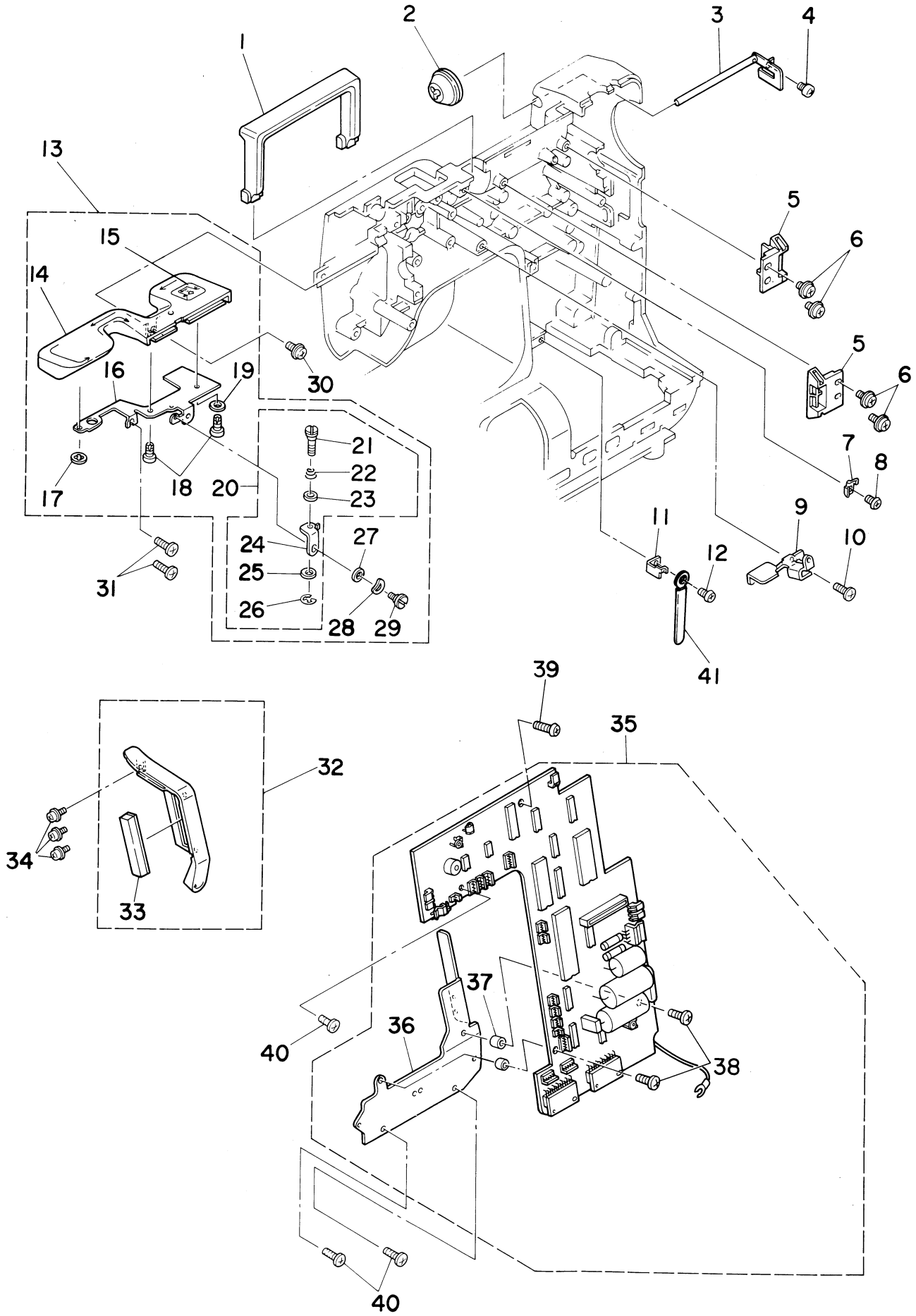
Consequently, please place your order using the part number of assembly containing the part.

# 1. COVER COMPONENTS



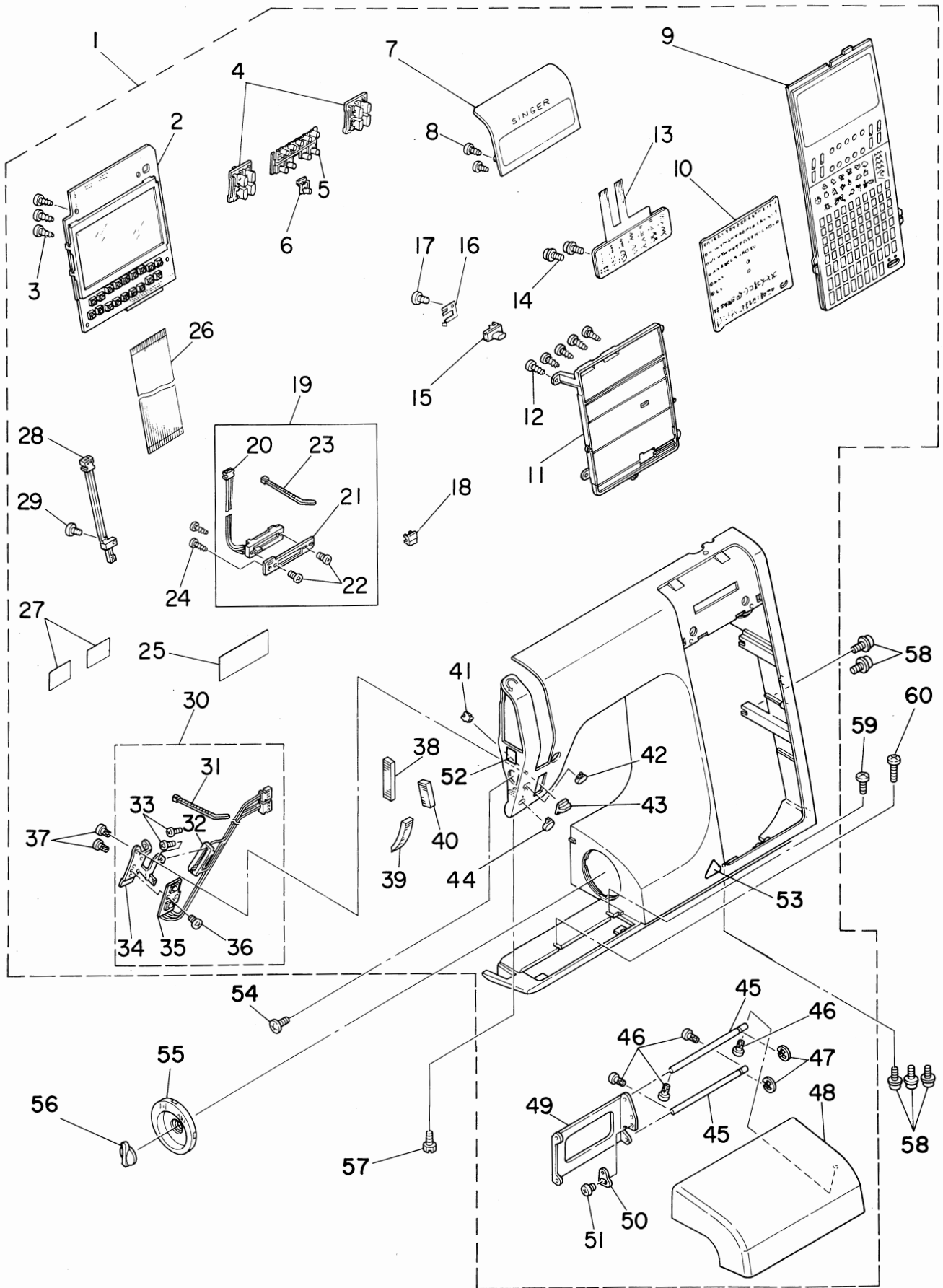
Ref No.	Note	Part No.	Part Description	Qty
1		283572	Rear cover	1
2		283612	Face plate cover	1
3		283257	Screw	1
4		283574	Cylinder bed bottom cover (asm.)	1
5		283573	Cylinder bed bottom cover	(1)
6		283355	Band	(1)
7		283008	Looper cutter removing plate	(1)
8		283006	Spring	(1)
9		283575	Hook cover	(1)
10		283009	Bobbin thread detector box (asm.)	(1)
11		283520	Screw	(1)
12		283523	Screw	(1)
13		283468	Screw	2
14		283583	Under side cover (asm.)	1
15		283582	Under side cover	(1)
16		283585	Threading diagram	(1)
17		283034	Metal fitting	(1)
18		283026	Spring	(1)
19		283025	Screw	(1)
20		283523	Screw	(2)
21		283471	Screw	(1)
22		283586	Under side cover lid	(1)
23		283523	Screw	(2)
24		283470	Screw	3
25		283504	Screw	1
26		283484	Screw	1
27		283664	Belt cover	1
28		283470	Screw	2
29		283029	Rubber washer	3
30		283038	Screw	3
31		283037	Aux. bed retainer receiving plate (asm.)	1
32		283491	Screw	1
33		283694	Screw--- VDE/SAA/BS/H.K	(1)

2. THREAD GUIDE COVER,  
 MICRO COMPUTER CIRCUIT BOARD COMPONENTS



Ref No.	Note	Part No.	Part Description	Qty
1		283576	Handle	1
2		283581	Thread spool cap (asm.)	1
3		283012	Spool pin (asm.)	1
4		283483	Screw	1
5		283011	Handle retaining plate	2
6		283474	Screw	4
7		283337	Metal fitting (B)	1
8		283491	Screw	1
9		283352	Metal fitting	1
10		283491	Screw	1
11		283336	Metal fitting (A)	1
12		283491	Screw	1
13		283578	Thread guide cover (A) (asm.)	1
14		283577	Thread guide cover (A)	(1)
15		283613	Instruction seal	(1)
16		283018	Thread guide cover attaching plate	(1)
17		283013	Locknut	(1)
18		283522	Screw	(2)
19		283696	Washer	(1)
20		283021	Thread guide base (asm.)	(1)
21	*	283313	Thread guide disk shaft	(1)
22	*	283312	Thread guide spring	(1)
23	*	283311	Thread guide disk	(1)
24	*	283019	Thread guide base	(1)
25	*	283315	Thread guide disk shaft washer	(1)
26	*	283314	Arch-shaped E ring	(1)
27		283529	Washer	(1)
28		283147	Spring washer	(1)
29		283020	Screw	(1)
30		283471	Screw	1
31		283491	Screw	2
32		283579	Thread guide cover (B) (asm.)	1
33		283014	Thread guide cover (B) pile	(1)
34		283469	Screw	3
35		283644	M. computer c.board (asm.) --- UL/CSA	1
35		283645	M. computer c.board (asm.) --- VDE/SAA/BS/H.K	1
36	*	283353	STM-IC radiation plate	(1)
37	*	283354	Washer	(2)
38	*	283493	Screw	(2)
39		283493	Screw	1
40		283491	Screw	3
41		283322	Cord holder--- VDE/SAA/BS/H.K	1

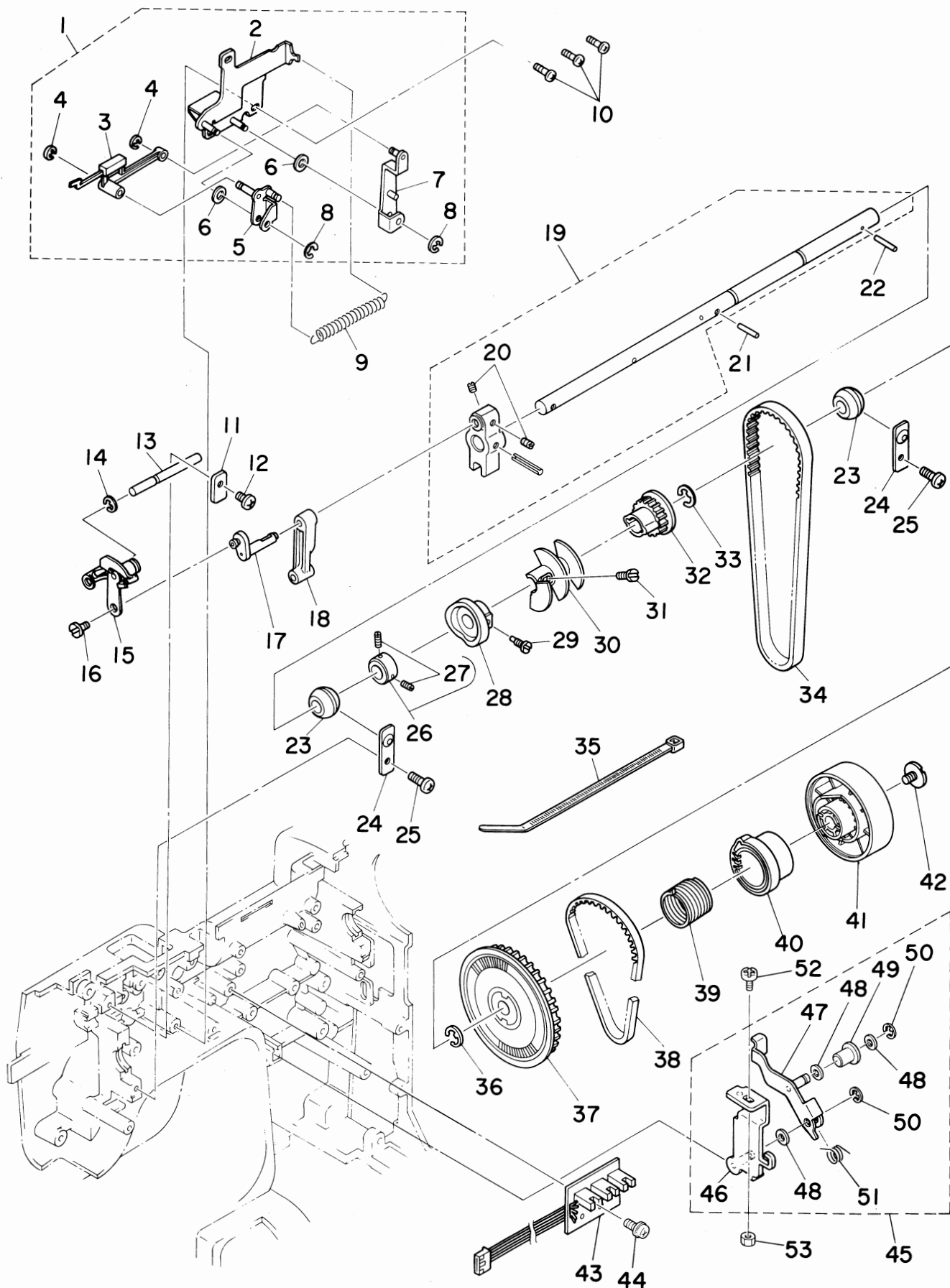
### 3. FRONT PANEL COMPONENTS





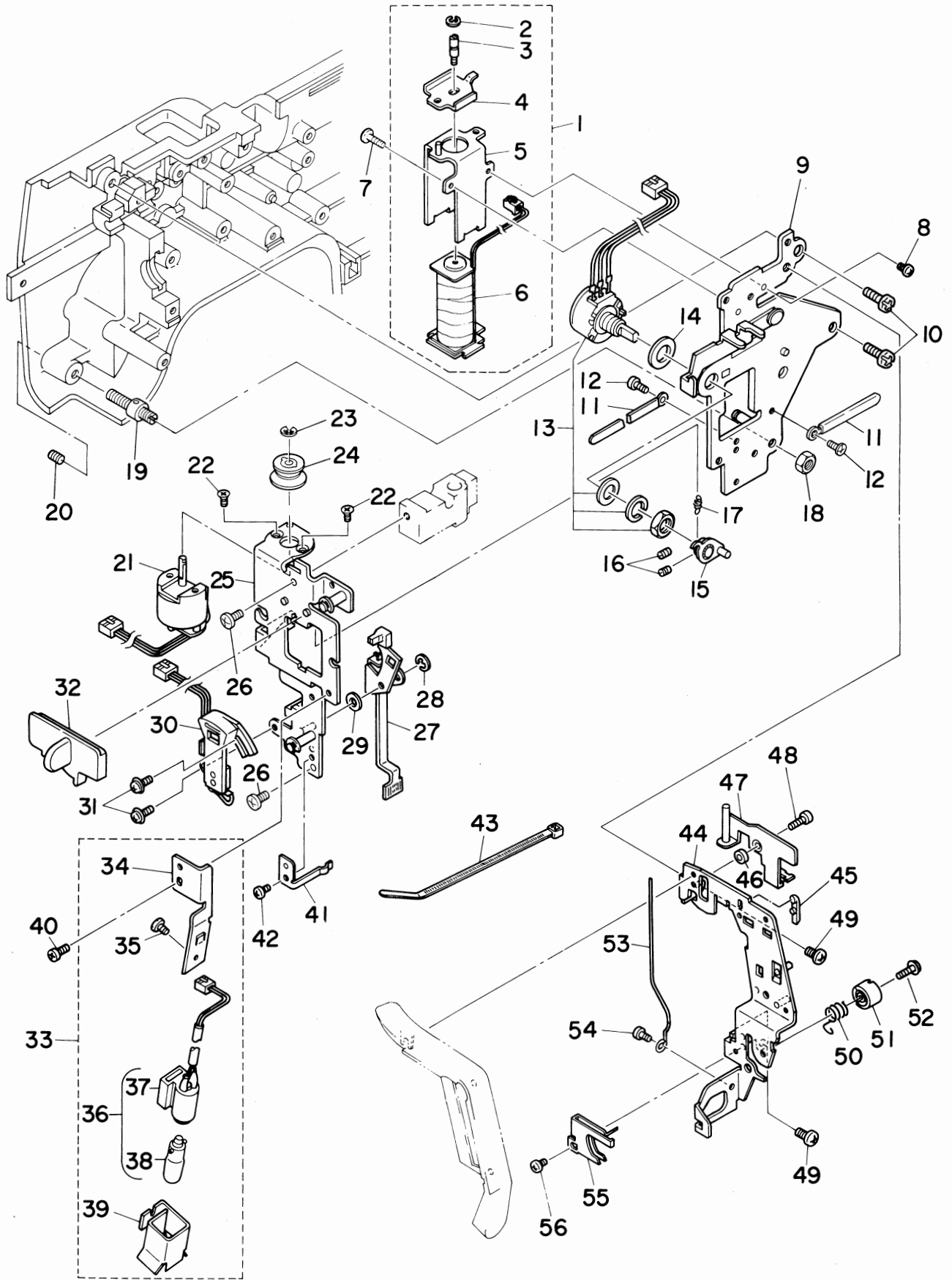
Ref No.	Note	Part No.	Part Description	Qty
1		283617	Front panel (asm.) --- UL/CSA	1
1		283618	Front panel (asm.) --- VDE/BS/H.K	1
1		283619	Front panel (asm.) --- SAA	1
2		283621	Indicator circuit board (asm.)	(1)
3		283522	Screw	(3)
4		283625	Shift switch key top	(2)
5		283626	Function switch key top (A)	(1)
6		283629	Function switch key top (B)	(1)
7		283628	Panel switch base	(1)
8		283695	Screw	(2)
9		283622	Pattern display panel	(1)
10		283624	Pattern indicator panel	(1)
11		283627	Pattern indicator panel fixing plate	(1)
12		283522	Screw	(7)
13		283620	Panel switch (asm.)	(1)
14		283692	Screw	(2)
15		283623	Selactor knob	(1)
16		283330	Leaf spring	(1)
17		283525	Screw	(1)
18		283632	LCD VR.knob	(1)
19		283631	LCD VR. mounting plate (asm.)	(1)
20		283633	LCD VR. (asm.)	(1)
21		283630	LCD VR. mounting plate	(1)
22		283478	Screw	(2)
23		283355	Band	(1)
24		283522	Screw	(2)
25		283634	LCD VR. lead tape	(1)
26		283646	Indicator wiring	(1)
27		283335	Start switch lead tape	(1)
28		283635	selector SW.(asm.)	(1)
29		283525	Screw	(1)
30		283641	Start switch mounting plate (asm.)	(1)
31		283355	Band	(1)
32		283656	Slide volume (asm.)	(1)
33		283478	Screw	(2)
34		283343	Start switch mounting plate	(1)
35		283639	Switch circuit board (asm.)	(1)
36		283486	Screw	(1)
37		283522	Screw	(2)
38		283295	Thread take-up lever cover pile (B)	(1)
39		283296	Thread take-up lever cover pile (A)	(1)
40		283297	Thread take-up lever cover pile (C)	(1)
41		283658	Slide volume connecting plate	(1)
42		283640	Reverse stitch button	(1)
43		283657	Sewing speed setting lever	(1)
44		283638	Start/Stop button	(1)
45		283032	Fulcrum shaft	(2)
46		283524	Screw	(4)
47		283459	E ring	(2)
48		283584	Auxiliary bed	(1)
49		283031	Hinge	(1)
50		283035	Hinge adjuster plate	(1)
51		283498	Screw	(1)
52		283616	Lamp caution label	(1)
53		283636	Anniversary sael UL/CSA	(1)
54		283491	Screw	1
55		283637	Stitch balance control lid	1
56		283595	Stitch balance control	1
57		283517	Screw	1
58		283470	Screw	5
59		283491	Screw	1
60		283495	Screw	1

# 4. MAIN SHAFT, IDLER PULLEY COMPONENTS



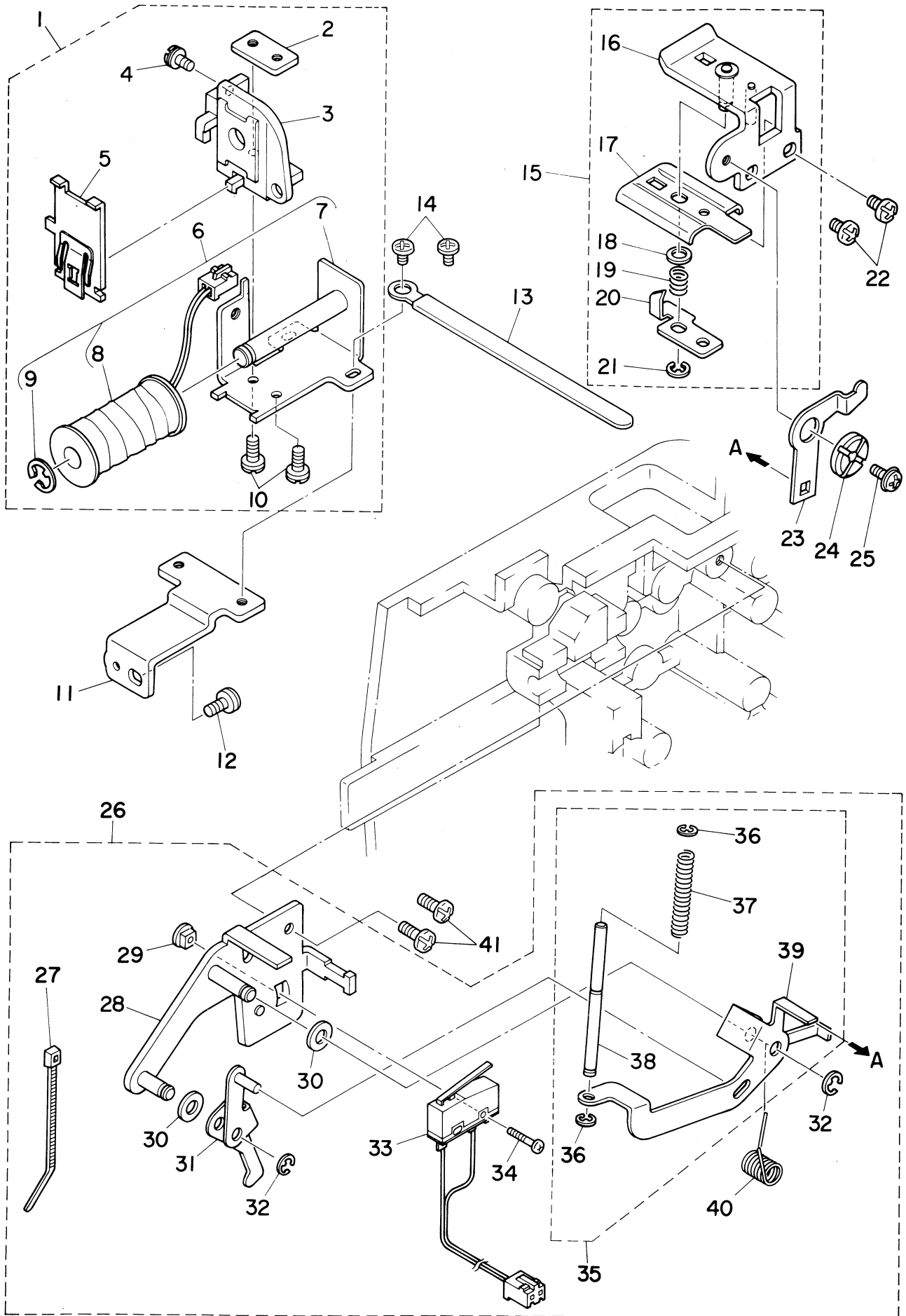
Ref No.	Note	Part No.	Part Description	Qty
1		283260	Thread pulling link attaching plate (master asm.)	1
2		283259	Thread pulling link attaching plate (asm.)	(1)
3		283264	Thread pulling lever	(1)
4		283459	E ring	(2)
5		283262	Thread pulling link (B) (asm.)	(1)
6		283528	Washer	(2)
7		283261	Thread pulling link (A) (asm.)	(1)
8		283460	E ring	(2)
9		283265	Thread pulling lever spring	1
10		283502	Screw	3
11		283070	Supporting shaft retaining plate	1
12		283502	Screw	1
13		283207	Thread take-up lever supporting shaft	1
14		283461	E ring	1
15		283206	Thread take-up lever (asm.)	1
16		283051	End screw (left)	1
17		283049	Needle bar crank	1
18		283061	Needle bar crank rod	1
19		283043	Main shaft(asm.)	1
20		283516	Screw	(2)
21		283456	Pin	1
22		283455	Pin	1
23		283045	Main shaft bushing	2
24		283046	Main shaft bushing retaining plate	2
25		283502	Screw	2
26		283044	Main shaft thrust collar (asm.)	1
27		283516	Screw	(2)
28		283047	Delivery cam	1
29		283048	Screw	1
30		283588	Main shaft detector shielding plate	1
31		283473	Screw	1
32		283052	Main shaft pulley	1
33		283464	E ring	1
34		283372	Timing belt (large)	1
35		283355	Band	1
36		283464	E ring	1
37		283055	Motor pulley	1
38		283373	Motor timing belt	1
39		283057	Clutch spring	1
40		283056	Clutch spring holder	1
41		283589	Handwheel	1
42		283054	Screw	1
43		283642	Main shaft detector circuit board (asm.)	1
44		283470	Screw	1
45		283378	Idler (asm.)	1
46	*	283379	Idler base (asm.)	(1)
47	*	283380	Idler link (asm.)	(1)
48	*	283530	Washer	(3)
49	*	283377	Idler	(1)
50	*	283460	E ring	(2)
51	*	283381	Idler twisting spring	(1)
52		283481	Screw	1
53		283451	Nut	1

5. FACE PLATE, ENCODER, SOLENOID No.1 COMPONENTS



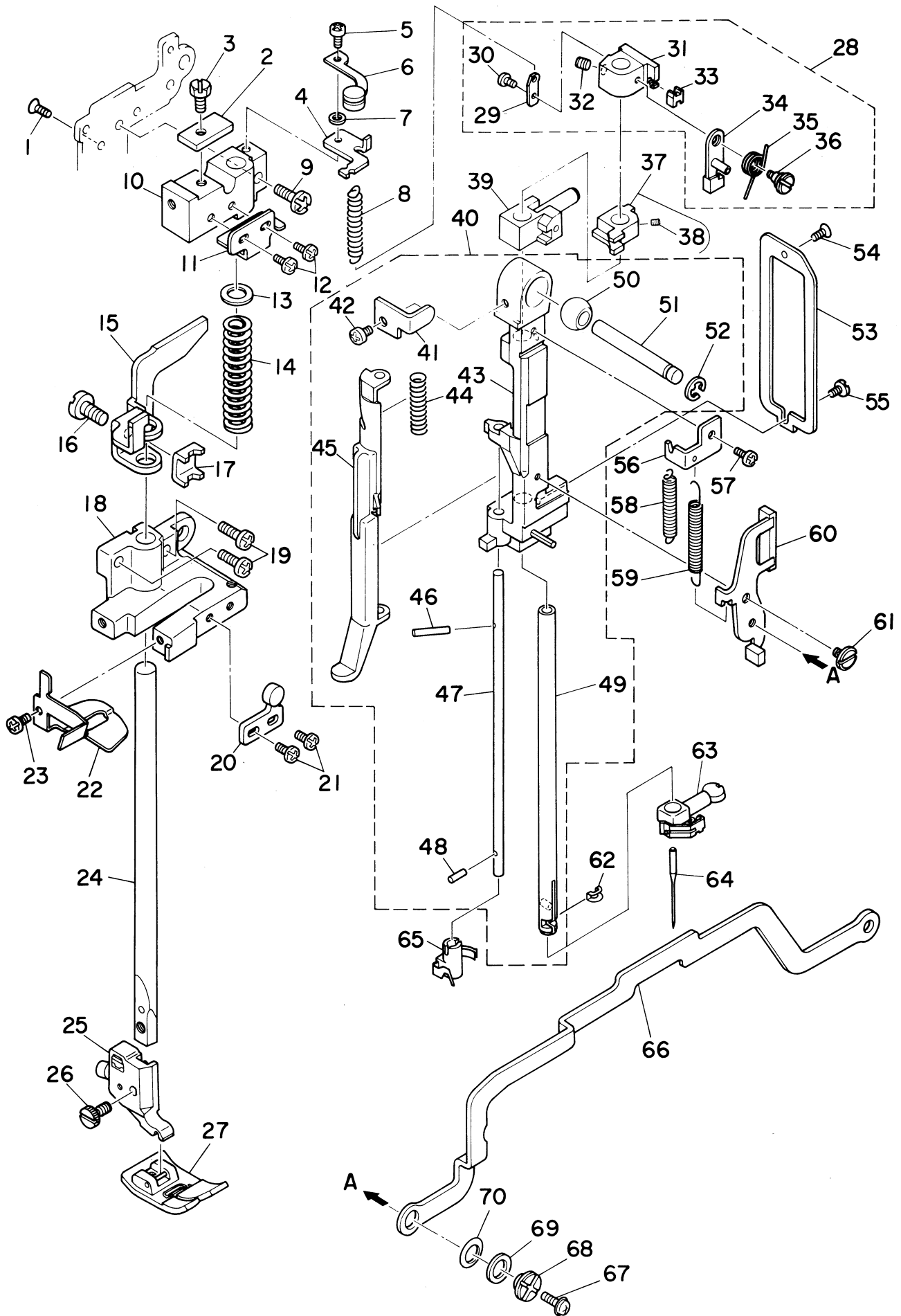
Ref No.	Note	Part No.	Part Description	Qty
1		283221	Solenoid No.1(asm.)	1
2	*	283459	E ring	(1)
3	*	283220	Solenoid No. 1 shaft	(1)
4	*	283219	Solenoid No. 1 armature	(1)
5	*	283222	Solenoid No. 1 yoke (asm.)	(1)
6	*	283223	Solenoid No. 1 bottom (asm.)	(1)
7		283488	Screw	1
8		283491	Screw	1
9		283107	Frame reference plate (sub-asm. B)	1
10		283106	Screw	2
11		283322	Cord holder	2
12		283486	Screw	2
13		283232	Potentiometer (asm.)	1
14		283233	Washer	1
15		283230	Potentiometer crank (asm.)	1
16		283505	Screw	2
17		283231	Potentiometer spring	1
18		283452	Nut	1
19		283111	Frame reference plate retaining shaft	1
20		283514	Screw	1
21		283611	Encoder (asm.)	1
22		283519	Screw	2
23		283227	Arch-shapped E ring	1
24		283226	Encoder pulley (asm.)	1
25		283224	Encoder attaching plate (asm.)	1
26		283502	Screw	2
27		283228	Buttonholing lever (asm.)	1
28		283460	E ring	1
29		283528	Washer	1
30		283229	Buttonholing switch mounting base (asm.)	1
31		283470	Screw	2
32		283592	Presser foot adusting lever	1
33		283320	Light attaching plate (asm.)	1
34		283319	Light attaching plate	(1)
35		283486	Screw	(1)
36		283317	light (asm.)	(1)
37		283316	Light socket (asm.)	(1)
38		283318	Light bulb	(1)
39		283321	Light cover	(1)
40		283491	Screw	1
41		283079	Needle bar frame spring	1
42		283491	Screw	1
43		283355	Band	1
44		283292	Face plate ( asm.)	1
45		283283	Solenoid No. 2 guide	1
46		283299	Needle thread guide plate collar	1
47		283298	Needle thread guide plate (asm.)	1
48		283492	Screw	1
49		283500	Screw	2
50		283263	Thread take-up spring	1
51		283272	Spring holder	1
52		283472	Screw	1
53		283294	Needle thread guide bar	1
54		283487	Screw	1
55		283293	Thread take-up spring thread guide	1
56		283487	Screw	1

6. SOLENOID No.2, THREAD SENSOR GUIDE,  
TENSION RELEASING PLATE COMPONENTS



Ref No.	Note	Part No.	Part Description	Qty
1		283289	Solenoid No. 2 (asm.)	1
2	*	283288	Yoke case retaining plate	(1)
3	**	283285	Solenoid No. 2 yoke case	(1)
4	**	283469	Screw	(1)
5	**	283287	Solenoid No. 2 amature (asm.)	(1)
6	**	283291	Solenoid No. 2 yoke (asm.)	(1)
7	**	283290	Solenoid No. 2 yoke (sub-asm.)	(1)
8	**	283286	Solenoid No.2 coil bobbin (asm.)	(1)
9	**	283460	E ring	(1)
10	**	283490	Screw	(2)
11	**	283284	Solenoid No. 2 attaching plate	1
12	**	283501	Screw	1
13		283322	Cord holder	1
14		283491	Screw	2
15		283267	Thread sensor guide (asm.)	1
16	*	283266	Thread sensor guide attaching plate (asm.)	(1)
17	*	283268	Thread sensor guide disk	(1)
18	**	283527	Washer	(1)
19	**	283269	Thread sensor guide spring	(1)
20	**	283270	Thread sensor guide thread presser	(1)
21	*	283459	E ring	(1)
22		283491	Screw	2
23		283275	Tension disk releasing link	1
24		283246	Link collar	1
25		283470	Screw	1
26		283274	Tension release attaching plate (master asm.)	1
27		283355	Band	(1)
28		283273	Tension releasing attaching plate ( asm.)	(1)
29		283217	1-stitch SW.locknut	(1)
30		283527	Washer	(2)
31		283281	Tension releasing plate (B) (asm.)	(1)
32		283459	E ring	(2)
33		283282	Therad trimmer 1-stitch SW.(asm.)	(1)
34		283485	Screw	(1)
35		283277	Tension releasing plate (A) (asm.)	(1)
36		283458	E ring	(2)
37		283279	Spring	(1)
38		283280	Tension releasing bar	(1)
39		283276	Tension releasing plate (A)	(1)
40		283278	Tension releasing plate (A) spring	(1)
41		283491	Screw	2

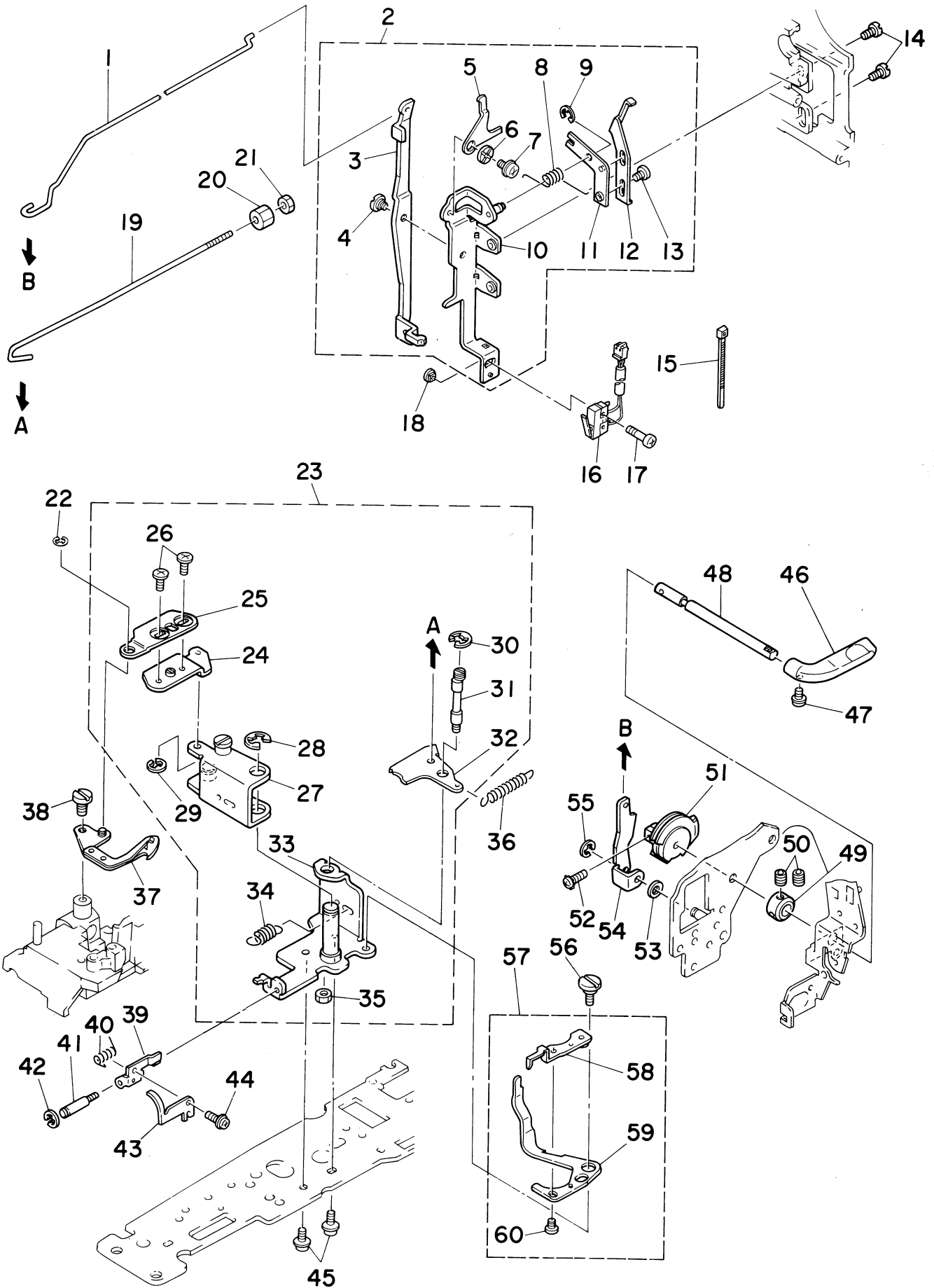
7. NEEDLE BAR, PRESSER BAR COMPONENTS





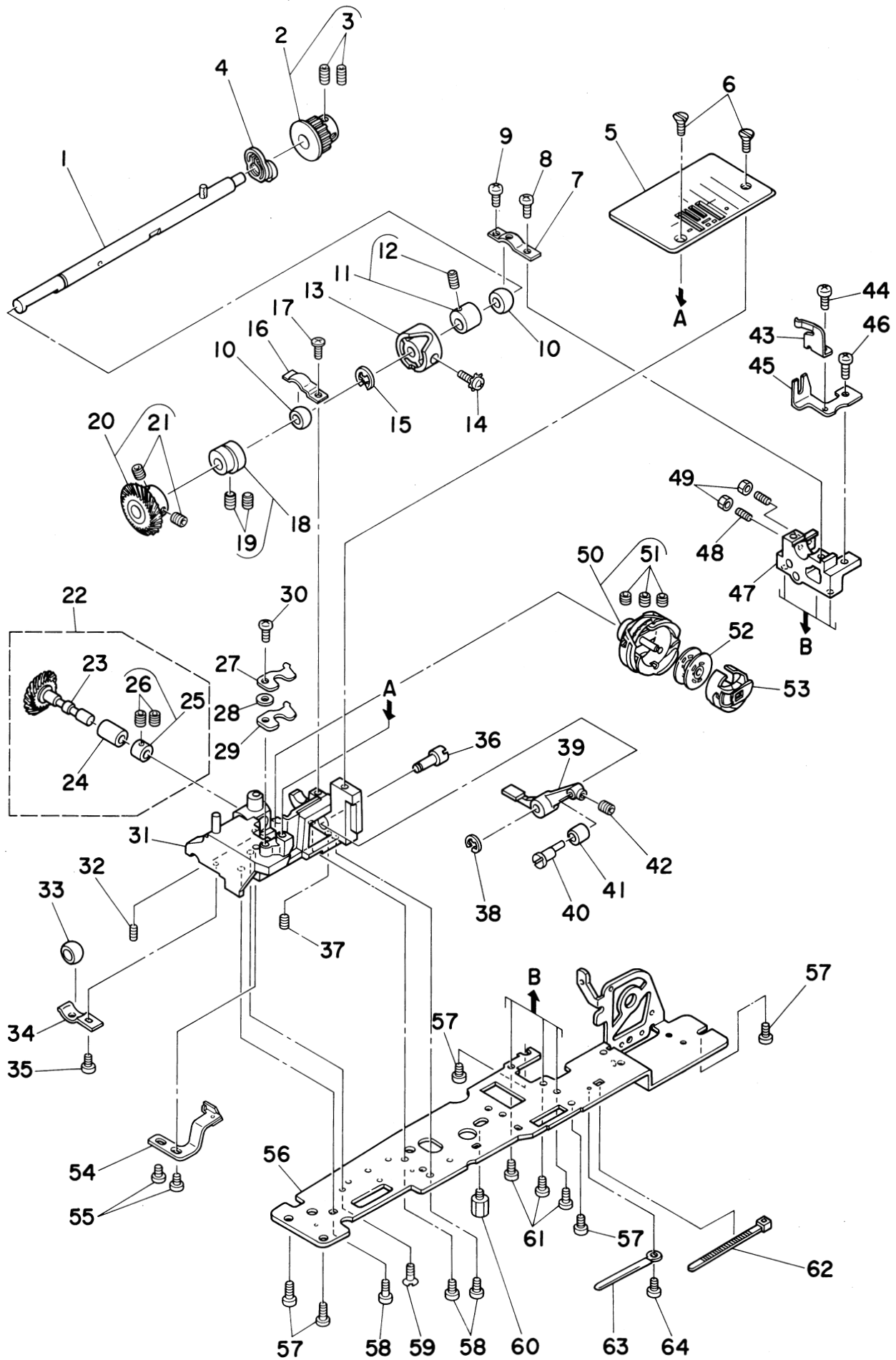
Ref No.	Note	Part No.	Part Description	Qty
1		283476	Screw	1
2		283070	Supporting shaft retaining plate	1
3		283517	Screw	1
4		283089	Spring hook (A)	1
5		283491	Screw	1
6		283091	Needle bar positioning spring (asm.)	1
7		283526	Washer	1
8		283087	Needle bar retaining spring	1
9		283503	Screw	1
10		283108	Presser bar holder (upper)	1
11		283110	Presser bar holder plate	1
12		283491	Screw	2
13		283218	Presser spring holder	1
14		283094	Presser spring	1
15		283096	Presser bar position bracket	1
16		283106	Screw A	1
17		283097	Presser bar position bracket setscrew holder	1
18		283109	Presser bar holder (lower)	1
19		283482	Screw	2
20		283090	Needle bar removing stopper	1
21		283491	Screw	2
22		283256	Needle bar thread guide	1
23		283491	Screw	1
24		283093	Presser bar	1
25		283102	Presser holder (asm.)	1
26		283105	Presser clamping screw	1
27		283104	Hinging presser for zigzag	1
28		283083	Needle bar fixing base (asm.)	1
29		283088	Spring hook(B)	(1)
30		283478	Screw	(1)
31		283081	Needle bar fixing base	(1)
32		283512	Screw	(1)
33		283082	Stopper	(1)
34		283085	Needle bar removing latch(asm.)	(1)
35		283086	Latch spring	(1)
36		283084	Needle bar removing latch setscrew	(1)
37		283063	Threader needle bar guide (asm.)	1
38		283506	Screw	(1)
39		283062	Needle bar connection (asm.)	1
40		283065	Needle bar frame(sub-asm. B)	1
41		283068	Needle bar frame base thrust plate	(1)
42		283488	Screw	(1)
43	*	283064	Needle bar frame	(1)
44	*	283074	Spring	(1)
45	*	283071	Needle threader	(1)
46	*	283456	Pin	(1)
47	*	283072	Needle threader shaft	(1)
48	*	283454	Pin (small)	(1)
49		283058	Needle bar (asm.)	(1)
50		283128	Ball bearing	(1)
51		283067	Needle bar frame shaft	(1)
52		283460	E ring	(1)
53		283092	Needle bar guide plate	1
54		283476	Screw	1
55		283488	Screw	1
56		283069	Spring hook	1
57		283491	Screw	1
58		283073	Needle threader spring	1
59		283066	Needle bar frame base spring	1
60		283076	Frame rock shaft crank	1
61		283465	Hinge screw	1
62		283059	Needle mis-insert preventing plate	1
63		283060	Needle clamp (asm.)	1
64		283405	Needle 2020, 90/14	1
65		283075	Needle threader hook holder (asm.)	1
66		283080	Needle bar frame connecting rod	1
67		283471	Screw	1
68		283077	Eccentric shaft	1
69		283078	Washer	1
70		283216	Spring washer	1

8. THREAD TRIMMER LINK, MOVING KNIFE COMPONENTS



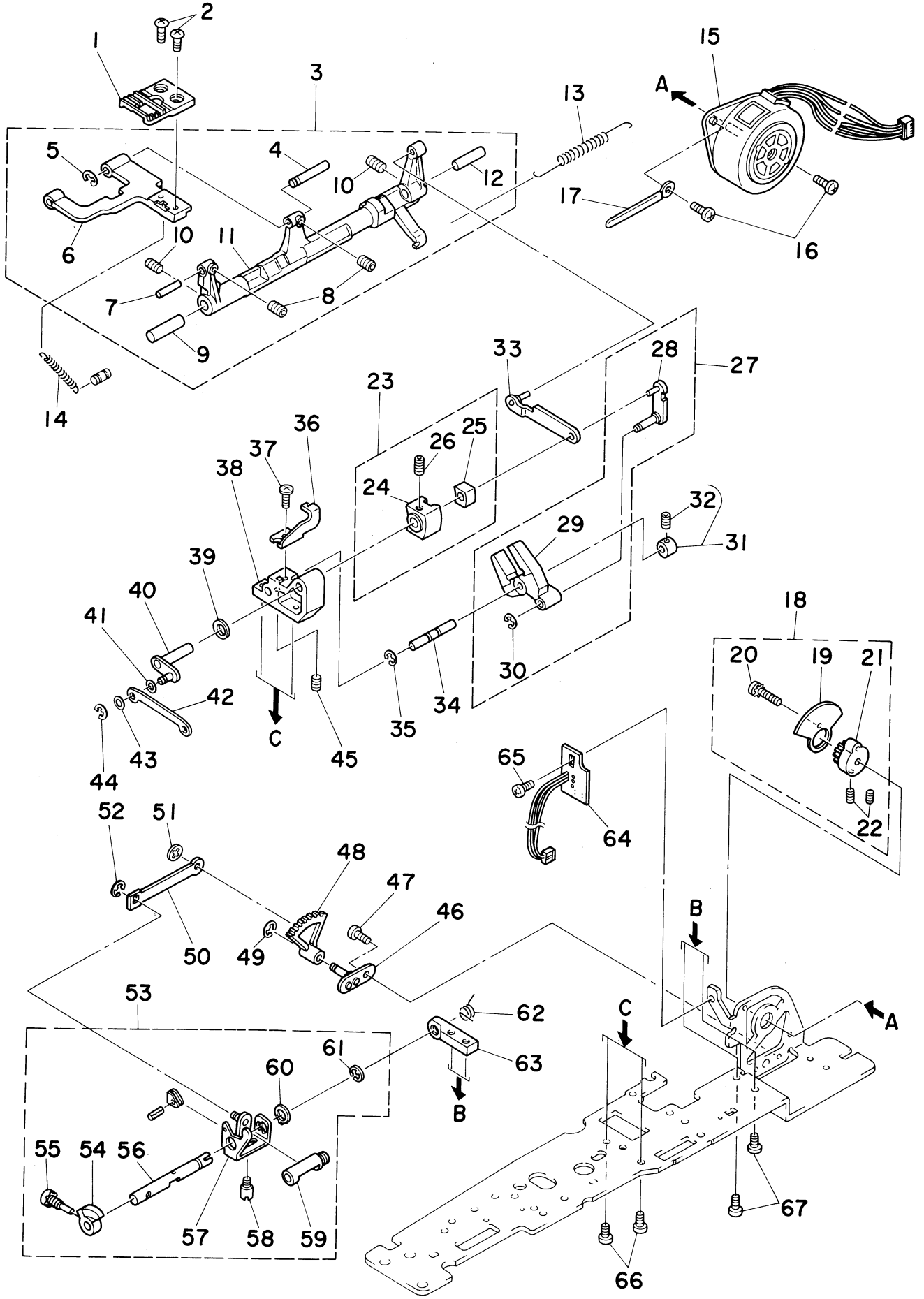
Ref No.	Note	Part No.	Part Description	Qty
1		283244	Knife selector upper link	1
2		283250	Thread trimmer link attaching plate (master asm.)	(1)
3	*	283251	Thread trimmer link	(1)
4		283252	Thread trimmer link shaft (hinge screw)	(1)
5	**	283247	Link	(1)
6	**	283246	Link collar	(1)
7		283471	Screw	(1)
8		283245	Spring	(1)
9		283460	E ring	(1)
10	**	283249	Thread trimmer link attaching plate (asm.)	(1)
11	**	283248	Thread trimming clutch plate	(1)
12		283255	Thread trimmer clutch plate contact	(1)
13		283501	Screw	(1)
14		283502	Screw	2
15		283355	Band	1
16		283310	Thread trimmer switch (asm.)	1
17		283485	Screw	1
18		283217	1-stitch SW.locknut	1
19		283243	Knife selector lower link	1
20		283254	Knife selector lower link adjusting nut	1
21		283453	Nut	1
22		283460	E ring	1
23		283236	Knife driving link attaching plate (asm.)	1
24		283202	Moving knife link (B) (asm.)	(1)
25		283201	Moving knife link (A)	(1)
26		283486	Screw	(2)
27	**	283237	Knife driving link (asm.) B	(1)
28	**	283462	E ring	(1)
29	**	283459	E ring	(1)
30	**	283461	E ring	(1)
31	**	283240	Knife removing plate eccentric shaft	(1)
32	**	283239	Knife removing plate	(1)
33	**	283235	Knife driving link attaching plate (asm.)	(1)
34	**	283238	Knife driving link spring	(1)
35	**	283450	Nut	(1)
36	*	283241	Spring	1
37		283604	Moving knife (asm.)	1
38		283466	Hinge screw	1
39		283158	Looper actuating plate	1
40		283160	Spring	1
41		283159	Looper actuating plate shaft	1
42		283459	E ring	1
43		283157	Looper	1
44		283468	Screw	1
45		283475	Screw	2
46		283590	Presser foot lifter/thread cutter lever	1
47		283591	Screw	1
48		283100	Lever shaft	1
49		283101	Lever shaft thrust collar (asm.)	1
50		283506	Screw	(2)
51		283095	Presser foot lifter/thread cutter lever cam	1
52		283098	Screw	1
53		283528	Washer	1
54		283253	Thread cutting drive contact	1
55		283460	E ring	1
56		283467	Hinge screw	1
57		283163	Looper link plate (asm.)	1
58		283164	Looper link contact (asm.)	(1)
59		283162	Looper link plate	(1)
60		283488	Screw	(1)

9. HOOK, HOOK DRIVING SHAFT COPONENTS



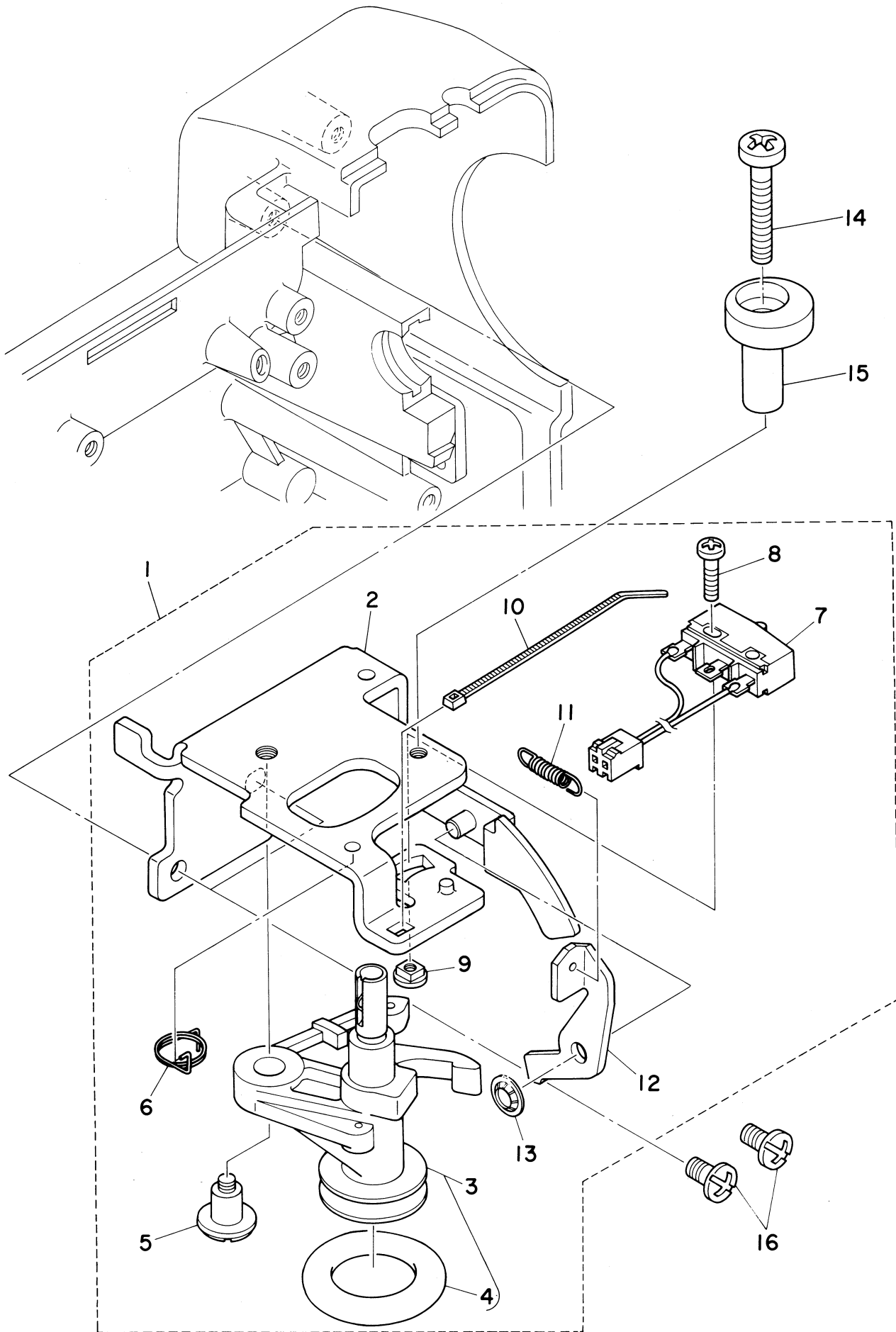
Ref No.	Note	Part No.	Part Description	Qty
1		283602	Hook driving shaft (asm.)	1
2		283185	Hook driving shaft pulley (asm.)	1
3		283511	Screw	(2)
4		283173	Lateral feed cam	1
5		283007	Needle plate	1
6		283477	Screw	2
7		283188	Ball bearing receiving plate (rear)	1
8		283502	Screw	1
9		283480	Screw	1
10		283186	Hook driving shaft ball bearing	2
11		283117	Feed rock cam (asm.)	1
12		283515	Screw	(1)
13		283234	Thread trimmer cam	1
14		283048	Screw	1
15		283463	E ring	1
16		283187	Ball bearing receiving plate (front)	1
17		283502	Screw	1
18		283156	Feed driving cam	1
19		283510	Screw	(2)
20		283184	Hook driving bevel gear (asm.)	1
21		283510	Screw	(2)
22		283197	Hook shaft bevel gear (asm.)	1
23	*	283196	Hook shaft bevel gear	(1)
24	*	283189	Hook shaft bushing	(1)
25	*	283198	Thrust collar (asm.)	(1)
26		283506	Screw	(2)
27		283606	Moving knife guide plate (upper)	1
28		283607	Moving knife guide plate collar	1
29		283605	Moving knife guide plate (lower)	1
30		283502	Screw	1
31		283199	Hook installing base	1
32		283511	Screw	1
33		283128	Ball bearing	1
34		283129	Ball bearing plate	1
35		283502	Screw	1
36		283192	Feed driving link shaft	1
37		283511	Screw	1
38		283461	E ring	1
39		283190	Feed driving link	1
40		283191	Feed driving eccentric shaft	1
41		283161	Feed driving roller	1
42		283506	Screw	1
43		283126	Presser spring	1
44		283487	Screw	1
45		283121	Guide plate	1
46		283502	Screw	1
47		283041	Hook driving shaft holder (rear)	1
48		283509	Screw	2
49		283449	Nut	2
50		283193	Hook (asm.)	1
51		283518	Screw	(3)
52		283395	Bobbin	1
53		283603	Bobbin case (asm.)	1
54		283194	Bobbin case holder (asm.)	1
55		283502	Screw	2
56		283587	Cylinder bed component cradle	1
57		283502	Screw	5
58		283502	Screw	3
59		283477	Screw	1
60		283036	Hinge screw	1
61		283502	Screw	3
62		283355	Band	1
63		283322	Cord holder	1
64		283487	Screw	1

10. FEED DOG, FEED ROCK SHAFT COMPONENTS



Ref No.	Note	Part No.	Part Description	Qty
1		283137	Feed dog	1
2		283491	Screw	2
3		283115	Feed bar (asm.)	1
4		283116	Feed bar shaft (right)	(1)
5		283459	E ring	(1)
6	**	283114	Feed bar	(1)
7	**	283118	Feed bar shaft (left)	(1)
8	**	283506	Screw	(2)
9	**	283113	Feed rock shaft crank (left)	(1)
10	**	283508	Screw	(2)
11	**	283122	Feed rock shaft	(1)
12	**	283112	Feed rock shaft crank (right)	(1)
13		283130	Spring	1
14		283138	Feed bar spring	1
15		283601	Lateral feed motor (asm.)	1
16		283491	Screw	2
17		283323	Cord holder	1
18		283166	Lateral feed STM crank gear (asm.)	1
19		283167	Shield plate	(1)
20	**	283473	Screw	(1)
21	**	283165	Lateral feed STM crank gear	(1)
22	**	283507	Screw	(2)
23		283132	Feed regulator (asm.)	1
24	**	283131	Feed regulator	(1)
25	**	283133	Crank slide block	(1)
26		283513	Screw	(1)
27		283125	Forked rod (asm.)	1
28	**	283119	Forked rod link (asm.)	(1)
29	**	283124	Forked rod	(1)
30		283459	E ring	(1)
31		283127	Thrust collar (asm.)	1
32		283506	Screw	(1)
33		283120	Feed rock shaft crank link (asm.)	1
34		283123	Forked rod shaft	1
35		283460	E ring	1
36		283242	Spring hook	1
37		283491	Screw	1
38		283134	Feed regulator shaft holder	1
39		283531	Washer	1
40		283135	Feed regulator shaft (asm.)	1
41		283147	Spring washer	1
42		283136	Feed link	1
43		283527	Washer	1
44		283459	E ring	1
45		283511	Screw	1
46		283169	Lateral feed gear link base (asm.)	1
47		283491	Screw	1
48		283168	Lateral feed gear link	1
49		283459	E ring	1
50		283170	Lateral feed connection link	1
51		283304	Push nut	1
52		283459	E ring	1
53		283172	Lateral feed cam contact (master asm.)	1
54		283178	Lateral feed regulation cam	(1)
55		283177	Lateral feed regulation cam setscrew	(1)
56	*	283174	Lateral feed shaft	(1)
57		283171	Lateral feed cam contact (asm.)	(1)
58		283175	Lateral feed shaft guide pin	(1)
59		283179	Lateral feed cam contact bushing	(1)
60		283180	Snap ring	(1)
61		283460	E ring	(1)
62		283176	Lateral feed cam contact twisting spring	1
63		283042	Lateral feed shaft holder	1
64	*	283600	Lateral feed detector circuit board (asm.)	1
65		283491	Screw	1
66		283502	Screw	2
67		283502	Screw	2

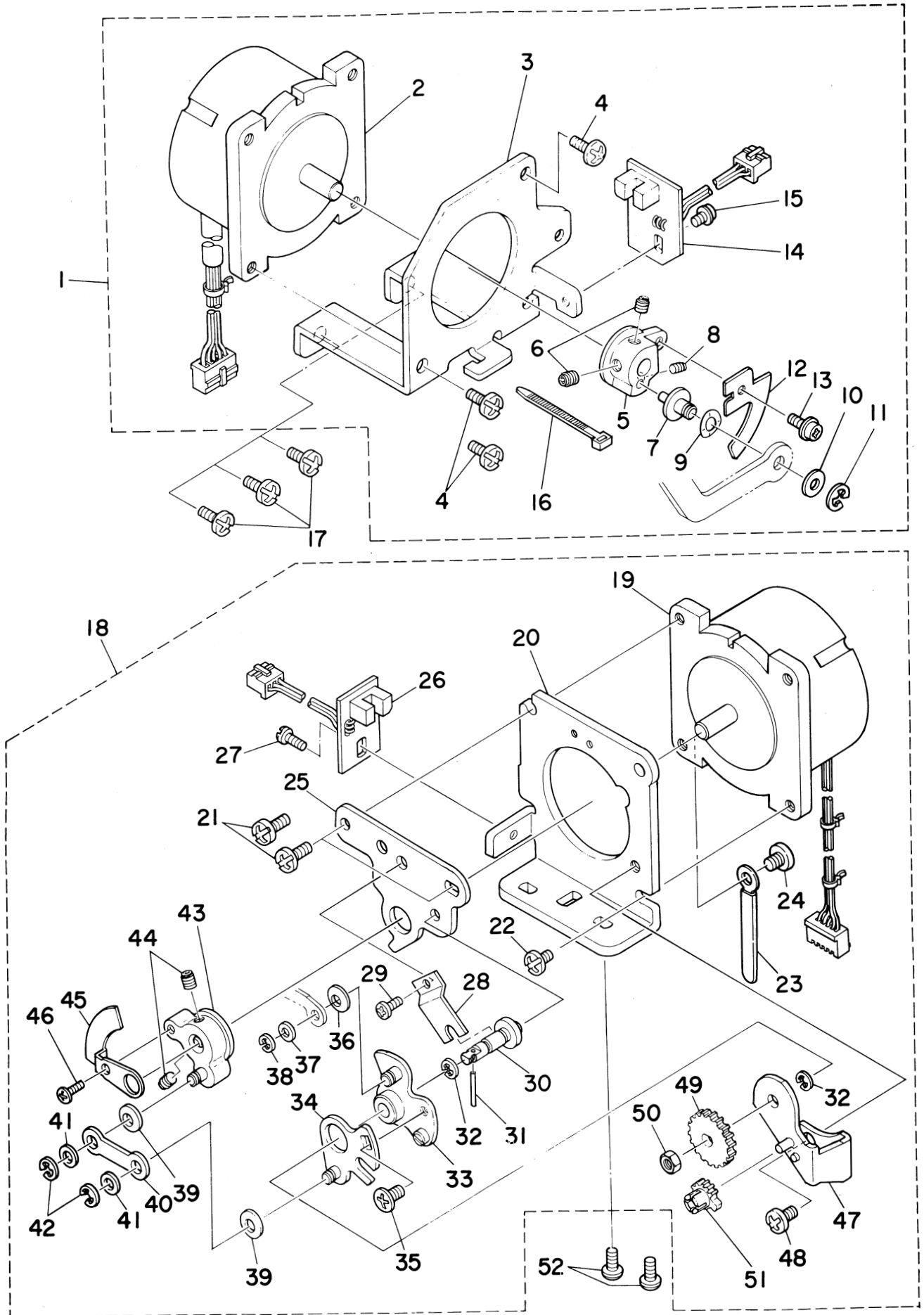
# 11. BOBBIN WINDER COMPONENTS





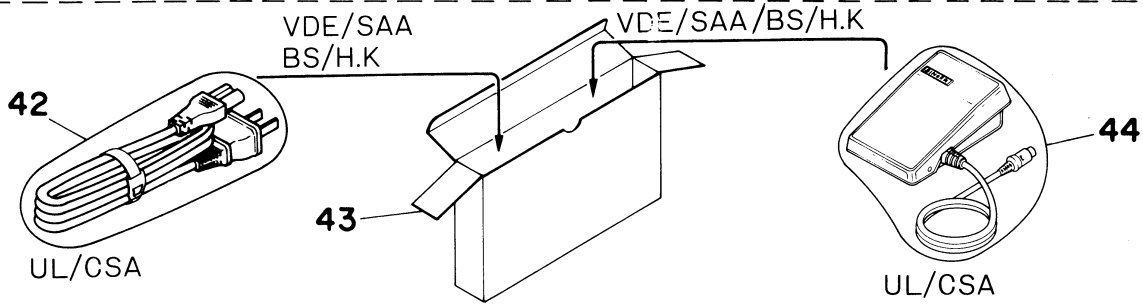
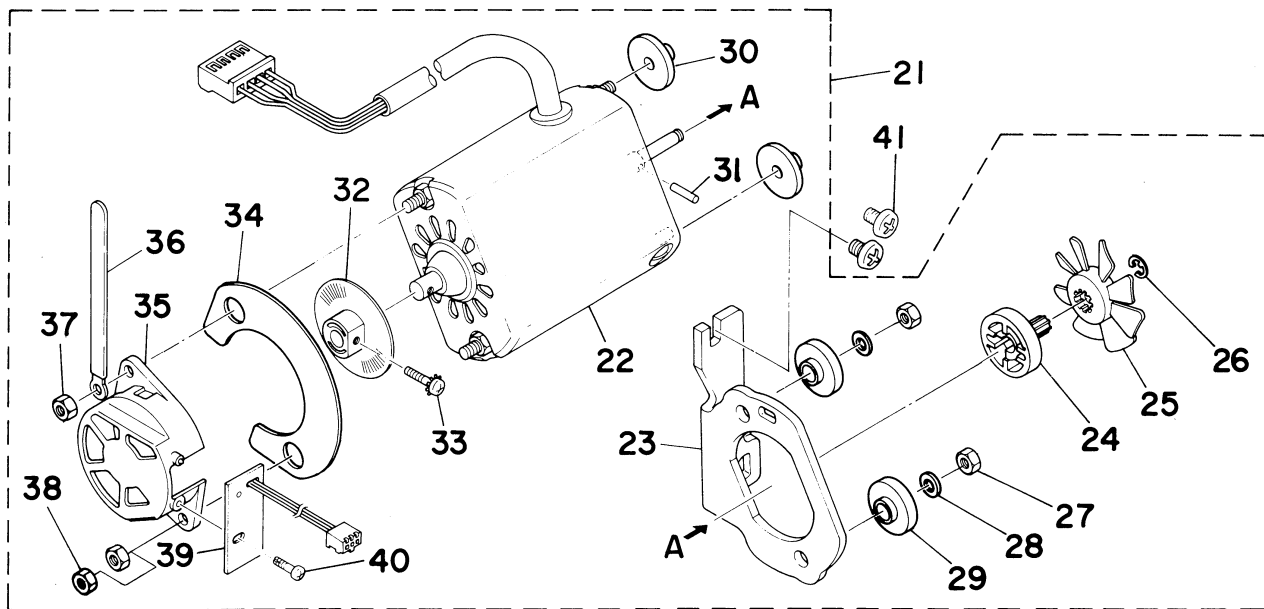
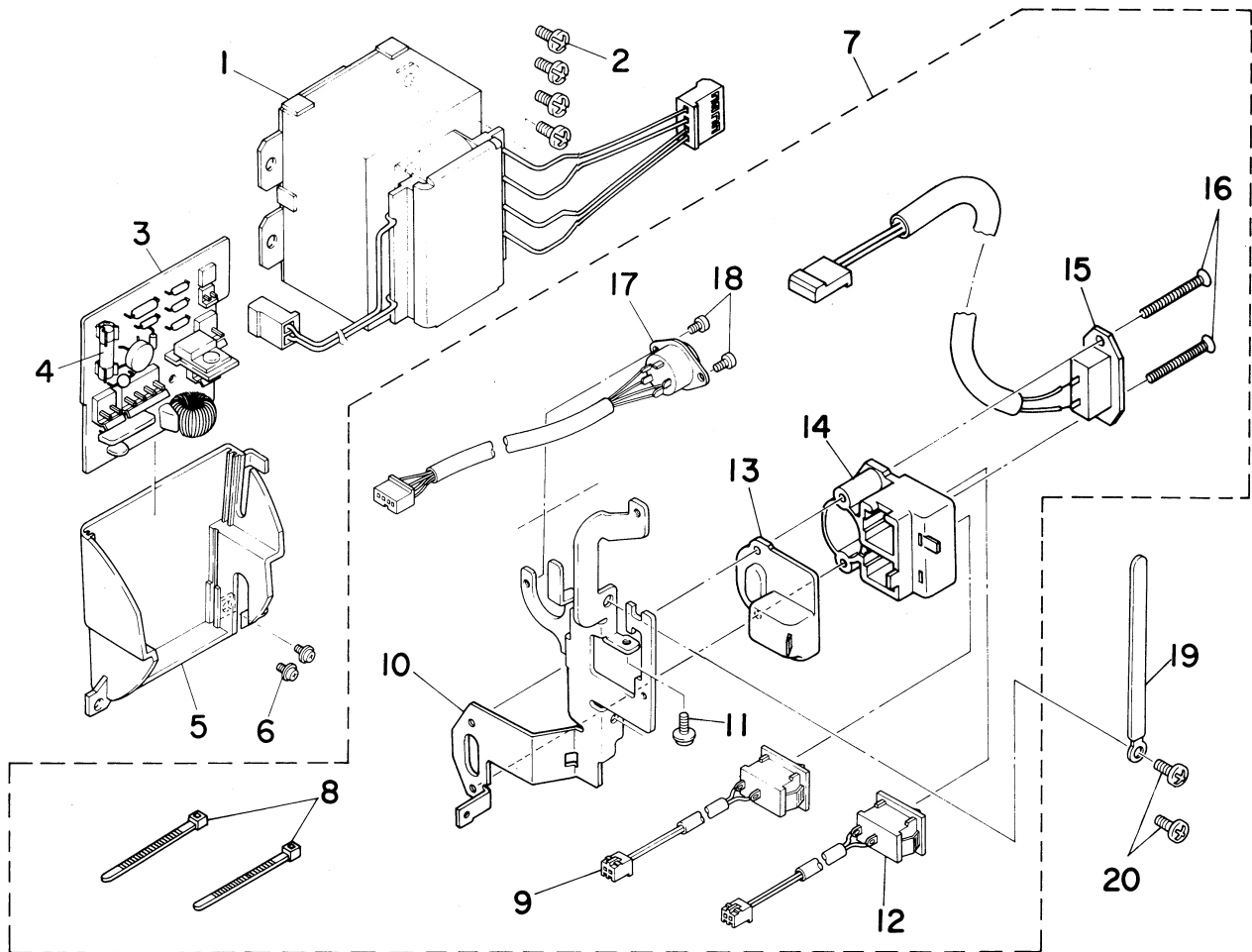
Ref No.	Note	Part No.	Part Description	Qty
1		283615	Bobbin winder component mouting base (asm.)	1
2		283614	Bobbin winder component mouting base (sub-asm.)	(1)
3		283303	Bobbin winder base (asm.)	(1)
4		283308	Rubber ring	(1)
5		283302	Hinge screw	(1)
6		283307	Bobbin winder base spring	(1)
7		283309	Bobbin winder SW (asm.)	(1)
8		283485	Screw	(1)
9		283217	Locknut	(1)
10		283355	Band	(1)
11		283306	Clutch spring	(1)
12		283305	Clutch plate	(1)
13		283304	Locknut	(1)
14		283496	Screw	1
15		283580	Bobbin thread amount adjusting shaft	1
16		283502	Screw	2

12. NEEDLE BAR ROCKING STM, FEED STM COMPONENTS



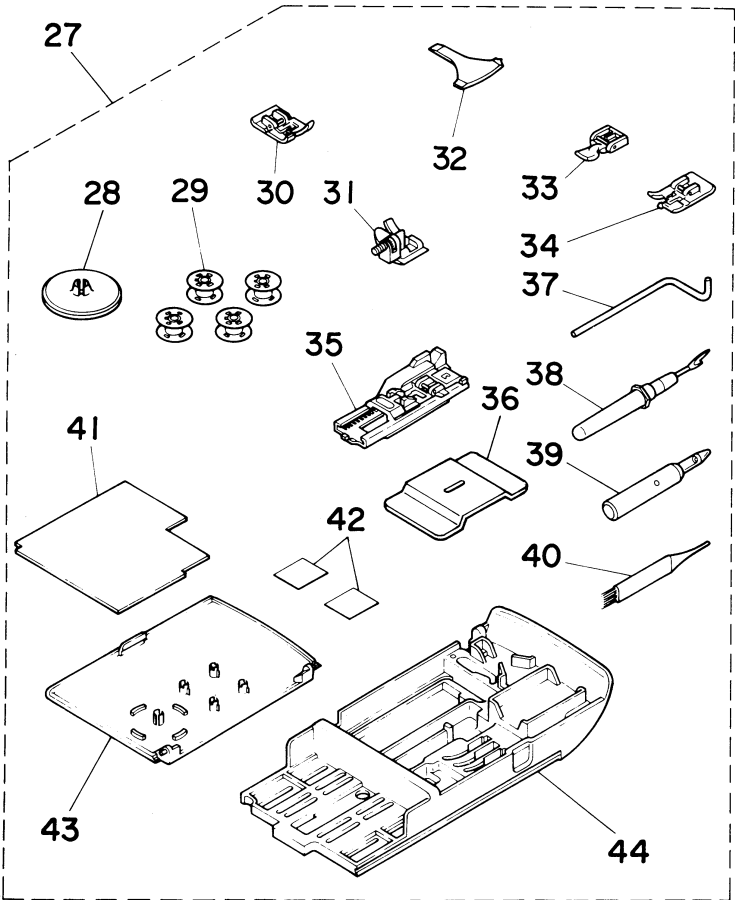
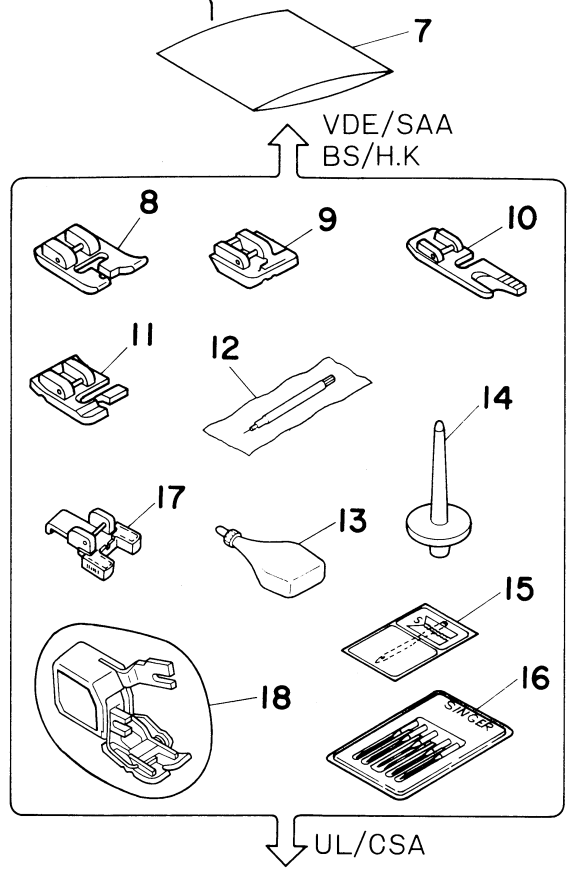
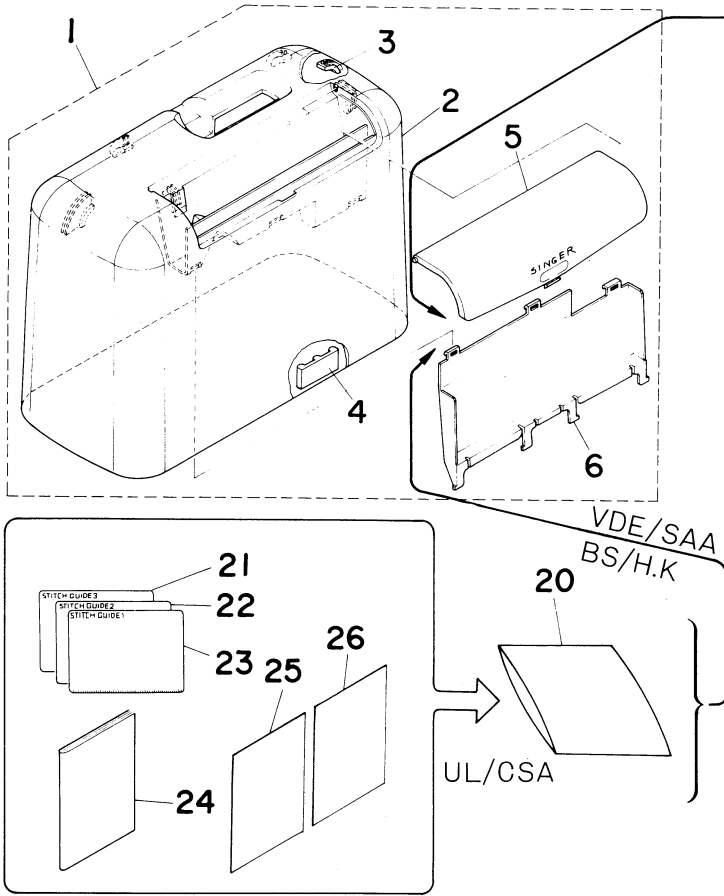
Ref No.	Note	Part No.	Part Description	Qty
1		283608	Needle bar rocking STM mounting base (asm.)	1
2	*	283609	Needle bar rocking motor (asm.)	(1)
3	*	283208	Needle bar rocking STM mounting base	(1)
4	*	283502	Screw	(3)
5	*	283212	Link	(1)
6	*	283511	Screw	(2)
7	*	283213	Link shaft	(1)
8	*	283505	Screw	(1)
9		283215	Spring washer	(1)
10		283529	Washer	(1)
11		283460	E ring	(1)
12		283211	Shielding plate	(1)
13		283471	Screw	(1)
14	*	283610	Needle bar rocking detector circuit board (asm.)	(1)
15	*	283469	Screw	(1)
16		283355	Band	(1)
17		283502	Screw	3
18		283598	Feed STM (master asm.)	1
19	*	283597	Feed STM (asm.)	(1)
20	*	283142	Feed STM attaching plate	(1)
21	*	283503	Screw	(2)
22	*	283502	Screw	(1)
23	*	283322	Cord holder	(1)
24	*	283497	Screw	(1)
25	*	283596	Fulcrum shaft attaching plate	(1)
26	*	283143	Feed detector circuit board (asm.)	(1)
27	*	283491	Screw	(1)
28	*	283152	Supporting spring plate	(1)
29	*	283491	Screw	(1)
30	*	283593	Feed regulating plate fulcrum shaft	(1)
31		283599	Pin	(1)
32		283459	E ring	(2)
33		283140	Feed regulating plate base (master asm.)	(1)
34	*	283139	Feed regulating plate ( asm.)	(1)
35	*	283489	Screw	(1)
36		283147	Spring washer	(1)
37		283527	Washer	(1)
38		283459	E ring	(1)
39	*	283147	Spring washer	(2)
40	*	283141	Feed STM crank link	(1)
41	*	283527	Washer	(2)
42	*	283459	E ring	(2)
43	*	283145	Feed STM crank ( asm.)	(1)
44	*	283511	Screw	(2)
45	*	283144	Shielding plate	(1)
46	*	283494	Screw	(1)
47	*	283150	Feed regulating gear attaching plate (asm.)	(1)
48	*	283499	Screw	(1)
49		283594	Feed regulating gear (A)	(1)
50		283691	Nut	(1)
51		283149	Feed regulating gear (B)	(1)
52		283502	Screw	2

13. POWER CIRCUIT BOARD, MAIN MOTOR COMPONENTS

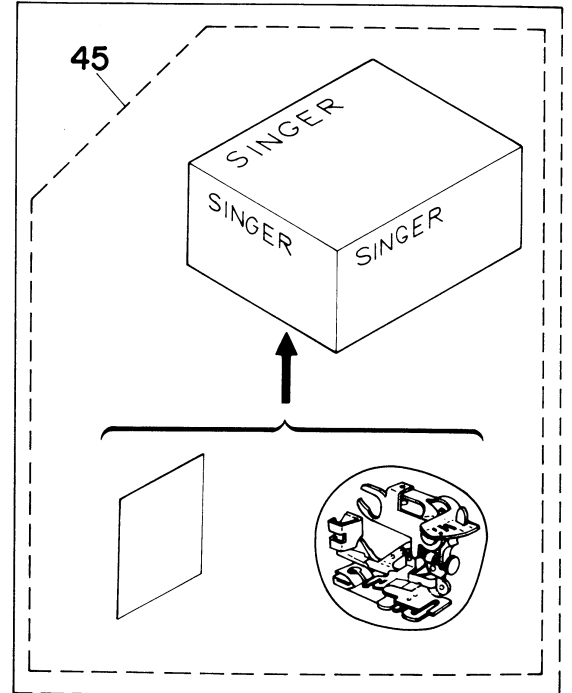


Ref No.	Note	Part No.	Part Description	Qty
1		283655	Power transformer (asm.) --- UL/CSA	1
1		283548	Power transformer (asm.) --- VDE/H.K	1
1		283549	Power transformer (asm.) --- SAA/BS	1
2		283502	Screw	4
3		283350	Power c.board (asm.) --- UL/CSA	1
3		283550	Power c.board (asm.) --- VDE/SAA/BS/H.K	1
4		283434	Fuse---UL/CSA	1
4		283689	Fuse--- VDE/SAA/BS/H.K	1
5		283346	Electrical component cover	1
6		283470	Screw	2
7		283652	Power SW mount. base (asm.) --- UL/CSA	1
7		283555	Power SW mount. base (asm.) --- VDE/SAA/H.K	1
7		283556	Power SW mount. base (asm.) --- BS	1
8		283355	Band	(1)
9		283349	Light SW (asm.) --- UL/CSA	(1)
9		283553	Light SW (asm.) --- VDE/SAA/BS/H.K	(1)
10		283651	Power SW mount. base	(1)
11		283471	Screw	(1)
12		283643	Power SW (asm.) --- UL/CSA	(1)
12		283554	Power SW (asm.) --- VDE/SAA/BS/H.K	(1)
13		283654	Power SW box cover	(1)
14		283653	Power switch box	(1)
15		283650	Power coard inlet (asm.)--- UL/CSA	(1)
15		283649	Power coard inlet (asm.)--- BS.	(1)
15		283648	Power coard inlet (asm.)--- VDE/SAA/H.K	(1)
16		283693	Screw	(2)
17		283345	Speed controller receptable (asm.)	1
18		283487	Screw	2
19		283322	Cord holder	1
20		283502	Screw	2
21		283662	Moter (asm.) B --- UL/CSA	1
21		283551	Motor (asm.) B --- VDE/H.K	1
21		283552	Motor (asm.) B --- SAA/BS	1
22	*	283659	Motor (asm.) A---UL/CSA	(1)
22	*	283660	Motor (asm.) A--- VDE/H.K	(1)
22	*	283661	Motoer (asm.) A--- SAA/BS	(1)
23	*	283369	Motor bracket---UL/CSA	(1)
23	*	283663	Motor bracket--- VDE/SAA/BS/H.K	(1)
24	*	283365	Motor shaft pulley	(1)
25	*	283366	Motor shaft flange	(1)
26	*	283227	Arch-shapped E ring	(1)
27	*	283448	Nut---UL/CSA	(2)
27	*	283451	Nut--- VDE/SAA/BS/H.K	(2)
28	*	283697	Washer--- VDE/SAA/BS/H.K	(2)
29	*	283666	Motor insulate bushing--- VDE/SAA/BS/H.K	(2)
30	*	283665	Motor insulate ring--- VDE/SAA/BS/H.K	(2)
31	*	283457	Pulley pin	(1)
32		283375	Shielding plate	(1)
33		283473	Screw	(1)
34		283667	Circuit board insulate sheet--- VDE/SAA/BS/H.K	(1)
35		283374	Motor base mounting base	(1)
36		283323	Cord holder	(1)
37		283451	Nut	(2)
38		283451	Nut	(2)
38		283690	Nut (insulation)--- VDE/SAA/BS/H.K	(1)
39		283376	Motor pulse detector circuit board (asm.)	(1)
40		283522	Screw	(1)
41		283504	Screw	2
42		283647	Electric power coard (asm.)--- UL/CSA	1
42		283545	Electric power coard (asm.)--- VDE/H.K	1
42		283546	Electric power coard(asm.)--- SAA	1
42		283547	Electric power coard (asm.)--- B.S	1
43		283688	Speed conroller box--- VDE/SAA/BS/H.K	1
44		283370	Speed controller (asm.)	1

14. ACCESSORIES PARTS COMPONENTS



15. OPTIONAL PART



Ref No.	Note	Part No.	Part Description	Qty
1		283669	Case (asm.)--- VDE/SAA/BS/H.K (UL/CSA Optional pa.)	1
2	*	283668	Case--- VDE/SAA/BS/H.K (UL/CSA Optional parts)	(1)
3		283670	Pad--- VDE/SAA/BS/H.K (UL/CSA Optional parts)	(6)
4		283673	Cushion--- VDE/SAA/BS/H.K (UL/CSA Optional parts)	(1)
5		283672	Lid--- VDE/SAA/BS/H.K/(UL/CSA Optional parts)	(1)
6		283671	Instruction manual holder--- VDE /SAA,BS/H.K	(1)
7	*	283414	Vinyl bag---VDE/SAA/BS/H.K	1
8		283426	Manual buttonholing presser foot (asm.)	1
9		283400	Concealed zipper presser foot (asm.)	1
10		283393	Rolled hemming presser foot (asm.)	1
11		283397	Cording presser foot (asm.)	1
12		283425	Assistant marker	1
13		283391	Oiler	1
14		283679	Spool pin	(1)
15		283680	Wing Needle (Set)	(1)
16		283678	Needle (set)	(1)
17		283677	Button foot	(1)
18		283409	Even feed foot (asm.)	1
19		283676	Accessery bag--- UL/CSA	(1)
20	*	283413	Vinyl bag	1
21		283683	Stitch guide (3)	1
22		283682	Stitch guide (2)	1
23		283681	Stitch guide (1)	1
24		283562	Instruction manual --- UL/CSA	1
24		283565	Instruction manual --- VDE	1
24		283564	Instruction manual --- SAA	1
24		283563	Instruction manual --- BS/H.K	1
25		283687	Warranty card--- UL/CSA	1
25		283685	Warranty card--- SAA	1
25		283686	Warranty card--- BS	1
26		283698	Registration card--- UL/CSA	1
27		283675	Accessory box (asm.)	1
28		283023	Thread spool cap	(1)
29		283395	Bobbin	(4)
30		283684	Teflon presser foot (asm.)	(1)
31		283402	Blind stitch presser foot (asm.)	(1)
32		283394	Screwdriver	(1)
33		283399	Zipper sewing presser foot (asm.)	(1)
34		283404	Overedging presser foot (asm.)	(1)
35		283396	Buttonholing presser foot (asm.)	(1)
36		283406	Embroidery needle plate (asm.)	(1)
37		283401	Ruler	(1)
38		283398	Seam ripper	(1)
39		283392	Eyelet punch	(1)
40		283403	Brush	(1)
41		283441	Accessory box sheet	(1)
42		283447	Accessory box tape	(2)
43		283389	Lid	(1)
44		283674	Accessory box	(1)
45		283571	Ruffler presser foot package (asm.)	1

16. NUMERICAL INDEX OF PARTS

Part No	Page	No	Part No	Page	No	Part No	Page	No	Part No	Page	No
283006	2	8	283088	14	29	283161	18	41	283240	16	31
283007	18	5	283089	14	4	283162	16	59	283241	16	36
283008	2	7	283090	14	20	283163	16	57	283242	20	36
283009	2	10	283091	14	6	283164	16	58	283243	16	19
283011	4	5	283092	14	53	283165	20	21	283244	16	1
283012	4	3	283093	14	24	283166	20	18	283245	16	8
283013	4	17	283094	14	14	283167	20	19	283246	12	24
283014	4	33	283095	16	51	283168	20	48	283246	16	6
283018	4	16	283096	14	15	283169	20	46	283247	16	5
283019	4	24	283097	14	17	283170	20	50	283248	16	11
283020	4	29	283098	16	52	283171	20	57	283249	16	10
283021	4	20	283100	16	48	283172	20	53	283250	16	2
283023	28	28	283101	16	49	283173	18	4	283251	16	3
283025	2	19	283102	14	25	283174	20	56	283252	16	4
283026	2	18	283104	14	27	283175	20	58	283253	16	54
283029	2	29	283105	14	26	283176	20	62	283254	16	20
283031	6	49	283106	10	10	283177	20	55	283255	16	12
283032	6	45	283106	14	16	283178	20	54	283256	14	22
283034	2	17	283107	10	9	283179	20	59	283257	2	3
283035	6	50	283108	14	10	283180	20	60	283259	8	2
283036	18	60	283109	14	18	283184	18	20	283260	8	1
283037	2	31	283110	14	11	283185	18	2	283261	8	7
283038	2	30	283111	10	19	283186	18	10	283262	8	5
283041	18	47	283112	20	12	283187	18	16	283263	10	50
283042	20	63	283113	20	9	283188	18	7	283264	8	3
283043	8	19	283114	20	6	283189	18	24	283265	8	9
283044	8	26	283115	20	3	283190	18	39	283266	12	16
283045	8	23	283116	20	4	283191	18	40	283267	12	15
283046	8	24	283117	18	11	283192	18	36	283268	12	17
283047	8	28	283118	20	7	283193	18	50	283269	12	19
283048	8	29	283119	20	28	283194	18	54	283270	12	20
283048	18	14	283120	20	33	283196	18	23	283272	10	51
283049	8	17	283121	18	45	283197	18	22	283273	12	28
283051	8	16	283122	20	11	283198	18	25	283274	12	26
283052	8	32	283123	20	34	283199	18	31	283275	12	23
283054	8	42	283124	20	29	283201	16	25	283276	12	39
283055	8	37	283125	20	27	283202	16	24	283277	12	35
283056	8	40	283126	18	43	283206	8	15	283278	12	40
283057	8	39	283127	20	31	283207	8	13	283279	12	37
283058	14	49	283128	14	50	283208	24	3	283280	12	38
283059	14	62	283128	18	33	283211	24	12	283281	12	31
283060	14	63	283129	18	34	283212	24	5	283282	12	33
283061	8	18	283130	20	13	283213	24	7	283283	10	45
283062	14	39	283131	20	24	283215	24	9	283284	12	11
283063	14	37	283132	20	23	283216	14	70	283285	12	3
283064	14	43	283133	20	25	283217	12	29	283286	12	8
283065	14	40	283134	20	38	283217	16	18	283287	12	5
283066	14	59	283135	20	40	283217	22	9	283288	12	2
283067	14	51	283136	20	42	283218	14	13	283289	12	1
283068	14	41	283137	20	1	283219	10	4	283290	12	7
283069	14	56	283138	20	14	283220	10	3	283291	12	6
283070	8	11	283139	24	34	283221	10	1	283292	10	44
283070	14	2	283140	24	33	283222	10	5	283293	10	55
283071	14	45	283141	24	40	283223	10	6	283294	10	53
283072	14	47	283142	24	20	283224	10	25	283295	6	38
283073	14	58	283143	24	26	283226	10	24	283296	6	39
283074	14	44	283144	24	45	283227	10	23	283297	6	40
283075	14	65	283145	24	43	283227	26	26	283298	10	47
283076	14	60	283147	4	28	283228	10	27	283299	10	46
283077	14	68	283147	20	41	283229	10	30	283302	22	5
283078	14	69	283147	24	36	283230	10	15	283303	22	3
283079	10	41	283147	24	39	283231	10	17	283304	20	51
283080	14	66	283149	24	51	283232	10	13	283304	22	13
283081	14	31	283150	24	47	283233	10	14	283305	22	12
283082	14	33	283152	24	28	283234	18	13	283306	22	11
283083	14	28	283156	18	18	283235	16	33	283307	22	6
283084	14	36	283157	16	43	283236	16	23	283308	22	4
283085	14	34	283158	16	39	283237	16	27	283309	22	7
283086	14	35	283159	16	41	283238	16	34	283310	16	16
283087	14	8	283160	16	40	283239	16	32	283311	4	23



Part No	Page	No	Part No	Page	No	Part No	Page	No	Part No	Page	No
283312	4	22	283404	28	34	283470	8	44	283491	24	27
283313	4	21	283405	14	64	283470	10	31	283491	24	29
283314	4	26	283406	28	36	283470	12	25	283492	10	48
283315	4	25	283409	28	18	283470	26	6	283493	4	38
283316	10	37	283413	28	20	283471	2	21	283493	4	39
283317	10	36	283414	28	7	283471	4	30	283494	24	46
283318	10	38	283425	28	12	283471	14	67	283495	6	60
283319	10	34	283426	28	8	283471	16	7	283496	22	14
283320	10	33	283434	26	4	283471	24	13	283497	24	24
283321	10	39	283441	28	41	283471	26	11	283498	6	51
283322	4	41	283447	28	42	283472	10	52	283499	24	48
283322	10	11	283448	26	27	283473	8	31	283500	10	49
283322	12	13	283449	18	49	283473	20	20	283501	12	12
283322	18	63	283450	16	35	283473	26	33	283501	16	13
283322	24	23	283451	8	53	283474	4	6	283502	8	10
283322	26	19	283451	26	27	283475	16	45	283502	8	12
283323	20	17	283451	26	37	283476	14	1	283502	8	25
283323	26	36	283451	26	38	283476	14	54	283502	10	26
283330	6	16	283452	10	18	283477	18	6	283502	16	14
283335	6	27	283453	16	21	283477	18	59	283502	18	8
283336	4	11	283454	14	48	283478	6	22	283502	18	17
283337	4	7	283455	8	22	283478	6	33	283502	18	30
283343	6	34	283456	8	21	283478	14	30	283502	18	35
283345	26	17	283456	14	46	283480	18	9	283502	18	46
283346	26	5	283457	26	31	283481	8	52	283502	18	55
283349	26	9	283458	12	36	283482	14	19	283502	18	57
283350	26	3	283459	6	47	283483	4	4	283502	18	58
283352	4	9	283459	8	4	283484	2	26	283502	18	61
283353	4	36	283459	10	2	283485	12	34	283502	20	66
283354	4	37	283459	12	21	283485	16	17	283502	20	67
283355	2	6	283459	12	32	283485	22	8	283502	22	16
283355	6	23	283459	16	29	283486	6	36	283502	24	4
283355	6	31	283459	16	42	283486	10	12	283502	24	17
283355	8	35	283459	20	5	283486	10	35	283502	24	22
283355	10	43	283459	20	30	283486	16	26	283502	24	52
283355	12	27	283459	20	44	283487	10	54	283502	26	2
283355	16	15	283459	20	49	283487	10	56	283502	26	20
283355	18	62	283459	20	52	283487	18	44	283503	14	9
283355	22	10	283459	24	32	283487	18	64	283503	24	21
283355	24	16	283459	24	38	283487	26	18	283504	2	25
283355	26	8	283459	24	42	283488	10	7	283504	26	41
283365	26	24	283460	8	8	283488	14	42	283505	10	16
283366	26	25	283460	8	50	283488	14	55	283505	24	8
283369	26	23	283460	10	28	283488	16	60	283506	14	38
283370	26	44	283460	12	9	283489	24	35	283506	16	50
283372	8	34	283460	14	52	283490	12	10	283506	18	26
283373	8	38	283460	16	9	283491	2	32	283506	18	42
283374	26	35	283460	16	22	283491	4	8	283506	20	8
283375	26	32	283460	16	55	283491	4	10	283506	20	32
283376	26	39	283460	20	35	283491	4	12	283507	20	22
283377	8	49	283460	20	61	283491	4	31	283508	20	10
283378	8	45	283460	24	11	283491	4	40	283509	18	48
283379	8	46	283461	8	14	283491	6	54	283510	18	19
283380	8	47	283461	16	30	283491	6	59	283510	18	21
283381	8	51	283461	18	38	283491	10	8	283511	18	3
283389	28	43	283462	16	28	283491	10	40	283511	18	32
283391	28	13	283463	18	15	283491	10	42	283511	18	37
283392	28	39	283464	8	33	283491	12	14	283511	20	45
283393	28	10	283464	8	36	283491	12	22	283511	24	6
283394	28	32	283465	14	61	283491	12	41	283511	24	44
283395	18	52	283466	16	38	283491	14	5	283512	14	32
283395	28	29	283467	16	56	283491	14	12	283513	20	26
283396	28	35	283468	2	13	283491	14	21	283514	10	20
283397	28	11	283468	16	44	283491	14	23	283515	18	12
283398	28	38	283469	4	34	283491	14	57	283516	8	20
283399	28	33	283469	12	4	283491	20	2	283516	8	27
283400	28	9	283469	24	15	283491	20	16	283517	6	57
283401	28	37	283470	2	24	283491	20	37	283517	14	3
283402	28	31	283470	2	28	283491	20	47	283518	18	51
283403	28	40	283470	6	58	283491	20	65	283519	10	22

Part No	Page	No	Part No	Page	No	Part No	Page	No	Part No	Page	No
283520	2	11	283599	24	31	283669	28	1		0	0
283522	4	18	283600	20	64	283670	28	3		0	0
283522	6	3	283601	20	15	283671	28	6		0	0
283522	6	12	283602	18	1	283672	28	5		0	0
283522	6	24	283603	18	53	283673	28	4		0	0
283522	6	37	283604	16	37	283674	28	44		0	0
283522	26	40	283605	18	29	283675	28	27		0	0
283523	2	12	283606	18	27	283676	28	19		0	0
283523	2	20	283607	18	28	283677	28	17		0	0
283523	2	23	283608	24	1	283678	28	16		0	0
283524	6	46	283609	24	2	283679	28	14		0	0
283525	6	17	283610	24	14	283680	28	15		0	0
283525	6	29	283611	10	21	283681	28	23		0	0
283526	14	7	283612	2	2	283682	28	22		0	0
283527	12	18	283613	4	15	283683	28	21		0	0
283527	12	30	283614	22	2	283684	28	30		0	0
283527	20	43	283615	22	1	283685	28	25		0	0
283527	24	37	283616	6	52	283686	28	25		0	0
283527	24	41	283617	6	1	283687	28	25		0	0
283528	8	6	283618	6	1	283688	26	43		0	0
283528	10	29	283619	6	1	283689	26	4		0	0
283528	16	53	283620	6	13	283690	26	38		0	0
283529	4	27	283621	6	2	283691	24	50		0	0
283529	24	10	283622	6	9	283692	6	14		0	0
283530	8	48	283623	6	15	283693	26	16		0	0
283531	20	39	283624	6	10	283694	2	33		0	0
283545	26	42	283625	6	4	283695	6	8		0	0
283546	26	42	283626	6	5	283696	4	19		0	0
283547	26	42	283627	6	11	283697	26	28		0	0
283548	26	1	283628	6	7	283698	28	26		0	0
283549	26	1	283629	6	6		0	0		0	0
283550	26	3	283630	6	21		0	0		0	0
283551	26	21	283631	6	19		0	0		0	0
283552	26	21	283632	6	18		0	0		0	0
283553	26	9	283633	6	20		0	0		0	0
283554	26	12	283634	6	25		0	0		0	0
283555	26	7	283635	6	28		0	0		0	0
283556	26	7	283636	6	53		0	0		0	0
283562	28	24	283637	6	55		0	0		0	0
283563	28	24	283638	6	44		0	0		0	0
283564	28	24	283639	6	35		0	0		0	0
283565	28	24	283640	6	42		0	0		0	0
283571	28	45	283641	6	30		0	0		0	0
283572	2	1	283642	8	43		0	0		0	0
283573	2	5	283643	26	12		0	0		0	0
283574	2	4	283644	4	35		0	0		0	0
283575	2	9	283645	4	35		0	0		0	0
283576	4	1	283646	6	26		0	0		0	0
283577	4	14	283647	26	42		0	0		0	0
283578	4	13	283648	26	15		0	0		0	0
283579	4	32	283649	26	15		0	0		0	0
283580	22	15	283650	26	15		0	0		0	0
283581	4	2	283651	26	10		0	0		0	0
283582	2	15	283652	26	7		0	0		0	0
283583	2	14	283653	26	14		0	0		0	0
283584	6	48	283654	26	13		0	0		0	0
283585	2	16	283655	26	1		0	0		0	0
283586	2	22	283656	6	32		0	0		0	0
283587	18	56	283657	6	43		0	0		0	0
283588	8	30	283658	6	41		0	0		0	0
283589	8	41	283659	26	22		0	0		0	0
283590	16	46	283660	26	22		0	0		0	0
283591	16	47	283661	26	22		0	0		0	0
283592	10	32	283662	26	21		0	0		0	0
283593	24	30	283663	26	23		0	0		0	0
283594	24	49	283664	2	27		0	0		0	0
283595	6	56	283665	26	30		0	0		0	0
283596	24	25	283666	26	29		0	0		0	0
283597	24	19	283667	26	34		0	0		0	0
283598	24	18	283668	28	2		0	0		0	0



