

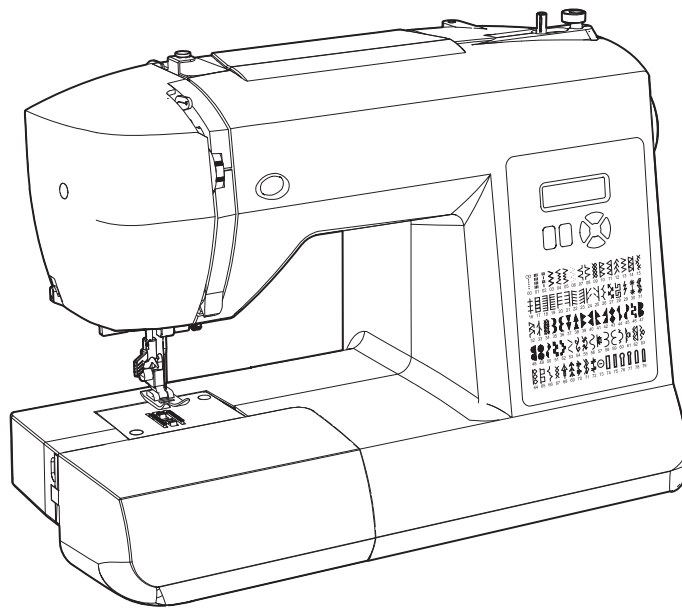


SINGER | Brilliance™

SINGER | Fashion Mate™

6199

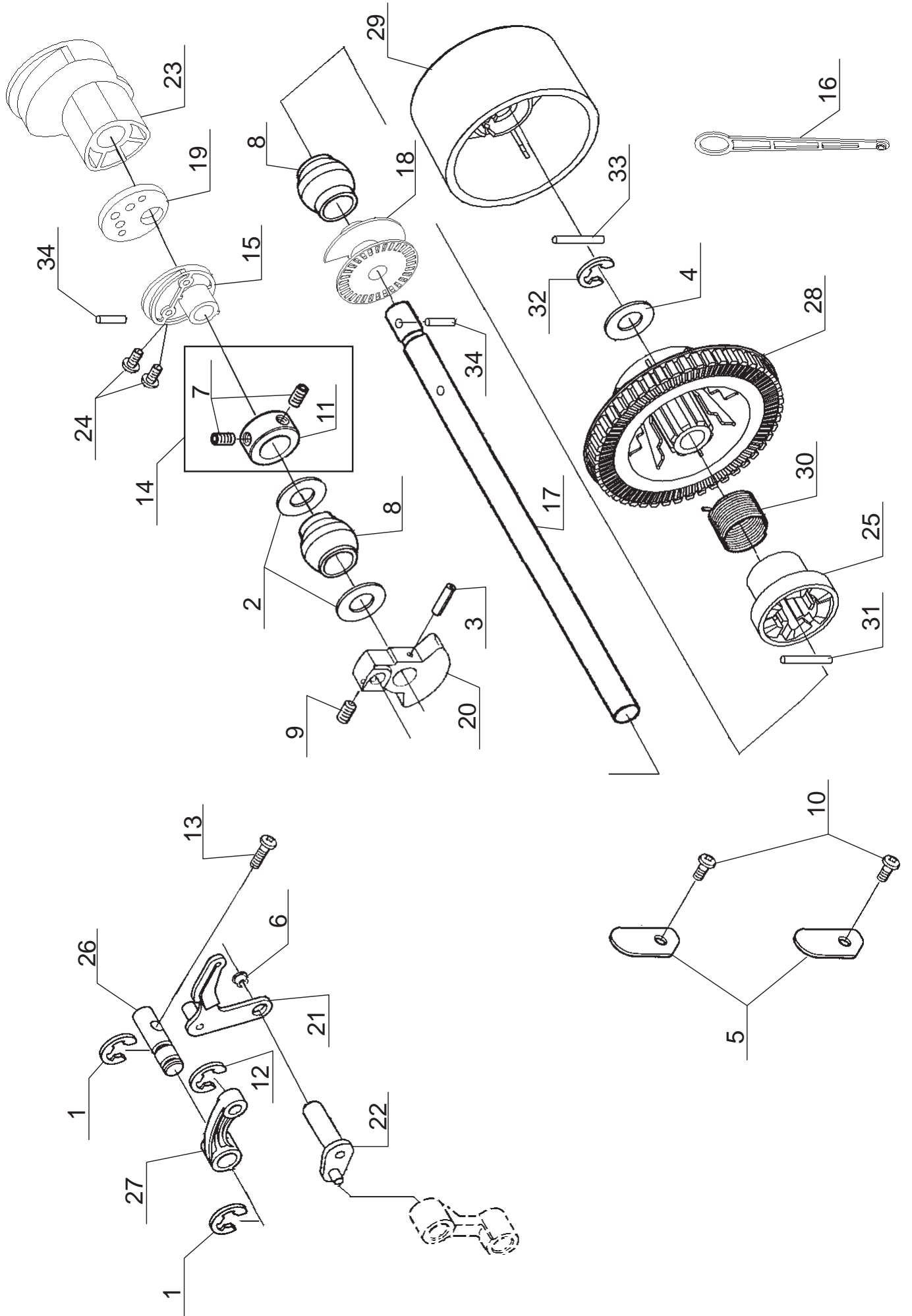
5500



Liste de pièces
Lista de Piezas
Parts List

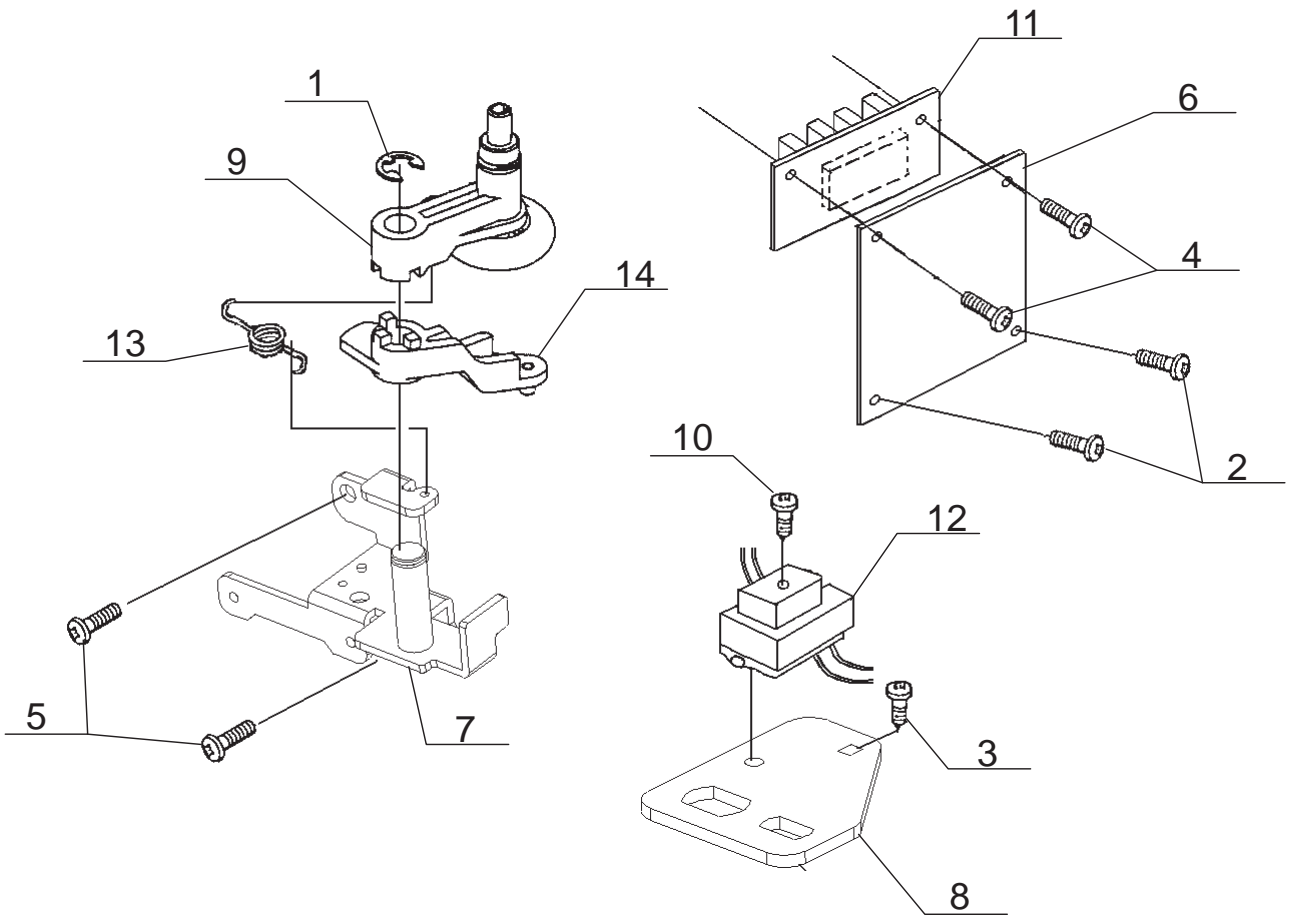
® A registered trademark of The Singer Company Ltd. or its affiliates.
® *Una marca registrada de The Singer Company Ltd. o sus afiliados.*
® *Une marca déposée de The Singer Company Ltd. ou ses filiales.*

A

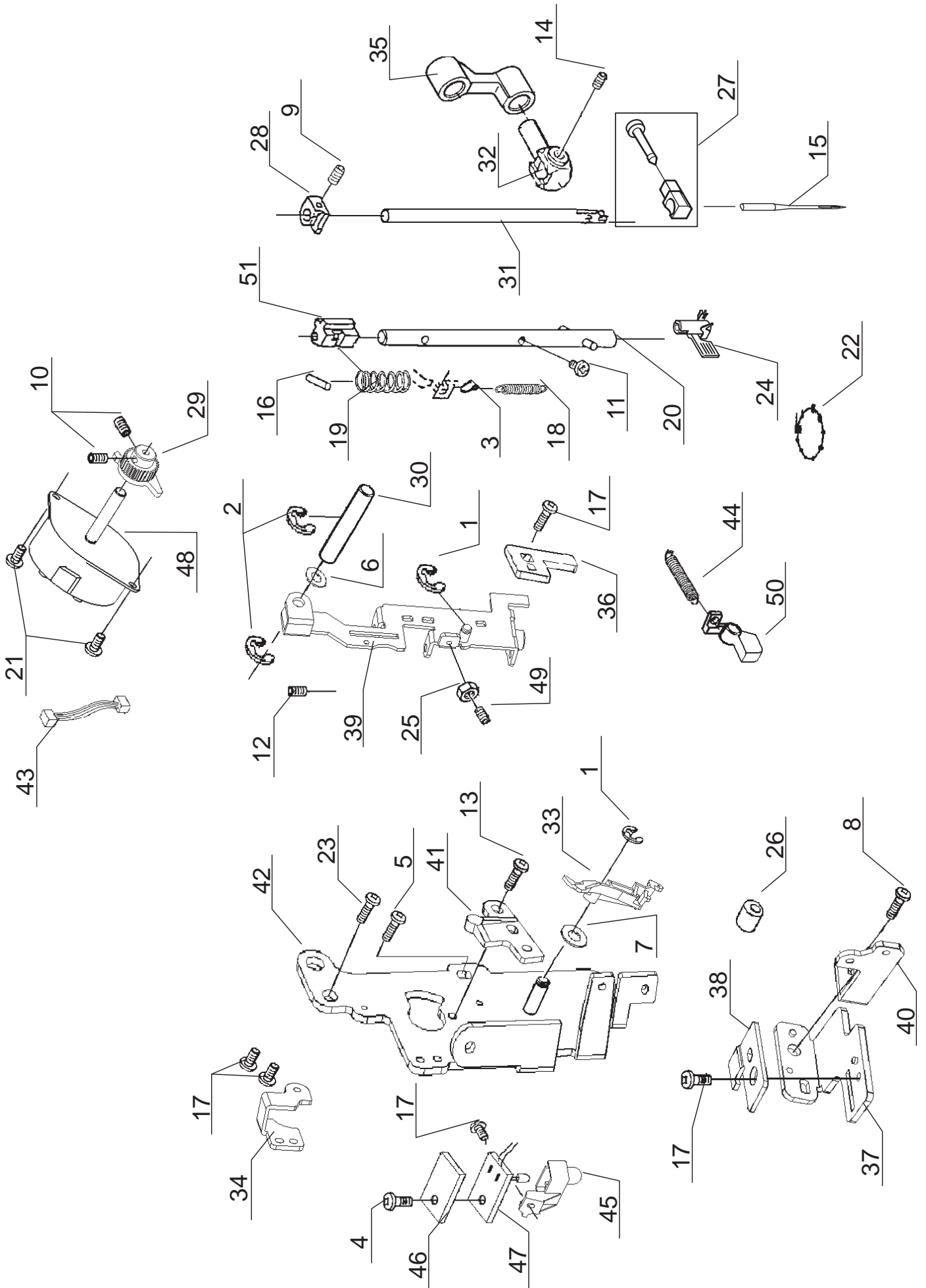


Pos	Part Number	Description
1	270 010963	E6 CLIP-ON-WASHER
2	270 043389	THRUST WASHER
3	270 043930	SPRING PIN
4	270 058437	WASHER
5	270 066235	SECURING PLATE
6	270 066437	BUSH
7	270 067447	M5 SCREW
8	270 068152	BALL BUSH
9	270 073371	M6 SCREW
10	270 073434	M4 PHILIPS SCREW
11	270 073472	COLLAR
12	270 075207	CS-CLIP
13	270 077035	M4 PHILIPS SCREW
14	416531201	COLLAR
15	416531301	FLANGE
16	416531401	CONNECTING ROD
17	416531501	MAIN SHAFT
18	416531601	SENSOR CAM
19	416531701	ECCENTRIC CAM
20	416459801	BALANCE CAM
21	416459901	TAKE-UP LEVER
22	416460101	CRANK SHAFT
23	416531801	FEED REGULATING CAM
24	416531901	M3 PHILIPS SCREW
25	416460201	RATCHET
26	416460301	SHAFT
27	416460401	TAKE-UP LEVER CRANK
28	416460501	BELT PULLEY
29	416460601	HAND WHEEL
30	416460701	COMPRESSION SPRING
31	416460801	PIN
32	416460901	E8 CLIP-ON-WASHER
33	416461001	PIN
34	416433401	SPRING PIN

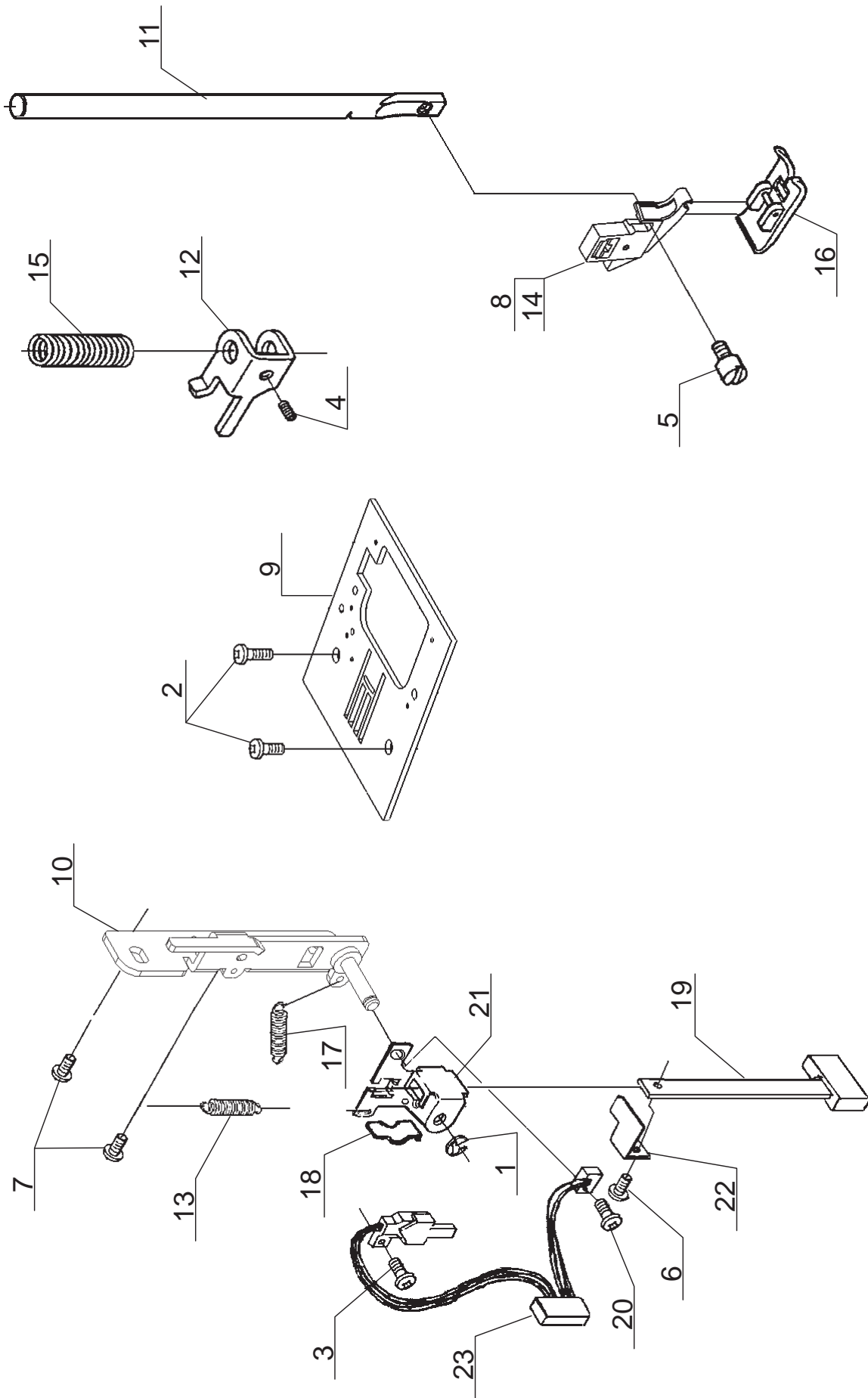
B



Pos	Part Number	Description
1	270 010963	E6 CLIP-ON-WASHER
2	270 061222	M4 PHILIPS SCREW
3	270 073900	M3 PHILIPS SCREW
4	270 076317	M3 PHILIPS SCREW
5	270 077042	M4 PHILLIPS SCREW
6	416532101	INSULATING SHEET
7	416461101	BOBBIN WINDER BRACKET
8	416532201	BRACKET
9	416461201	BOBBIN WINDER ASSY
10	270 085274	M2 SCREW
11	416461301	PHOTO SENSOR CIRCUIT BOARD
12	416461401	SWITCH HARNESS
13	270 087182	TORSION SPRING
14	416461501	BOBBIN WINDER BASE

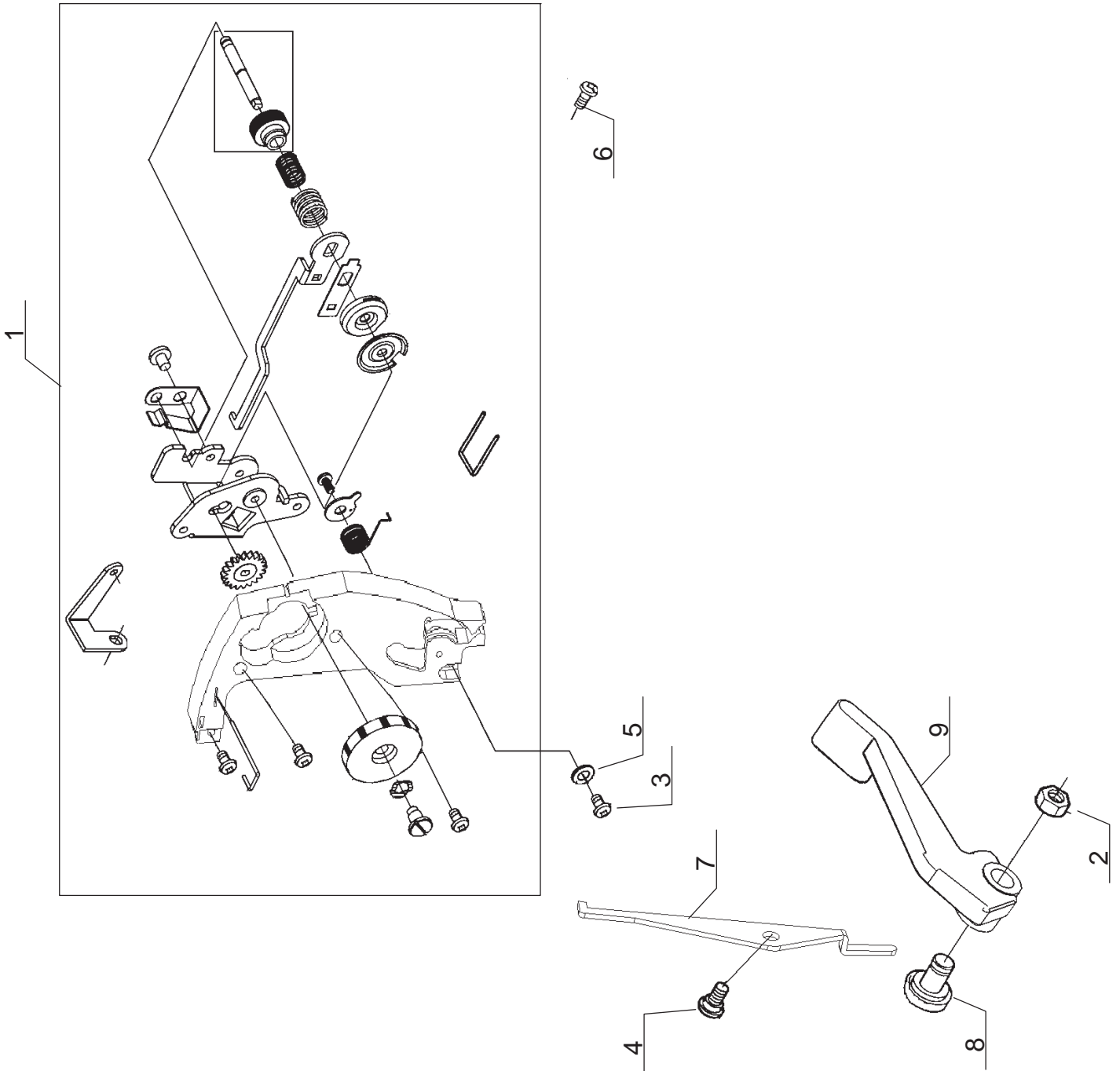


Pos	Part Number	Description
1	270 001513	E4 CLIP-ON-WASHER
2	270 008400	E5 CLIP-ON-WASHER
3	270 028917	HOOK FOR SPRING
4	270 039213	M3 SCREW
5	270 039817	M4 PHILIPS SCREW
6	270 042359	CRINKLE WASHER
7	270 053321	THRUST WASHER
8	270 061224	M4 PHILIPS SCREW
9	270 064359	M4 SCREW
10	270 064653	M3 SCREW
11	270 066005	M2 PHILIPS SCREW
12	270 066052	M4 SCREW
13	270 066318	M3 PHILIPS SCREW
14	270 066725	M4 SCREW
15		NEEDLE
16	270 068343	PIN
17	270 073900	M3 PHILIPS SCREW
18	270 074050	EXTENSION SPRING
19	270 075027	COMPRESSION SPRING
20	270 076163	NEEDLE BAR
21	270 076317	M3 PHILIPS SCREW
22	270 077041	UNITY FASTENER
23	270 077042	M4 PHILLIPS SCREW
24	270 077421	THREADER ASSEMBLY
25	416514001	M3 SCREW
26	416532301	RUBBER RING
27	416487801	NEEDLE CLAMP SET
28	416461601	STOPPER
29	416461701	ZIGZAG DRIVE GEAR
30	416532401	SUPPORT BASE PIN
31	416532501	NEEDLE BAR
32	416461801	NEEDLE BAR CRANK
33	416532601	ZIGZAG GUIDE BLOCK
34	416532801	SECURING SHAFT PLATE
35	416461901	NEEDLE BAR CRANK
36	416532901	LATCH PLATE
37	416533001	NEEDLE BAR SWING BRACKET
38	416533101	POSITIONER
39	416533201	NEEDLE BAR SUPPORT
40	416533301	THREAD GUIDE PLATE □ SECURING PLATE
41	416533401	ZIGZAG CAM □ STOPPER
42	416533501	NEEDLE BAR SUPPORT BRACKET
43	416533601	SENSOR UNIT
44	270 087183	SPRING
45	270 087236	LED LIGHT COVER
46	270 087267	INSULATION SHEET
47	270 087502	LED LIGHT CIRCUIT BOARD
48	270 087600	STEPPING MOTOR
49	416514101	M3 AR NUT
50	416462001	ECCENTRIC CAM
51	416462101	GUIDE BLOCK

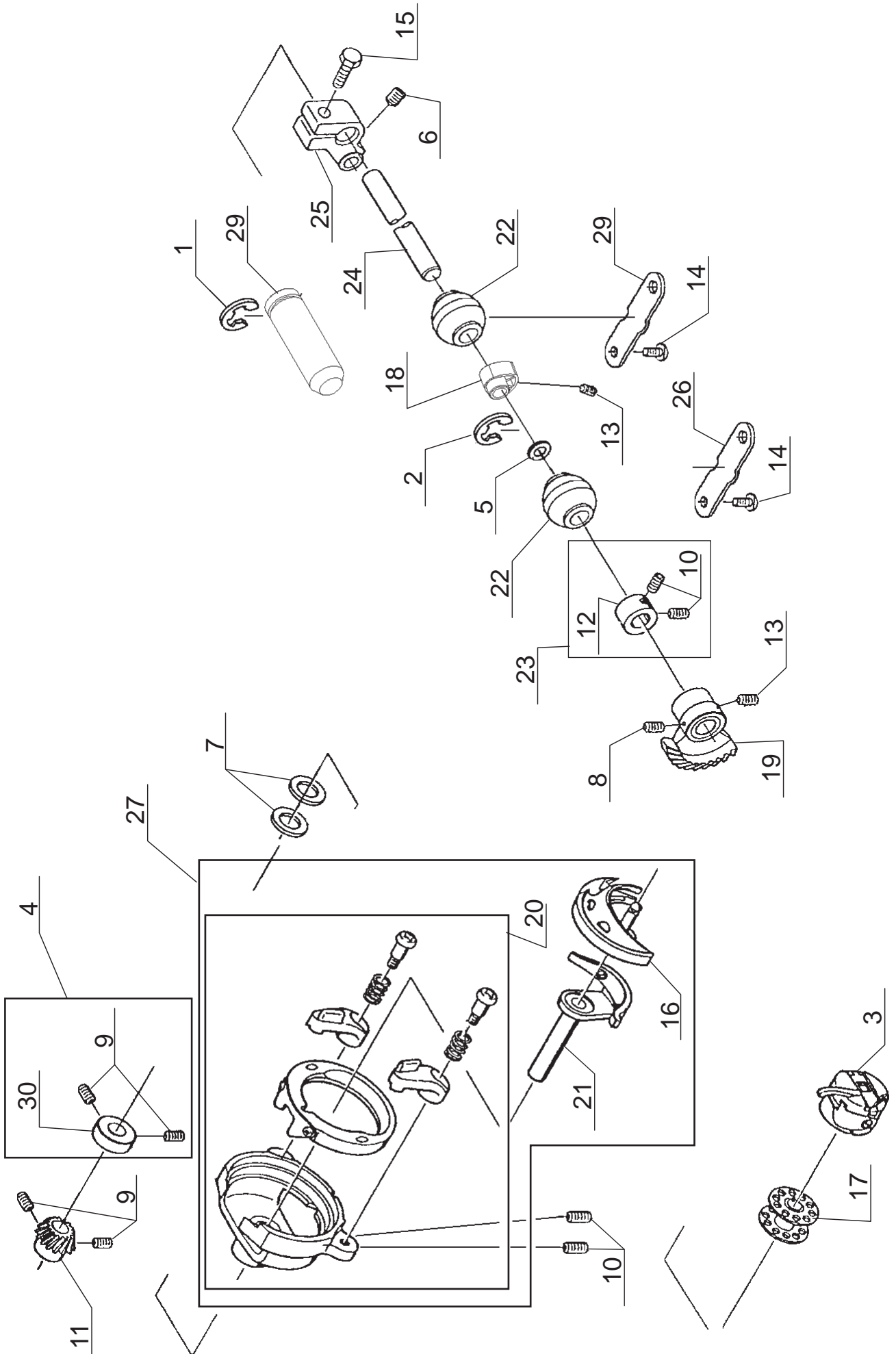


Pos	Part Number	Description
1	270 001520	E3 CLIP-ON-WASHER
2	270 064051	M4 SCREW
3	270 066005	M2 PHILIPS SCREW
4	270 066727	M4 SCREW
5	270 068299	#7 SCREW FOR SHANK
6	270 073900	M3 PHILIPS SCREW
7	270 077042	M4 PHILLIPS SCREW
8	416473901	PRESSER FOOT HOLDER(5500 ONLY)
9	416462201	NEEDLE PLATE
10	416533701	BH SECURING PLATE
11	416533801	PRESSER BAR
12	416462401	PRESSURE BAR GUIDE
13	416533901	EXTENSION SPRING
14	416462501	PRESSER FOOT HOLDER(6199 ONLY)
15	416462601	COMPRESSION SPRING
16	416474001	ZIGZAG PRESSER FOOT
17	416505601	EXTENSION SPRING
18	270 085181	LEAF SPRING
19	270 085198	BH PLATE (A)
20	270 085262	M2 SCREW
21	270 087117	BH PLATE B
22	270 087118	BH PLATE (C)
23	270 087507	BH SWITCH HARNESS

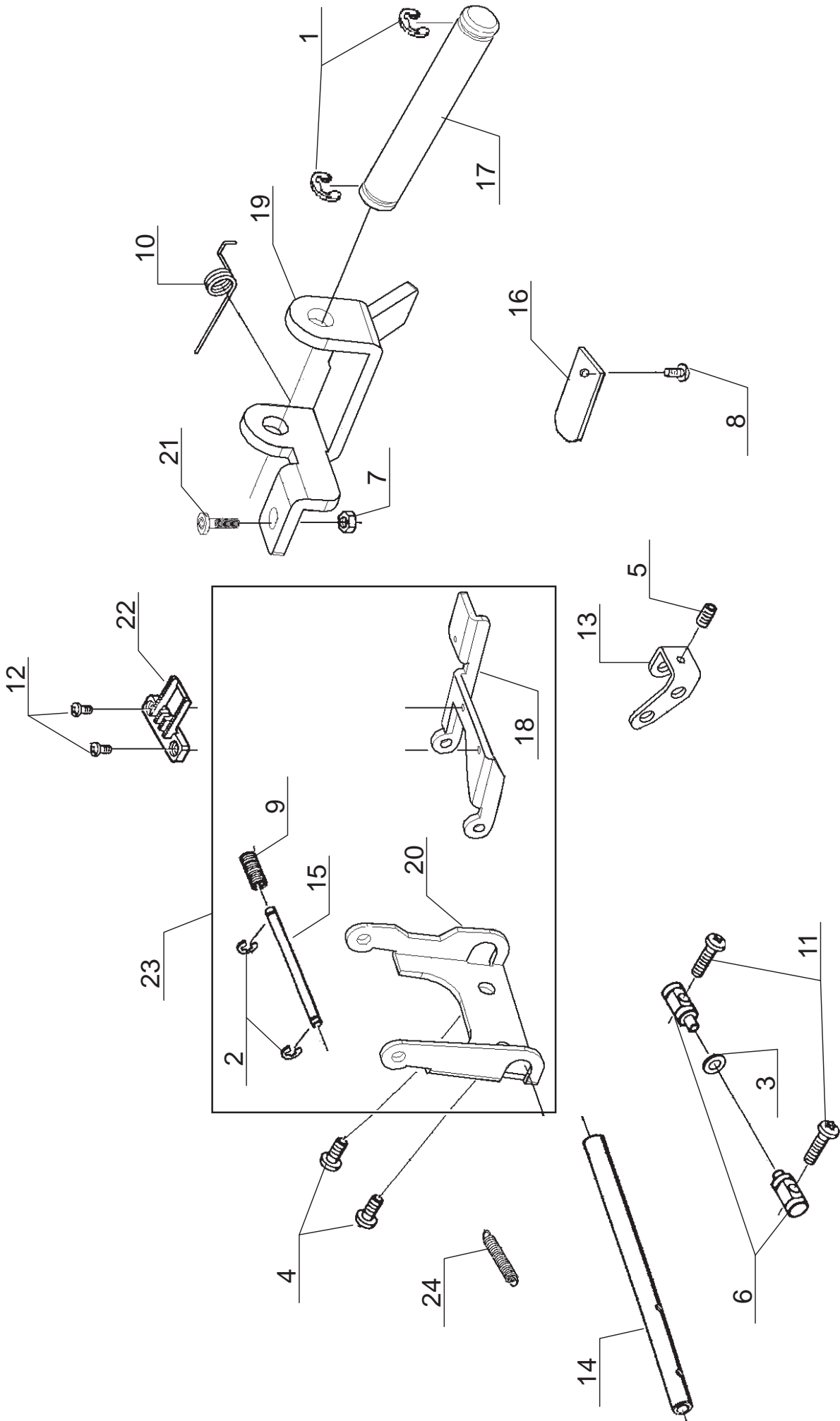
E



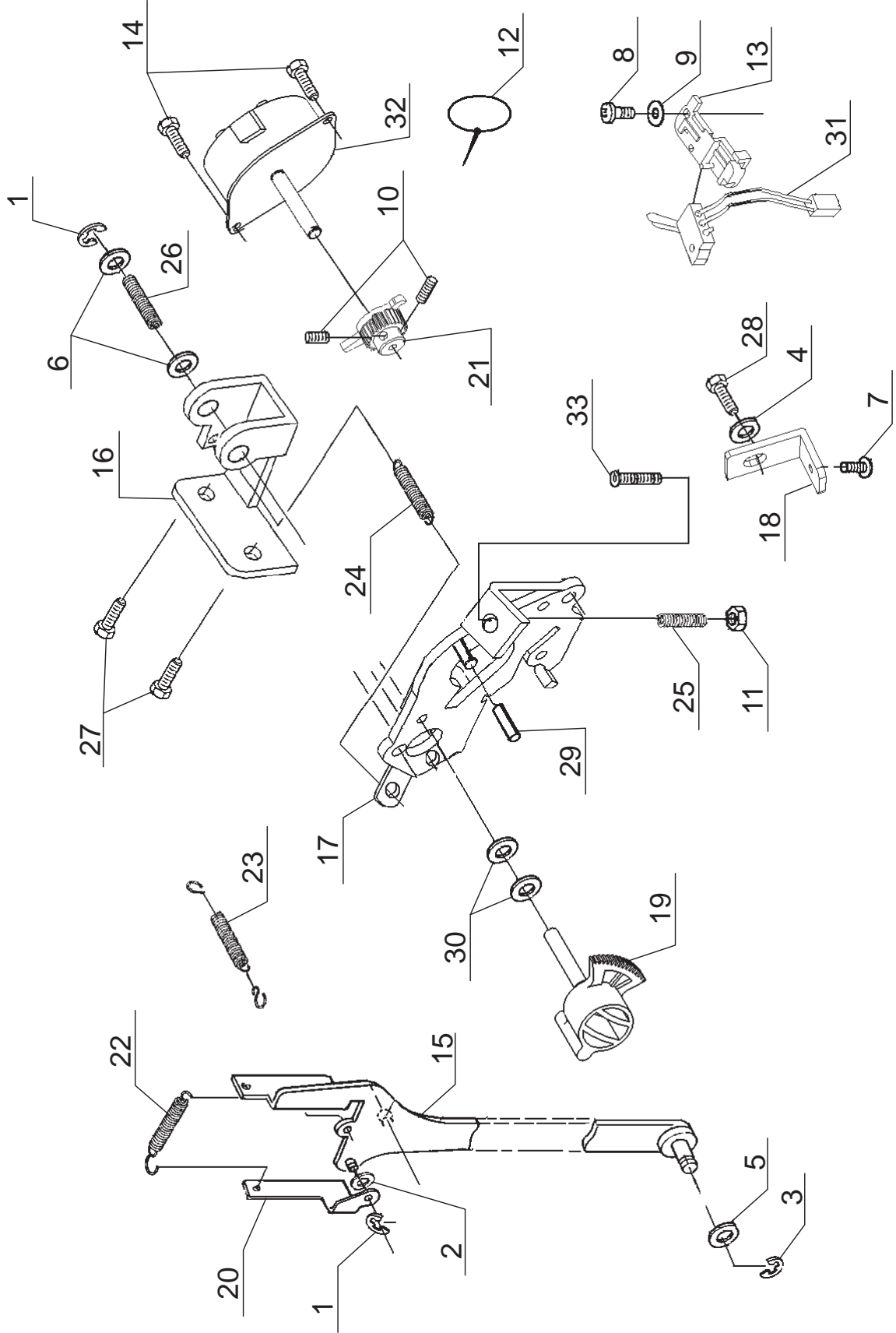
Pos	Part Number	Description
1	416462701	THREAD GUIDE PLATE UNIT
2	270 062215	M4 NUT
3	416379601	M3 SCREW
4	270 072266	M4 STUD SCREW
5	270 072858	WASHER
6	270 077042	M4 PHILLIPS SCREW
7	416462801	TENSION RELEASE LEVER
8	270 087212	M4 SCREW
9	270 087297	PRESSURE BAR LIFTER



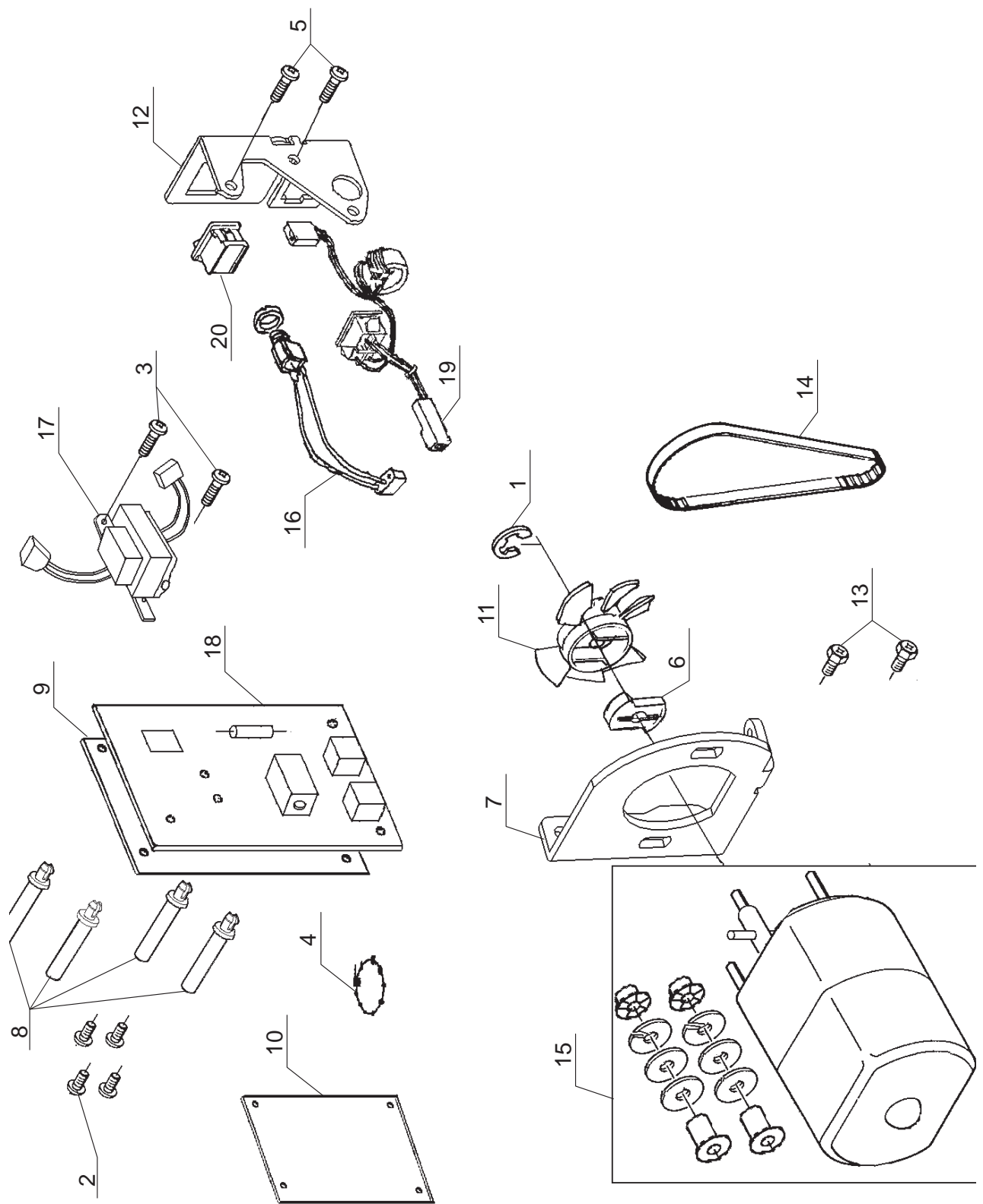
Pos	Part Number	Description
1	270 008400	E5 CLIP-ON-WASHER
2	270 010963	E6 CLIP-ON-WASHER
3	270 047910	BOBBIN CASE
4	416534001	COLLAR
5	270 061588	WASHER
6	270 062307	M4 SCREW
7	270 064637	THRUST WASHER
8	270 066474	M5 SCREW
9	270 066725	M4 SCREW
10	270 066727	M4 SCREW
11	270 067411	SPIRAL GEAR
12	270 067444	COLLAR
13	270 067447	M5 SCREW
14	270 073434	M4 PHILIPS SCREW
15	270 073973	M4 BOLT
16	270 074097	SHUTTLE HOOK
17	416534101	BOBBIN
18	270 075076	FEED-DOG LIFTING CAM
19	270 075204	BEVEL GEAR
20	416534201	SHUTTLE RACE ASSEMBLY
21	416464601	SHUTTLE DRIVER
22	270 076141	BALL METAL
23	416534301	COLLAR
24	416534401	LOWER SHAFT
25	416534501	LOWER SHAFT ROCKER
26	416534601	SECURING PLATE A
27	416464701	SHUTTLE RACE ASSEMBLY
28	416534701	LOWER SHAFT PIN
29	416534801	SECURING PLATE A
30	416534901	COLLAR



Pos	Part Number	Description
1	270 001513	E4 CLIP-ON-WASHER
2	270 001520	E3 CLIP-ON-WASHER
3	270 002744	WASHER
4	270 061224	M4 PHILIPS SCREW
5	270 061343	M4 SCREW
6	416535001	CENTER PIN
7	270 073299	M4 TORQUE NUT
8	270 073434	M4 PHILIPS SCREW
9	270 075186	COMPRESSION SPRING
10	270 075190	TORSION SPRING
11	270 077035	M4 PHILIPS SCREW
12	416535101	M3 SCREW
13	416535201	FEED REGULATING ARM
14	416535301	FEED REGULATING SHAFT
15	416535401	SHAFT
16	416535501	SECURING PLATE
17	416535601	SHAFT
18	416535701	FEED BASE
19	416535801	FEED-DOG LIFTING ARM BRACKET
20	416535901	FEED REGULATING BRACKET
21	416532001	M4 SCREW
22	416536001	FEED-DOG
23	416464801	FEED REGULATING BRACKET UNIT
24	270 087183	SPRING



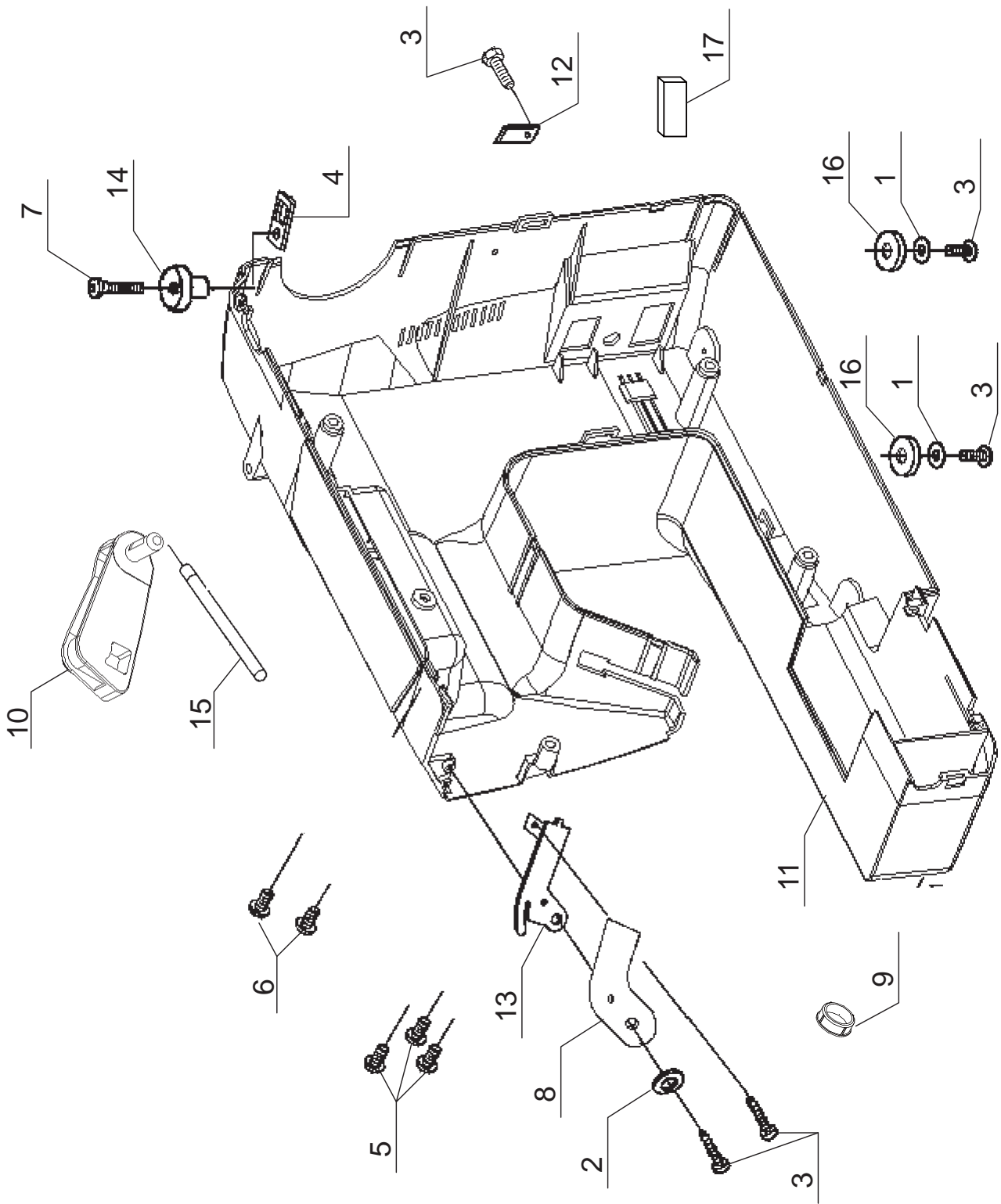
Pos	Part Number	Description
1	270 001513	E4 CLIP-ON-WASHER
2	270 001615	WASHER
3	270 008400	E5 CLIP-ON-WASHER
4	270 031246	WASHER
5	270 032316	WASHER
6	270 059221	WASHER
7	270 061222	M4 PHILIPS SCREW
8	416379601	M3 SCREW
9	270 063805	WASHER
10	270 064653	M3 SCREW
11	270 073299	M4 TORQUE NUT
12	270 077041	UNITY FASTENER
13	270 077527	SENSOR COVER
14	270 080110	BOLT
15	416536101	FEED REGULATING ROD
16	416536201	BRACKET
17	416536301	STEPPING MOTOR BRACKET
18	416536401	BRACKET
19	416462901	FEED REGULATOR
20	416536501	PLATE
21	416463001	PINION GEAR
22	270 085055	EXTENSION SPRING
23	270 085066	EXTENSION SPRING
24	270 087188	SPRING
25	270 087189	COMPRESSION SPRING
26	270 087191	COMPRESSION SPRING
27	270 087261	CP BOLT
28	270 087262	M3 CP SCREW
29	270 087273	PIN
30	270 087274	WASHER
31	416463101	SWITCH HARNESS
32	270 087600	STEPPING MOTOR
33	270 087668	M4 BOLT



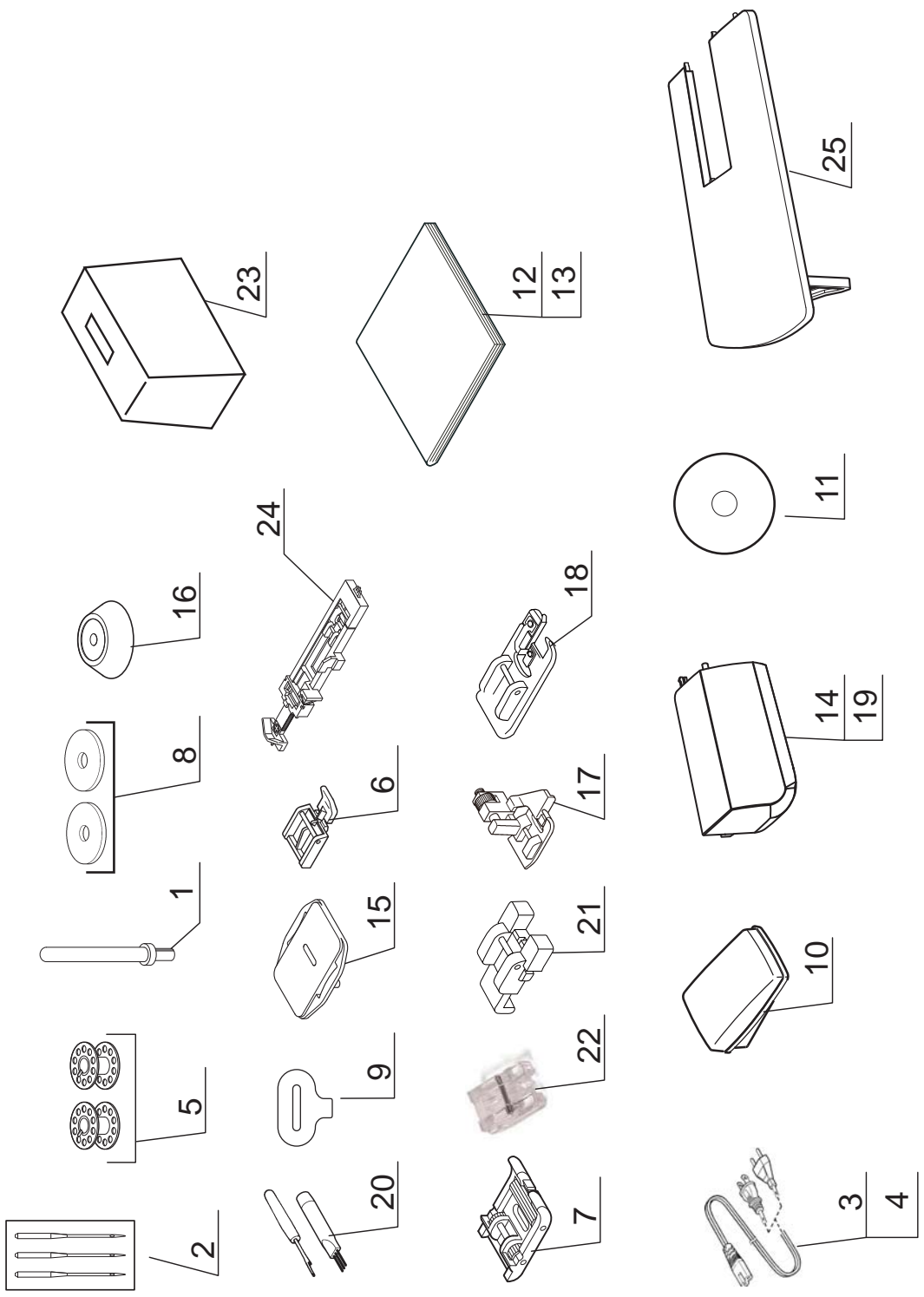
Pos	Part Number	Description
1	270 001520	E3 CLIP-ON-WASHER
2	270 039213	M3 SCREW
3	270 061222	M4 PHILIPS SCREW
4	270 077041	UNITY FASTENER
5	270 077042	M4 PHILLIPS SCREW
6	270 077614	GEAR CLUTCH
7	416536601	MOTOR BRACKET
8	416536701	SPACER
9	416536801	INSULATING SHEET
10	416536901	INSULATING SHEET
11	270 087237	MOTOR FAN
12	270 087249	SWITCH BRACKET
13	270 087261	CP BOLT
14	270 087263	DRIVING BELT
15	270 087510	MAIN MOTOR
16	270 087513	PIN-JACK HARNESS
17	270 087514	TRANSFORMER
18	270 087530	CIRCUIT BOARD
19	270 087536	INLET HARNESS
20	270 087541	SWITCH

|

Pos	Part Number	Description
1	270 001424	WASHER
2	270 004844	WASHER
3	270 039213	M3 SCREW
4	270 061222	M4 PHILIPS SCREW
5	270 065736	M4 PHILIPS SCREW
6	416537001	STICKER
7	270 077041	UNITY FASTENER
8	270 077042	M4 PHILLIPS SCREW
9	270 077396	BLADE
10	416463201	SHUTTLE RACE COVER
11	416463301	LCD BOX
12	416463401	FACE COVER
13	416537101	SPRING PLATE
14	416463601	THREAD GUIDE PIN
15	416463701	PIN
16	416537201	BUTTON
17	416537301	PATTERN SWITCH(5500ONLY)
18	416537401	PATTERN PANEL
19	416537501	PATTERN SWITCH(6199ONLY)
20	416537601	PATTERN PANEL
21	416463801	SWITCH HARNESS
22	416463901	LCD
23	416537701	CPU / SWITCH CIRCUIT BOARD
24	270 086945	JUMPER HARNESS
25	416537801	5P CORD HARNESS
26	270 087272	BRUSH
27	416452301	BUTTON
28	416537901	RUBBER FOOT



<u>Pos</u>	<u>Part Number</u>	<u>Description</u>
1	270 001424	WASHER
2	270 004844	WASHER
3	270 039213	M3 SCREW
4	270 039816	M4 SQUARE NUT
5	270 061224	M4 PHILIPS SCREW
6	270 064484	TAPPING SCREW
7	270 077035	M4 PHILIPS SCREW
8	270 077528	SPRING PLATE
9	270 083116	CAP
10	416538001	SPOOL PIN BASE
11	416464301	BACK COVER
12	416538101	SPRING PLATE
13	416464401	TENSION PLATE
14	270 087251	BOBBIN WINDER CAM
15	416492601	SPOOL PIN
16	416537901	RUBBER FOOT
17	416538201	SPACER



Pos	Part Number	Description
1	270 064083	SPOOL PIN
2	260 202000090S23B	NEEDLE SET
3	416464901	POWER CORD (120V)
4	416465001	POWER CORD (230V)
5	416534101	BOBBIN
6	416437001	ZIPPER FOOT
7	270 076292	ROLLER FOOT □6199ONLY
8	270 077040	SPOOL PIN DISC
9	270 079455	LARGE SCREW DRIVER
10	416436101	FOOT CONTROL
11	416531101	DVD
12	416465226	INSTURCTION BOOK (E/F/S) □5500ONLY
13	416538301	INSTURCTION BOOK (Eng) □6199ONLY
14	416474401	ACC.BOX □6199ONLY
15	416465401	DARNING PLATE
16	416465501	SPOOL PIN CAP
17	416538401	BLIND STITCH FOOT (EX TPO) □6199ONLY
18	416538501	OVERCASTING FOOT (EX TPO) □6199ONLY
19	416531001	ACC.BOX □5500ONLY
20	416436401	BUTTONHOLE OPENER / BRUSH
21	416538601	BUTTON SEWING FOOT(EX TPO) □6199ONLY
22	416538701	INVISIBLE ZIPPER FOOT (EX TPO) □6199ONLY
23	416538901	HARD COVER
24	416465601	BUTTONHOLE FOOT
25	416539001	EXTENSION TABLE