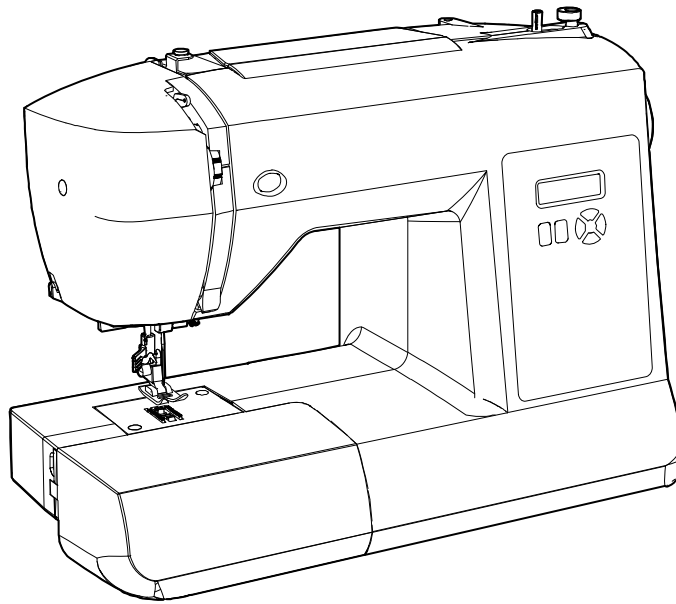




SINGER | Brilliance™

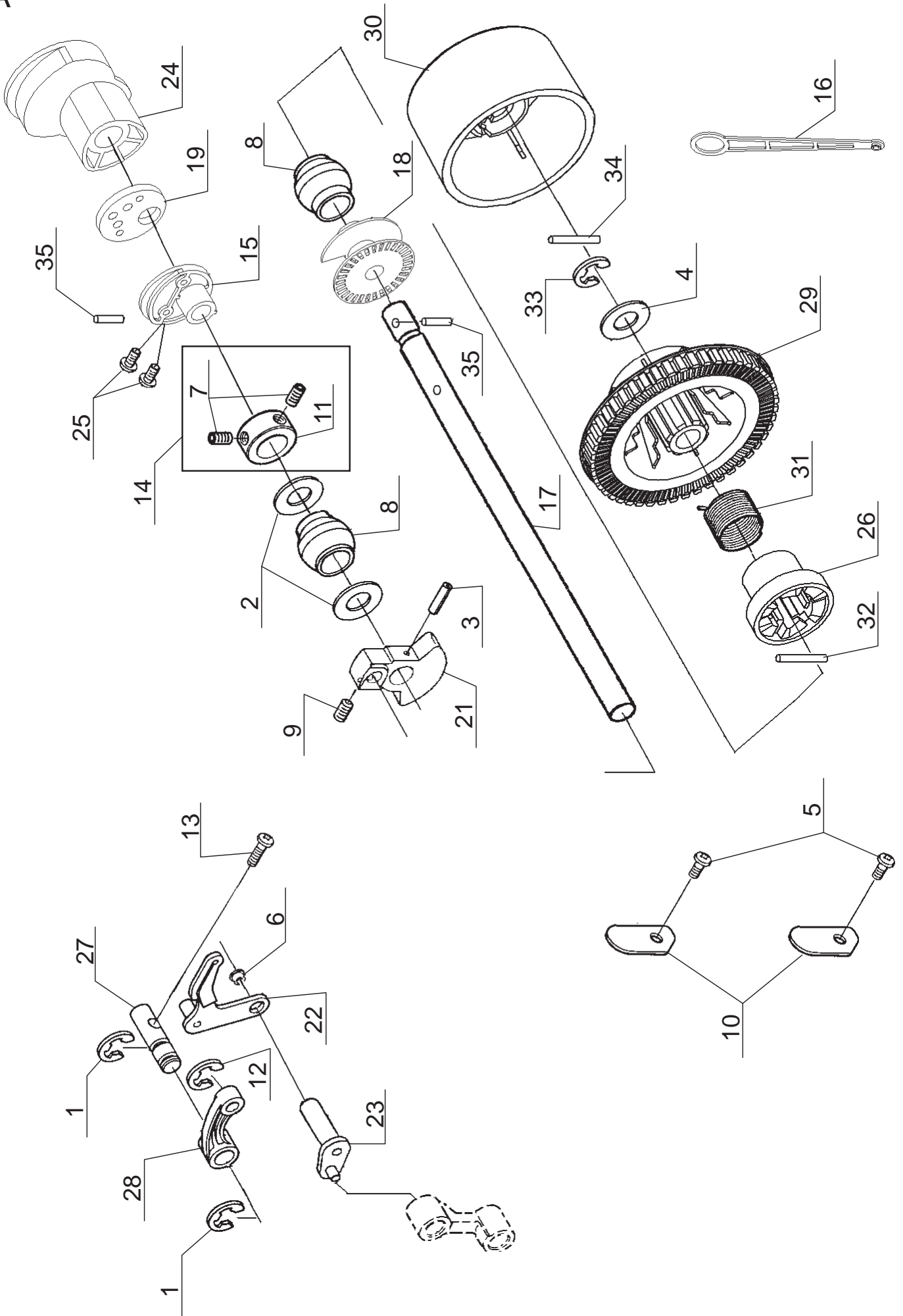
6160

5400



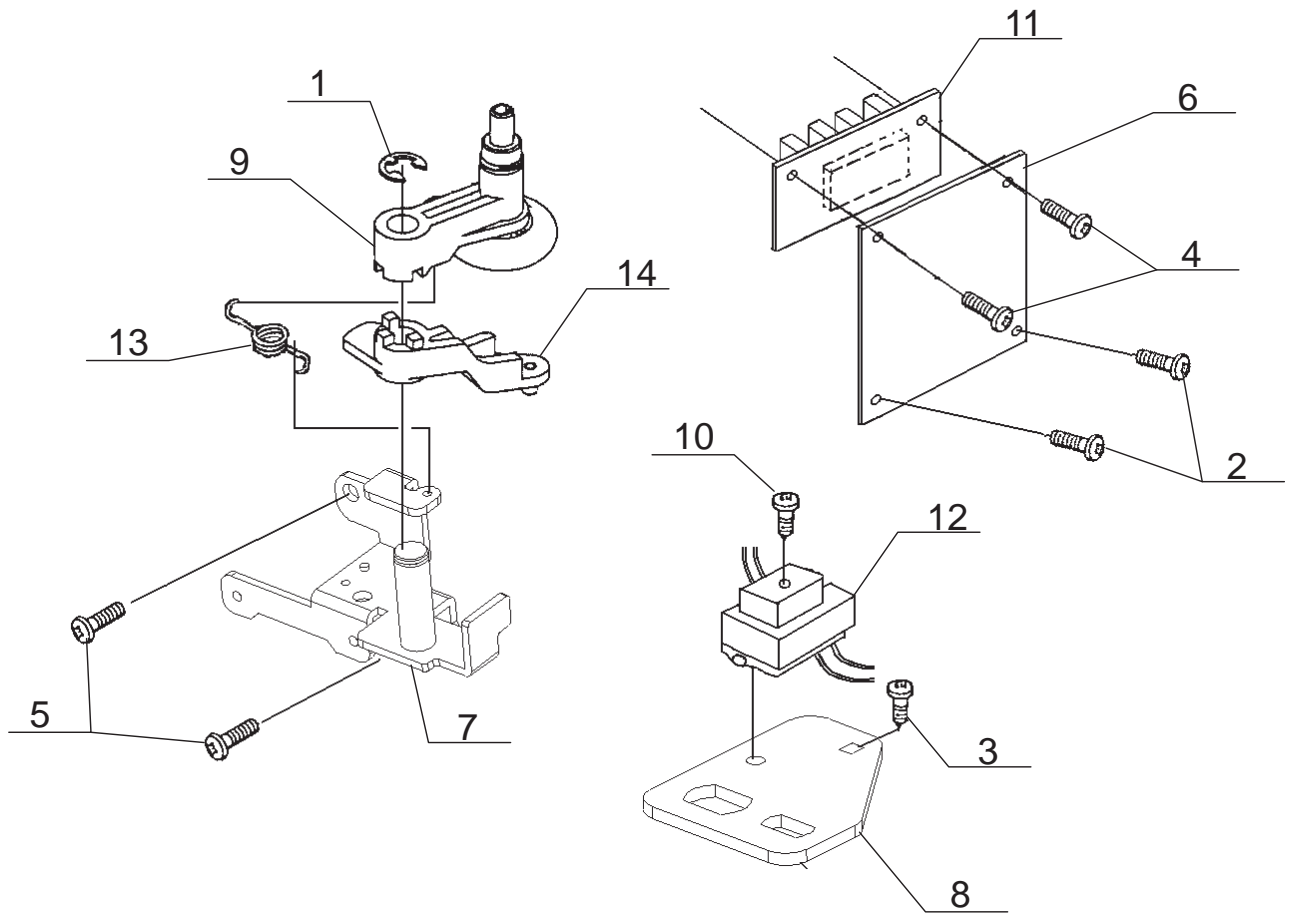
Liste de pièces
Lista de Piezas
Parts List

A

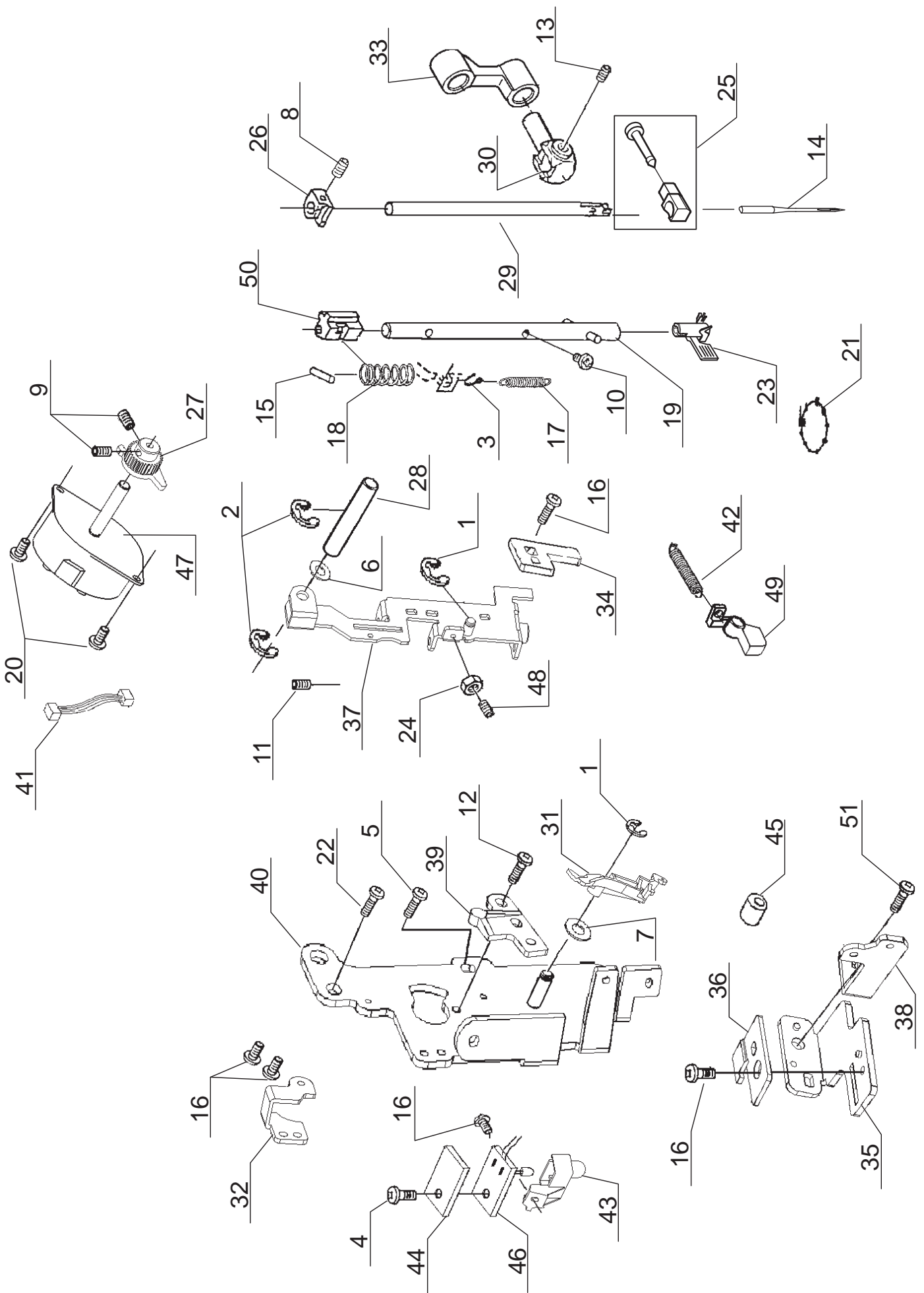


| Pos | Part Number | Description |
|-----|-------------|---------------------|
| 1 | 270 010963 | E6 CLIP-ON-WASHER |
| 2 | 270 043389 | THRUST WASHER |
| 3 | 270 043930 | SPRING PIN |
| 4 | 270 058437 | WASHER |
| 5 | 270 066235 | SECURING PLATE |
| 6 | 270 066437 | BUSH |
| 7 | 270 067447 | M5 SCREW |
| 8 | 270 068152 | BALL BUSH |
| 9 | 270 073371 | M6 SCREW |
| 10 | 270 073434 | M4 PHILIPS SCREW |
| 11 | 270 073472 | COLLAR |
| 12 | 270 075207 | CS-CLIP |
| 13 | 270 077035 | M4 PHILIPS SCREW |
| 14 | 416531201 | COLLAR |
| 15 | 416531301 | FLANGE |
| 16 | 416531401 | CONNECTING ROD |
| 17 | 416531501 | MAIN SHAFT |
| 18 | 416531601 | SENSOR CAM |
| 19 | 416531701 | ECCENTRIC CAM |
| 20 | 416532001 | M4 SCREW |
| 21 | 416459801 | BALANCE CAM |
| 22 | 416459901 | TAKE-UP LEVER |
| 23 | 416460101 | CRANK SHAFT |
| 24 | 416531801 | FEED REGULATING CAM |
| 25 | 416531901 | M3 PHILIPS SCREW |
| 26 | 416460201 | RATCHET |
| 27 | 416460301 | SHAFT |
| 28 | 416460401 | TAKE-UP LEVER CRANK |
| 29 | 416460501 | BELT PULLEY |
| 30 | 416460601 | HAND WHEEL |
| 31 | 416460701 | COMPRESSION SPRING |
| 32 | 416460801 | PIN |
| 33 | 416460901 | E8 CLIP-ON-WASHER |
| 34 | 416461001 | PIN |
| 35 | 416433401 | SPRING PIN |

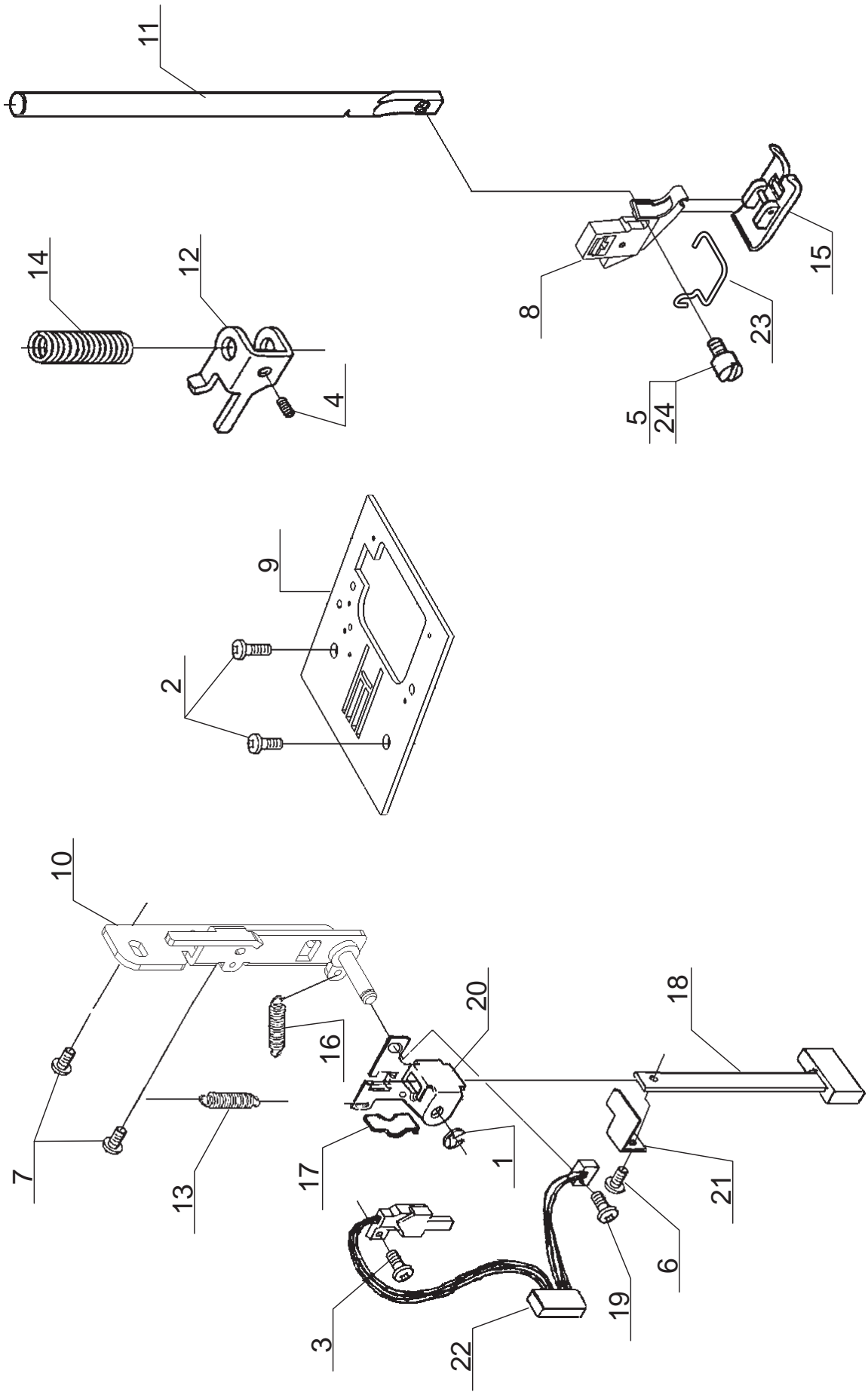
B



| Pos | Part Number | Description |
|-----|-------------|----------------------------|
| 1 | 270 010963 | E6 CLIP-ON-WASHER |
| 2 | 270 061222 | M4 PHILIPS SCREW |
| 3 | 270 073900 | M3 PHILIPS SCREW |
| 4 | 270 076317 | M3 PHILIPS SCREW |
| 5 | 270 077042 | M4 PHILLIPS SCREW |
| 6 | 416532101 | INSULATING SHEET |
| 7 | 416461101 | BOBBIN WINDER BRACKET |
| 8 | 416532201 | BRACKET |
| 9 | 416461201 | BOBBIN WINDER ASSY |
| 10 | 270 085274 | M2 SCREW |
| 11 | 416461301 | PHOTO SENSOR CIRCUIT BOARD |
| 12 | 416461401 | SWITCH HARNESS |
| 13 | 270 087182 | TORSION SPRING |
| 14 | 416461501 | BOBBIN WINDER BASE |

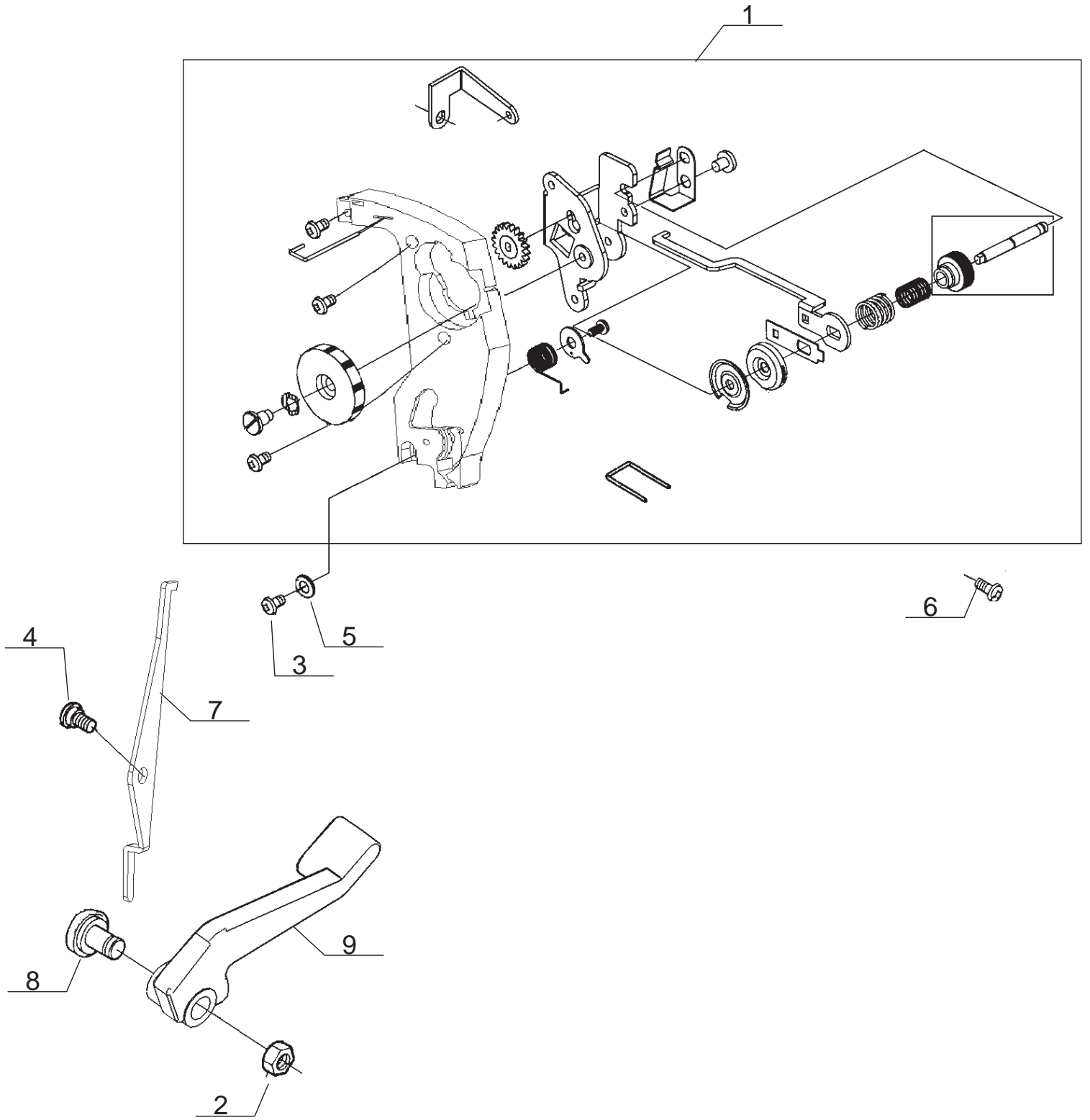


| Pos | Part Number | Description |
|-----|---------------|-------------------------------|
| 1 | 270 001513 | E4 CLIP-ON-WASHER |
| 2 | 270 084008 | E5 CLIP-ON-WASHER |
| 3 | 270 028917 | HOOK FOR SPRING |
| 4 | 270 039213 | M3 SCREW |
| 5 | 270 039817 | M4 PHILIPS SCREW |
| 6 | 270 042359 | CRINKLE WASHER |
| 7 | 270 053321 | THRUST WASHER |
| 8 | 270 053321 | M4 SCREW |
| 9 | 270 064653 | M3 SCREW |
| 10 | 270 066005 | M2 PHILIPS SCREW |
| 11 | 270 066052 | M4 SCREW |
| 12 | 415404701 | M3 PHILIPS SCREW |
| 13 | 270 066725 | M4 SCREW |
| 14 | 260 353364000 | NEEDLE |
| 15 | 270 068343 | PIN |
| 16 | 270 073900 | M3 PHILIPS SCREW |
| 17 | 270 074050 | EXTENSION SPRING |
| 18 | 270 075027 | COMPRESSION SPRING |
| 19 | 270 076163 | NEEDLE BAR |
| 20 | 270 080110 | M3 PHILIPS SCREW |
| 21 | 270 077041 | UNITY FASTENER |
| 22 | 270 077042 | M4 PHILLIPS SCREW |
| 23 | 270 07742 | THREADER ASSEMBLY |
| 24 | 416514001 | M3 SCREW |
| 25 | 416487801= | NEEDLE CLAMP SET |
| 26 | 416461601 | STOPPER |
| 27 | 416461701 | ZIGZAG DRIVE GEAR |
| 28 | 416532401 | SUPPORT BASE PIN |
| 29 | 416532501 | NEEDLE BAR |
| 30 | 416461801 | NEEDLE BAR CRANK |
| 31 | 416532601 | ZIGZAG GUIDE BLOCK |
| 32 | 416532701 | SECURING SHAFT PLATE |
| 33 | 416461901 | NEEDLE BAR CRANK |
| 34 | 416532901 | LATCH PLATE |
| 35 | 416533001 | NEEDLE BAR ADJUSTING PLATE |
| 36 | 416533101 | SECURING PLATE |
| 37 | 416533201 | NEEDLE BAR SUPPORT |
| 38 | 416533301 | TENSION GUIDE ADJUSTING PLATE |
| 39 | 416533401 | ZZ CAM LIMITING PLATE |
| 40 | 416533501 | NEEDLE BAR SUPPORT BRACKET |
| 41 | 416533601 | SENSOR UNIT |
| 42 | 270 087183 | SPRING |
| 43 | 270 087236 | LED LIGHT COVER |
| 44 | 270 08726 | INSULATION SHEET |
| 45 | 416532301 | RUBBER RING |
| 46 | 270 087502 | LED LIGHT CIRCUIT BOARD |
| 47 | 270 087600 | STEPPING MOTOR |
| 48 | 416514101 | M3 AR NUT |
| 49 | 416462001 | ECCENTRIC CAM |
| 50 | 416462101 | GUIDE BLOCK |

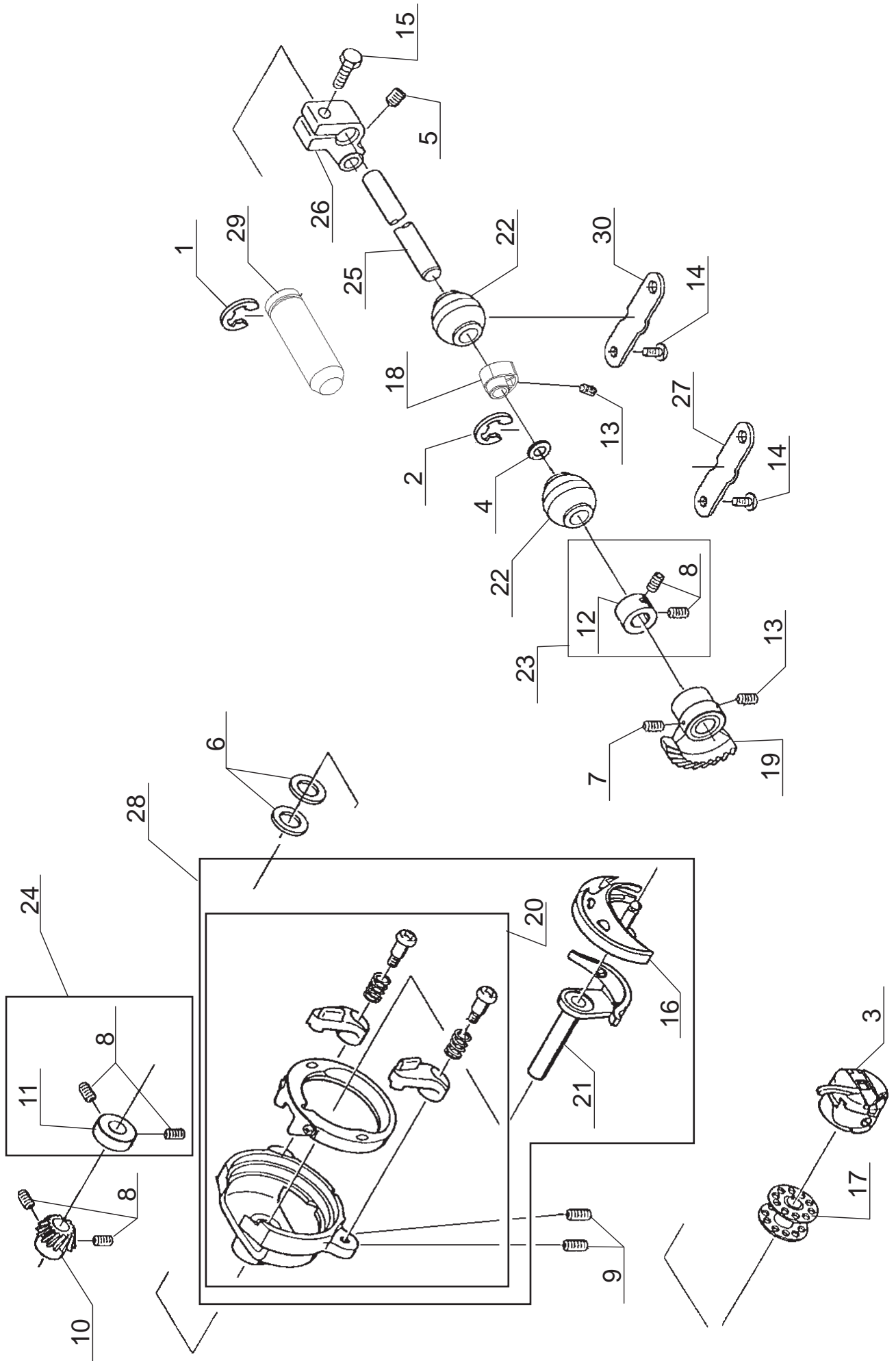


| Pos | Part Number | Description |
|-----|-------------|---------------------|
| 1 | 270 001520 | E3 CLIP-ON-WASHER |
| 2 | 270 064051 | M4 SCREW |
| 3 | 270 066005 | M2 PHILIPS SCREW |
| 4 | 270 066727 | M4 SCREW |
| 5 | 270 068299 | #7 SCREW FOR SHANK |
| 6 | 270 073900 | M3 PHILIPS SCREW |
| 7 | 270 077042 | M4 PHILLIPS SCREW |
| 8 | 416473901 | PRESSER FOOT HOLDER |
| 9 | 416462201 | NEEDLE PLATE |
| 10 | 416533701 | BH SECURING PLATE |
| 11 | 416533801 | PRESSER BAR |
| 12 | 416462401 | PRESSURE BAR GUIDE |
| 13 | 416533901 | EXTENSION SPRING |
| 14 | 416462601 | COMPRESSION SPRING |
| 15 | 416474001 | ZIGZAG PRESSER FOOT |
| 16 | 416505601 | EXTENSION SPRING |
| 17 | 270 085181 | LEAF SPRING |
| 18 | 270 085198 | BH PLATE (A) |
| 19 | 270 085262 | M2 SCREW |
| 20 | 270 087117 | BH PLATE B |
| 21 | 270 087118 | BH PLATE (C) |
| 22 | 270 087507 | BH SWITCH HARNESS |
| 23 | 416539601 | FINGER GUARD |
| 24 | 416539501 | #7 SCREW FOR SHANK |

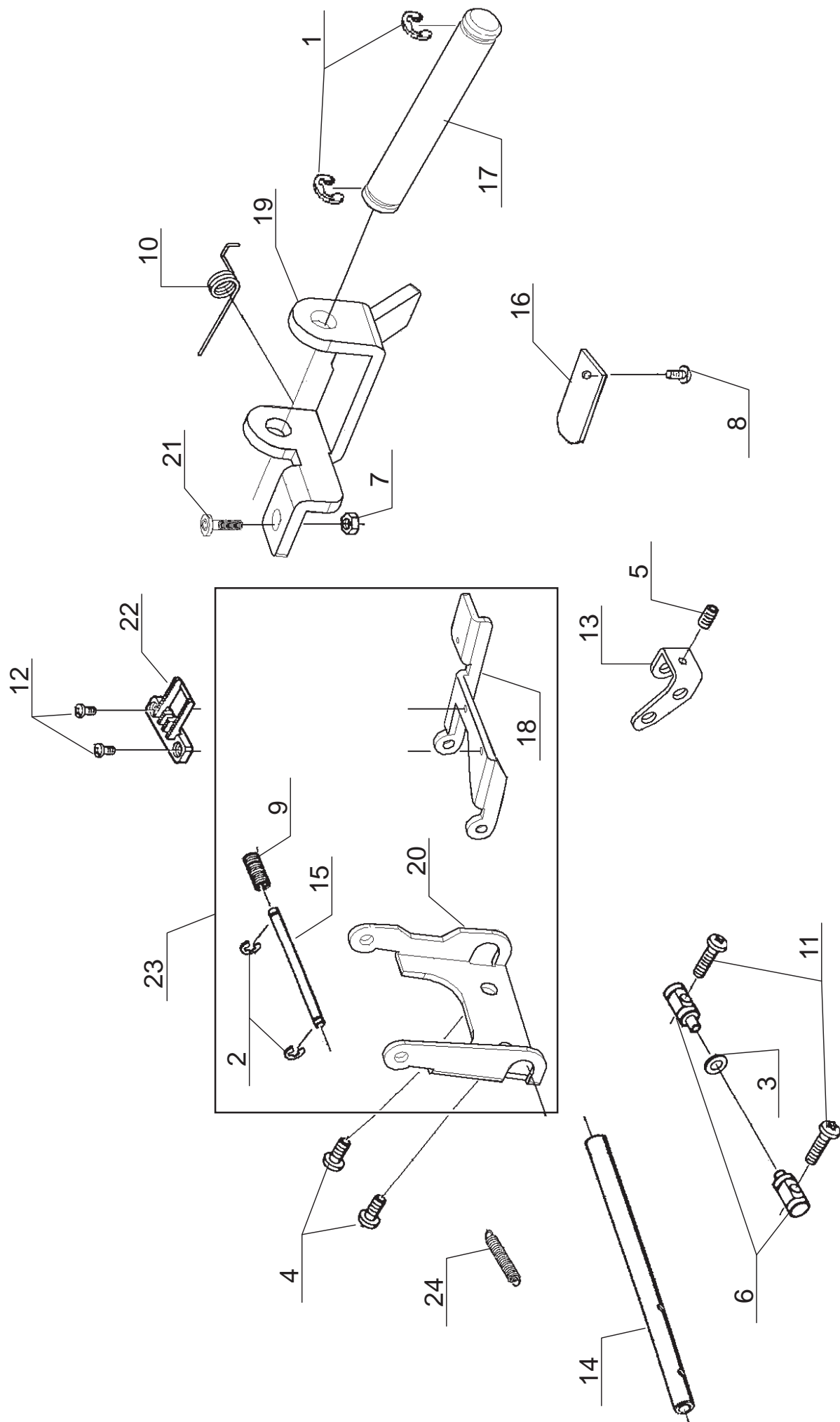
E



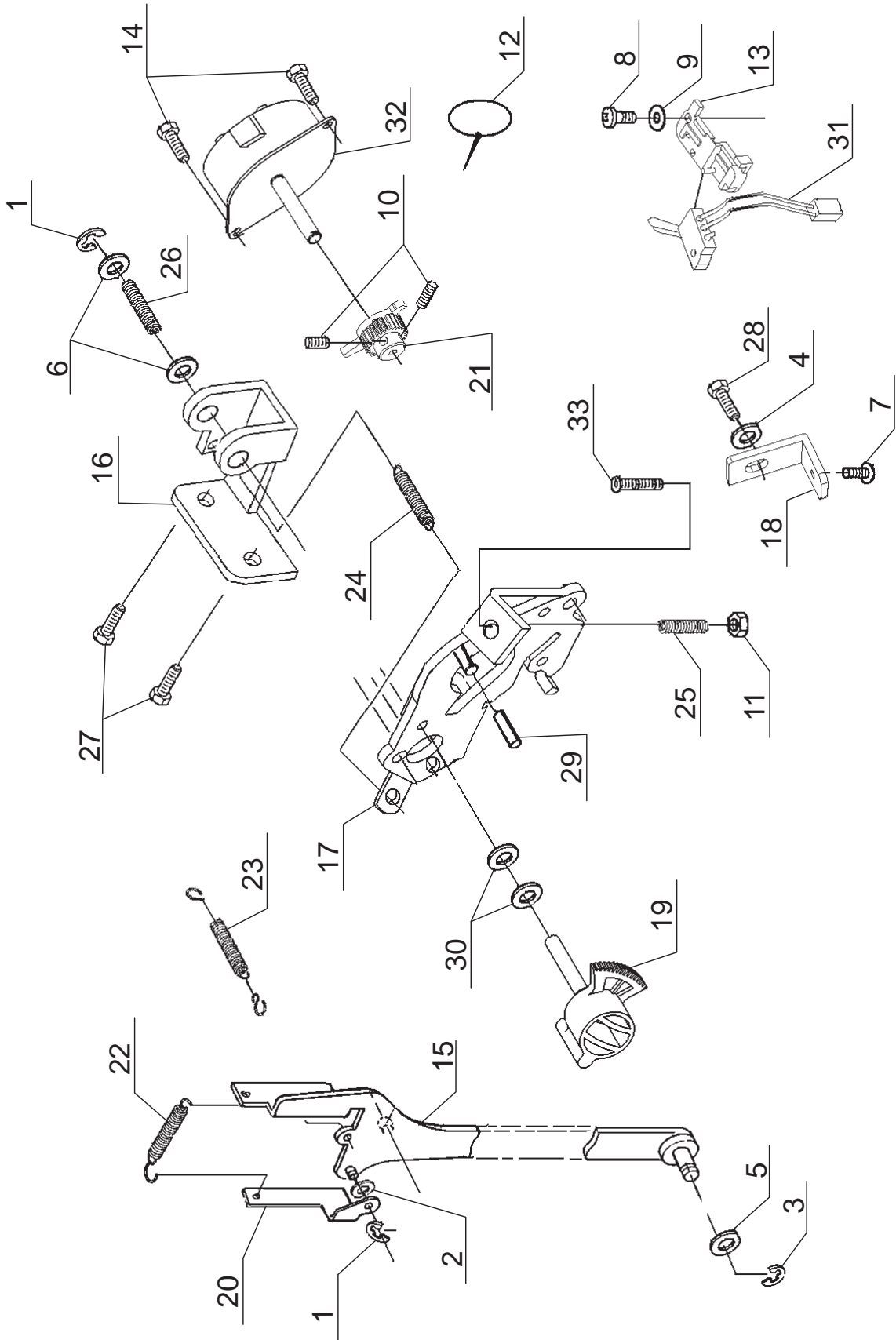
| Pos | Part Number | Description |
|-----|-------------|-------------------------|
| 1 | 416462701 | THREAD GUIDE PLATE UNIT |
| 2 | 270 062215 | M4 NUT |
| 3 | 270 063796 | M3 SCREW |
| 4 | 270 072266 | M4 STUD SCREW |
| 5 | 270 072858 | WASHER |
| 6 | 270 077042 | M4 PHILLIPS SCREW |
| 7 | 416462801 | TENSION RELEASE LEVER |
| 8 | 270 087212 | M4 SCREW |
| 9 | 270 087297 | PRESSURE BAR LIFTER |



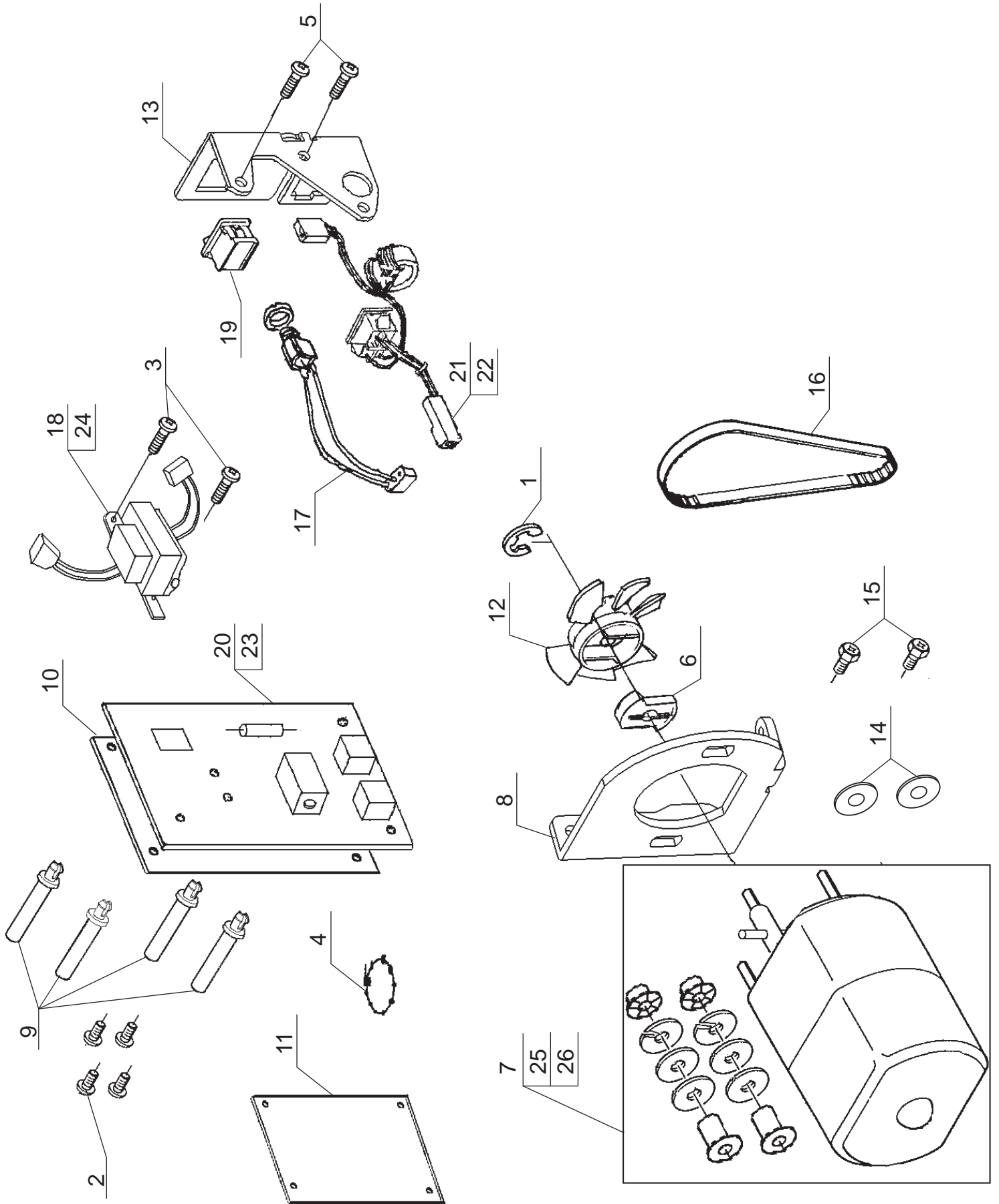
| Pos | Part Number | Description |
|-----|-------------|-----------------------|
| 1 | 270 084008 | E5 CLIP-ON-WASHER |
| 2 | 270 010963 | E6 CLIP-ON-WASHER |
| 3 | 270 047910 | BOBBIN CASE |
| 4 | 270 061588 | WASHER |
| 5 | 270 062307 | M4 SCREW |
| 6 | 270 064637 | THRUST WASHER |
| 7 | 270 066725 | M5 SCREW |
| 8 | 270 066725 | M4 SCREW |
| 9 | 270 066727 | M4 SCREW |
| 10 | 270 067411 | SPIRAL GEAR |
| 11 | 270 06741 | COLLAR |
| 12 | 270 067444 | COLLAR |
| 13 | 270 067447 | M5 SCREW |
| 14 | 270 073434 | M4 PHILIPS SCREW |
| 15 | 270 073973 | M4 BOLT |
| 16 | 270 074097 | SHUTTLE HOOK |
| 17 | 416534101 | BOBBIN |
| 18 | 416539701 | FEED-DOG LIFTING CAM |
| 19 | 270 075204 | BEVEL GEAR |
| 20 | 416534201 | SHUTTLE RACE ASSEMBLY |
| 21 | 416464601 | SHUTTLE DRIVER |
| 22 | 270 076141 | BALL METAL |
| 23 | 416534301 | COLLAR |
| 24 | 416539801 | COLLAR |
| 25 | 416534401 | LOWER SHAFT |
| 26 | 416534501 | LOWER SHAFT ROCKER |
| 27 | 416534601 | SECURING PLATE A |
| 28 | 416464701 | SHUTTLE RACE ASSEMBLY |
| 29 | 416534701 | LOWER SHAFT PIN |
| 30 | 416534801 | SECURING PLATE A |



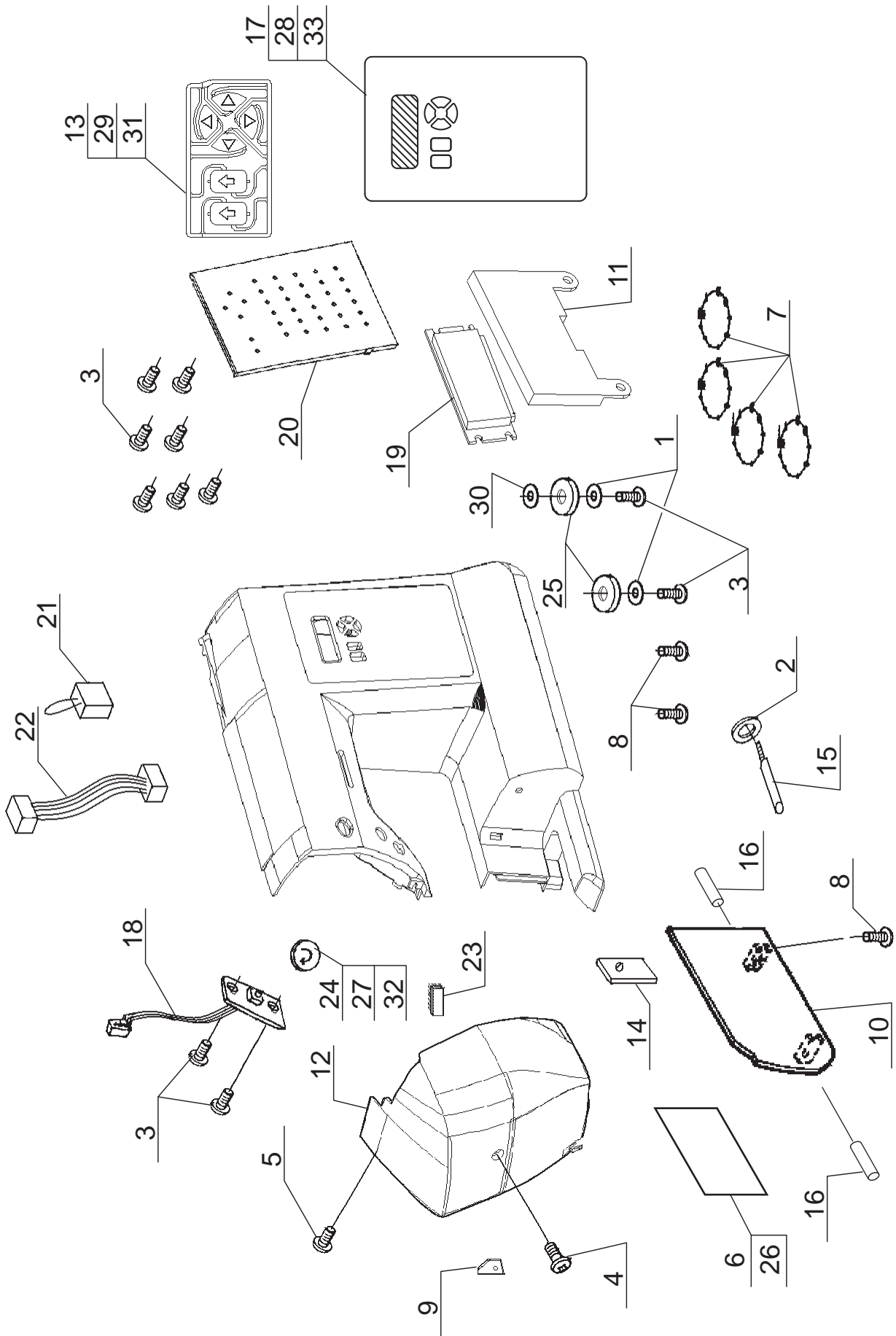
| Pos | Part Number | Description |
|-----|-------------|------------------------------|
| 1 | 270 001513 | E4 CLIP-ON-WASHER |
| 2 | 270 001520 | E3 CLIP-ON-WASHER |
| 3 | 270 002744 | WASHER |
| 4 | 270 061224 | M4 PHILIPS SCREW |
| 5 | 270 061343 | M4 SCREW |
| 6 | 416535001 | CENTER PIN |
| 7 | 270 073299 | M4 TORQUE NUT |
| 8 | 270 073434 | M4 PHILIPS SCREW |
| 9 | 270 075186 | COMPRESSION SPRING |
| 10 | 270 075190 | TORSION SPRING |
| 11 | 270 077035 | M4 PHILIPS SCREW |
| 12 | 416535101 | M3 SCREW |
| 13 | 416535201 | FEED REGULATING ARM |
| 14 | 416535301 | FEED REGULATING SHAFT |
| 15 | 416535401 | SHAFT |
| 16 | 416535501 | SECURING PLATE |
| 17 | 416535601 | SHAFT |
| 18 | 416535701 | FEED BASE |
| 19 | 416535801 | FEED-DOG LIFTING ARM BRACKET |
| 20 | 416535901 | FEED REGULATING BRACKET |
| 21 | 416532001 | M4 SCREW |
| 22 | 416536001 | FEED-DOG |
| 23 | 416464801 | FEED REGULATING BRACKET UNIT |
| 24 | 270 087183 | SPRING |



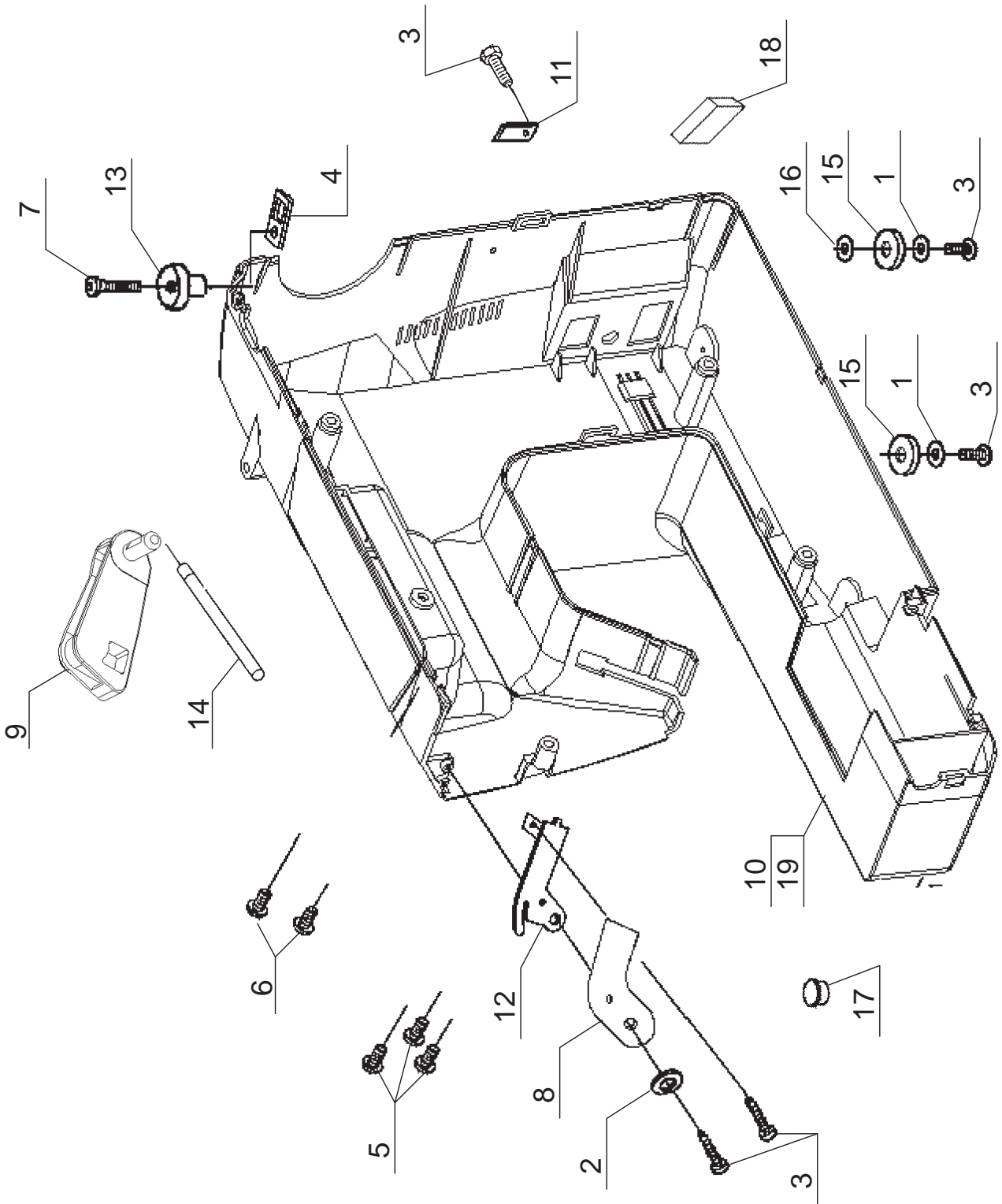
| Pos | Part Number | Description |
|-----|-------------|------------------------|
| 1 | 270 001513 | E4 CLIP-ON-WASHER |
| 2 | 270 001615 | WASHER |
| 3 | 270 084008 | E5 CLIP-ON-WASHER |
| 4 | 270 031246 | WASHER |
| 5 | 270 032316 | WASHER |
| 6 | 270 059221 | WASHER |
| 7 | 270 061222 | M4 PHILIPS SCREW |
| 8 | 270 063796 | M3 SCREW |
| 9 | 270 063805 | WASHER |
| 10 | 270 064653 | M3 SCREW |
| 11 | 270 073299 | M4 TORQUE NUT |
| 12 | 270 077041 | UNITY FASTENER |
| 13 | 270 077527 | SENSOR COVER |
| 14 | 270 080110 | BOLT |
| 15 | 416536101 | FEED REGULATING ROD |
| 16 | 416536201 | BRACKET |
| 17 | 416536301 | STEPPING MOTOR BRACKET |
| 18 | 416536401 | BRACKET |
| 19 | 416462901 | FEED REGULATOR |
| 20 | 416536501 | PLATE |
| 21 | 416463001 | PINION GEAR |
| 22 | 270 085055 | EXTENSION SPRING |
| 23 | 270 085066 | EXTENSION SPRING |
| 24 | 270 087188 | SPRING |
| 25 | 270 087189 | COMPRESSION SPRING |
| 26 | 270 087191 | COMPRESSION SPRING |
| 27 | 270 087261 | CP BOLT |
| 28 | 270 087262 | M3 CP SCREW |
| 29 | 270 087273 | PIN |
| 30 | 270 087274 | WASHER |
| 31 | 416463101 | SWITCH HARNESS |
| 32 | 270 087600 | STEPPING MOTOR |
| 33 | 270 087668 | M4 BOLT |



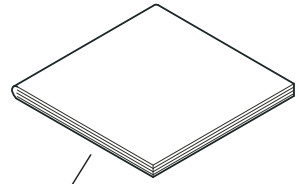
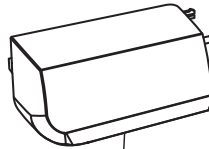
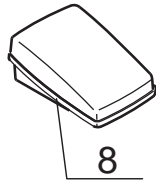
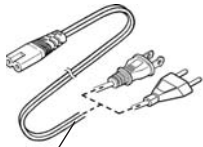
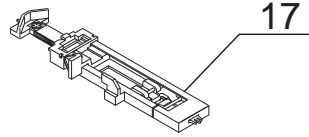
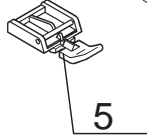
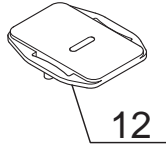
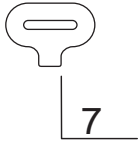
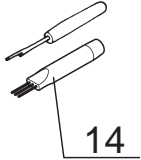
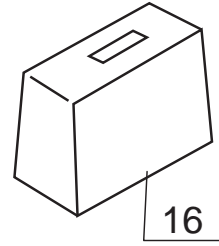
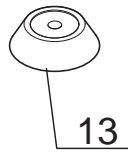
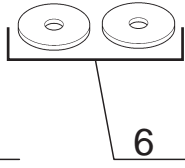
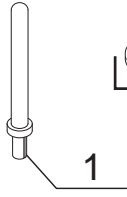
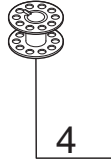
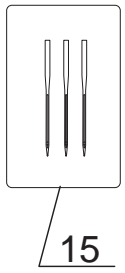
| Pos | Part Number | Description |
|-----|-------------|-------------------------|
| 1 | 270 001520 | E3 CLIP-ON-WASHER |
| 2 | 270 039213 | M3 SCREW |
| 3 | 270 061222 | M4 PHILIPS SCREW |
| 4 | 270 077041 | UNITY FASTENER |
| 5 | 270 077042 | M4 PHILLIPS SCREW |
| 6 | 270 077614 | GEAR CLUTCH |
| 7 | 416474101 | MAIN MOTOR (230V) |
| 8 | 416536601 | MOTOR BRACKET |
| 9 | 416536701 | SPACER |
| 10 | 416536801 | INSULATING SHEET |
| 11 | 416536901 | INSULATING SHEET |
| 12 | 270 087237 | MOTOR FAN |
| 13 | 270 087249 | SWITCH BRACKET |
| 14 | 270 087257 | WASHER(230V ONLY) |
| 15 | 270 087261 | CP BOLT |
| 16 | 270 087263 | DRIVING BELT |
| 17 | 270 087513 | PIN-JACK HARNESS |
| 18 | 270 087519 | TRANSFORMER (230V) |
| 19 | 270 087541 | SWITCH |
| 20 | 270 087553 | CIRCUIT BOARD (230V) |
| 21 | 270 08757 | INLET HARNESS (230V) |
| 22 | 270 087536 | INLET HARNESS (120V) |
| 23 | 270 087530 | CIRCUIT BOARD (120V) |
| 24 | 270 087514 | TRANSFORMER (120V) |
| 25 | 270 087510 | MAIN MOTOR (120V) |
| 26 | 416539901 | MAIN MOTOR(110V□Brazil) |



| Pos | Part Number | Description |
|-----|-------------|----------------------------|
| 1 | 270 001424 | WASHER |
| 2 | 270 004844 | WASHER |
| 3 | 270 039213 | M3 SCREW |
| 4 | 270 061222 | M4 PHILIPS SCREW |
| 5 | 270 065736 | M4 PHILIPS SCREW |
| 6 | 416537001 | STICKER |
| 7 | 270 077041 | UNITY FASTENER |
| 8 | 270 077042 | M4 PHILLIPS SCREW |
| 9 | 270 077396 | BLADE |
| 10 | 416463201 | SHUTTLE RACE COVER |
| 11 | 416463301 | LCD BOX |
| 12 | 416463401 | FACE COVER |
| 13 | 416464001 | BUTTON |
| 14 | 416537101 | SPRING PLATE |
| 15 | 416463601 | THREAD GUIDE PIN |
| 16 | 416463701 | PIN |
| 17 | 416492501 | PATTERN PANEL |
| 18 | 416463801 | SWITCH HARNESS |
| 19 | 416463901 | LCD |
| 20 | ※416560001 | CPU / SWITCH CIRCUIT BOARD |
| 21 | 270 086945 | JUMPER HARNESS |
| 22 | 416537801 | 5P CORD HARNESS |
| 23 | 270 087272 | BRUSH |
| 24 | 416464101 | BUTTON |
| 25 | 416540101 | RUBBER FOOT |
| 26 | 416540201 | STICKER(BRAZIL ONLY) |
| 27 | 416537201 | BUTTON(USA ONLY) |
| 28 | 416560101 | PATTERN PANEL(USA ONLY) |
| 29 | 416537301 | BUTTON(USA ONLY) |
| 30 | 270 032316 | WASHER |
| 31 | 416560201 | BUTTON(5400 ONLY) |
| 32 | 416560301 | BUTTON(5400 ONLY) |
| 33 | 416560401 | PATTERN PANEL(5400 ONLY) |



| <u>Pos</u> | <u>Part Number</u> | <u>Description</u> |
|------------|--------------------|----------------------|
| 1 | 270 001424 | WASHER |
| 2 | 270 004844 | WASHER |
| 3 | 270 039213 | M3 SCREW |
| 4 | 270 039816 | M4 SQUARE NUT |
| 5 | 270 061224 | M4 PHILIPS SCREW |
| 6 | 270 064484 | TAPPING SCREW |
| 7 | 270 077035 | M4 PHILIPS SCREW |
| 8 | 270 077528 | SPRING PLATE |
| 9 | 416538001 | SPOOL PIN BASE |
| 10 | 416464301 | BACK COVER |
| 11 | 416464301 | SPRING PLATE |
| 12 | 416464401 | TENSION PLATE |
| 13 | 270 087251 | BOBBIN WINDER CAM |
| 14 | 416492601 | SPOOL PIN |
| 15 | 416540101 | RUBBER FOOT |
| 16 | 270 032316 | WASHER |
| 17 | 270 083116 | CAP |
| 18 | 416538201 | SPACER |
| 19 | 416540301 | BACK COVER(UAE ONLY) |



| | |
|----|----|
| 2 | 20 |
| 3 | 21 |
| 18 | 22 |
| 19 | 23 |

| |
|----|
| 11 |
| 18 |
| 29 |

| |
|----|
| 9 |
| 10 |
| 24 |
| 25 |
| 26 |
| 27 |
| 28 |
| 30 |

| Pos | Part Number | Description |
|-----|---------------|---------------------------------------|
| 1 | 270 064083 | SPOOL PIN |
| 2 | 416464901 | POWER CORD (120V) |
| 3 | 416465001 | POWER CORD (230V) |
| 4 | 416534101 | BOBBIN |
| 5 | 416437001 | ZIPPER FOOT |
| 6 | 270 077040 | SPOOL PIN DISC |
| 7 | 270 079455 | LARGE SCREW DRIVER |
| 8 | 416436101 | FOOT CONTROL |
| 9 | 416541701 | INSTURCTION BOOK (Ita/Deu) |
| 10 | 416465226 | INSTURCTION BOOK (Eng/Fre/Spa) |
| 11 | 416474401 | ACC.BOX |
| 12 | 416465401 | DARNING PLATE |
| 13 | 416465501 | SPOOL PIN CAP |
| 14 | 416436401 | BUTTONHOLE OPENER / BRUSH |
| 15 | 260 353364000 | NEEDLE SET |
| 16 | 416538801 | VINYL COVER |
| 17 | 416465601 | BUTTONHOLE FOOT |
| 18 | 416531001 | ACC.BOX(USA ONLY) |
| 19 | 416540901 | POWER CORD (UK) |
| 20 | 416540701 | POWER CORD (Shanghai) |
| 21 | 416540601 | POWER CORD (Brazil) |
| 22 | 416540801 | POWER CORD (Australia) |
| 23 | 416541001 | POWER CORD (Argentina)+85689 |
| 24 | 416541201 | INSTURCTION BOOK (Eng/Chi/Indonesian) |
| 25 | 416541101 | INSTURCTION BOOK (Bra/Por) |
| 26 | 416541601 | INSTURCTION BOOK (Eng/Russ/Tur) |
| 27 | 416541401 | INSTURCTION BOOK (Mexico) |
| 28 | 416541301 | INSTURCTION BOOK (Dan/Swe/Nor/Fin) |
| 29 | 416541801 | ACC.BOX(5400 ONLY) |
| 30 | 416556551 | INSTURCTION BOOK (Gre/Ita/Spa) 6160 |