

**SINGER**  
9444

# LIST OF PARTS

## *Sewing Machine Models*

*must*

9444

by **SINGER**\*



A Publication of Product Support  
International Group Engineering

Part No. 317161-029

Printed in Taiwan

\* A trademark of The Singer Company  
Copyright 1992, Singer Sewing Machine Company

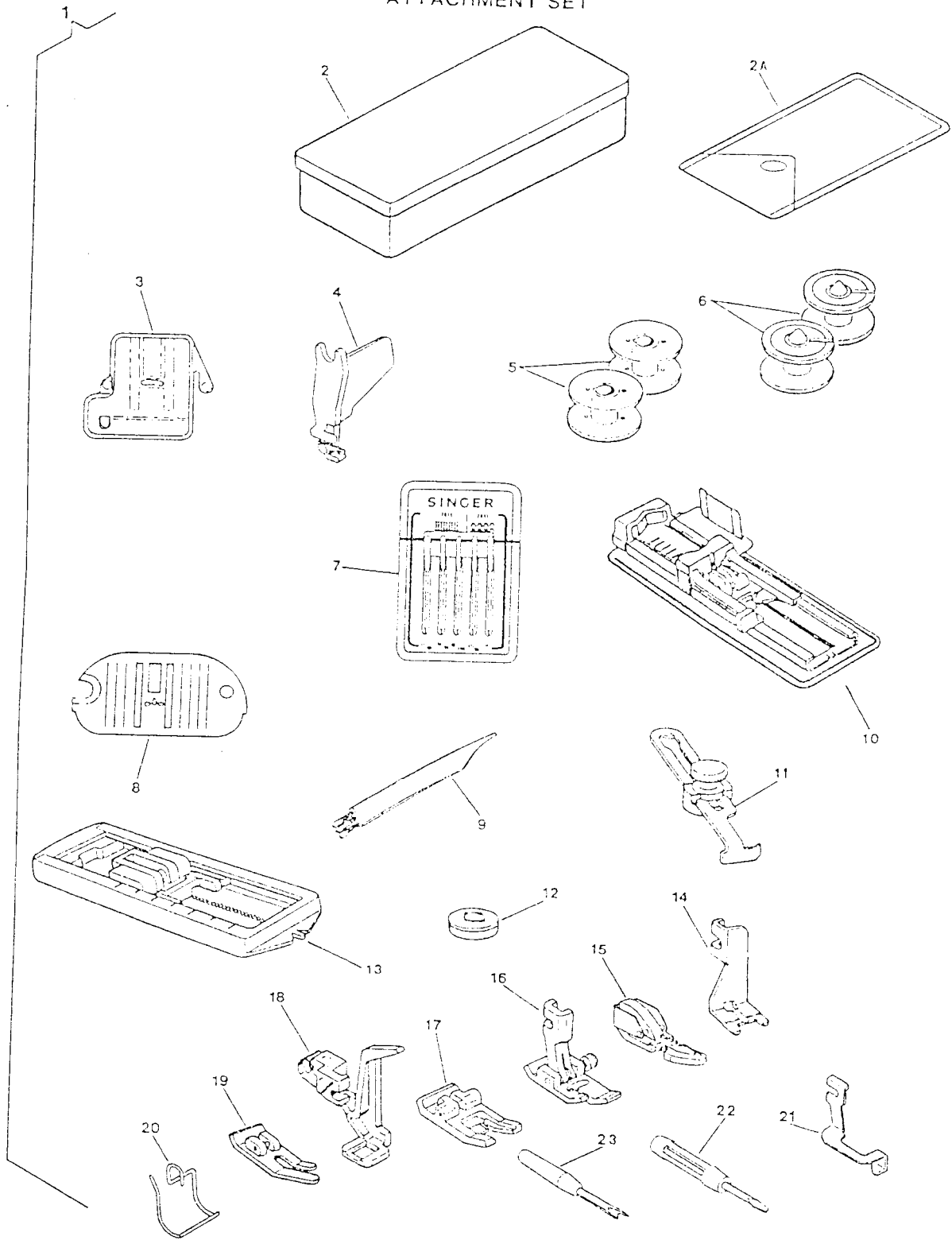
All rights reserved throughout the world

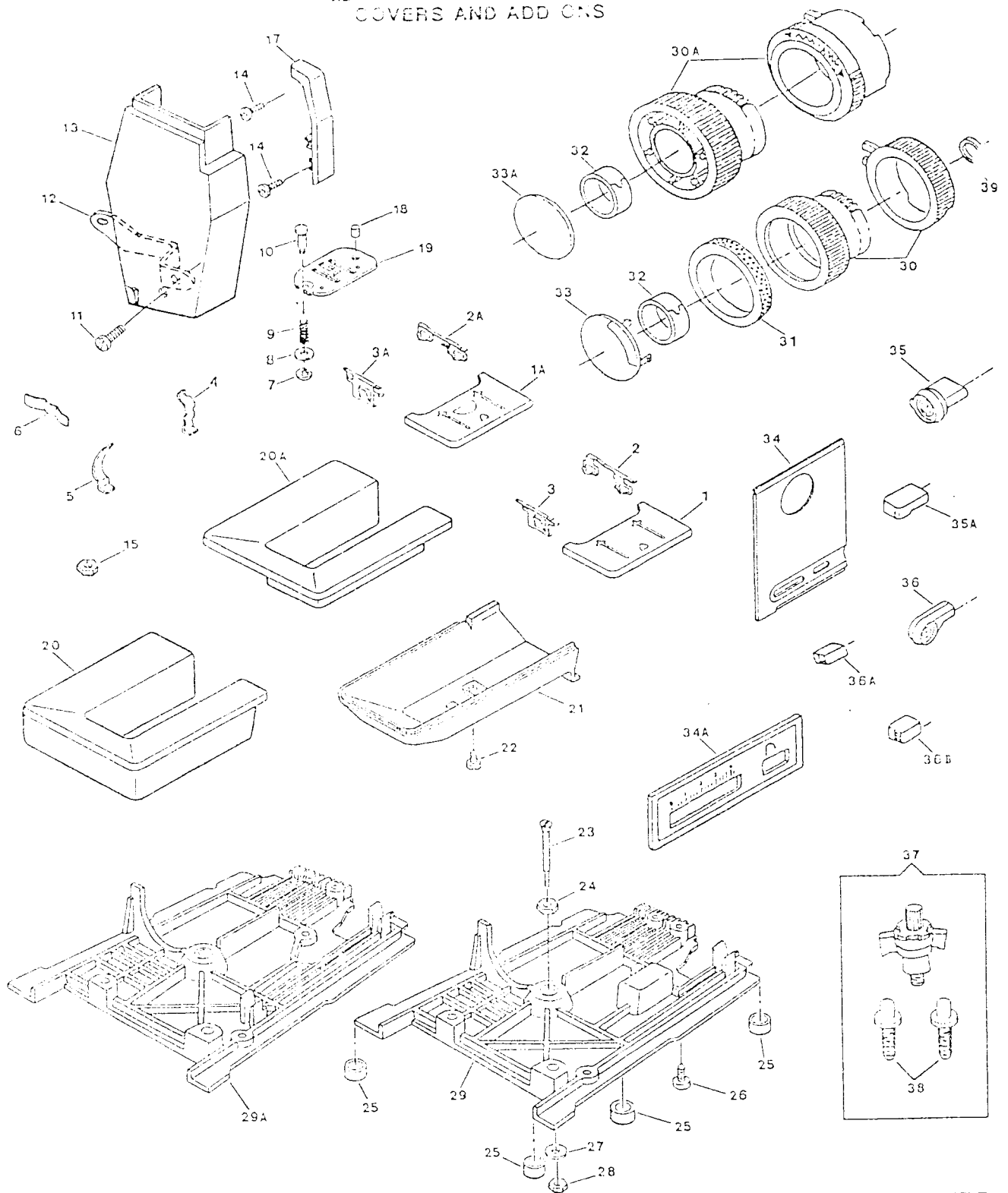
## INDEX

PAGE NO.	SUBASSEMBLY
1, 2	ATTACHMENT SET
3, 4	COVERS AND ADD ONS
5, 8	ARM TOP COVER
9, 10	ARM SHAFT DRIVE SYSTEM
11, 12	HAND WHEEL
13, 14	COAXIAL PRESSER BAR SYSTEM
15, 16	NEEDLE BAR & THREAD TAKE-UP
17, 18	ALPHA FEED
19, 20	HOOK SYSTEM (APOLLO)
21, 22	HOOK AND BOBBIN WINDING SYSTEM (CENTAUR)
23, 28	PATTERN, STITCH LENGTH CONTROL & CAM CONTROLLED FEED
29, 30	DEMAND RESPONSIVE NEEDLE TENSION SYSTEM
31, 36	ELECTRICAL EQUIPMENT

ATTACHMENT SET  
MODEL: 9444

REF. PART NO.	PART NO.	DESCRIPTION	9N	9N	91
			42	42	40
			40	45	40
			43	43	43
1	313031	ATTACHMENT COMPLETE (IN ARM TOP COVER STORAGE)	X	X	X
2	402673-455	ACCESSORY BOX COMPLETE (ALT:402673-454)	X	X	X
3	313117	FEED COVER PLATE	X	X	X
5	172336-001	BOBBIN (APOLLO)	X	X	X
7	353360	NEEDLE PACK (ALT:384064)	X	X	X
9	546358	LINT BRUSH	X	X	X
11	161172	SEAM AND BLINDSTITCH HEM GUIDE COMPLETE	X	X	X
13	313992-451	PRESSER FOOT PLATE (4-STEPS) FOR SEWING BUTTONHOLES	X	X	X
15	171480	PRESSER FOOT PLATE (SNAP-ON) FOR CORDING AND SLIDE FASTENERS COMPLETE	X	X	X
17	171463	SPECIAL PURPOSE PRESSER FOOT PLATE (SNAP-ON)	X	X	X
18	384027	DARNING AND EMBROIDERY FOOT COMPLETE (PLASTIC)	X	X	X
21	171110	BLINDSTITCH GUIDE	X	X	X





COVERS AND ADD ONS  
MODEL: 9444

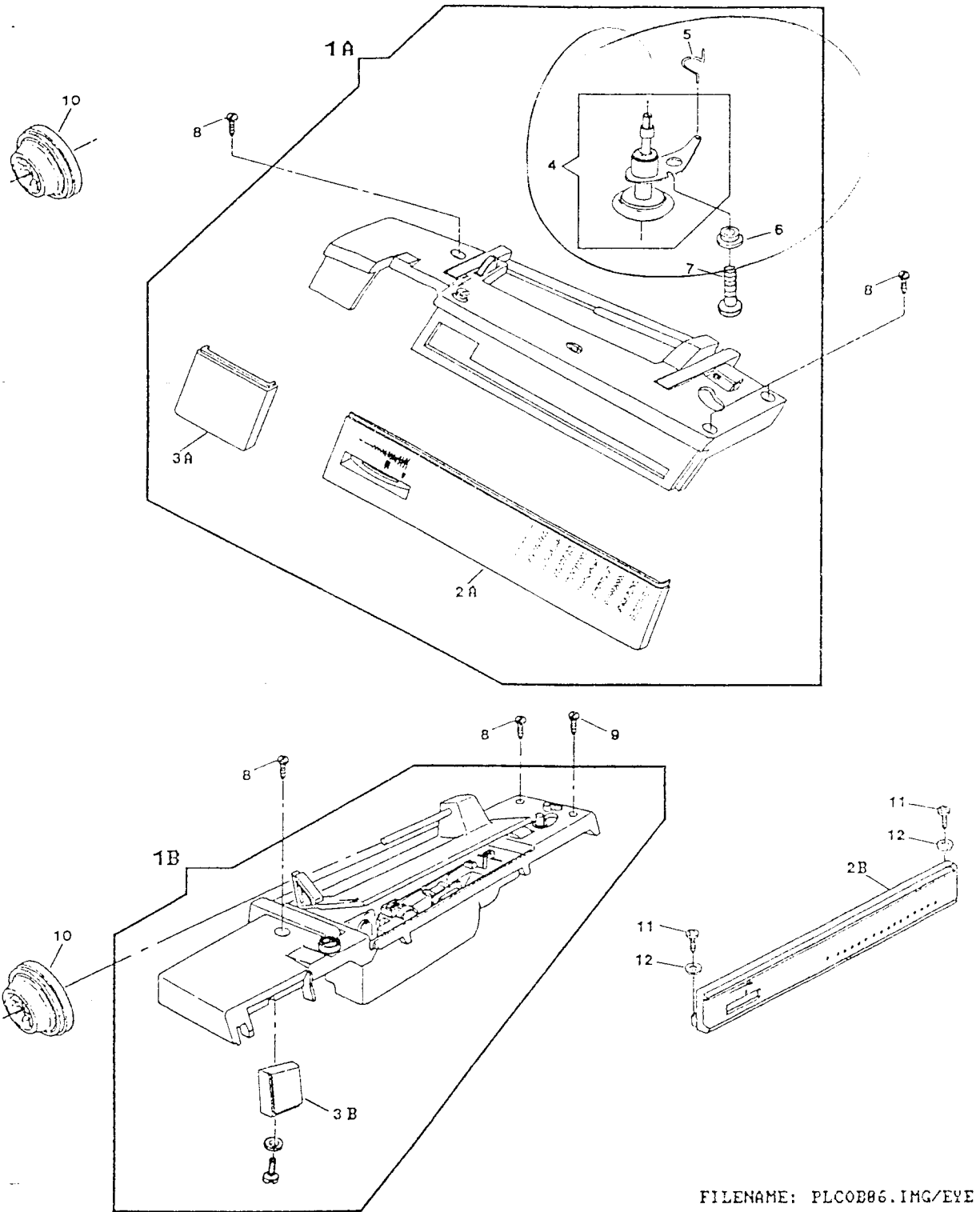
REF. PART NO. NO.	DESCRIPTION	9N	9N	9N
		42	42	46
		40	45	40
		43	43	43
1	314666			
2	314669			
3	314670			
4	313178			
5	313179			
6	313118			
7	313098			
8	549426-451			
9	312805			
10	312804			
11	113521-451			
12	314263			
13	314259-004			
13	314259-008			
14	113470-003			
15	313049			
17	314718-455			
17	314718-459			
18	353624			
19	312777			
20	317361-451			
20	317361-452			
21	312773-452			
21	312773-454			
22	254633-452			
23	313052-451			
24	313173-451			
25	313909-451			
26	113455-002			
27	314712-451			
28	313177-452			
29A	314774-001			
30A	314239-460			
32	313525			
33A	314744-468			
34A	312883-006			
35A	312657-461			
36A	314676-461			
36B	312664-461			
37	313180			
38	148869			



ARM TOP COVER  
MODEL: 9444

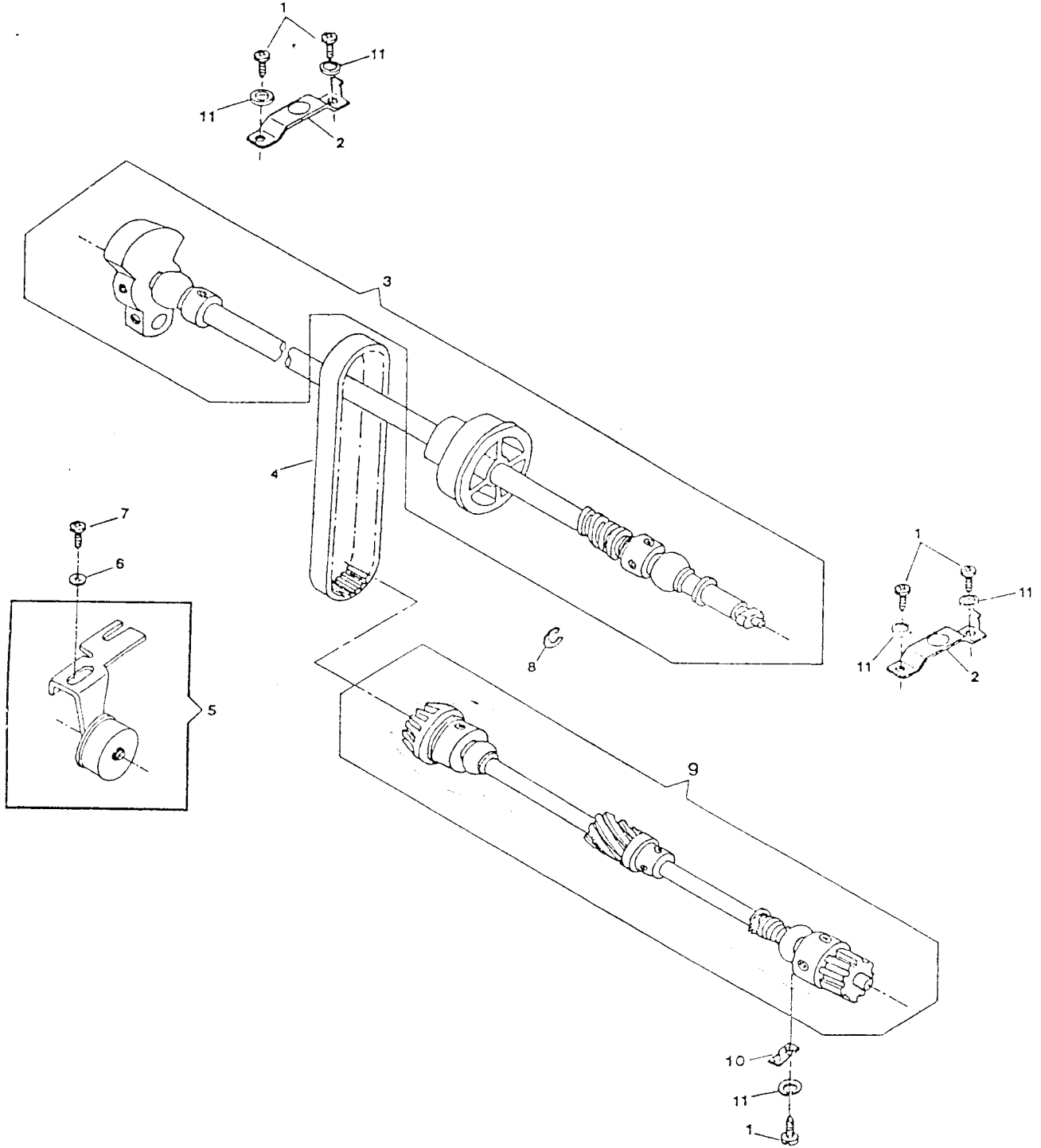
REF. PART NO.	NO.	DESCRIPTION	9N	9N	9N
			42	42	46
			40	45	40
			43	43	43
1A	317122-027	ARM TOP COVER ASSEMBLY WITH HANDLE	X		
1A	<del>317122-080</del>	<del>ARM TOP COVER ASSEMBLY WITH HANDLE</del>		X	
1A	317122-088	ARM TOP COVER ASSEMBLY WITH HANDLE			X
2A	314640-914	CONTROL PANEL WITH GRAPHICS	X		
2A	314640-955	CONTROL PANEL WITH GRAPHICS		X	X
3A	314703-915	CONTROL PANEL EXTENSION WITH GRAPHICS	X	X	
3A	314703-964	CONTROL PANEL EXTENSION WITH GRAPHICS			X
4	314675	<del>BOBBIN WINDER ASSEMBLY</del>	X	X	X
5	312897	BOBBIN WINDER LEVER SPRING	X	X	X
6	312613	BOBBIN WINDER LEVER HINGE SCREW SHOULDER WASHER	X	X	X
8	354927-001	ARM TOP COVER MOUNTING SCREW	X	X	
10	179967-456	SPOOL PIN THREAD LEAD-OFF			X
10	179967-461	SPOOL PIN THREAD LEAD-OFF			

ARM TOP COVER

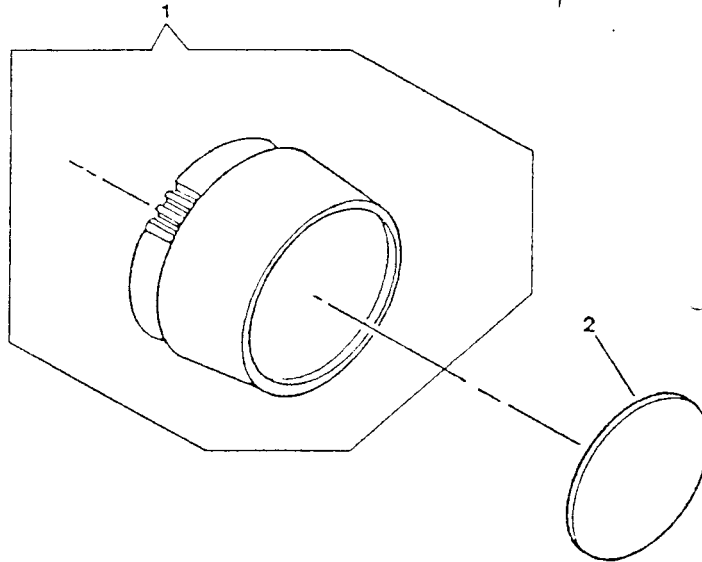


ARM SHAFT DRIVE SYSTEM  
MODEL: 9444

REF. PART NO.	PART NO.	DESCRIPTION	9N	9N	9N
			42	42	-
			40	45	40
			43	43	43
1	113455-001	ARM SHAFT (HORIZONTAL) BUSHING (LEFT & RIGHT) CLAMP SCREW	X	X	X
2	312796	ARM SHAFT (HORIZONTAL) BUSHING (LEFT & RIGHT) CLAMP ASSEMBLY	X	X	X
3	313111-002	ARM SHAFT ASSEMBLY (APOLLO)	X	X	X
4	603975-011	BELT (ROTATING HOOK DRIVE) ALT:603975-012	X	X	X
5	313195	IDLER BRACKET ASSEMBLY	X	X	X
6	314041-451	ROTATING HOOK DRIVING BELT TENSION ADJUSTER SCREW WASHER	X	X	X
7	113455-002	ROTATING HOOK DRIVING BELT TENSION ADJUSTER SCREW	X	X	X
8	313153	HAND WHEEL RETAINING RING	X	X	X
9	314010	ROTATING HOOK DRIVE SHAFT SUB-ASSEMBLY	X	X	X
10	313816	ROTATING HOOK DRIVE SHAFT BUSHING (SELF-ALIGNING) CLAMP	X	X	X
11	314013-451	ROTATING HOOK DRIVE SHAFT BUSHING (SELF-ALIGNING) CLAMP SCREW AND ARM SHAFT BUSHING CLAMP SCREW LOCK WASHER	X	X	X

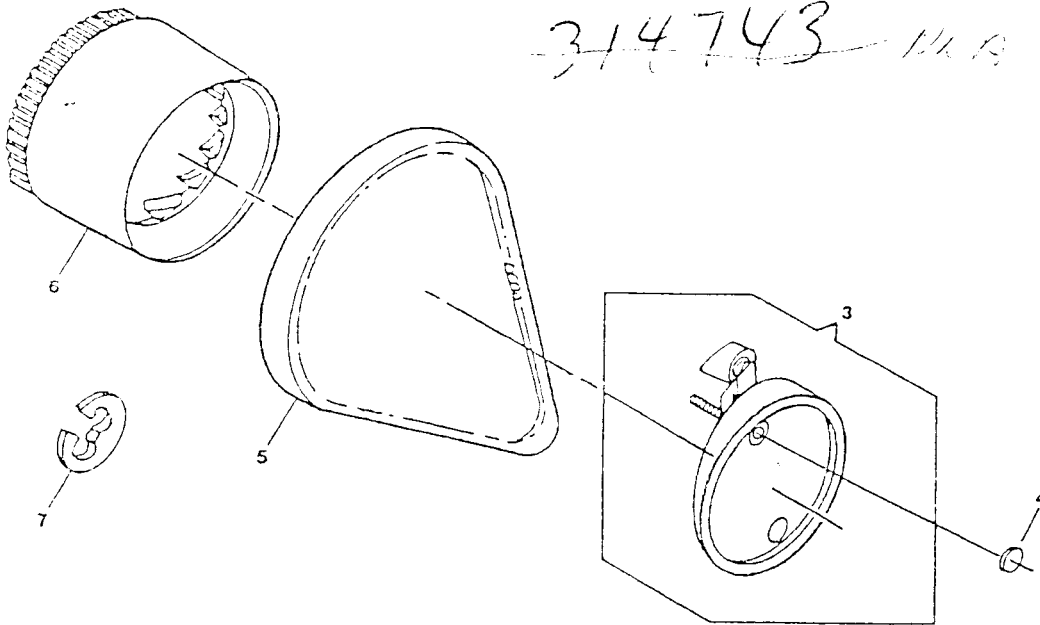


312856 704



317359 453

~~314743~~ 11/13



HAND WHEEL  
MODEL: 9444

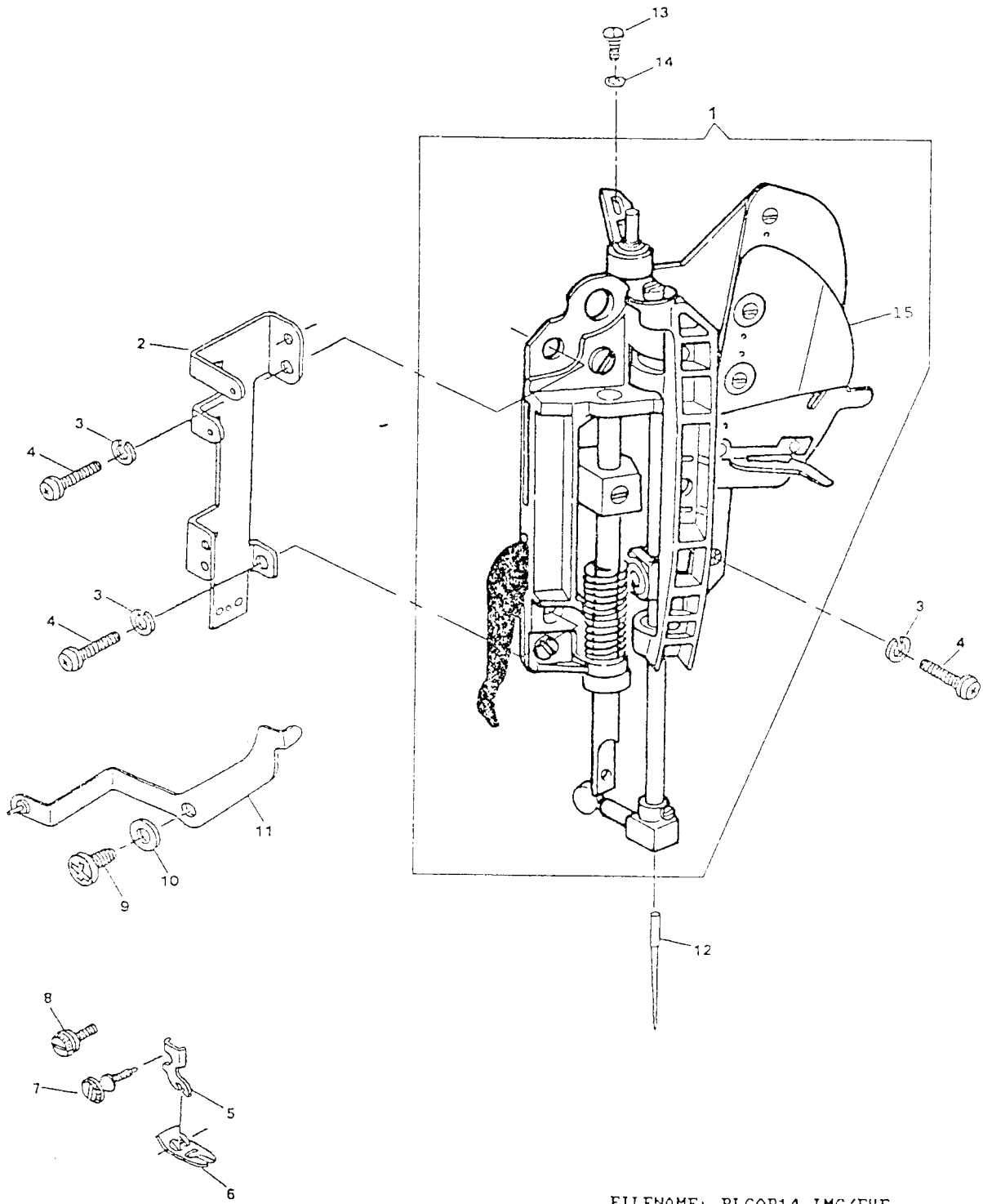
REF. PART NO.	PART NO.	DESCRIPTION	9N	9N	9N
			42	42	46
			40	45	40
			43	43	43
<del>3</del>	<del>313185-453</del>	<del>HAND WHEEL CLUTCH PLATE ASSEMBLY</del>	<del>X</del>	<del>X</del>	
3	313185-455	HAND WHEEL CLUTCH PLATE ASSEMBLY			X
4	314733-920	HAND WHEEL ACCESS PLATE (APOLLO)	X	X	
4	314733-960	HAND WHEEL ACCESS PLATE			X
5	312628-001	BELT (MOTOR DRIVE) ALT:979285-001	X	X	X
6	312625-453	HAND WHEEL	X	X	
6	312625-455	HAND WHEEL			X
7	313153	HAND WHEEL RETAINING RING	X	X	X

COAXIAL PRESSER BAR SYSTEM FOR NEW HEAD END  
MODEL: 9444

REF. PART NO.	PART NO.	DESCRIPTION	SN	SN	SN
			42	42	40
			40	45	40
			43	43	43
1	314895-002	HEAD END MODULE	X	X	X
2	314591	FACE PLATE MOUNTING BRACKET	X	X	X
3	313955-451	HEAD END MOUNTING PLATE LOCK WASHER	X	X	X
4	113455-012	HEAD END MOUNTING PLATE SCREW	X	X	X
5	163706-451	PRESSER FOOT SHANK (SNAP-ON)	X	X	X
6	313150	PRESSER FOOT PLATE (SNAP-ON) FOR ZIG-ZAG SEWING	X	X	X
7	113531-451	PRESSER FOOT THUMB SCREW	X	X	X
9	113455-001	NEEDLE THREAD TENSION RELEASE LEVER HINGE SCREW	X	X	X
10	314041-451	NEEDLE THREAD TENSION RELEASE LEVER RETAINING WASHER	X	X	X
11	314589	NEEDLE THREAD TENSION RELEASE LEVER ASSEMBLY	X	X	X
12	N2045	NEEDLE (SIZE NO.14)	X	X	X
13	113408-001	NEEDLE BAR DRIVING ARM BALL JOINT SCREW	X	X	X
14	931929-004	NEEDLE BAR DRIVING ARM BALL JOINT SCREW WASHER	X	X	X
15	314690	THREAD PINCH PLATE	X	X	X

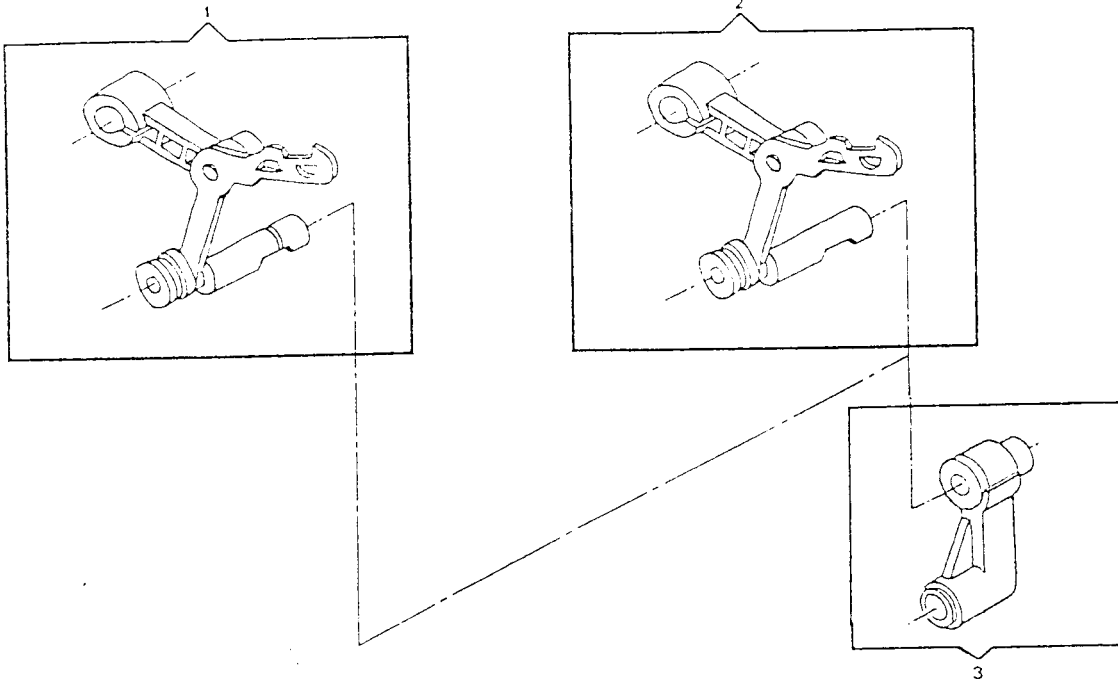
Presser Bar only # 314581

9444



FILENAME: PLCOB14.IMG/EYE



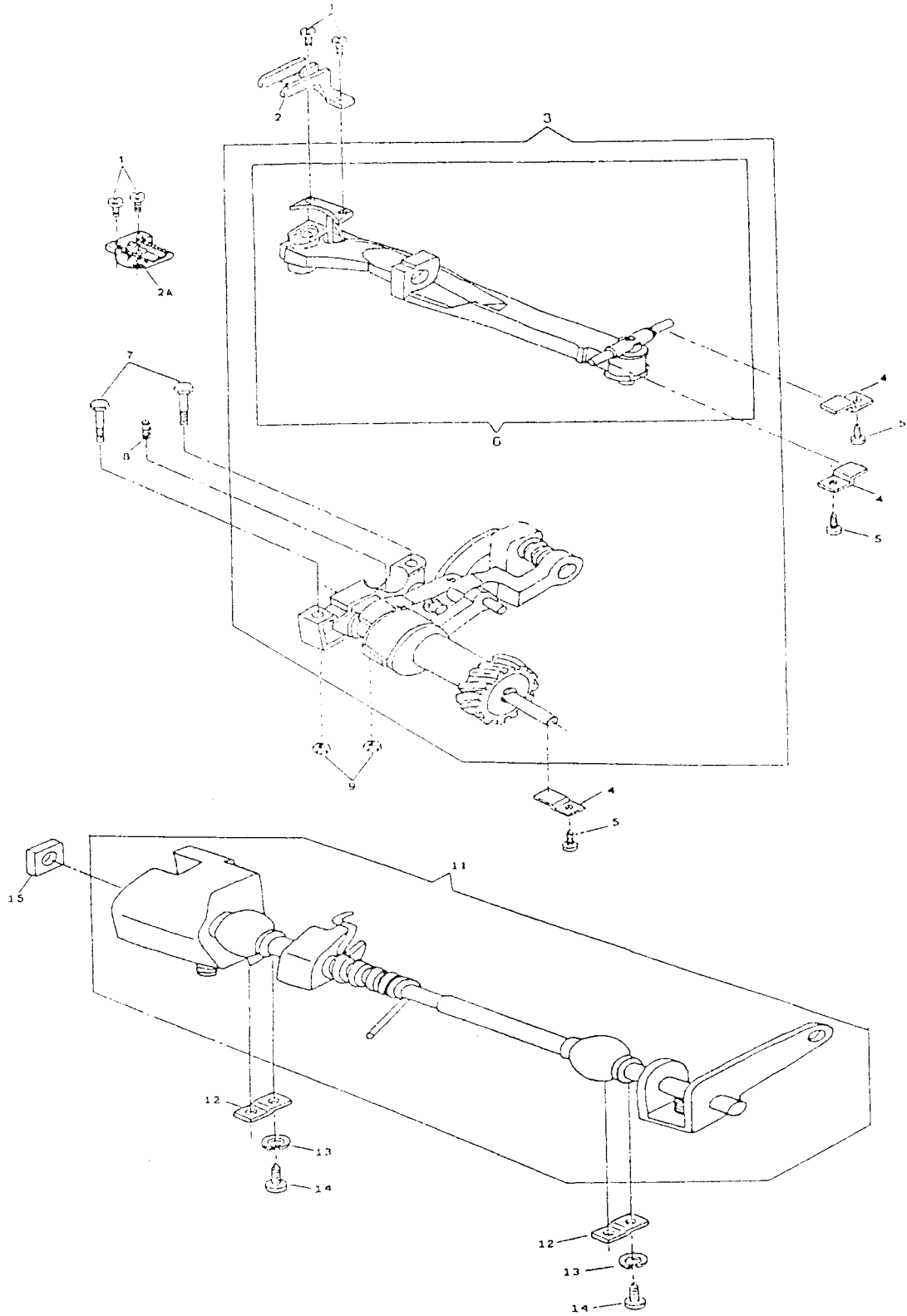


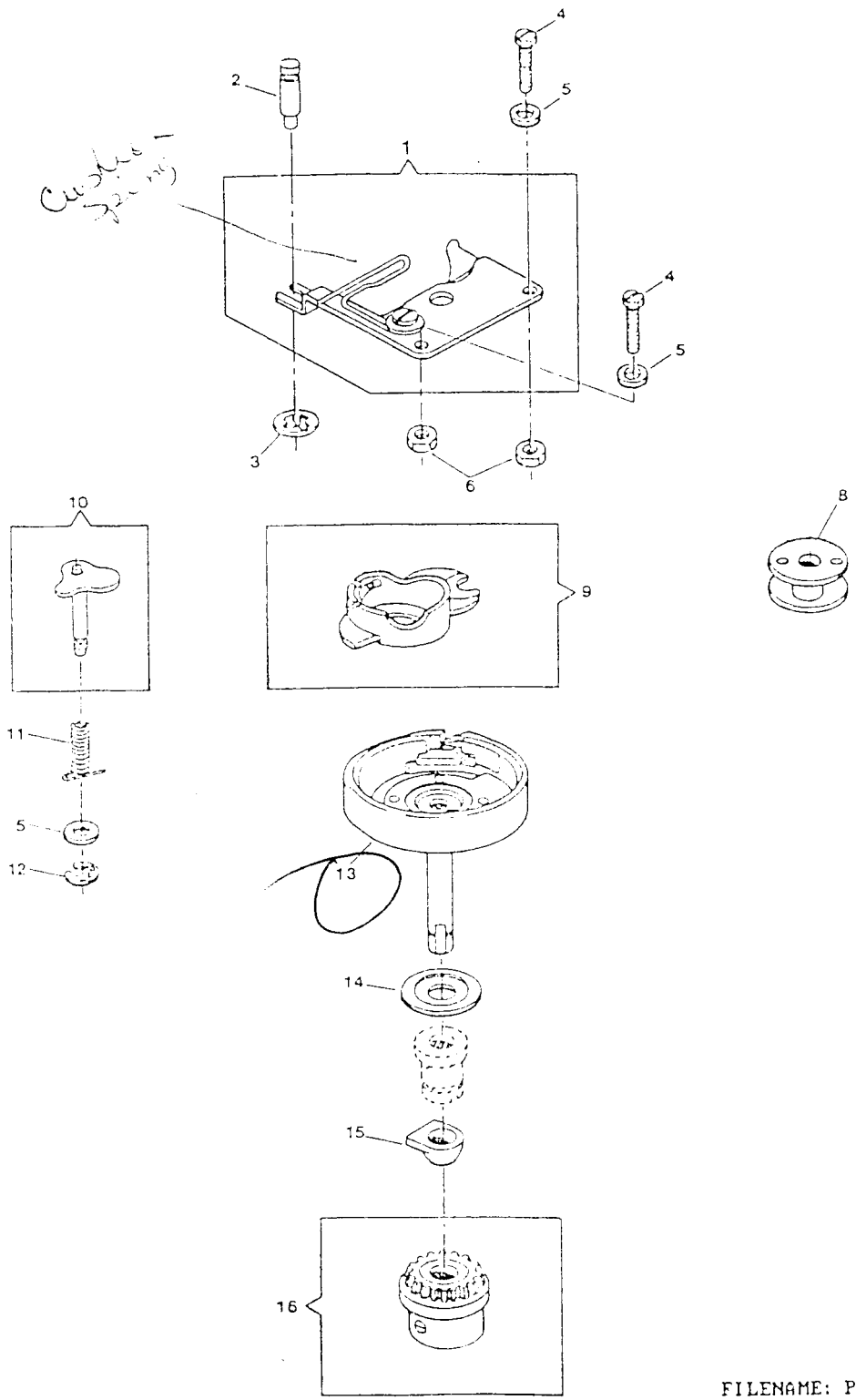
NEEDLE BAR & THREAD TAKE-UP FOR NEW HEAD END  
MODEL: 9444

REF. PART			9N	9N	9N
NO.	NO.	DESCRIPTION	42	42	46
			40	45	40
			43	43	43
1	314684	THREAD TAKE-UP COMPLETE (APOLLO)	X	X	X
3	137528-901	NEEDLE BAR CONNECTING LINK	X	X	X

ALPHA FEED  
MODEL: 9444

REF. PART NO.	PART NO.	DESCRIPTION	9N	9N	9N
			42	42	40
			40	45	40
			43	43	43
1	141920-452	FEED DOG SCREW	X	X	X
2A	312679	FEED DOG (APOLLO) ALT:313171	X	X	X
3	314140-002	ALPHA FEED MODULE ALT:313011	X	X	X
4	312851	FEED BAR PIVOT HINGE STUD CLAMP	X	X	X
5	113455-003	CLAMP SCREW	X	X	X
6	314141	FEED BAR ASSEMBLY	X	X	X
7	354921-451	FEED & ROTATING HOOK DRIVE SHAFT BEARING BLOCK SCREW	X	X	X
8	314070	ROTATING HOOK DRIVE SHAFT BUSHING SPRING	X	X	X
9	514674-451	FEED & ROTATING HOOK DRIVE SHAFT BEARING BLOCK MOUNTING SCREW NUT	X	X	X
11	313133	FEED REGULATOR SHAFT ASSEMBLY	X	X	X
12	313816	FEED REGULATOR SHAFT BUSHING (SELF-ALIGNING) CLAMP	X	X	X
13	314013-451	FEED REGULATOR SHAFT BUSHING (SELF-ALIGNING) CLAMP SCREW LOCK WASHER	X	X	X
14	113455-001	FEED REGULATOR SHAFT BUSHING (SELF-ALIGNING) CLAMP SCREW	X	X	X
15	511030	FEED REGULATOR SLIDE BLOCK	X	X	X



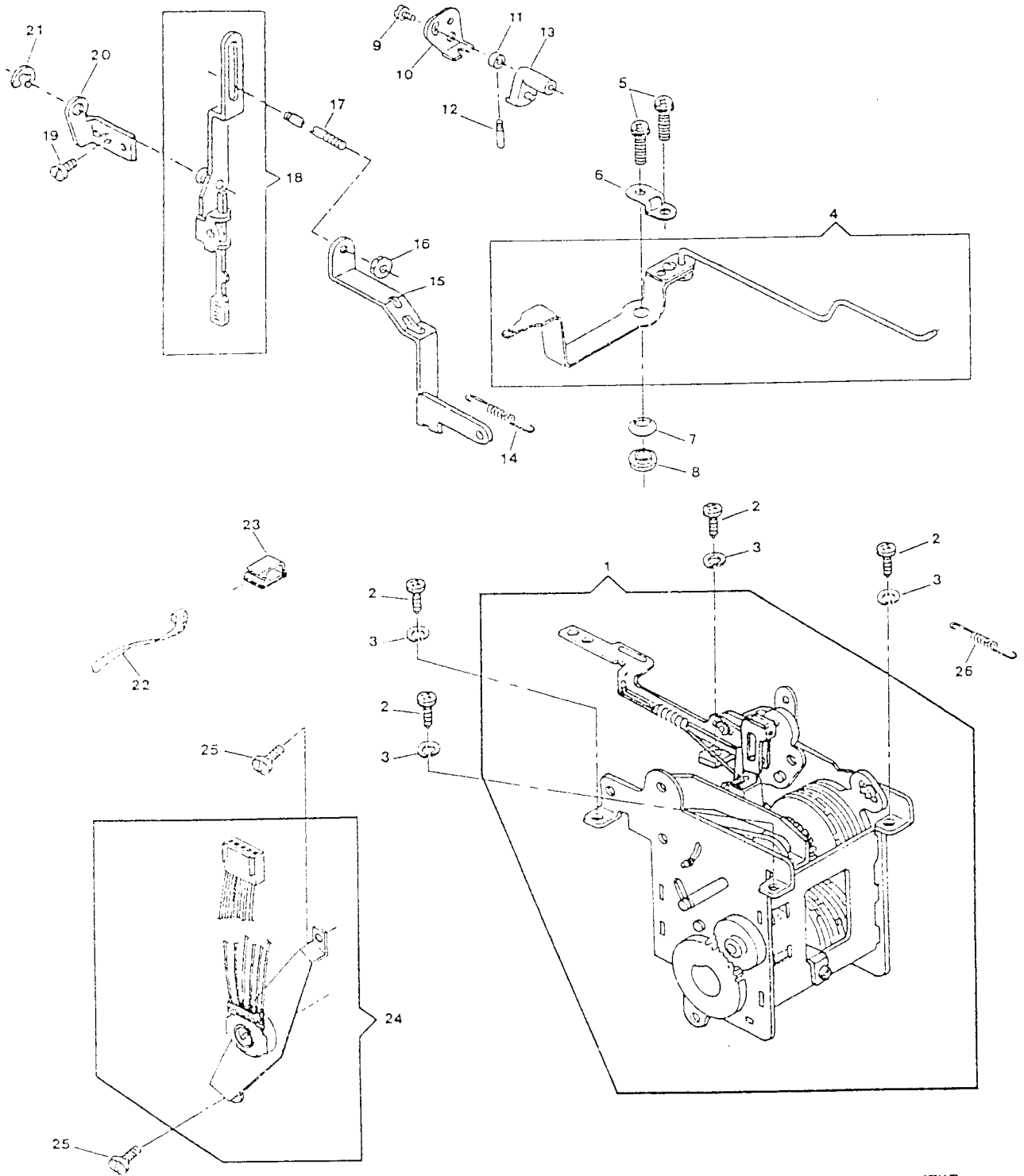


## HOOK SYSTEM (APOLLO)

MODEL: 9444

REF. PART NO. NO.	DESCRIPTION	9N	9N	9N
		42	42	46
		40	45	40
		43	43	43
1	313089 ROTATING HOOK BOBBIN CASE POSITION PLATE ASSEMBLY	X	X	X
2	312603 ROTATING HOOK BOBBIN CASE POSITION PLATE HOLD DOWN STUD	X	X	X
3	313161 ROTATING HOOK BOBBIN CASE POSITION PLATE HOLD DOWN STUD RETAINER	X	X	X
4	113439-451 ROTATING HOOK BOBBIN CASE POSITION PLATE SCREW	X	X	X
5	313190-451 ROTATING HOOK BOBBIN CASE POSITION PLATE SCREW WASHER	X	X	X
6	313945-451 ROTATING HOOK BOBBIN CASE POSITION PLATE SCREW NUT	X	X	X
8	172336 ROTATING HOOK BOBBIN (PLASTIC)	X	X	X
9	<del>421325 36X ROTATING HOOK BOBBIN CASE COMPLETE</del>	X	X	X
10	312846 ROTATING HOOK BOBBIN CASE RETAINING PLATE SUB-ASSEMBLY	X	X	X
11	312607 ROTATING HOOK BOBBIN CASE RETAINING PLATE STUD SPRING	X	X	X
12	313783 ROTATING HOOK BOBBIN CASE RETAINING PLATE STUD RETAINING RING	X	X	X
13	<del>447926-930 ROTATING HOOK COMPLETE</del>	X	X	X
14	314049 ROTATING HOOK FLANGED BUSHING THRUST WASHER	X	X	X
15	312847 ROTATING HOOK FLANGED BUSHING WASHER	X	X	X
16	314101-900 ROTATING HOOK BEVEL GEAR COMPLETE (ALT:314012)	X	X	X

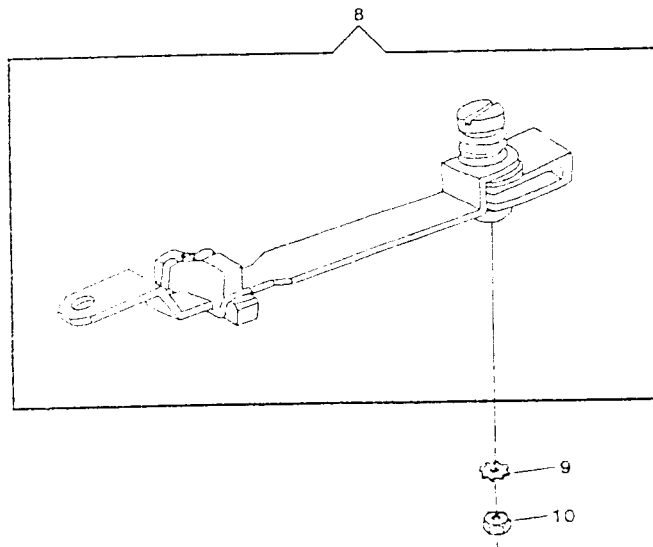
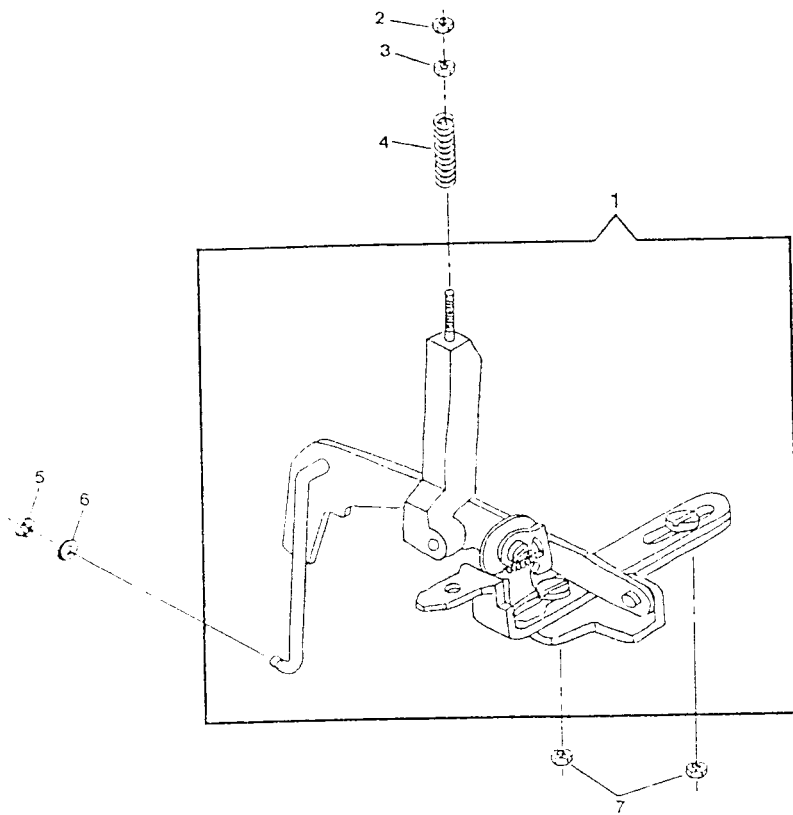
PATTERN STITCH LENGTH CONTROL AND CAM CONTROLLED FEED



HOOK AND BOBBIN WINDING SYSTEM (APOLLO)  
MODEL: 8444

REF. PART NO.	PART NO.	DESCRIPTION	9N	9N	9N
			42	42	46
			40	45	40
			43	43	43
1	314601-002	PATTERN SELECTOR MODULE	X	X	X
2	113455-001	DISC SELECTOR MECHANISM MOUNTING PLATE SCREW (LEFT AND RIGHT)	X	X	X
3	314013-451	DISC SELECTOR MECHANISM MOUNTING PLATE SCREW (LEFT AND RIGHT) LOCK	X	X	X
4	314607	BIGHT AMPLITUDE CONTROL LEVER ASSEMBLY	X	X	X
5	113455-014	BIGHT AMPLITUDE CONTROL LEVER STOP ADJUSTMENT SCREW	X	X	X
6	314683	BIGHT AMPLITUDE CONTROL LEVER RETAINER	X	X	X
7	353457	BIGHT AMPLITUDE CONTROL LEVER FRICTION WASHER	X	X	X
8	314611	BIGHT AMPLITUDE CONTROL LEVER SHOULDER WASHER	X	X	X
26	314497	NEEDLE BAR DRIVING ARM SLIDE POSITIONING SPRING	X	X	X



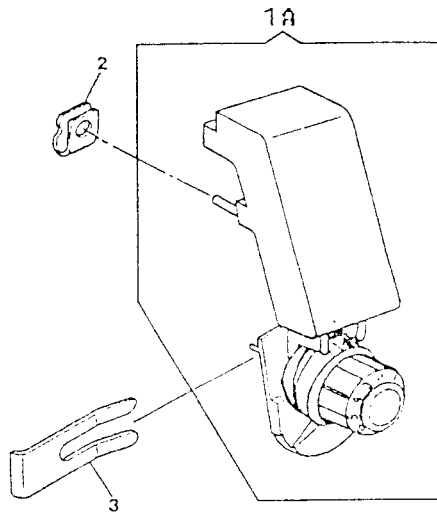
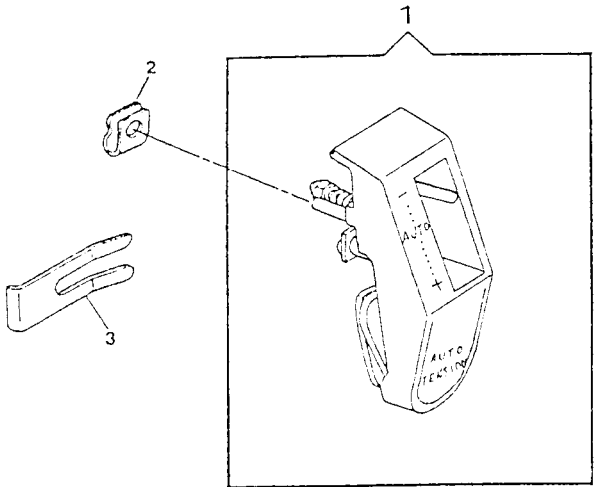


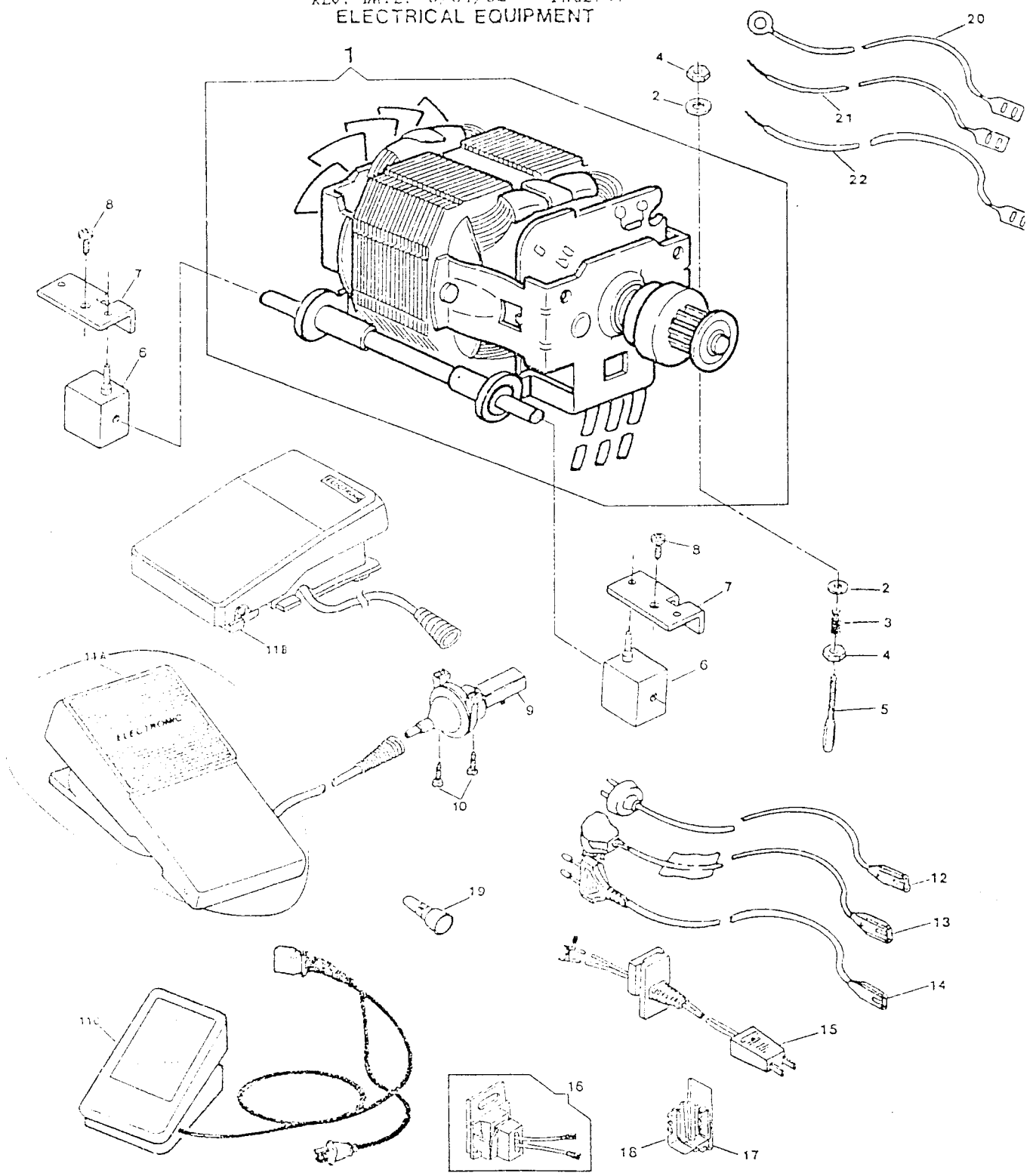
PATTERN, STITCH LENGTH CONTROL & CAM CONTROLLED FEED (CONT.)  
MODEL: 9444

REF. PART NO. NO.	DESCRIPTION	9N	9N	9N
		42	42	46
		40	45	40
		43	43	43
1	314300-001 FEED REVERSE MECHANISM	X	X	X
2	514674-451 CAM CONTROLLED FEED CONNECTING ROD LOCKING NUT	X	X	X
3	312645-451 CAM CONTROLLED FEED DISC FOLLOWER ACTUATOR CONNECTING ROD ADJUSTING	X	X	X
4	313143 CAM CONTROLLED FEED DISC FOLLOWER ACTUATOR CONNECTING ROD SPRING	X	X	X
5	312702 FEED LEVER CONNECTING LINK RETAINING RING	X	X	X
6	313891 CAM CONTROLLED FEED CONNECTING ROD STABILIZING WASHER	X	X	X
7	514674-451 REVERSE FEED CONTROL LEVER GUIDE SCREW NUT	X	X	X
8	313569 STITCH LENGTH CONTROL LEVER ASSEMBLY	X	X	X
9	313172-451 STITCH LENGTH CONTROL LEVER PIVOT LOCK WASHER	X	X	X
10	313177-451 STITCH LENGTH CONTROL LEVER NUT	X	X	X

PATTERN, STITCH LENGTH CONTROL & CAM CONTROLLED FEED (CONT.)  
 MODEL: 9444

REF. PART NO.	DESCRIPTION	9N	9N	9N
		42	42	4
		40	45	40
		43	43	43
<u>1</u>	<u>313077-015</u> THREAD TENSION MODULE	X	X	
1	313077-024 THREAD TENSION MODULE			X
2	313199 TENSION COVER MOUNTING RETAINER	X	X	X
3	313047 TENSION COVER RETAINING CLIP	X	X	X



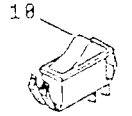
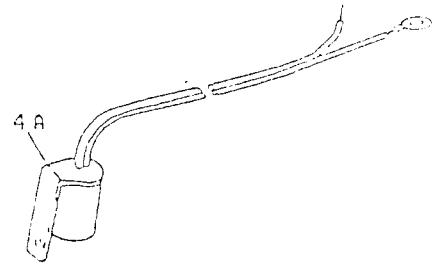
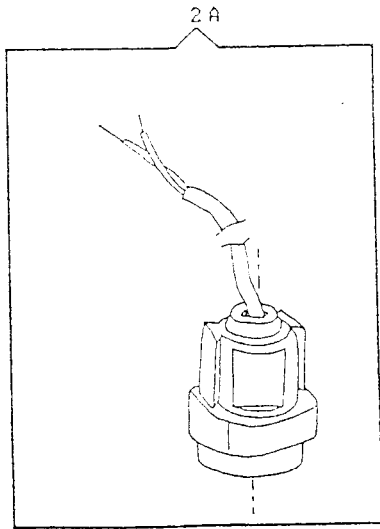
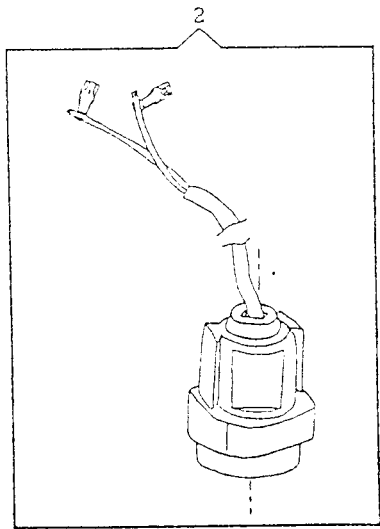
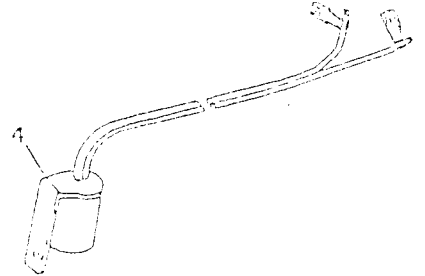
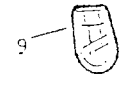
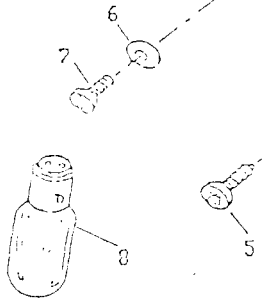
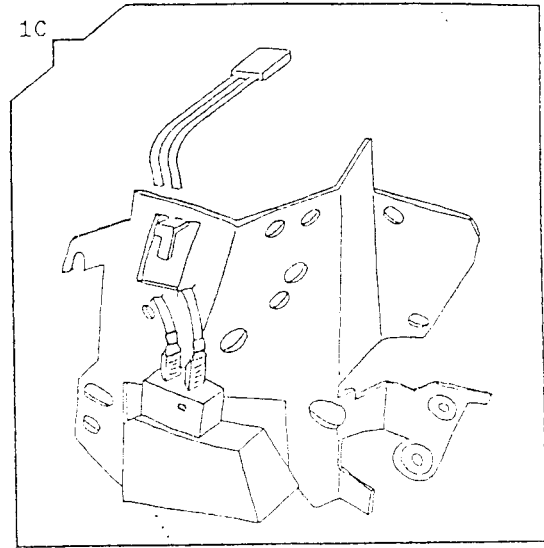
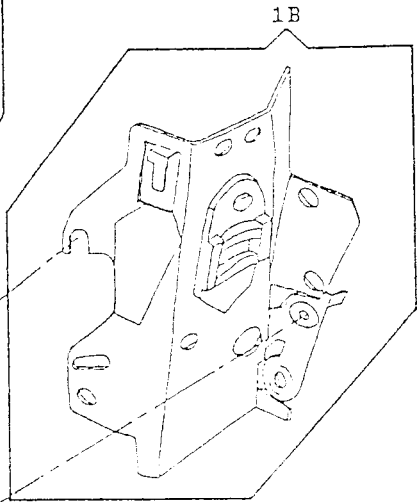
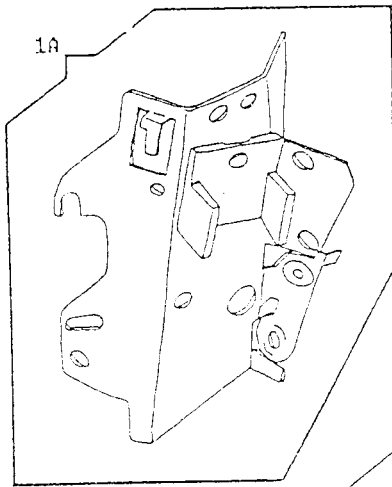


DEMAND RESPONSIVE NEEDLE TENSION SYSTEM  
MODEL: 9444

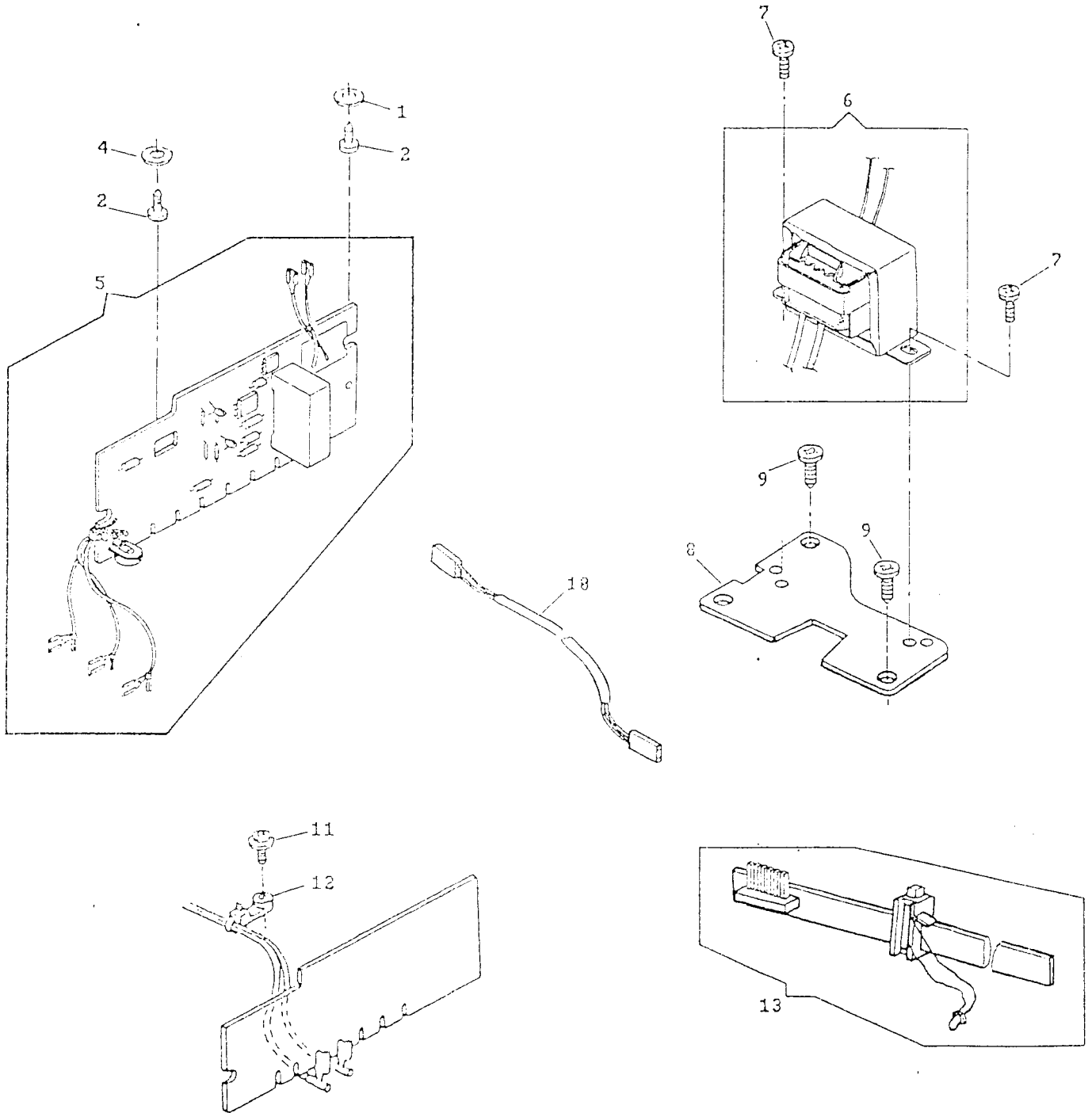
REF. PART NO. NO.	DESCRIPTION	9N	9N	9N
		42	42	46
		40	45	40
		43	43	43
1	988529-022 MOTOR COMPLETE (CAT. NO. TA4-8) 120VOLTS (NATIONAL MOTOR)	X	X	X
2	37969 MOTOR ADJUSTING STUD NUT WASHER	X	X	X
3	314058 MOTOR BELT TENSION SPRING	X	X	X
4	53646 MOTOR ADJUSTING STUD NUT	X	X	X
5	988653-001 MOTOR ADJUSTING STUD	X	X	X
6	979329-001 RESILIENT MOUNT	X	X	X
7	988651-001 CLIP	X	X	X
8	113470-004 MOTOR MOUNTING SCREW	X	X	X
9	988549-005 PNEUMATIC TRANSDUCER	X	X	X
10	113444-003 PNEUMATIC TRANSDUCER MOUNTING SCREW	X	X	X
11A	988667-001 PNEUMATIC CONTROLLER ASSEMBLY	X	X	X
15	979595-002 CORD COMPLETE (120V)	X	X	X

ELECTRICAL EQUIPMENT  
MODEL: 9444

REF. PART NO.	PART NO.	DESCRIPTION	9N	9N	9N
			42	42	40
			40	45	40
			43	43	43
1B	314823-003	LINT AND HEAD SHIELD ASSEMBLY (120V)	X	X	X
3	540899	TY-WRAP SELF-LOCKING (ALT:605600-001)	X	X	X
4	988728-001	LAMP SOCKET (120V) (US/CANADA)	X	X	X
5	113495-003	THREAD TAKE-UP COVER /LINT AND HEAT SHIELD SCREW	X	X	X
6	446138	HEAT SHIELD MOUNTING SCREW WASHER	X	X	X
7	544211-002	HEAT SHIELD MOUNTING SCREW	X	X	X
8	194120-010	LIGHT BULB (120V) (ALT:542656-005) (DUAL VOLTAGE FOR U.S.A./KOREA/GERMANY & H.K.)	X	X	X
10	979585-005	ROCKER SWITCH	X	X	
10	979585-007	ROCKER SWITCH (#3913)			X







ELECTRICAL EQUIPMENT (CONT.)  
MODEL: 9444

REF. PART			9N	9N	9N
NO.	NO.	DESCRIPTION	42	42	46
			40	45	40
			43	43	43
1	988547-002	WASHER, P.C. BOARD MOUNTING	X	X	X
2	113444-001	SCREW, P.C. BOARD MOUNTING	X	X	X
4	988547-001	WASHER, P.C. BOARD MOUNTING	X	X	X
5	979584-001	SPEED CONTROL P.C. BOARD ASSEMBLY (120V) (FULL WAVE)	X	X	X
11	113455-001	SCREW, LIGHT HARNESS	X	X	X
12	604690-001	SELF-LOCKING NYLON CABLE TIE, LIGHT HARNESS	X	X	X