

SINGER
9323N603/9334N603

LIST OF PARTS

Sewing Machine Models

9323N603

9334N603

by **SINGER***



A Publication of Product Support
International Group Engineering

Part No.317161- 046A

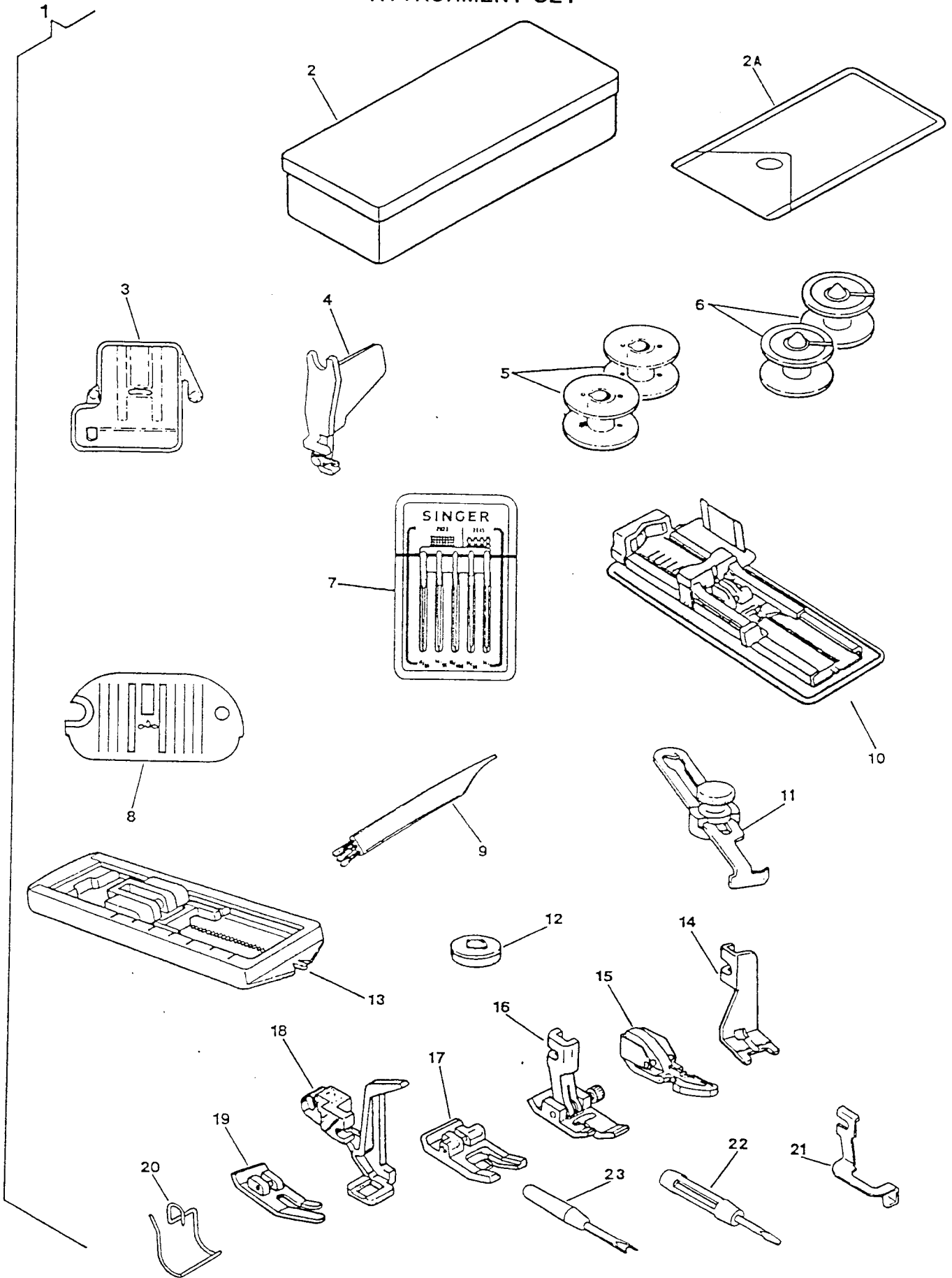
Printed in Taiwan

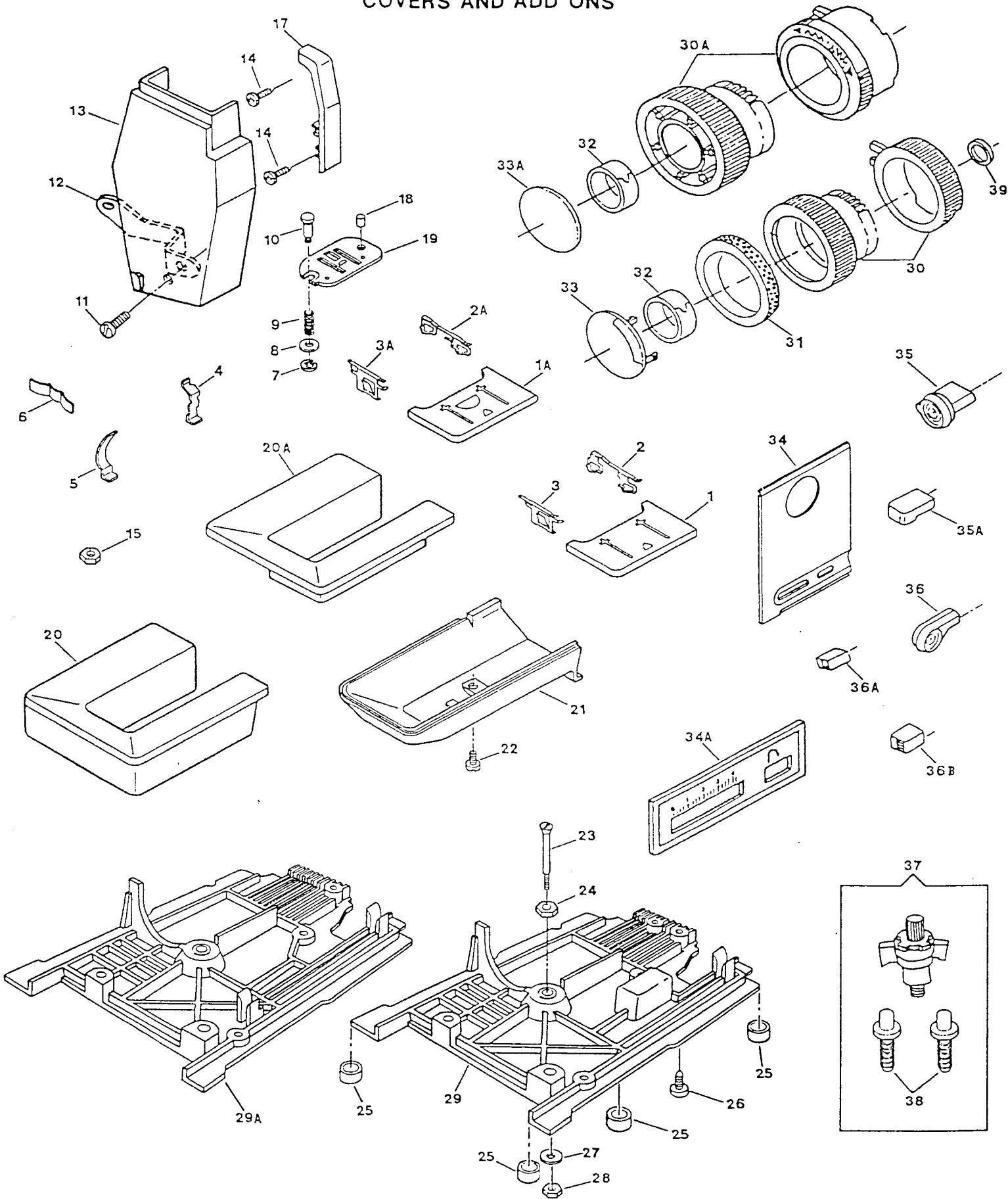
INDEX

PAGE NO.	SUBASSEMBLY
1, 2	ATTACHMENT SET
3, 4	COVERS AND ADD ONS
5, 8	ARM TOP COVER
9, 10	ARM SHAFT DRIVE SYSTEM
11, 12	HAND WHEEL
13, 14	COAXIAL PRESSER BAR SYSTEM
15, 16	NEEDLE BAR & THREAD TAKE-UP
17, 18	ALPHA FEED
19, 20	HOOK SYSTEM (APOLLO)
21, 22	HOOK AND BOBBIN WINDING SYSTEM
23, 28	PATTERN, SITCH LENGTH CONTROL & CAM CONTROLLED FEED
29, 30	DEMAND RESPONSIVE NEEDLE TENSION SYTEM
31, 36	ELECTRICAL EQUIPMENT

ATTACHMENT SET
MODEL: 9323N603 9334N603

REF. PART NO. NO.	DESCRIPTION	9N 9N 36 36 20 30 33 43
1 313030	ATTACHMENT COMPLETE (IN ACCESSORY BOX)	X
1 313032-003	ATTACHMENT COMPLETE	X
2 402673-455	ACCESSORY BOX COMPLETE (ALT:402673-454)	X
2A 317396	ACCESSARY BAG	X
3 313117	FEED COVER PLATE	X X
4 503277-454	NEEDLE THREADER COMPLETE	X
5 172336-001	BOBBIN (APOLLO)	X X
7 353364	NEEDLE PACK (ALT:384064)	X X
8 313066	THROAT PLATE FOR STRAIGHT SEWING	X
9 546358-452	LINT BRUSH	X
9 546358-453	LINT BRUSH	X
10 313093-452	BUTTONHOLE PRESSER FOOT (ONE-STEP) COMPLETE	X
11 161172	SEAM AND BLINDSTITCH HEM GUIDE COMPLETE	X
12 507664-467	ARM SPOOL PIN THREAD LEAD-OFF	X
13 313992-451	PRESSER FOOT PLATE (4-STEPS) FOR SEWING BUTTONHOLES	X
14 381066	PRESSER FOOT PLATE FOR BUTTON SEWING	X
15 171480	PRESSER FOOT PLATE (SNAP-ON) FOR CORDING AND SLIDE FASTENERS COMPLETE	X X
16 381491	BLIND HEM PRESSER FOOT ASSEMBLY	X
17 171463	SPECIAL PURPOSE PRESSER FOOT PLATE (SNAP-ON)	X X
18 384037	DARNING AND EMBROIDERY FOOT COMPLETE (PLASTIC)	X
19 353628	PRESSER FOOT PLATE (SNAP-ON) FOR STRAIGHT SEWING	X
21 171110	BLINDSTITCH GUIDE	X
3 313117	FEED COVER PLATE	X X

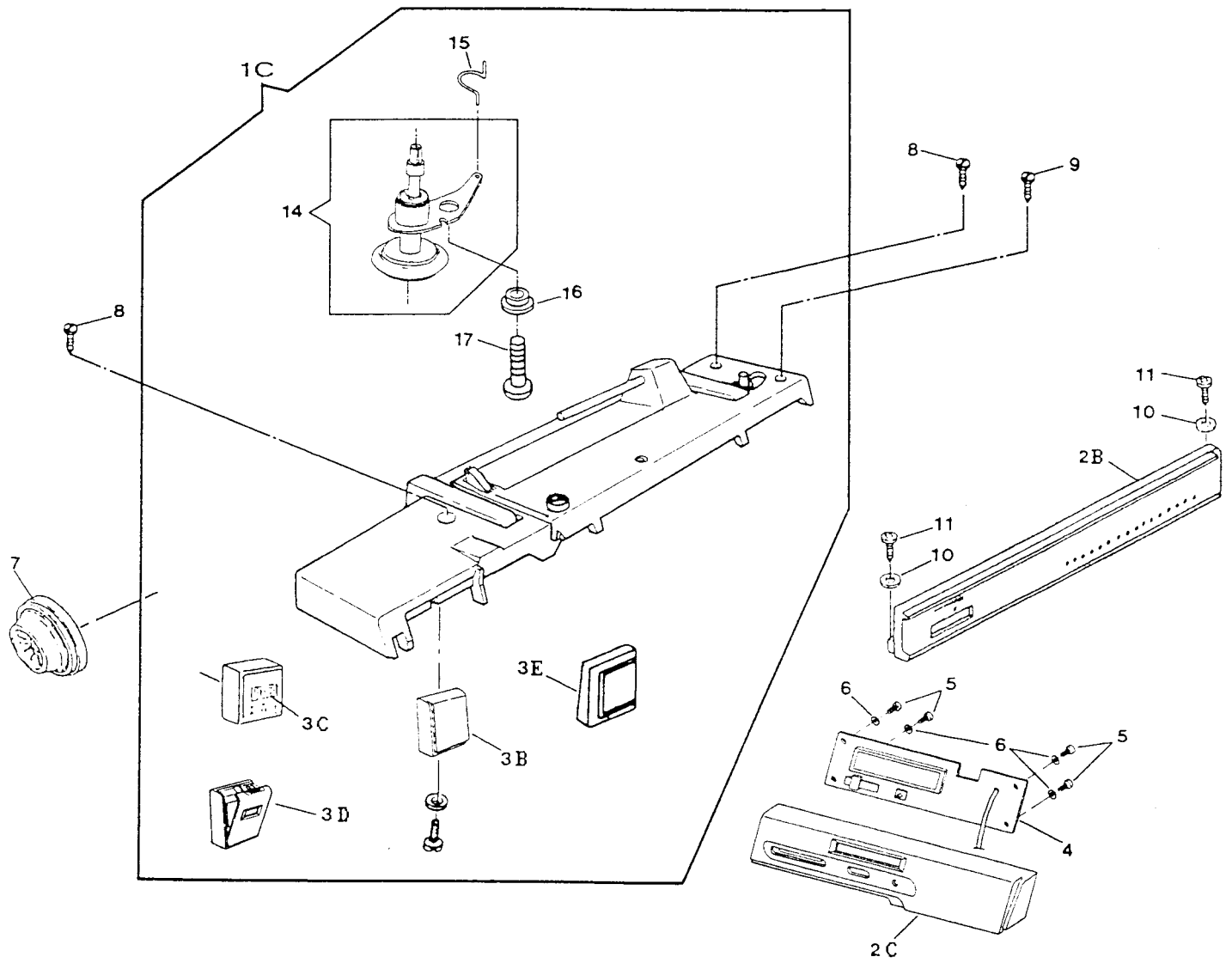




COVERS AND ADD ONS
MODEL: 9323N603 9334N603

REF. PART NO. NO.	DESCRIPTION	9N	9N
		36	36
		20	30
		33	43
1	314666	BED SLIDE ASSEMBLY COMPLETE (APOLLO)	X X
2	314669	BED SLIDE SPRING (RIGHT)	X X
3	314670	BED SLIDE SPRING (LEFT)	X X
4	313178	BED SLIDE STOP	X X
5	313179	BED SLIDE STOP SPRING	X X
6	313118	CLOTH PLATE SPRING	X X
7	313098	THROAT PLATE PLUNGER RETAINING RING	X X
8	549426-451	THROAT PLATE PLUNGER WASHER	X X
9	312805	THROAT PLATE PLUNGER SPRING	X X
10	312804	THROAT PLATE PLUNGER	X X
11	113521-451	FACE PLATE MOUNTING SCREW	X X
12	314263	FACE PLATE MOUNTING BRACKET	X
12	317226	FACE PLATE MOUNTING BRACKET	X
13	314259-009	FACE PLATE COMPLETE	X X
14	113470-003	THREAD TAKE-UP COVER MOUNTING SCREW	X X
15	313049	BED INSERT NUT	X X
17	314718-460	THREAD TAKE-UP COVER W/GRAPHICS	X X
18	353624	THROAT PLATE LOCATING PIN	X X
19	312777	THROAT PLATE FOR ZIG ZAG SEWING	X X
20	317361-452	CLOTH PLATE	X X
21	312773-452	BED COVER (TUBULAR)	X X
22	354633-452	BED COVER (TUBULAR) SCREW	X X
23	313052-451	BOTTOM COVER MOUNTING BOLT	X X
24	313173-451	BOTTOM COVER MOUNTING BOLT RETAINING NUT	X X
25	313909-451	BED LEG CUSHION	X X
26	113455-002	BED COVER PLATE (BOTTOM) SCREW	X X
27	314712-451	BOTTOM COVER MOUNTING BOLT WASHER	X X
28	313177-452	BOTTOM COVER MOUNTING BOLT MOUNTING NUT	X X
29	312774-003	BED COVER PLATE (BOTTOM)	X X
30	317087-002	PATTERN SELECTOR KNOB & STITCH BALANCE KNOB ASSEMBLY	X X
31	317363-453	RING, PATTERN SELECTOR KNOB	X X
32	313535	PATTERN SELECTOR KNOB COMPRESSION RING	X X
33	317074-453	PATTERN SELECTOR KNOB COVER	X X
34	317070-921	STITCH LENGTH PANEL	X
34	317070-922	STITCH LENGTH PANEL	X
35	317079-452	REVERSE FEED CONTROL LEVER KNOB (PLASTIC)	X X
36	317075-452	STITCH LENGTH, BIGHT AMPLITUDE AND TENSION REGULATING CONTROL LEVER KNOB (PLASTIC)	X X
37	313180	MACHINE HOLD DOWN MOUNTING KIT	X X
38	148869	MACHINE LOCATOR PIN	X X
39	314153	PATTERN SELECTOR KNOB SPACER	X

ARM TOP COVER



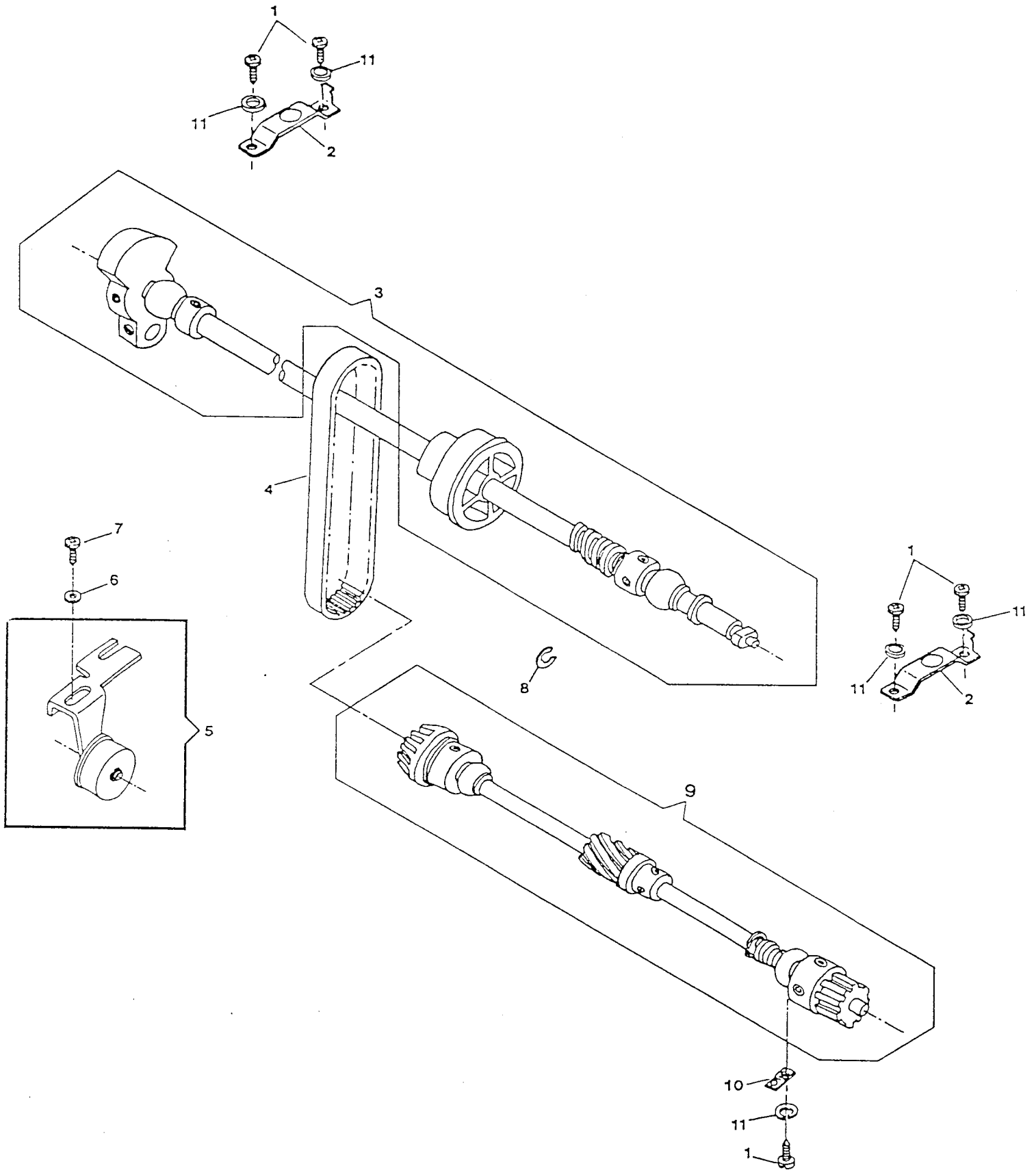
ARM TOP COVER
MODEL: 9323N603 9334N603

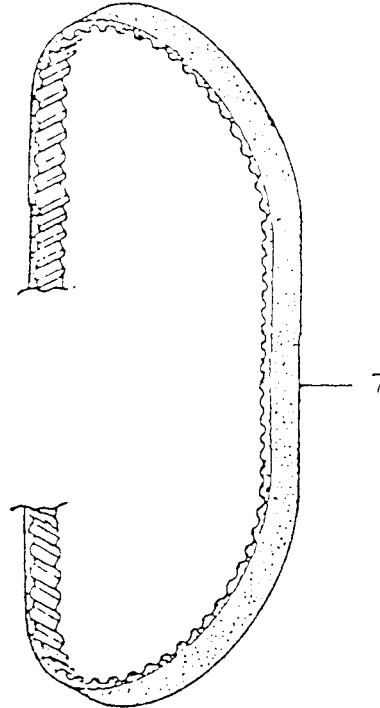
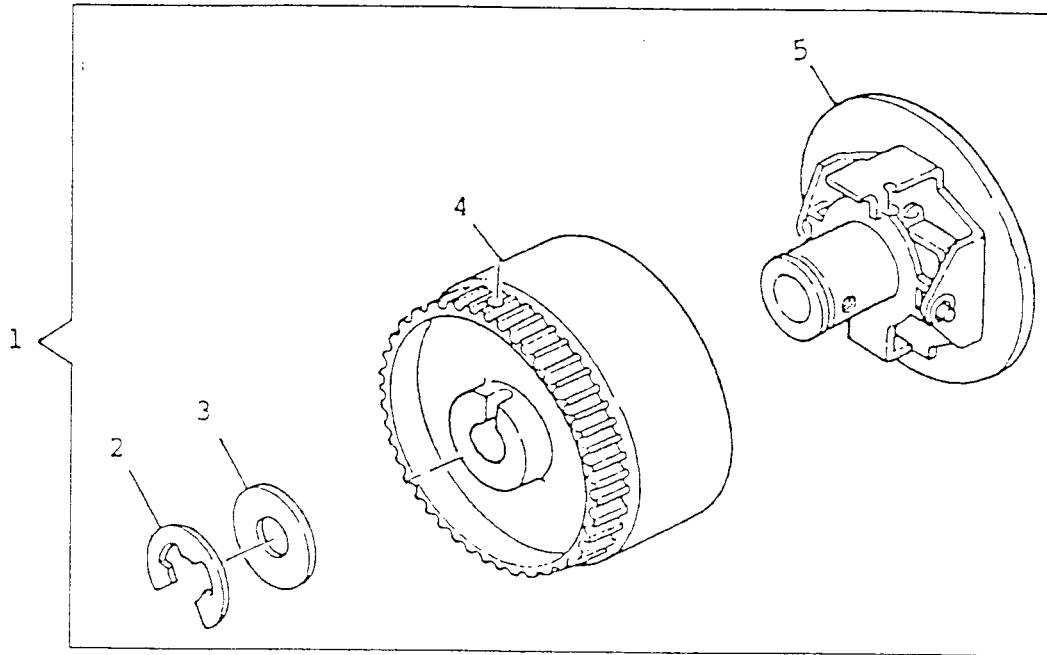
REF. PART NO. NO.	DESCRIPTION	9N	9N
		36	36
		20	30
		33	43
1C	137715-001	ARM TOP COVER ASSEMBLY WITH HANDLE	X
1C	137715-002	ARM TOP COVER ASSEMBLY WITH HANDLE	X
2B	317355-004	CONTROL PANEL ASSEMBLY WITH GRAPHICS	X
2C	317060-903	CONTROL PANEL ASSEMBLY WITH GRAPHICS	X
3B	317369-908	CONTROL PANEL EXTENSION WITH GRAPHICS	X
3B	317369-909	CONTROL PANEL EXTENSION WITH GRAHPICS	X
4	317064-907	LCD DISPLAY MODULE WITH P.C. BOARD ASSEMBLY (ENGLISH/FRENCH/SPANISH)	X
5	317480-451	LCD P.C. BOARD MOUNTING SCREW	X
6	446138	WASHER	X
7	179967-461	SPOOL PIN THREAD LEAD-OFF	X X
8	354927-001	ARM TOP COVER MOUNTING SCREW	X X
9	354954-451	ARM TOP COVER MOUNTING SCREW (RIGHT FRONT)	X X
10	502495-451	CONTROL PANEL SCREW WASHER	X X
11	113455-001	CONTROL PANEL SCREW	X X
14	312901	BOBBIN WINDER ASSEMBLY	X X
15	312897	BOBBIN WINDER LEVER SPRING	X X
16	312613	BOBBIN WINDER LEVER HINGE SCREW SHOULDER WASHER	X X
17	113372-451	BOBBIN WINDER LEVER HINGE SCREW	X X

ARM SHAFT DRIVE SYSTEM
 MODEL: 9323N603 9334N603

REF. PART NO. NO.	DESCRIPTION	9N 9N	36 36	20 30	33 43
1 113455-001	ARM SHAFT (HORIZONTAL) BUSHING (LEFT & RIGHT) CLAMP SCREW	X	X		
2 312796	ARM SHAFT (HORIZONTAL) BUSHING (LEFT & RIGHT) CLAMP ASSEMBLY	X	X		
3 286580-001	ARM SHAFT ASSEMBLY (APOLLO)	X	X		
4 603975-011	BELT (ROTATING HOOK DRIVE) ALT:603975-012	X	X		
5 313195	IDLER BRACKET ASSEMBLY	X	X		
6 314041-451	ROTATING HOOK DRIVING BELT TENSION ADJUSTER SCREW WASHER	X	X		
7 113455-002	ROTATING HOOK DRIVING BELT TENSION ADJUSTER SCREW	X	X		
8 313153	HAND WHEEL RETAINING RING	X			
9 314010	ROTATING HOOK DRIVE SHAFT SUB-ASSEMBLY	X	X		
10 313816	ROTATING HOOK DRIVE SHAFT BUSHING (SELF-ALIGNING) CLAMP	X	X		
11 314013-451	ROTATING HOOK DRIVE SHAFT BUSHING (SELF-ALIGNING) CLAMP SCREW AND ARM SHAFT BUSHING CLAMP SCREW LOCK WASHER	X	X		

ARM SHAFT DRIVE SYSTEM



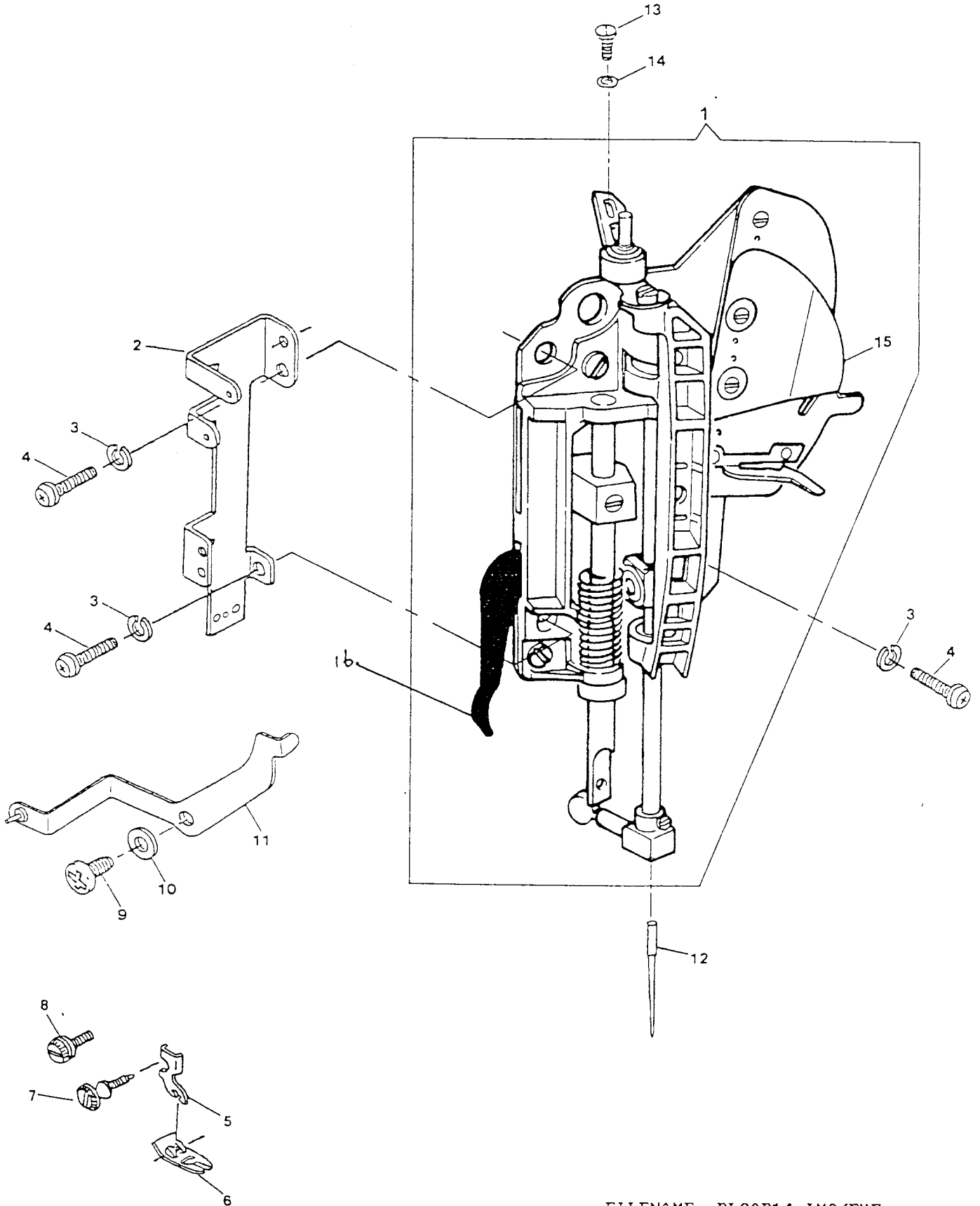


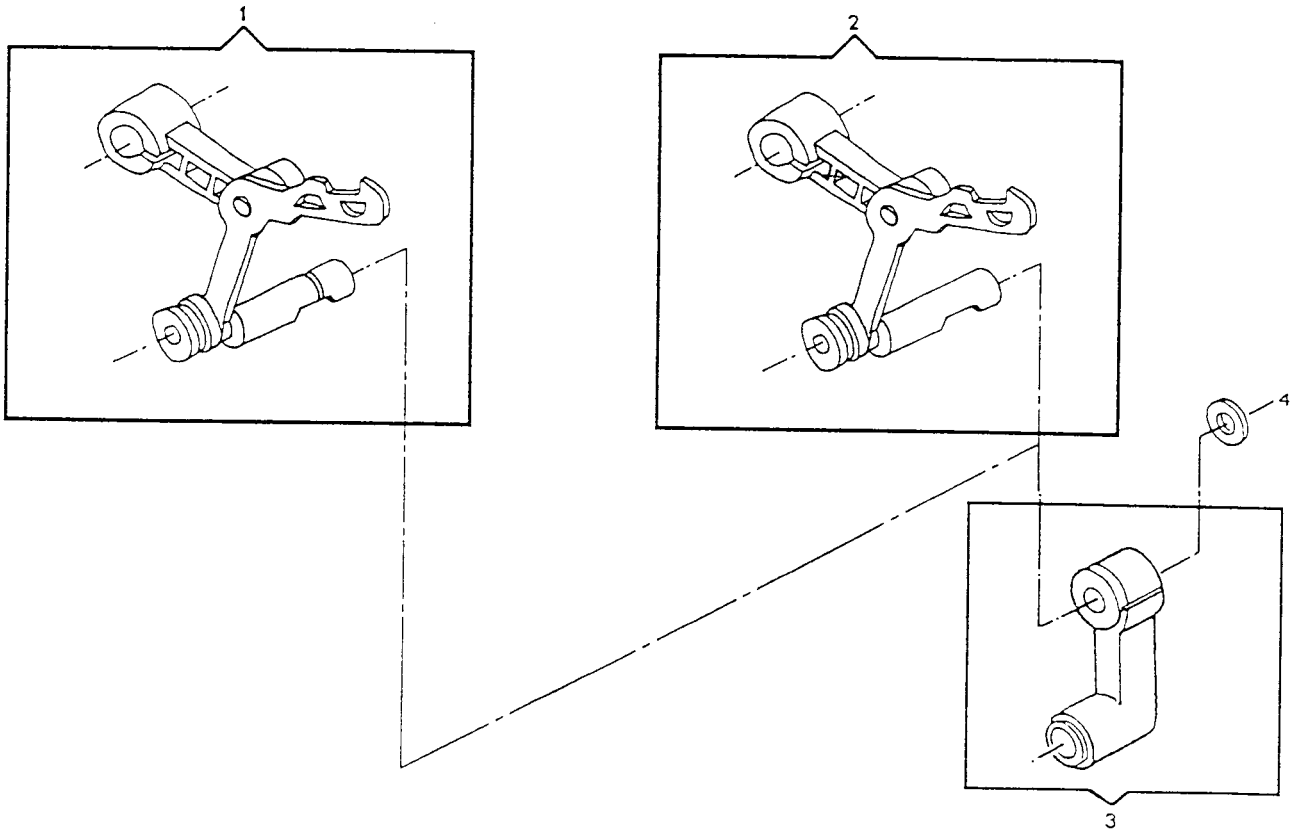
HAND WHEEL
 MODEL: 9323N603 9334N603

REF. PART NO.	PART NO.	DESCRIPTION	9N	9N
			36	36
			20	30
			33	43
1	286589-001	HAND WHEEL COMPLETE	X	X
2	286595-451	HAND WHEEL DISENGAGING CLUTCH BUSHING RETAINING RING	X	X
3	286596-451	HAND WHEEL DISENGAGING CLUTCH BUSHING PLASTIC WASHER	X	X
4	286590-451	HAND WHEEL (PLASTIC)	X	X
5	286586-451	HAND WHEEL DISENGAGING CLUTCH MECH. COMP.	X	X
7	312628-001	BELT (MOTOR DRIVE)	X	X

COAXIAL PRESSER BAR SYSTEM FOR NEW HEAD END
MODEL: 9323N603 9334N603

REF. PART NO. NO.	DESCRIPTION	9N 9N 36 36 20 30 33 43
1 314695-002	HEAD END MODULE (APOLLO)	X
1 314695-004	HEAD END MODULE (APOLLO)	X
2 314591	FACE PLATE MOUNTING BRACKET	X X
3 313955-451	HEAD END MOUNTING PLATE LOCK WASHER	X X
4 113455-012	HEAD END MOUNTING PLATE SCREW	X X
5 163706-451	PRESSER FOOT SHANK (SNAP-ON)	X X
6 313150	PRESSER FOOT PLATE (SNAP-ON) FOR ZIG-ZAG SEWING	X X
7 113531-451	PRESSER FOOT THUMB SCREW	X
8 314627-451	PRESSER FOOT THUMB SCREW & BOBBIN WINDER THREAD HOLDER	X
9 113455-001	NEEDLE THREAD TENSION RELEASE LEVER HINGE SCREW	X X
10 314041-451	NEEDLE THREAD TENSION RELEASE LEVER RETAINING WASHER	X X
11 314589	NEEDLE THREAD TENSION RELEASE LEVER ASSEMBLY	X X
12 N2020-014	NEEDLE (SIZE NO.14)	X X
13 113408-001	NEEDLE BAR DRIVING ARM BALL JOINT SCREW	X X
14 931929-004	NEEDLE BAR DRIVING ARM BALL JOINT SCREW WASHER	X X
15 314690	THREAD PINCH PLATE	X X
16 314582	PRESSER BAR LIFTER	X X



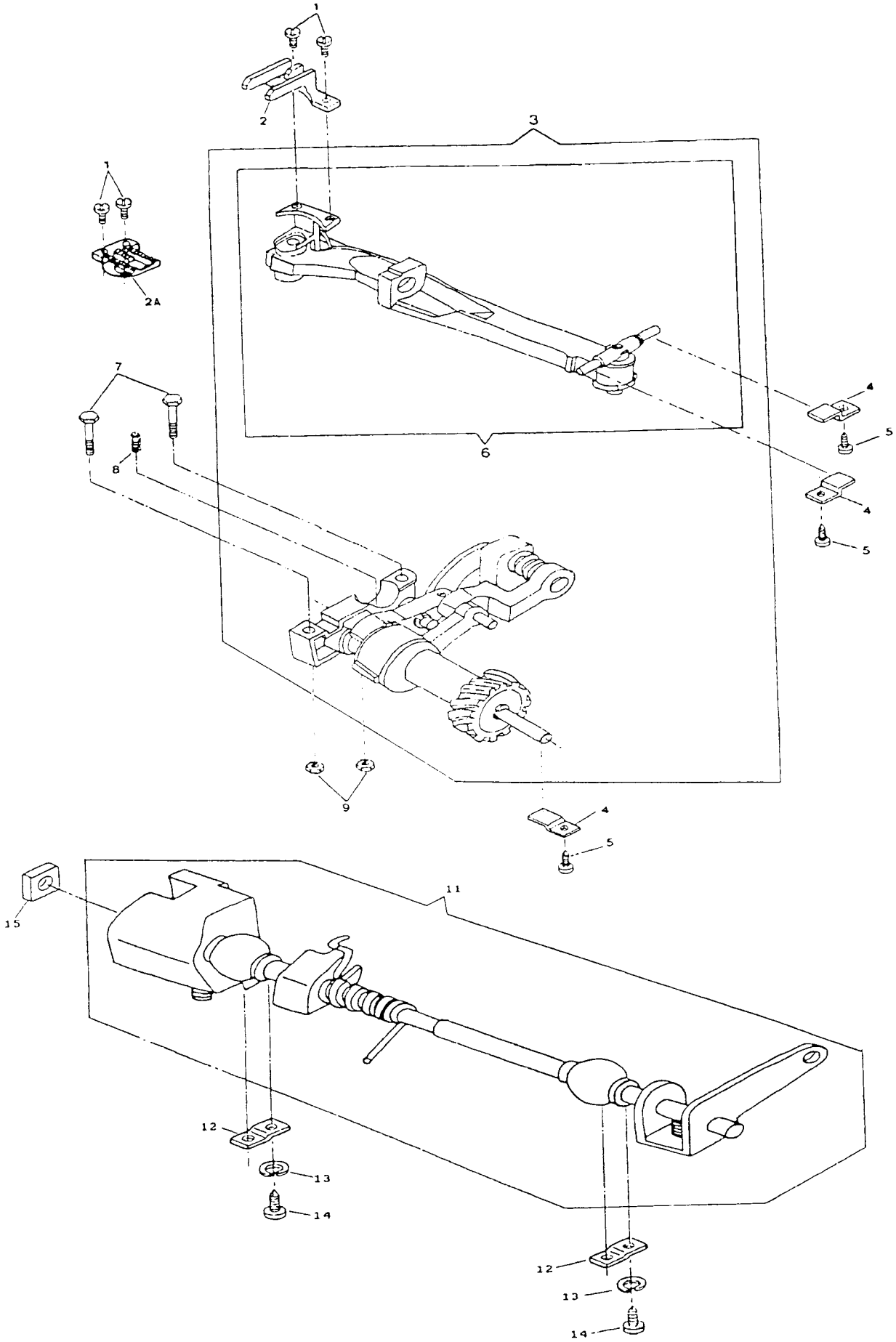


NEEDLE BAR & THREAD TAKE-UP FOR NEW HEAD END
 MODEL: 9323N603 9334N603

REF. PART NO. NO.	DESCRIPTION	9N 9N	36 36	20 30	33 43
1 314694	THREAD TAKE-UP COMPLETE (APOLLO)	X	X		
3 137528-901	NEEDLE BAR CONNECTING LINK	X	X		
4 314071	WASHER, THREAD TAKE-UP LEVER	X	X		

ALPHA FEED
MODEL: 9323N603 9334N603

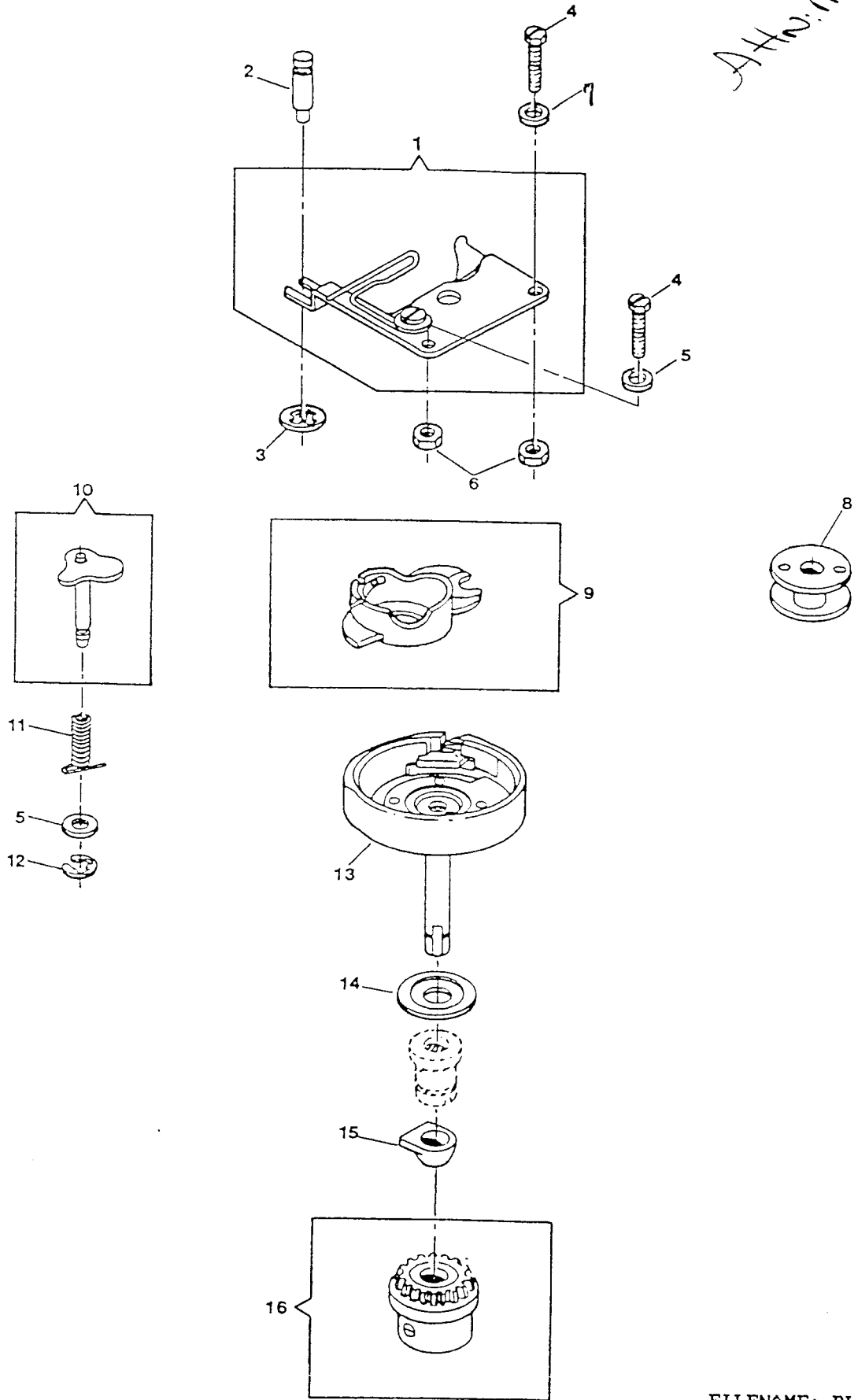
REF. PART			9N	9N
NO.	NO.	DESCRIPTION	36	36
			20	30
			33	43
1	141920-452	FEED DOG SCREW	X	X
2	312679	FEED DOG (APOLLO) ALT:313171	X	X
3	137562-001	ALPHA FEED MODULE		X
3	314140-002	ALPHA FEED MODULE (ALT:313011)	X	
4	312851	FEED BAR PIVOT HINGE STUD CLAMP	X	X
5	113455-003	CLAMP SCREW	X	X
6	314141	FEED BAR ASSEMBLY	X	X
7	354921-451	FEED & ROTATING HOOK DRIVE SHAFT BEARING BLOCK SCREW	X	X
8	314070	ROTATING HOOK DRIVE SHAFT BUSHING SPRING	X	X
9	514674-451	FEED & ROTATING HOOK DRIVE SHAFT BEARING BLOCK MOUNTING SCREW NUT	X	X
11	313133	FEED REGULATOR SHAFT ASSEMBLY	X	X
12	313816	FEED REGULATOR SHAFT BUSHING (SELF-ALIGNING) CLAMP	X	X
13	314013-451	FEED REGULATOR SHAFT BUSHING (SELF-ALIGNING) CLAMP SCREW LOCK WASHER	X	X
14	113455-001	FEED REGULATOR SHAFT BUSHING (SELF-ALIGNING) CLAMP SCREW	X	X
15	511030	FEED REGULATOR SLIDE BLOCK	X	X



HOOK SYSTEM (APOLLO)
MODEL: 9323N603 9334N603

REF. PART NO.	PART NO.	DESCRIPTION	9N	9N
			36	36
			20	30
			33	43
1	313089A	ROTATING HOOK BOBBIN CASE POSITION PLATE ASSEMBLY	X	X
2	312603	ROTATING HOOK BOBBIN CASE POSITION PLATE HOLD DOWN STUD	X	X
3	313161	ROTATING HOOK BOBBIN CASE POSITION PLATE HOLD DOWN STUD RETAINER	X	X
4	113439-451	ROTATING HOOK BOBBIN CASE POSITION PLATE SCREW	X	X
5	313190-451	ROTATING HOOK BOBBIN CASE POSITION PLATE SCREW WASHER	X	X
6	313945-451	ROTATING HOOK BOBBIN CASE POSITION PLATE SCREW NUT	X	X
8	172336-001	ROTATING HOOK BOBBIN (PLASTIC)	X	X
9	421325	ROTATING HOOK BOBBIN CASE COMPLETE	X	X
10	312846	ROTATING HOOK BOBBIN CASE RETAINING PLATE SUB-ASSEMBLY	X	X
11	312607	ROTATING HOOK BOBBIN CASE RETAINING PLATE STUD SPRING	X	X
12	313783	ROTATING HOOK BOBBIN CASE RETAINING PLATE STUD RETAINING RING	X	X
13	447926-932	ROTATING HOOK COMPLETE	X	X
14	314049	ROTATING HOOK FLANGED BUSHING THRUST WASHER		X
14	314049-001	ROTATING HOOK FLANGED BUSHING THRUST WASHER	X	
15	312847	ROTATING HOOK FLANGED BUSHING WASHER	X	X
16	314012	ROTATING HOOK BEVEL GEAR COMPLETE	X	X
7	446138	ROTATING HOOK BOBBIN CASE POSITION PLATE SCREW WASHER (RIGHT)	X	X

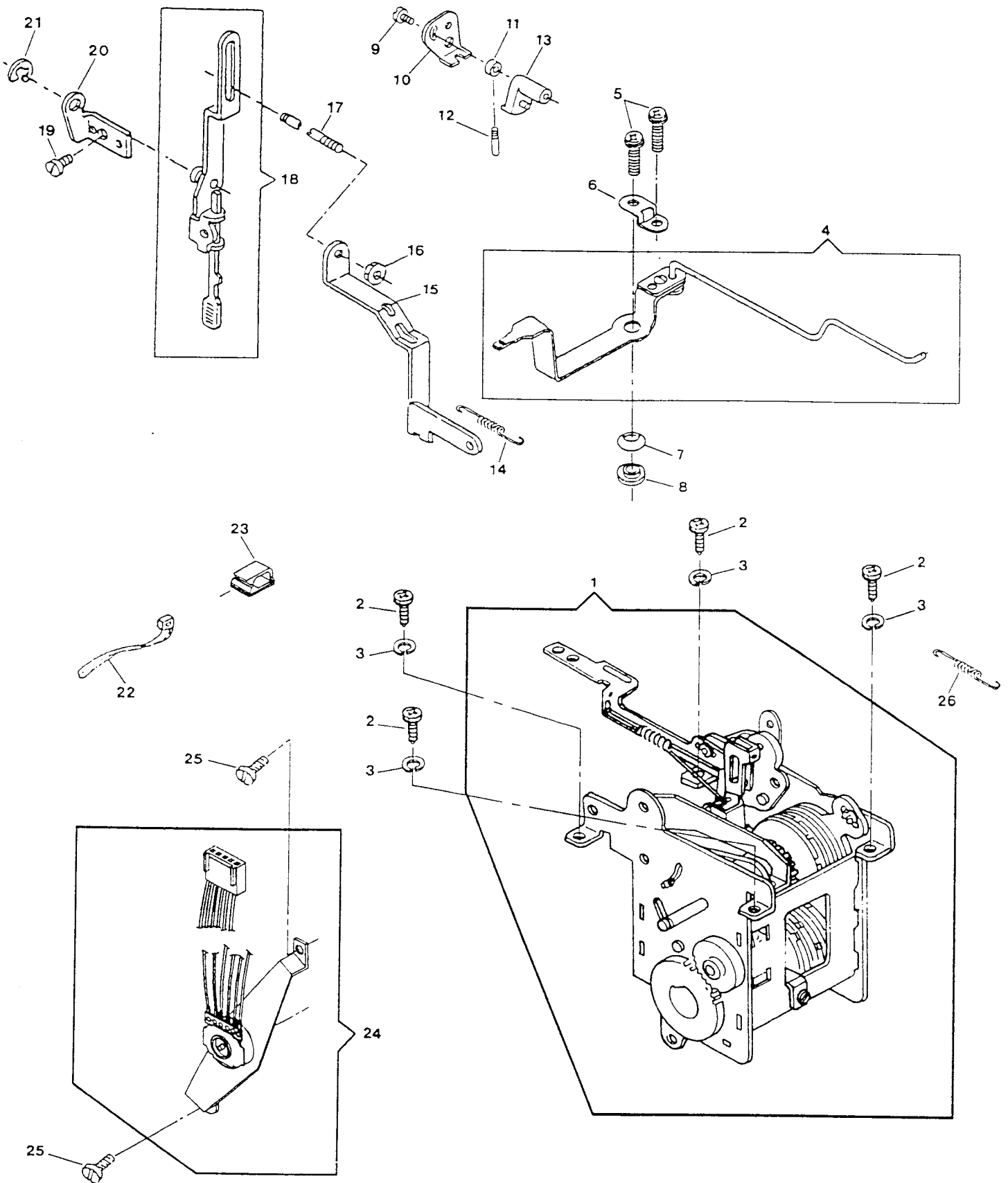
Att: Mark



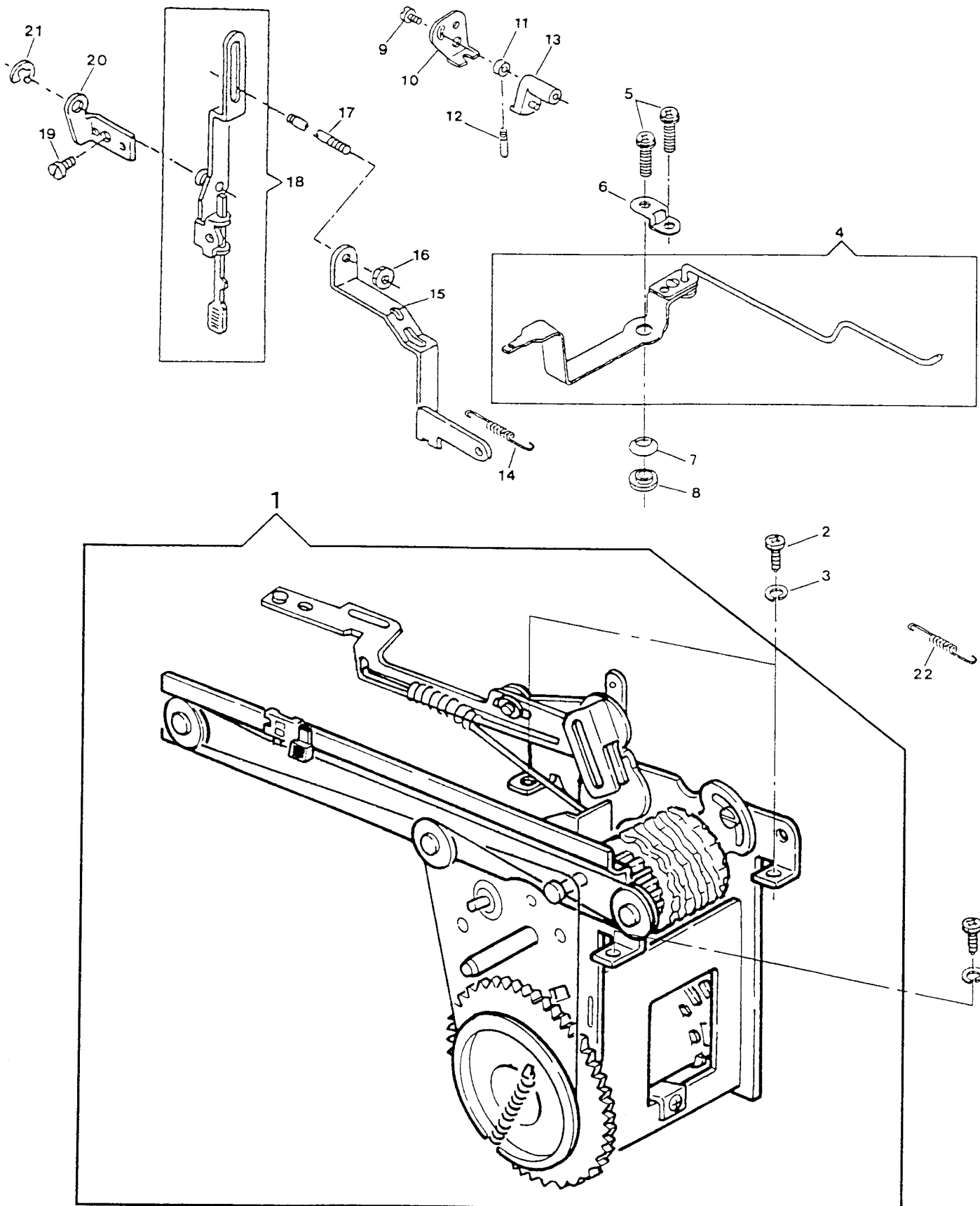
PATTERN, STITCH LENGTH CONTROL & CAM CONTROLLED FEED (CONT.)
 MODEL: 9323N603 9334N603

REF. NO.	PART NO.	DESCRIPTION	9N	9N
			36	36
			20	30
			33	43
1	317252	PATTERN SELECTOR MODULE		X
2	113455-001	DISC SELECTOR MECHANISM MOUNTING PLATE SCREW (LEFT AND RIGHT)		X
3	314013-451	DISC SELECTOR MECHANISM MOUNTING PLATE SCREW (LEFT AND RIGHT) LOCK		X
4	314607-004	BIGHT AMPLITUDE CONTROL LEVER ASSEMBLY		X
5	113455-014	BIGHT AMPLITUDE CONTROL LEVER STOP ADJUSTMENT SCREW		X
6	314683	BIGHT AMPLITUDE CONTROL LEVER RETAINER		X
7	353457	BIGHT AMPLITUDE CONTROL LEVER FRICTION WASHER		X
8	314611	BIGHT AMPLITUDE CONTROL LEVER SHOULDER WASHER		X
9	544211-010	BUTTONHOLE ACTUATOR CAM ADJUSTING BRACKET SCREW		X
10	313073	BUTTONHOLE ACTUATOR CAM ADJUSTING BRACKET		X
11	313022	BUTTONHOLE FOLLOWER HUB RELEASE		X
12	313023	BUTTONHOLE FOLLOWER HUB RELEASE PIN		X
13	313025	BUTTONHOLE ACTUATOR CAM		X
14	313799	BUTTONHOLE ACTUATOR ADJUSTING ROD SPRING		X
15	313005	BUTTONHOLE DISC CONTROL CATCH RELEASE LINK		X
16	314763-451	BUTTONHOLE TRIPPING ROD ADJUSTING & LOCKING NUT		X
17	312982	BUTTONHOLE TRIPPING LEVER ROD		X
18	312994-003	BUTTONHOLE KICK-OUT TRIPPING ROD LEVER ASSEMBLY		X
19	354877-451	BUTTONHOLE PIVOT LEVER SCREW		X
20	313392	BUTTONHOLE LEVER PIVOT		X
21	312685	BUTTONHOLE KICK-OUT SHAFT TRIPPING LEVER RETAINING RING		X
22	540899	TY-WRAP SELF-LOCKING		X
23	317340	SELF-ADHESIVE WIRE CLIP (FC-1)		X
24	317253	ROTARY SWITCH ASSEMBLY COMPLETE		X
25	544211-001	SCREW		X
26	314497	NEEDLE BAR DRIVING ARM SLIDE POSITIONING SPRING		X

PATTERN STITCH LENGTH CONTROL AND CAM CONTROLLED FEED



PATTERN STITCH LENGTH CONTROL AND CAM CONTROLLED FEED (CONT.)



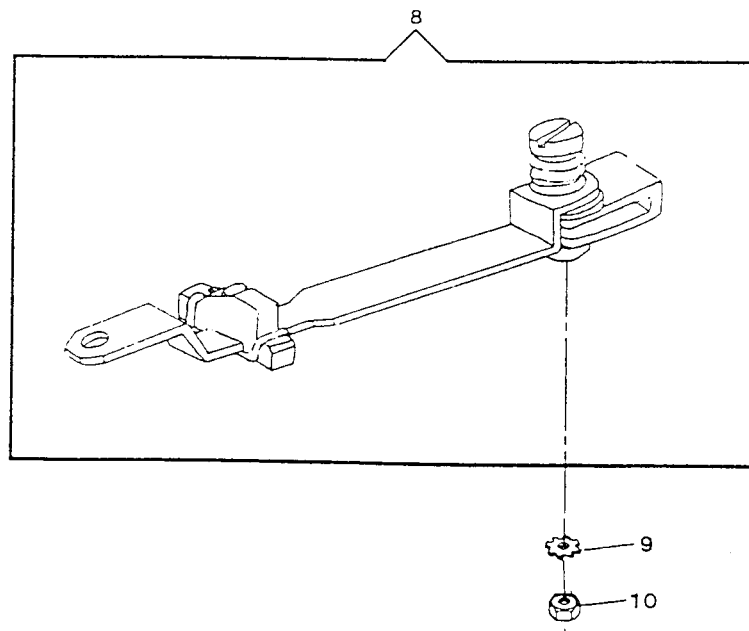
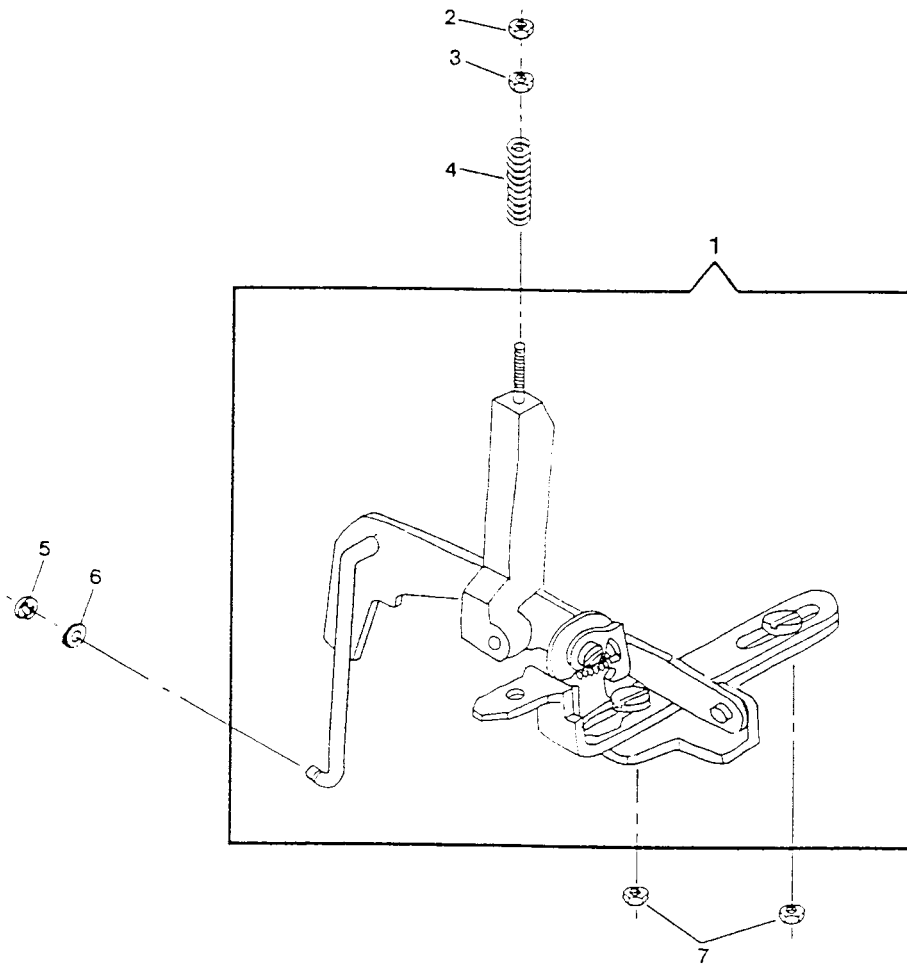
PATTERN, STITCH LENGTH CONTROL & CAM CONTROLLED FEED (CONT.)
 MODEL: 9323N603 9334N603

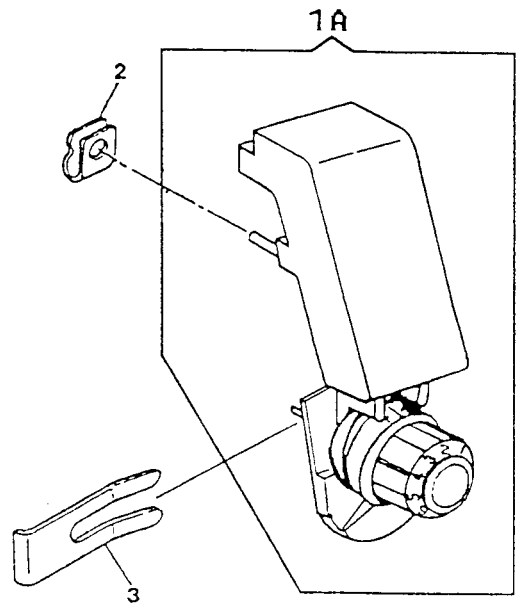
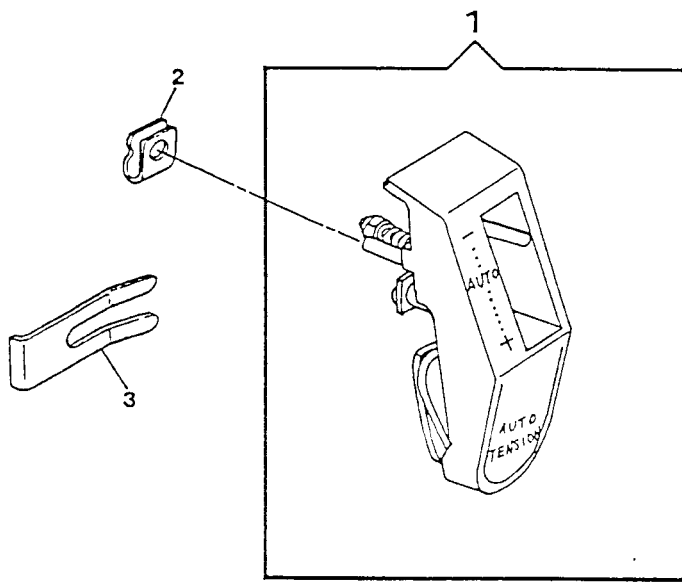
REF. PART NO. NO.	DESCRIPTION	9N 9N 36 36 20 30 33 43
1 137521-014	PATTERN SELECTOR MODULE	X
2 113455-001	DISC SELECTOR MECHANISM MOUNTING PLATE SCREW (LEFT AND RIGHT)	X
3 314013-451	DISC SELECTOR MECHANISH MOUNTING PLATE SCREW (LEFT AND RIGHT) LOCK WASHER	X
4 314607-004	BIGHT AMPLITUDE CONTROL LEVER ASSEMBLY	X
5 113455-014	BIGHT AMPLITUDE CONTROL LEVER STOP ADJUSTMENT SCREW	X
6 314683	BIGHT AMPLITUDE CONTROL LEVER RETAINER	X
7 353457	BIGHT AMPLITUDE CONTROL LEVER FRICTION WASHER	X
8 314611	BIGHT AMPLITUDE CONTROL SHOULDER WASHER	X
22 314497	NEEDLE BAR DRIVING ARM SLIDE POSITIONING SPRING	X

PATTERN, STITCH LENGTH CONTROL & CAM CONTROLLED FEED (CONT.)
 MODEL: 9323N603 9334N603

REF. PART NO. NO.	DESCRIPTION	9N 9N 36 36 20 30 33 43
1 314300-003	FEED REVERSE MECHANISM	X X
2 514674-451	CAM CONTROLLED FEED CONNECTING ROD LOCKING NUT	X X
3 312645-451	CAM CONTROLLED FEED DISC FOLLOWER ACTUATOR CONNECTING ROD ADJUSTING	X X
4 313143	CAM CONTROLLED FEED DISC FOLLOWER ACTUATOR CONNECTING ROD SPRING	X X
5 312702	FEED LEVER CONNECTING LINK RETAINING RING	X X
6 313891	CAM CONTROLLED FEED CONNECTING ROD STABILIZING WASHER	X X
7 514674-451	REVERSE FEED CONTROL LEVER GUIDE SCREW NUT	X X
8 313569-002	STITCH LENGTH CONTROL LEVER ASSEMBLY	X X
9 313172-451	STITCH LENGTH CONTROL LEVER PIVOT LOCK WASHER	X X
10 313177-451	STITCH LENGTH CONTROL LEVER NUT	X X

PATTERN STITCH LENGTH CONTROL AND CAM CONTROLLED FEED (CONT.)



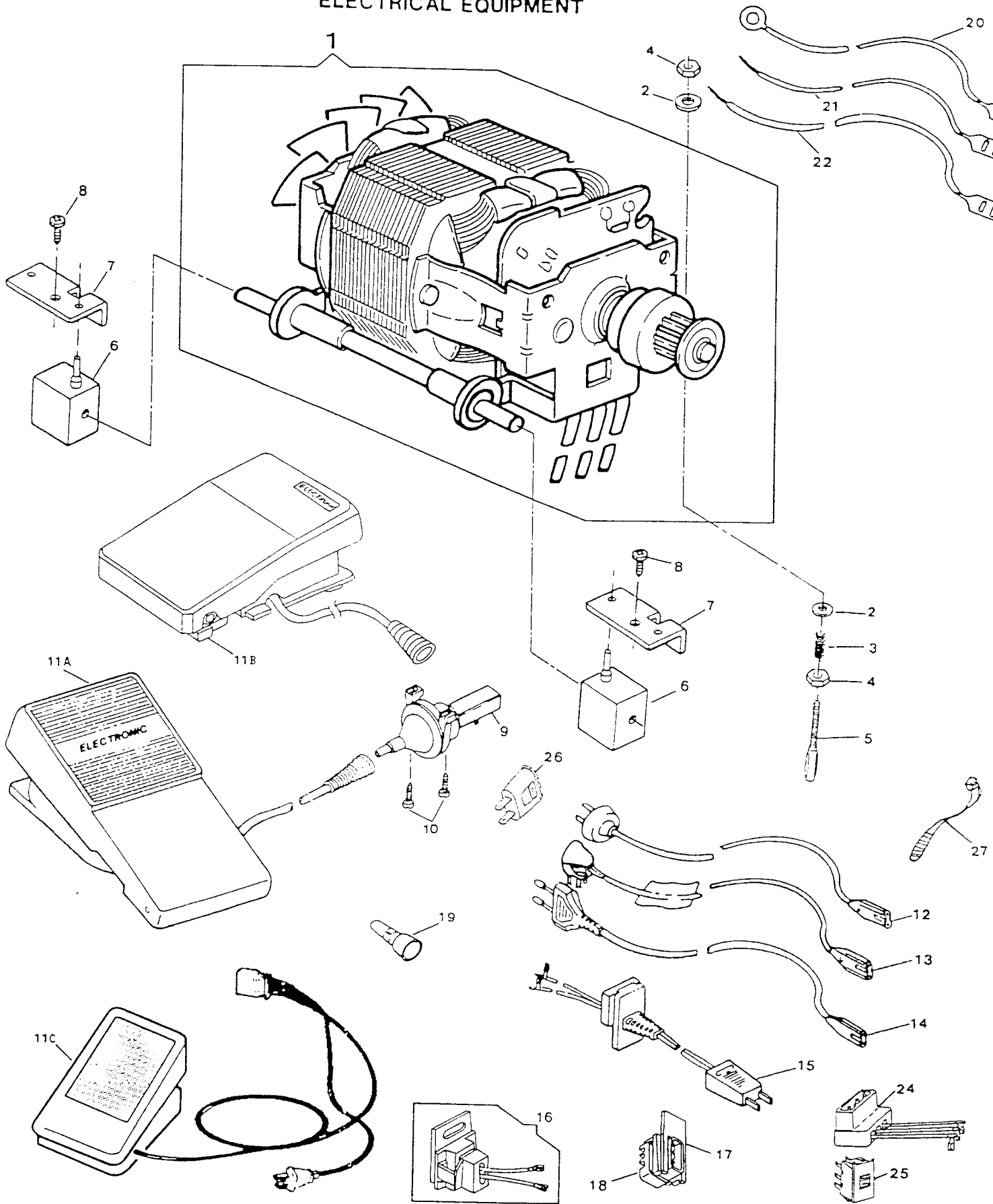


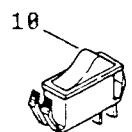
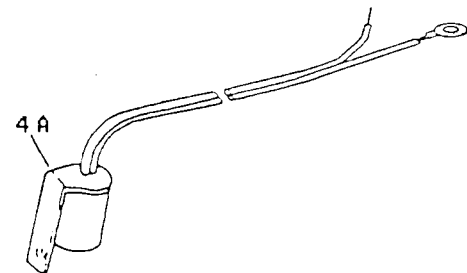
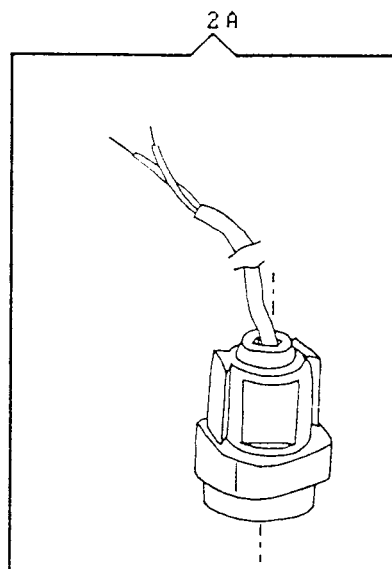
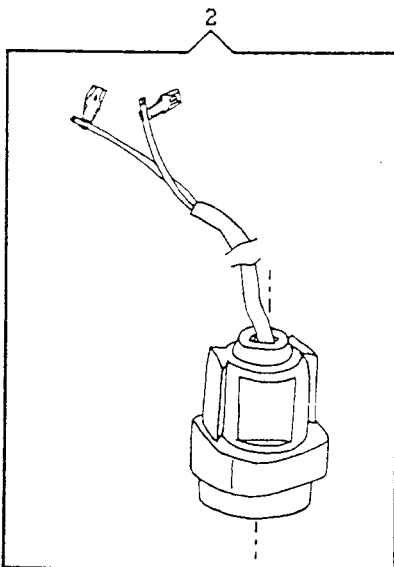
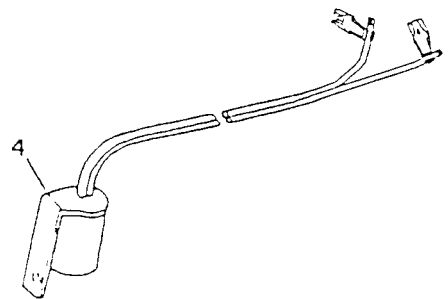
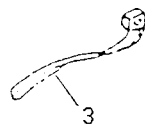
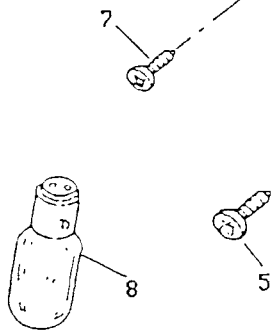
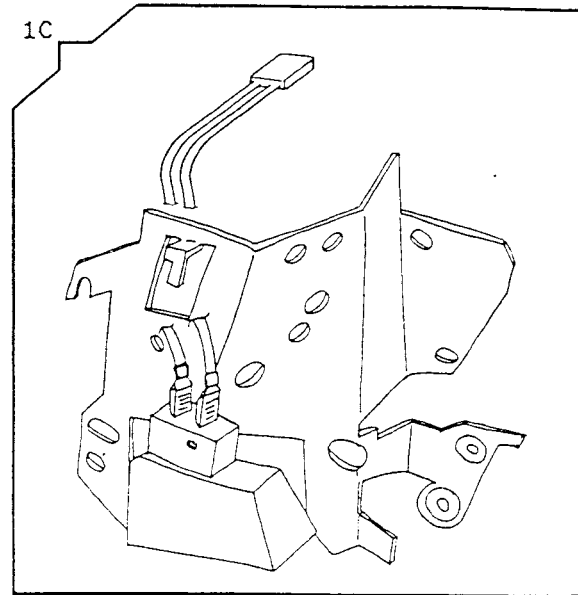
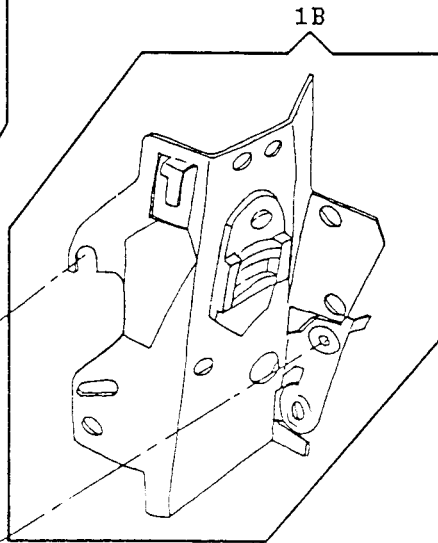
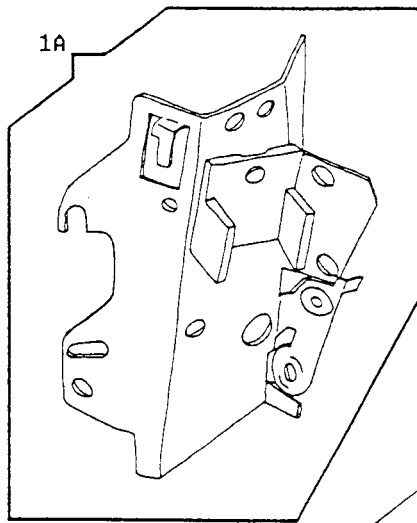
DEMAND RESPONSIVE NEEDLE TENSION SYSTEM
MODEL: 9323N603 9334N603

REF. PART			9N	9N
NO.	NO.	DESCRIPTION	36	36
			20	30
			33	43
1	317080-009	THREAD TENSION MODULE	X	X
2	313199	TENSION COVER MOUNTING RETAINER	X	X
3	313047	TENSION COVER RETAINING CLIP	X	X

ELECTRICAL EQUIPMENT
MODEL: 9323N603 9334N603

REF. PART NO. NO.	DESCRIPTION	9N 9N	36 36	20 30	33 43
1 988529-022	MOTOR COMPLETE (120V) (NATIONAL #TA4-8)	X	X		
2 37969	MOTOR ADJUSTING STUD NUT WASHER	X	X		
3 314058	MOTOR BELT TENSION SPRING	X	X		
4 53646	MOTOR ADJUSTING STUD NUT	X	X		
5 988653-001	MOTOR ADJUSTING STUD	X	X		
6 979329-001	RESILIENT MOUNT	X	X		
7 988651-001	CLIP	X	X		
8 113470-004	MOTOR MOUNTING SCREW	X	X		
9 988549-005	PNEUMATIC TRANSDUCER	X	X		
10 113444-003	PNEUMATIC TRANSDUCER MOUNTING SCREW	X	X		
11B 979583-001	PNEUMATIC CONTROLLER ASSEMBLY				X
11B 979583-003	PNEUMATIC CONTROLLER ASSEMBLY			X	
15 979595-002	CORD COMPLETE (120V)			X	
18 317421	RECEPTACLE (120V)				X





ELECTRICAL EQUIPMENT
MODEL: 9323N603 9334N603

REF. PART			9N	9N
NO.	NO.	DESCRIPTION	36	36
			20	30
			33	43
1B	314823-003	LINT AND HEAD SHIELD ASSEMBLY (120V)	X	
1C	317095-001	LINT AND HEAT SHIELD ASSEMBLY		X
3	540899	TY-WRAP SELF-LOCKING (ALT:605600-001)	X	X
4	988728-001	LAMP SOCKET (120V) (US/CANADA)	X	X
5	113455-003			
		SCREW, LINT AND HEAT SHIELD MOUNTING	X	X
7	137813-002	HEAT SHIELD MOUNTING SCREW	X	X
8	194120-019	LIGHT BULB (120V) (ALT:542656-005) (DUAL VOLTAGE FOR U.S.A./KOREA/GERMANY & H.K.)	X	X
10	979585-007	ROCKER SWITCH (#3913)	X	X

ELECTRICAL EQUIPMENT
MODEL: 9323N603 9334N603

REF. PART			9N	9N
NO.	NO.	DESCRIPTION	36	36
			20	30
			33	43
1	988547-002	WASHER, P.C. BOARD MOUNTING	X	X
2	113444-001	SCREW, P.C. BOARD MOUNTING	X	X
4	988547-001	WASHER, P.C. BOARD MOUNTING	X	X
5	979584-001	SPEED CONTROL P.C. BOARD ASSEMBLY (120V) (FULL WAVE)	X	X
6	317346-001	TRANSFORMER ASSEMBLY WITH LEAD (120V)		X
7	544211-002	TRANSFORMER MOUNTING SCREW		X
8	317277-902	TRANSFORMER MOUNTING PLATE		X
9	113470-004	TRANSFORMER ASSEMBLY MOUNTING SCREW		X
11	113455-001	SCREW, LIGHT HARNESS	X	X
12	604690-001	SELF-LOCKING NYLON CABLE TIE, LIGHT HARNESS	X	X

