

SINGER
9110/9113/9117/9124

LIST OF PARTS

Sewing Machine Series

9110

9113

9117

9124

by **SINGER***



A Publication of Product Support
International Group Engineering

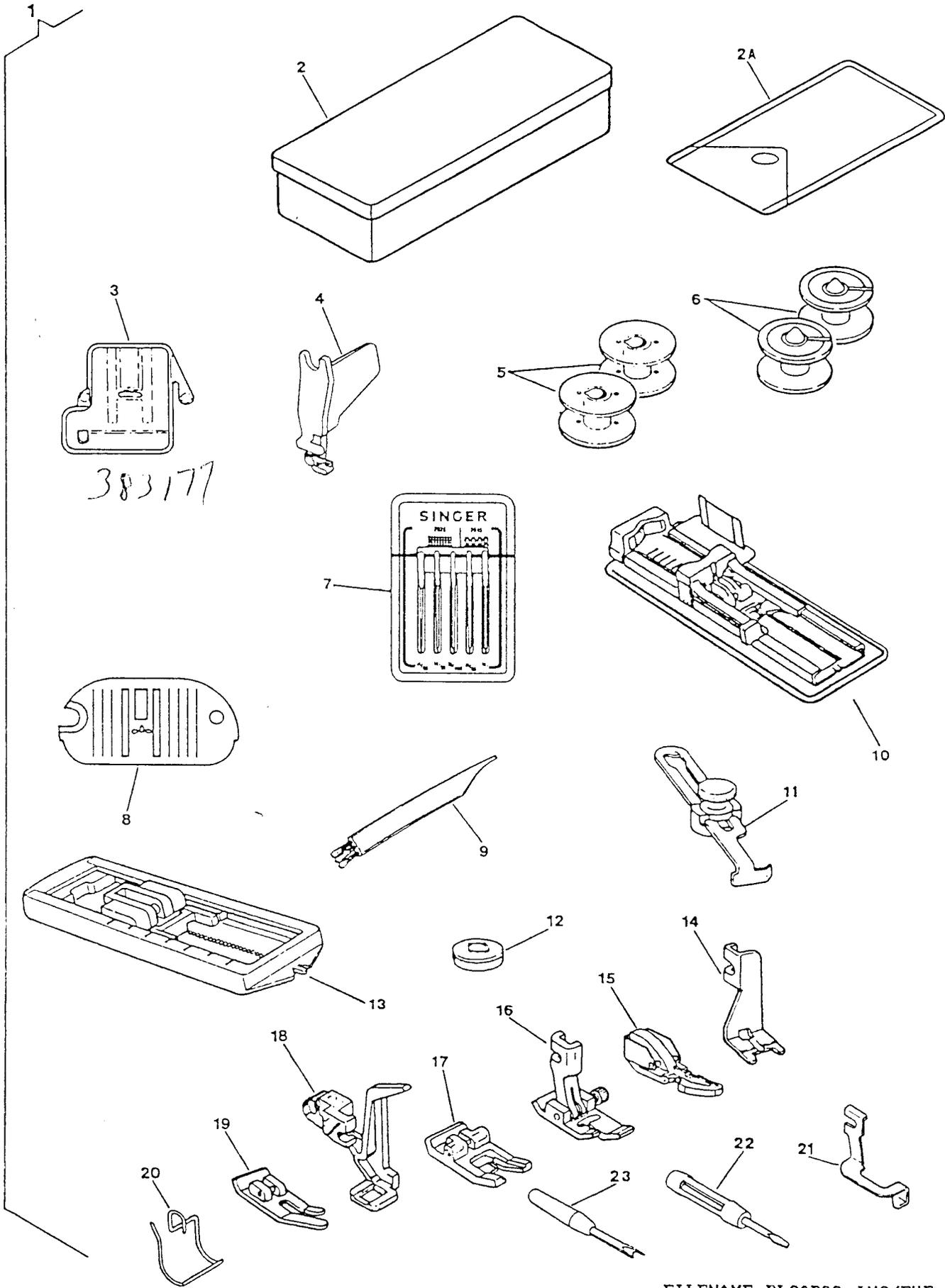
Part No. 317161-027
Printed in Taiwan

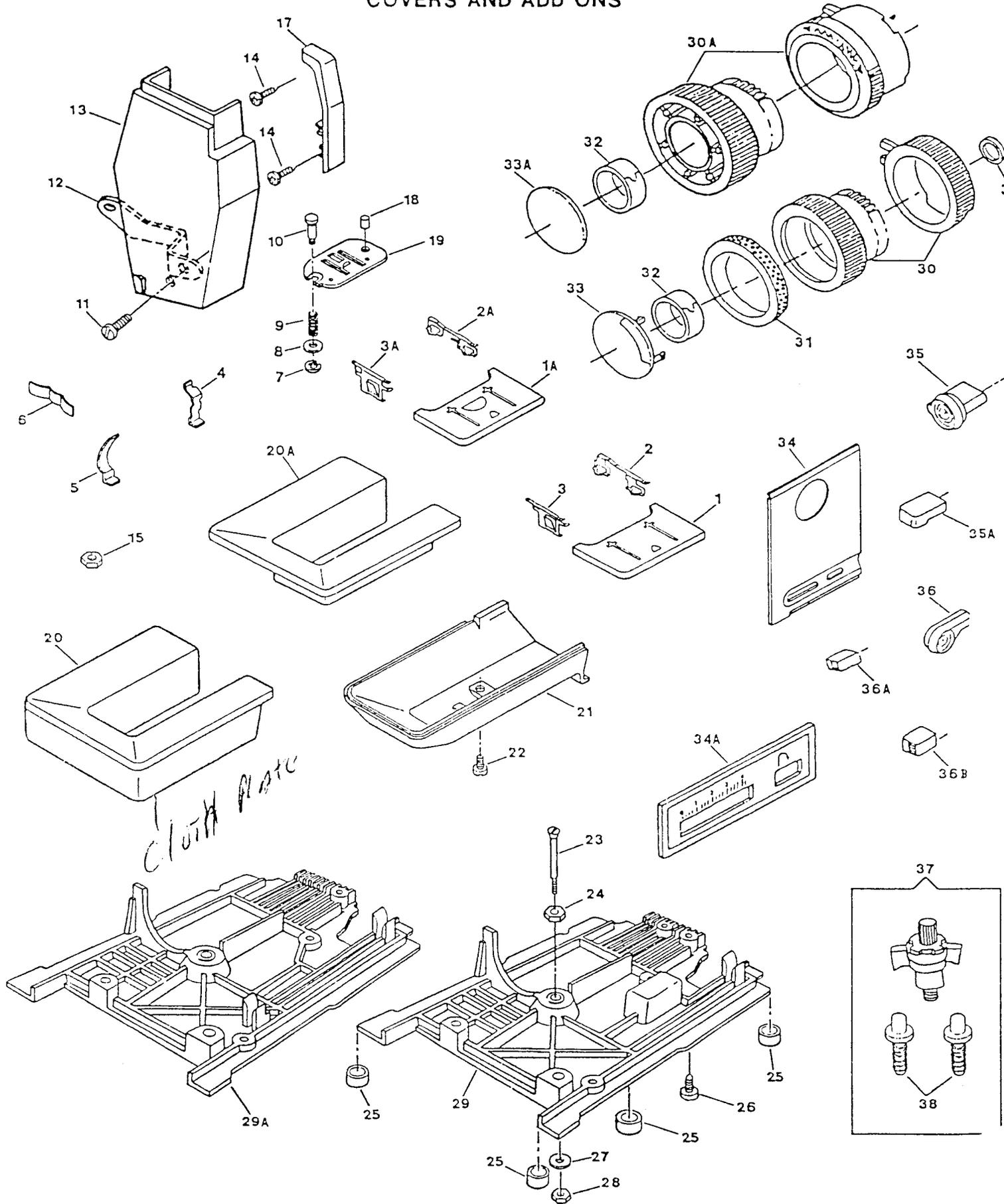
INDEX

PAGE NO.	SUBASSEMBLY
1, 2	ATTACHMENT SET
3, 4	COVERS AND ADD ONS
5, 8	ARM TOP COVER
9, 10	ARM SHAFT DRIVE SYSTEM
11, 12	HAND WHEEL
13, 14	COAXIAL PRESSER BAR SYSTEM
15, 16	NEEDLE BAR & THREAD TAKE-UP
17, 18	ALPHA FEED
19, 20	HOOK SYSTEM (APOLLO)
21, 22	HOOK AND BOBBIN WINDING SYSTEM (CENTAUR)
23, 28	PATTERN, STITCH LENGTH CONTROL & CAM CONTROLLED FEED
29, 30	DEMAND RESPONSIVE NEEDLE TENSION SYSTEM
31, 36	ELECTRICAL EQUIPMENT

ATTACHMENT SET
MODEL: 9110 9113 9117 9124

REF. PART NO.	PART NO.	DESCRIPTION	9	9	9	9
			1	1	1	1
			1	1	1	2
			0	3	7	4
1	313030-140	ATTACHMENT COMPLETE				X
1	313031	ATTACHMENT COMPLETE (IN ARM TOP COVER STORAGE)				X
1	313032	ATTACHMENT COMPLETE (IN ARM TOP COVER STORAGE)				X X
2	402673-455	ACCESSORY BOX COMPLETE (ALT:402673-454)				X
3	313117	FEED COVER PLATE				X X X
4	503277	NEEDLE THREADER COMPLETE				X X
5	172336	BOBBIN (APOLLO)				X
5	172336-001	BOBBIN (APOLLO)				X
6	312956-001	BOBBIN (CENTAUR)				X X X
7	353364	NEEDLE PACK (ALT:384064)				X X X X
8	313066	THROAT PLATE FOR STRAIGHT SEWING				X X
9	546358	LINT BRUSH.				X X X X
10	313093-451	BUTTONHOLE (ONE-STEP) COMPLETE				X X
11	161172	SEAM AND BLINDSTITCH HEM GUIDE COMPLETE				X X X
12	507664-459	ARM SPOOL PIN THREAD LEAD OFF (SMALL, PLASTIC)				X X
13	313992-451	PRESSER FOOT PLATE (4-STEPS) FOR SEWING BUTTONHOLES				X X
14	381066	PRESSER FOOT PLATE FOR BUTTON SEWING				X X
15	171480	PRESSER FOOT PLATE (SNAP-ON) FOR CORDING AND SLIDE FASTENERS COMPLETE				X X X X
16	381491	BLIND HEM PRESSER FOOT ASSEMBLY				X X
17	171463	SPECIAL PURPOSE PRESSER FOOT PLATE (SNAP-ON)				X X X X
18	384037	DARNING AND EMBROIDERY FOOT COMPLETE (PLASTIC)				X X X
19	161919-111	PRESSER FOOT PLATE (SNAP-ON) FOR STRAIGHT SEWING (ALTERNATE)				X X
19	353628	PRESSER FOOT PLATE (SNAP-ON) FOR STRAIGHT SEWING				X X
20	421588	FINGER GUARD (FOR CONTINENTAL EUROPE)				X X X X
21	171110	BLINDSTITCH GUIDE				X X X X





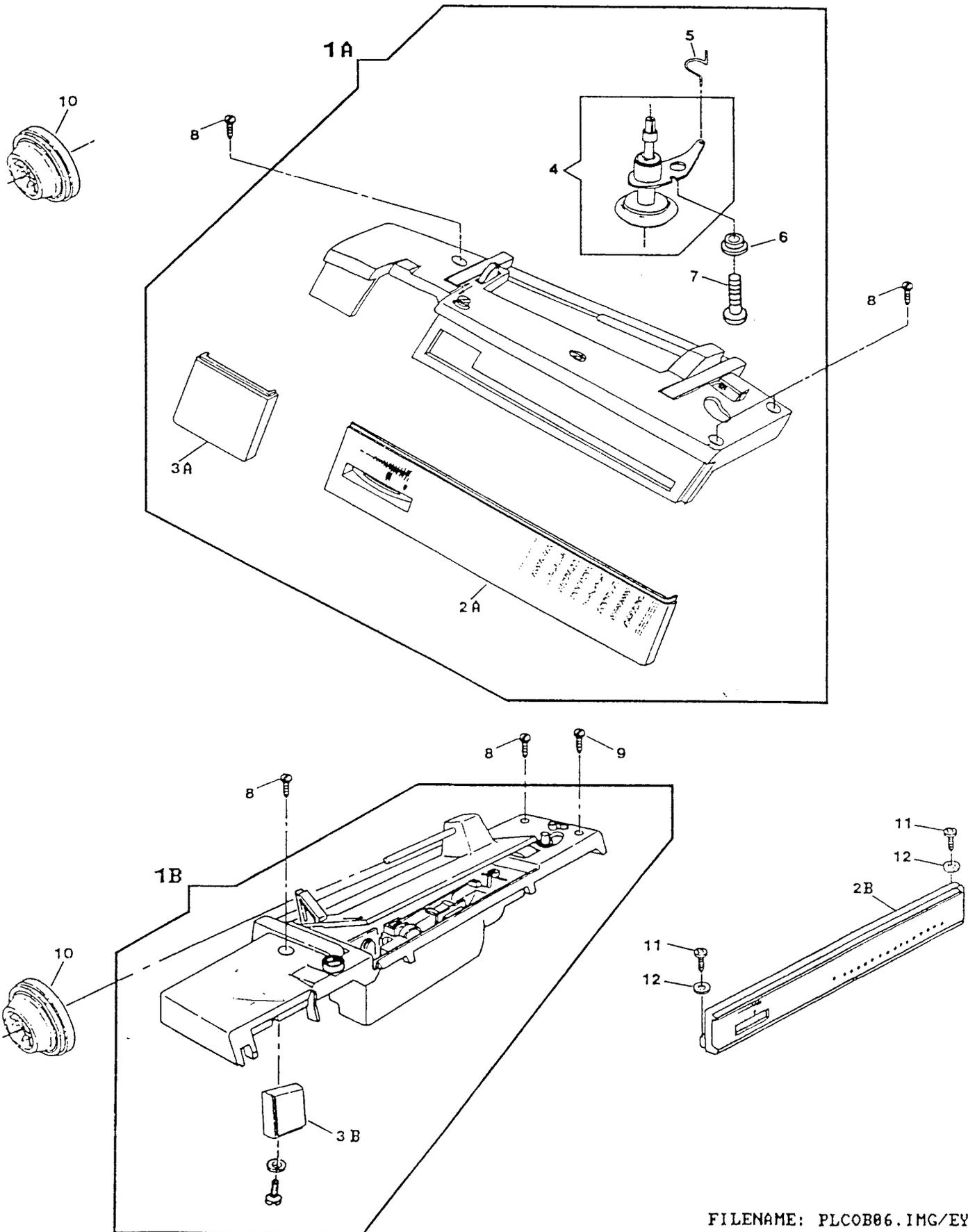
COVERS AND ADD ONS
MODEL: 9110 9113 9117 9124

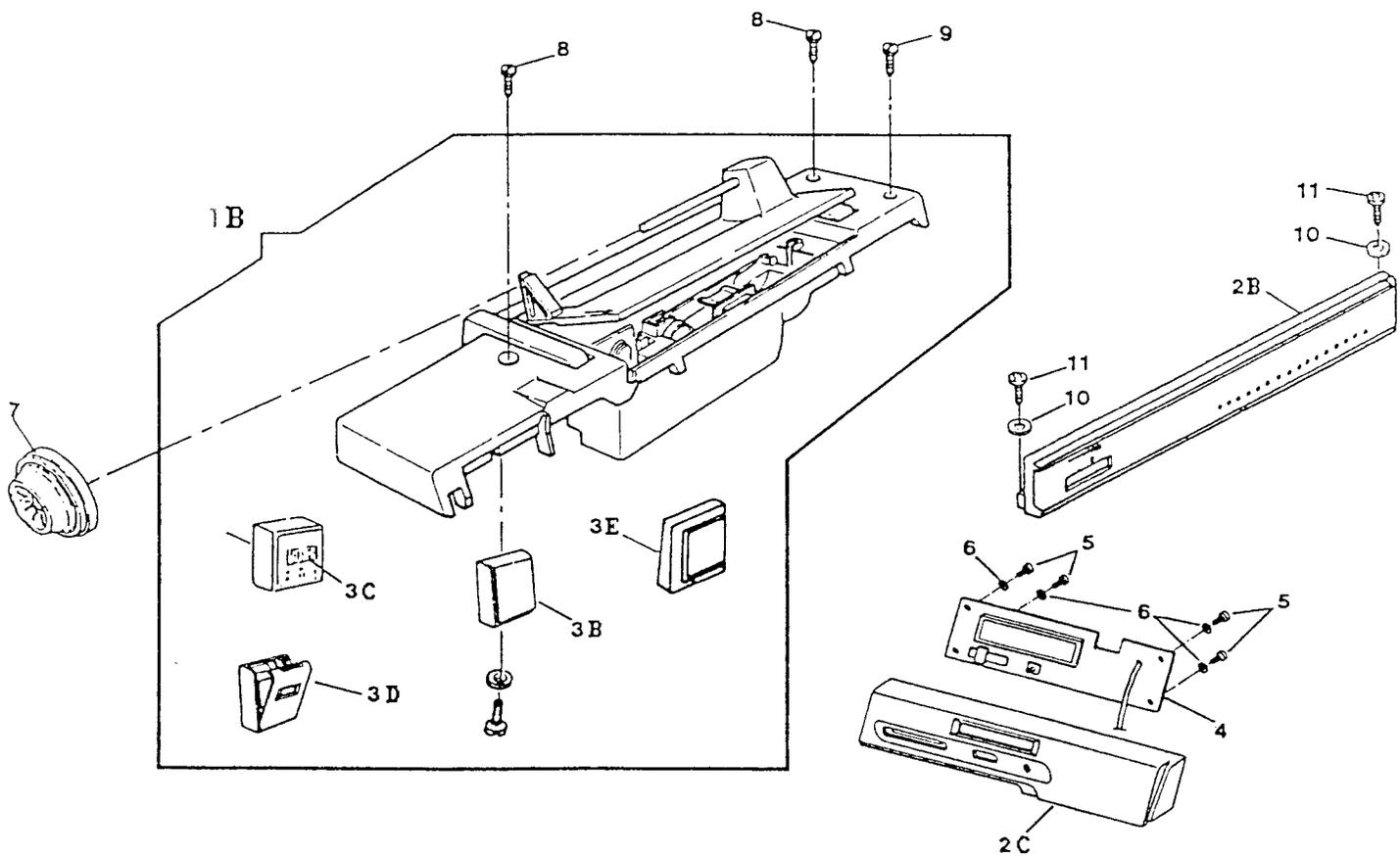
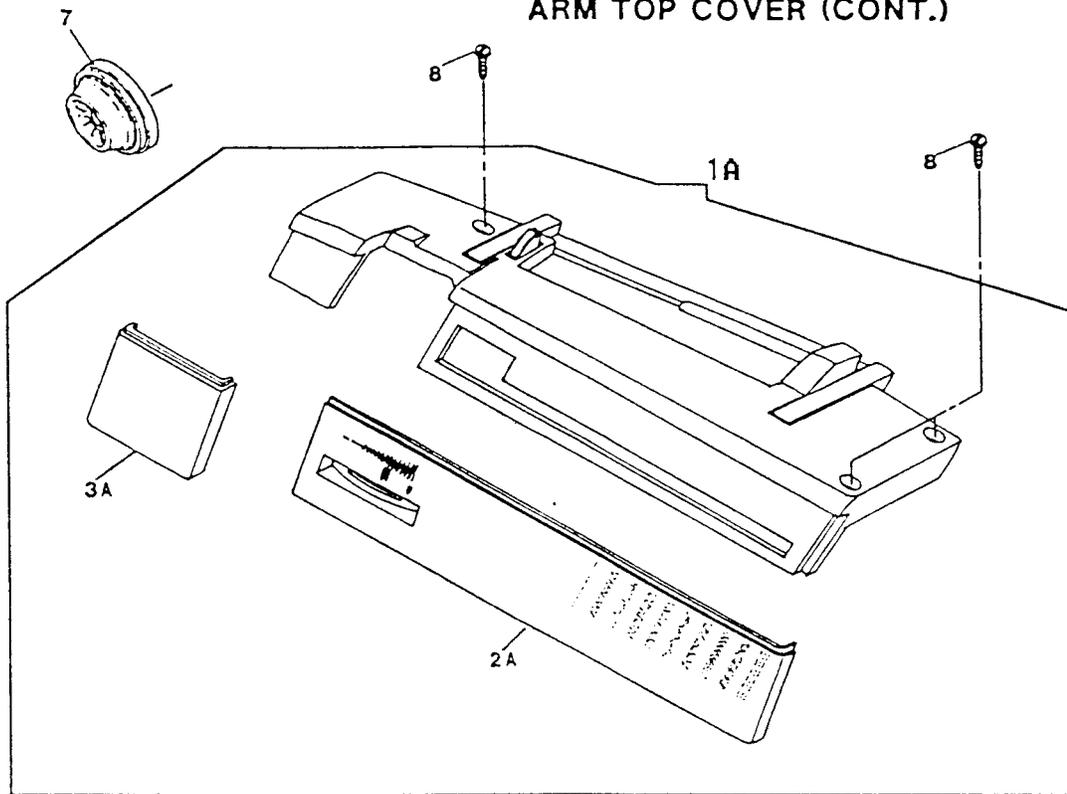
REF. PART NO.	PART NO.	DESCRIPTION	9	9	9	9
			1	1	1	1
			1	1	1	2
			0	3	7	4
1	314666	BED SLIDE ASSEMBLY COMPLETE (APOLLO)	X			
1A	314109	BED SLIDE ASSEMBLY COMPLETE (ALT:313166)		X	X	X
2	314669	BED SLIDE SPRING (RIGHT)	X			
2A	312779	BED SLIDE SPRING (RIGHT)		X	X	X
3	314670	BED SLIDE SPRING (LEFT) ✓	X			
3A	313108	BED SLIDE SPRING (LEFT)		X	X	X
4	313178	BED SLIDE STOP	X			
5	313179	BED SLIDE STOP SPRING	X			
6	313118	CLOTH PLATE SPRING	X	X	X	X
7	313098	THROAT PLATE PLUNGER RETAINING RING	X	X	X	X
8	549426-451	THROAT PLATE PLUNGER WASHER	X	X	X	X
9	312805	THROAT PLATE PLUNGER SPRING	X	X	X	X
10	312804	THROAT PLATE PLUNGER	X	X	X	X
11	113521-451	FACE PLATE MOUNTING SCREW	X	X	X	X
12	314263	FACE PLATE MOUNTING BRACKET	X	X	X	X
13	314259-004	FACE PLATE COMPLETE	X	X	X	X
14	113470-003	THREAD TAKE-UP COVER MOUNTING SCREW	X	X	X	X
15	313049	BED INSERT NUT	X	X	X	X
17	314718-455	THREAD TAKE-UP COVER	X	X	X	X
18	353624	THROAT PLATE LOCATING PIN	X	X	X	X
19	312777	THROAT PLATE FOR ZIG ZAG SEWING	X	X	X	X
20	317361-451	CLOTH PLATE	X	X	X	X
21	312773-452	BED COVER (TUBULAR)	X	X	X	X
22	354633-452	BED COVER (TUBULAR) SCREW	X	X	X	X
23	313052-451	BOTTOM COVER MOUNTING BOLT	X	X	X	X
24	313173-451	BOTTOM COVER MOUNTING BOLT RETAINING NUT	X	X	X	X
25	313909-451	BED LEG CUSHION	X	X	X	X
26	113455-002	BED COVER PLATE (BOTTOM) SCREW	X	X	X	X
27	314712-451	BOTTOM COVER MOUNTING BOLT WASHER	X	X	X	X
28	313177-452	BOTTOM COVER MOUNTING BOLT MOUNTING NUT	X	X	X	X
29A	314774-003	BED COVER (DUAL VOLTAGE FOR U.S.A./ KOREA /GERMANY & H.K)	X	X	X	X
30	317267-451	PATTERN SELECTOR KNOB AND STITCH BALANCE KNOB ASSEMBLY	X	X	X	X
30A	314239-467	PATTERN SELECTOR KNOB AND STITCH BALANCE KNOB KIT ASSEMBLY (FOR EUROPE)	X			
31	317363-451	RING, PATTERN SELECTOR KNOB	X	X	X	X
32	313535	PATTERN SELECTOR KNOB COMPRESSION RING	X	X	X	X
33	317074-451	PATTERN SELECTOR KNOB COVER		X	X	X
33A	314744-476	PATTERN SELECTOR KNOB TRIM PLATE <i>Disc</i>	X			
34A	317247-001	STITCH LENGTH CONTROL PANEL ASSEMBLY WITH GRAPHICS	X	X	X	
34A	317247-002	STITCH LENGTH CONTROL PANEL ASSEMBLY WITH GRAPHICS				X
35A	312657-457	REVERSE FEED CONTROL LEVER KNOB (PLASTIC)	X	X	X	X
36A	314676-464	BIGHT AMPLITUDE CONTROL LEVER KNOB (PLASTIC)	X	X	X	X
36B	312664-465	STITCH LENGTH CONTROL LEVER KNOB (PLASTIC)	X	X	X	X
37	313180	MACHINE HOLD DOWN MOUNTING KIT	X	X	X	X
38	148869	MACHINE LOCATOR PIN	X	X	X	X
39	314153	PATTERN SELECTOR KNOB SPACER	X	X		

ARM TOP COVER
 MODEL: 9110 9113 9117 9124

REF. PART NO.	PART NO.	DESCRIPTION	9	9	9	9
			1	1	1	1
			1	1	1	2
			0	3	7	4
1A	317122-029	ARM TOP COVER ASSEMBLY WITH HANDLE				X
2A	314640-916	CONTROL PANEL WITH GRAPHICS				X
3A	314703-917	CONTROL PANEL EXTENSION WITH GRAPHICS				X
4	314675	BOBBIN WINDER ASSEMBLY				X
5	312897	BOBBIN WINDER LEVER SPRING				X
6	312613	BOBBIN WINDER LEVER HINGE SCREW SHOULDER WASHER				X
7	<i>354927-004</i>	BOBBIN WINDER LEVER HINGE SCREW				X
8	354927-001	ARM TOP COVER MOUNTING SCREW				X
10	179967-456	SPOOL PIN THREAD LEAD-OFF				X

ARM TOP COVER



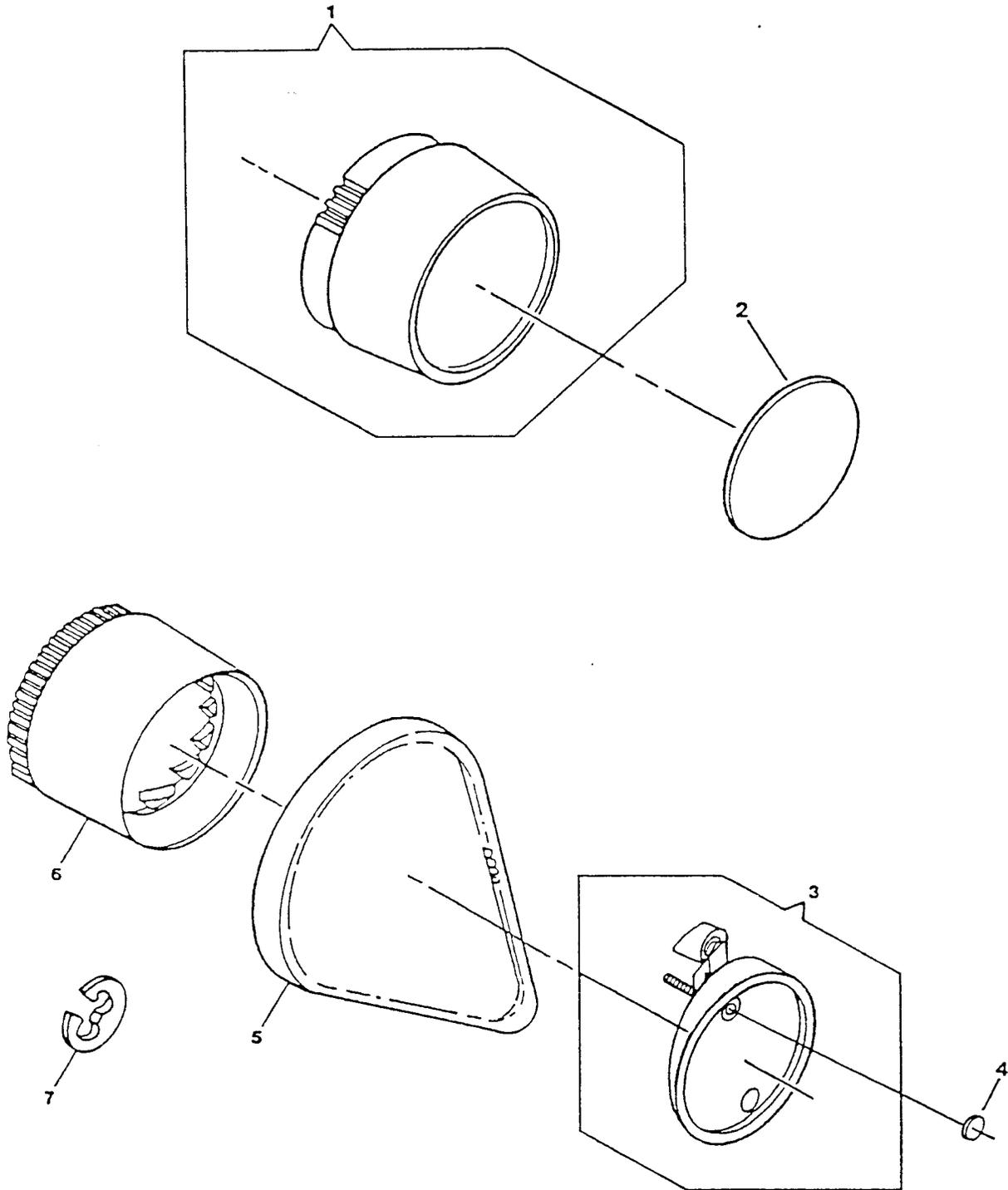


ARM TOP COVER (CONT.)
 MODEL: 9110 9113 9117 9124

REF. PART NO.	NO.	DESCRIPTION	9	9	9	9
			1	1	1	1
			1	1	1	2
			0	3	7	4
1B	314378-029	ARM TOP COVER ASSEMBLY WITH HANDLE		X		
1B	314378-030	ARM TOP COVER ASSEMBLY WITH HANDLE			X	
1B	314378-033	ARM TOP COVER ASSEMBLY WITH HANDLE				X
2B	313128	CONTROL PANEL WITH GRAPHICS (FOR U.S.A.)		X		
2B	317245-001	CONTROL PANEL WITH GRAPHICS		X		
2B	317245-002	CONTROL PANEL WITH GRAPHICS			X	
2B	317245-003	CONTROL PANEL WITH GRAPHICS				X
3E	314390-025	CONTROL PANEL EXTENSION ASSEMBLY	X	X	X	
7	179967-456	SPOOL PIN THREAD LEAD-OFF	X	X	X	
8	354927-001	ARM TOP COVER MOUNTING SCREW	X	X	X	
9	354954-451	ARM TOP COVER MOUNTING SCREW (RIGHT FRONT)	X	X	X	
10	502495-451	CONTROL PANEL SCREW WASHER	X	X	X	
11	113455-001	CONTROL PANEL SCREW	X	X	X	

ARM SHAFT DRIVE SYSTEM
 MODEL: 9110 9113 9117 9124

REF. PART NO.	PART NO.	DESCRIPTION	9	9	9	9
			1	1	1	1
			1	1	1	2
			0	3	7	4
1	113455-001	ARM SHAFT (HORIZONTAL) BUSHING (LEFT & RIGHT) CLAMP SCREW	X	X	X	X
2	312796	ARM SHAFT (HORIZONTAL) BUSHING (LEFT & RIGHT) CLAMP ASSEMBLY	X	X	X	X
3	286580-002	ARM SHAFT ASSEMBLY (CENTAUR)		X	X	X
3	313111-002	ARM SHAFT ASSEMBLY (APOLLO)	X			
4	603975-011	BELT (ROTATING HOOK DRIVE) ALT:603975-012	X	X	X	X
5	313195	IDLER BRACKET ASSEMBLY	X	X	X	X
6	314041-451	ROTATING HOOK DRIVING BELT TENSION ADJUSTER SCREW WASHER	X	X	X	X
7	113455-002	ROTATING HOOK DRIVING BELT TENSION ADJUSTER SCREW	X	X	X	X
8	313153	HAND WHEEL RETAINING RING	X			
9	314010	ROTATING HOOK DRIVE SHAFT SUB-ASSEMBLY	X	X	X	X
10	313816	ROTATING HOOK DRIVE SHAFT BUSHING (SELF-ALIGNING) CLAMP	X	X	X	X
11	314013-451	ROTATING HOOK DRIVE SHAFT BUSHING (SELF-ALIGNING) CLAMP SCREW AND ARM SHAFT BUSHING CLAMP SCREW LOCK WASHER	X	X	X	X



HAND WHEEL
 MODEL: 9110 9113 9117 9124

REF. PART NO.	NO.	DESCRIPTION	9	9	9	9
			1	1	1	1
			1	1	1	2
			0	3	7	4
1	312991-460	HAND WHEEL ASSEMBLY				X X X
2	314743-907	HAND WHEEL COVER (CENTAUR)				X X X
3	313185-453	HAND WHEEL CLUTCH PLATE ASSEMBLY				X
4	314733-920	HAND WHEEL ACCESS PLATE (APOLLO)				X
5	312628-001	BELT (MOTOR DRIVE) ALT:979285-001				X X X X
6	312625-453	HAND WHEEL				X
7	313153	HAND WHEEL RETAINING RING				X

COAXIAL PRESSER BAR SYSTEM FOR NEW HEAD END
 MODEL: 9110 9113 9117 9124

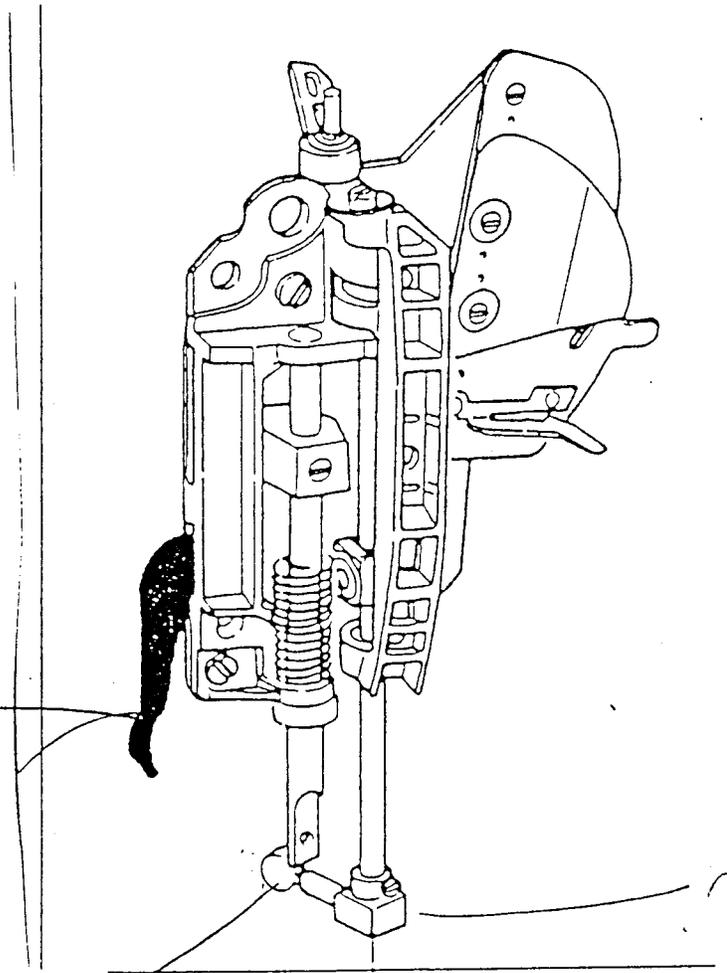
REF. PART NO.	PART NO.	DESCRIPTION	9	9	9	9
			1	1	1	1
			1	1	1	2
			0	3	7	4
1	314695-002	HEAD END MODULE (APOLLO)	X			
1	314700-004	HEAD END MODULE		X	X	X
2	314591	FACE PLATE MOUNTING BRACKET	X	X	X	X
3	313955-451	HEAD END MOUNTING PLATE LOCK WASHER	X	X	X	X
4	113455-012	HEAD END MOUNTING PLATE SCREW	X	X	X	X
5	163706-451	PRESSER FOOT SHANK (SNAP-ON)	X	X	X	X
6	313150	PRESSER FOOT PLATE (SNAP-ON) FOR ZIG-ZAG SEWING	X	X	X	X
7	113531-451	PRESSER FOOT THUMB SCREW	X			
8	314627-451	PRESSER FOOT THUMB SCREW & BOBBIN WINDER THREAD HOLDER		X	X	X
9	113455-001	NEEDLE THREAD TENSION RELEASE LEVER HINGE SCREW	X	X	X	X
10	314041-451	NEEDLE THREAD TENSION RELEASE LEVER RETAINING WASHER	X	X	X	X
11	314589	NEEDLE THREAD TENSION RELEASE LEVER ASSEMBLY	X	X	X	X
12	N2045	NEEDLE (SIZE NO.14)	X	X	X	X
13	113408-001	NEEDLE BAR DRIVING ARM BALL JOINT SCREW	X	X	X	X
14	931929-004	NEEDLE BAR DRIVING ARM BALL JOINT SCREW WASHER	X	X	X	X
15	314690	THREAD PINCH PLATE	X	X	X	X

4552, 7028, 9005, 5008, 9010

9110, 9113, 9117, 9124, 9143

2130, 33, 9137

Head end
module



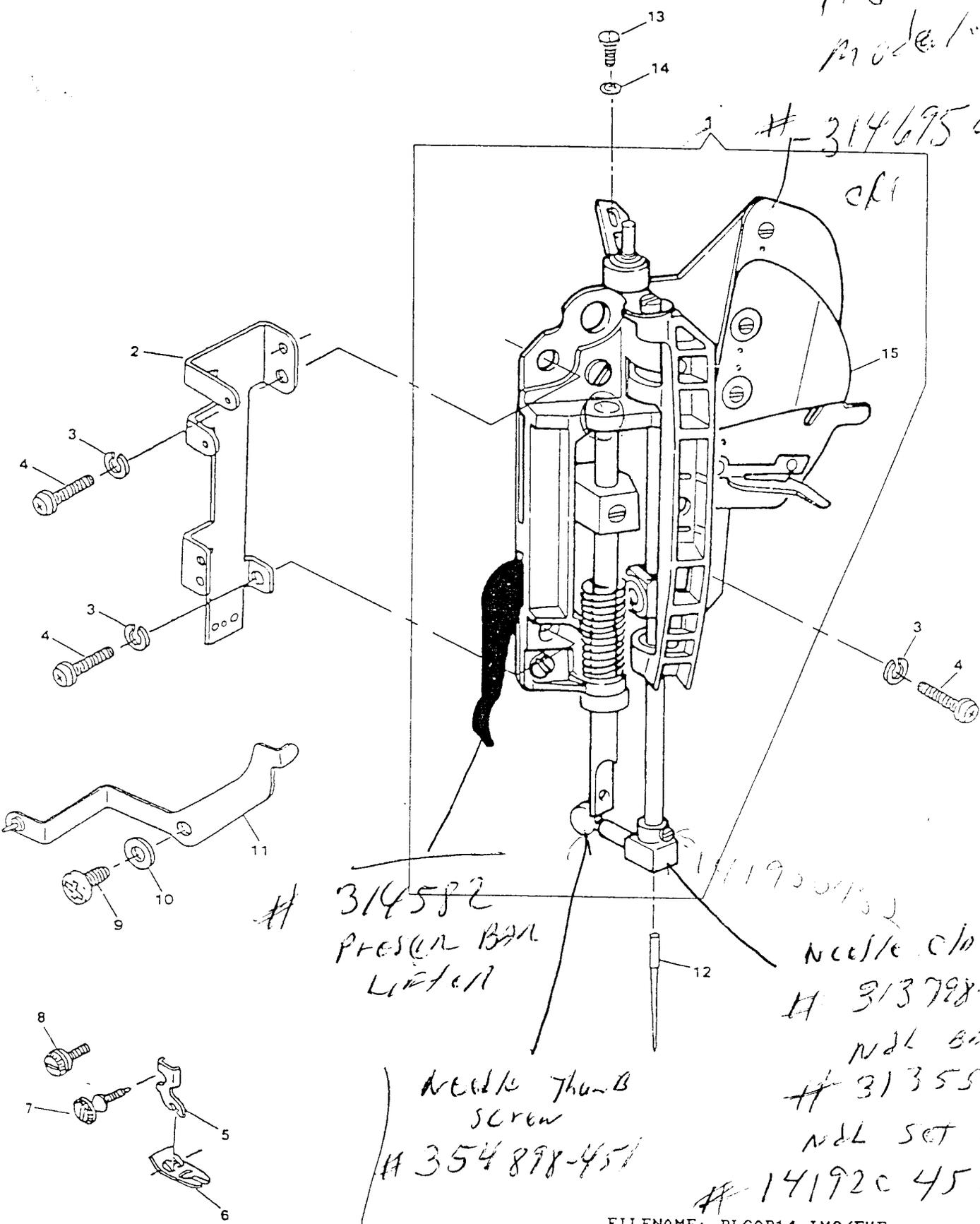
314582
Pressure
Bar lifter

needle thumb screw
354898-451

needle
clamp body
313798-970
needle bar gib
313552

needle stop screw
141920-452

HEAL END
 Model 1



314695
 cpi

314582
 PRESSER BAR
 Lifter

Needle Thumb
 screw

354898-451

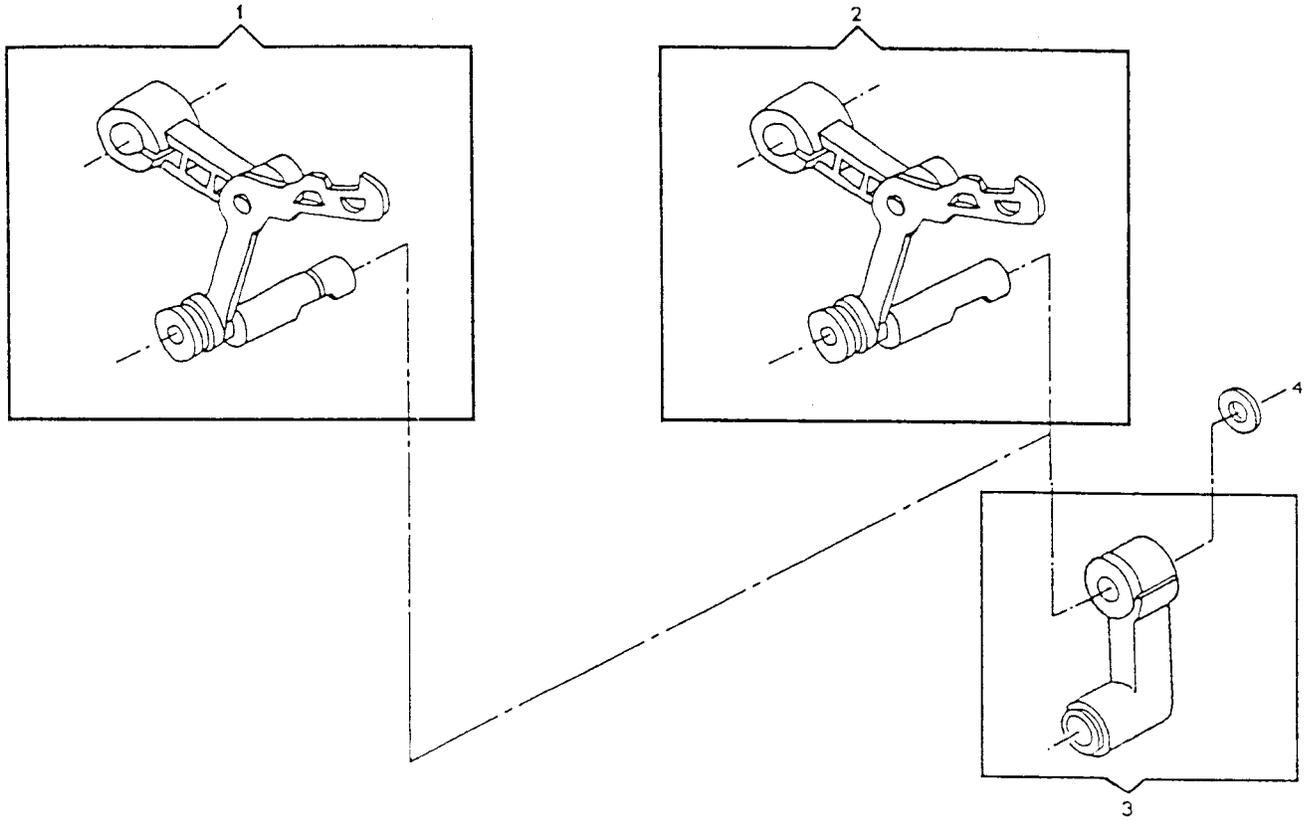
Needle clamp
 # 313798-970

NDL BAR C

313552

NDL SET SLIP

141920 452



NEEDLE BAR & THREAD TAKE-UP FOR NEW HEAD END
 MODEL: 9110 9113 9117 9124

REF. PART
 NO. NO.

DESCRIPTION

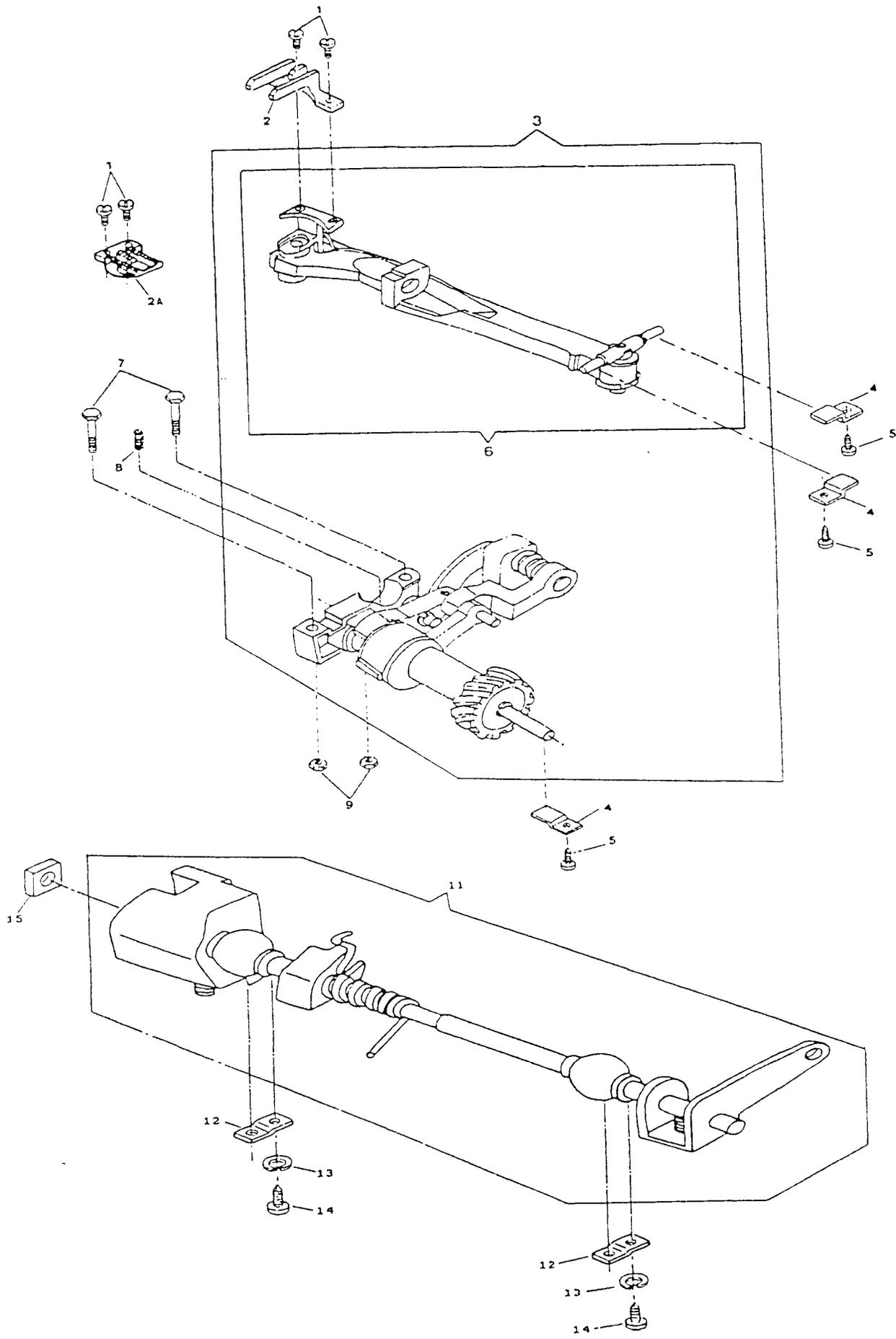
9 9 9 9
 1 1 1 1
 1 1 1 2
 0 3 7 4

1	314694	THREAD TAKE-UP COMPLETE (APOLLO)
2	314699	THREAD TAKE-UP COMPLETE (CENTAUR)
3	137528-901	NEEDLE BAR CONNECTING LINK
4	314071	WASHER, THREAD TAKE-UP LEVER

X
 X X X
 X X X X
 X X X X

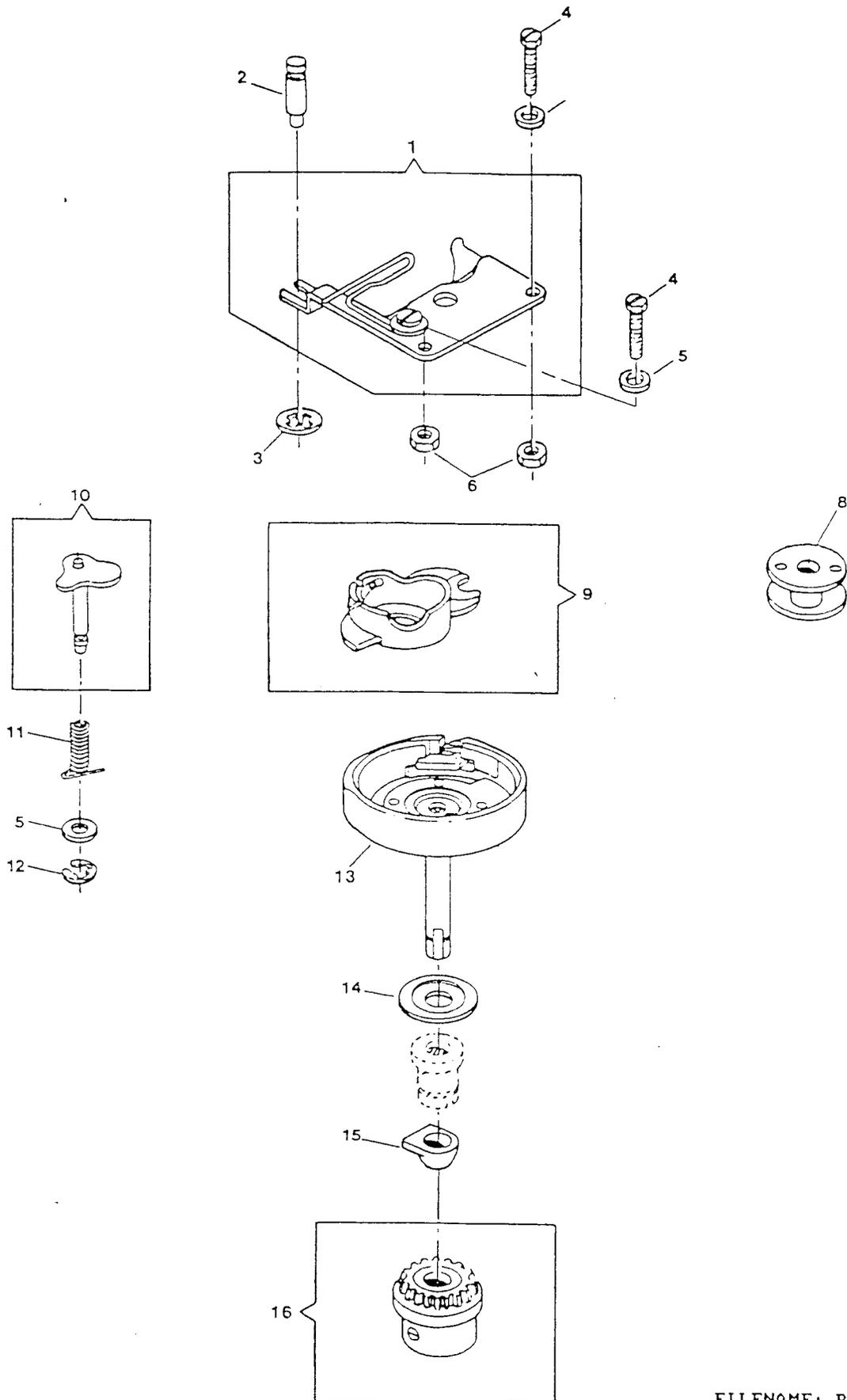
ALPHA FEED
 MODEL: 9110 9113 9117 9124

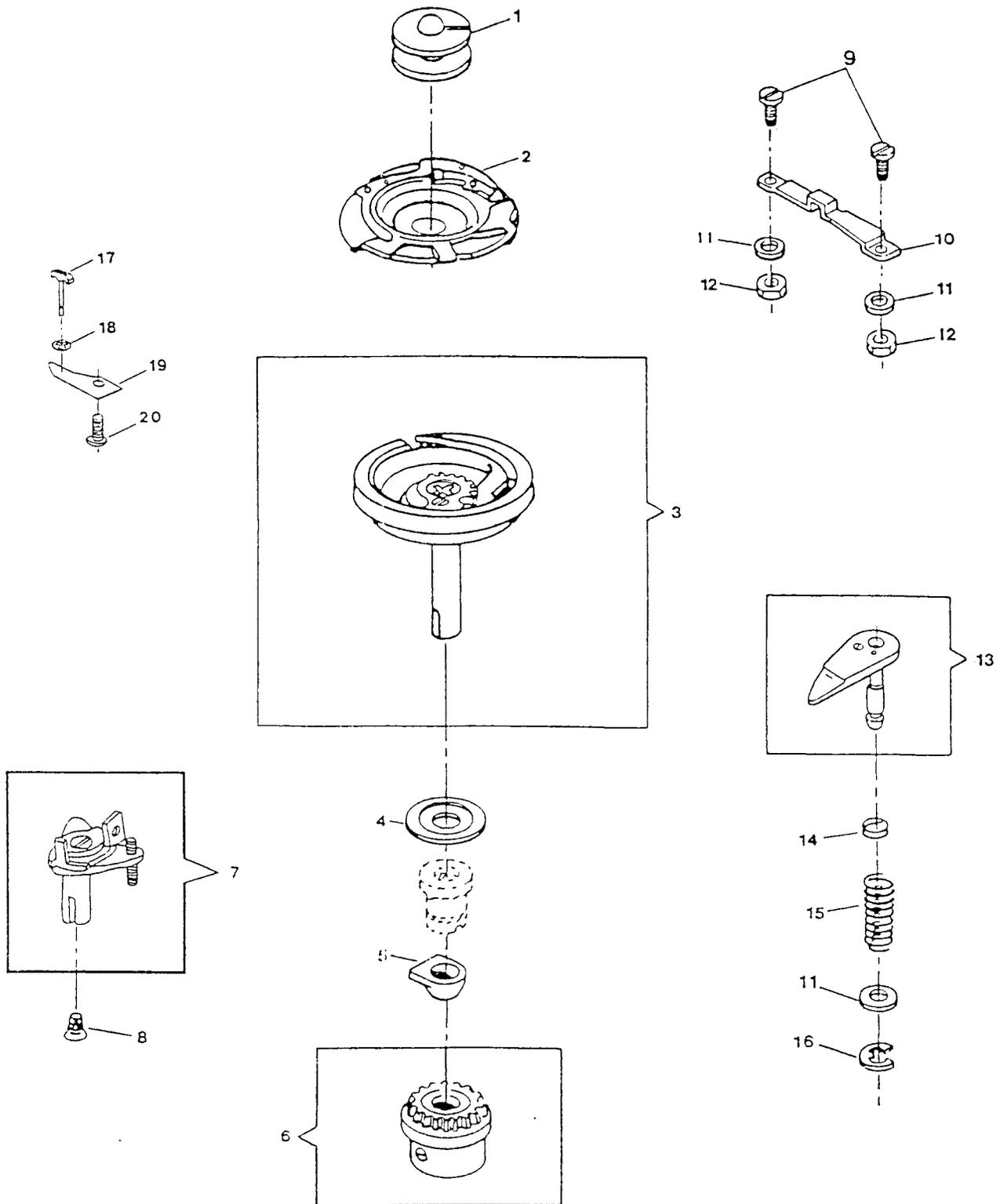
REF. PART NO.	PART NO.	DESCRIPTION	9	9	9	9
			1	1	1	1
			1	1	1	2
			0	3	7	4
1	141920-452	FEED DOG SCREW	X	X	X	X
2	313021	FEED DOG (ZINC) (CENTAUR)		X	X	X
2A	312679	FEED DOG (APOLLO) ALT:313171	X			
3	314140-001	ALPHA FEED MODULE		X	X	X
3	314140-002	ALPHA FEED MODULE ALT:313011	X			
4	312851	FEED BAR PIVOT HINGE STUD CLAMP	X	X	X	X
5	113455-003	CLAMP SCREW	X	X	X	X
6	314141	FEED BAR ASSEMBLY	X	X	X	X
7	354921-451	FEED & ROTATING HOOK DRIVE SHAFT BEARING BLOCK SCREW	X	X	X	X
8	314070	ROTATING HOOK DRIVE SHAFT BUSHING SPRING	X	X	X	X
9	514674-451	FEED & ROTATING HOOK DRIVE SHAFT BEARING BLOCK MOUNTING SCREW NUT	X	X	X	X
11	313133	FEED REGULATOR SHAFT ASSEMBLY	X	X	X	X
12	313816	FEED REGULATOR SHAFT BUSHING (SELF-ALIGNING) CLAMP	X	X	X	X
13	314013-451	FEED REGULATOR SHAFT BUSHING (SELF-ALIGNING) CLAMP SCREW LOCK WASHER	X	X	X	X
14	113455-001	FEED REGULATOR SHAFT BUSHING (SELF-ALIGNING) CLAMP SCREW	X	X	X	X
15	511030	FEED REGULATOR SLIDE BLOCK	X	X	X	✓



HOOK SYSTEM (APOLLO)
 MODEL: 9110 9113 9117 9124

REF. NO.	PART NO.	DESCRIPTION	9	9	9	9
			1	1	1	1
			1	1	1	2
			0	3	7	4
1	313089	ROTATING HOOK BOBBIN CASE POSITION PLATE ASSEMBLY				X
1	314066	ROTATING HOOK BOBBIN CASE POSITION PLATE ASSEMBLY (ALT:313089)				X
2	312603	ROTATING HOOK BOBBIN CASE POSITION PLATE HOLD DOWN STUD				X
3	313161	ROTATING HOOK BOBBIN CASE POSITION PLATE HOLD DOWN STUD RETAINER				X
4	113439-451	ROTATING HOOK BOBBIN CASE POSITION PLATE SCREW				X
5	313190-451	ROTATING HOOK BOBBIN CASE POSITION PLATE SCREW WASHER				X
6	313945-451	ROTATING HOOK BOBBIN CASE POSITION PLATE SCREW NUT				X
7	446138	ROTATING HOOK BOBBIN CASE POSITION PLATE SCREW WASHER (RIGHT)				X
8	172336-001	ROTATING HOOK BOBBIN (PLASTIC)				X
9	421325	ROTATING HOOK BOBBIN CASE COMPLETE				X
10	312846	ROTATING HOOK BOBBIN CASE RETAINING PLATE SUB-ASSEMBLY				X
11	312607	ROTATING HOOK BOBBIN CASE RETAINING PLATE STUD SPRING				X
12	313783	ROTATING HOOK BOBBIN CASE RETAINING PLATE STUD RETAINING RING				X
13	447926-932	ROTATING HOOK COMPLETE				X
14	314049-001	ROTATING HOOK FLANGED BUSHING THRUST WASHER				X
15	312847	ROTATING HOOK FLANGED BUSHING WASHER				X
16	314012	ROTATING HOOK BEVEL GEAR COMPLETE				X
16	314101-900	ROTATING HOOK BEVEL GEAR COMPLETE (ALT:314012)				X





HOOK AND BOBBIN WINDING SYSTEM (CENTAUR)

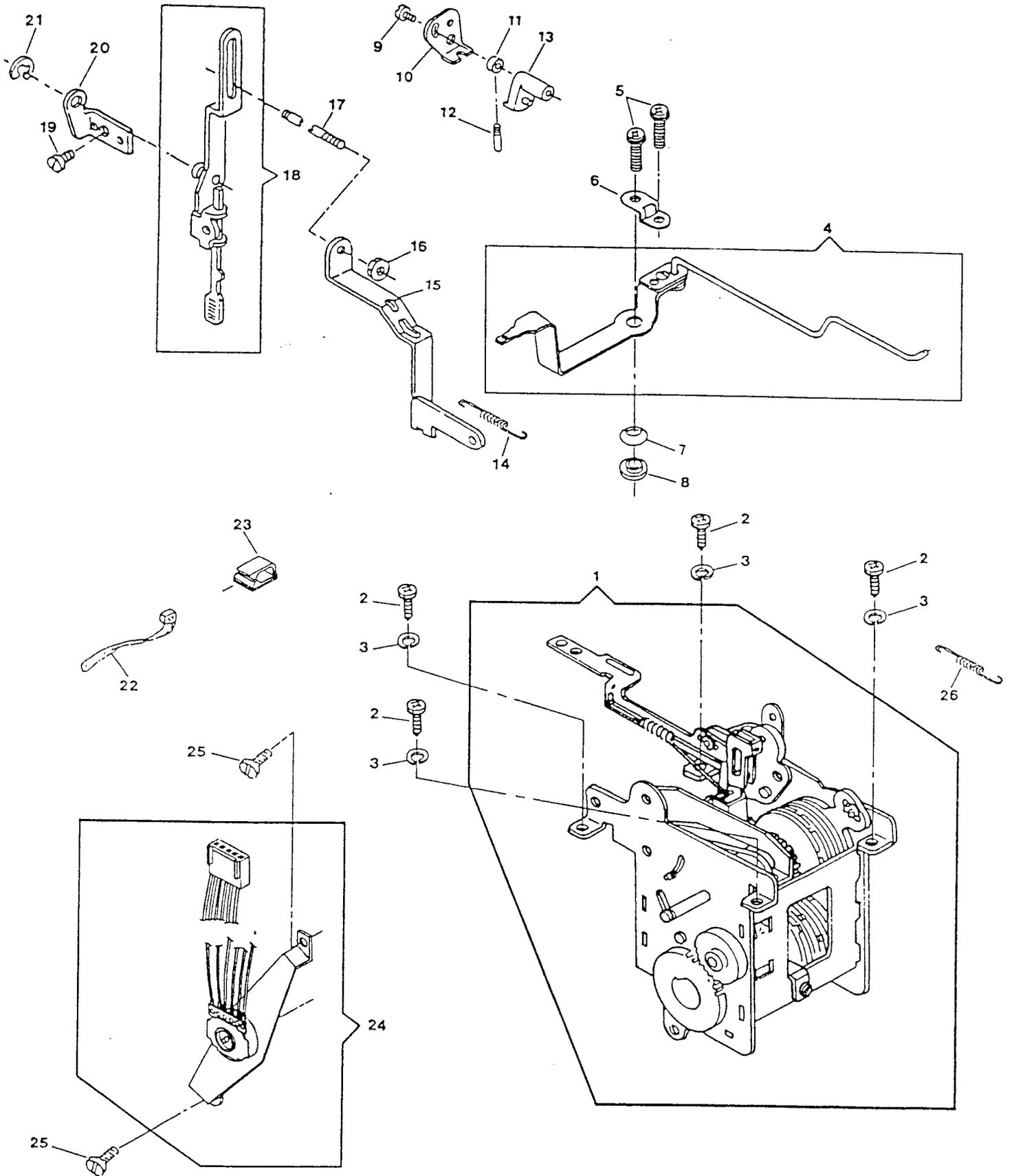
MODEL:9110 9113 9117 9124

REF. PART NO. NO.	DESCRIPTION	9 9 9 9 1 1 1 1 1 1 1 2 0 3 7 4
1	312956-001 BOBBIN	
2	314662-001 ROTATING HOOK BOBBIN CASE COMPLETE (USED WITH 314025)	X X X
3	313183-002 ROTATING HOOK ASSEMBLY	X X X
4	314049-001 ROTATING HOOK FLANGED BUSHING THRUST WASHER	X X X
5	312847 ROTATING HOOK FLANGED BUSHING WASHER	X X X
6	314012 ROTATING HOOK BEVEL GEAR COMPLETE	X X X
7	313956 BED SLIDE ACTUATING LEVER ASSEMBLY	X X X
8	354929-451 BED SLIDE ACTUATING LEVER STUD SCREW	X X X
9	113439-451 ROTATING HOOK BOBBIN CASE POSITION PLATE SCREW	X X X
10	312738 ROTATING HOOK BOBBIN CASE POSITION PLATE	X X X
11	313190-451 ROTATING HOOK BOBBIN CASE POSITION PLATE SCREW WASHER	X X X
12	313945-451 ROTATING HOOK BOBBIN CASE POSITION PLATE SCREW NUT	X X X
13	313088 ROTATING HOOK BOBBIN CASE RETAINING PLATE COMPLETE	X X X
14	313930 ROTATING HOOK BOBBIN CASE RETAINING PLATE RETURN SPRING	X X X
15	314072 ROTATING HOOK BOBBIN CASE RETAINING PLATE SPRING	X X X
16	312702 ROTATING HOOK BOBBIN CASE RETAINING PLATE SPRING RETAINING RING	X X X
17	314766 BED SLIDE STOP PIN	X X X
18	314768 STOP PIN RETAINING RING	X X X
19	314767 BED SLIDE STOP PIN SPRING	X X X
20	113455-006 SCREW	X X X

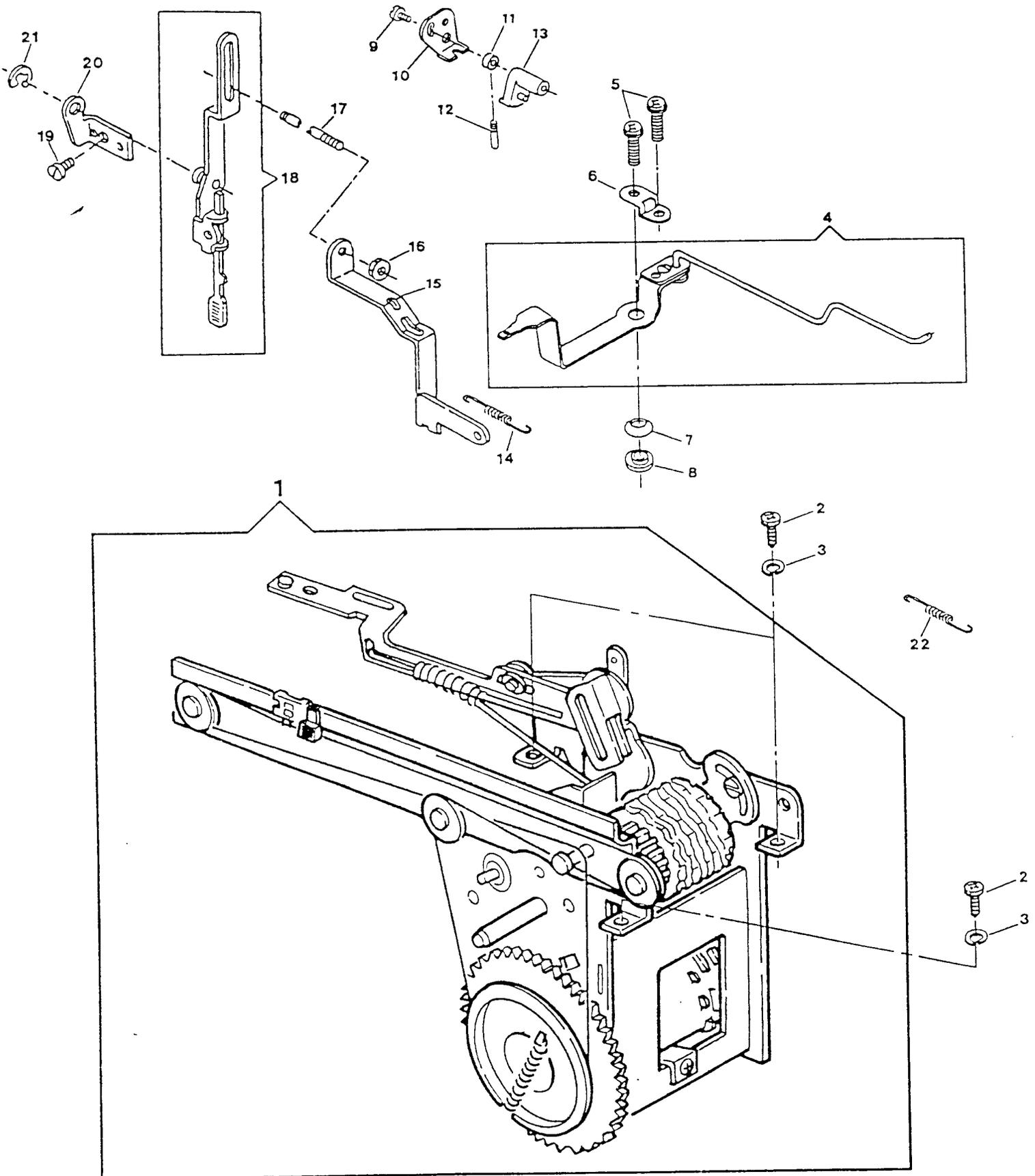
PATTERN, STITCH LENGTH CONTROL & CAM CONTROLLED FEED (CONT.)
 MODEL:9110,9113,9117,9124

REF. PART NO.	PART NO.	DESCRIPTION	9	9	9	9
			9	9	9	9
			1	1	1	1
			1	1	1	2
			0	3	7	4
1	314601-001	PATTERN SELECTOR MODULE				X
2	113455-001	DISC SELECTOR MECHANISM MOUNTING PLATE SCREW (LEFT AND RIGHT)				X
3	314013-451	DISC SELECTOR MECHANISM MOUNTING PLATE SCREW (LEFT AND RIGHT) LOCK				X
4	314607	BIGHT AMPLITUDE CONTROL LEVER ASSEMBLY				X
5	113455-014	BIGHT AMPLITUDE CONTROL LEVER STOP ADJUSTMENT SCREW				X
6	314683	BIGHT AMPLITUDE CONTROL LEVER RETAINER				X
7	353457	BIGHT AMPLITUDE CONTROL LEVER FRICTION WASHER				X
8	314611	BIGHT AMPLITUDE CONTROL LEVER SHOULDER WASHER				X

PATTERN STITCH LENGTH CONTROL AND CAM CONTROLLED FEED



PATTERN STITCH LENGTH CONTROL AND CAM CONTROLLED FEED (CONT.)



PATTERN, STITCH LENGTH CONTROL & CAM CONTROLLED FEED (CONT.)
 MODEL:9110 9113 9117 9124

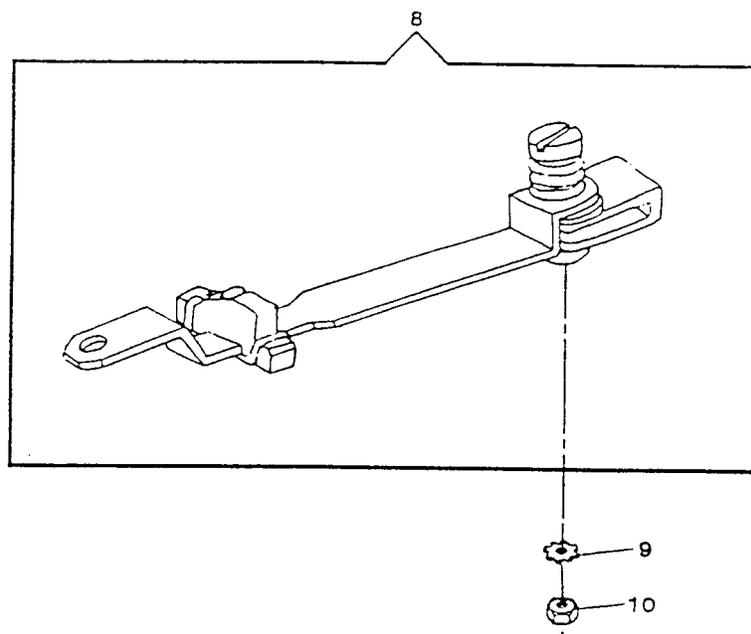
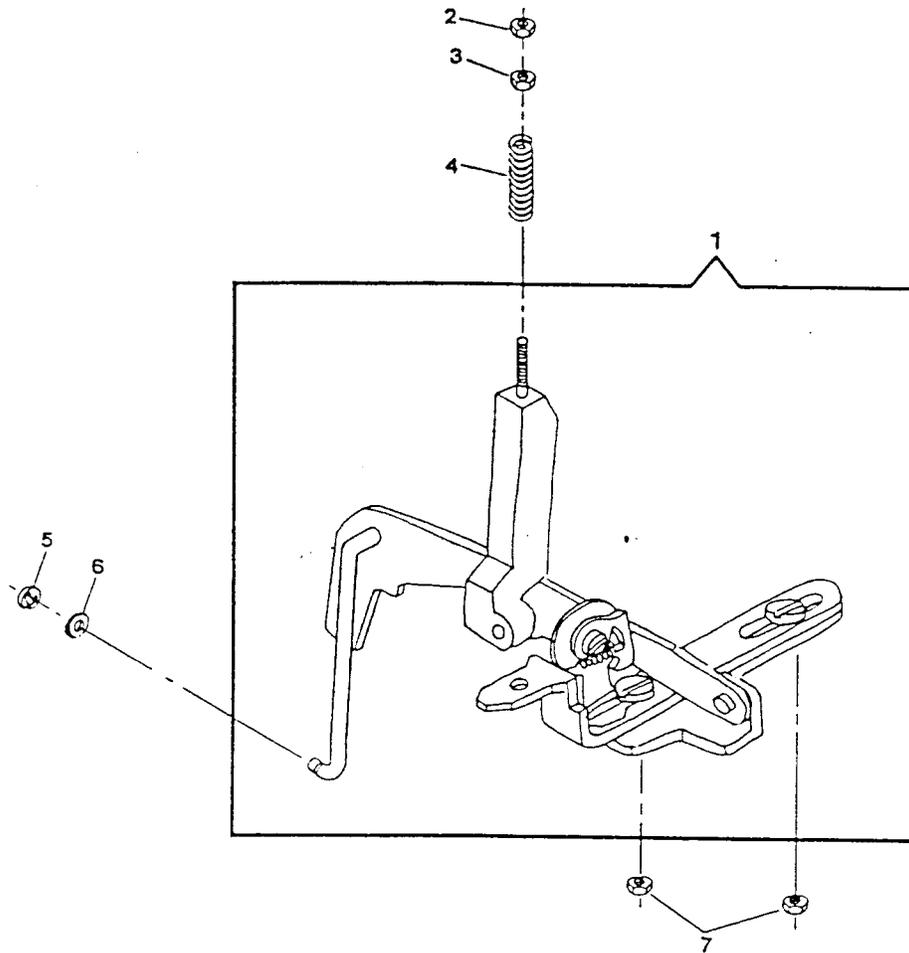
REF. PART NO.	PART NO.	DESCRIPTION	9	9	9	9
			1	1	1	1
			1	1	1	2
			0	3	7	4
1	314601-004	PATTERN SELECTOR MODULE				
1	314613-001	PATTERN SELECTOR MODULE				X
1	317268-001	PATTERN SELECTOR MODULE				X
2	113455-001	DISC SELECTOR MECHANISM MOUNTING PLATE SCREW (LEFT AND RIGHT)				X
3	314013-451	DISC SELECTOR MECHANISH MOUNTING PLATE SCREW (LEFT AND RIGHT) LOCK WASHER				X X X
4	314607	BIGHT AMPLITUDE CONTROL LEVER ASSEMBLY				X X X
5	113455-014	BIGHT AMPLITUDE CONTROL LEVER STOP ADJUSTMENT SCREW				X X X
6	314683	BIGHT AMPLITUDE CONTROL LEVER RETAINER				X X X
7	353457	BIGHT AMPLITUDE CONTROL LEVER FRICTION WASHER				X X X
8	314611	BIGHT AMPLITUDE CONTROL SHOULDER WASHER				X X X
9	544211-010	BUTTONHOLE ACTUATOR CAM ADJUSTING BRACKET SCREW				X X
10	313073	BUTTONHOLE ACTUATOR CAM ADJUSTING BRACKET				X X
11	313022	BUTTONHOLE FOLLOWER HUB RELEASE				X X
12	313023	BUTTONHOLE FOLLOWER HUB RELEASE PIN				X X
13	313025	BUTTONHOLE ACTUATOR CAM				X X
14	313799	BUTTONHOLE ACTUATOR ADJUSTING ROD SPRING				X X
15	313005	BUTTONHOLE DISC CONTROL CATCH RELEASE LINK				X X
16	314763-451	BUTTONHOLE TRIPPING ROD ADJUSTING AND LOCKING NUT				X X
17	312982	BUTTONHOLE TRIPPING LEVER ROD				X X
18	312994-002	BUTTONHOLE KICK-OUT TRIPPING ROD LEVER ASSEMBLY				X X
19	354877-451	BUTTONHOLE PIVOT LEVER SCREW				X X
20	313392	BUTTONHOLE LEVER PIVOT				X X
21	312685	BUTTONHOLE KICK-OUT SHAFT TRIPPING LEVER RETAINING RING				X X

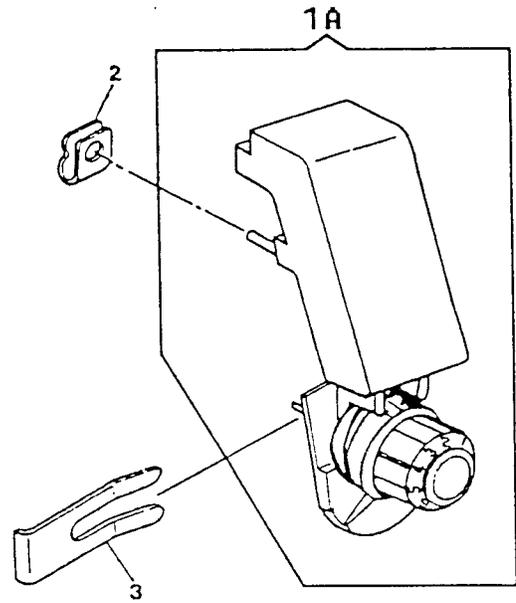
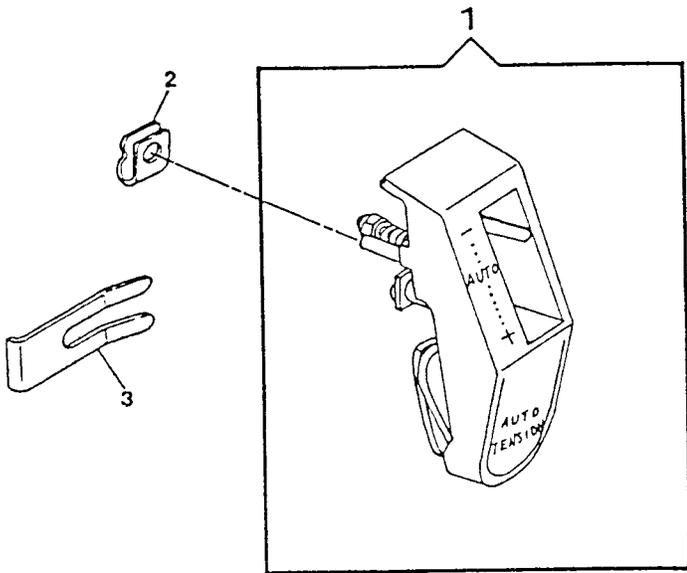


PATTERN, STITCH LENGTH CONTROL & CAM CONTROLLED FEED (CONT.)
 MODEL: 9110 9113 9117 9124

REF. PART NO.	PART NO.	DESCRIPTION	9	9	9	9
			1	1	1	1
			1	1	1	2
			0	3	7	4
1	314300-001	FEED REVERSE MECHANISM	X	X		
1	314300-002	FEED REVERSE MECHANISM			X	X
2	514674-451	CAM CONTROLLED FEED CONNECTING ROD LOCKING NUT	X	X	X	X
3	312645-451	CAM CONTROLLED FEED DISC FOLLOWER ACTUATOR CONNECTING ROD ADJUSTING	X	X	X	X
4	313143	CAM CONTROLLED FEED DISC FOLLOWER ACTUATOR CONNECTING ROD SPRING	X	X	X	X
5	312702	FEED LEVER CONNECTING LINK RETAINING RING	X	X	X	X
6	313891	CAM CONTROLLED FEED CONNECTING ROD STABILIZING WASHER	X	X	X	X
7	514674-451	REVERSE FEED CONTROL LEVER GUIDE SCREW NUT	X	X	X	X
8	313569	STITCH LENGTH CONTROL LEVER ASSEMBLY	X	X	X	X
9	313172-451	STITCH LENGTH CONTROL LEVER PIVOT LOCK WASHER	X	X	X	X
10	313177-451	STITCH LENGTH CONTROL LEVER NUT	X	X	X	X

PATTERN STITCH LENGTH CONTROL AND CAM CONTROLLED FEED (CONT.)





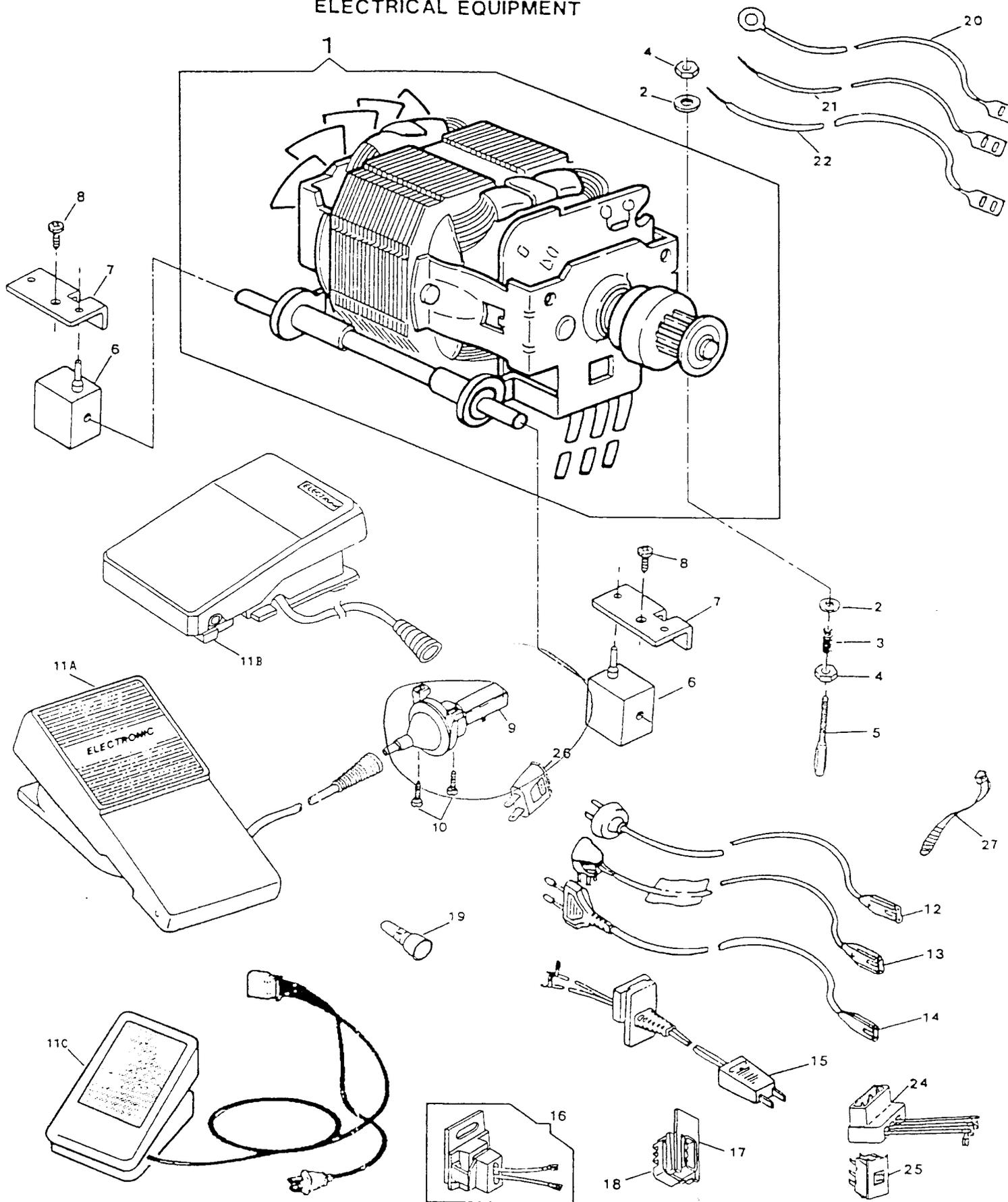
DEMAND RESPONSIVE NEEDLE TENSION SYSTEM
MODEL: 9110 9113 9117 9124

REF. PART NO. NO.	DESCRIPTION	9 9 9 9
		1 1 1 1
		1 1 1 2
		0 3 7 4
1 317011-007	THREAD TENSION MODULE	X X X X
2 313199	TENSION COVER MOUNTING RETAINER	X X X X
3 313047	TENSION COVER RETAINING CLIP	X X X X

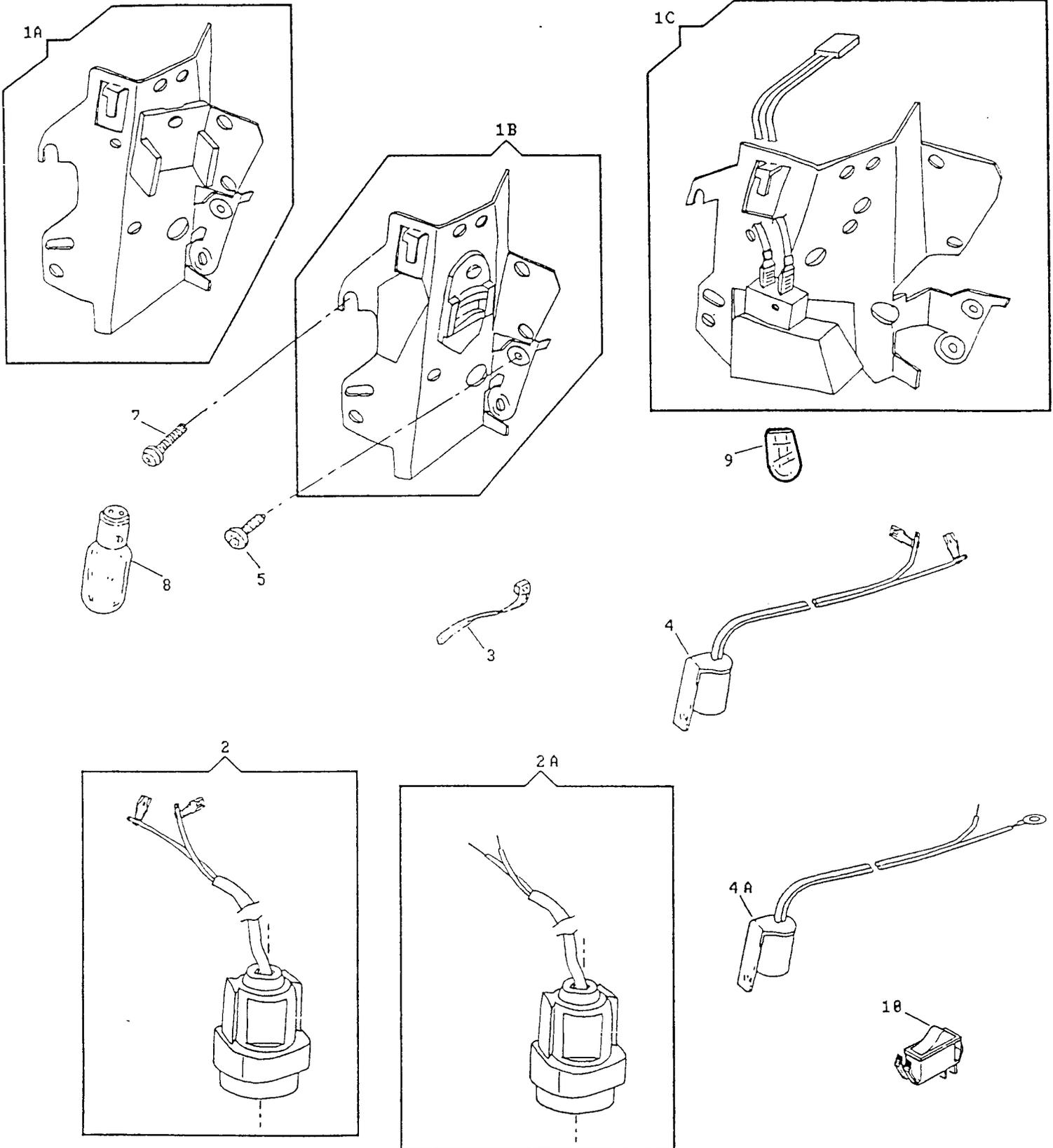
ELECTRICAL EQUIPMENT
MODEL: 9110 9113 9117 9124

REF. PART NO.	NO.	DESCRIPTION	9	9	9	9
			1	1	1	1
			1	1	1	2
			0	3	7	4
	<i>31737506</i>					
1	317279-001	MOTOR COMPLETE (DUAL VOLTAGE FOR U.S.A. /KOREA /GERMANY & H.K.)	X	X	X	X
1	988529-009	MOTOR COMPLETE (CAT. NO. TA4-8) (120V) (NATIONAL MOTOR)	X	X	X	X
1	988529-010	MOTOR COMPLETE (CAT. NO. TA4-11) 220/240VOLT	X	X	X	X
2	37969	MOTOR ADJUSTING STUD NUT WASHER	X	X	X	X
3	314058	MOTOR BELT TENSION SPRING	X	X	X	X
4	53646	MOTOR ADJUSTING STUD NUT	X	X	X	X
5	988653-001	MOTOR ADJUSTING STUD	X	X	X	X
6	979329-001	RESILIENT MOUNT	X	X	X	X
7	988651-001	CLIP	X	X	X	X
8	113470-004	MOTOR MOUNTING SCREW	X	X	X	X
9	988549-005	PNEUMATIC TRANSDUCER	X	X	X	X
10	113444-003	PNEUMATIC TRANSDUCER MOUNTING SCREW	X	X	X	X
11A	979583-001	PNEUMATIC CONTROLLER ASSEMBLY <i>Car Controller</i>	X	X	X	X
11C	137904	FOOT CONTROLLER W/PLUG ASS'Y (240V) (U.K.)	X	X	X	X
11C	317281-001	CARBON PILE FOOT CONTROLLER ASSEMBLY (230V) (EUROPE) (FOR 9008N304) (DUAL VOLTAGE FOR U.S.A. /KOREA /GERMANY & H.K.)	X	X	X	X
11C	319003-005	TRIAC FOOT CONTROLLER (DUAL VOLTAGE) (FOR U.S.A. ONLY)	X	X	X	X
12	988638-004	APPLIANCE COUPLER (240VOLT) FOR AUSTRALIA	X	X	X	X
13	137902	POWER PLUG WITH CORD ASS'Y (240V FOR U.K.)	X	X	X	X
15	988557-001	CORD COMPLETE (120V)	X	X	X	X
16	988657-003	CORD WITH RECEPTACLE (FOR EUROPE/U.K./AUSTRALIA)	X	X	X	X
17	317282-901	HOLDER (220V/240V) (FOR 9008N304) (DUAL VOLTAGE FOR U.S.A. /KOREA /GERMANY & H.K.)	X	X	X	X
24	317283-001	RECEPTACLE W/LEAD ASS'Y (DUAL VOLTAGE FOR U.S.A. /KOREA /GERMANY & H.K.)	X	X	X	X
25	317284-901	VOLTAGE SELECTOR SWITCH (DUAL VOLTAGE FOR U.S.A. /KOREA /GERMANY & H.K.)	X	X	X	X
26	137547	ADAPTOR (DUAL VOLTAGE FOR U.S.A. /KOREA /GERMANY & H.K.)	X	X	X	X
27	540899	TY-WRAP SELF LOCKING (DUAL VOLTAGE FOR U.S.A. /KOREA /GERMANY & H.K.)	X	X	X	X

817 776 8206



He NEMAN
FILENAME: PLCOB32.TIF



ELECTRICAL EQUIPMENT(CONT.)

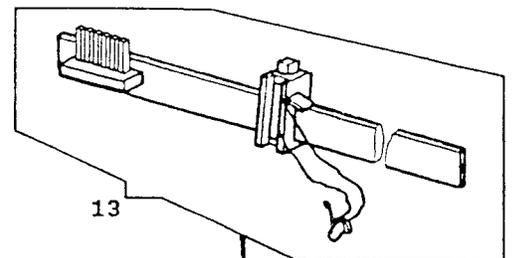
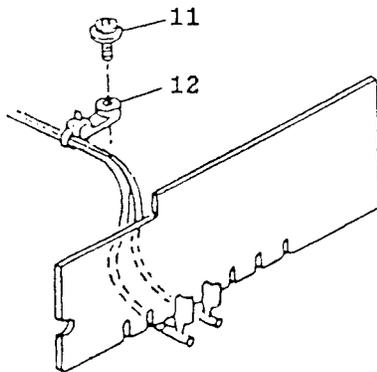
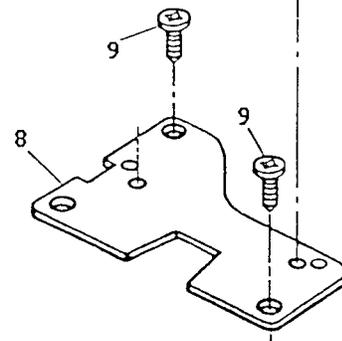
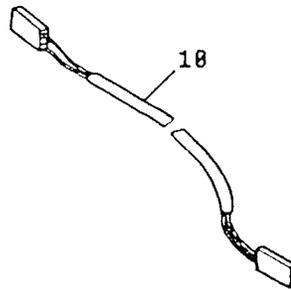
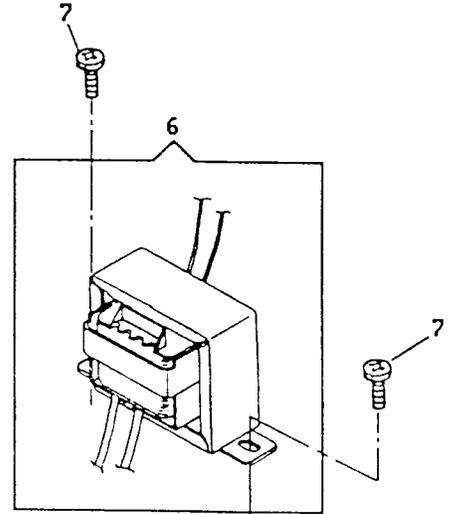
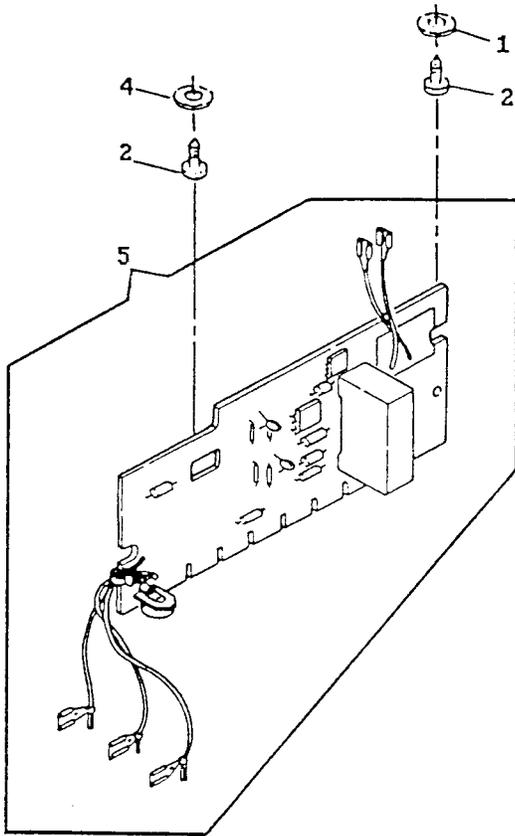
MODEL: 9110 9113 9117 9124

REF. PART NO. NO.	DESCRIPTION	9	9	9	9
		1	1	1	1
		1	1	1	2
		0	3	7	4
1A 314823-001	LINT AND HEAD SHIELD ASSEMBLY (220/240V) (FOR 9008N304)	X	X	X	X
1B 314823-003	LINT AND HEAD SHIELD ASSEMBLY (120V)	X	X	X	X
2 979203-002	LIGHT ASSEMBLY (EUROPE) (220V)	X	X	X	X
2 979203-003	LIGHT ASSEMBLY (AUSTRALIA) (240V)	X	X	X	X
3 540899	TY-WRAP SELF-LOCKING (ALT:605600-001)	X	X	X	X
4 988728-001	LAMP SOCKET (120V) (US/CANADA)	X	X	X	X
5 113455-003	THREAD TAKE-UP COVER AND LINT/HEAT SHIELD SCREW	X	X	X	X
7 137813-002	SCREW, LINT AND HEAT SHIELD MOUNTING	X	X	X	X
8 194120-021	LIGHT BULB (240V) (ALT:542656-004)	X	X	X	X
8 194120-020	LIGHT BULB (220V) (ALT:542656-003) (FOR 9008N304)	X	X	X	X
8 194120-019	LIGHT BULB (120V) (ALT:542656-005) (DUAL VOLTAGE FOR U.S.A./KOREA/GERMANY & H.K.)	X	X	X	X
10 979585-911	ROCKER SWITCH	X	X	X	X

ELECTRICAL EQUIPMENT (CONT.)

MODEL: 9110 9113 9117 9124

REF. PART NO.	PART NO.	DESCRIPTION	9	9	9	9
			1	1	1	1
			1	1	1	2
			0	3	7	4
1	988547-002	WASHER, P.C. BOARD MOUNTING	X	X	X	X
2	113444-001	SCREW, P.C. BOARD MOUNTING	X	X	X	X
4	988547-001	WASHER, P.C. BOARD MOUNTING	X	X	X	X
5	979584-001	SPEED CONTROL P.C. BOARD ASSEMBLY (120V) (FULL WAVE)	X	X	X	
5	979586-001	SPEED CONTROL P.C. BOARD ASSEMBLY (220/240V) (FULL WAVE)	X	X	X	
5	979612-001	SPEED CONTROL P.C. BOARD ASSEMBLY (220/240V) (SCAND.)	X	X	X	
5	<u>317278-001</u>	SPEED CONTROL P.C. BOARD ASSEMBLY (120V) (U.S.A./CANADA)				X
5	<u>317280-001</u>	SPEED CONTROL P.C. BOARD ASSEMBLY (DUAL VOLTAGE FOR U.S.A. /KOREA /GEMANY & H.K.)	X	X	X	X
5	317366-001	SPEED CONTROL P.C. BOARD ASSEMBLY (220/240V)				X
6	317276	TRANSFORMER (120V/6V)				X
6	317405	TRANSFORMER ASSEMBLY WITH LEAD (220V)				X
6	317411	TRANSFORMER (240V/6V)				X
7	544211-002	TRANSFORMER MOUNTING SCREW				X
8	317277-901	TRANSFORMER MOUNTING PLATE				X
9	113470-004	TRANSFORMER ASSEMBLY MOUNTING SCREW				X
10	317350	EXTENSION LEAD WITH HOUSING PLUGS FOR TRANSFORMER (6V)				X
11	113455-001	SCREW, LIGHT HARNESS	X	X	X	X
12	604690-001	SELF-LOCKING NYLON CABLE TIE, LIGHT HARNESS	X	X	X	X
13	317270-001	SLIDE SWITCH ASSEMBLY WITH LEADS				X



wiring layout model 9110

