

SINGER

9020N603,N634,N644,N655,N675,N683

/30920/93220

LIST OF PARTS

Sewing Machine Models

SAME

AS

9020N603

N634

93220

N644

Same as

N655

30930

N675

N683

by **SINGER***



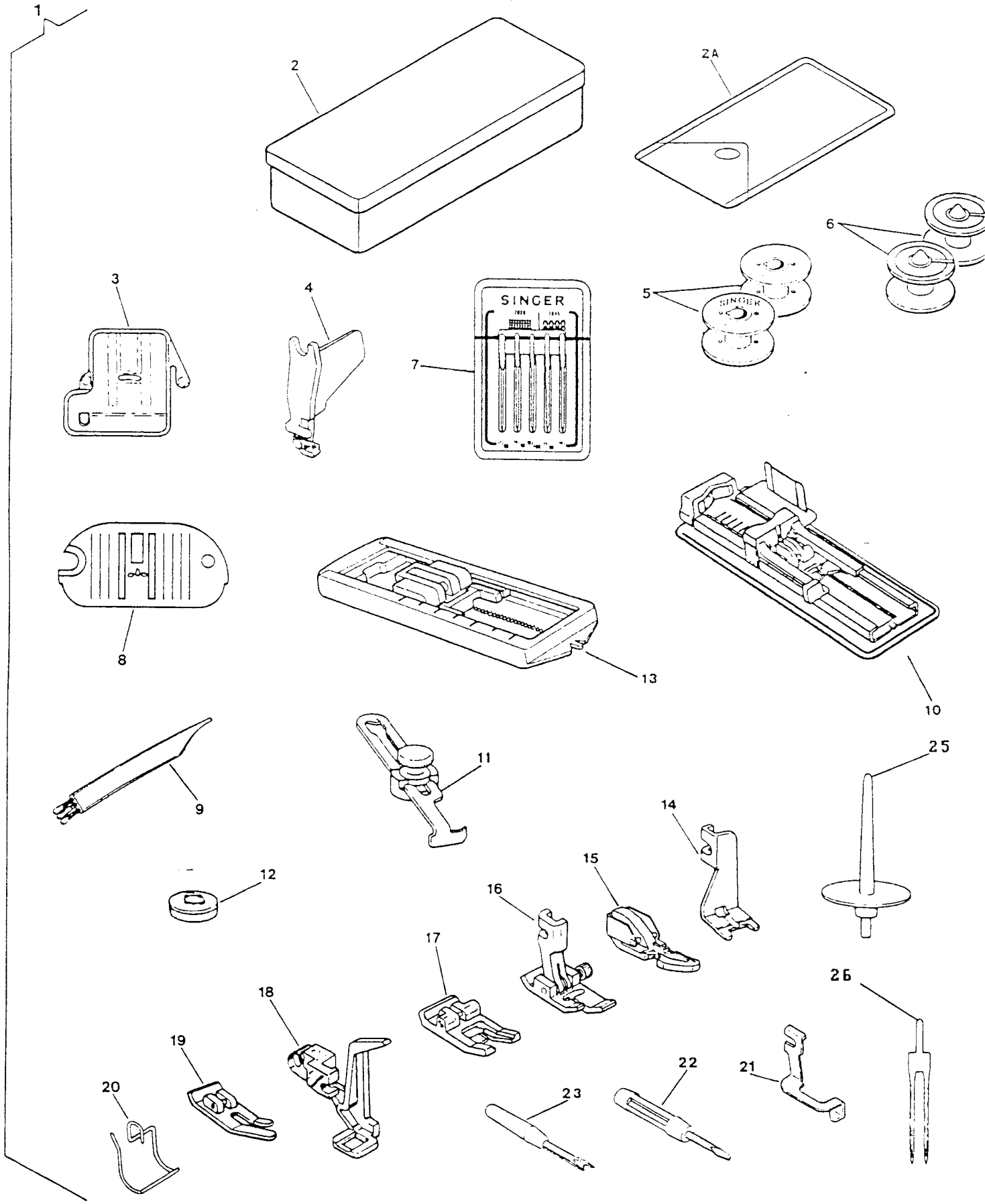
A Publication of Product Support
International Group Engineering

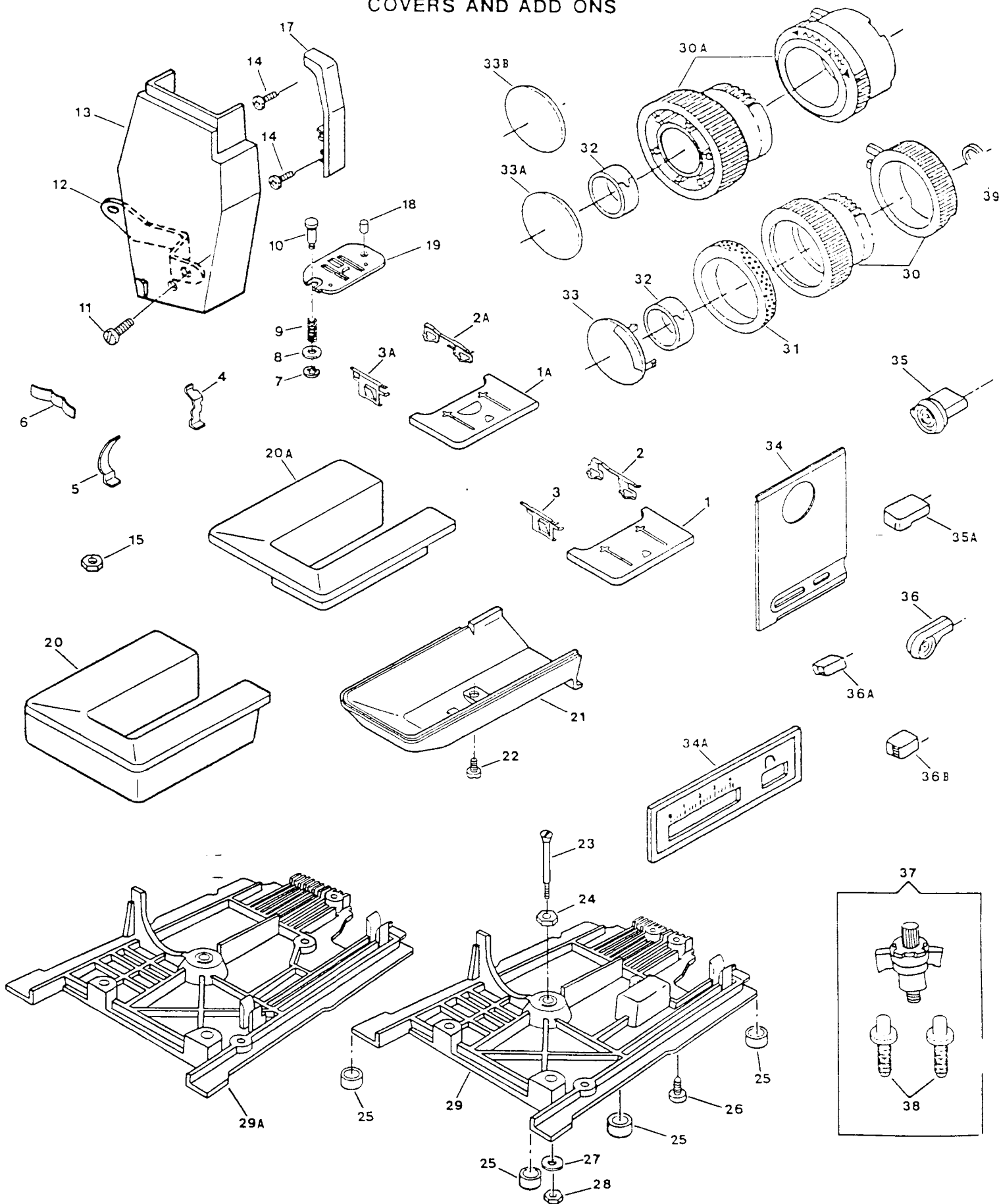
Part No.317161-043A

Printed in Taiwan

ATTACHMENT SET
MODEL: 9020

REF. PART NO.	PART NO.	DESCRIPTION	N	N	N	N	N
			6	6	6	6	6
			0	3	5	7	8
			3	4	5	5	3
1	313030-101	ATTACHMENT COMPLETE	X	X	X	X	X
2A	317396	ACCESSARY BAG	X	X	X	X	X
3	313117	FEED COVER PLATE	X	X	X	X	X
5	172336-001	BOBBIN (APOLLO)	X	X	X	X	X
7	353364	NEEDLE PACK (ALT: 384064)	X	X	X	X	X
9	546358-453	LINT BRUSH	X	X	X	X	X
13	313992-451	PRESSER FOOT PLATE (4-STEPS) FOR SEWING BUTTONHOLE	X	X	X	X	X
15	171480	PRESSER FOOT PLATE FOR CORDING AND SLIDE FASTENERS COMPLETE	X	X	X	X	X
17	171463	SPECIAL PURPOSE PRESSER FOOT PLATE	X	X	X	X	X
21	171110	BLINDSTITCH GUIDE	X	X	X	X	X





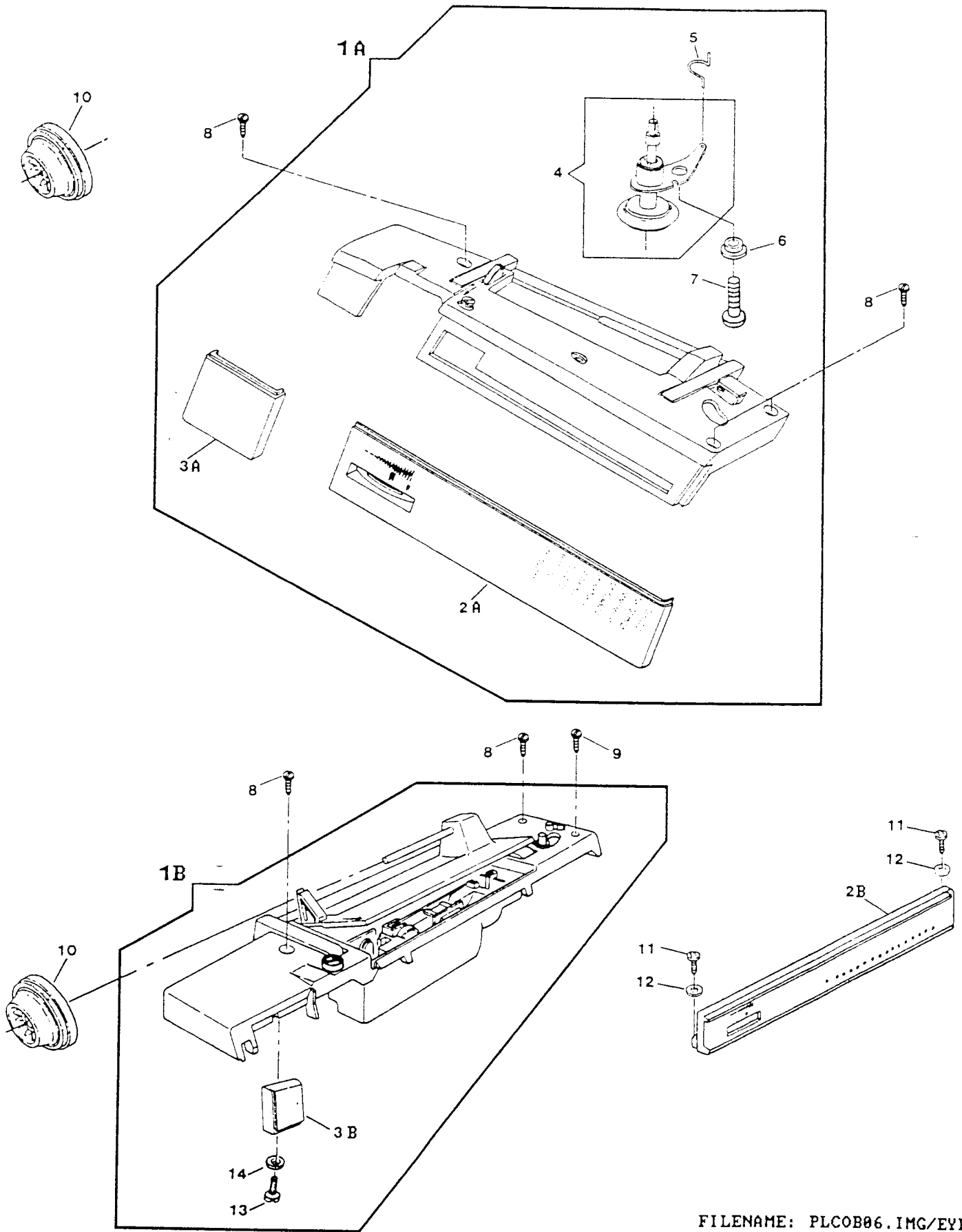
COVERS AND ADD ONS
MODEL: 9020

REF. NO.	PART NO.	DESCRIPTION	N	N	N	N	N
			6	6	6	6	6
			0	3	5	7	8
			3	4	5	5	3
1	314666	BED SLIDE ASSEMBLY COMPLETE (APOLLO)	X	X	X	X	X
2	314669	BED SLIDE SPRING (RIGHT)	X	X	X	X	X
3	314670	BED SLIDE SPRING (LEFT)	X	X	X	X	X
4	313178	BED SLIDE STOP	X	X	X	X	X
5	313179	BED SLIDE STOP SPRING	X	X	X	X	X
6	313118	CLOTH PLATE SPRING	X	X	X	X	X
7	313098	THROAT PLATE POUNGER RETAINING RING	X	X	X	X	X
8	549426-451	THROAT PLATE PUNGER WASHER	X	X	X	X	X
9	312805	THROAT PLATE PLUNGER SPRING	X	X	X	X	X
10	312804	THROAT PLATE PLUNGER	X	X	X	X	X
11	137250-451	FACE PLATE MOUNTING SCREW	X	X	X	X	X
12	317226	FACE PLATE MOUNTING BRACKET	X	X	X	X	X
13	314259-008	FACE PLATE COMPLETE (#3913)	X		X	X	X
13	314259-010	FACE PLATE COMPLETE		X			
14	113470-003	THREAD TAKE-UP COVER MOUNTING SCREW	X	X	X	X	X
15	313049	BED INSERT NUT	X	X	X	X	X
17	137915-009	THREAD TAKE-UP COVER COMPLETE (#310K)	X	X	X	X	X
18	353624	THROAT PLATE LOCATING PIN	X	X	X	X	X
19	312777	THROAT PLATE FOR ZIG-ZAG SEWING	X	X	X	X	X
20A	317379-901	CLOTH PLATE	X	X	X	X	X
21	312773-454	BED COVER (TUBULAR)	X	X	X	X	X
22	354633-452	BED COVER (TUBULAR) SCREW	X	X	X	X	X
23	313052-451	BOTTOM COVER MOUNTING BOLT	X	X	X	X	X
24	313173-451	BOTTOM COVER MOUNTING BOLT RETAINING NUT	X	X	X	X	X
25	313909-451	BED LEG CUSHION	X	X	X	X	X
26	113455-002	BED COVER PLATE (BOTTOM) SCREW	X	X	X	X	X
27	314712-451	BOTTOM COVER MOUNTING BOLT WASHER	X	X	X	X	X
28	313177-452	BOTTOM COVER MOUNTING BOLT MOUNTING NUT	X	X	X	X	X
29	312774-001	BED COVER PLATE (BOTTOM)	X	X	X	X	X
30A	314239-472	PATTERN SELECTOR KNOB AND STITCH BALANCE KNOB KIT ASSEMBLY	X	X	X	X	X
32	313535	PATTERN SELECTOR KNOB COMPRESSION RING	X	X	X	X	X
33A	314744-500	PATTERN SELECTOR KNOB TRIM PLATE	X				
33A	314744-505	PATTERN SELECTOR KNOB TRIM PLATE					
33A	314744-508	- PATTERN SELECTOR KNOB TRIM PLATE				X	
33A	314744-510	- PATTERN SELECTOR KNOB TRIM PLATE					X
33A	314744-512	- PATTERN SELECTOR KNOB TRIM PLATE					
33A	314744-516	PATTERN SELECTOR KNOB TRIM PLATE (FOR 9020N644)	X				
34A	137586-003	STITCH LENGTH CONTROL PANEL WITH GRAPHICS					X
34A	317009-026	STITCH LENGTH CONTROL PANEL WITH GRAPHICS	X				
34A	317009-027	STITCH LENGTH CONTROL PANEL WITH GRAPHICS				X	
34A	317009-030	STITCH LENGTH CONTROL PANEL WITH GRAPHICS					X
34A	317009-032	STITCH LENGTH CONTROL PANEL WITH GRAPHICS				X	
35A	312657-468	REVERSE FEED CONTROL LEVER KNOB (PLASTIC)	X	X	X	X	X
36A	314676-468	BIGHT AMPLITUDE CONTROL LEVER KNOB (PLASTIC)	X	X	X	X	X
36B	312664-469	STITCH LENGTH CONTROL LEVER KNOB AND TENSION REGULATING KNOB (PLASTIC) AND NEEDLE POSITION CONTROL LEVER KNOB	X	X	X	X	X
37	313180	MACHINE HOLD DOWN MOUNTING KIT	X	X	X	X	X
38	148869	MACHINE LOCATOR PIN	X	X	X	X	X

ARM TOP COVER
 MODEL: 9020

REF. NO.	PART NO.	DESCRIPTION	N	N	N	N	N
			6	6	6	6	6
			0	3	5	7	8
			3	4	5	5	7
1A	317122-037	ARM TOP COVER COMPLETE WITH HANDLE (FOR 9020N644)	X				
1A	317122-084	ARM TOP COVER COMPLETE WITH HANDLE	X				
1A	317122-099	ARM TOP COVER COMPLETE WITH HANDLE				X	
1A	317122-104	ARM TOP COVER ASS'Y WITH HANDLE					X
1A	317122-107	ARM TOP COVER COMPLETE WITH HANDLE					X
1A	317122-108	ARM TOP COVER COMPLETE WITH HANDLE		X			
2A	314640-804	CONTROL PANEL WITH GRAPHICS (FOR 9020N644)	X				
2A	314640-959	CONTROL PANEL WITH GRAPHICS	X				
2A	314640-960	CONTROL PANEL WITH GRAPHICS			X		
2A	314640-966	CONTROL PANEL WITH GRAPHICS				X	
2A	314640-968	CONTROL PANEL WITH GRAPHICS					X
2A	314640-973	CONTROL PANEL WITH GRAPHICS		X			
3A	314703-812	CONTROL PANEL EXTENSION WITH GRAPHICS (FOR 9020N644)	X				X
3A	314703-925	CONTROL PANEL EXTENSION WITH GRAPHICS	X				
3A	314703-975	CONTROL PANEL EXTENSION WITH GRAPHICS				X	
3A	314703-977	CONTROL PANEL EXTENSION WITH GRAPHICS					X
3A	314703-978	CONTROL PANEL EXTENSION WITH GRAPHICS		X			
4	312901	BOBBIN WINDER ASSEMBLY	X	X	X	X	X
5	312897-ccf	BOBBIN WINDER LEVER SPRING	X	X	X	X	X
6	312613	BOBBIN WINDER LEVER HING SCREW SHOULDER WASHER	X	X	X	X	X
7	354927-004	BOBBIN WINDER LEVER HING SCREW	X	X	X	X	X
8	354927-001	ARM TOP COVER MOUNTING SCREW	X	X	X	X	X
10	179967-461	SPOOL PIN THREAD LEAD-OFF	X	X	X	X	X

ARM TOP COVER

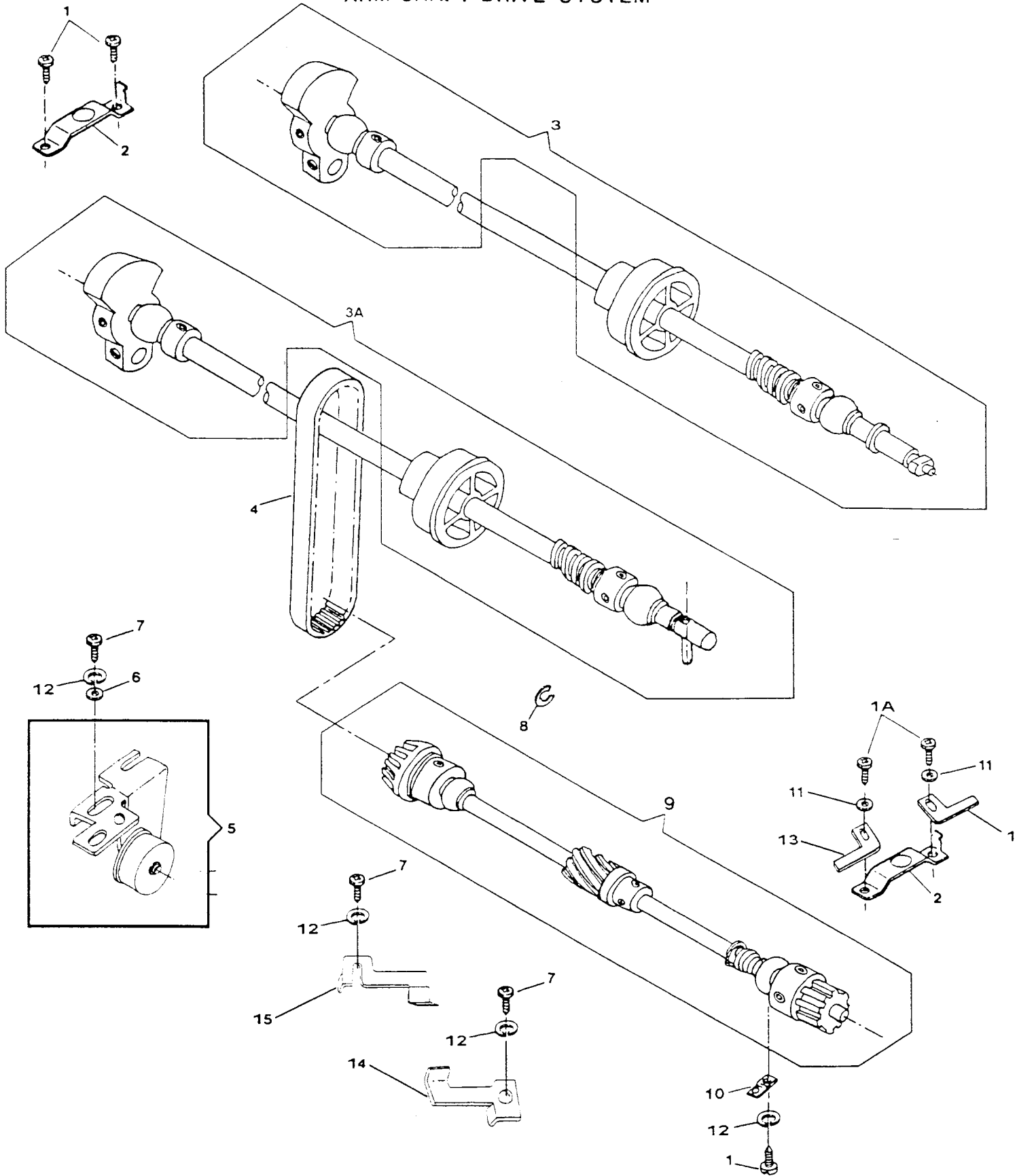


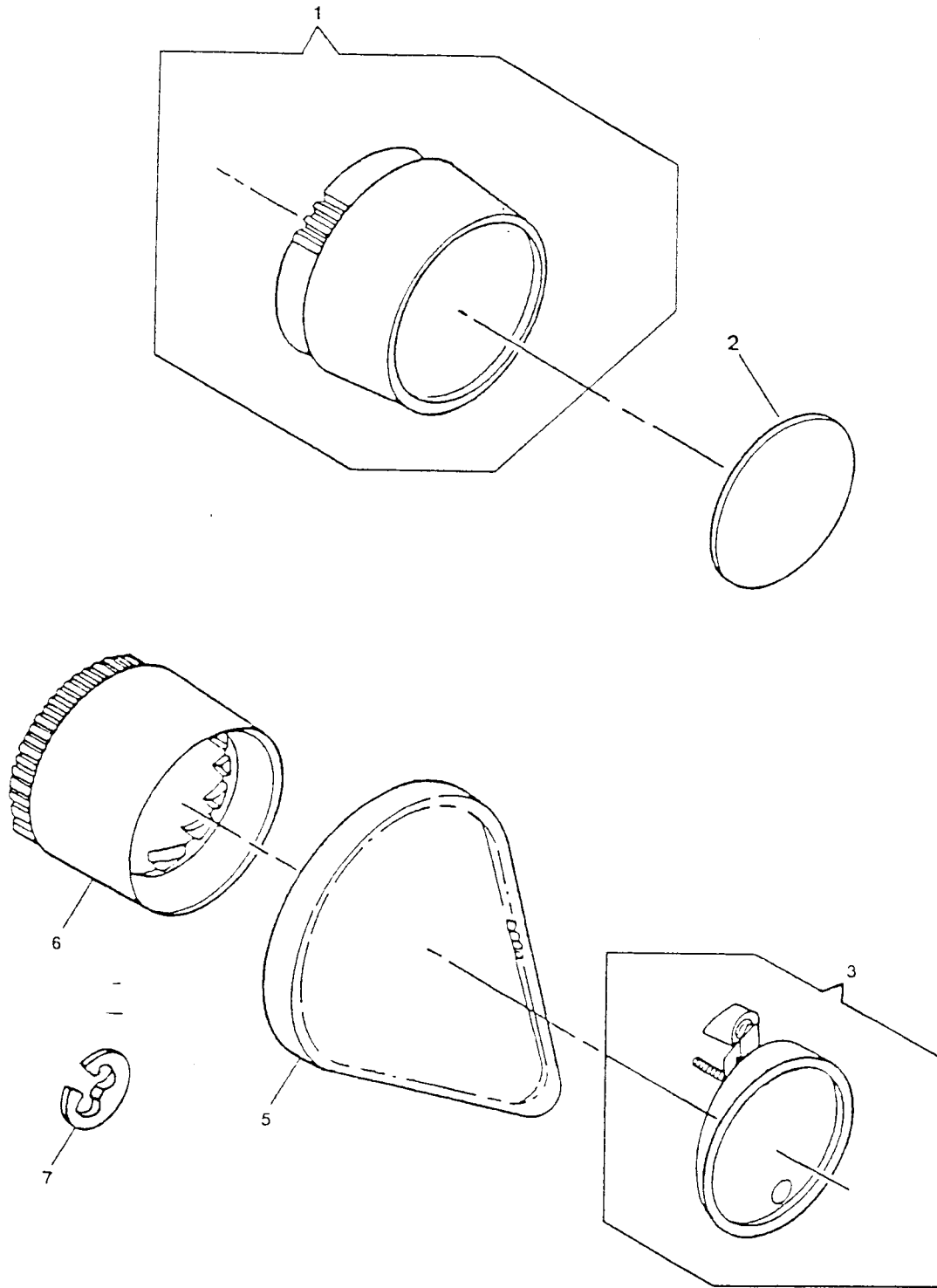
BLANK PAGE

ARM SHAFT DRIVE SYSTEM
 MODEL: 9020N603 N634 N655 N675 N683

REF. PART NO.	PART NO.	DESCRIPTION	N	N	N	N	N
			6	6	6	6	6
			0	3	5	7	8
			3	4	5	5	3
1	113455-002	ARM SHAFT (HORIZONTAL) BUSHING (LEFT) CLAMP SCREW	X	X	X	X	X
1A	113455-004	ARM SHAFT (HORIZONTAL) BUSHING (RIGHT) CLAMP SCREW	X	X	X	X	X
2	312796	ARM SHAFT (HORIZONTAL) BUSHING (LEFG & RIGHT) CLAMP	X	X	X	X	X
3	313111-002	ARM SHAFT ASSEMBLY (APOLLO)	X	X	X	X	X
4	603975-011	BELT (ROTATING HOOK DRIVE) ALT: 603975-012	X	X	X	X	X
5	313195-001	IDLER BRACKET ASSEMBLY	X	X	X	X	X
6	314041-451	ROTATING HOOK DRIVING BELT TENSION ADJUSTER SCREW WASHER	X	X	X	X	X
7	113455-002	ROTATING HOOK DRIVING BELT TENSION ADJUSTER SCREW	X	X	X	X	X
8	313153	HAND WHEEL RETAINING RING	X	X	X	X	X
9	370560	ROTATING HOOK DRIVE SHAFT SUB-ASSEMBLY	X	X	X	X	X
10	313816	ROTATING HOOK DRIVE SHAFT BUSHING (SELF-ALIGNING) CLAMP	X	X	X	X	X
11	316164	WASHER, ROTATING HOOK DRIVE SHAFT BUSHING (SELF-ALIGNING) CLAMP SCREW	X	X	X	X	X
12	314013-451	LOCK WASHER, ROTATING HOOK DRIVING BELT TENSION ADJUSTER SCREW	X	X	X	X	X
13	137873	MOTOR BELT STOP PLATE	X	X	X	X	X
14	137916	ROTATING HOOK BELT SLIP PREVENTION GUARD (LOWER)	X	X	X	X	X
15	137286	ROTATING HOOK BELT SLIP PREVENTION GUARD	X	X	X	X	X

ARM SHAFT DRIVE SYSTEM



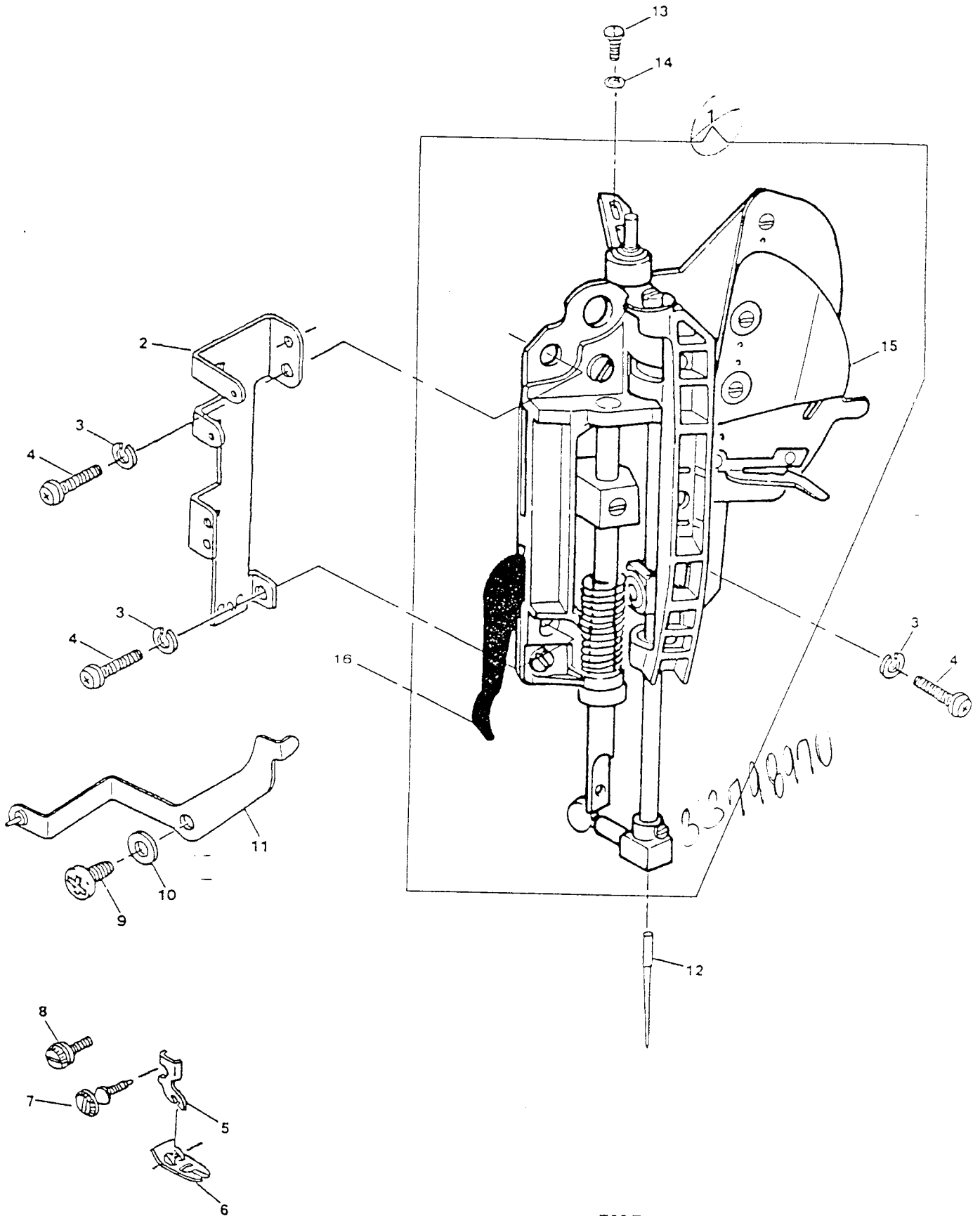


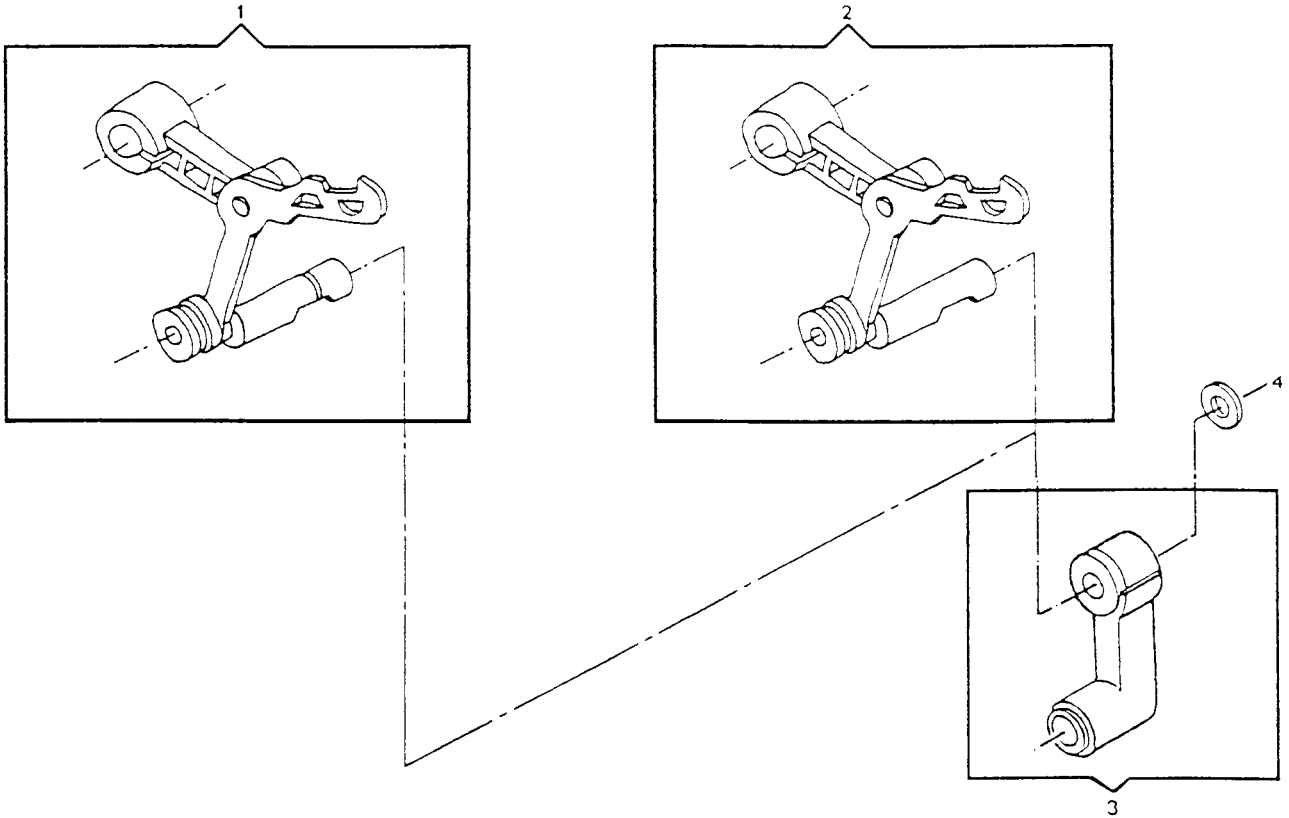
HAND WHEEL
 MODEL: 9020N603 N634 N655 N675 N683

REF. PART NO.	PART NO.	DESCRIPTION	N	N	N	N	N
			6	6	6	6	6
			0	3	5	7	8
			3	4	5	5	3
3	316070-001	HAND WHEEL CLUTCH PLATE ASSEMBLY	X	X	X	X	X
5	312628-001	BELT (MOTOR DRIVE) ALT: 979285-001	X	X	X	X	X
6	137892-451	HAND WHEEL	X	X	X	X	X
7	313153	HAND WHEEL RETAINING RING	X	X	X	X	X

COAXIAL PRESSER BAR SYSTEM
 MODEL: 9020N603 N634 N655 N675 N683

REF. PART NO.	PART NO.	DESCRIPTION	N	N	N	N	N
			6	6	6	6	6
			0	3	5	7	8
			3	4	5	5	3
1	314700-004	HEAD END MODULE (APOLLO)	X	X	X	X	X
2	314591	FACE PLATE MOUNTING BRACKET	X	X	X	X	X
3	313955-451	HEAD END MOUNTING PLATE LOCK WASHER	X	X	X	X	X
4	113455-012	HEAD END MOUNTING PLATE SCREW	X	X	X	X	X
5	163706-451	PRESSER FOOT SHANK (SNAP-ON)	X	X	X	X	X
6	313150	PRESSER FOOT PLATE (SNAP-ON) FOR ZIG-ZAG SEWING	X	X	X	X	X
7	113531-451	PRESSER FOOT THUMB SCREW	X	X	X	X	X
9	113455-001	NEEDLE THREAD TENSION RELEASE LEVER HINGE SCREW	X	X	X	X	X
10	314041-451	NEEDLE THREAD TENSION RELEASE LEVER RETAINING WASHER	X	X	X	X	X
11	317401	NEEDLE THREAD TENSION RELEASE LEVER ASSEMBLY	X	X	X	X	X
12	N2020-014	NEEDLE (SIZE NO.14)	X	X	X	X	X
13	113408-001	NEEDLE BAR DRIVING ARM BALL JOINT SCREW	X	X	X	X	X
14	931929-004	NEEDLE BAR DRIVING ARM BALL JOINT SCREW WASHER	X	X	X	X	X
15	314690	THREAD PINCH PLATE	X	X	X	X	X
16	314582	PRESSER BAR LIFTER	X	X	X	X	X





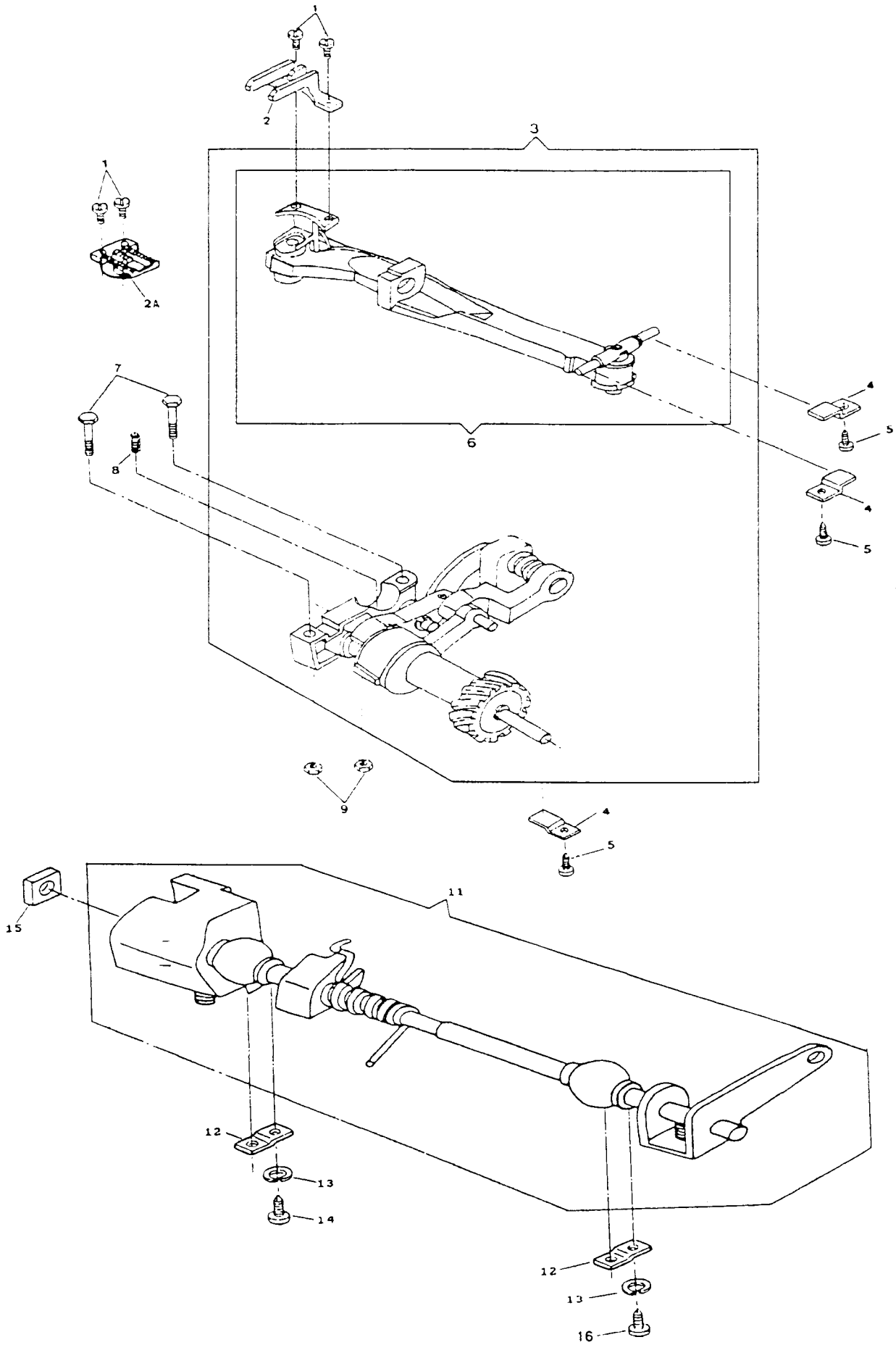
NEEDLE BAR & THREAD TAKE-UP
 MODEL: 9020N603 N634 N655 N675 N683

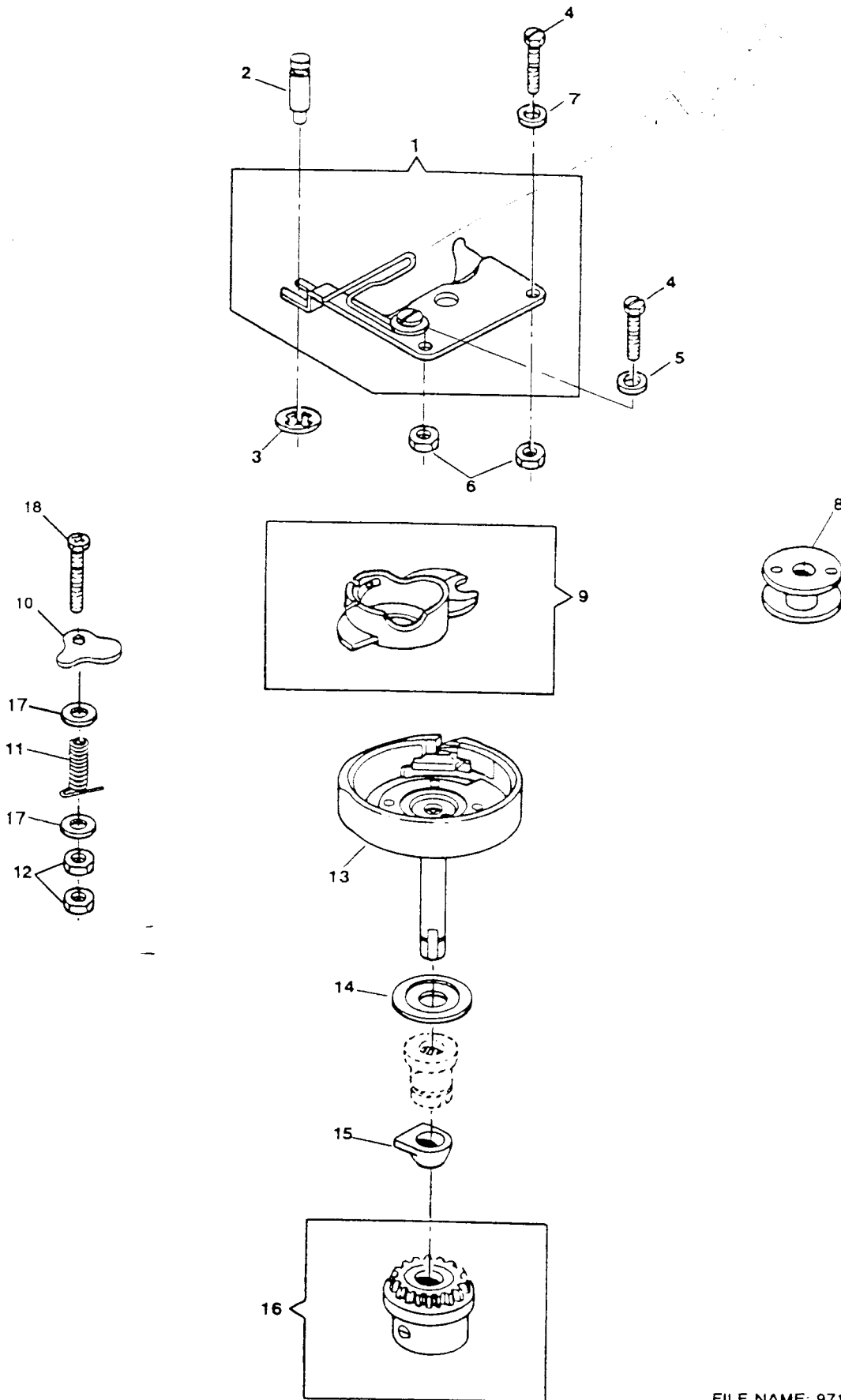
REF. PART NO.	PART NO.	DESCRIPTION	N	N	N	N	N
			6	6	6	6	6
			0	3	5	7	8
			3	4	5	5	3
1	314694	THREAD TAKE-UP COMPLETE (APOLLO)	X	X	X	X	X
3	137528-901	NEEDLE BAR CONNECTING LINK	X	X	X	X	X
4	314071	WASHER, THREAD TAKE-UP LEVER	X	X	X	X	X

ALPHA FEED
MODEL: 9020N603 N634 N655 N675 N683

REF. PART NO. NO.	DESCRIPTION	N	N	N	N	N
		6	6	6	6	6
		0	3	5	7	8
		3	4	5	5	3
1	141920-452	FEED DOG SCREW	X	X	X	X
2A	312679	FEED DOG (APOLLO)	X	X	X	X
3	313011	ALPHA FEED MODULE	X	X	X	X
4	312851	FEED BAR PIVOT HING STUD CLAMP	X	X	X	X
5	113455-003	CLAMP SCREW	X	X	X	X
6	314141	FEED BAR ASSEMBLY	X	X	X	X
7	354921-451	FEED & ROTATING HOOK DRIVE SHAFT BEARING BLOCK SCREW	X	X	X	X
8	314070	ROTATING HOOK DRIVE SHAFT BUSHING SPRING	X	X	X	X
9	514674-451	FEED & ROTATING HOOK DRIVE SHAFT BEARING BLOCK MOUNTING SCREW NUT	X	X	X	X
11	313133	FEED REGULATOR SHAFT ASSEMBLY	X	X	X	X
12	313816	FEED REGULATOR SHAFT BUSHING (SELF-ALIGNING) CLAMP	X	X	X	X
13	314013-451	FEED REGULATOR SHAFT BUSHING (SELF-ALIGNING) CLAMP SCREW LOCK WASHER	X	X	X	X
14	113455-001	FEED REGULATOR SHAFT BUSHING (SELF-ALIGNING) CLAMP SCREW	X	X	X	X
15	511030	FEED REGULATOR SLIDE BLOCK	X	X	X	X
16	113455-002	FEED REGULATOR BUSHING (SELF-ALIGNING) CLAMP SCREW (RIGHT)	X	X	X	X

ALPHA FEED

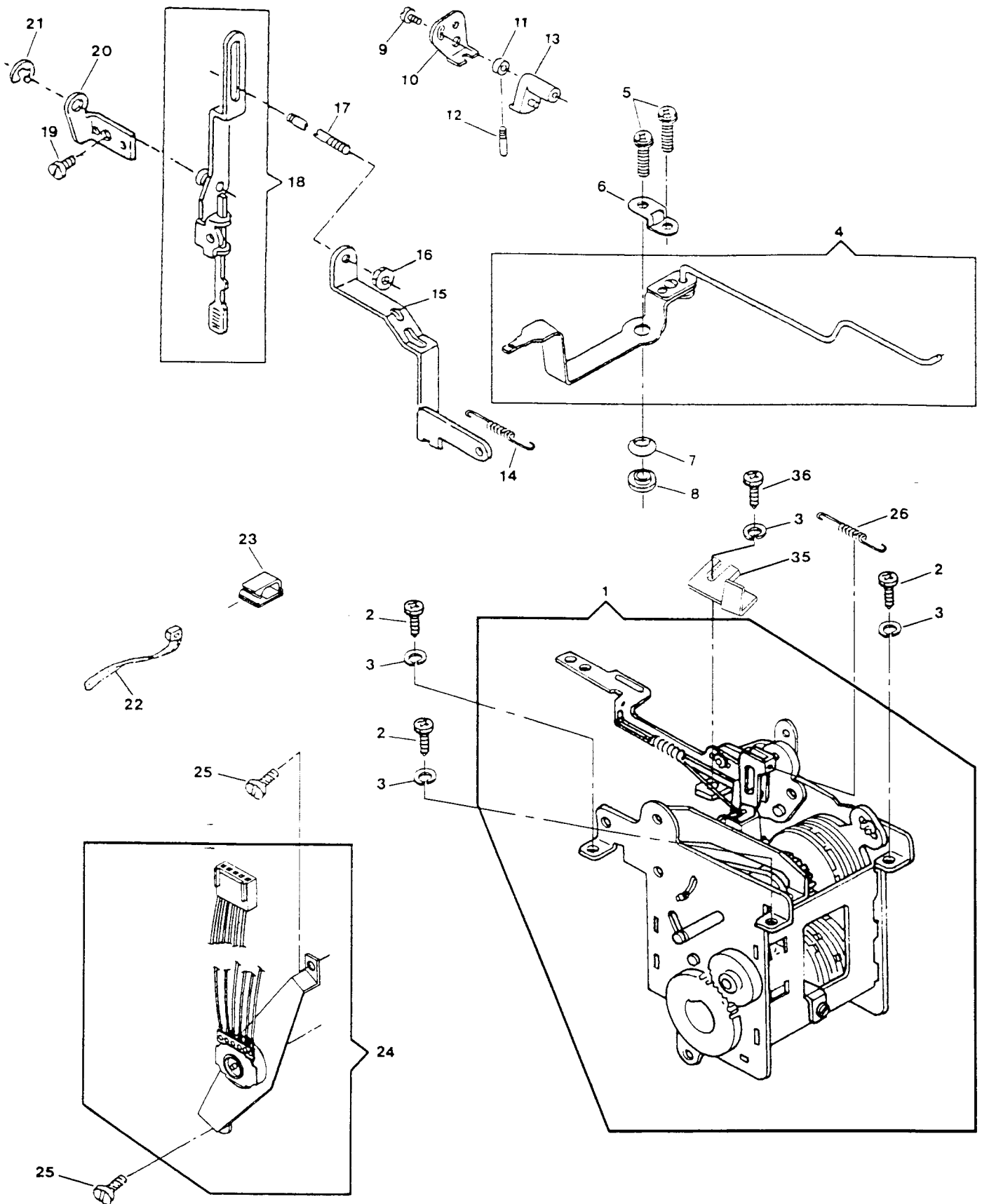




HOOK SYSTEM (APOLLO)
 MODEL: 0000N600 N601 N605 N606 N607

REF. NO.	PART NO.	DESCRIPTION	N	N	N	N	N
			6	6	6	6	6
			0	3	5	7	8
			3	4	5	5	3
1	313089	ROTATING HOOK BOBBIN CASE POSITION PLATE ASSEMBLY	X	X	X	X	X
2	312603	ROTATING HOOK BOBBIN CASE POSITION PLATE HOLD DOWN STUD	X	X	X	X	X
3	313161	ROTATING HOOK BOBBIN CASE POSITION PLATE HOLD DOWN STUD RETAINER	X	X	X	X	X
4	113439-451	ROTATING HOOK BOBBIN CASE POSITION PLATE SCREW	X	X	X	X	X
5	313190-451	ROTATING HOOK BOBBIN CASE POSITION PLATE SCREW WASHER	X	X	X	X	X
6	313945-451	ROTATING HOOK BOBBIN CASE POSITION PLATE SCREW NUT	X	X	X	X	X
7	446138	ROTATING HOOK BOBBIN CASE POSITION PLATE SCREW WASHER (RIGHT)	X	X	X	X	X
8	172336-001	ROTATING HOOK BOBBIN (PLASTIC)	X	X	X	X	X
9	421325	ROTATING HOOK BOBBIN CASE COMPLETE	X	X	X	X	X
10	313395-900	ROTATING HOOK BOBBIN CASE RETAINING PLATE SUB-ASSEMBLY	X	X	X	X	X
11	44892	ROTATING HOOK BOBBIN CASE RETAINING PLATE STUD SPRING	X	X	X	X	X
12	514674-451	ROTATING HOOK BOBBIN CASE RETAINING PLATE STUD RETAINING RING	X	X	X	X	X
13	447926-932	ROTATING HOOK COMPLETE	X	X	X	X	X
14	314049-001	ROTATING HOOK FLANGED BUSHING THRUST WASHER	X	X	X	X	X
15	312847	ROTATING HOOK FLANGED BUSHING WASHER	X	X	X	X	X
16	314012	ROTATING HOOK BEVEL GEAR COMPLETE	X	X	X	X	X
17	931929-004	WASHER, BOBBIN CASE RETAINING	X	X	X	X	X
18	137315-453	ROTATING HOOK BOBBIN CASE RETAINING PLATE SCREW	X	X	X	X	X

PATTERN STITCH LENGTH CONTROL AND CAM CONTROLLED FEED

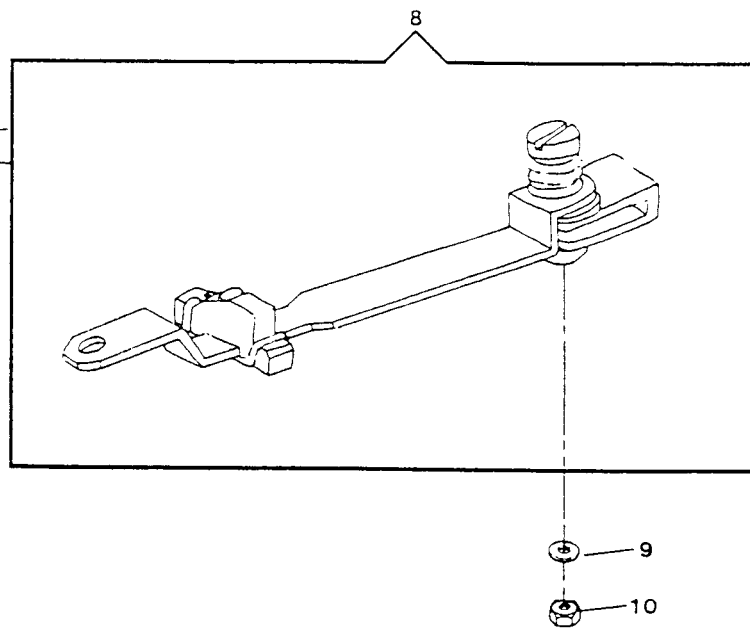
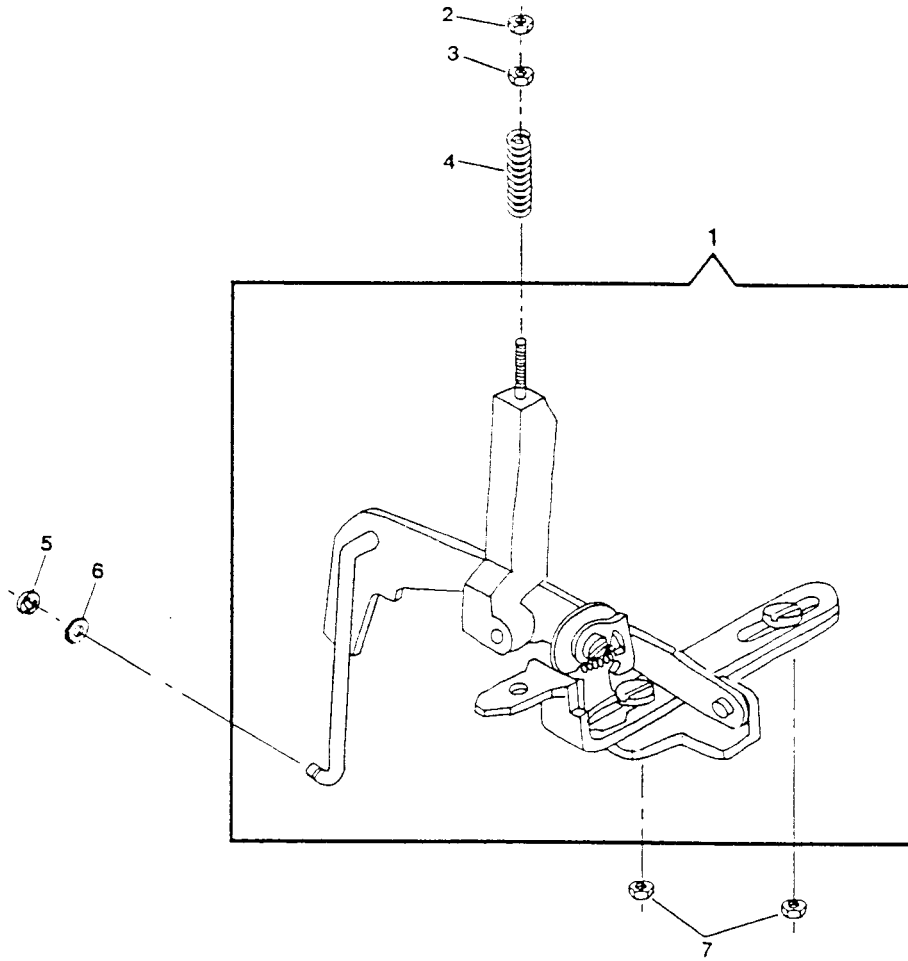


PATTERN, STITCH LENGTH CONTROL & CAM CONTROLLED FEED
 MODEL: 9020N603 N634 N655 N675 N683

REF. PART NO.	DESCRIPTION	N	N	N	N	N
		6	6	6	6	6
		0	3	5	7	8
		3	4	5	5	3
1	314601-001 PATTERN SELECTOR MODULE	X	X	X	X	X
2	113455-001 DISCSELECTOR MECHANISM MOUNTING PLATE SCREW (LEFT AND RIGHT)	X	X	X	X	X
3	314013-451 DISC SELECTOR MECHANISM MOUNTING PLATE SCREW (LEFT AND RIGHT)	X	X	X	X	X
4	314607-003 BIGHT AMPLITUDE CONTROL LEVER ASSEMBLY	X	X	X	X	X
5	113455-001 BIGHT AMPLITUDE CONTROL LEVER STOP ADJUSTMENT SCREW	X	X	X	X	X
6	314683 BIGHT AMPLITUDE CONTROL LEVER RETAINER	X	X	X	X	X
7	353457 BIGHT AMPLITUDE CONTROL LEVER FRICTION WASHER	X	X	X	X	X
8	314611 BIGHT AMPLITUDE CONTROL LEVER SHOULDER WASHER	X	X	X	X	X
26	314497 NEEDLE BAR DRIVING ARM SLIDE POSITIONING SPRING	X	X	X	X	X
35	137407 ARM SHAFT BELT SLIP PREVENTION GUARD	X	X	X	X	X
36	113455-002 SCREW, ARM SHAFT BELT SLIP PREVENTION GUARD	X	X	X	X	X

BLANK PAGE

PATTERN STITCH LENGTH CONTROL AND CAM CONTROLLED FEED (CONT.)

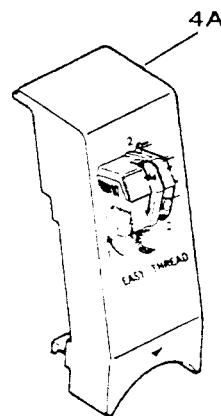
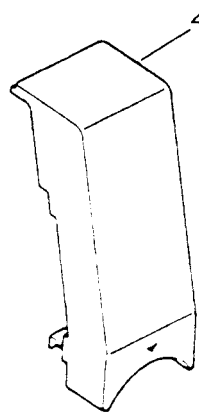
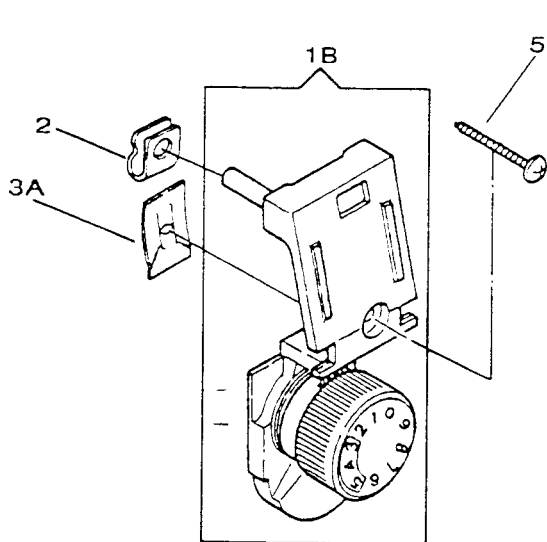
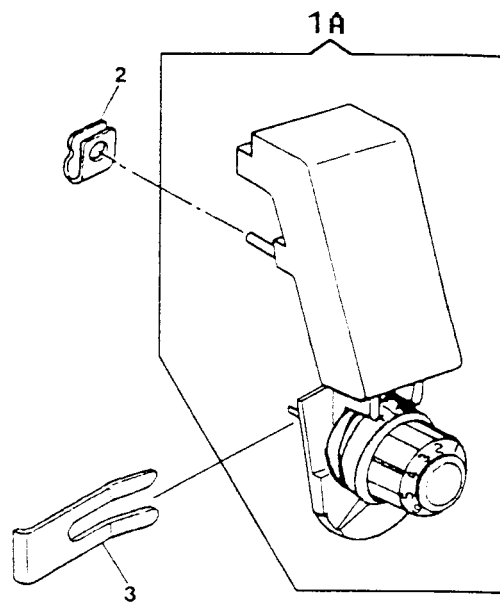
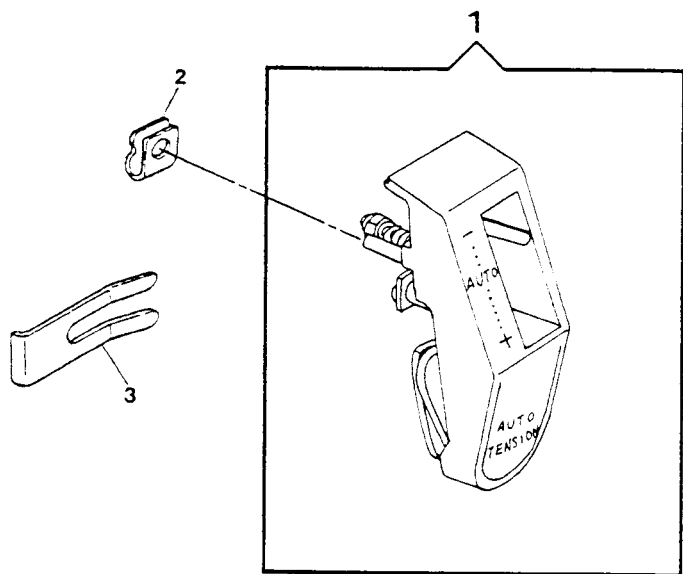


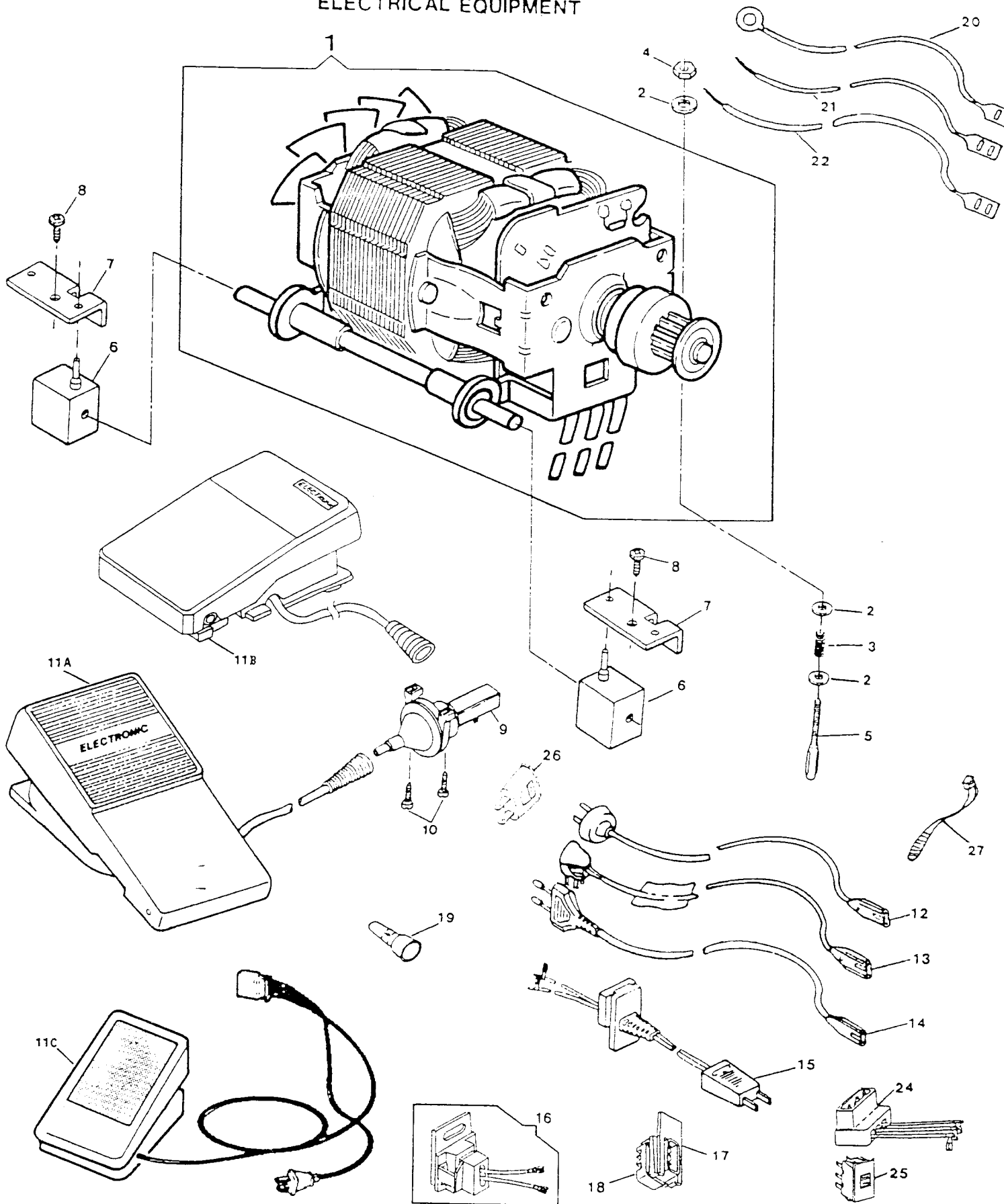
PATTERN, STITCH LENGTH CONTROL & CAM CONTROLLED FEED (CONT.)
 MODEL: 9020N603 N634 N655 N675 N683

REF. PART NO.	PART NO.	DESCRIPTION	N	N	N	N	N
			6	6	6	6	6
			0	3	5	7	
			3	4	5	5	5
1	314300-001	FEED REVERSE MECHANISM	X	X	X	X	X
2	514674-451	CAM CONTROLLED FEED CONNECTING ROD LOCKING NUT	X	X	X	X	X
3	312645-451	CAM CONTROLLED FEED DISC FOLLOWER ACTUATOR CONNECTING ROD ADJUSTING	X	X	X	X	X
4	313143	CAM CONTROLLED FEED DISC FOLLOWER ACTUATOR CONNECTING ROD SPRING	X	X	X	X	X
5	312702	FEED LEVER CONNECTING LINK RETAINING RING	X	X	X	X	X
6	313891	CAM CONTROLLED FEED CONNECTING ROD STABILIZING WASHER	X	X	X	X	X
7	514674-451	REVERSE FEED CONTROL LEVER GUIDE SCREW NUT	X	X	X	X	X
8	313569-001	STITCH LENGTH CONTROL LEVER ASSEMBLY	X	X	X	X	X
9	314712-451	STITCH LENGTH CONTROL EVER PIVOT LOCK WASHER	X	X	X	X	X
10	313177-451	STITCH LENGTH CONTROL LEVER NUT	X	X	X	X	X

DEMAND RESPONSIVE NEEDLE TENSION SYSTEM
 MODEL: 9020N603 N634 N655 N675 N683

REF. PART NO.	PART NO.	DESCRIPTION	N	N	N	N	N
			6	6	6	6	6
			0	3	5	7	8
			3	4	5	5	3
1B	137574-001	THREAD TENSION MODULE	X	X	X	X	X
2	313199	TENSION COVER MOUNTING RETAINER	X	X	X	X	X
3A	137584	TENSION COVER RETAINING CLIP	X	X	X	X	X
4	137575-452	TENSION COVER ASSEMBLY (FRONT)		X	X	X	
4A	137698-001	TENSION COVER ASSY (FRONT) WITH THREADING INSTRUCTION LABEL	X				X
5	137588-451	TAPPING SCREW	X	X	X	X	X





ELECTRICAL EQUIPMENT
MODEL: 9020

REF. PART NO.	PART NO.	DESCRIPTION	N	N	N	N	N
			6	6	6	6	6
			0	3	5	7	8
			3	4	5	5	3
1	317352-002	MOTOR COMPLETE (120V CARBON PILE)	X				X
1	317427-001	MOTOR COMPLETE (240V CARBON PILE) (7028N304)		X	X	X	
3	314058-001	MOTOR BELT TENSION SPRING	X	X	X	X	X
4	53646	MOTOR ADJUSTING STUD NUT	X	X	X	X	X
5	988653-001	MOTOR ADJUSTING STUD	X	X	X	X	X
6	979329-001	RESILIENT MOUNT	X	X	X	X	X
7	988651-001	CLIP	X	X	X	X	X
8	113470-004	MOTOR MOUNTING SCREW	X	X	X	X	X
11C	317281-001	CARBON PILE FOOT CONTROLLER ASS'Y (230V EUROPE)	X	X	X	X	
11C	319003-003	TRIAC FOOT CONTROLLER ASSEMBLY	X				X
17	317282-901	HOLDER (220/240V) (DUAL VOLTAGE FOR U.S.A./KOREA/GERMANY & H.K.)		X	X	X	
17	317374-901	HOLDER (120V)	X				X
18	317421	RECEPTACLE (120V)	X				X
18	317428-900	RECEPTACLE (220/240V)		X	X	X	
19	317355	WIRE CONNECTOR	X	X	X	X	X
20	317356-004	LEAD W/TERMINAL ASSEMBLY	X				X
21	317356-009	LEAD W/TERMINAL ASSEMBLY (230/240V)	X	X	X	X	X

ELECTRICAL EQUIPMENT (CONT.)
 MODEL: 9020

REF. PART NO.	PART NO.	DESCRIPTION	N	N	N	N	N
			6	6	6	6	6
			0	3	5	7	8
			3	4	5	5	3
1A	314823-001	LINT AND HEAT SHIELD ASSEMBLY (230/240V) (FOR 9008N304)		X	X	X	
1B	314823-003	LINT AND HEAD SHIELD ASSEMBLY (120V)	X				X
2A	317439	LAMP SOCKET (230/240V) (FOR 9008N304)		X	X	X	
3	540899	TY-WRAP SELF-LOCKING	X	X	X	X	X
4A	317397-902	LAMP SOCKET ASSEMBLY (120V, DOUBLE INSULATION)	X				X
5	113470-003	THREAD TAKE-UP COVER AND LINT/HEAT SHIELD SCREW	X	X	X	X	X
7	137813-002	SCREW, LINT AND HEAT SHIELD MOUNTING	X	X	X	X	X
8	194120-019	LIGHT BULB (120V) (ALT:542656-005) (DUAL VOLTAGE FOR U.S.A/KOREA/GERMANY & H.K.)	X				X
8	194120-021	LIGHT BULB (240V)		X	X	X	
10	979585-207	ROCKER SWITCH	X	X	X	X	X

ELECTRICAL EQUIPMENT
 MODEL: 9020N603 N634 N655 N675 N683

REF. NO.	PART NO.	DESCRIPTION	N	N	N	N	N
			6	6	6	6	6
			0	3	5	7	8
			3	4	5	5	3
1	317352	MOTOR COMPLETE (120V CARBON PILE)	X				X
1	317427-001	MOTOR COMPLETE (240V CARBON PILE) (7028N304)		X	X	X	
2	37969	MOTOR ADJUSTING STUD NUT WASHER	X				
3	314058-001	MOTOR BELT TENSION SPRING	X	X	X	X	X
4	53646	MOTOR ADJUSTING STUD NUT	X	X	X	X	X
5	988653-001	MOTOR ADJUSTING STUD	X	X	X	X	X
6	979329-001	RESILIENT MOUNT	X	X	X	X	X
7	988651-001	CLIP	X	X	X	X	X
8	113470-004	MOTOR MOUNTING SCREW	X	X	X	X	X
11C	317281-001	CARBON PILE FOOT CONTROLLER ASS'Y (230V EUROPE)	X	X	X	X	X
11C	319003-003	TRIAC FOOT CONTROLLER ASSEMBLY (UL)	X	X	X	X	
17	317282-901	HOLDER (220/240V)	X				X
18	317421	RECEPTACLE (120V)		X	X	X	
18	317428-900	RECEPTACLE (220/240V)	X				X
19	317355	WIRE CONNECTOR		X	X	X	
20	317356-004	LEAD (A) W/TERMINAL ASSEMBLY	X	X	X	X	X
21	317356-009	LEAD (B) W/TERMINAL ASSEMBLY	X	X	X	X	X

ELECTRICAL EQUIPMENT (CONT.)
 MODEL: 9020N603 N634 N655 N675 N683

REF. NO.	PART NO.	DESCRIPTION	N	N	N	N	N
			6	6	6	6	6
			0	3	5	7	8
			3	4	5	5	3
1A	314823-001	LINT AND HEAT SHIELD ASSEMBLY (230/240V) (FOR 9008N304)		X	X	X	
1B	314823-003	LINT AND HEAD SHIELD ASSEMBLY (120V)	X				X
2A	317439	LAMP SOCKET (230/240V) (FOR 9008N304)		X	X	X	
3	540899	TY-WRAP SELF-LOCKING	X	X	X	X	X
4A	317397-902	LAMP SOCKET ASSEMBLY (120V, DOUBLE INSULATION)	X				
5	113470-003	THREAD TAKE-UP COVER AND LINT/HEAT SHIELD SCREW	X	X	X	X	X
7	137813-002	SCREW, LINT AND HEAT SHIELD MOUNTING	X	X	X	X	X
8	194120-019	LIGHT BULB (120V)	X				X
8	194120-021	LIGHT BULB (240V)		X	X	X	
10	979585-207	ROCKER SWITCH (#3913, ALT: 979585-207-T)	X	X	X	X	X

