

# **SINGER**

**9015N503/9018N503/9027N503/9032N  
503**

# LIST OF PARTS

## *Sewing Machine Models*

9015N503

9018N503

9027N503

9032N503

by **SINGER**\*



A Publication of Product Support  
International Group Engineering

Part No.317161-040B

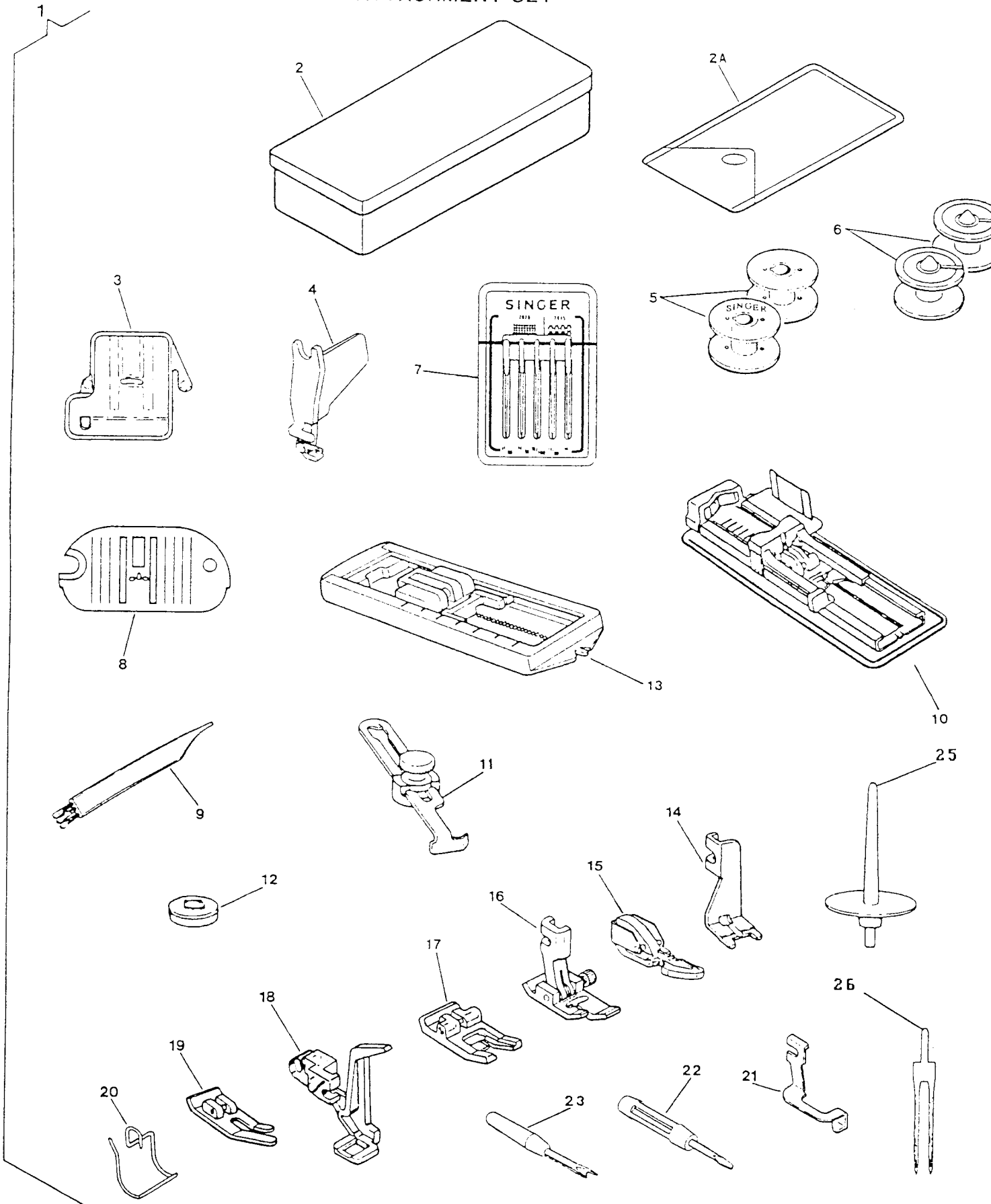
Printed in Taiwan

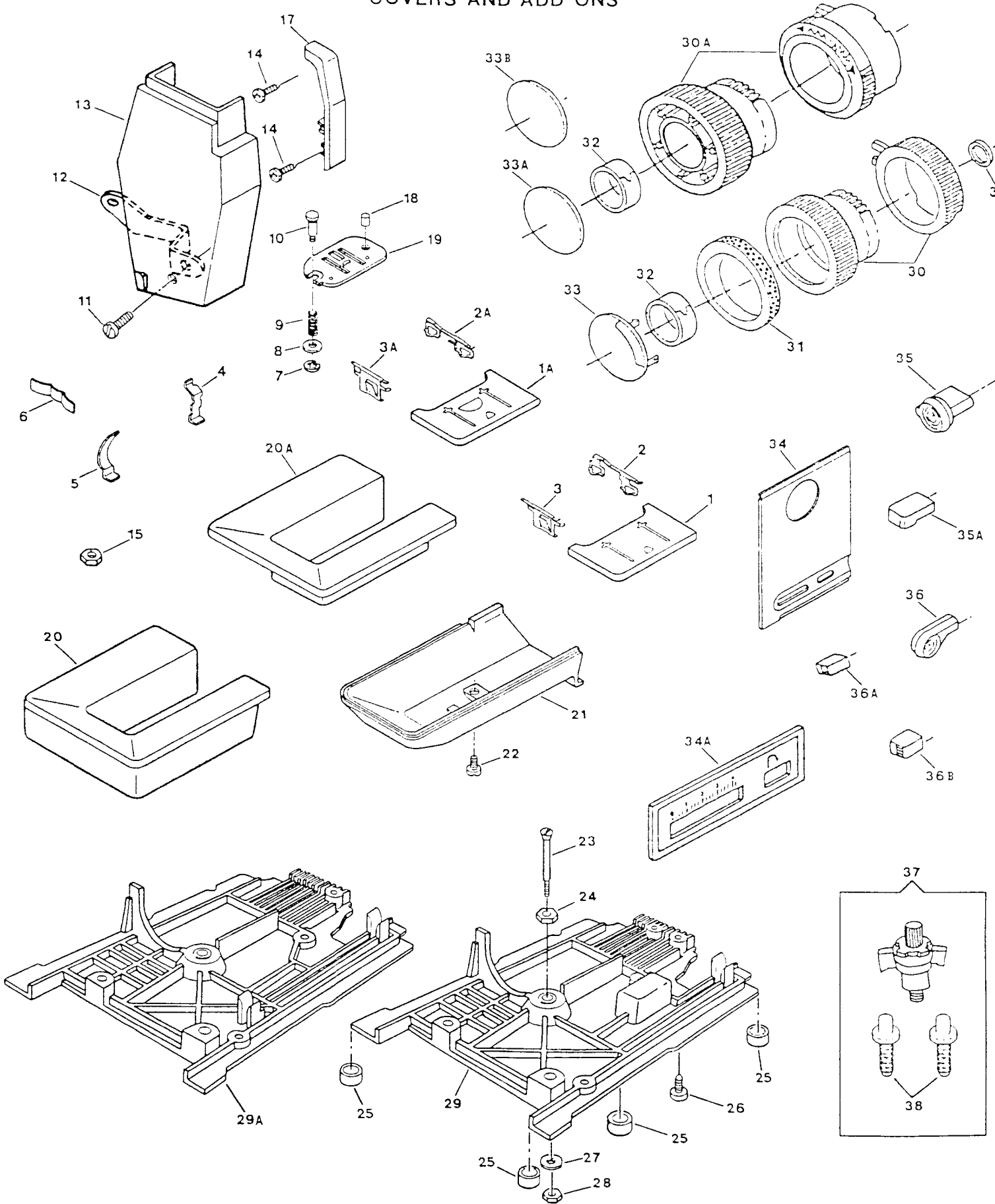
## INDEX

PAGE NO.	SUBASSEMBLY
1 , 2	ATTACHMENT SET
3 , 4	COVERS AND ADD ONS
5 , 8	ARM TOP COVER
9 , 10	ARM SHAFT DRIVE SYSTEM
11, 12	HAND WHEEL
13, 14	COAXIAL PRESSER BAR SYSTEM
15, 16	NEEDLE BAR & THREAD TAKE-UP
17, 18	ALPHA FEED
19, 20	HOOK SYSTEM (APOLLO)
21, 22	HOOK AND BOBBIN WINDING SYSTEM (CENTAUR)
23, 28	PATTERN, STITCH LENGTH CONTROL & CAM CONTROLLED FEED
29, 30	DEMAND RESPONSIVE NEEDLE TENSION SYTEM
31, 34	ELECTRICAL EQUIPMENT

ATTACHMENT SET  
 MODEL: 9015 9018 9027 9032 (N503)

REF. PART NO.	PART NO.	DESCRIPTION	9N	9N	9N	9N
			05	05	05	05
			10	10	20	30
			53	83	73	23
1	313030-101	ATTACHMENT COMPLETE	X	X	X	X
2A	317396	ACCESSARY BAG	X	X	X	X
3	313117	FEED COVER PLATE	X	X	X	X
5	172336-001	BOBBIN (APOLLO)	X	X	X	X
7	353364	NEEDLE PACK	X	X	X	X
9	546358-453	LINT BRUSH	X	X	X	X
13	313992-451	PRESSER FOOT PLATE (4-STEPS) FOR SEWING BUTTONHOLE	X	X	X	X
15	171480	PRESSER FOOT PLATE FOR CORDING AND SLIDE FASTENERS COMPLETE	X	X	X	X
17	171463	SPECIAL PURPOSE PRESSER FOOT PLATE	X	X	X	X
21	171110	BLINDSTITCH GUIDE	X	X	X	X
25	313026-453	TWIN NEEDLE SPOOL PIN				X
26	N2025-014	TWIN NEEDLE (SIZE 14)				X





COVERS AND ADD ONS  
 MODEL: 9015 9018 9027 9032 (N503)

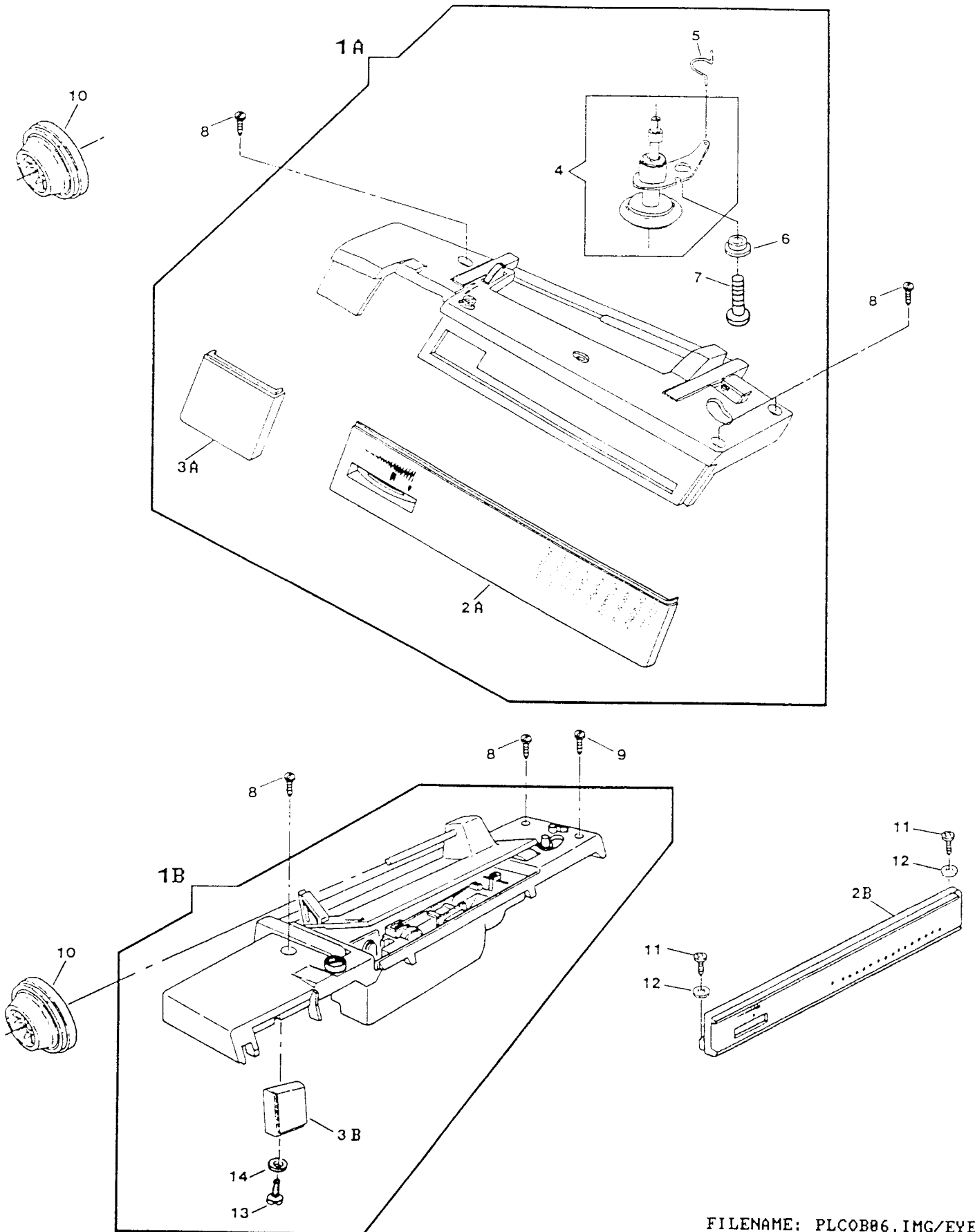
REF. PART NO.	DESCRIPTION	9N	9N	9N	9N
		05	05	05	05
		10	10	20	30
		53	83	73	23
1	314666 BED SLIDE ASSEMBLY COMPLETE (APOLLO)	X	X	X	X
2	314669 BED SLIDE SPRING (RIGHT)	X	X	X	X
3	314670 BED SLIDE SPRING (LEFT)	X	X	X	X
4	313178 BED SLIDE STOP	X	X	X	X
5	313179 BED SLIDE STOP SPRING	X	X	X	X
6	313118 CLOTH PLATE SPRING	X	X	X	X
7	313098 THROAT PLATE POUNGER RETAINING RING	X	X	X	X
8	549426-451 THROAT PLATE PUNGER WASHER	X	X	X	X
9	312805 THROAT PLATE PLUNGER SPRING	X	X	X	X
10	312804 THROAT PLATE PLUNGER	v	v	v	v
11	157250-451 FACE PLATE MOUNTING SCREW	X		X	X
12	317226 FACE PLATE MOUNTING BRACKET	X	X	X	X
13	314259-008 FACE PLATE COMPLETE (#3913)	X	X	X	X
14	113470-003 THREAD TAKE-UP COVER MOUNTING SCREW	X	X	X	X
15	313049 BED INSERT NUT	X	X	X	X
17	137915-009 THREAD TAKE-UP COVER COMPLETE (#310K)	X	X	X	X
18	353624 THROAT PLATE LOCATING PIN	X	X	X	X
19	312777 THROAT PLATE FOR ZIG-ZAG SEWING	X	X	X	X
20A	317379-901 CLOTH PLATE	X	X	X	X
21	312773-454 BED COVER (TUBULAR)	X	X	X	X
22	354633-452 BED COVER (TUBULAR) SCREW	X	X	X	X
23	313052-451 BOTTOM COVER MOUNTING BOLT	X	X	X	X
24	313173-451 BOTTOM COVER MOUNTING BOLT RETAINING NUT	X	X	X	X
25	313909-451 BED LEG CUSHION	X	X	X	X
26	113455-002 BED COVER PLATE (BOTTOM) SCREW	X	X	X	X
27	314712-451 BOTTOM COVER MOUNTING BOLT WASHER	X	X	X	X
28	313177-452 BOTTOM COVER MOUNTING BOLT MOUNTING NUT	X	X	X	X
29A	314774-001 BED COVER PLATE (BOTTOM)	X	X	X	X
30A	314239-472 PATTERN SELECTOR KNOB AND STITCH BALANCE KNOB KIT ASSEMBLY	X	X	X	X
32	313535 PATTERN SELECTOR KNOB COMPRESSION RING	X	X	X	X
33A	314744-498 PATTERN SELECTOR KNOB TRIM PLATE	X			
33A	314744-499 PATTERN SELECTOR KNOB TRIM PLATE		X		
33A	314744-501 PATTERN SELECTOR KNOB TRIM PLATE			X	X
34A	317009-026 STITCH LENGTH CONTROL PANEL WITH GRAPHICS	X	X	X	X
35A	312657-468 REVERSE FEED CONTROL LEVER KNOB (PLASTIC)	X	X	X	X
36A	314676-468 BIGHT AMPLITUDE CONTROL LEVER KNOB (PLASTIC)	X	X	X	X
36B	312664-469 STITCH LENGTH CONTROL LEVER KNOB AND TENSION REGULATING KNOB (PLASTIC) AND NEEDLE POSITION CONTROL LEVER KNOB	X	X	X	X
37	313180 MACHINE HOLD DOWN MOUNTING KIT	X	X	X	X
38	148869 MACHINE LOCATOR PIN	X	X	X	X

ARM TOP COVER  
 MODEL: 9015 9018 9027 9032 (N503)

REF. PART NO.	PART NO.	DESCRIPTION	9N 05	9N 10	9N 20	9N 30
			53	83	73	23
1A	317027-021	ARM TOP COVER COMPLETE WITH HANDLE				X
1A	317027-022	ARM TOP COVER COMPLETE WITH HANDLE			X	
1A	317122-082	ARM TOP COVER COMPLETE WITH GRAPHICS	X			
1A	317122-083	ARM TOP COVER COMPLETE WITH HANDLE		X		
2A	137592-901	CONTROL PANEL WITH GRAPHICS			X	
2A	314640-957	CONTROL PANEL WITH GRAPHICS	X			
2A	314640-958	CONTROL PANEL WITH GRAPHICS		X		
2A	317197-908	CONTROL PANEL WITH GRAPHICS				X
3A	314703-925	CONTROL PANEL EXTENSION WITH GRAPHICS	X	X	X	X
4	312901	BOBBIN WINDER ASSEMBLY	X	X	X	X
5	312897	BOBBIN WINDER LEVER SPRING	X	X	X	X
6	312613	BOBBIN WINDER LEVER HING SCREW SHOULDER WASHER	X	X	X	X
7	354927-004	BOBBIN WINDER LEVER HINGE SCREW	X	X	X	X
8	354927-001	ARM TOP COVER MOUNTING SCREW	X	X	X	X
10	179967-461	SPOOL PIN THREAD LEAD-OFF	X	X	X	X



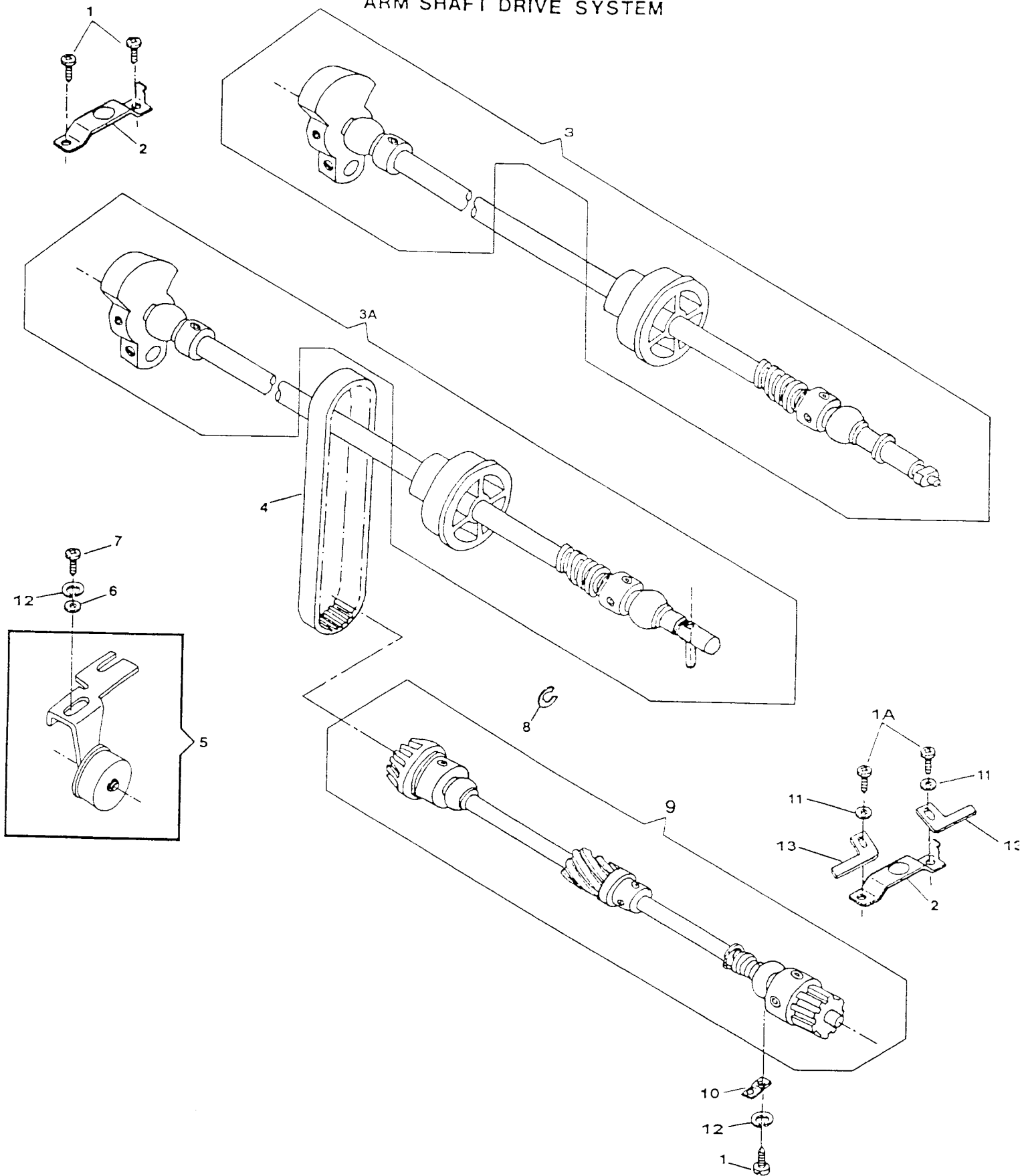
ARM TOP COVER

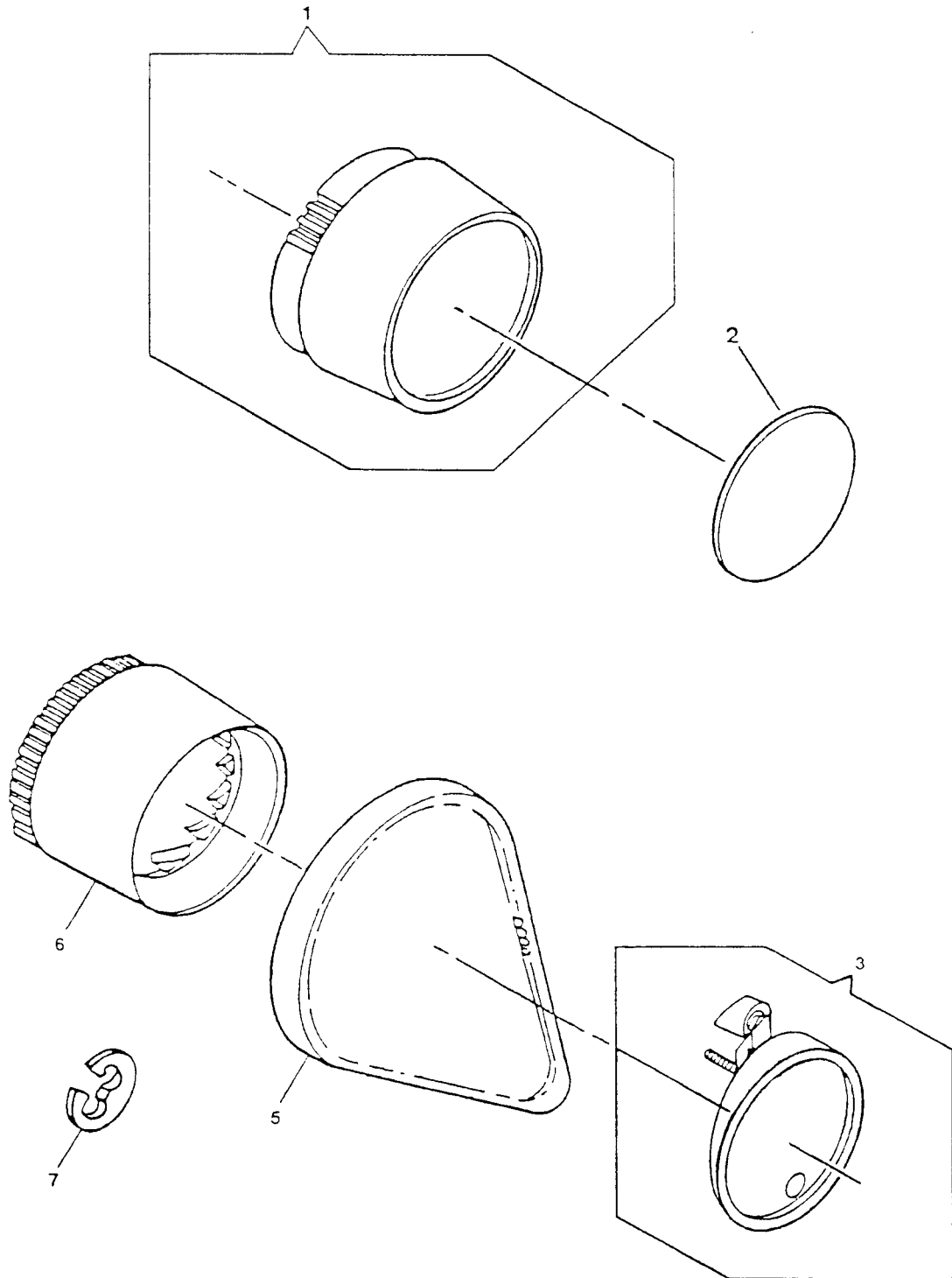


ARM SHAFT DRIVE SYSTEM  
MODEL: 9015 9018 9027 9032 (N503)

REF. PART NO. NO.	DESCRIPTION	9N	9N	9N	9N	
		05	05	05	05	
		10	10	20	30	
		53	83	73	23	
1	113455-002	ARM SHAFT (HORIZONTAL) BUSHING (LEFT) CLAMP SCREW	X	X	X	X
1A	113455-004	ARM SHAFT (HORIZONTAL) BUSHING (RIGHT) CLAMP SCREW	X	X	X	X
2	312796	ARM SHAFT (HORIZONTAL) BUSHING (LEFG & RIGHT) CLAMP	X	X	X	X
3B	286580-001	ARM SHAFT ASSEMBLY (APOLLO)	X	X	X	X
4	603975-011	BELT (ROTATING HOOK DRIVE) ALT: 603975-012	X	X	X	X
5	313195	IDLER BRACKET ASSEMBLY	X	X	X	X
6	314041-451	ROTATING HOOK DRIVING BELT TENSION ADJUSTER SCREW WASHER	X	X	X	X
7	113455-002	ROTATING HOOK DRIVING BELT TENSION ADJUSTER SCREW	X	X	X	X
8	313153	HAND WHEEL RETAINING RING	X	X	X	X
9	370560	ROTATING HOOK DRIVE SHAFT SUB-ASSEMBLY	X	X	X	X
10	313816	ROTATING HOOK DRIVE SHAFT BUSHING (SELF-ALIGNING) CLAMP	X	X	X	X
11	316164	WASHER, ROTATING HOOK DRIVE SHAFT BUSHING (SELF-ALIGNING) CLAMP SCREW	X	X	X	X
12	314013-451	LOCK WASHER, ROTATING HOOK DRIVING BELT TENSION ADJUSTER SCREW	X	X	X	X
13	137873	MOTOR BELT STOP PLATE	X	X	X	X

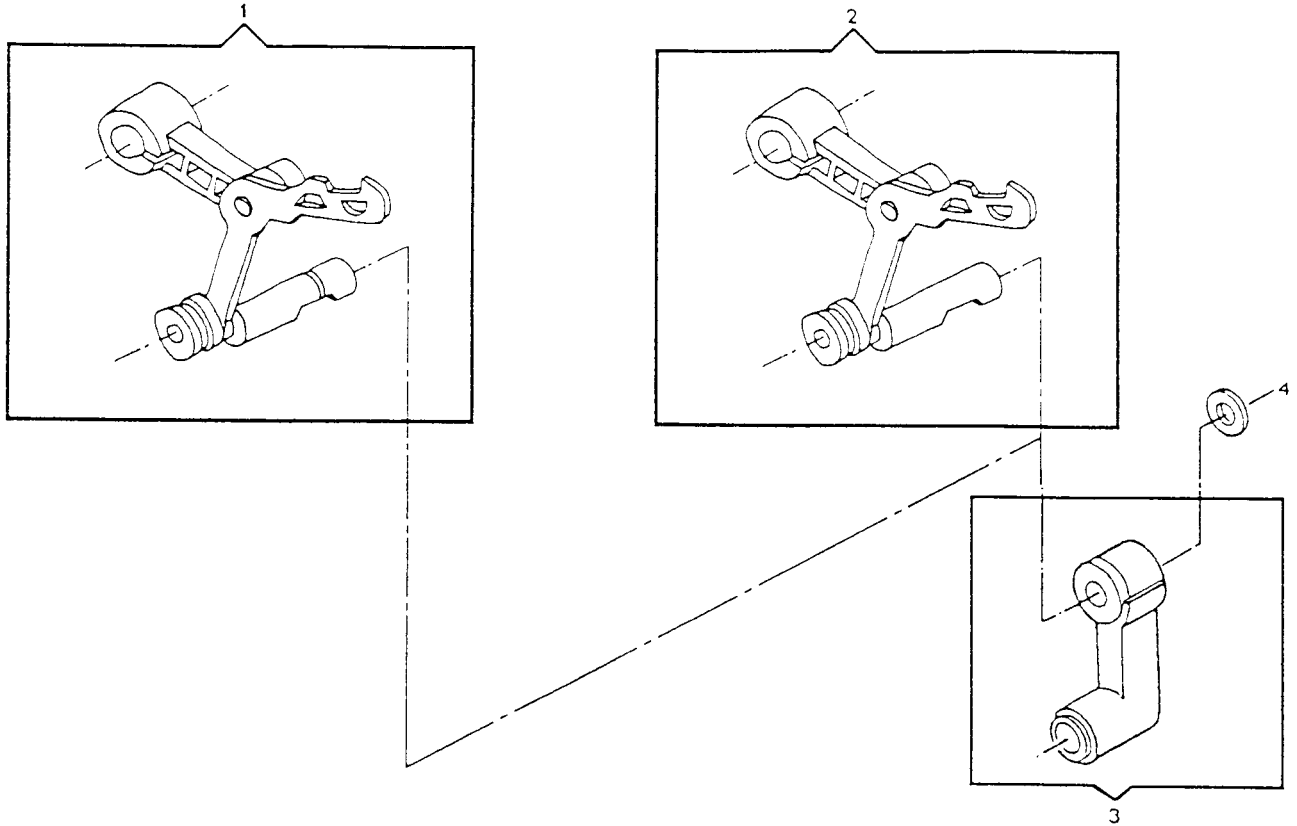
# ARM SHAFT DRIVE SYSTEM





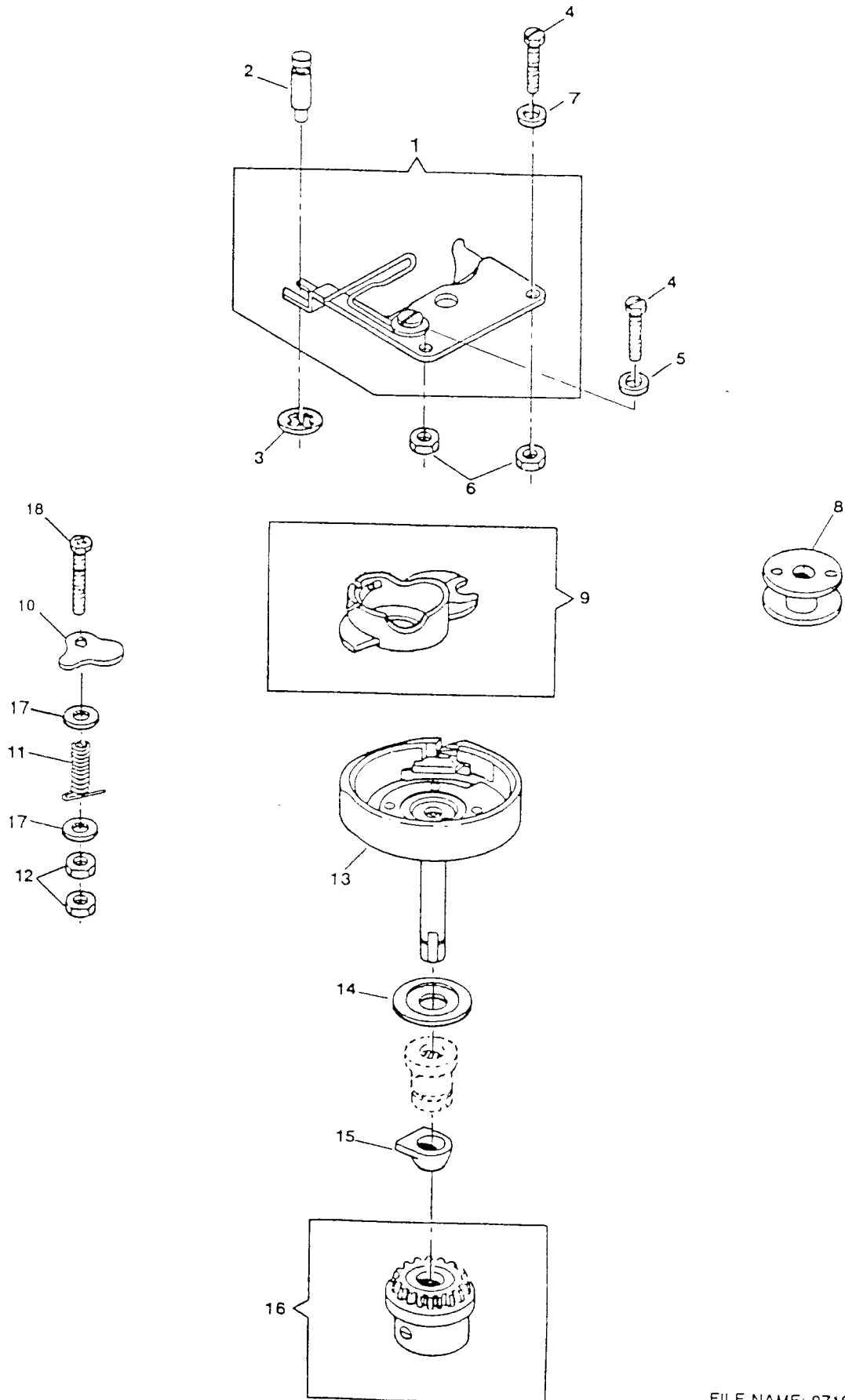
HAND WHEEL  
 MODEL: 9015 9018 9027 9032 (N503)

REF. PART NO.	PART NO.	DESCRIPTION	9N 05 10 53	9N 05 10 83	9N 20 73	9N 30 23
3	316070-001	HAND WHEEL CLUTCH PLATE ASSEMBLY	X	X	X	X
5	312628-001	BELT (MOTOR DRIVE) ALT: 979285-001	X	X	X	X
6	137892-451	HAND WHEEL	X	X	X	X
7	313153	HAND WHEEL RETAINING RING	X	X	X	X



NEEDLE BAR & THREAD TAKE-UP  
 MODEL: 9015 9018 9027 9032 (N503)

REF. PART NO.	PART NO.	DESCRIPTION	9N	9N	9N	9N
			05	05	05	05
			10	10	20	30
			53	83	73	23
1	314694	THREAD TAKE-UP COMPLETE (APOLLO)	X	X	X	X
3	137528-901	NEEDLE BAR CONNECTING LINK	X	X	X	X
4	314071	WASHER, THREAD TAKE-UP LEVER	X	X	X	X

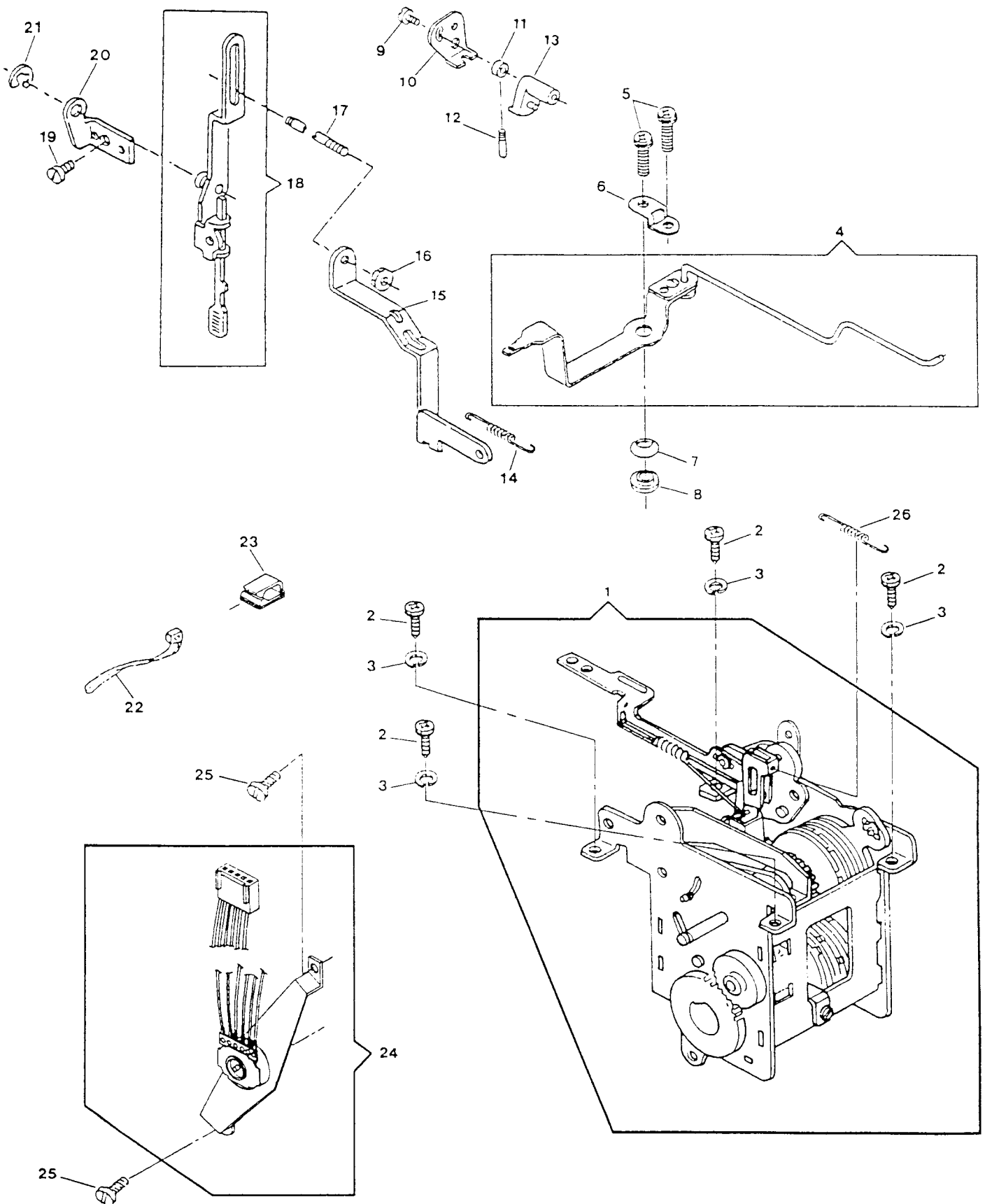




HOOK SYSTEM (APOLLO)  
MODEL: 9015 9018 9027 9032 (N503)

REF. NO.	PART NO.	DESCRIPTION	9N 05 10 53	9N 05 10 83	9N 05 20 73	9N 05 30 23
1	313089	ROTATING HOOK BOBBIN CASE POSITION PLATE ASSEMBLY	X	X	X	X
2	312603	ROTATING HOOK BOBBIN CASE POSITION PLATE HOLD DOWN STUD	X	X	X	X
3	313161	ROTATING HOOK BOBBIN CASE POSITION PLATE HOLD DOWN STUD RETAINER	X	X	X	X
4	113439-451	ROTATING HOOK BOBBIN CASE POSITION PLATE SCREW	X	X	X	X
5	313190-451	ROTATING HOOK BOBBIN CASE POSITION PLATE SCREW WASHER	X	X	X	X
6	313945-451	ROTATING HOOK BOBBIN CASE POSITION PLATE SCREW NUT	X	X	X	X
7	446138	ROTATING HOOK BOBBIN CASE POSITION PLATE SCREW WASHER (RIGHT)	X	X	X	X
8	172336-001	ROTATING HOOK BOBBIN (PLASTIC)	X	X	X	X
9	421325	ROTATING HOOK BOBBIN CASE COMPLETE	X	X	X	X
10	313395-900	ROTATING HOOK BOBBIN CASE RETAINING PLATE SUB-ASSEMBLY	X	X	X	X
11	44892	ROTATING HOOK BOBBIN CASE RETAINING PLATE STUD SPRING	X	X	X	X
12	514674-451	ROTATING HOOK BOBBIN CASE RETAINING PLATE STUD RETAINING RING	X	X	X	X
13	447926-932	ROTATING HOOK COMPLETE	X	X	X	X
14	314049-001	ROTATING HOOK FLANGED BUSHING THRUST WASHER	X	X	X	X
15	312847	ROTATING HOOK FLANGED BUSHING WASHER	X	X	X	X
16	314012	ROTATING HOOK BEVEL GEAR COMPLETE	X	X	X	X
17	931929-004	WASHER, BOBBIN CASE RETAINING	X	X	X	X
18	137315-453	ROTATING HOOK BOBBIN CASE RETAINING PLATE SCREW	X	X	X	X

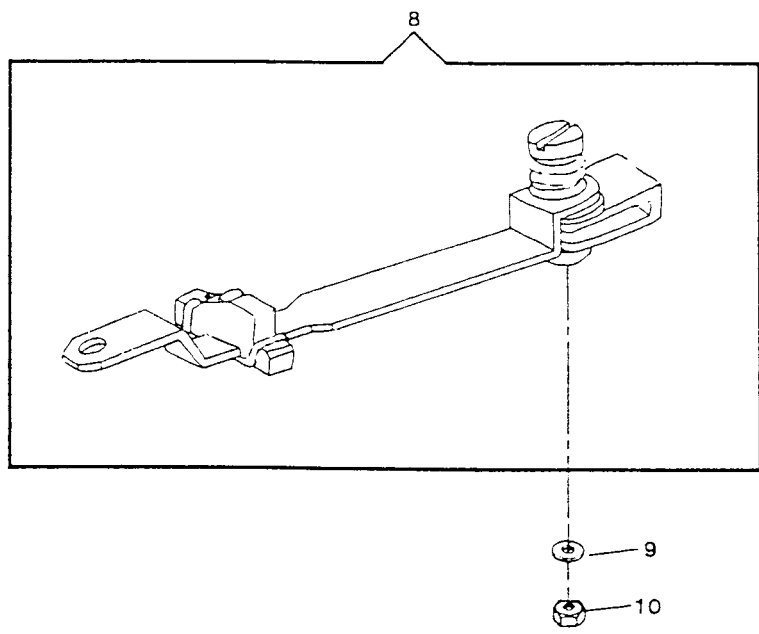
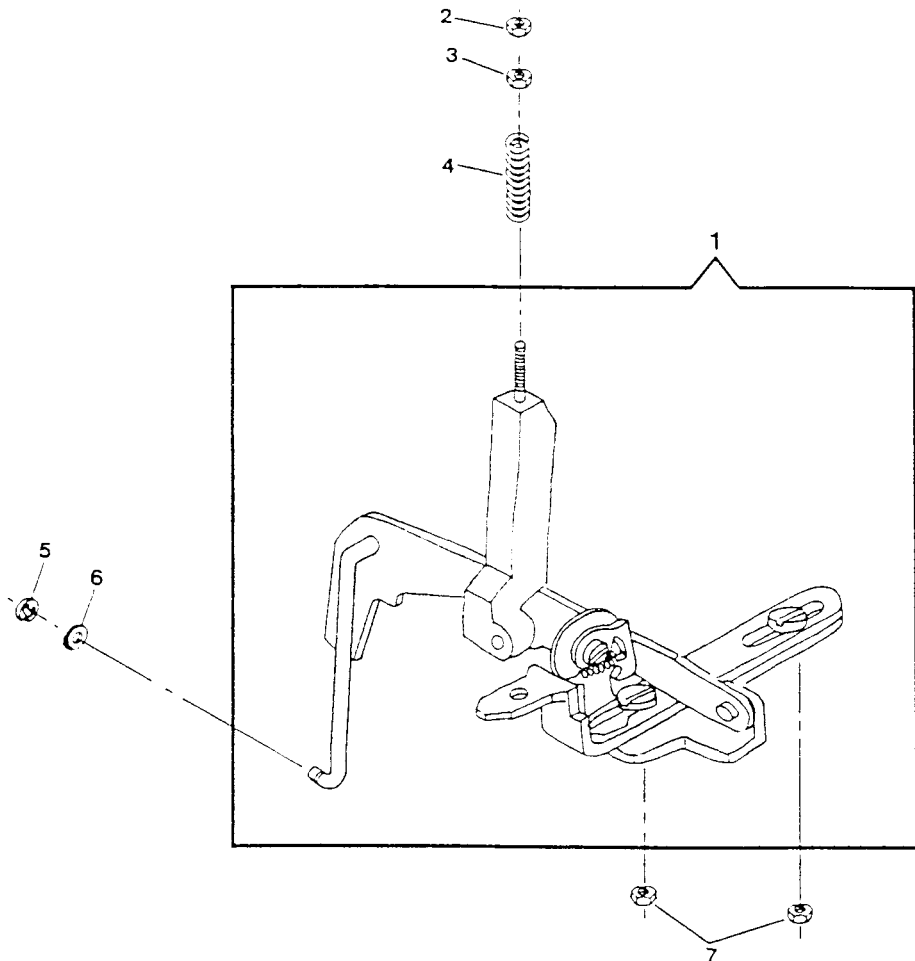
PATTERN STITCH LENGTH CONTROL AND CAM CONTROLLED FEED



PATTERN, STITCH LENGTH CONTROL & CAM CONTROLLED FEED  
 MODEL: 9015 9018 9027 9032 (N503)

REF. PART NO. NO.	DESCRIPTION	9N 05 10 53	9N 05 10 83	9N 05 20 73	9N 05 30 23
1 314601-007	PATTERN SELECTOR MODULE	X			
1 314601-012	PATTERN SELECTOR MODULE		X		
1 317407-001	PATTERN SELECTOR MODULE				X
1 317407-002	PATTERN SELECTOR MODULE			X	
2 113455-001	DISCSELECTOR MECHANISM MOUNTING PLATE SCREW (LEFT AND RIGHT)	X	X	X	X
3 314013-451	DISC SELECTOR MECHANISM MOUNTING PLATE SCREW (LEFT AND RIGHT)	X	X	X	X
4 314607-003	BIGHT AMPLITUDE CONTROL LEVER ASSEMBLY	X	X	X	X
5 113455-001	BIGHT AMPLITUDE CONTROL LEVER STOP ADJUSTMENT SCREW	X	X	X	X
6 314683	BIGHT AMPLITUDE CONTROL LEVER RETAINER	X	X	X	X
7 353457	BIGHT AMPLITUDE CONTROL LEVER FRICTION WASHER	X	X	X	X
8 314611	BIGHT AMPLITUDE CONTROL LEVER SHOULDER WASHER	X	X	X	X
26 314497	NEEDLE BAR DRIVING ARM SLIDE POSITIONING SPRING	X	X	X	X

PATTERN STITCH LENGTH CONTROL AND CAM CONTROLLED FEED (CONT.)

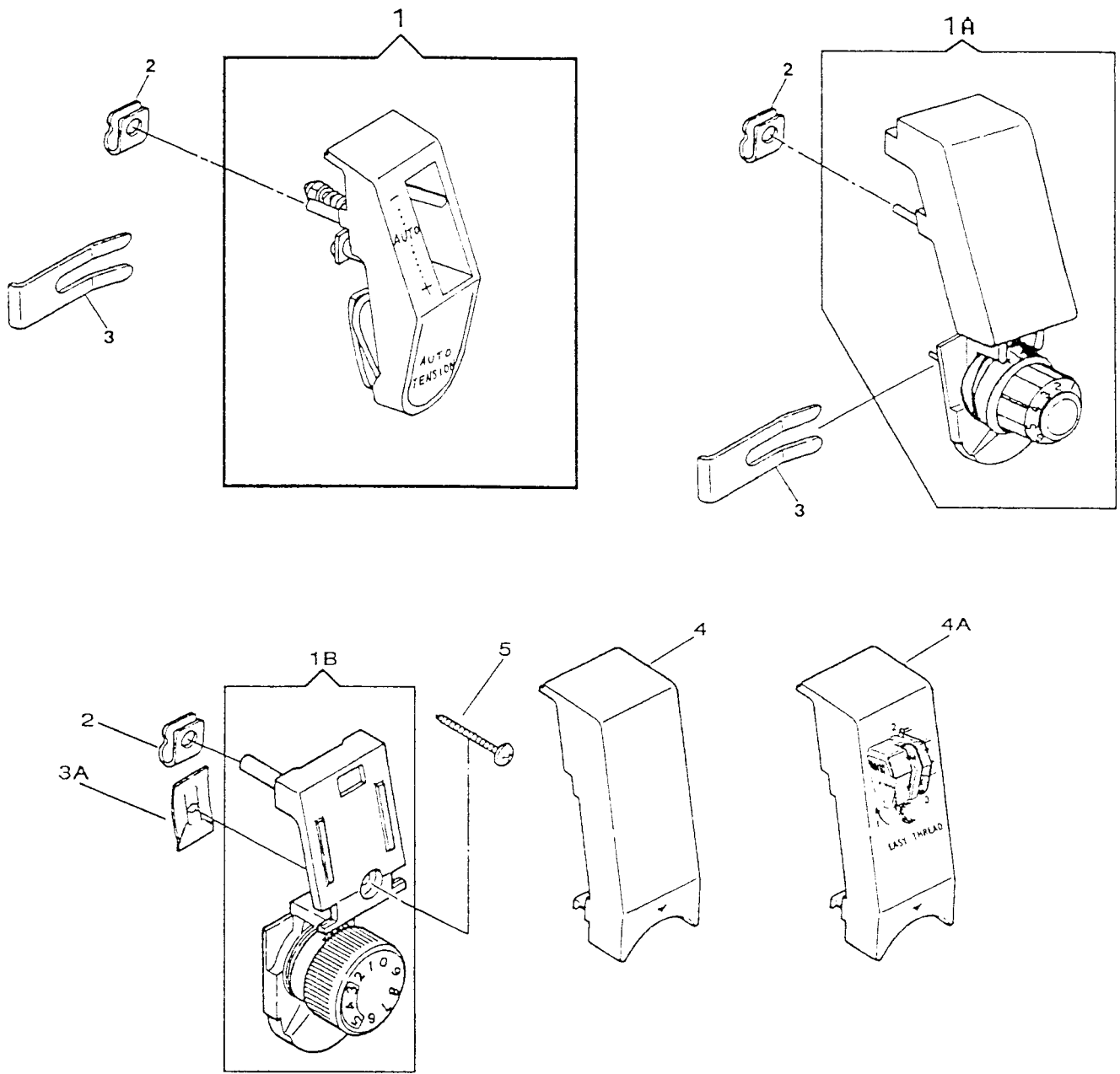


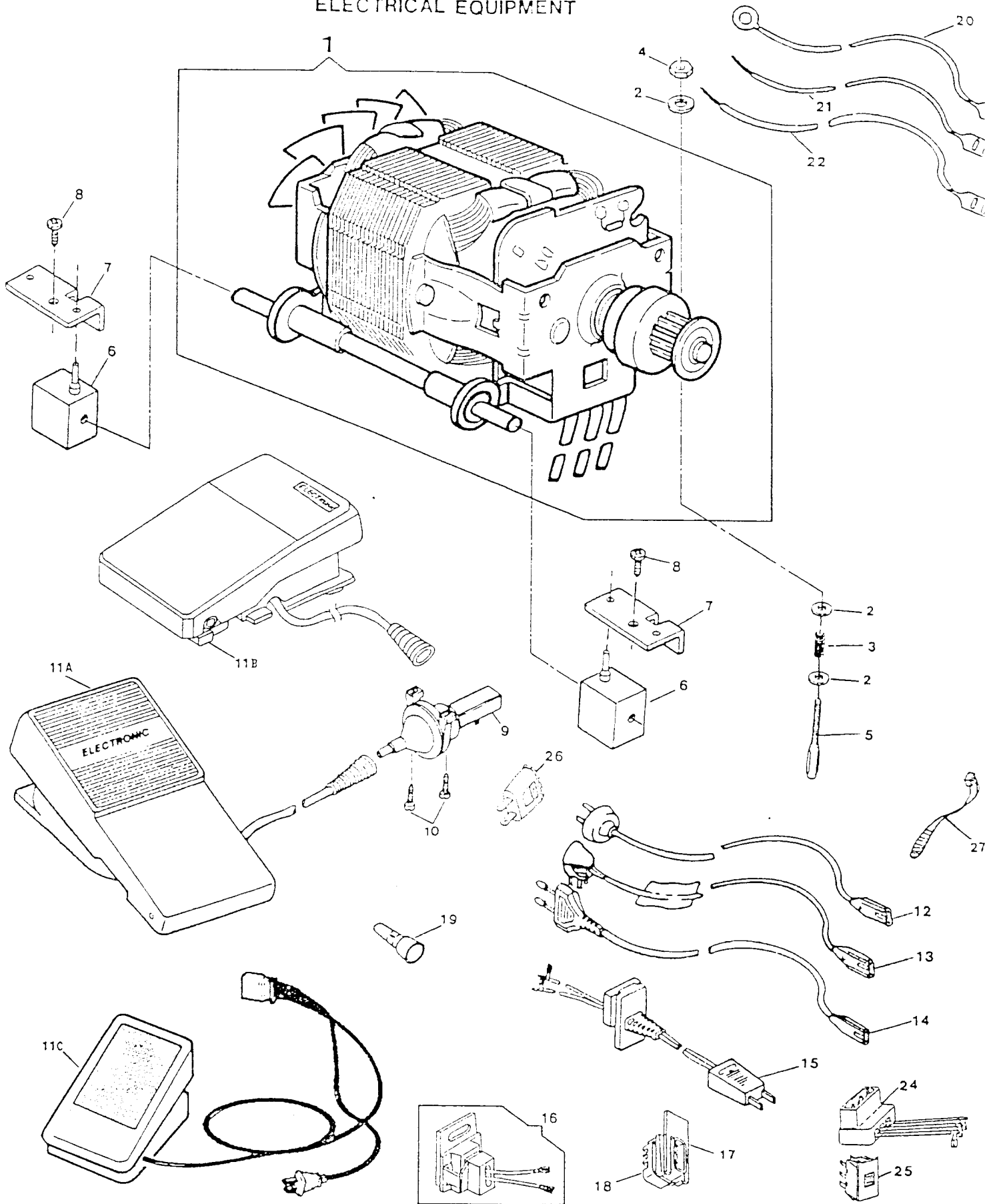
PATTERN, STITCH LENGTH CONTROL & CAM CONTROLLED FEED (CONT.)  
 MODEL: 9015 9018 9027 9032 (N503)

REF. PART NO.	PART NO.	DESCRIPTION	9N 05	9N 10	9N 20	9N 30
			53	83	73	23
1	314300-001	FEED REVERSE MECHANISM	X	X	X	X
2	514674-451	CAM CONTROLLED FEED CONNECTING ROD LOCKING NUT	X	X	X	X
3	312645-451	CAM CONTROLLED FEED DISC FOLLOWER ACTUATOR CONNECTING ROD ADJUSTING	X	X	X	X
4	313143	CAM CONTROLLED FEED DISC FOLLOWER ACTUATOR CONNECTING ROD SPRING	X	X	X	X
5	312702	FEED LEVER CONNECTING LINK RETAINING RING	X	X	X	X
6	313891	CAM CONTROLLED FEED CONNECTING ROD STABILIZING WASHER	X	X	X	X
7	514674-451	REVERSE FEED CONTROL LEVER GUIDE SCREW NUT	X	X	X	X
8	313569-001	STITCH LENGTH CONTROL LEVER ASSEMBLY	X	X	X	X
9	314712-451	STITCH LENGTH CONTROL LEVER PIVOT LOCK WASHER	X	X	X	X
10	313177-451	STITCH LENGTH CONTROL LEVER NUT	X	X	X	X

DEMAND RESPONSIVE NEEDLE TENSION SYSTEM  
 MODEL: 9015 9018 9027 9032 (N503)

REF. PART NO.	PART NO.	DESCRIPTION	9N	9N	9N	9N
			05	05	05	05
			10	10	20	30
			53	83	73	23
1B	137574-001	THREAD TENSION MODULE	X	X	X	X
2	313199	TENSION COVER MOUNTING RETAINER	X	X	X	X
3A	137584	TENSION COVER RETAINING CLIP	X	X	X	X
4A	137698-001	TENSION COVER ASSY (FRONT) WITH THREADING INSTRUCTION LABEL	X	X	X	X
5	137588-451	TAPPING SCREW	X	X	X	X







ELECTRICAL EQUIPMENT  
MODEL: 9015 9018 9027 9032 (N503)

REF. PART NO. NO.	DESCRIPTION	9N 05 10 53	9N 05 10 83	9N 05 20 73	9N 05 30 23
1 317352	MOTOR COMPLETE (120V CARBON PILE)	X	X	X	X
2 37969	MOTOR ADJUSTING STUD NUT WASHER	X	X	X	X
3 314058-001	MOTOR BELT TENSION SPRING	X	X	X	X
4 53646	MOTOR ADJUSTING STUD NUT	X	X	X	X
5 988653-001	MOTOR ADJUSTING STUD	X	X	X	X
6 979329-001	RESILIENT MOUNT	X	X	X	X
7 988651-001	CLIP	X	X	X	X
8 113470-004	MOTOR MOUNTING SCREW	X	X	X	X
11C 319003-003	TRIAC FOOT CONTROLLER ASSEMBLY	X	X	X	X
11C 319003-006	TRIAC FOOT CONTROLLER COMPLETE (CANADA)	X	X	X	X
11C 319003-006	TRIAC FOOT CONTROLLER COMPLETE (CANADA)	X	X	X	
18 317421	RECEPTACLE (120V)	X	X	X	X
19 317355	WIRE CONNECTOR	X	X	X	X
20 317356-001	LEAD (A) W/TERMINAL ASSEMBLY (120V)	X	X	X	X
21 317356-002	LEAD (B) W/TERMINAL ASSEMBLY (120V)	X	X	X	X

ELECTRICAL EQUIPMENT (CONT.)  
 MODEL: 9015 9018 9027 9032 (N503)

REF. PART NO.	PART NO.	DESCRIPTION	9N	9N	9N	9N
			05	05	05	05
			10	10	20	30
			53	83	73	23
1B	314823-003	LINT AND HEAD SHIELD ASSEMBLY (120V)	X	X	X	X
3	540899	TY-WRAP SELF-LOCKING	X	X	X	X
4A	317397-902	LAMP SOCKET ASSEMBLY (120V, DOUBLE INSULATION)	X	X	X	X
5	113470-003	THREAD TAKE-UP COVER AND LINT/HEAT SHIELD SCREW	X	X	X	X
7	137813-002	SCREW, LINT AND HEAT SHIELD MOUNTING	X	X	X	X
8	194120-019	LIGHT BULB (120V) (ALT:542656-005) (DUAL VOLTAGE FOR U.S.A/KOREA/GERMANY & H.K.)	X	X	X	X
10	979585-207	ROCKER SWITCH (#3913)	X	X	X	X

