

LIST OF PARTS

SEWING MACHINES MODELS

SERIES — 900, 3000

by

SINGER*

* REGISTERED TRADEMARK

NOMENCLATURE

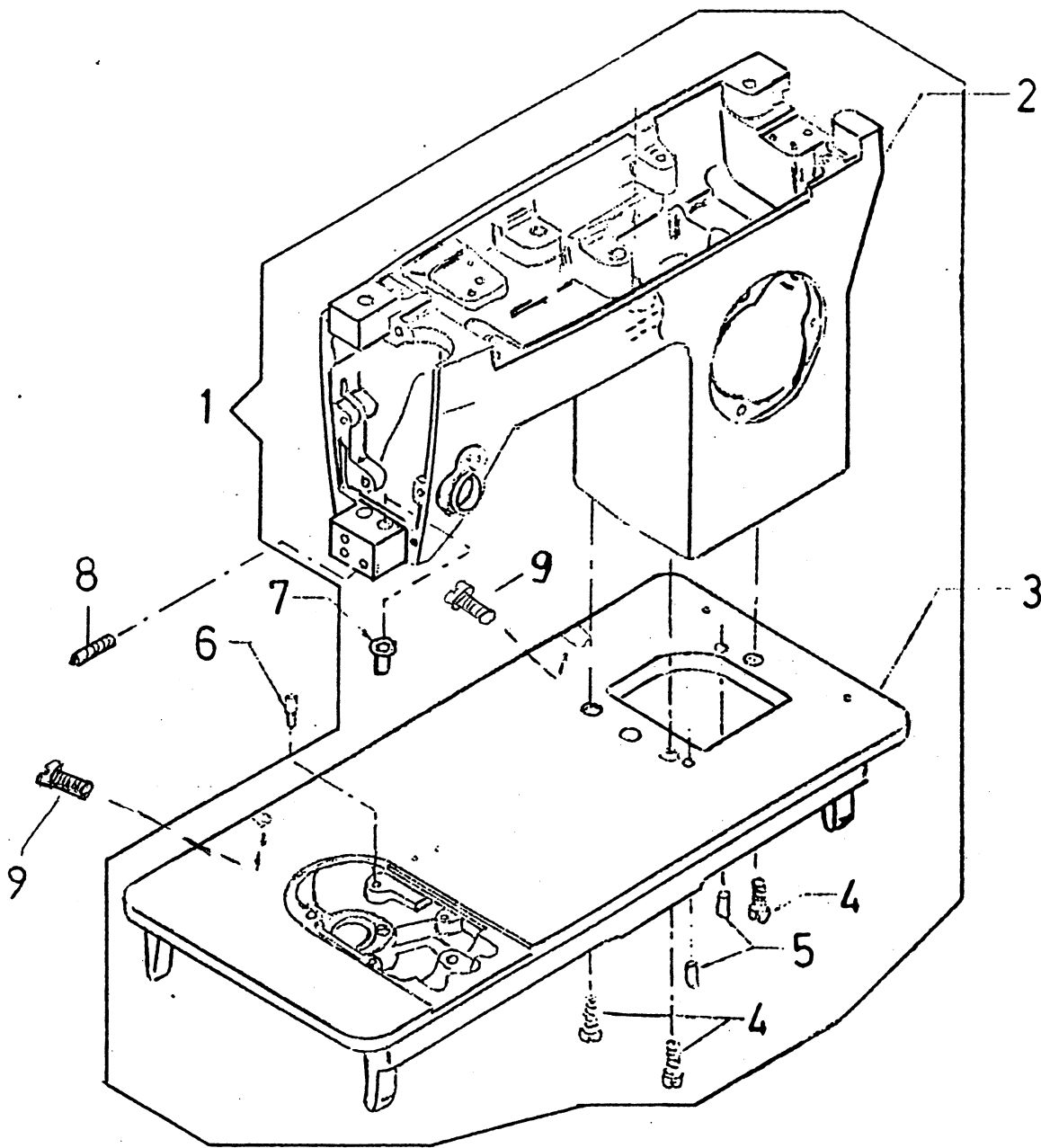
=====

TYPE:

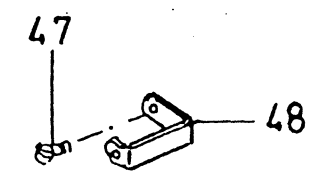
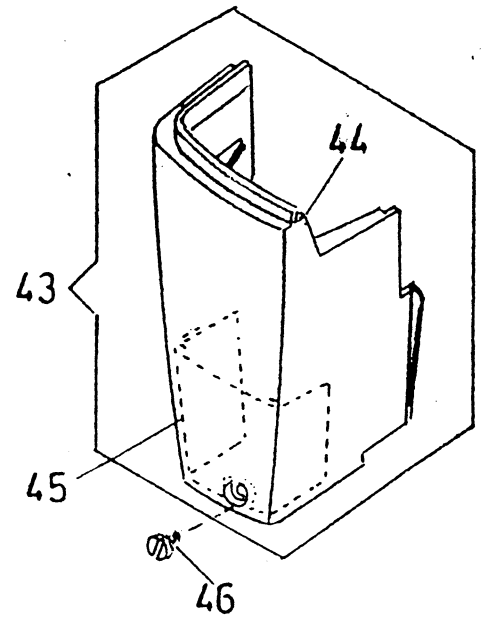
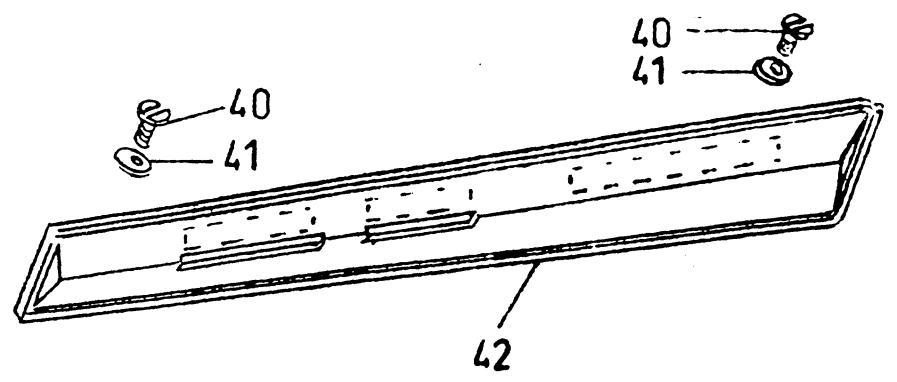
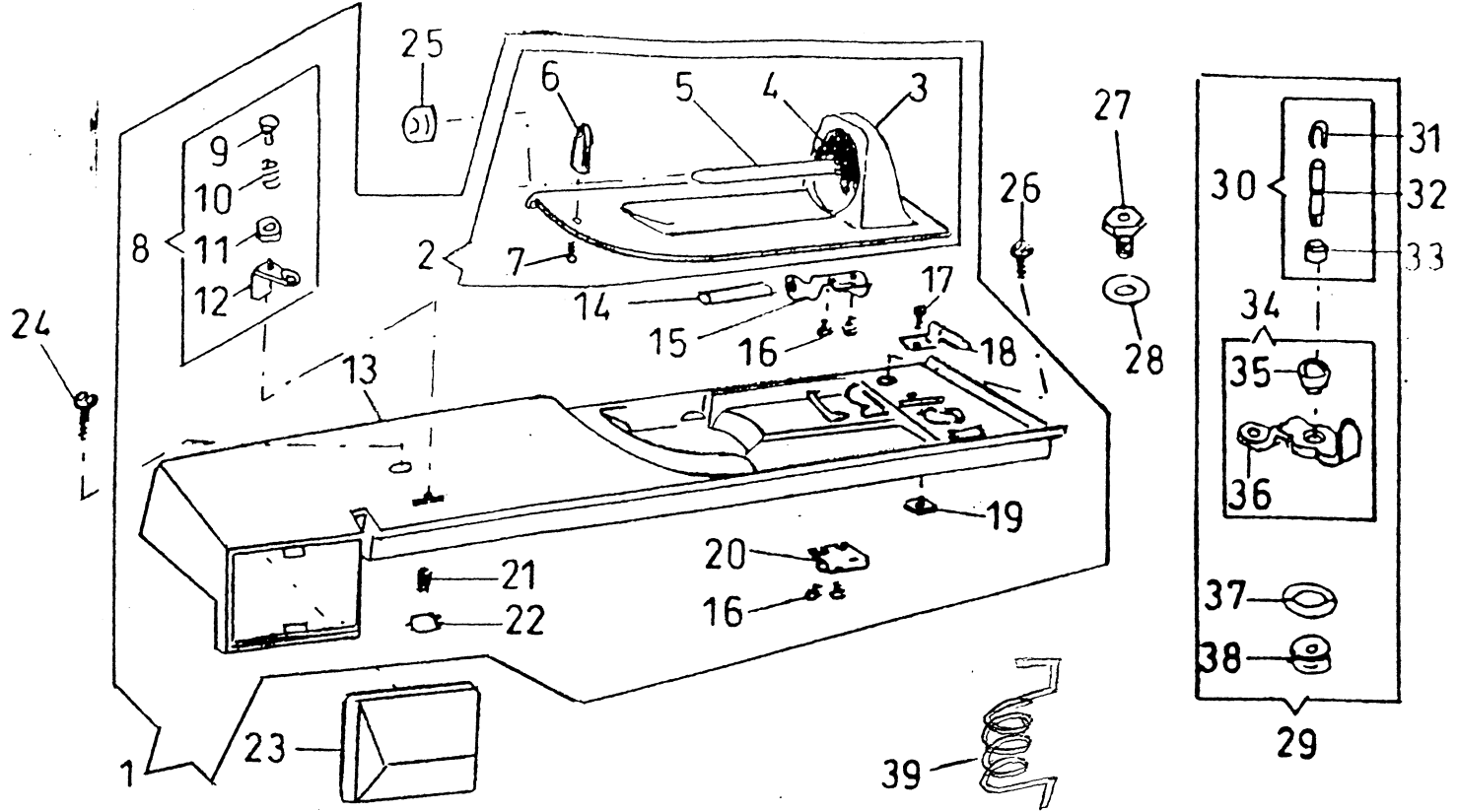
(2)	SUB ENSSEMBLY
(4)	PURCHASED PARTS

CLASS:

(AL)	ZINC DIE CAST PARTS
(FO)	PHOTOENGRAVING
(HG)	CAST IRON PARTS
(PB)	PLASTIC & BAKELITE PARTS
(PT)	FINISH PARTS
(RE)	SPRING
(ST)	POWDER METAL PARTS
(TF)	COLD HEAD SCREW
(TO)	TURNING PARTS
(TQ)	PUNCHING PARTS
(XB)	IMPORTED BRASIL PARTS
(XT)	IMPORTED TAIWAN PARTS
(XJ)	IMPORTED SOGAWA PARTS
(XE)	IMPORTED EDISON PARTS
(SU)	SUBASSEMBLY PARTS



ENSAMBLE CABEZA DE MAQUINA



CUBIERTA SUPERIOR Y PLACA FRONTAL

LISING2

ARM TOP COVER & CONTROL PANEL

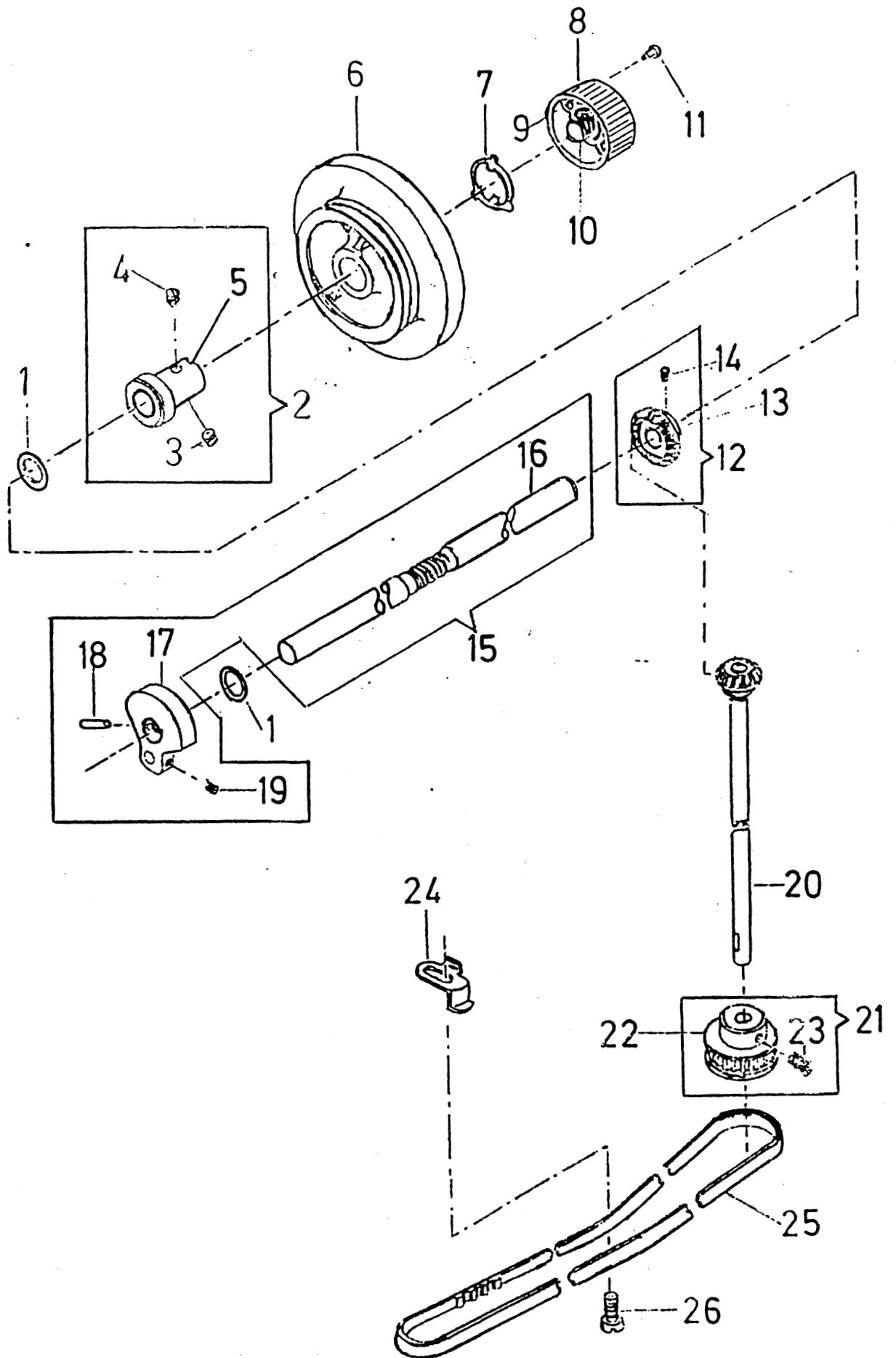
T	C	MODELS						3	3
Y	L	9	9	9	9	9	1	1	
P	A	7	7	6	6	6	4	0	
E	S	4	2	8	6	4	0	2	
S	B	B	B	B	B	B	B	K	

REF. PART NBR

DESCRIPTION

1	QRO-1247-010	ARM TOP COVER COMPLETE	4	SU	XX				X
2	447345-001	ARM TOP COVER LID COMPLETE	2	SU	X	X			X
3	44980-905	TOP COVER LID (SNOW WHITE)	4	PB	X	X			X
4	14467-901	SPOOL PIN CUSHION	4	PT	X	X			X
5	44661-905	SPOOL PIN (SNOW WHITE)	4	PB	X	X			X
6	44537-455	THREAD GUIDE TOP COVER LID	4	PB	X	X			X
7	139862-1019	THREAD GUIDE SCREW	4	TF	X	X			X
8	44368	BOBBIN WINDER TENSION COMPLETE	2	SU	X	X	X	X	X
9	22238-997	RIVET BOBBIN WINDER	2	TO	X	X	X	X	X
10	45847	DISC SPRING	4	RE	X	X	X	X	X
11	45915	THREAD GUIDE DISC	4	TQ	X	X	X	X	X
12	44366	THREAD GUIDE TOP COVER	4	TQ	X	X	X	X	X
13	44676-905	ARM TOP COVER COMPLETE	4	PB	X	X			X
14	44641	ARM TOP COVER LID HINGE PIN	2	TO	X	X			X
15	44640	ARM TOP COVER LID HINGE	4	TQ	X	X			X
16	531631-451	ARM TOP COVER LID SCREW	4	TF	X	X			X
17	141920-451	BOBBIN WINDER STOP SCREW	4	TF	X	X	X	X	X
18	44648	BOBBIN WINDER STOP	4	TQ	X	X			X
19	53640-819	BOBBIN WINDER STOP SCREW NUT	4	TQ	X	X	X	X	X
20	445485	ARM TOP COVER LID HINGE SPRING	4	TQ	X	X			X
21	141936-833	SET SCREW	2	TO	X	X	X	X	X
22	44794	THREAD GUIDE RETAINING	4	TQ	X	X	X	X	X
23	445576-922	MEDALLION FRAME (DARK WINE)	4	PB	X				
	445576-903	MEDALLION FRAME (GLOSS BLACK)	4	PB		X			
	445576-478	MEDALLION (DARK WINE) 3145	4	PB					X
24	QRO-1007	ARM TOP COVER MOUNTING SCREW	4	TF	X	X			X
25	507664-461	ARM TOP COVER SP. PIN THREAD LEAD	4	PB	X	X			X
26	QRO-1005	ARM TOP COVER MOUNTING SCREW	4	TF	X	X			X
27	354547-451	BOBBIN WINDER HINGE SCREW	4	TO	X	X	X	X	X
28	352026	WASHER SPRING	4	TQ	X	X	X	X	X
29	44649	BOBBIN WINDER COMPLETE	2	SU	X	X			X
30	445216	BOBBIN WINDER SPINDLE SUB-ASSY'	2	SU	X	X			X
31	20477-997	SPINDLE SPRING	4	RE	X	X	X	X	X
32	445215	BOBBIN WINDER SPINDLE	4	TO	X	X			X
33	44678-900	COLLAR BOBBIN WINDER SPINDLE	2	TO	X	X			X
34	44644	BOBBIN WINDER FRAME SUB-ASSY'	4	SU	X	X			X
35	44645	BOBBIN WINDER FRAME BUSHING	2	TC	X	X			X
36	44643	BOBBIN WINDER FRAME	4	TQ	X	X			X
37	15287-701	BOBBIN WINDER FRICTION RING	4	PT	X	X	X	X	X
38	44440	BOBBIN WINDER PULLEY	4	PB	X	X	X	X	X
39	QRO-1353	DISC FOLLOWER SPRING	4	RE	X	X			X
40	354765-451	CONTROL PANEL SCREW	4	TF	X	X			X
41	447492	CONTROL PANEL WASHER	4	TQ	X	X			X
42	447480-454	CONTROL PANEL (DARK WINE)	4	PB	X				X
	447480-455	CONTROL PANEL (GLOSS BLACK)	4	PB		X			
	447480-456	CONTROL PANEL (DARK WINE)	4	PB					X

43	QRO-1246-002	FACE PLATE WITH REFLECTOR	4	SU	X	X	X	X	X	X	X
44	445579-905	FACE PLATE (LIGHT BUFF)	4	PB	X	X	X	X	X	X	X
45	446067-900	LIGHT REFLECTOR	4	PT	X	X	X	X	X	X	X
46	141844-451	MOUNTING SCREW	4	TF	X	X	X	X	X	X	X
47	141844-819	MOUNTING SCREW	4	TF	X	X	X	X	X	X	X
48	446002-819	FACE PLATE BRACKET	4	TQ	X	X	X	X	X	X	X



LISING3

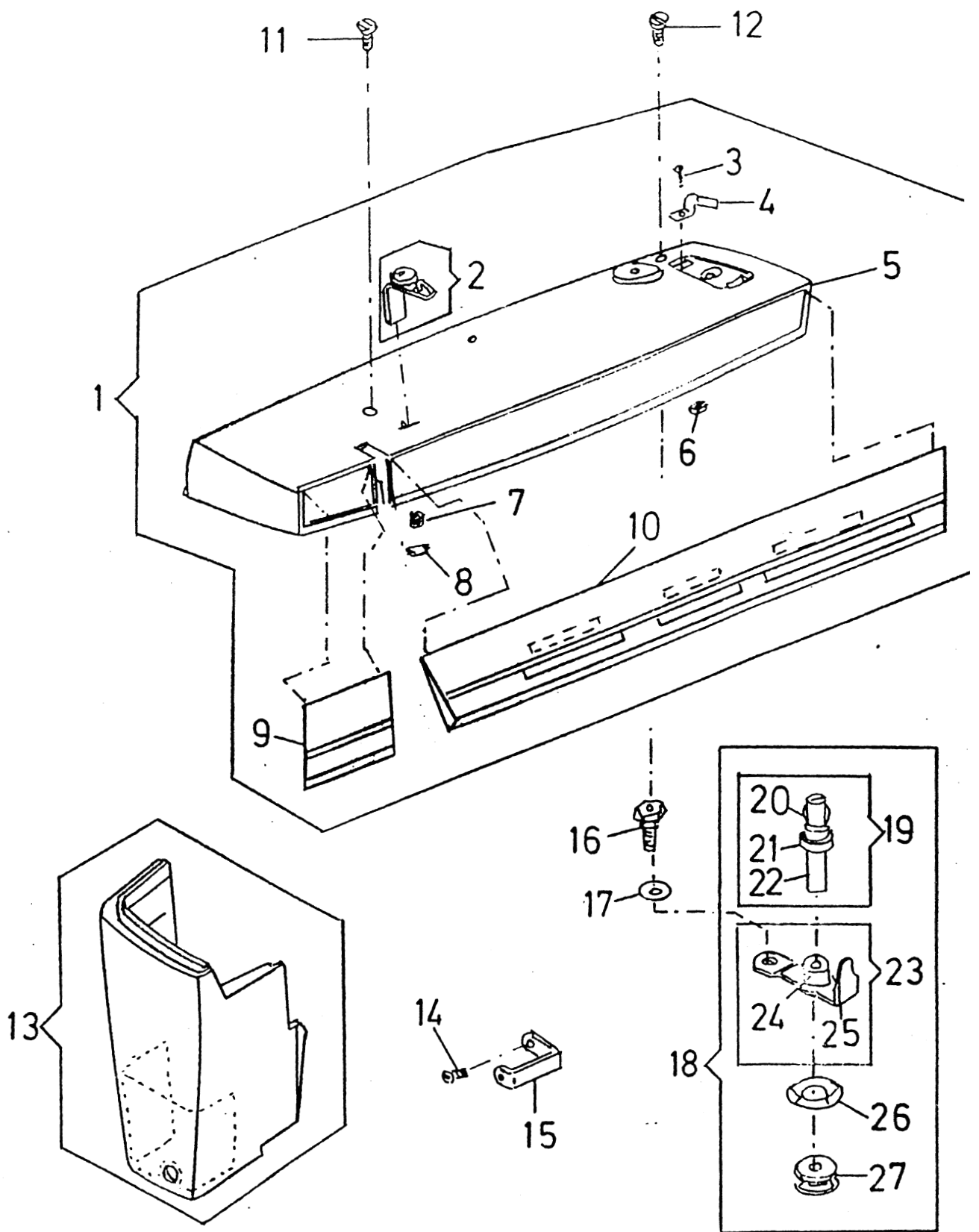
ARM SHAFT DRIVE

T	C	MODELS					3	3
Y	L	9	9	9	9	9	1	1
P	A	7	7	6	6	6	4	0
E	S	4	2	8	6	4	0	2
	S	B	B	B	B	B	B	K

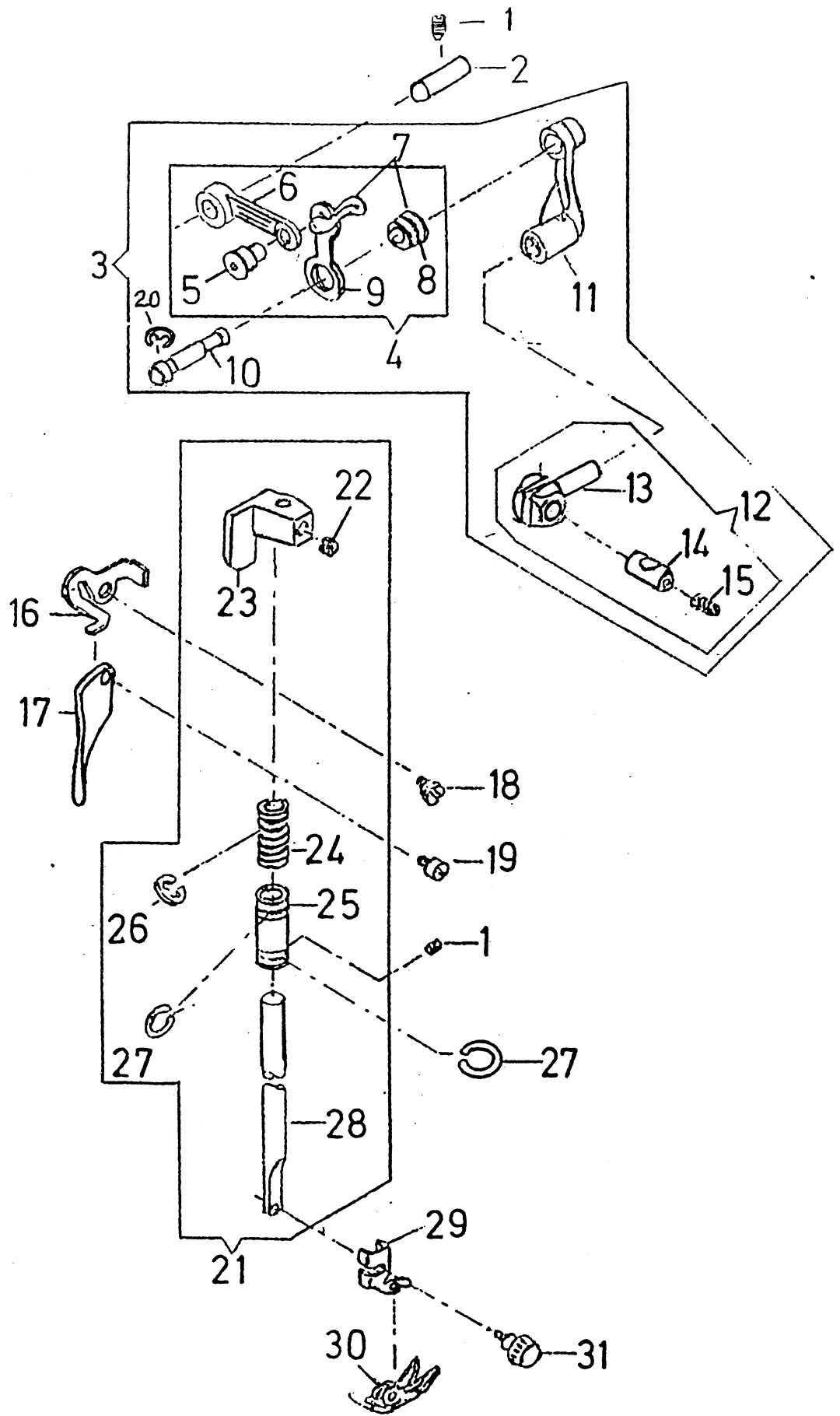
REF. PART NBR

DESCRIPTION

1	319764	NEEDLE BAR CRANK WASHER	4	PB	X	X	X	X	X	X	X	X
2	44679-000	CLAMP STOP MOTION FLANGED BUSHING	4	XB	X	X	X	X	X	X	X	X
3	141916-833	C.S.M. FLANGED BUSHING SET SCREW	4	TO	X	X	X	X	X	X	X	X
4	141915-833	C.S.M. FLANGED B. SET SCREW POSI.	4	TO	XX	X	X	XX	X			
5	44422	CLAMP STOP MOTION BUSHING	4	XB	X	X	X	X	X	X	X	X
6	531898-454	HAND WHEEL (PLASTIC S.W.)	4	PB	X	X	X	X	X	X	X	X
7	QRO-1331	HAND WHEEL CLAMPING WASHER PLASTIC	4	PB	X	X	X	X	X	X	X	X
8	44468-460	CLAMP STOP MOTION CLAMP	4	PB	X	X	X	X	X	X	X	X
9	44502	CLAMP STOP MOTION INSERT	4	TO	XX	X	X	XX	X			
10	44469-900	CLAMP STOP MOTION INSERT	2	TO	X	X	X	X	X	X	X	X
11	141914-892	STOP SCEW	2	TO	X	X	X	X	X	X	X	X
12	319695	ARM SHAFT BEVEL GEAR COMPLETE	4	SU	X	X	X	X	X	X	X	X
13	44455	BEVEL GEAR	4	TO	XX	X	X	XX	X			
14	354813-451	POSITIONING SET SCREW	4	TF	X	X	X	X	X	X	X	X
15	531817	ARM SHAFT HORIZONTAL COMPLETE	0	SU	X	X	X	X	X	X	X	X
16	445776	ARM SHAFT HORIZONTAL	2	TO	X	X	X	X	X	X	X	X
17	353576-001	ARM SHAFT HORIZONTAL WHIPPLETREE	4	HG	XX	X	X	XX	X			
18	445175	POSITIONING PIN	4	PT	X	X	X	X	X	X	X	X
19	141925-833	SET SCREW	2	TO	X	X	X	X	X	X	X	X
20	37231	ARM SHAFT (UPRIGHT) ASS'Y	4	SU	X	X	X	X	X	X	X	X
21	44714	ARM SHAFT BELT DRIVE PULLEY ASS'Y	4	AL	XX	X	X	XX	X			
22	44712-901	ARM SHAFT BELT DRIVE PULLEY	4	AL	X	X	X	X	X	X	X	X
23	141925-833	ARM SHAFT BELT DRIVE SCREW	4	TF	X	X	X	X	X	X	X	X
24	446736	ROTATING HOOK DRIVE BELT ADJUSTER	4	TQ	X	X	X	X	X	X	X	X
25	37977	ROTATING HOOK DRIVE BELT	4	PT	XX	X	X	XX	X			
26	139909-819	ROTATING HOOK DRIVE BELT SCREW	4	TF	X	X	X	X	X	X	X	X



CUBIERTA SUPERIOR Y PLACA FRONTAL



MECANISMO PRENSA-TELAS Y TIRA-HILO

LISING5

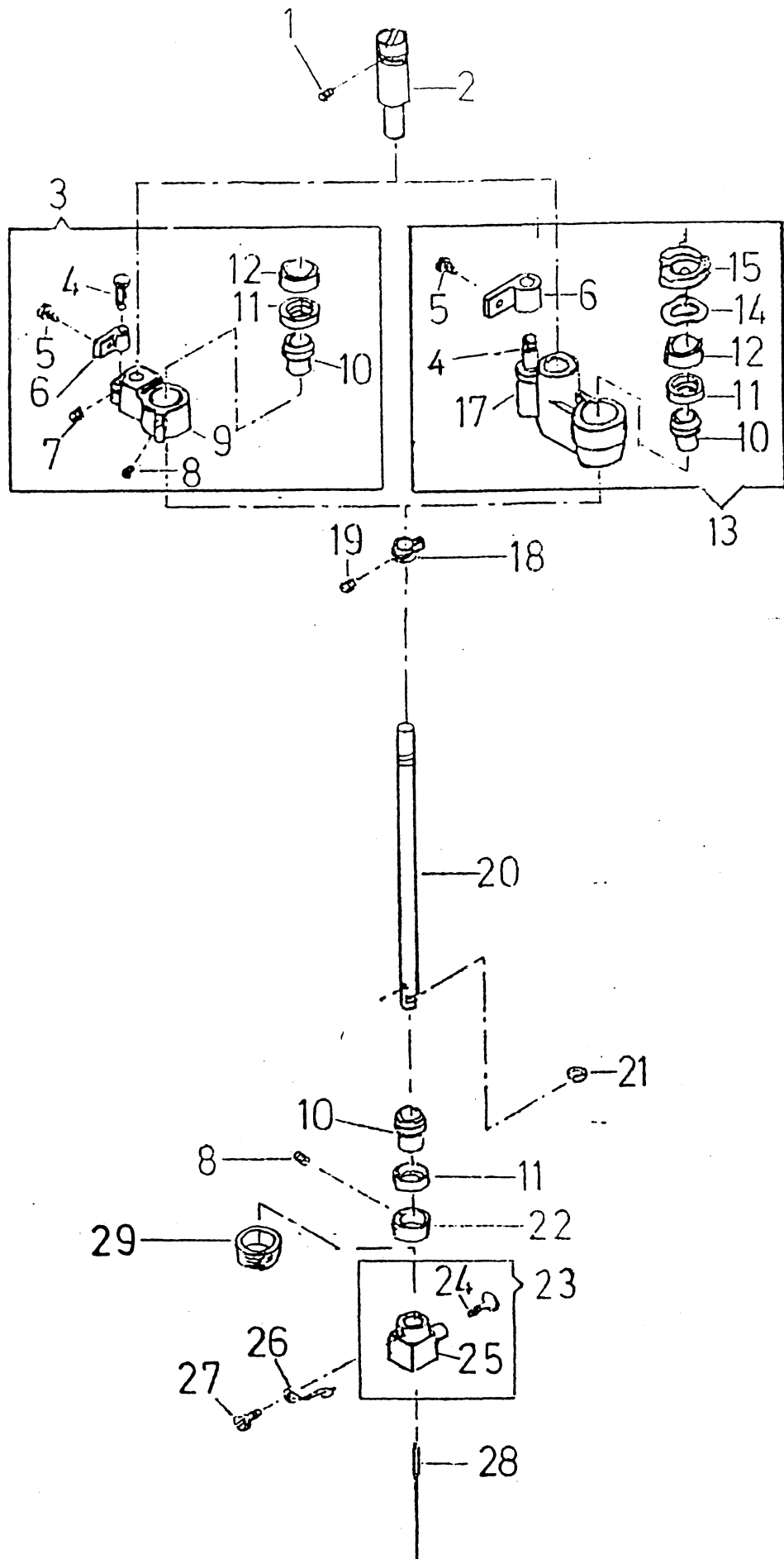
PRESSER BAR & THREAD TAKE-UP

T C	MODELS					3	3
Y L	9	9	9	9	9	1	1
P A	7	7	6	6	6	4	0
E S	4	2	8	6	4	0	2
S	B	B	B	B	B	B	K

REF. PART NBR

DESCRIPTION

1	QRO-1419	TH.TAKE LEVER LINK H.S. SET SCREW	4	TO	X	X	X	X	X	X	X
2	446169	TH.TAKE LEVER LINK HINGE STUD	4	TO	X	X	X	X	X	X	X
3	QRO-1621	THREAD TAKE-UP LEVER ASS'Y COMPL.	2	SU	X	X	X	X	X	X	X
4	QRO-1622	THREAD TAKE-UP LEVER ASS'Y	2	SU	X	X	X	X	X	X	X
5	QRO-1423	THREAD TAKE-UP LEVER ASS'Y RIVET	2	TO	X	X	X	X	X	X	X
6	353606-900	TH.TAKE LEVER LINK HINGE	4	PB	X	X	X	X	X	X	X
7	QRO-1623	TH.TAKE LEVER LINK HINGE ASS'Y	2	SU	X	X	X	X	X	X	X
8	QRO-1539	TH.TAKE LEVER LINK HINGE BUSHING	4	TO	X	X	X	X	X	X	X
9	QRO-1612	THREAD TAKE-UP LEVER	4	TQ	X	X	X	X	X	X	X
10	446260	THREAD TAKE-UP LEVER PIN	4	TO	X	X	X	X	X	X	X
11	446357-001	NEEDLE BAR CONNECTING LINK	4	ST	X	X	X	X	X	X	X
12	QRO-1118-001	NEEDLE BAR CONECTING STUD H. ASS'Y	2	SU	X	X	X	X	X	X	X
13	445865	NEEDLE BAR CONECTING STUD	4	XM	X	X	X	X	X	X	X
14	37931-001	NEEDLE BAR CONECTING STUD H. PIN	4	XM	X	X	X	X	X	X	X
15	354387-451	NEEDLE BAR CLAMPING SCREW	2	TO	X	X	X	X	X	X	X
16	445925-451	TENSION RELEAISING LEVER	4	TQ	X	X	X	X	X	X	X
17	356007-455	PRESSER BAR LIFTER	4	PB	X	X	X	X	X	X	X
18	354543-451	TENSION RELEAISING LEVER H. SCREW	2	TO	X	X	X	X	X	X	X
19	354860-451	PRESSER BAR LIFTER HINGE SCREW	2	TO	X	X	X	X	X	X	X
20	QRO-1301	THREAD TAKE-UP LEVER PIN RETAINING	4	TQ	X	X	X	X	X	X	X
21	QRO-996	PRESSER BAR ASS'Y COMPLETE	2	SU	X	X	X	X	X	X	X
22	141925-833	PRESSER BAR GUI. BRACKET SET SCREW	2	TO	X	X	X	X	X	X	X
23	353213	PRESSER BAR GUIDE BRACKET	4	AL	X	X	X	X	X	X	X
24	353214	PRESSER BAR SPRING	4	RE	X	X	X	X	X	X	X
25	QRO-1186	PRESSER BAR BUSHING	4	TO	X	X	X	X	X	X	X
26	353215	PRESSER BAR SPRING RETAINING RING	4	TQ	X	X	X	X	X	X	X
27	445948	PRESSER BAR SPRING RETAINING RING	4	TQ	X	X	X	X	X	X	X
28	314638	PRESSER BAR	2	TO	X	X	X	X	X	X	X
29	155964	PRESSER BAR FOOT PLATE	4	XM	X	X	X	X	X	X	X
30	446371	PRESSER BAR FOOT SHANK	4	XB	X	X	X	X	X	X	X
31	354135-451	PRESSER BAR THUMB SCREW	2	TO	X	X	X	X	X	X	X



LISING6

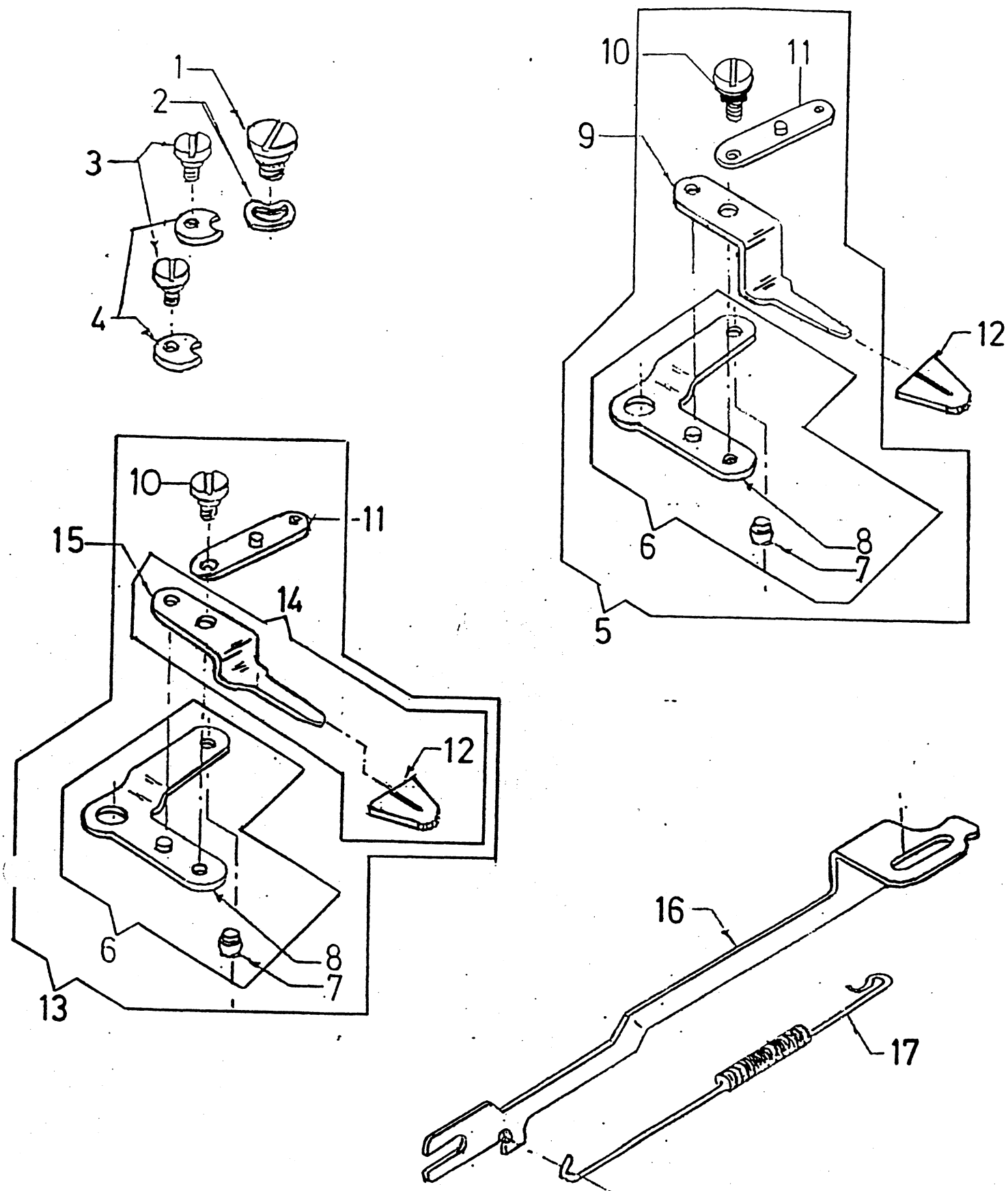
NEEDLE BAR

T C	MODELS						3	3
Y L	9	9	9	9	9	1	1	
P A	7	7	6	6	6	4	0	
E S	4	2	8	6	4	0	2	
S	B	B	B	B	B	B	K	

REF. PART NBR

DESCRIPTION

1	QRO-1419	NEEDLE BAR VIBRAT.B.H.P. SET SCREW	2	TO	X	X	X	X	X	X	X	X
2	445124	NEEDLE BAR VIBRATING B.H.PIN	2	TO	X	X	X	X	X	X	X	X
3	37945	NEEDLE BAR VIBRATING BRACKET COMP.	0	SU	X	X	X	X	X	X	X	X
4	37935	NEEDLE BAR D. ARM HINGE BKT. H.PIN	2	TO	X	X	X	X	X	X	X	X
5	141844-819	NEEDLE BAR D. ARM HINGE BKT. SCREW	4	TF	X	X	X	X	X	X	X	X
6	37934	NEEDLE BAR D. ARM HINGE BRACKET	4	ST	X	X	X	X	X	X	X	X
7	141913	NEEDLE BAR D. ARM HINGE BKT. SCREW	4	TF	X	X	X	X	X	X	X	X
8	141803-830	NEEDLE BAR DRIVING SET SCREW	4	TO	X	X	X	X	X	X	X	X
9	37944	NEEDLE BAR VIBRATING BRACKET	4	XB	X	X	X	X	X	X	X	X
10	446355-001	NEEDLE BAR BALL BUSHING	2	TO	X	X	X	X	X	X	X	X
11	507379	NEEDLE BAR BALL BUSHING SOCKET	4	PB	X	X	X	X	X	X	X	X
12	37928	ADJUSTING BUSHING	2	TO	X	X	X	X	X	X	X	X
13	353520	NEEDLE BAR VIBRATING BRACKET COMP.	0	SU	X	X	X	X	X	X	X	X
14	353424-000	NEEDLE BAR BALL BUSHING FR. WASHER	4	TQ	X	X	X	X	X	X	X	X
15	353522	NEEDLE BAR BALL BUSHING RETAI.RING	4	PB	X	X	X	X	X	X	X	X
17	353521	NEEDLE BAR VIBRATING BRACKET	4	PB	X	X	X	X	X	X	X	X
18	37947-901	NEEDLE BAR VIBRATING BKT.H. COLLAR	4	ST	X	X	X	X	X	X	X	X
19	141913	NEEDLE BAR VIBRATING BKT.H. SCREW	4	TF	X	X	X	X	X	X	X	X
20	445793	NEEDLE BAR	2	TO	X	X	X	X	X	X	X	X
21	37943-000	NEEDLE BAR GIB	4	XB	X	X	X	X	X	X	X	X
22	446361	NEEDLE BAR BAL BUSHING ADJ. SCREW	2	TO	X	X	X	X	X	X	X	X
23	353631	NEEDLE CLAMP COMPLETE	2	SU	X	X	X	X	X	X	X	X
24	QRO-874	NEEDLE THUMB SCREW	2	TO	X	X	X	X	X	X	X	X
25	353630	NEEDLE CLAMP BODY	2	TO	X	X	X	X	X	X	X	X
26	353629	NEEDLE CLAMP THREAD GUIDE	4	RE	X	X	X	X	X	X	X	X
27	141920-451	NEEDLE CLAMP TH GUIDE STOP SCREW	4	TF	X	X	X	X	X	X	X	X
28	2045SX14	NEEDLE (SIZE NBR 14)	4	XB	X	X	X	X	X	X	X	X
29	44473	NEEDLE BAR ADJUSTING SCREW	2	TO	X	X	X	X	X	X	X	X



MECANISMO AMPLITUD DE COSTURA ZIG-ZAG

LISING7

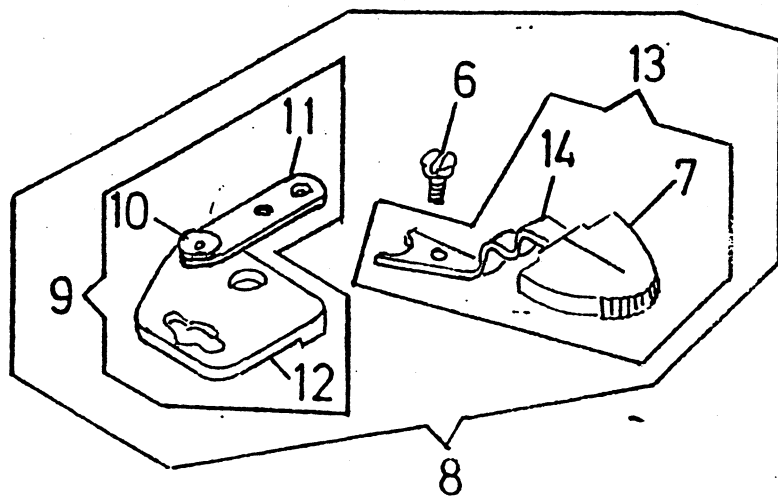
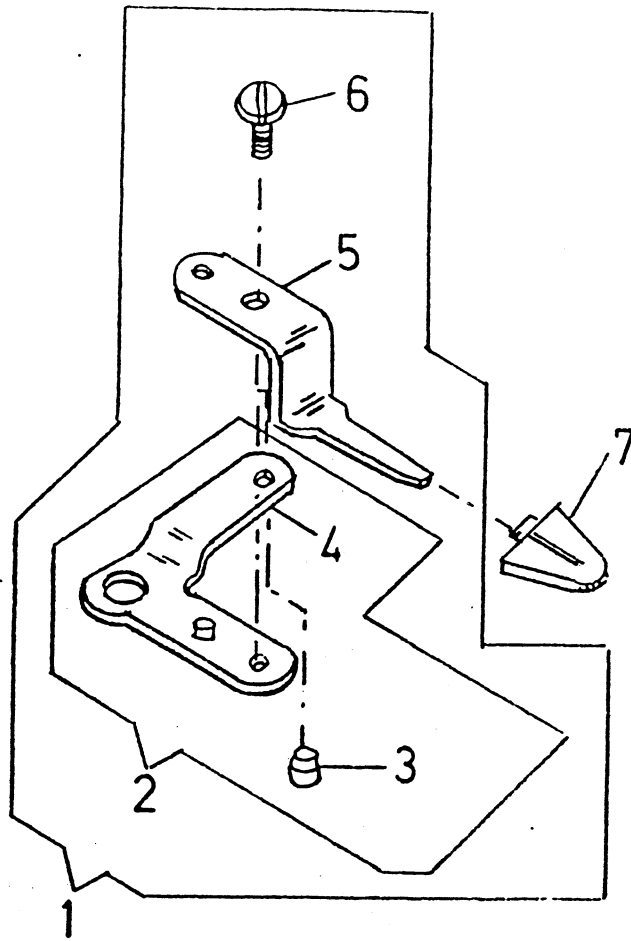
BIGHT AMPLITUDE

T	C	MODELS					3	3
Y	L	9	9	9	9	9	1	1
P	A	7	7	6	6	6	4	0
E	S	4	2	8	6	4	0	2
	S	B	B	B	B	B	B	K

REF. PART NBR

DESCRIPTION

REF. PART NBR	DESCRIPTION	T	C	MODELS	3	3
1 354543-451	BIGHT AMPLITUDE CONTROL LE. SCREW	2	TO	X X X X X X X X		
2 444938	BIGHT AMPLITUDE CONTROL LE. WASHER	4	XE	X X X X X X X X		
3 354592-451	BIGHT AMPLITUDE CO. LE. STOP SCREW	4	TF	X X X X X X X X		
4 446904	BIGHT AMPLITUDE CO. LEVER STOP	4	TQ	X X X X X X X X		
5 531987-001	BIGHT AMPLITUDE CO. LEVER ASS'Y.	2	SU	X		
6 37246	BIGHT AMPLITUDE C.LEVER LINK ASS'Y	2	SU	X X X X X X X X		
7 37247-900	BIGHT AMPLITUDE CONTROL L.LINK PIN	2	TO	X X X X X X X X		
8 37245-900	BIGHT AMPLITUDE CONTROL LEVER LINK	4	TQ	X X X X X X X X		
9 531974	BIGHT AMPLITUDE CONT.LEVER	4	TQ	X X X X X X X X		
10 139866-451	BIGHT AMPLITUDE CONT. LEVER SCREW	2	TO	X X X	X	
11 44556	BUTTONHOLER BIGHT CONT.LEVER LINK	4	TQ	X X X	X	
12 445585-914	BUTTONHOLER BIGHT CONT.LEVER KNOB	4	PB	X X X X X X X X		
13 445587-460	BIGHT AMPL CONT.LEVER ASS'Y W/KNOB	2	SU	X X	X	
14 445586-460	BIGHT AMPLITUDE CONTROL L. W/KNOB	2	SU	X X	X	
15 445584-451	BIGHT AMPLITUDE CONTROL LEVER	4	TQ	X X	X	
16 37933	NEEDLE DRIVING ARM	4	TQ	X X X X X X X X		
17 37942	NEEDLE DRIVING ARM TENSION SPRING	4	RE	X X X X X X X X		



MECANISMO AMPLITUD ZIG ZAG Y POSICION AGUJA

LISING8

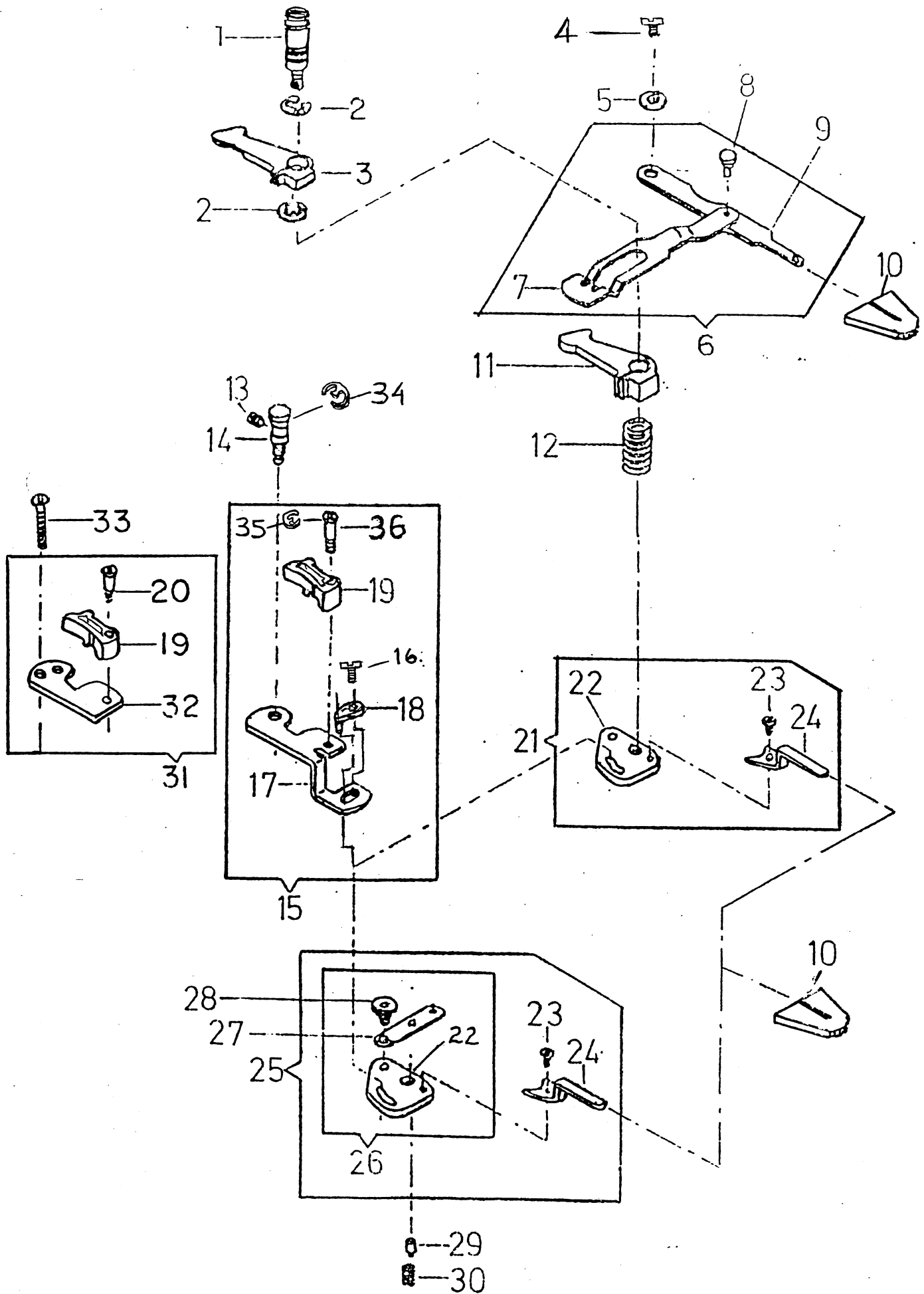
NEEDLE POSITION & DISC SELECTOR

T	C	MODELS						
Y	L	9	9	9	9	9	1	1
P	A	7	7	6	6	6	4	0
E	S	4	2	8	6	4	0	2
S	B	B	B	B	B	B	B	K

REF. PART NBR

DESCRIPTION

REF. PART NBR	DESCRIPTION	T	C	MODELS	MODELS	MODELS	MODELS	MODELS	MODELS
1 531973-001	BIGHT AMPLITUDE CONT. LEVER ASS'Y	2	SU			X	X		X
2 37246	BIGHT AMPLITUDE CONT.L. LINK ASS'Y	2	SU	X	X	X	X	X	X
3 37247-900	BIGHT AMPLITUDE CONT. L. LINK PIN	2	TO	X	X	X	X	X	X
4 37245	BIGHT AMPLITUDE CONT. LEVER LINK	4	TQ	X	X	X	X	X	X
5 531974	BIGHT AMPLITUDE CONTROL LEVER	4	TQ			X	X	X	X
6 141913	BIGHT AMPLITUDE CONT. LEVER SCREW	4	TF			X	X		X
7 445585-914	BIGHT AMPLITUDE CONT. LEVER KNOB	4	PB	X	X	X	X	X	X
8 445624-456	NEEDLE POSITION SEL.LEV. BKT.ASS'Y	2	SU	X	X				X
9 44628	NEEDLE POSITION SEL. LEV.BKT ASS'Y	2	SU	X	X	X			X
10 44560-900	NEEDLE POSITION RIVET	4	TO	X	X	X			X
11 44556	NEEDLE POSITION LEVER LINK	4	TQ	X	X	X			X
12 353547-000	NEEDLE POSITION LEVER BRACKET	4	XB	X	X	X	X		X
13 445589-456	NEEDLE POSITION SELC.LEVER W/KNOB	2	SU	X	X				X
14 445588-451	NEEDLE POSITION SELECTOR LEVER	4	TQ	X	X				X



LISING9

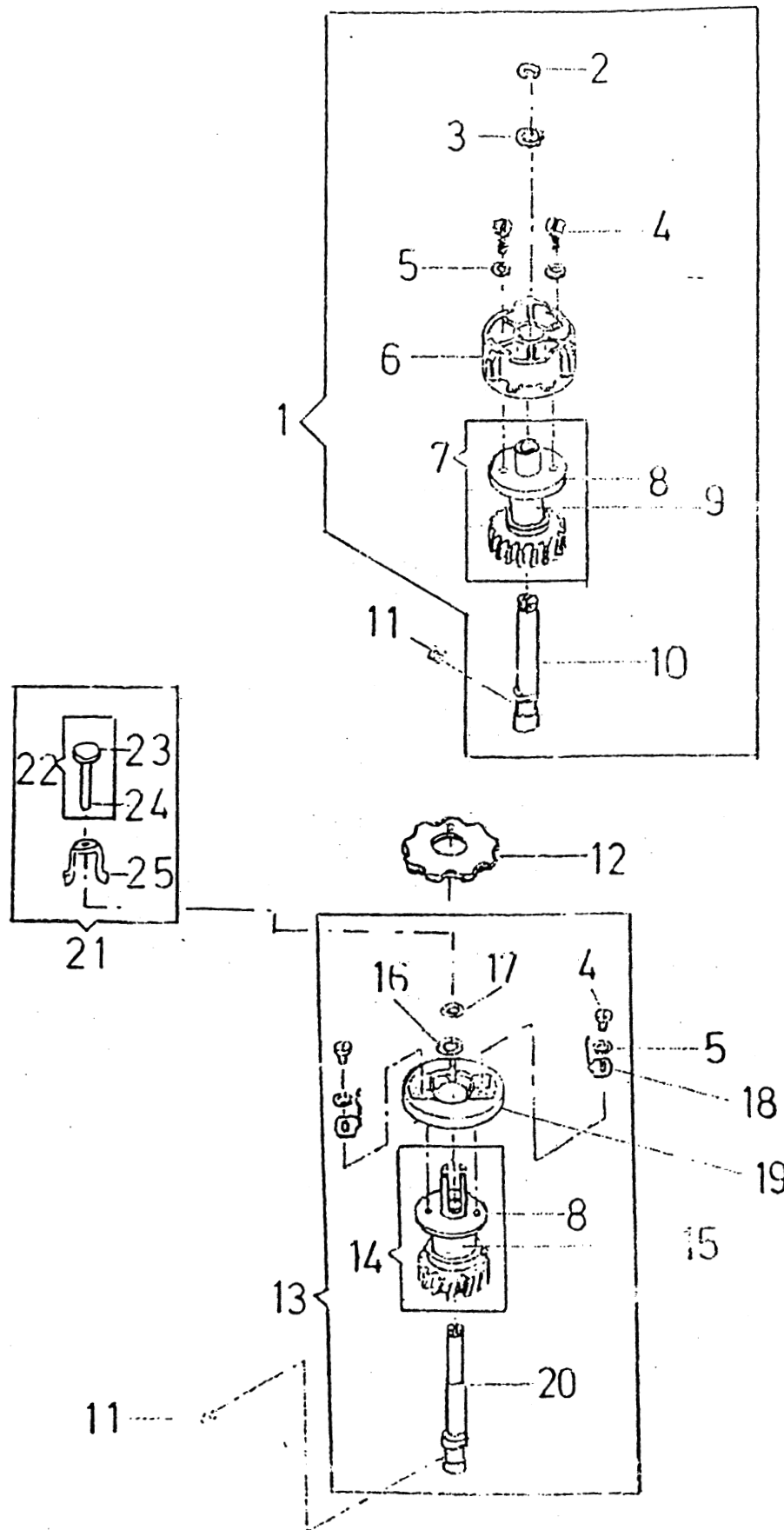
NEEDLE POSITION & DISC SELECTOR

T	C	MODELS					3	3
Y	L	9	9	9	9	9	1	1
P	A	7	7	6	6	6	4	0
E	S	4	2	8	6	4	0	2
S	B	B	B	B	B	B	B	K

REF. PART NBR

DESCRIPTION

1	QRO-1011	DISC FOLLOWER STUD	4	TO	X	X	X	X	X	X	X
2	44371	DISC FOLLOWER RETAINING RING	4	TQ	X	X	X	X	X	X	X
3	353574	DISC FOLLOWER	4	XB		X	X	X			X
4	354543-451	DISC SELECTOR HINGE SCREW	2	TF		X					
5	444938	DISC SELECTOR C.LEVER FRIC. WASHER	4	XE		X					
6	531985	DISC SELECTOR LEVER ASSEMBLY	2	SU		X					
7	44724-900	NEEDLE BAR DRIVING ARM SLIDE	4	TQ		X					
8	22238-997	DISC SELECTOR LEVER RIVET	2	TO		X					
9	531986-900	DISC SELECTOR LEVER	4	TQ		X					
10	445585-914	DISC SELECTOR LEVER KNOB	4	PB	X	X	X	X	X	X	X
11	445646	DISC FOLLOWER	4	XB	X	X	X				X
12	44886	DISC FOLLOWER SPRING	4	RE		X					
13	QRO-1419	NEEDLE BAR D. ARM SL. BKT SETSCREW	4	TO	X	X	X	X	X	X	X
14	37941-001	NEEDLE BAR D. ARM SL. BKT H. STUD	2	TO	X	X	X	X			X
15	QRO-182-001	NEEDLE BAR DRIVING ARM BKT ASS'Y	2	SU	X	X	X	X			X
16	141844-451	NEEDLE POS. LEVER SCREW	2	TF	X	X	X	X			X
17	356645-900	NEEDLE BAR DR. ARM SLIDE BRACKET	4	TQ	X	X	X	X			X
18	QRO-1332	NEEDLE POS. LEVER FOLL.	4	PB	X	X	X	X			X
19	QRO-1560	NEEDLE BAR DRIVING ARM SLIDE	4	PB	X	X	X	X	X	X	X
20	354669-451	NEEDLE BAR DRI. ARM SLID.BKT SCREW	2	TO	X	X	X	X	X	X	X
21	531971-001	NEEDLE POS. SELC. LEVER BKT. COMPL.	2	SU			X				X
22	353547-000	NEEDLE POS. SELECTOR LEVER BRACKET	4	XB	X	X	X	X			X
23	141913	NEEDLE POS. S. LEVER BRACKET SCREW	4	TF	X	X	X	X			X
24	531972	NEEDLE POS. SEL. LEVER W/KNOB	4	TQ		X	X				X
25	531988-002	NEEDLE POS. SELECTOR LEVER	2	SU		X					
26	44628	NEEDLE POS. S. LEVER BRACKET ASS'Y	2	SU	X	X	X				X
27	44556	BUTTONHOLER NEEDLE POS. LEVER BKT.	4	TQ	X	X	X				X
28	44560-900	NEEDLE POS. S. LEVER BRACKET RIVET	2	TO	X	X	X				X
29	319690	NEEDLE POS. BKT POSITIONING PIN	4	TO	X	X	X	X			X
30	444800	NEEDLE POS. BKT POSITIONING PIN	4	RE	X	X	X	X			X
31	QRO-1055	NEEDLE BAR D. ARM SLIDE BKT ASS'Y	2	SU							X
32	SK-2258	NEEDLE BAR DRIV. ARM SLIDE BRACKET	4	TQ							X
33	354975-452	NEEDLE BAR DRIVING ARM S. SCREW	4	TF							X
34	QRO-1301	NEEDLE BAR D.A.SL.BKT H.STD RETAINIG	4	TQ	X	X	X	X			X
35	QRO-1361	NEEDLE BAR DRI. ARM SLID.BKT RETAINIG	4	TQ	X	X	X	X			X
36	356639-901	NEEDLE BAR DRI. ARM SLID.BKT SCREW	2	TO	X	X	X	X			X



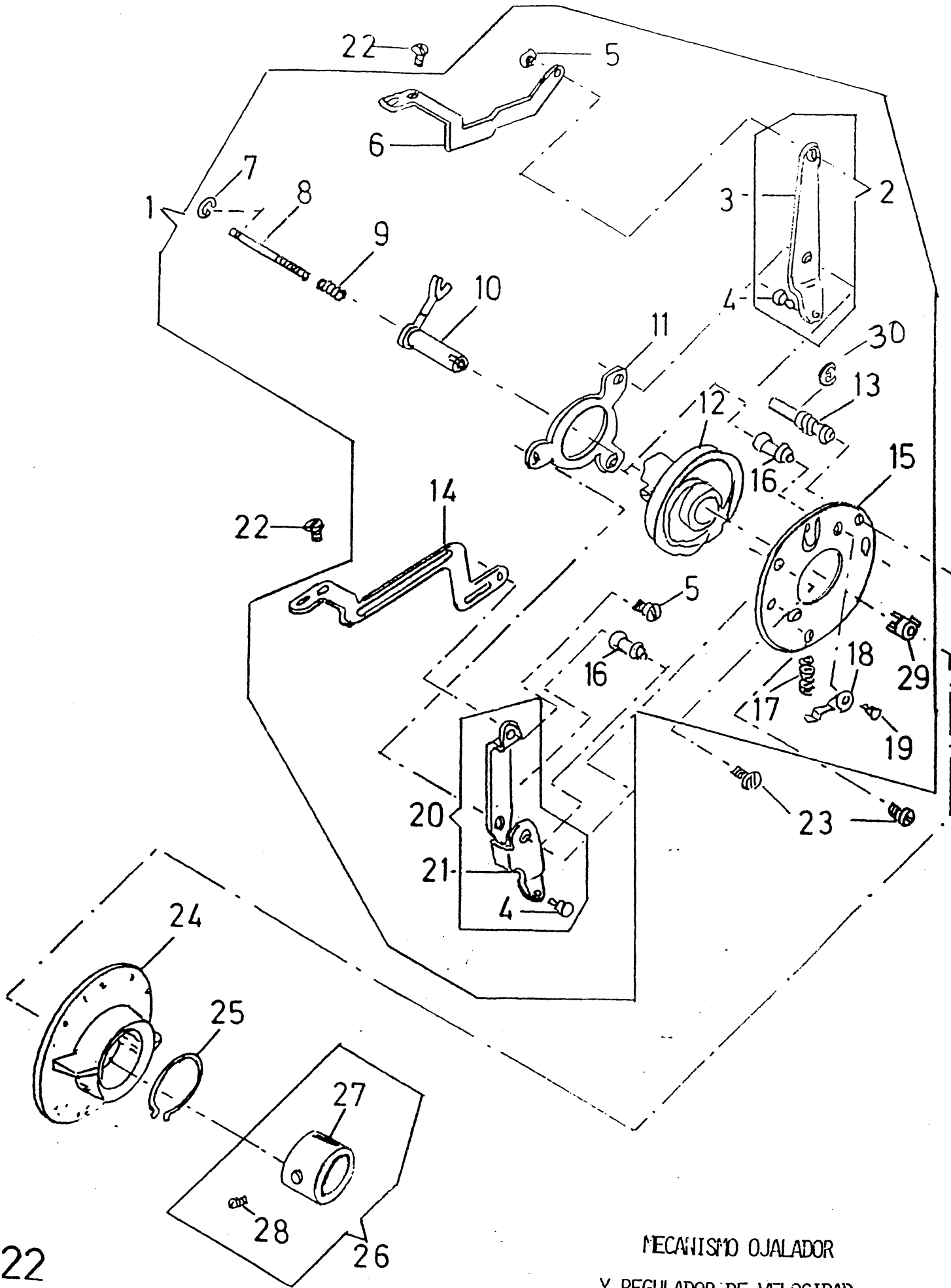
MECANISMO ACCIONADOR Y SEGUIDOR DEL DISCO

LISING10

CAM STACK

T	C	MODELS					3	3
I	L	9	9	9	9	9	1	1
P	A	7	7	6	6	6	4	0
E	S	4	2	8	6	4	0	2
S		B	B	B	B	B	B	K

REF.	PART NBR.	DESCRIPTION							
1	QRO-1250	DISC DRIVING GEAR SHAFT COMPLETE	2	SU		X	X	X	X
2	444921	DISC DRIVING GEAR RETAINING RING	4	TQ		X	X	X	X
3	444923	DISC DRIVING GEAR SHAFT WASHER	4	TQ		X	X	X	X
4	141920-451	DISC STACK POSITIONING SCREW	4	TF	X	X	X	X	X
5	446138	DISC STACK SCREW WASHER	4	TQ	X	X	X	X	X
6	QRO-1275	DISC STACK	4	PB		X	X	X	X
7	444918	DISC DRIVING GEAR ASS'Y.	2	SU		X	X	X	X
8	444914-900	DISC DRIVING GEAR PLATE	4	TQ	X	X	X	X	X
9	444917-900	DISC DRIVING GEAR	2	TO		X	X	X	X
	444920	DISC DRIVING GEAR INSERT	2	TO		X	X	X	X
10	444922	DISC DRIVING GEAR SHAFT	4	TO		X	X	X	X
11	QRO-1419	DISC DRIVING GEAR SHAFT SET SCREW	4	TO	X	X	X	X	X
12	276301	DISC # 1 ZIG-ZAG STITCH	4	PB	X	X			X
13	444915-900	DISC DRIVING GEAR COMPLETE	2	SU	X	X			X
14	444911	DISC DRIVING GEAR ASS'Y.	2	SU	X	X			X
15	444910-900	DISC DRIVING GEAR	4	PT	X	X			X
	444913-900	DISC DRIVING GEAR INSERT	2	TO	X	X			X
16	444903	DISC RELEASING BKTRETAINING WASHER	4	TQ	X	X			X
17	153475	DISC DRIVING GEAR RETAINING RING	4	TQ	X	X			X
18	444908	DISC RETAINING SPRING	4	TQ	X	X			X
19	445647	DISC POSITIONING ADJ. SPACER	4	PB	X	X			X
20	QRO-1153	DISC DRIVING GEAR SHAFT	4	TO	X	X			X
21	444906	DISC RELEASING BRACKET STUD COMPL	2	SU	X	X			X
22	444905-900	DISC RELEASING BKT STUD ASS'Y.	2	SU	X	X			X
23	444907-900	DISC RELEASING BKT. KNOB	2	TO	X	X			X
24	444904	DISC RELEASING BRACKET PIN	2	TO	X	X			X
25	444902-900	DISC RELEASING BRACKET	4	TO	X	X			X



MECANISMO OJALADOR
Y REGULADOR DE VELOCIDAD

LISING11

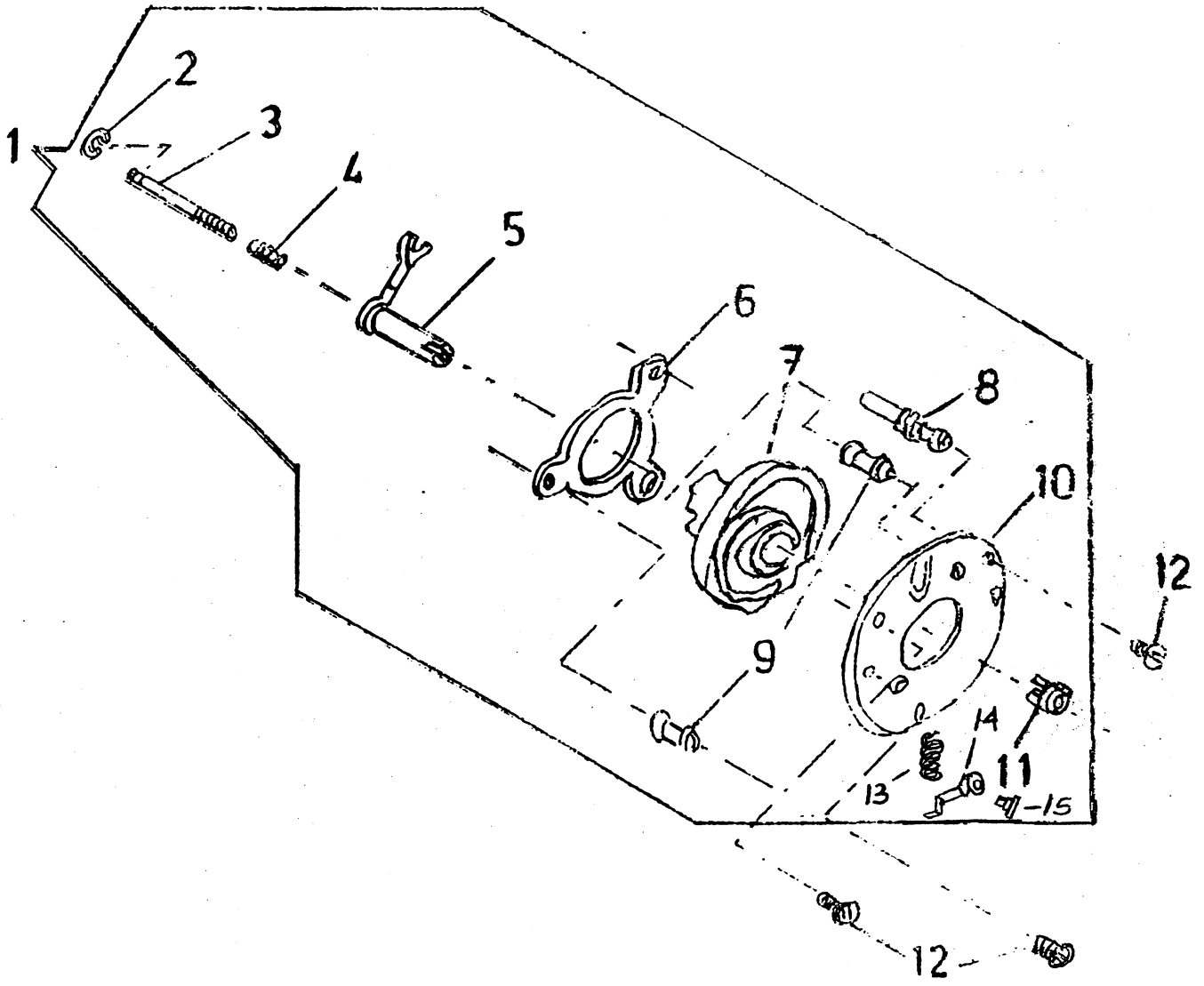
FEED REGULATOR WITH BUTTONHOLER

T	C	MODELS					3	3
I	L	9	9	9	9	9	1	1
P	A	7	7	6	6	6	4	0
E	S	4	2	8	6	4	0	2
S		B	B	B	B	B	B	K

REF. PART NBR.

DESCRIPTION

1	447663	BUTTONHOLER & FEED REG. CAM ASS'Y.	2	SU	X	X	X		X
2	445859	BUTTONHOLER NEEDLE P.CAM F. ASS'Y	2	SU	X	X	X		X
3	44558	BUTTONHOLER NEEDLE P.CAM FOLLOWER	4	TQ	X	X	X		X
4	445856	BUTTONHOLER NEEDLE P.CAM F.H. STUD	4	TQ	X	X	X		X
5	139866	B&H LEVER HINGE SCREW	2	TO	X	X	X		X
6	44561	B&H NEEDLE POS. CAM F. LEVER LINK	4	TQ	X	X	X		X
7	445721	FEED REG. POS. PIN RETAINING RING	4	TQ	X	X	X		X
8	353446	FEED REGULATOR POSITIONING PIN	4	TO	X	X	X		X
9	44612	FEED REGULATOR POSITIONING SPRING	4	RE	X	X	X		X
10	446259	FEED REGULATOR POSITIONING PIN BKT	4	PB	X	X	X		X
11	44543-900	BUTTONHOLER & FEED REG C.DIAL PAWL	4	TQ	X	X	X		X
12	44539-901	BUTTONHOLER & FEED REGULATOR CAM	4	PB	X	X	X		X
13	44606-900	BUTTONHOLER & F.REGULATOR SP. STUD	4	TO	X	X	X		X
14	44557	BUTTONHOLER BIGHT CAM F.LEVER LINK	4	TQ	X	X	X		X
15	44550-900	BUTTONHOLER & F.REGULATOR M. PLATE	4	TQ	X	X	X		X
16	44552-900	BUTTONHOLER & F.REGULATOR SP. STUD	2	TO	X	X	X		X
17	353495	BUTTONHOLER & F.REGULATOR P.SPRING	4	RE	X	X	X		X
18	44545	BUTTONHOLER & FEED REG C.DIAL PAWL	4	TQ	X	X	X		X
19	44546-900	BUTTONHOLER & F.REGULATOR P.RIVET	2	TO	X	X	X		X
20	445858-900	BUTTONHOLER BIGHT C.CAM LEVER COMP.'	0	SU	X	X	X		X
21	445857-900	BUTTONHOLER BIGHT C.CAM LEVER	4	TQ	X	X	X		X
22	141913	BUTTONHOLER BIGHT C.CAM LEVERSCREW	4	TF	X	X	X		X
23	139868-819	BUTTONHOLER MOUNTING COMPL.SCREW	4	TF	X	X	X	X	X
24	44544-464	BUTTONHOLER & FEED REG C.DIAL	4	PB	X	X	X		X
	44544-465	BUTTONHOLER & FEED REG C.DIAL	4	PB				X	X
25	445070	BUTTONHOLER & FEED REG C.DIAL RING	4	XE	X	X	X	X	X
26	QRO-1549	FEED REVERSE KNOB ASS'Y	4	PT	X	X	X	X	X
27	QRO-1243	FEED REVERSE KNOB ASS'Y MACHINED	4	PT	X	X	X	X	X
28	618634-004	FEED REVERSE KNOB SET SCREW	4	TF	X	X	X	X	X
29	445945-000	REVERSE FEED CAM FOLLOWER	4	XB	X	X	X	X	X
30	44472	BUTTONHOLER & F.REG.SP.STUD RETAINING	4	TQ	X	X	X		X



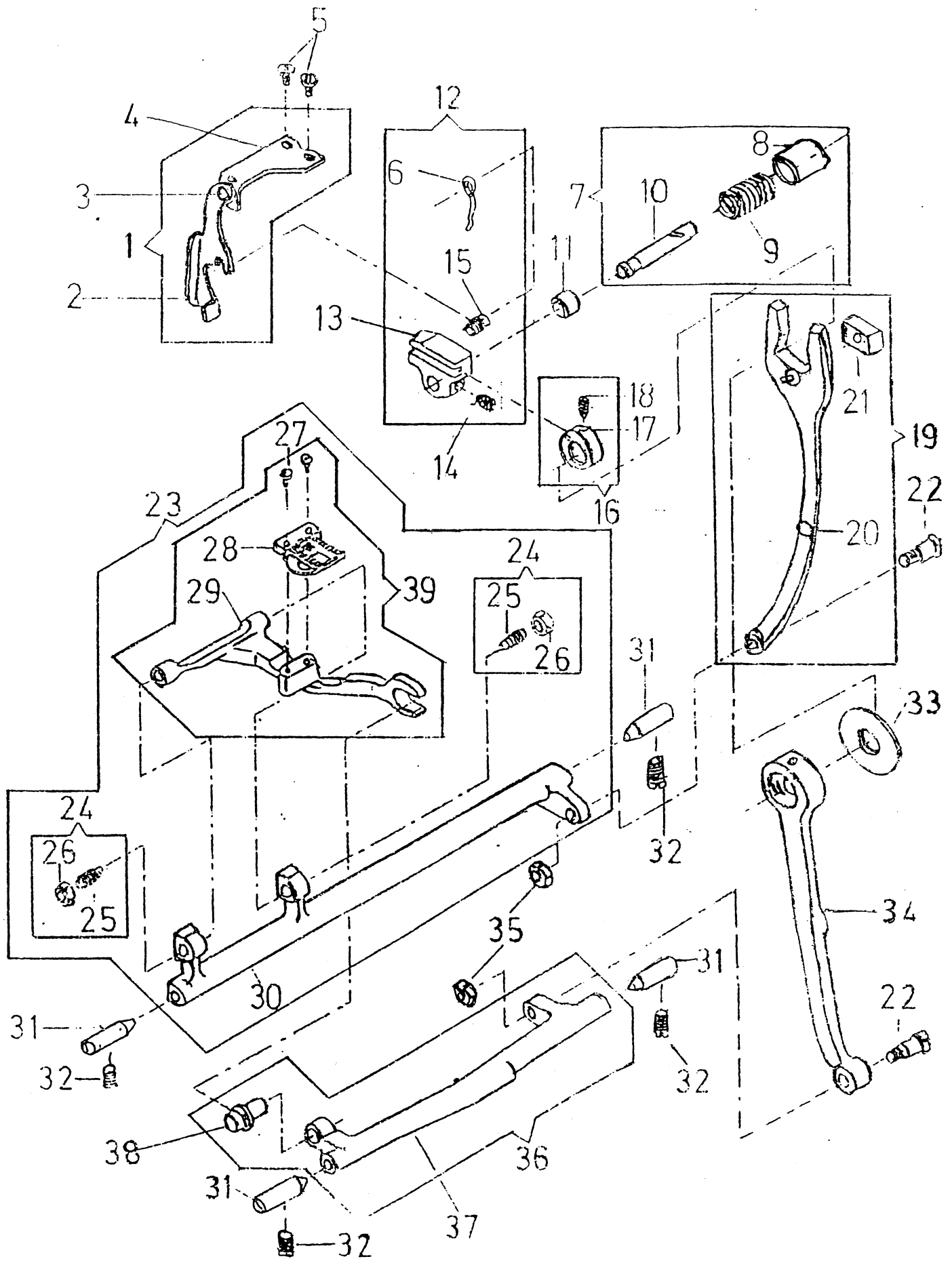
MECANISMO REGULADOR DE VELOCIDAD

LISING12

FEED REGULATOR

T	C	MODELS					3	3
I	L	9	9	9	9	9	1	1
P	A	7	7	6	6	6	4	0
E	S	4	2	8	6	4	0	2
S		B	B	B	B	B	B	K

REF.	PART NBR.	DESCRIPTION						
1	QRO-1244	FEED REGULATOR MECH. COMPLETE	4	SU		X	X	X
2	445721	FEED REG. POSI. PIN RETAINING RING	4	TQ		X	X	X
3	353446	FEED REGULATOR POSITIONING PIN	4	TO		X	X	X
4	44612	FEED REGULATOR POSITIONING SPRING	4	RE		X	X	X
5	446259	FEED REG. POSITIONING PIN BRACKET	4	PB		X	X	X
6	44543-900	FEED REG. POSITIONING MOUN. PLATE	4	TQ		X	X	X
7	44539-901	BUTTONHOLER & FEED REGULATOR CAM	4	PB		X	X	X
8	44606-900	BUTTONHOLER & FEED REG.SPACER STUD	4	TO		X	X	X
9	44552-900	BUTTONHOLER & FEED REG.SPACER STUD	4	TO		X	X	X
10	44543-900	FEED REGULATOR MOUNTING PLATE	4	TQ		X	X	X
11	445945-900	REVERSE FEED CAM FOLLOWER	4	XB		X	X	X
12	139868-819	FEED REGULATOR MOUNT.PLATE SCREW	4	TF		X	X	X
13	353495	BUTTONHOLER & F.REGULATOR P.SPRING	4	TF		X	X	X
14	44545	BUTTONHOLER & FEED REG.C.DIAL PAWL	4	TF		X	X	X
15	44546-900	BUTTONHOLER & F. REGULATOR P.RIVET	4	TF		X	X	X



LISING13

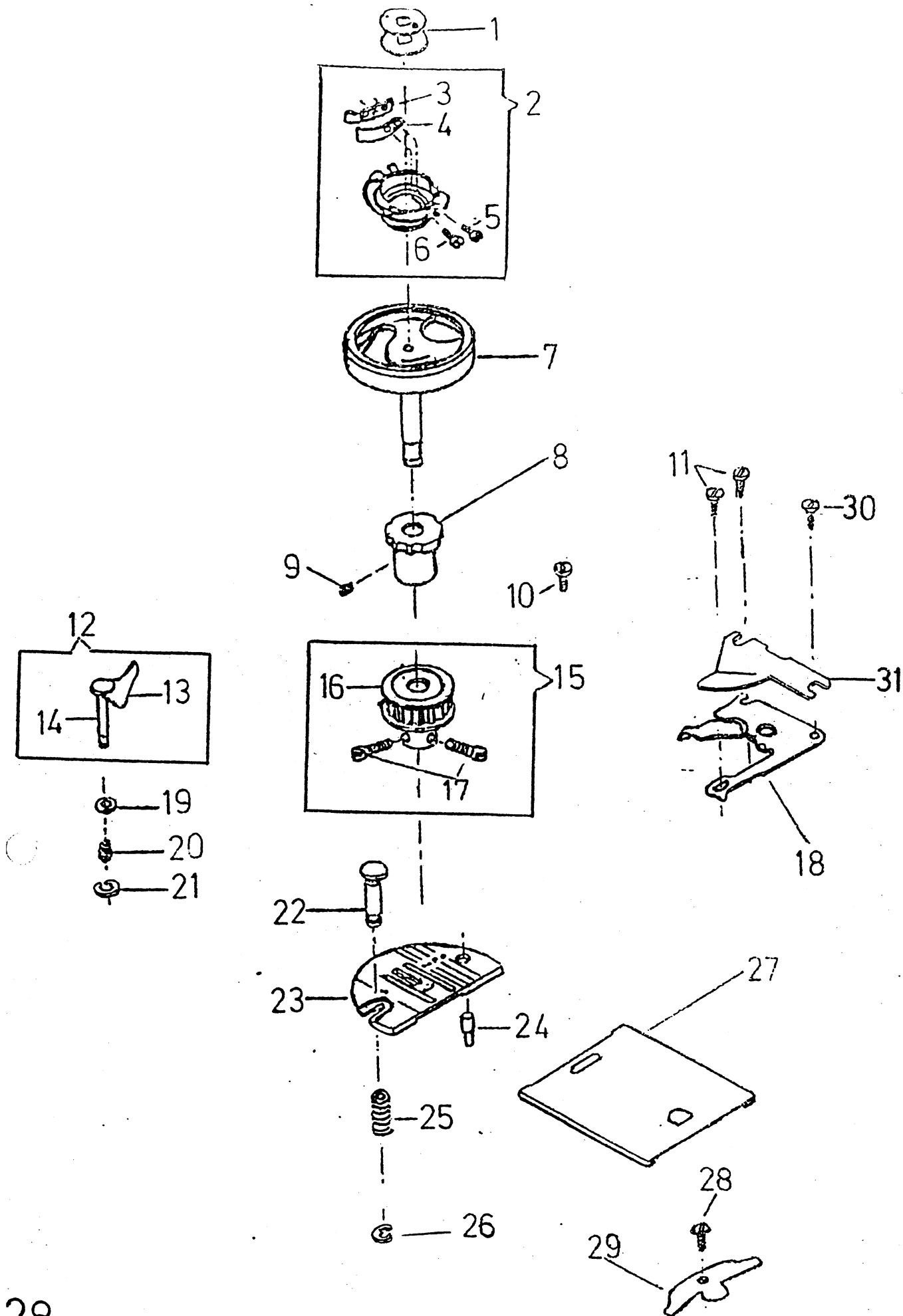
FEED SYSTEM

T	C	MODELS					3	3
I	L	9	9	9	9	9	1	1
P	A	7	7	6	6	6	4	0
E	S	4	2	8	6	4	0	2
S		B	B	B	B	B	B	K

REF. PART NBR.

DESCRIPTION

REF. PART NBR.	DESCRIPTION	T	C	MODELS	3	3
1 445148	FEED REGULATOR CONTROL ARM ASS'Y	2	SU	X X X X X X X X		
2 445147-900	FEED REGULATOR CONTROL ARM	4	TQ	X X X X X X X X		
3 444763-900	FEED REGULATOR CONTROL ARM RIVET	2	TO	X X X X X X X X		
4 445149-900	FEED REGULATOR CONTROL ARM BRACKET	4	TQ	X X X X X X X X		
5 354766-451	FEED REG. CON. ARM BRACKET SCREW	4	TF	X X X X X X X X		
6 445766	FEED REGULATOR SPRING	4	RE	X X X X X X X X		
7 445955	FEED REGULATOR HINGE STUD COMPL.	2	SU	X X X X X X X X		
8 445768	FEED REGULATOR RETURN SPRING BUSHING	4	TQ	X X X X X X X X		
9 445860	FEED REGULATOR RETURN SPRING	4	RE	X X X X X X X X		
10 445766	FEED REGULATOR HINGE STUD	2	TO	X X X X X X X X		
11 445767	FEED REGULATOR SPACER BUSHING	4	PB	X X X X X X X X		
12 179991	FEED REGULATOR ASS'Y	2	SU	X X X X X X X X		
13 179990	FEED REGULATOR	4	XB	X X X X X X X X		
14 141925-833	FEED REGULATOR SET SCREW	2	TO	X X X X X X X X		
15 444744	FEED REGULATOR PIN	2	TO	X X X X X X X X		
16 QRO-1568	FEED CAM COMPLETE	4	XB	X X X X X X X X		
17 QRO-1538	FEED CAM	4	XB	X X X X X X X X		
18 QRO-1419	FEED CAM SET SCREW	4	XB	X X X X X X X X		
19 37283	FEED FORKED CONEC. W/SLIDE BLOCK	2	SU	X X X X X X X X		
20 37282-901	FEED FORKED CONNECTION	4	HG	X X X X X X X X		
44427-900	FEED FORKED CONNECTION PIN	2	TO	X X X X X X X X		
21 44437	FEED FORKED CONNECTION SLIDE BLOCK	4	ST	X X X X X X X X		
22 141805-850	FEED L.ROCK SHAFT HINGE SCREW ECCE.	2	TO	X X X X X X X X		
23 531953	FEED SHAFT & BAR COMPLETE	2	SU	X X X X X X X X		
24 44505	SCREW CENTER WITH NUT	2	SU	X X X X X X X X		
25 QRO-1222-850	SCREW CENTER	4	TO	X X X X X X X X		
26 QRO-1219	FEED BAR SCREW CENTER NUT	4	TO	X X X X X X X X		
27 141920-452	FEED DOG SCREW	4	TF	X X X X X X X X		
28 531667	FEED DOG	4	XB	X X X X X X X X		
29 44601	FEED BAR	4	HG	X X X X X X X X		
30 37915	FEED SHAFT	4	HG	X X X X X X X X		
31 179880-001	ROCK SHAFT CENTER (PLASTIC)	4	PB	X X X X X X X X		
32 141925-833	CENTER SET SCREW	2	TO	X X X X X X X X		
33 37284-001	FEED FORKED CONNECTION RET. WASHER	4	TQ	X X X X X X X X		
34 37288	FEED LIFTING ROCK SHAFT CONN. ROD	4	HG	X X X X X X X X		
35 QRO-1219	HINGE SCREW NUT	2	TO	X X X X X X X X		
36 319675	FEED LIFTING ROCK SHAFT ASS'Y	2	SU	X X X X X X X X		
37 44604-901	FEED LIFTING ROCK SHAFT	4	HG	X X X X X X X X		
38 44623	FEED LIFTING ROCK SHAFT PIN	2	TO	X X X X X X X X		
39 QRO-232/900	FEED BAR ASS'Y	2	SU	X X X X X X X X		



LISING14

ROTATING HOOK
THROAT PLATE & BED SLIDE

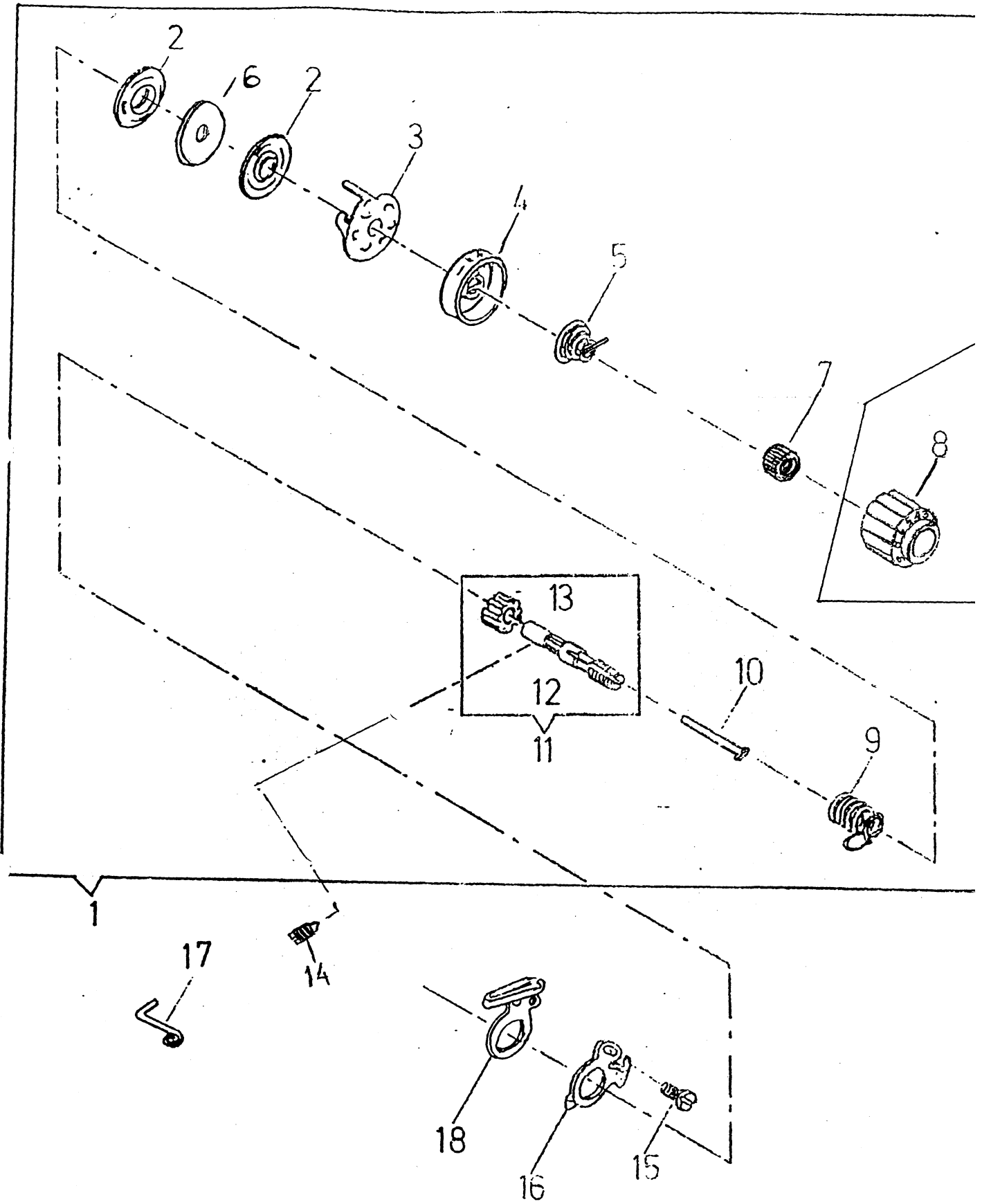
T	C	MODELS					3	3
I	L	9	9	9	9	9	1	1
P	A	7	7	6	6	6	4	0
E	S	4	2	8	6	4	0	2
S	B	B	B	B	B	B	B	K

REF. PART NBR.

DESCRIPTION

Handwritten:
531663

REF. PART NBR.	DESCRIPTION	T	C	MODELS	3	3
1 172336	ROTATING HOOK BOBBIN (PLASTIC)	4	XJ	X X X X X X X	X	X
2 421326-000	ROTATING HOOK BOBBIN CASE COMPLETE	4	XT	X X X X X X X	X	X
3 310884-451	R.HOOK BOBBIN CASE TENSION SPRING	4	XT	X X X X X X X	X	X
4 310883	R.HOOK BOBBIN CASE T. SPRING SEG.	4	XT	X X X X X X X	X	X
5 139975-803	SPRING TENSION ADJUSTING SCREW	4	XT	X X X X X X X	X	X
6 354183-451	SPRING SEGMENT SCREW	4	XT	X X X X X X X	X	X
7 356720-000	ROTATING HOOK	4	XB	X X X X X X X	X	X
8 44512-000	ROTATING HOOK BUSHING	4	XB	X X X X X X X	X	X
9 141925-833	ROTATING HOOK BUSHING SET SCREW	2	TO	X X X X X X X	X	X
10 139943-819	FLANGED BUSHING POS. ADJ. SCREW	4	TF	X X X X X X X	X	X
11 354229-819	ROTATING H. BOBBIN CASE POS. SCREW	4	TF	X X X X X X X	X	X
12 353123	R.HOOK BOBBIN CASE RETAINING PLATE	2	SU	X X X X X X X	X	X
13 353110	RETAINING PLATE BOBBIN CASE	4	TQ	X X X X X X X	X	X
14 422130	RETAINING PLATE BOBBIN CASE PIN	2	TO	X X X X X X X	X	X
15 44716	R. HOOK BELT DRIVE PULLEY COMPL.	2	SU	X X X X X X X	X	X
16 44715-901	R. HOOK BELT DRIVE PULLEY	4	XB	X X X X X X X	X	X
17 354906-451	R. HOOK BELT DRIVE PULLEY SCREW	2	TO	X X X X X X X	X	X
18 44873-000	ROTATING HOOK BOBBIN CASE P. PLATE	4	TQ	X X X X X X X	X	X
19 447486	R. HOOK BOBBIN CASE R.PLATE WASHER	4	TQ	X X X X X X X	X	X
20 353122	R. HOOK BOBBIN CASE R.PLATE SPRING	4	RE	X X X X X X X	X	X
21 QRO-1000	R. HOOK BOBBIN CASE R.PLATE RING	4	TQ	X X X X X X X	X	X
22 444888	THROAT PLATE CLAMP	4	TO	X X X X X X X	X	X
23 531663	THROAT PLATE	2	TQ	X X X X X X X	X	X
24 179943	THROAT PLATE POSITIONING PIN	4	PB	X X X X X X X	X	X
25 444889	THROAT PLATE CLAMP SPRING	4	RE	X X X X X X X	X	X
26 QRO-1301	THROAT PLATE CLAMP SPRING CLIP	4	TQ	X X X X X X X	X	X
27 446151	BED SLIDE	4	TQ	X X X X X X X	X	X
28 141844-819	BED SLIDE SPRING SCREW	4	TF	X X X X X X X	X	X
29 37239	BED SLIDE SPRING	4	TQ	X X X X X X X	X	X
30 354227-452	R. HOOK BOBBIN CASE R.PLATE SCREW	4	TF	X X X X X X X	X	X
31 381903-000	R. HOOK BOBBIN CASE R.PLATE ADJUS.	4	TQ	X X X X X X X	X	X



LISING15

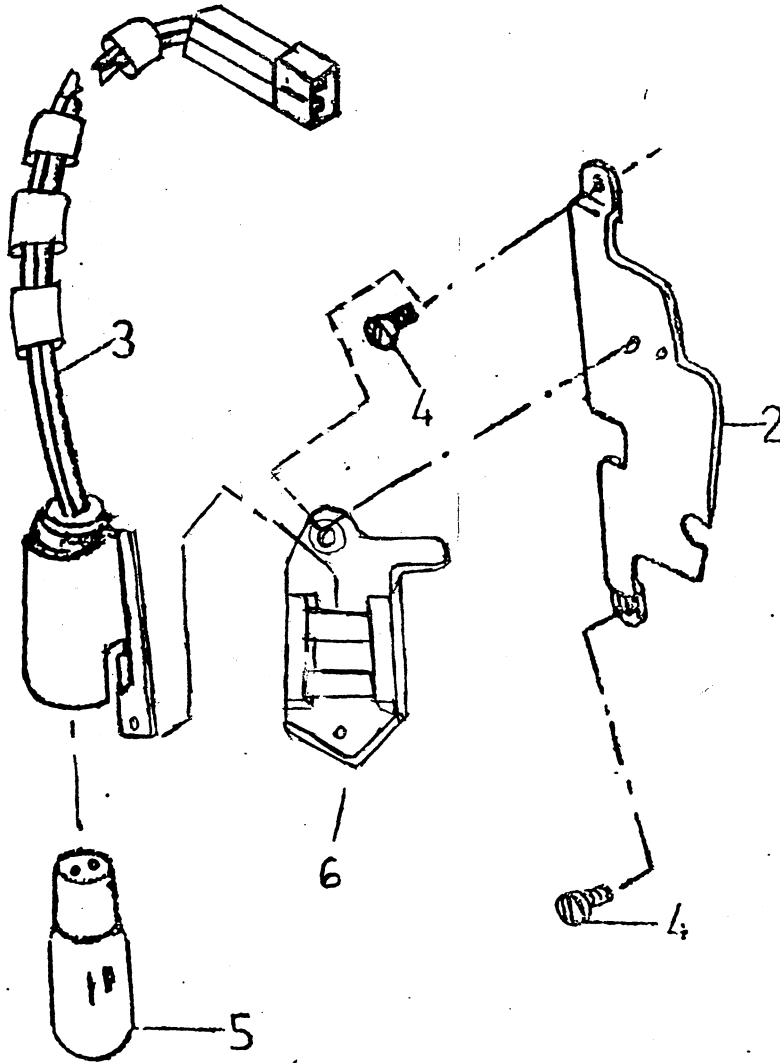
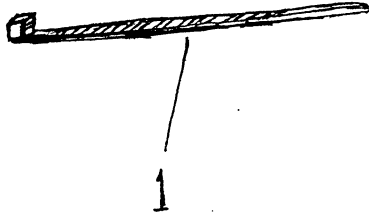
TENSION MECHANISM

T	C	MODELS						3	3
I	L	9	9	9	9	9	1	1	
P	A	7	7	6	6	6	4	0	
E	S	4	2	8	6	4	0	2	
S	B	B	B	B	B	B	B	K	

REF. PART NBR.

DESCRIPTION

REF. PART NBR.		DESCRIPTION		T	C	MODELS		
1	446323-002	TENSION MOUNTING BRACKET W/O ITEM 8	2	SU	X	X	X	X
2	2102-001	TENSION DISC	4	TQ	X	X	X	X
3	45343	THREAD TAKE-UP SPRING THREAD GUARD	4	TQ	X	X	X	X
4	QRO-1391-453	TENSION SPRING CUP	4	PB	X	X	X	X
5	125314	TENSION SPRING	4	RE	X	X	X	X
6	44633	TENSION CENTRAL DISC	4	TQ	X	X	X	X
7	446126	TENSION INDICATOR ADAPTER	2	TO	X	X	X	X
8	445054-034	TENSION INDICATOR DIAL	4	PB	X	X	X	X
9	45343	THREAD TAKE-UP SPRING	4	RE	X	X	X	X
10	44634	TENSION RELEASING PIN	4	TQ	X	X	X	X
11	446333	TENSION STUD ASS'Y	2	SU	X	X	X	X
12	446332	TENSION STUD	2	TO	X	X	X	X
13	SK-3254-900	TENSION STUD COLLAR	4	PB	X	X	X	X
14	QRO-1419	TENSION STUD SET SCREW	4	TO	X	X	X	X
15	141920-451	SLACK TH. REG.& TENSION SCREW	4	TF	X	X	X	X
16	44392-000	SLACK TH. REG.& TENSION TH. GUIDE	4	TQ	X	X	X	X
17	37989	THREAD GUIDE LOWER	4	TQ	X	X	X	X
18	37990	SLACK TH. REG.& TENSION TH. GUIDE	4	TQ	X	X	X	X

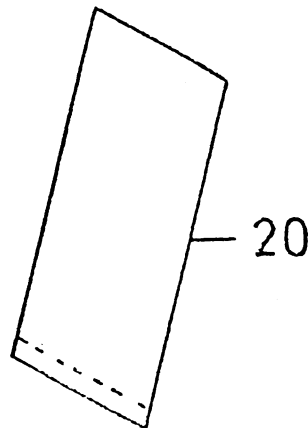
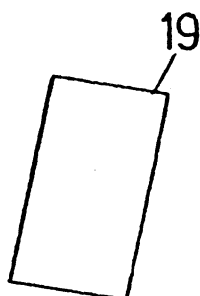
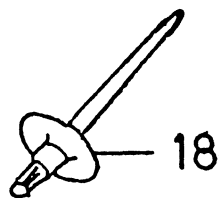
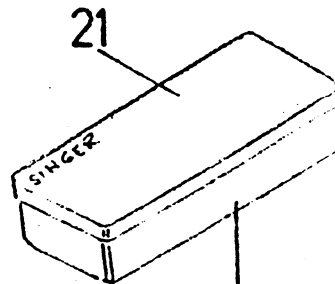
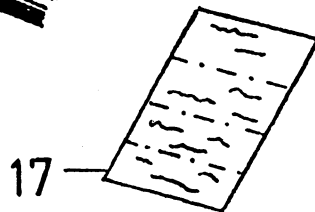
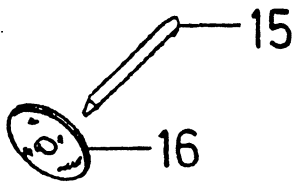
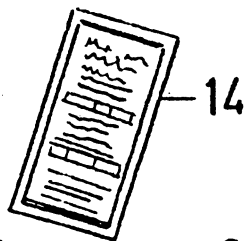
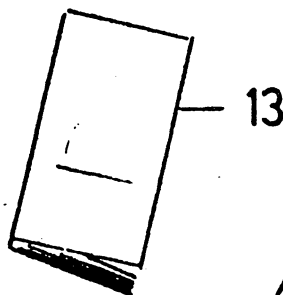
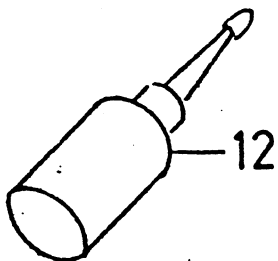
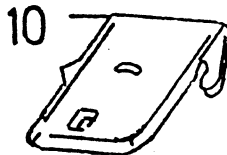
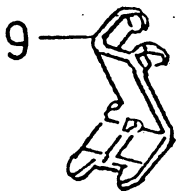
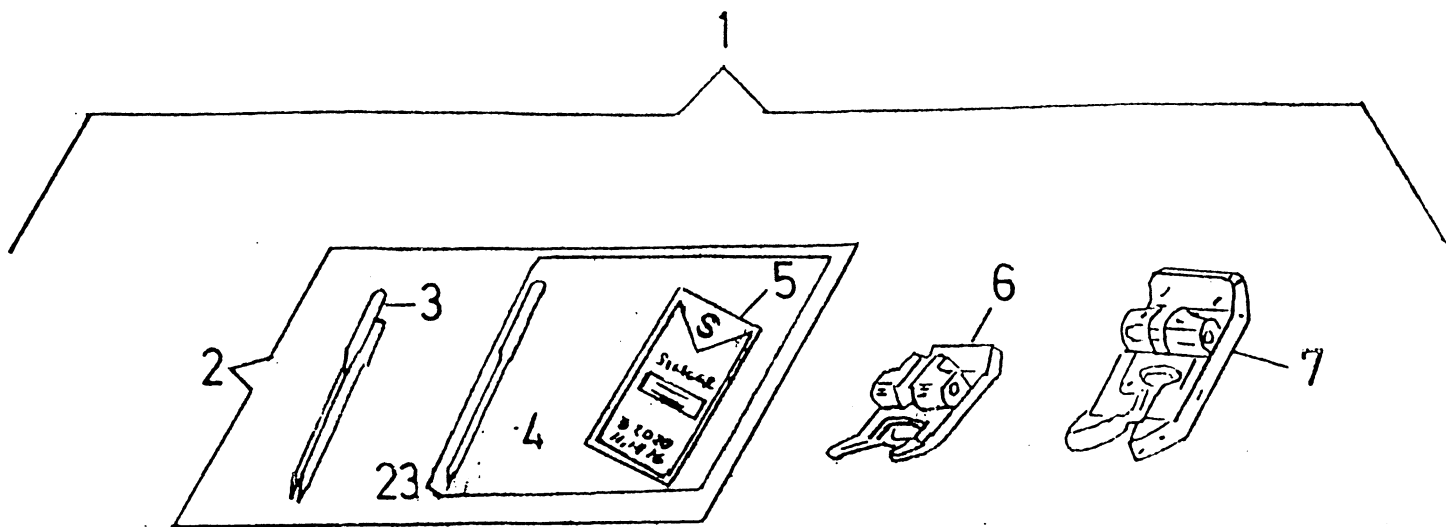


LISING16

INTEGRAL LIGHT

T C	MODELS	3 3
I L	9 9 9 9 9 1 1	
P A	7 7 6 6 6 4 0	
E S	4 2 8 6 4 0 2	
S	B B B B B B K	

REF.	NO.PARTE	DESCRIPCION											
1	605600-001	LIGHT LEAD RETAINER (PLASTIC)	4	SU	X	X	X	X	X	X	X	X	X
2	446001-1016	LIGHT BRACKET SUPORT PLATE	4	TQ	X	X	X	X	X	X	X	X	X
3	QRO-1570	LIGHT COMPLETE ASS'Y	4	SE								X	X
	QRO-1570	LIGHT COMPLETE ASS'Y	4	SE	X	X	X	X	X				
4	141844-819	LIGHT SUPORT SET SCREW	4	TF	X	X	X	X	X	X	X	X	X
5	777910-001	LIGHT BULB 15 W.	4	XT	X	X	X	X	X	X	X	X	X
6	362098-901	LIGHT LEAD RETAINER	4	PB	X	X	X	X	X				



22

LISING17

ATTACHMENT SET

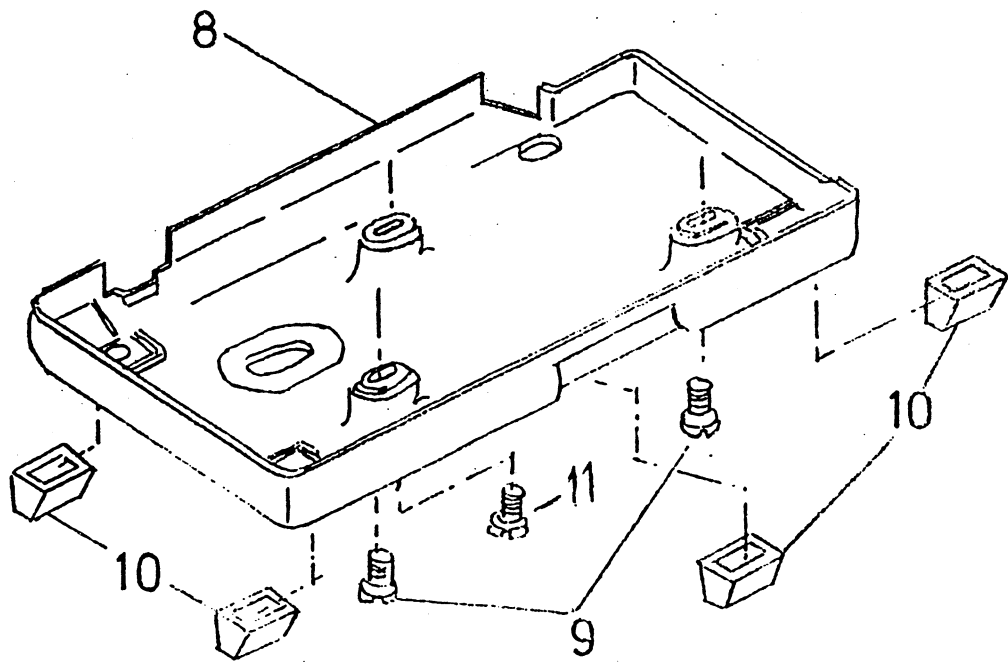
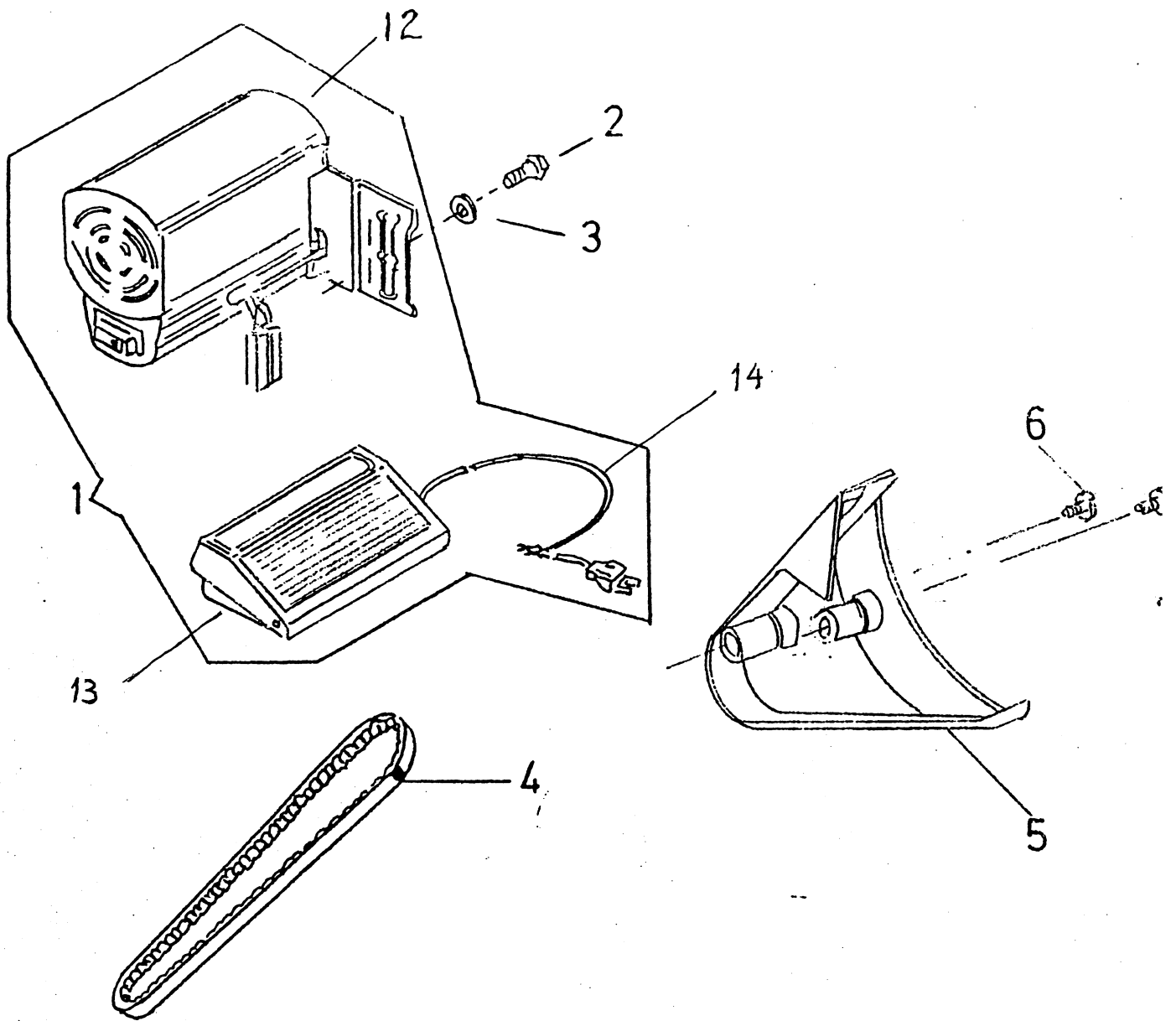
T	C	MODELS						3	3
I	L	9	9	9	9	9	1	1	
P	A	7	7	6	6	6	4	0	
E	S	4	2	8	6	4	0	2	
S	B	B	B	B	B	B	B	K	

REF. PART NBR.

DESCRIPTION

1	QRO-1196-011	ATTACHMENT SET BOX	4	SU	X					X
	QRO-1196-012	ATTACHMENT SET BOX	4	SU		X				
	QRO-1196-013	ATTACHMENT SET BOX	4	SU			X			
	QRO-1196-014	ATTACHMENT SET BOX	4	SU				X	X	
	QRO-1196-021	ATTACHMENT SET BOX	4	SU						X
2	QRO-723	NEEDLE PACK BAG	4	SU	X	X	X	X	X	X
3	202814CX	TWIN NEEDLE	4	XB	X	X	X			X
4	204514CX	NEEDLE BALL POINT	4	XB	X	X	X	X	X	X
5	381058	NEEDLE PACK BAG 11,14,16.	4	XB	X	X	X	X	X	X
6	171497	PRESSER FOOT-SPECIAL PURPOSE	4	XB	X	X	X			X
7	161927	PRESSER FOOT PLATE FOR BUTTONHOLER	4	XB	X	X	X			X
8	172336	BOBBIN PLASTIC	4	PB	X	X	X	X	X	X
9	179911	PRESSER FOOT BUTTON SEWING	4	XB	X	X	X			X
10	381495	FEED COVER PLATE (PLASTIC)	4	XB	X	X	X	X	X	X
11	171340	DISC # 350	4	PB	X	X				X
	171342	DISC # 352	4	PB	X	X				X
	171343	DISC # 353	4	PB	X	X				X
	171345	DISC # 355	4	PB	X	X				X
	276301	DISC # 1	4	PB	X	X				X
	276302	DISC # 2	4	PB	X	X				X
	276303	DISC # 3	4	PB	X					X
	276305	DISC # 5	4	PB	X	X				X
	276306	DISC # 6	4	PB	X	X				X
	276307	DISC # 7	4	PB	X					X
	276309	DISC # 9	4	PB	X					X
	276311	DISC # 11	4	PB	X					X
	276312	DISC # 12	4	PB	X	X				X
	276313	DISC # 13	4	PB	X	X				X
	276314	DISC # 14	4	PB	X					X
	276316	DISC # 16	4	PB	X					X
	276317	DISC # 17	4	PB	X					X
	276318	DISC # 18	4	PB	X					X
	276319	DISC # 19	4	PB	X					X
	276320	DISC # 20	4	PB	X					X
	276321	DISC # 21	4	PB	X					X
	276322	DISC # 22	4	PB	X					X
	276325	DISC # 25	4	PB	X					X
	276326	DISC # 26	4	PB	X					X
	276327	DISC # 27	4	PB	X	X				X
	276328	DISC # 28	4	PB	X					X
	276329	DISC # 29	4	PB	X					X
	276330	DISC # 30	4	PB	X					X
	276337	DISC # 37	4	PB	X					X
	276351	DISC # 31 OR 351	4	PB	X					X
12	447463-000	OIL CONTAINER 15 C.C.	4	PT						X

13	QRO-1197	INSTRUCTION BOOK	4	FO	X	X	X	X	X	
	QRO-1197-001	INSTRUCTION BOOK	4	FO						X
	QRO-1197-002	INSTRUCTION BOOK	4	FO						X
14	QRO-1159	GUARENTEED SHEET	4	FO	X	X	X	X	X	
15	173571	SPOOL PIN	4	PB		X	X	X		X
16	8879-750	SPOOL PIN WASHER FELT	4	TQ	X	X	X	X	X	X
17	F-2919-1	OPERATING MACHINE CLASS (4)	4	FO	X	X				
	F-2929-2	OPERATING MACHINE CLASS (2)	4	FO		X	X	X		
18	444813-454	SPOOL PIN TWIN NEEDLE	4	PB	X	X				X
19	QRO-1164	SERVICE CENTER SHEET	4	FO	X	X	X	X	X	
20	447131	ATTCHAMENT BOX COVER	4	PB	X	X	X	X	X	X
21	507836-000	PRESSER FOOT PLATE FOR ZIPPER	4	XB						X
22	447132	ATTCHAMENT BOX BASE	4	PB	X	X	X	X	X	X
23	381480	NEEDLE PACK 11,14,16 AND 204514CX	4	PB			X	X		X



34

PARTES OPCIONALES

LISING20

OPTIONS PARTS

T	C	MODELS	3	3
I	L	9 9 9 9 9	1	1
P	A	7 7 6 6 6	4	0
E	S	4 2 8 6 4	0	2
S	B	B B B B B	B	K

REF. PART NBR.

DESCRIPTION

REF. PART NBR.	DESCRIPTION	T	C	MODELS	3	3
1	WZC148237CH-SF SET LECTRIC COMPLETE WZC 7-8 110 V.	4	XB			X X
2	604020-003 MOTOR MOUNTING SCREW	4	TF	X X X X X	X X X	
3	604018-002 MOTOR MOUNTING SCREW WASHER	4	TQ	X X X X X	X X X	
4	196388-003 MOTOR BELT	4	PT	X X X X X	X X X	
5	445736-456 MOTOR BELT COVER (PLASTIC)	4	PB			X X
6	354792-452 MOTOR BELT COVER SCREW LOWER	4	TF			X X
7	354805-452 MOTOR BELT COVER SCREW UPPER	4	TF			X X
8	531671-453 BED COVER	4	PB			X X
9	354833-451 BED COVER SCREW	4	TF			X X
10	446154-451 CUSHION RUBER	4	PB			X X
11	139909-819 BED COVER SCREW	4	TF			X X
12	WAC148137-SFSR SET LECTRIC COMPLETE WZC 14-8 120V	4	XB	X X X X X		
13	QRO-1495 FOOT CONTROLLER COMPLETE	2	SU	X X X X X		
14	QRO-1498 MOTOR & F.CONTROLER HARNESS	2	SU	X X X X X		

LISING18

MACHINE PACKING
DEVELOPMENT

T	C	MODELS					3	3
I	L	9	9	9	9	9	1	1
P	A	7	7	6	6	6	4	0
O	S	4	2	8	6	4	0	2
E	B	B	B	B	B	B	B	K

REF. PART NBR.

DESCRIPTION

1	974 B	FACILITA MASTER	2	SU	X					
	972 B	FACILITA ULTRA	2	SU		X				
	968 B	SUPER NOVA	2	SU			X			
	966 B	PUNTO PERFECTO	2	SU				X		
	964 B	STELLA	2	SU					X	
	3145 B	MACH.MOD.3145 B MERRITT EXP.USA	2	SU						X
	3102 K-MART	MACH.MOD.3102 B EXP.USA	2	SU						X
2	QRO-1078	COCOONS POLYESTIRENE	2	PT	X	X	X	X	X	
	QRO-1323	COCOONS POLYESTIRENE	2	PT						X X
4	02-01-0017	ADHESIVE TAPE 2"	4	PT	X	X	X	X	X	X X
5	QRO-1076	CARTON BOX	4	PT	X	X	X	X	X	
	QRO-1393	CARTON BOX EXP.USA	4	PT						X
	QRO-1565	CARTON ILLUSTRATED BOX EXP.USA	4	PT						X
6	QRO-1080	PACKING COMPONENTS	2	SU	X	X	X	X	X	
7	QRO-1254	CAUTION ADHESIVE NAMEPLATE BED	4	FO						X X
8	QRO-1253	WRAPPING CARTON	4	PT	X	X	X	X	X	