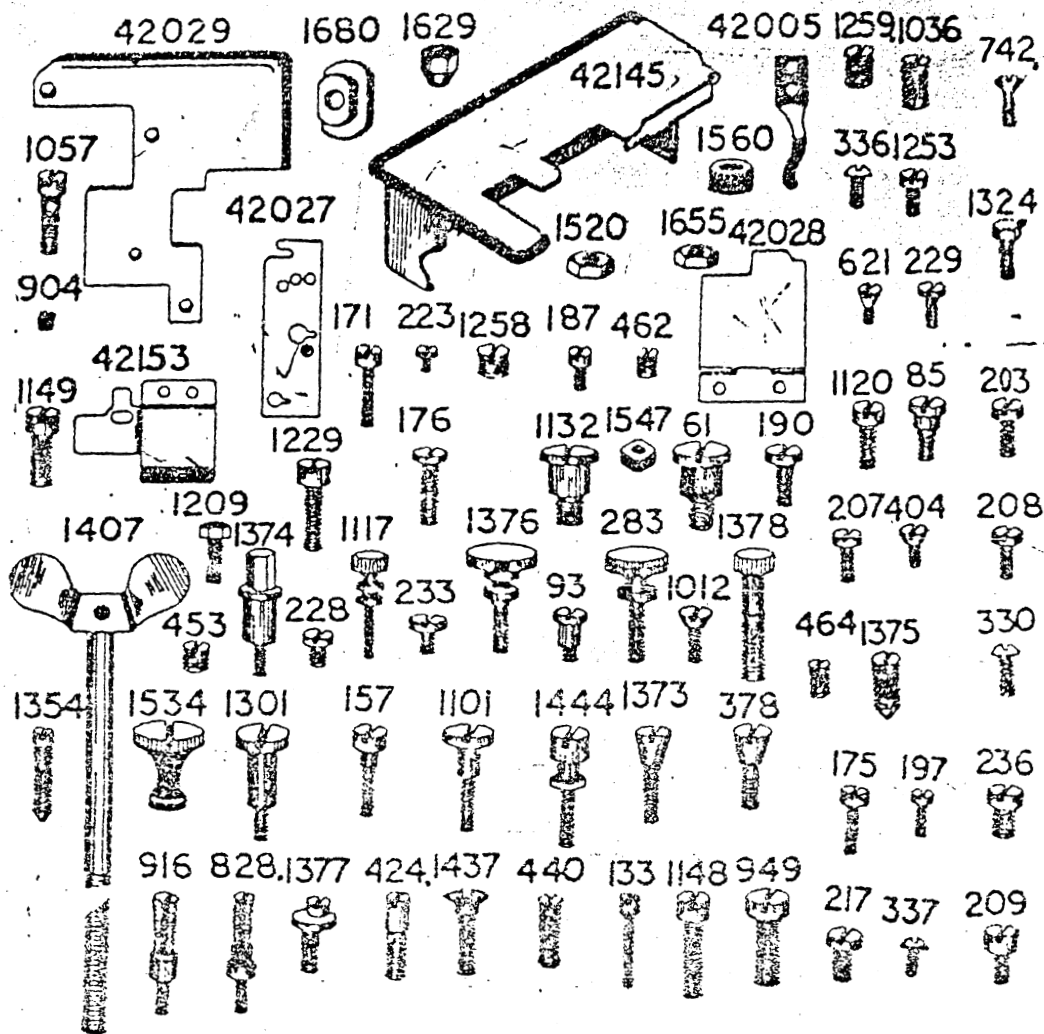
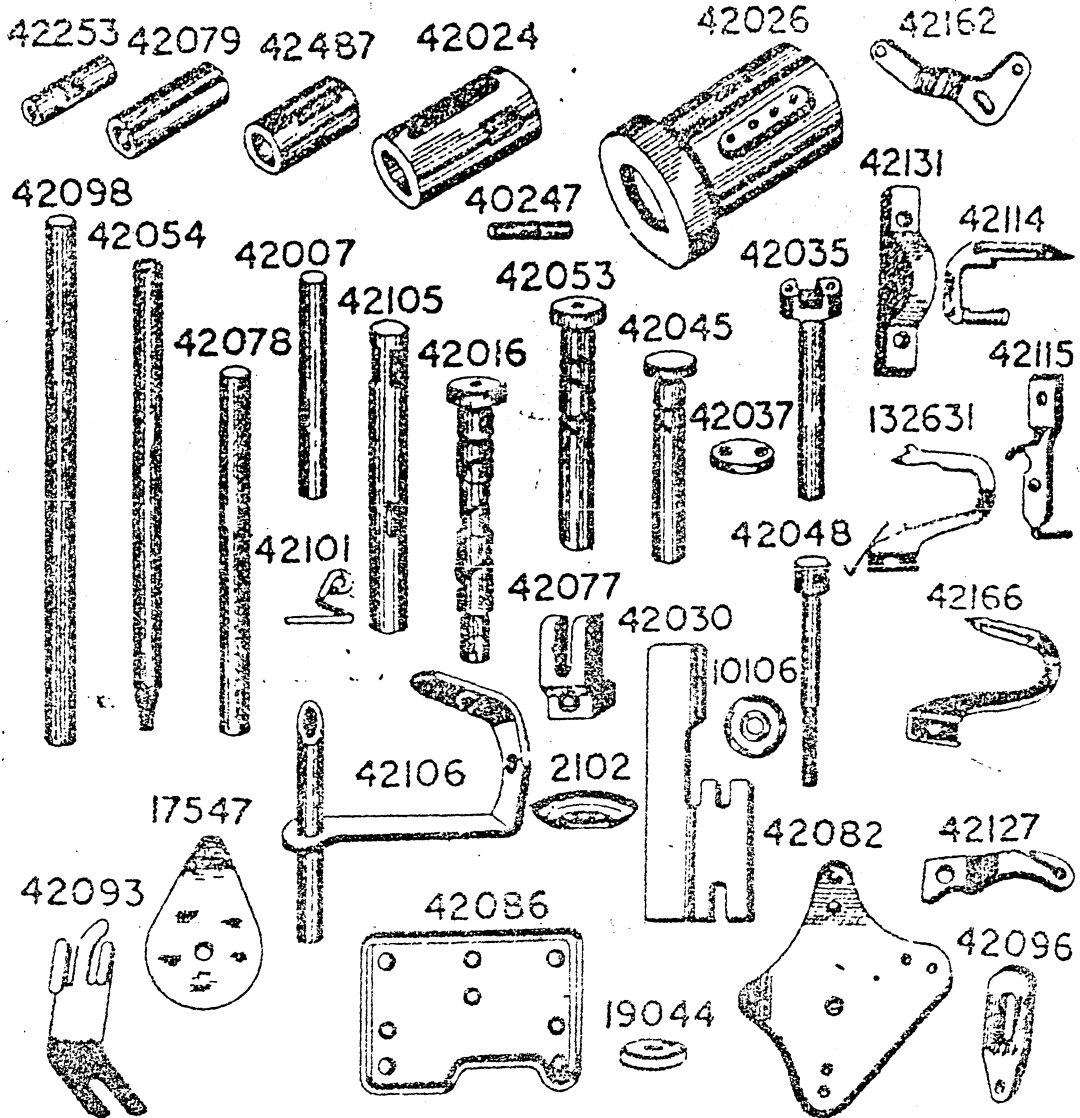


OVERLOCK MACHINE PARTS



- | | | | | | |
|-----|---|------|---|-------|--|
| 61 | Screw | 453 | Screw without head for 42011 | 1376 | Screw without head for 42025 |
| 85 | Screw (for pressure foot) lever hinge 42070 | 462 | Screw (without head) for 42012 | 1374 | Screw stud for part No. 42015 |
| 93 | Screw for 42115 bracket | 621 | Screw for 42039 in 42042 | 1377 | Pressure lever screw stud Nut 1547 |
| 133 | Screw tight upper cutter | 828 | Tension screw stud for looper left hand | 1378 | Pressure screw |
| 157 | Screw for clamping screw 420210 | 904 | Screw (without head) for 42104 | 1407 | Big screw at a bottom to fix the machine |
| 171 | Screw For 42077 | 916 | Tension screw stud (needle thread) | 1437 | Screw for cover |
| 175 | Screw for 42043 | 949 | Screw to fix 2 parts of the body | 1444 | Screw at back in 42154 |
| 176 | Screw frame top extension 42030 | 1012 | Screw (slope head) for 42015 | 1534 | Thumb Nut |
| 187 | Screw needle bar clamping screw 42061 | 1036 | Screw without head for 42026 | 1547 | Square Nut for 1377 |
| 190 | Screw feed back regulator & 42182 | 1057 | Screw for cap of 42008 | 1560 | Tension Regulating Thumb nut |
| 197 | Screw for 42127 & 42166 | 1101 | Screw for Cutter holder, inside | 1655 | Nut for 1437 |
| 203 | Screw for feed dog for 42149 | 1117 | Screw for 42189 | 1698 | Nut for needle bar |
| 208 | Screw for 42162 | 1120 | Screw pressure lever stud 42045 | 1629 | Nut for Cover 42145 |
| 217 | Screw for 42096 | 1132 | Screw for 42148 | 42005 | Part of Cover 42145 |
| 223 | Screw for 42061 | 1148 | Screw lifting lever 42130 | 42028 | Hinge Lever Front |
| 228 | Screw for needle bar bracket retainer 42115 | 1149 | Screw for feed dog | 42029 | Back Cover |
| 229 | Screw to fix 2 parts of the cloth plate 42145 | 1258 | Screw without head for 42103 | 42153 | waste Cover D |
| 233 | Screw for changing finger | 1259 | Screw without head for 42104 | 1680 | Nut for 1374 |
| 236 | Screw clothplate lock spring for 42146 | 1253 | Screw fixing 42007 shaft | 742 | Screw for stitching plate |
| 283 | Thumb screw in 42102 | 1301 | Screw for foot lifter 42130 | 42145 | Big cover complete |
| 330 | Screw for 42027 & 42028 | 1324 | Screw (for pressure foot) | 42027 | Needle protector cover sc 330 w |
| 336 | Screw for 42038 | 1354 | Screw for position in balance wheel 42001 | | |
| 378 | Screw slope head for 42052 link | 1373 | Screw (slope head) for 42042 & 42008 | | |
| 404 | Screw for 42037 | | | | |
| 424 | Screw for setting in Balance wheel 42001 | | | | |
| 440 | Screw without head for 42154 for stop motion | | | | |

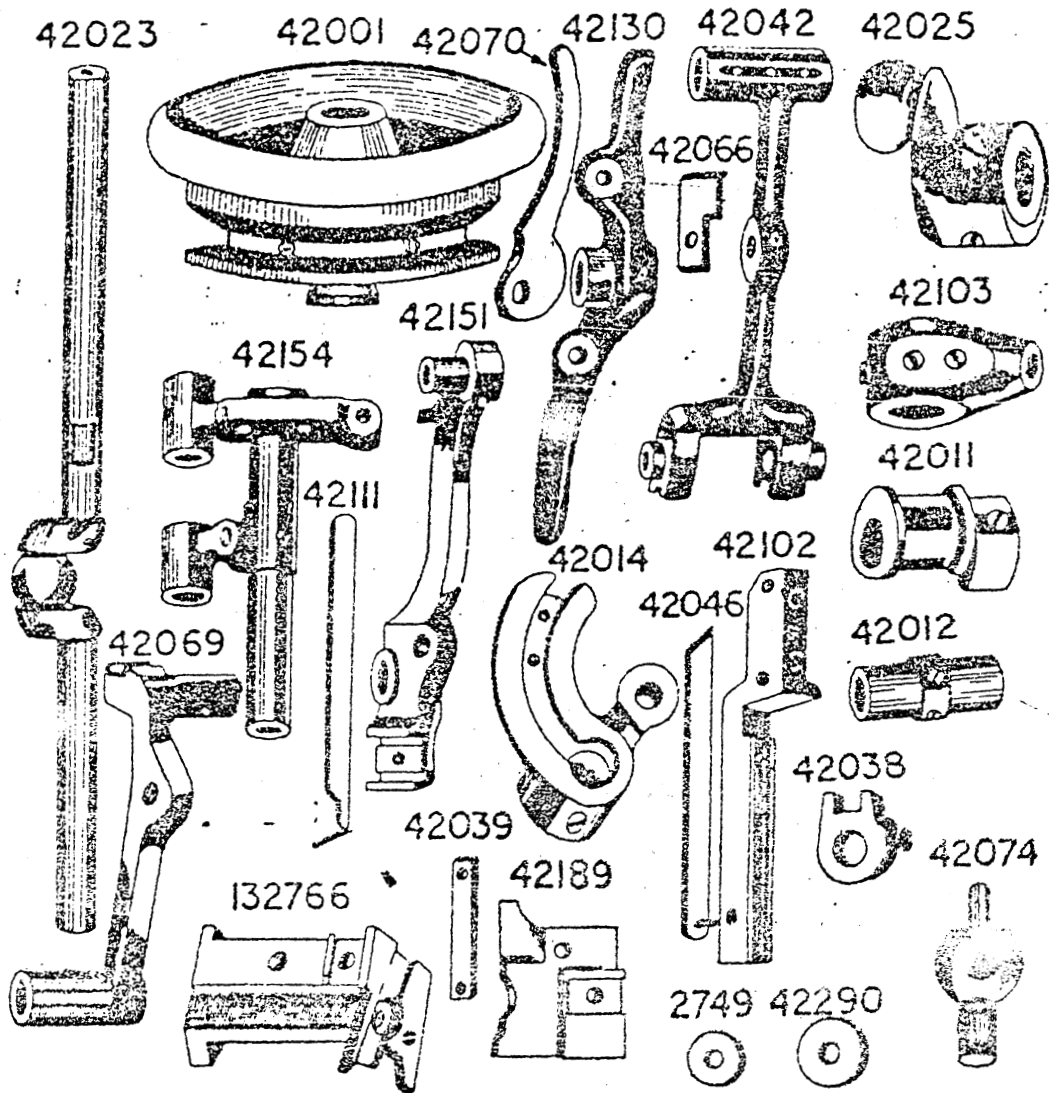
OVERLOCK MACHINE PARTS



- 2102 Tension disc
- 10106 Tension disc
- 19044 Washer for 42189
- 17547 Tension Thread Guide
- 40247 Pin for 42053 sc 223 fir 42061
- 42007 Hinge pin
- 42016 Feed Regulator hinge stud
- 42024 Bush for main shaft
- 42026 Coller Bush for main shaft
- 42030 Keeper plate (for waste)
- 42035 With 42037 & 2x404 1x13 1x420490
- 42037 Cutter holder cup sc 404c
- 42045 Cutter lever & Pressure hinge stud
- 42048 Cutter Clamping Stud
- 42053 Looper lever hinge stud
- 42054 Needle bar
- 42086 Base of Machine
- 42077 Guide for 42075 & 42074

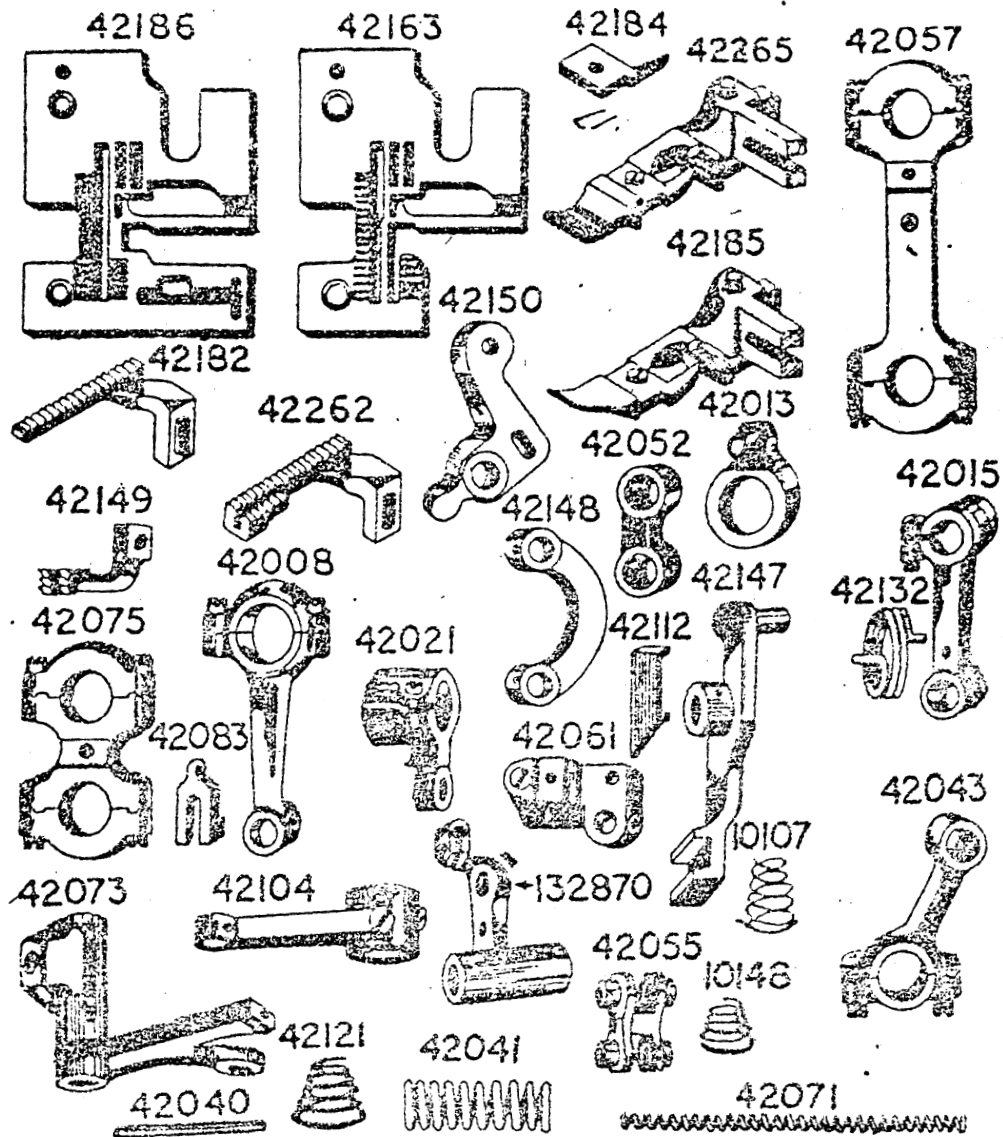
- 42078 Hinge pin for 42073
- 42079 Bush for hinge pin
- 42082 Tension Thread Guide (Needle)
- 42093 Thread staple
- 42096 Thread eyelet needle
- 42098 Shaft for 42154
- 42106 Oil Tube and bracket for 42071
- 42114 Small Looper
- 42115 Complete with 93, 10107 & 10106
- 42127 Thread take up
- 42131 Lifting lever bracket screw 1229 c
- 42131 Lock Spring for loading front cover
- 42162 Thread take up (Needle) Screw 197 d
- 42166 Big Looper
- 42253 Needle bar bushing
- 42487 Needle bar crankshaft bushing
- 432631 Bling Looper

OVERLOCK MACHINE PARTS



- | | | | |
|-------|---|--------|----------------------------------|
| 42001 | Balance wheel for screw 1354c & 424c | 42066 | Needle guard and screw for 171F |
| 42011 | Feed eccentric tow 453 | 42070 | Pressure foot lifter |
| 42014 | Feed regulator with tow 1259 | 42074 | Ball stud |
| 42023 | Rotary main shaft | 42102 | Holder keeper plate of waste |
| 42025 | Frame Rotary shaft crank with 1375 & 1259 | 42103 | Needle Bar Crank complete (Back) |
| 42038 | Cutter holder guide sc 337F | 42111 | Upper Cutter |
| 42039 | Cutter Holder guide plate | 42130 | Lifting lever |
| 42040 | Pressure pin for cutter | 42154 | Feeding Rock shaft |
| 42042 | Cutter lever | 42189 | Hemming Part |
| 42046 | Cutter downside | 132766 | Cutter holder downside |
| | | 132870 | Looper link Crank |

OVERLOCK MACHINE PARTS



10107	Spring for 42115	42104	Needle bar Crank complete (front) sc 904
10148	Tension spring for left hand looper	42112	Cutter Gib
42008	Connecting rod with tow 1057	42121	Spring for tension disc left looper
42013	Feed lifting eccentric connection	42132	Spring for foot lifter 42130
42015	Feed regulator with 1012	42147	Feed Bar
42021	Feed rock shaft crank with 157 E	42148	Connection link
42040	Pressure pin for cutter	42149	Feed dog small three teeth
42041	Spring (Holder) upper cutter	42150	Regulator (for dog)
42043	Cutter lever connection part screw 175 E	42165	Stitching plate (Needle)
42052	Connecting link Screw 378	42182	Feed dog for hemming
42055	Needle bar connection link	42184	Chaining finger
42057	Connection rod complete for 42023 sc 896c	42185	Pressure foot for hemming
42061	Needle bar connecting bracket 187 a	42186	Needle plate for hemming
42071	Spring for foot lifter	42262	Feed dog full teeth
42073	Spreader lever steel make	42265	Pressure foot complete (spring hinge)
42075	Connection port looper spread lever sc 826 c	42001	Blance wheel for screw 134c & 424c
		42011	Head eccentric two 453

PRICE LIST FOR OVERLOCK 81T3/T6 COMPONENTS

S.No.	Part No.	Part Description	Rate US\$
1	2102	TENSION DISC	0.01
2	10106	TENSION DISC	0.01
3	10107	SPRING FOR 42115	0.01
4	10148	TENSION SPRING FOR LEFT HAND LOOPER	0.01
5	17547	TENSION THREAD GUIDE	0.02
6	19044	WASHER FOR 42189	0.01
7	40247	PIN FOR 42055 SC 223 FIR 42061	0.01
8	42001	BALANCE WHEEL WITH SC 13540 & 424C	0.51
9	42005	PARTS OF COVER 42145 (LOCK)	0.12
10	42007	HINGE PIN	0.03
11	42008	CONNECTING ROD WITH TOW 1057	0.02
12	42011	FEED ACCENTRIC TWO 453	0.17
13	42013	FEED LIFTING ACCENTRIC CONNECTION	0.15
14	42014	FEED REGULATOR WITH TOW 1259	0.17
15	42015	FEED REGULATOR WITH 1012	0.21
16	42016	FEED REGULATOR HINGE STUD	0.08
17	42021	FEED ROCK SHAFT CRANK WITH 157E	0.09
18	42023	ROTARY MAIN SHAFT	0.51
19	42024	BUSH FOR MAIN SHAFT	0.16
20	42025	FRAME ROTARY SHAFT CRANK	0.28
21	42026	COLLER BUSH FOR MAIN SHAFT	0.16
22	42027	NEEDLE PROTECTOR COVER SC 330W	0.06
23	42028	HINGE LEVER FRONT	0.10
24	42029	BACK COVER	0.14
25	42030	KEEPER PLATE (FOR WASTE)	0.06
26	42035	WITH 42037 & 2X404, 1X13, 1X420490	0.14
27	42037	CUTTER HOLDER CUP SC 404C	0.00
28	42038	CUTTER HOLDER GUIDE SC 337F	0.05
29	42039	CUTTER HOLDER GUIDE PLATE	0.01
30	42040	PRESSURE PIN FOR CUTTER	0.00
31	42041	SPRING (HOLDER) UPPER CUTTER	0.02
32	42042	CUTTER LEVER	0.18
33	42043	CUTTER LEVER CONNECTION PART SCHREW 175E	0.28
34	42045	CUTTER LEVER & PRESSURE HINGE STUD	0.09
35	42046	CUTTER DOWNSIDE (42309)	0.66
36	42048	CUTTER CLAMPING STUD	0.04
37	42052	CONNECTING LINK SCREW 378	0.12
38	42053	LOOPER LEVER HINGE STUD	0.06
39	42054	NEEDLE BAR	0.10
40	42055	NEEDLE BAR CONNECTION LINK	0.20
41	42057	CONNECTION ROD COMPLETE FOR 42023 SC 896C	0.66
42	42061	NEEDLE BAR CONNECTING BRACKET 187	0.16
43	42066	NEEDLE GUARD AND SCREW FOR 171F	0.00
44	42070	PRESSURE FOOT LIFTER	0.02
45	72071	SPRING FOR FOOT LIFTER	0.01
46	42073	SPEADER LEVER STEEL MAKE	0.51

PRICE LIST FOR OVERLOCK 81T3/T6 COMPONENTS

S.No.	Part No.	Part Description	Rate US\$
47	42074	BALL STUD	0.20
48	42075	CONNECTION PORT LOOPER SPREAD LEVER SC826	0.69
49	42077	GUDE FOR 42075 & 42074	0.10
50	42078	HINGS PIN FOR 42073	0.05
51	42079	BUSH FOR HINGS PIN	0.13
52	42082	TENSION THREAD GUIDE (NEEDLE)	0.05
53	42086	BASE OF MACHINE	0.16
54	42093	THREAD STAPLE	0.02
55	42096	THREAD CYCLET NEEDLE	0.02
56	42098	SHAFT FOR 42154	0.05
57	42101	LOCK SPRING FOR FOLDING FRONT COVER	0.00
58	42102	HOLDER KEEPER PLATE FOR WASTE	0.09
59	42103	NEEDLE BAR CRANK COMPLETE	0.17
60	42104	NEEDLE BAR CRANK COMPLETE (FRONT) SC 904	0.16
61	42106	OIL TUBE AND BRACKET FOR 42071	0.01
62	42111	UPPER CUTTER (42308)	0.66
63	42112	CUTTER GIB	0.01
64	42114	SMALL LOOPER (42166)	0.39
65	42115	COMPLETE WITH 93, 10107, 10106	0.03
66	42121	SPRING FOR TENSION DISC LEFT LOOPER	0.01
67	42127	THREAD TAKE UP	0.01
68	42130	LIFTING LEVER	0.12
69	42131	LIFTING LEVER BRACKET SC 1229 C	0.05
70	42132	SPRING FOR FOOT LIFTER 42130	0.00
71	42145	BIG COVER COMPLETE (MS)	0.58
72	42147	FEED BAR	0.39
73	42148	CONNECTION LINK	0.39
74	42149	FEED DOG SMALL THREE TEETH	0.13
75	42150	REGULATOR FOR DOG	0.23
76	42153	WASTER COVER D	0.02
77	42154	FEEDING ROCK SHAFT (42019)	0.17
78	42162	THREAD TAKE UP (NEEDLE) SC 197 D	0.02
79	42163	STITCHING PLATE NEEDLE	0.24
80	42166	BIG LOOPER	0.39
81	42182	FEED DOG FOR HEMMING	0.13
82	42184	CHAINING FINGER	0.00
83	42185	PRESSURE FOOT FROM HEMMING	0.51
84	42186	NEEDLE PLATE FOR HEMMING	0.27
85	42189	HEMMING PART	0.00
86	42253	NEEDLE BAR BUSHING	0.03
87	42262	FEED DOG FULL TEETH	0.12
88	42265	PRESSURE FOOT COMPLETE (SPRING HING)	0.00
89	42487	NEEDLE BAR CRANKSHAFT BUSHING	0.10
90	132766	CUTTER HOLDER DOWNSIDE	0.11
91	132870	LOOPER LINK CRANK	0.25
92	432631	BLIND LOOPER (ONLY FOR TWO THREAD)	0.00
93	8249	FEED DOG (FOR 81T6)	0.18

PRICE LIST FOR OVERLOCK 81T3/T6 COMPONENTS

S.No.	Part No.	Part Description	Rate US\$
94	61	SEREW	0.02
95	85	SCREW (LEVER HINGE 42070)	0.02
96	93	SCREW FOR 42115 BRACKET	0.02
97	133	SCREW TIGHT UPPER CUTTER	0.02
98	157	SCREW FOR CLAMPING SC 42010	0.02
99	171	SCREW FOR 42077	0.02
100	175	SCREW FOR 42043	0.02
101	176	SCREW FRAME TOP EXTENSION 42030	0.02
102	187	SCREW NEEDLE BAR CLAMPING SC 42061	0.02
103	190	SCREW FEED BACK REGULATOR & 42182	0.02
104	197	SCREW FOR 42127 & 42166	0.02
105	203	SCREW FOR FEED DOG FOR 42149	0.02
106	208	SCREW FOR 42162	0.02
107	217	SCREW FOR 42096	0.02
108	223	SCREW FOR 42061	0.02
109	228	SCREW FOR NEEDLE BAR BRACKET RETAINER 42115	0.02
110	229	SCREW TO FIX 2 PARTS OF THE CLOTH PLATE 42145	0.02
111	233	SCREW FOR CHANGING FIGURE	0.02
112	236	SC CLOTHPLATE LOCK SPRING FOR 42146	0.02
113	283	THUMB SCREW IN 42102	0.02
114	330	SCREW FOR 42027 & 42028	0.02
115	336	SCREW FR 42038	0.05
116	378	SCREW SLOPE HEAD FOR 42052 LINK	0.03
117	404	SCREW FOR 42037	0.02
118	424	SCREW FOR SETTING IN BALANCE WHEEL 42001	0.02
119	440	SCREW WITHOUT HEAD FOR 42154 FOR STOP MOTION	0.02
120	453	SCREW WITHOUT HEAD FOR 42011	0.02
121	462	SCREW (WITHOUT HEAD) FOR 42012	0.01
122	464	SCREW	0.02
123	621	SCREW FOR 42039 IN 42042	0.02
124	742	SCREW	0.02
125	742	SCREW	0.02
126	828	TENSION SCREW STUD FOR LOOPER LEFT HAND	0.02
127	904	SCREW (WITHOUT HEAD) FOR 42104	0.19
128	916	TENSION SCREW STUD (NEEDLE THREAD)	0.03
129	949	SCREW TO FIX 2 PARTS OF THE BODY	0.03
130	1012	SCREW (SLOPE HEAD) FOR 42015	0.02
131	1036	SCREW WITHOUT HEAD FOR 42026	0.02
132	1036	SCREW	0.02
133	1057	SCREW FOR CAP OF 42008	0.02
134	1101	SCREW FOR CUTTER HOLDER DOWNSIDE	0.03
135	1117	SCREW FOR 42189	0.05
136	1120	SCREW PRESSURE LEVER STUD 42045	0.02
137	1132	SCREW FOR 42148	0.03
138	1148	SCREW LIFTING LEVER 42130	0.02
139	1149	SCREW FOR FEED DOG	0.02

PRICE LIST FOR OVERLOCK 81T3/T6 COMPONENTS

S.No.	Part No.	Part Description	Rate US\$
140	1253	SCREW FIXING 42007 SHAFT	0.02
141	1258	SCREW WITHOUT HEAD FOR 42103	0.02
142	1259	SCREW WITHOUT HEAD FOR 42104	0.02
143	1259	SCREW	0.02
144	1301	SCREW OF FOOT LIFTER 42130	0.02
145	1324	SCREW (FOR PRESSURE FOO)	0.02
146	1354	SCREW FOR POSITION IN BALANCE WHEEL 42001	0.02
147	1373	SCREW (SLOPE HEAD) FOR 42042 & 42008	0.05
148	1374	SCREW STUD FOR PART NO. 42015	0.07
149	1376	SCREW WITHOUT HEAD FOR 42025	0.04
150	1377	PRESSURE LEVER SCREW	0.03
151		STUD NUT 1547	0.04
152	1378	PRESSURE SCREW	0.05
153	1407	BIG SCREW AT A BOTTOM TO FIX THE MACHINE	0.02
154	1437	SCREW FOR COVER	0.03
155	1444	SCREW AT BACK IN 42154	0.06
156	1534	THUMB NUT	0.04
157	1560	TENSION REGULATING THUMB NUT	0.03
158	1629	NUT FOR NEEDLE BAR	0.04
159	1655	NUT FOR 1437	0.02
160	1688		0.03
161	1629	NUT FOR NEEDLE BAR	0.04
162	1680	NUT FOR 1374	0.04
163	742	SCREW FOR STITCHING PLATE	0.02
164	117	SCREW FOR 132870	0.02

PARTS NOT REQUIRED FOR 81T6

S.No.	Part No.	Part Description	Rate US\$
1.	42163	STITCHING PLATE NEEDLE	0.24
2.	42182	FEED DOG FOR HEMMING	0.13
3.	42149	FEED DOG SMALL THREE TEETH	0.13
4.	42265	PRESSURE FOOT COMPLETE (SPRING HING)	0.00

PARTS NOT REQUIRED FOR 81T3

S.No.	Part No.	Part Description	Rate US\$
1.	8249	FEED DOG	0.18

Note :

Handling, Forwarding & Packing charges extra.