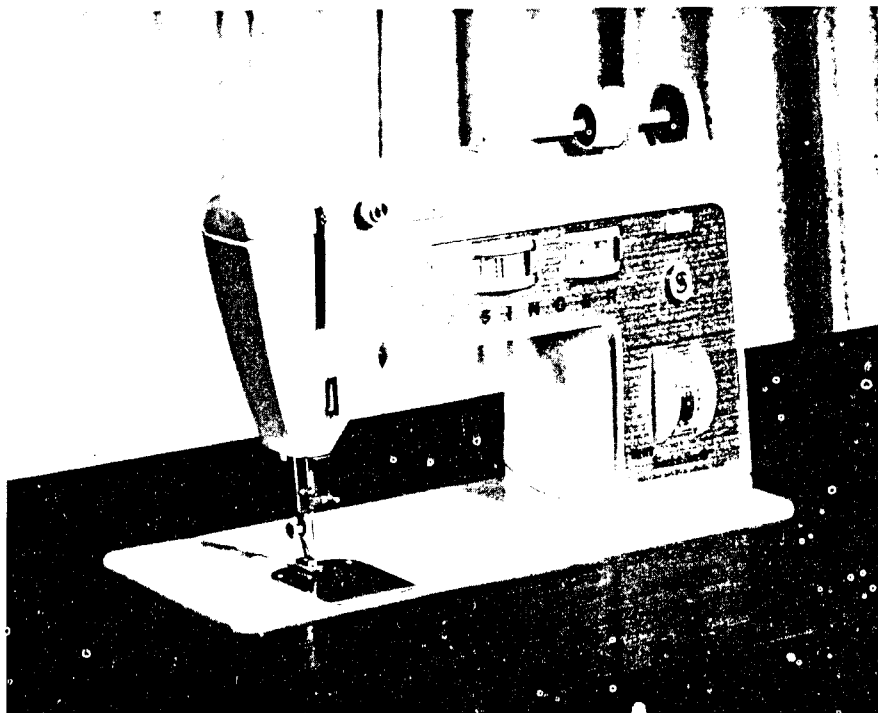


**SINGER**  
750-13

## List of Parts – Machine 750-13

9834406



## ATTACHMENT SET NO. 171487

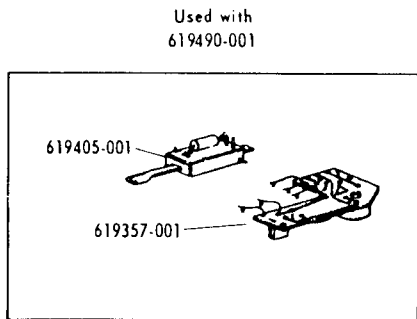
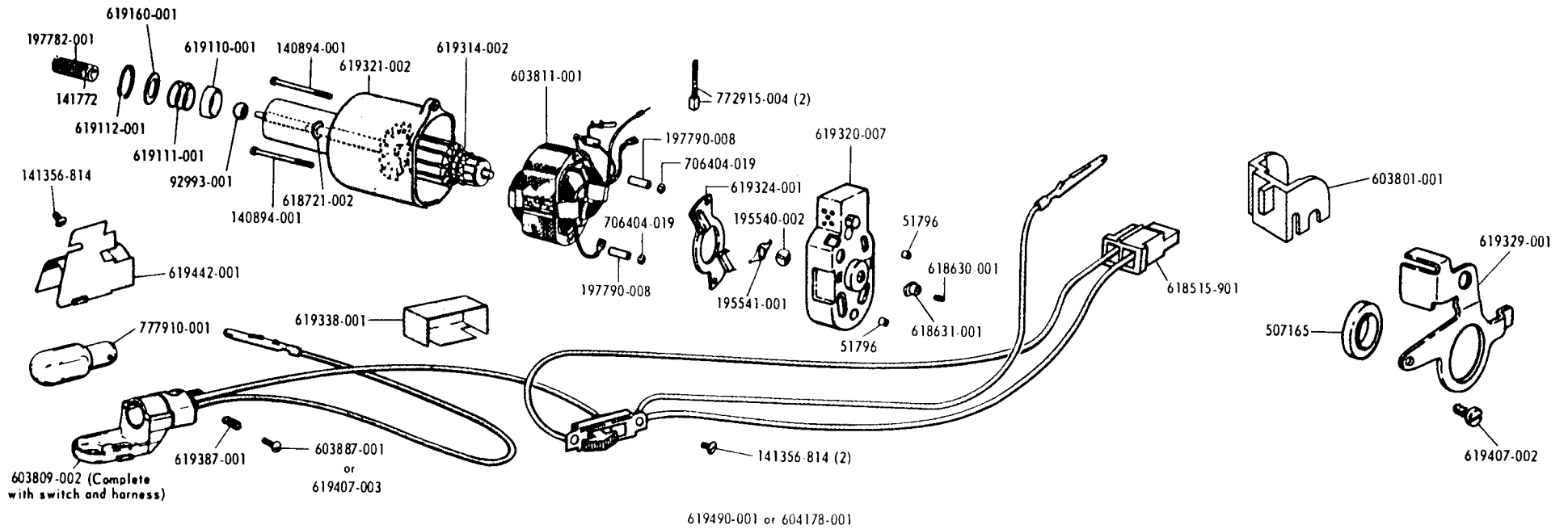
103473	Needle Pack (plastic) with Needles Cat. 2028 and Two each Cat. 2020 and Cat. 2045
161172	Seam and Blindstitch Hem Guide complete
161917-001	Presser Foot Plate (snap-on) for sewing buttonholes
161919	Presser Foot Plate (snap-on) for Straight Stitching
161921	Presser Foot Plate (snap-on, slotted) for Overedge Stretch Stitch
161960	Glassine Envelope with two Needle Threader Hooks and Instruction Form 21632
163131	Bobbin (6)
163455	Chainstitch Attachment Thread Guide
171138	Feed Cover Plate, for darning and embroidery
171150-656	Spool Pin, for twin-needle stitching
171230-656	Attachment Box complete
171317	Disc No. 1, for Arrowhead Stitch
171318	Disc No. 2, for Scallop Stitch
171319	Disc No. 3, for Diamond Stitch
171320	Disc No. 4, for Solid Scallop Stitch
171321	Disc No. 5, for Banner Stitch
171326	Disc No. 11, for Ribbon Stitch
171327	Disc No. 12, for Domino Stitch
171329	Disc No. 19, for Block Stitch
171412	Chainstitch Attachment Loop Retainer Disc
171463-451	Special Purpose Presser Foot (snap-on)
171467	Chainstitch Attachment Throat Plate
171468	Throat Plate, for Straight Stitching
171480	Presser Foot Plate (snap-on) for Cording and Slide Fasteners
172692	Disc (double) No. 52, for Duck Stitch
172693	Disc (double) No. 53, for Paris Point Stitch
172694	Disc (double) No. 54, for Turkish Hemstitch
172695	Disc (double) No. 55, for Overedge Stitch
172696	Disc (double) No. 56, for Star Stitch
172697	Disc (double) No. 57, for Leaf Stitch
172698	Disc (double) No. 58, for Sunburst Stitch
172837	Disc (double) No. 59, for Overedge Stretch Stitch
381066	Presser Foot, for button sewing
501750	Lint Brush



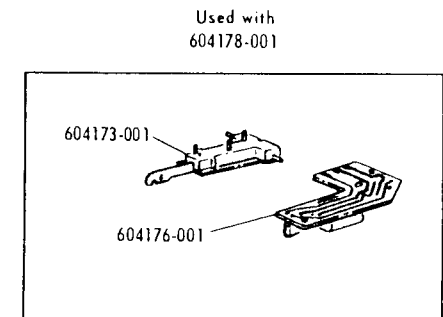
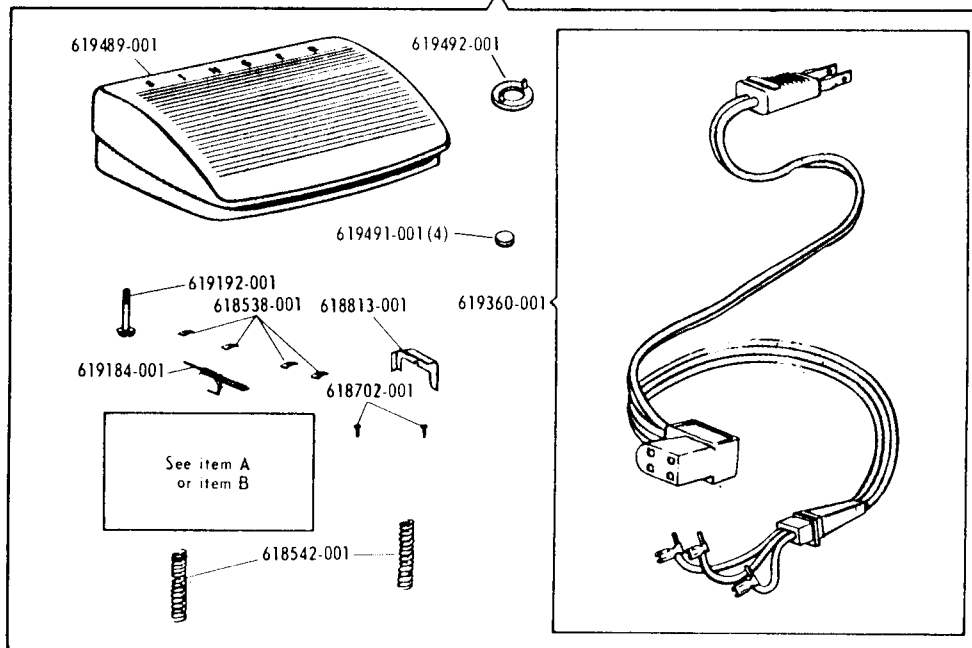


# ELECTRICAL PARTS MACHINE 750-13 (REVISED)

603807-001 PA 31-8 Less Pinion  
603807-002 PA 31-8 With Pinion



ITEM A



ITEM B