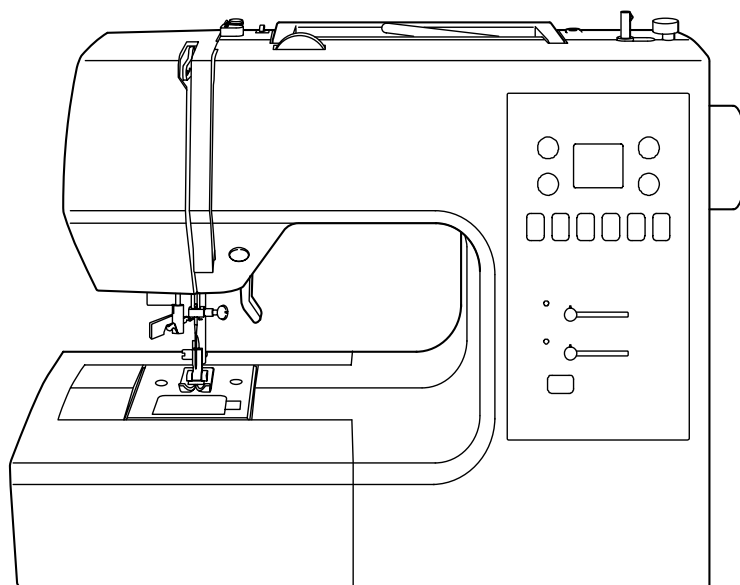




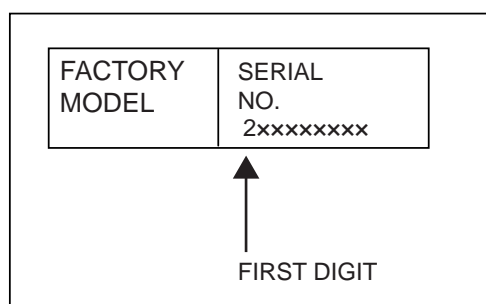
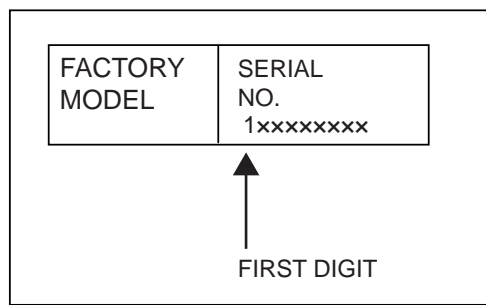
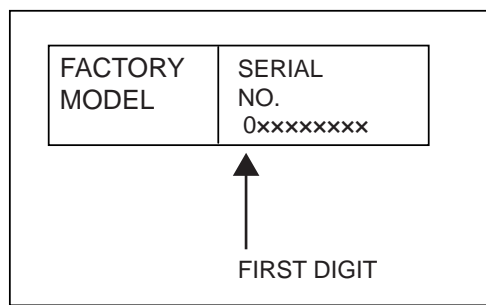
**SINGER®**

7444

7446



Liste de pièces  
Lista de Piezas  
Parts List



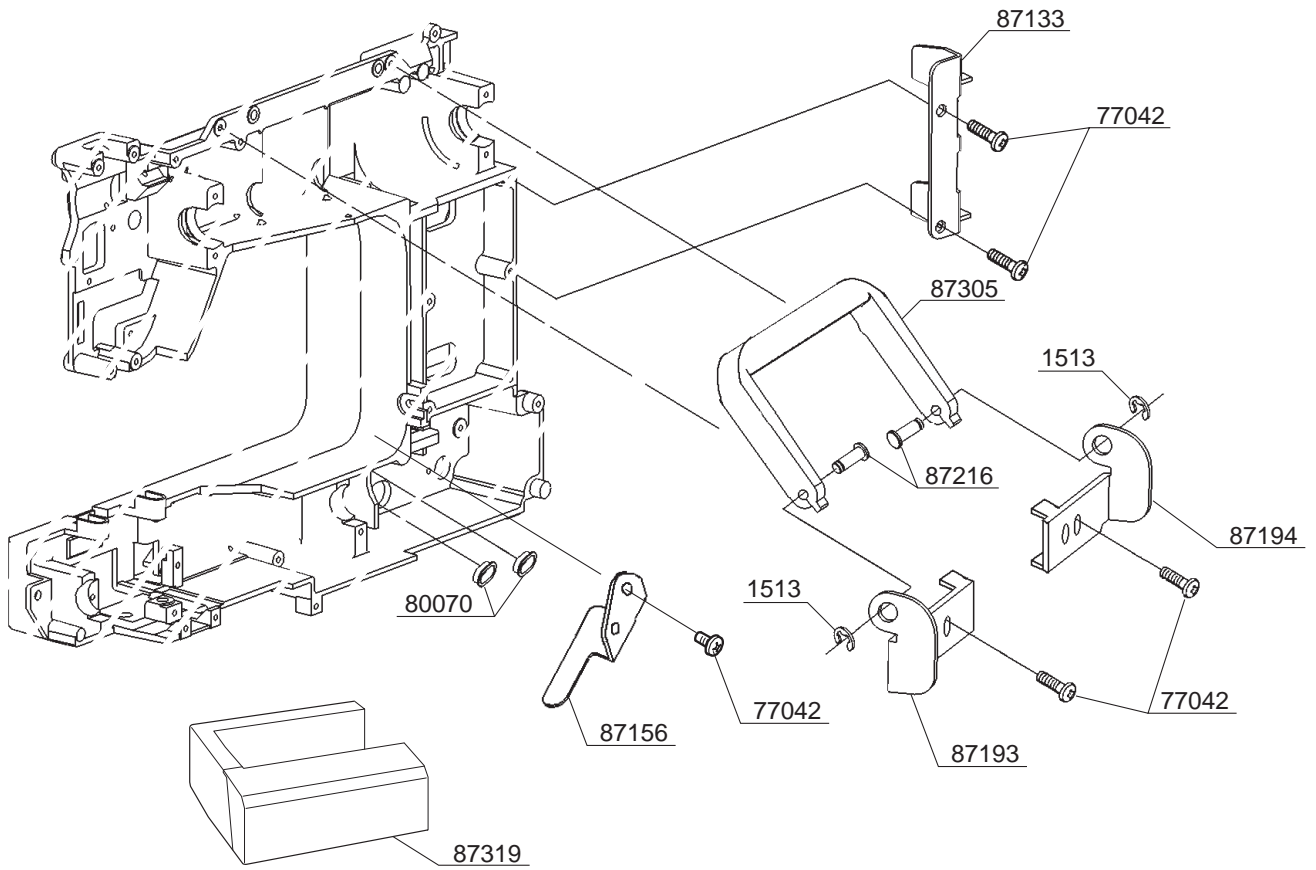
**IMPORTANT:**

WHEN ORDERING THE PARTS ALWAYS CHECK THE SERIAL NUMBER OF THE MACHINE.

FIRST DIGIT OF THE SERIAL NUMBER MUST MATCH WITH THE LAST DIGIT OF THE FACTORY MODEL BELOW.

FACTORY MODEL 444x0 , 444x1 , 444x2  
446x0 , 446x1 , 446x2

A

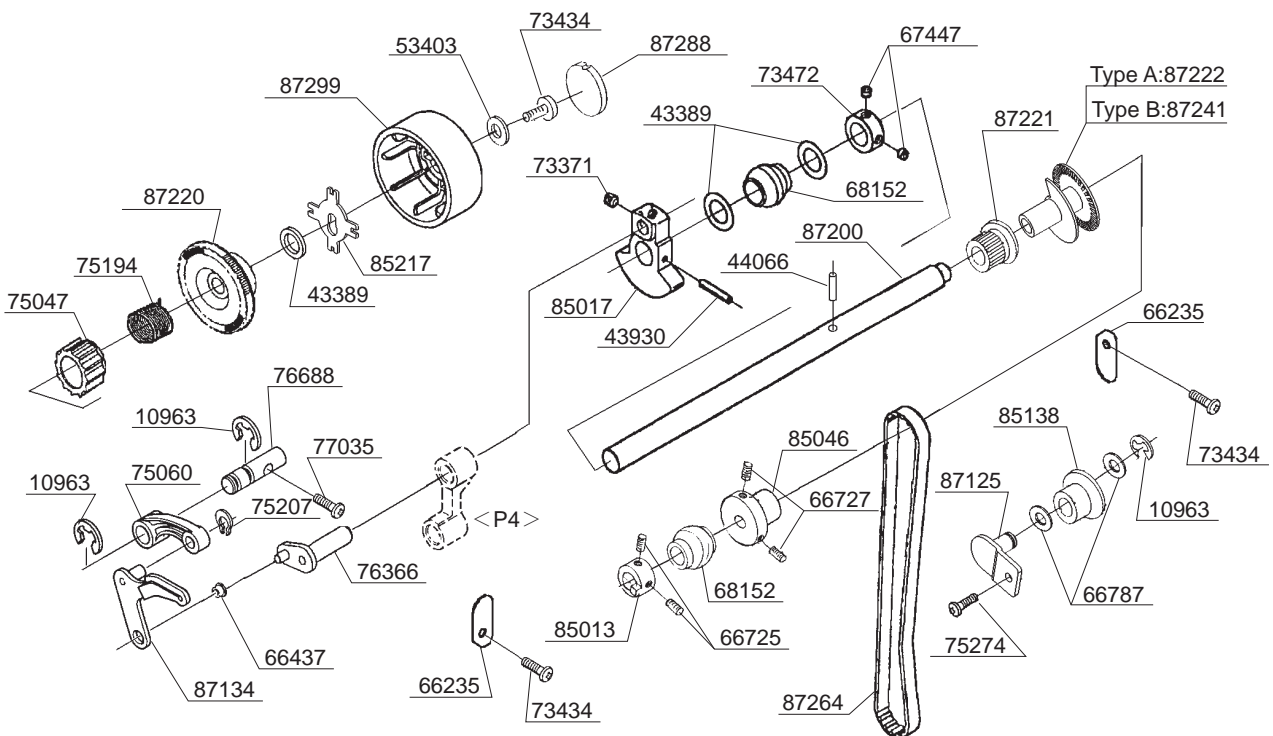


B

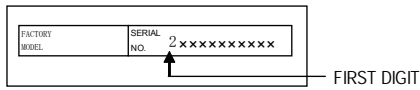
FACTORY MODEL	SERIAL NO.
	0xxxxxxx

FIRST DIGIT 0 OR 1

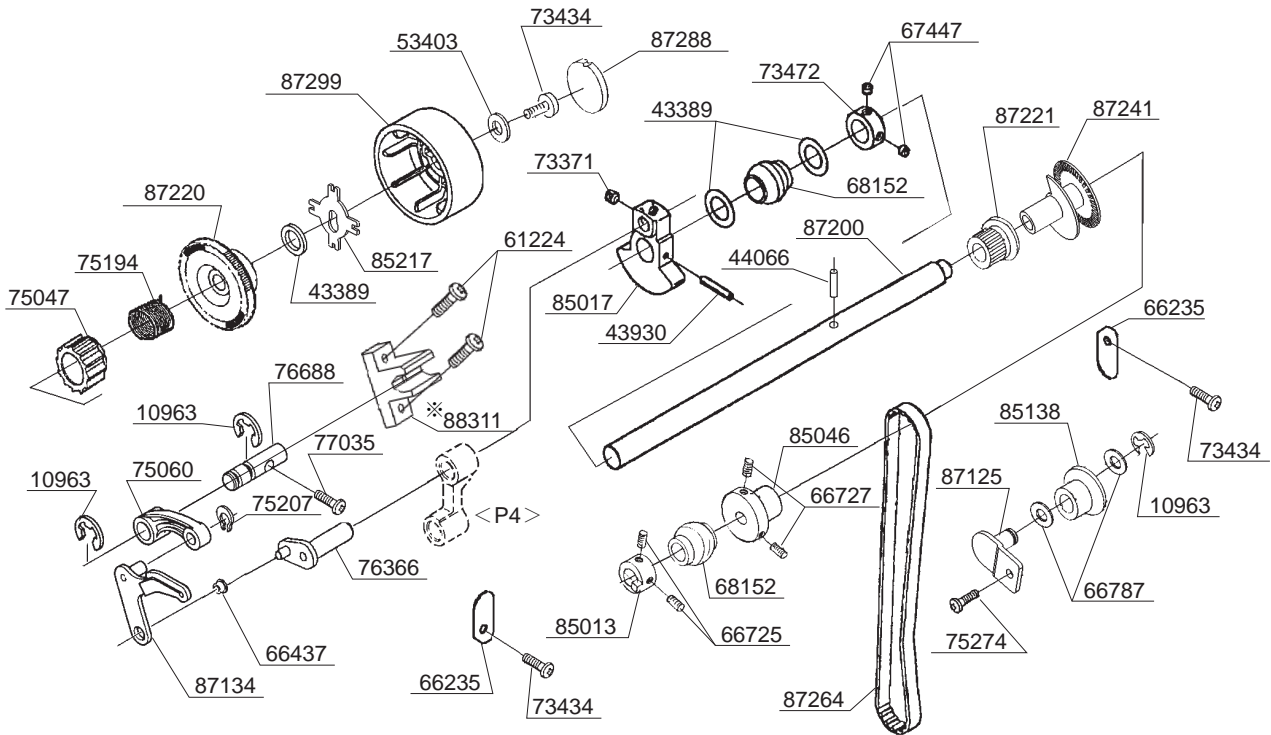
NOTE : PARTS NUMBER WITH ✕ MARKS ARE FOR MACHINES SERIAL NUMBERS WITH "0"OR"1" AT FIRST DIGIT.



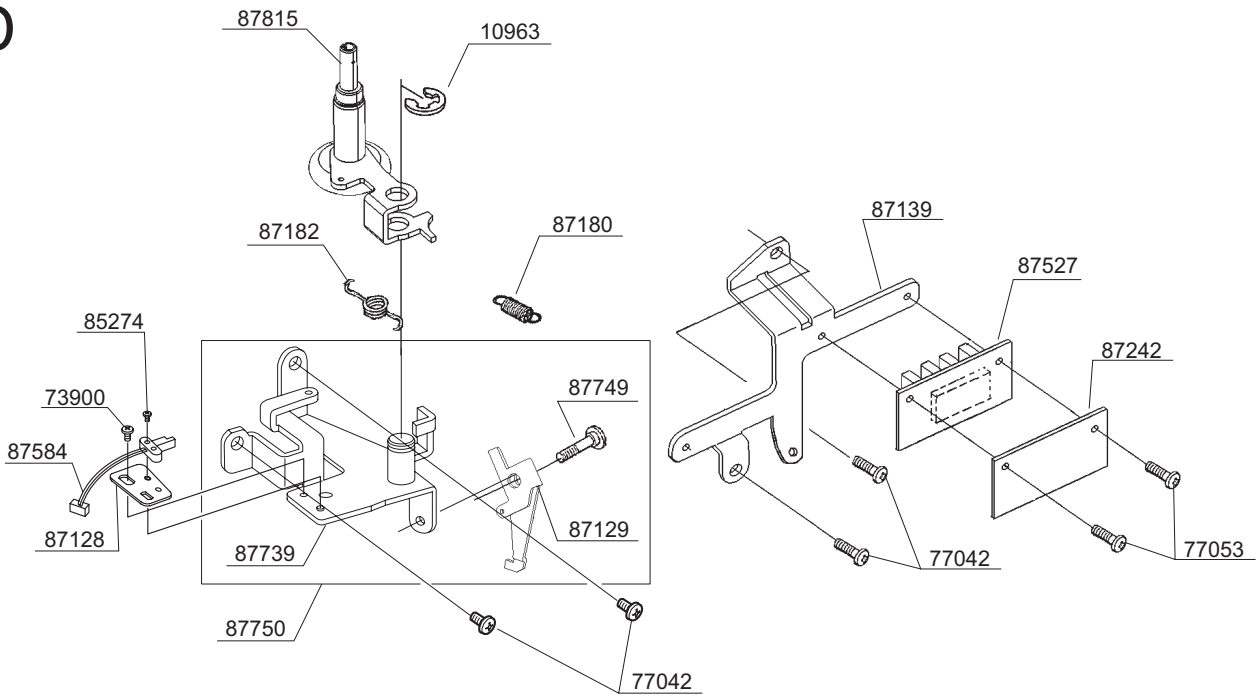
C



NOTE : PARTS NUMBER WITH \* MARKS ARE FOR MACHINES SERIAL NUMBERS WITH "2" AT FIRST DIGIT.

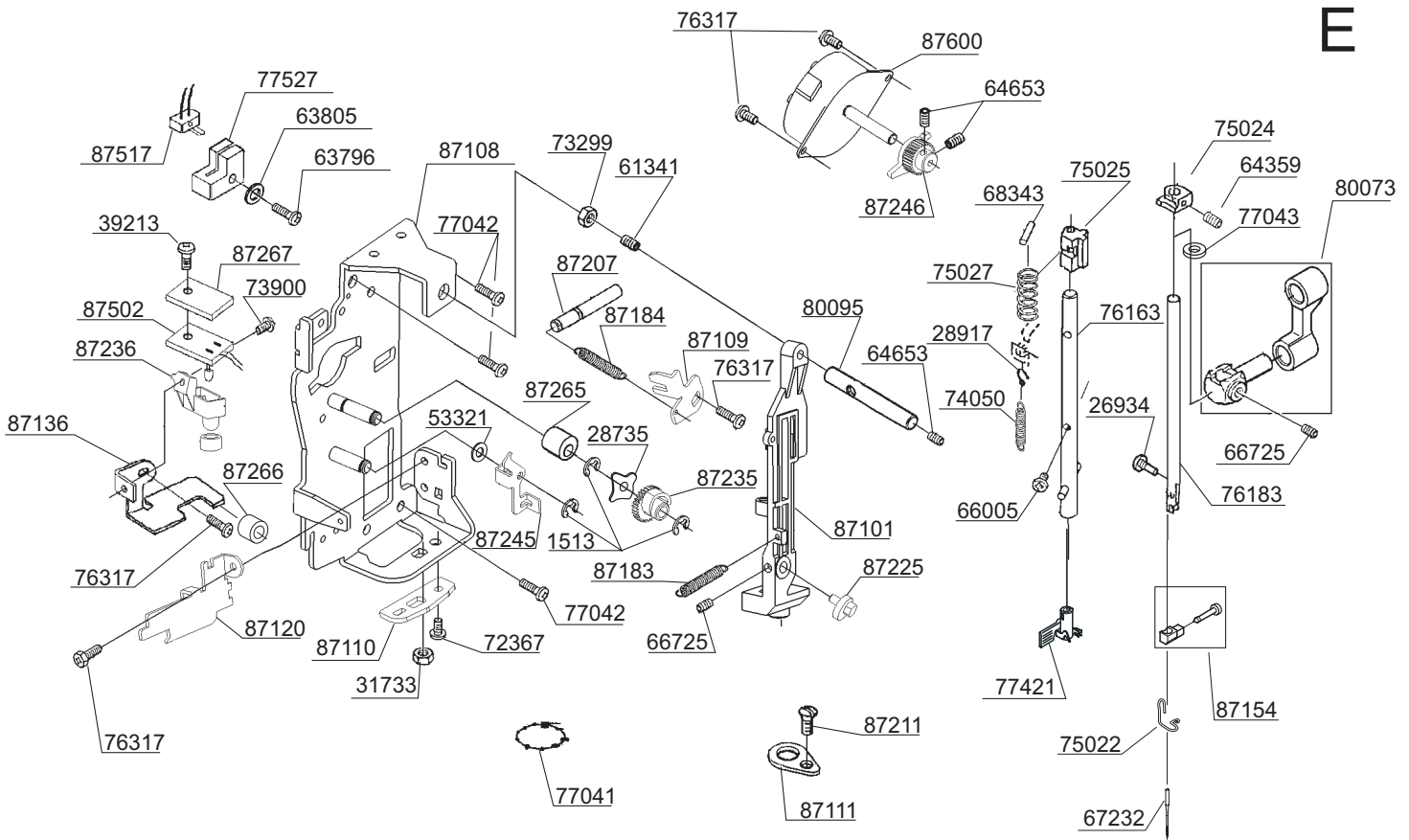


D

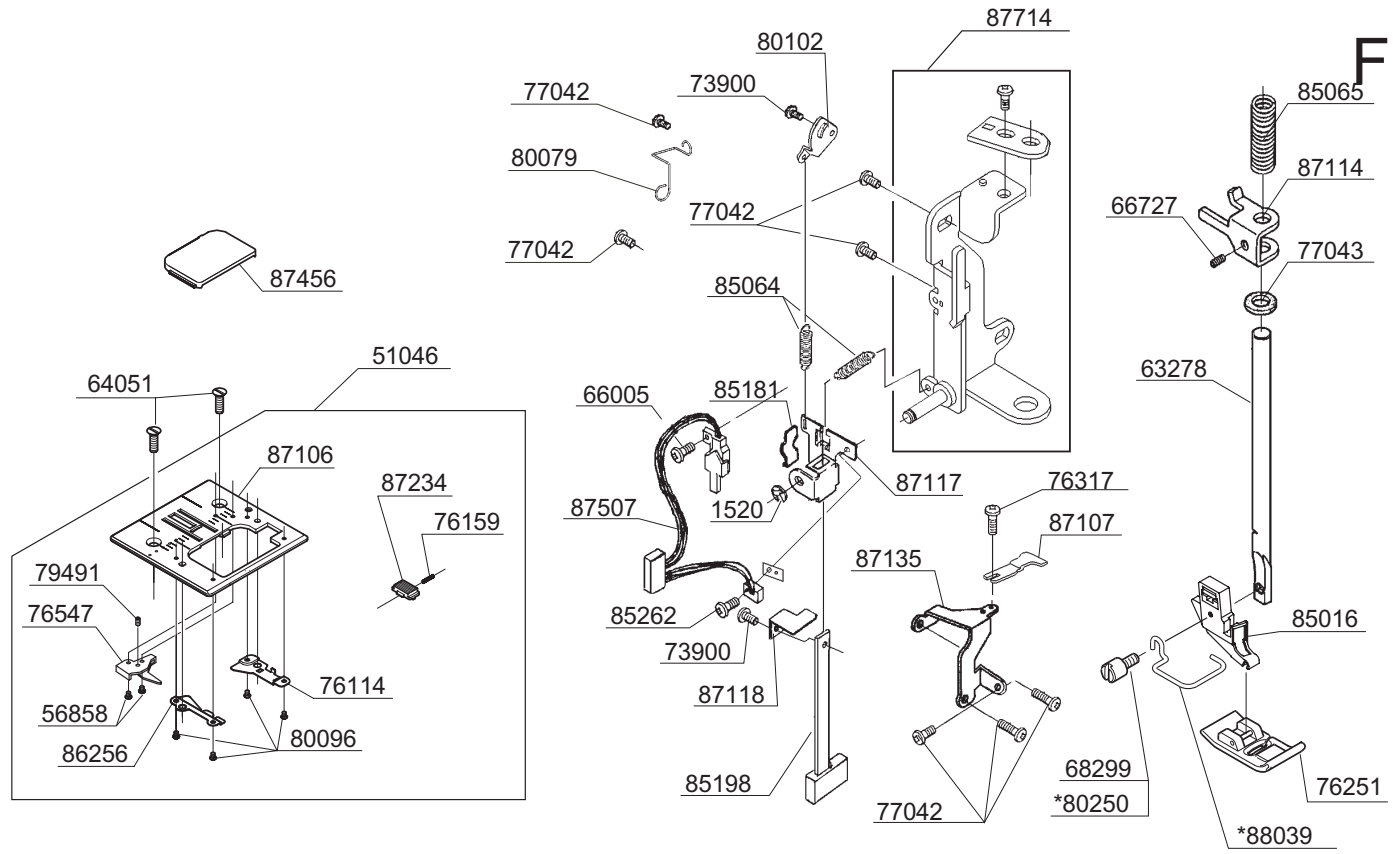


When you order BOBBIN WINDER UNIT, check first if it is made of metal or plastic.  
 1. If it is of metal:  
 order both bobbin winder unit #87815 and bobbin winder bracket unit #87750.  
 2. If it is of plastic:  
 order bobbin winder unit #87815 only.

E

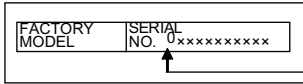


F



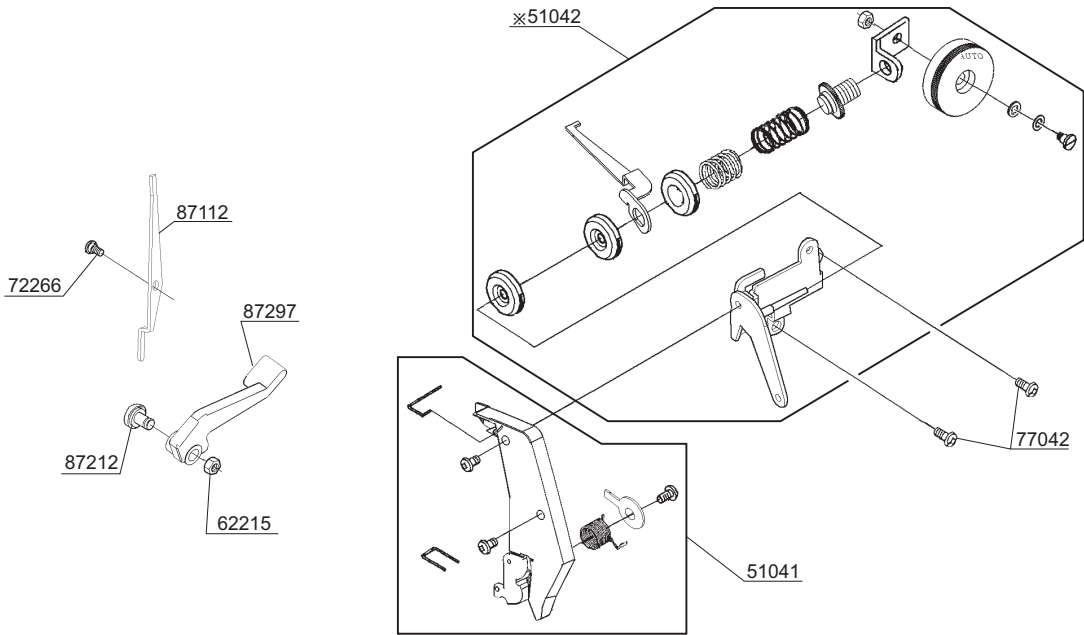
✖88039 FINGER GUARD ONLY)  
 ✖80250 #7 SCREWS (FOR ONLY)

# G

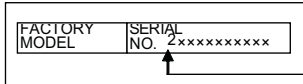


FIRST DIGIT  
0 OR 1

NOTE : PARTS NUMBER WITH ※ MARKS ARE FOR MACHINES SERIAL NUMBERS WITH "0" OR "1" AT FIRST DIGIT.

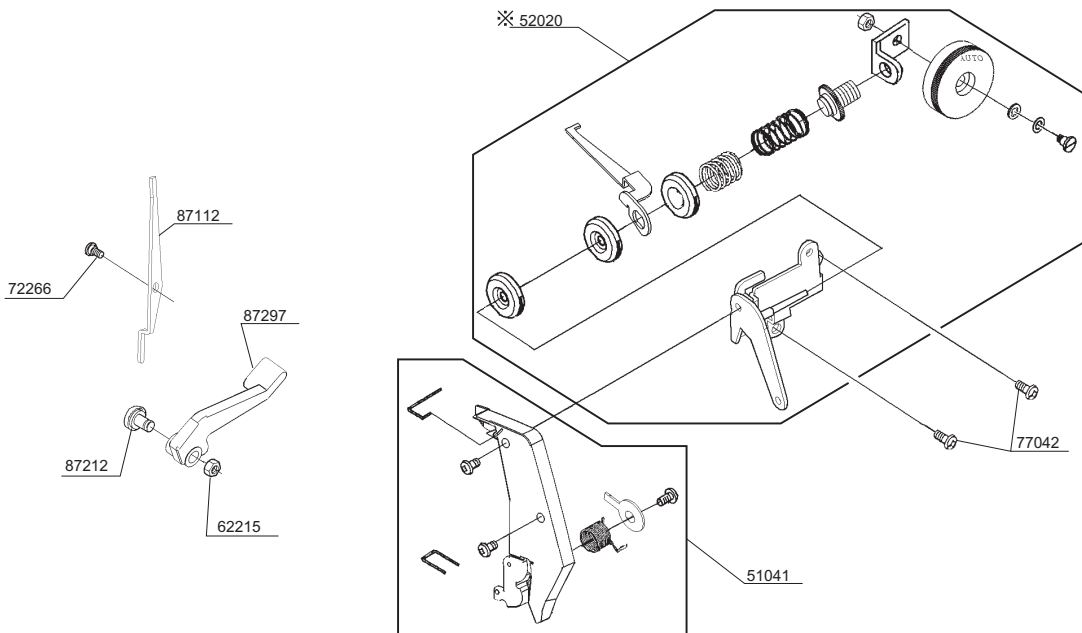


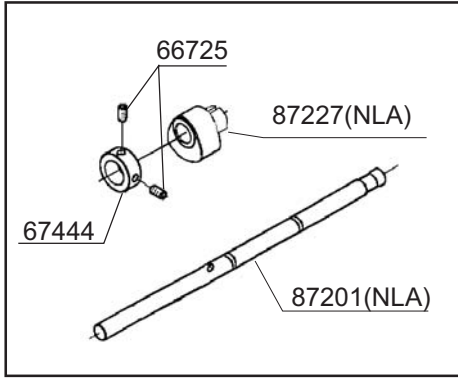
# H



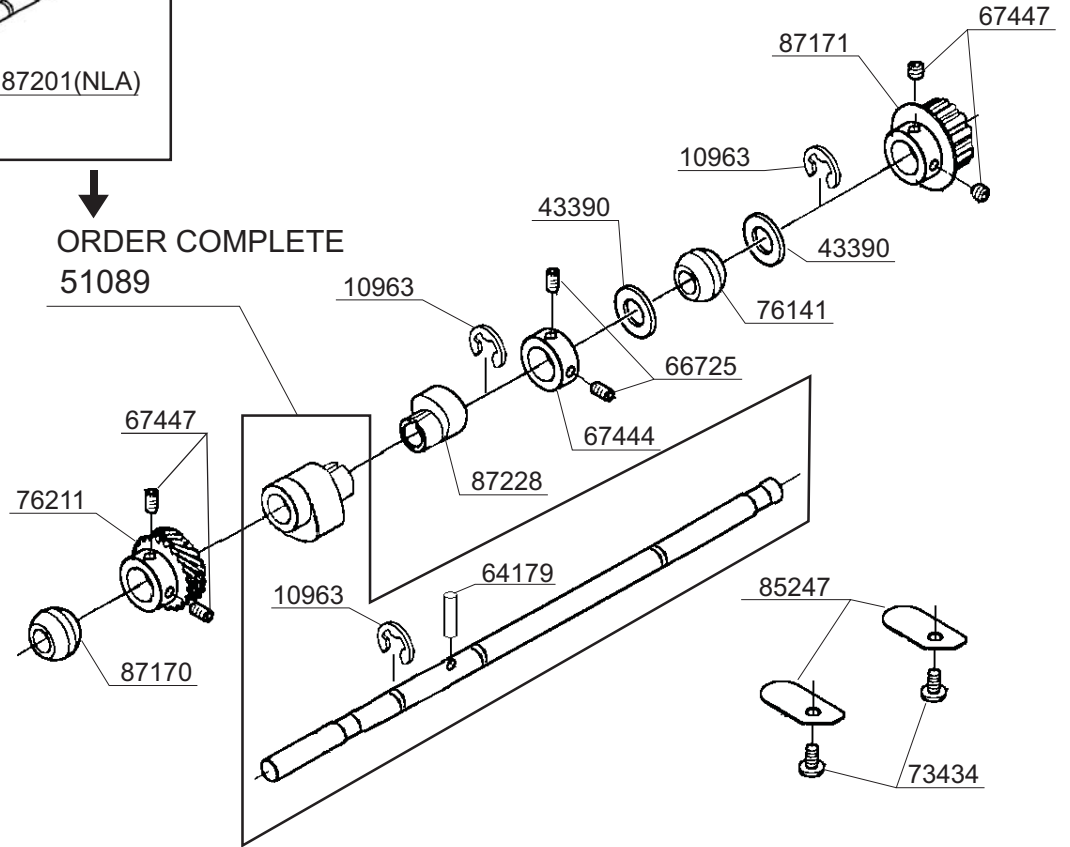
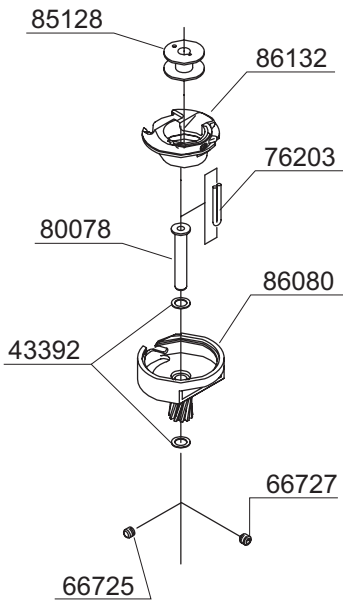
FIRST DIGIT

NOTE : PARTS NUMBER WITH ※ MARKS ARE FOR MACHINES SERIAL NUMBERS WITH "2" AT FIRST DIGIT.

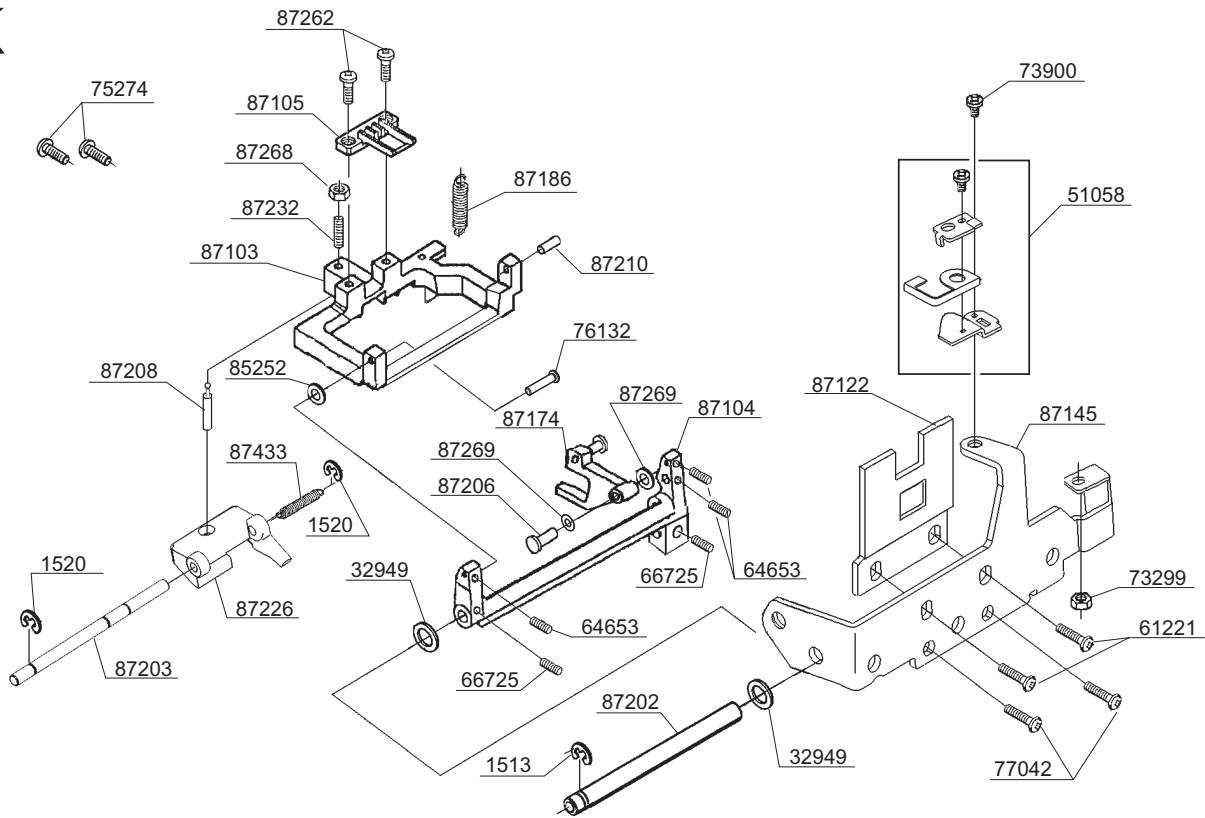




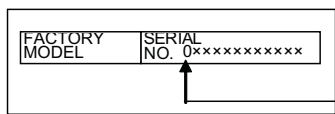
ORDER COMPLETE  
51089



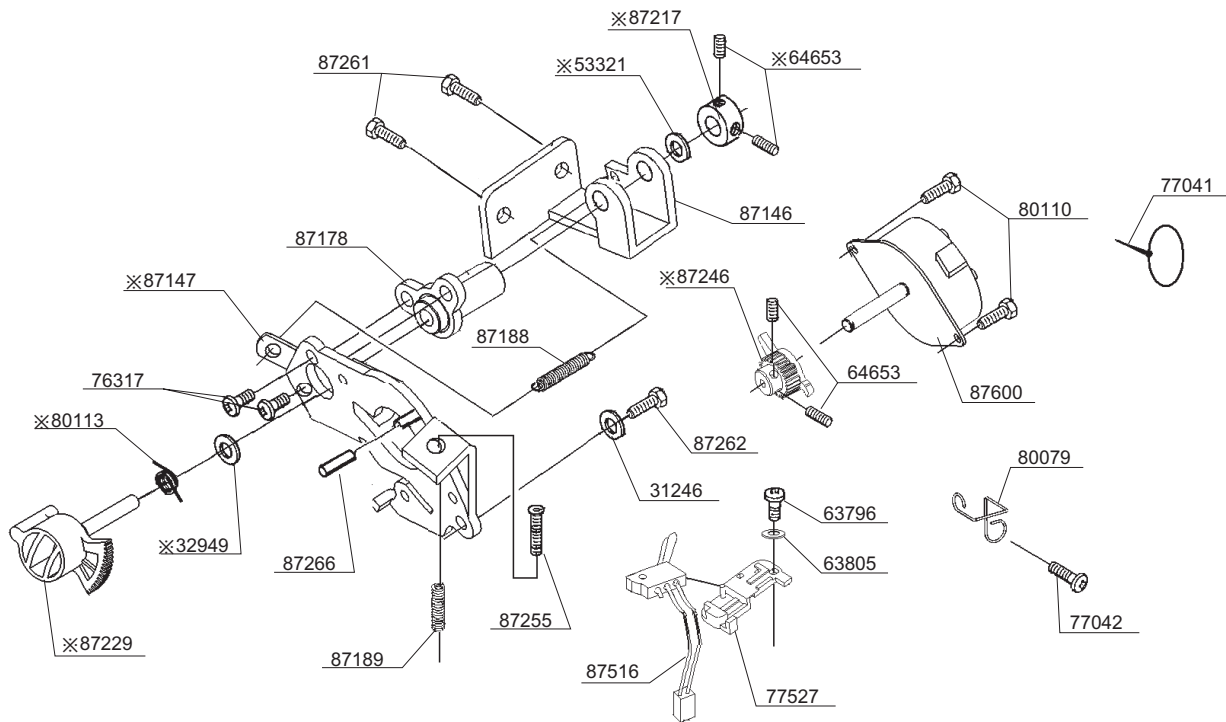
K



L



NOTE : PARTS NUMBER WITH ※ MARKS ARE FOR MACHINES SERIAL NUMBERS WITH "0" AT FIRST DIGIT.

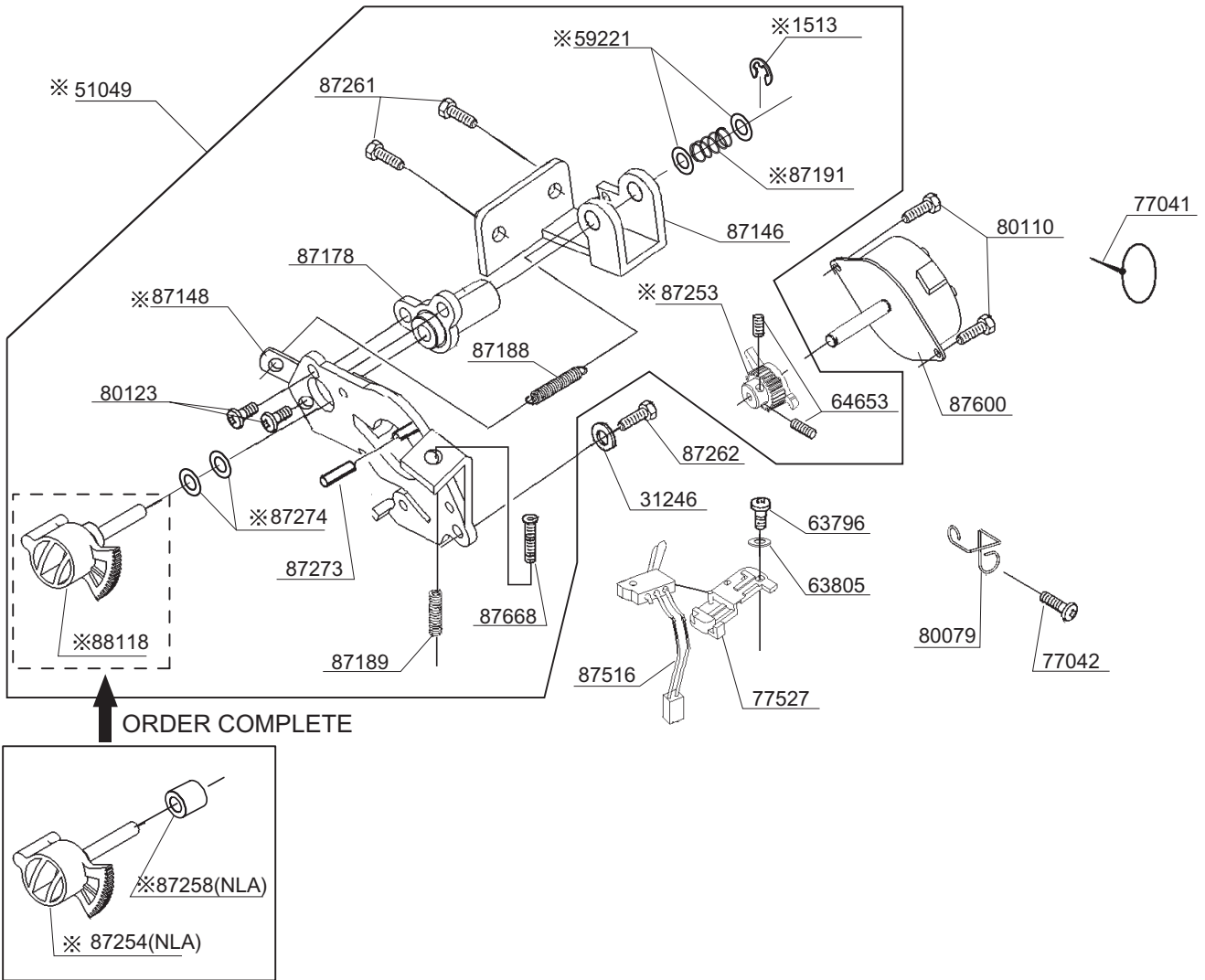




FACTORY MODEL	SERIAL NO. 1xxxxxxxxx
---------------	-----------------------

FIRST DIGIT  
1 OR 2

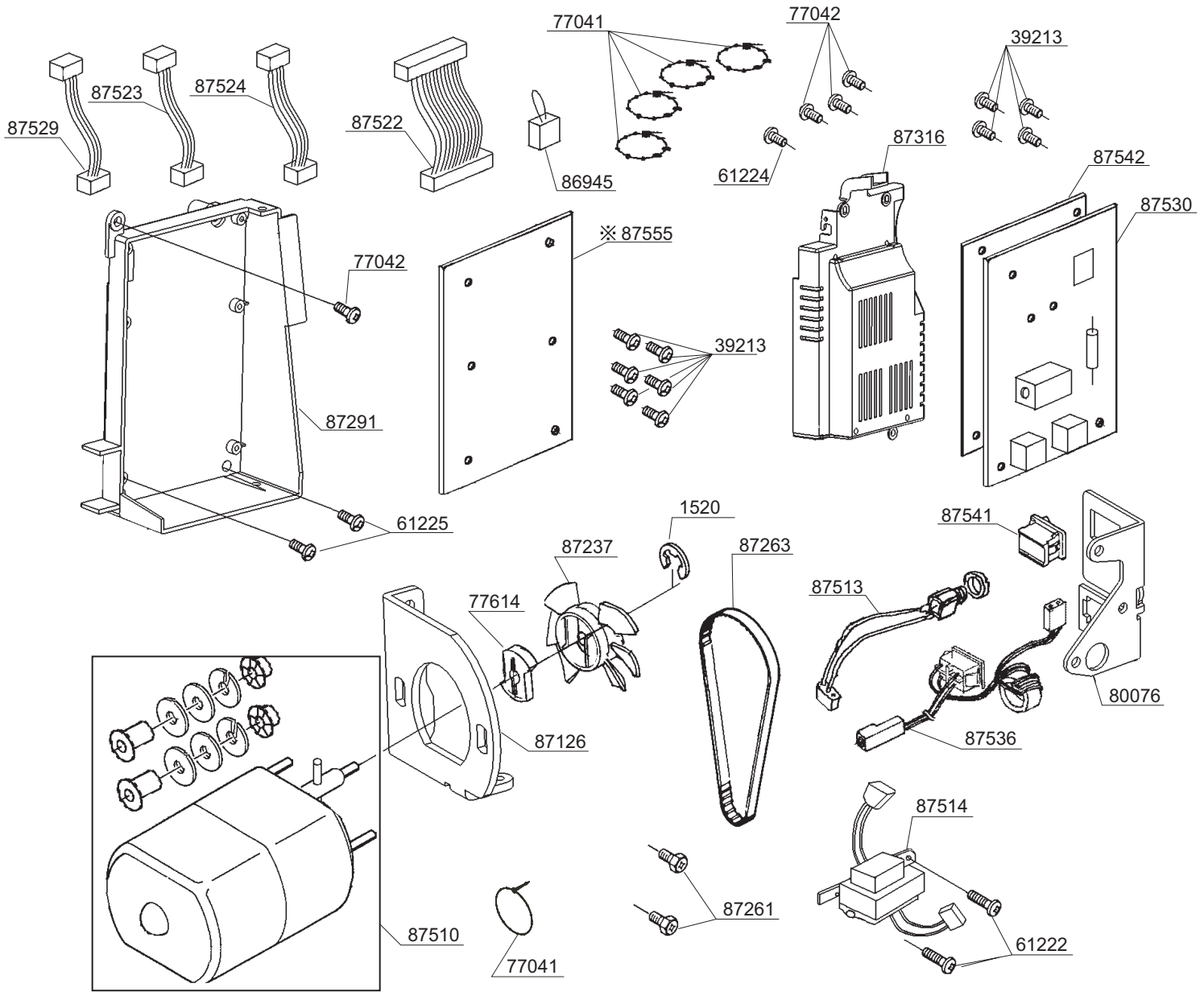
NOTE : PARTS NUMBER WITH \* MARKS ARE FOR MACHINES SERIAL NUMBERS WITH "1" OR "2" AT FIRST DIGIT.



120V	FACTORY MODEL	SERIAL NO. 0xxxxxxxxx
------	---------------	-----------------------

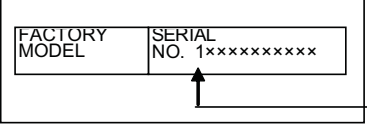
FIRST DIGIT

NOTE : PARTS NUMBER WITH ※ MARKS ARE FOR MACHINES SERIAL NUMBERS WITH "0" AT FIRST DIGIT.



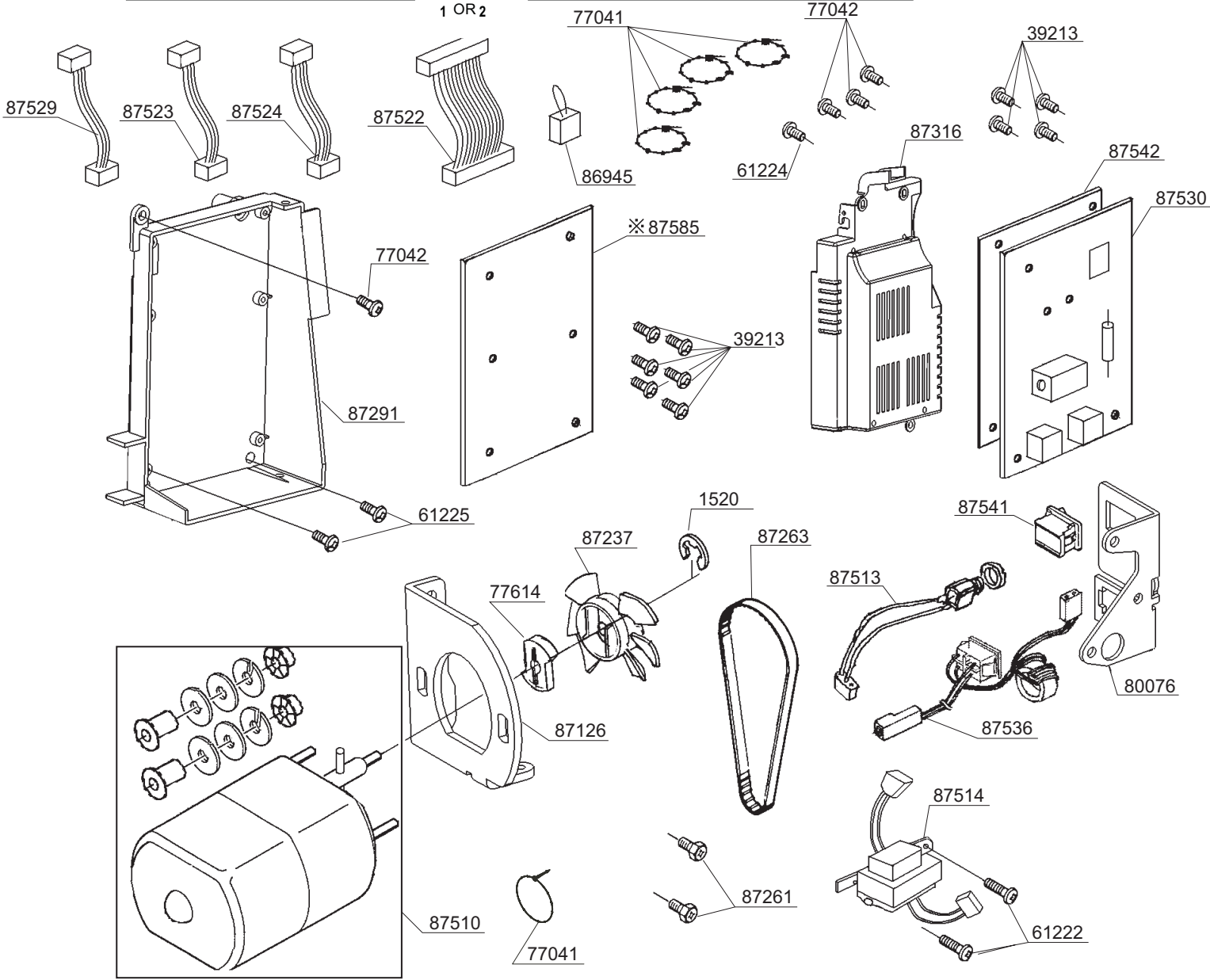
O

120V



FIRST DIGIT  
1 OR 2

NOTE : PARTS NUMBER WITH \* MARKS ARE  
FOR MACHINES SERIAL NUMBERS WITH  
"1"OR "2"  
AT FIRST DIGIT.

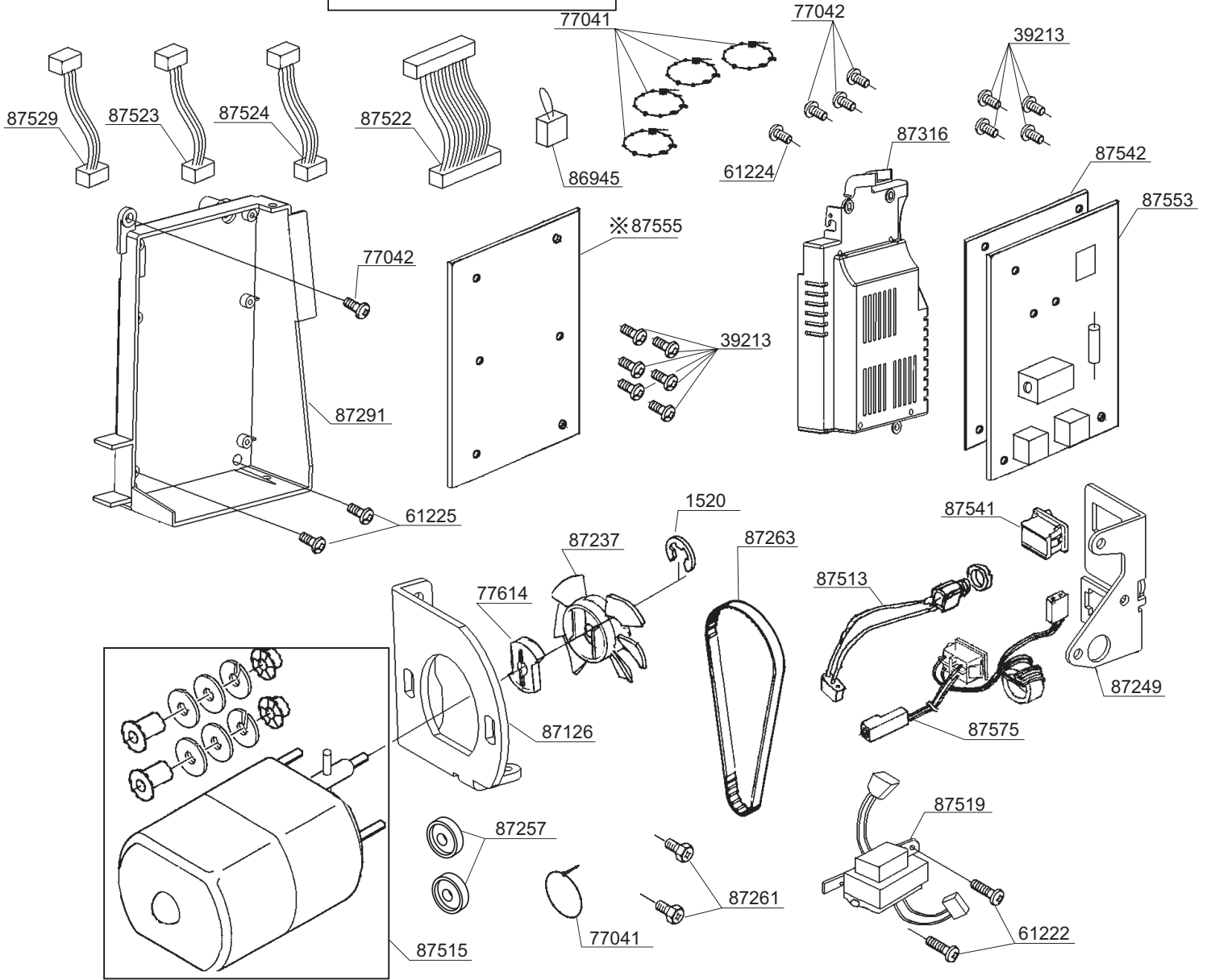


230V

FACTORY MODEL	SERIAL NO. 0xxxxxxxxx
---------------	-----------------------

FIRST DIGIT

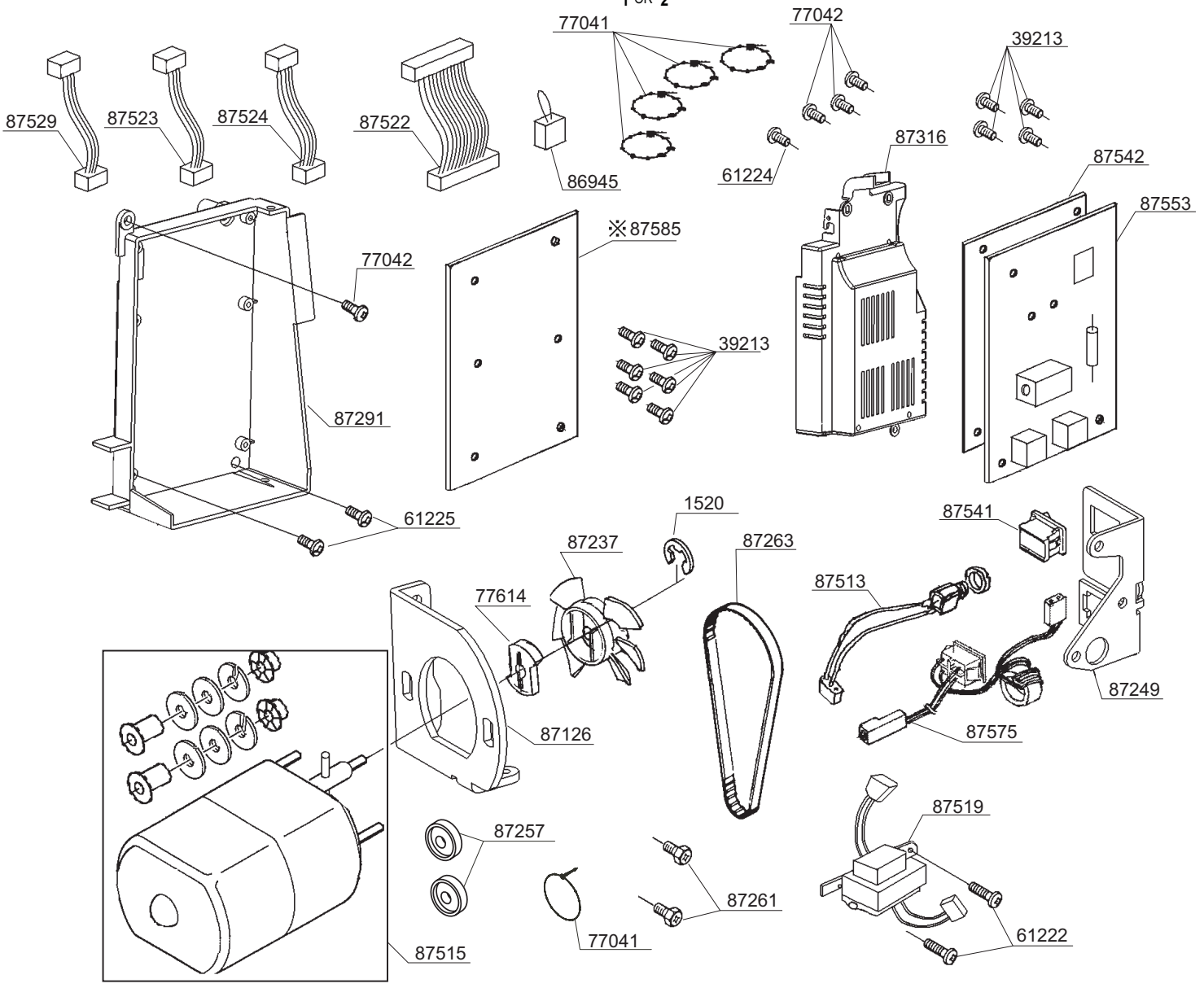
NOTE : PARTS NUMBER WITH \* MARKS ARE FOR MACHINES SERIAL NUMBERS WITH "0" AT FIRST DIGIT.

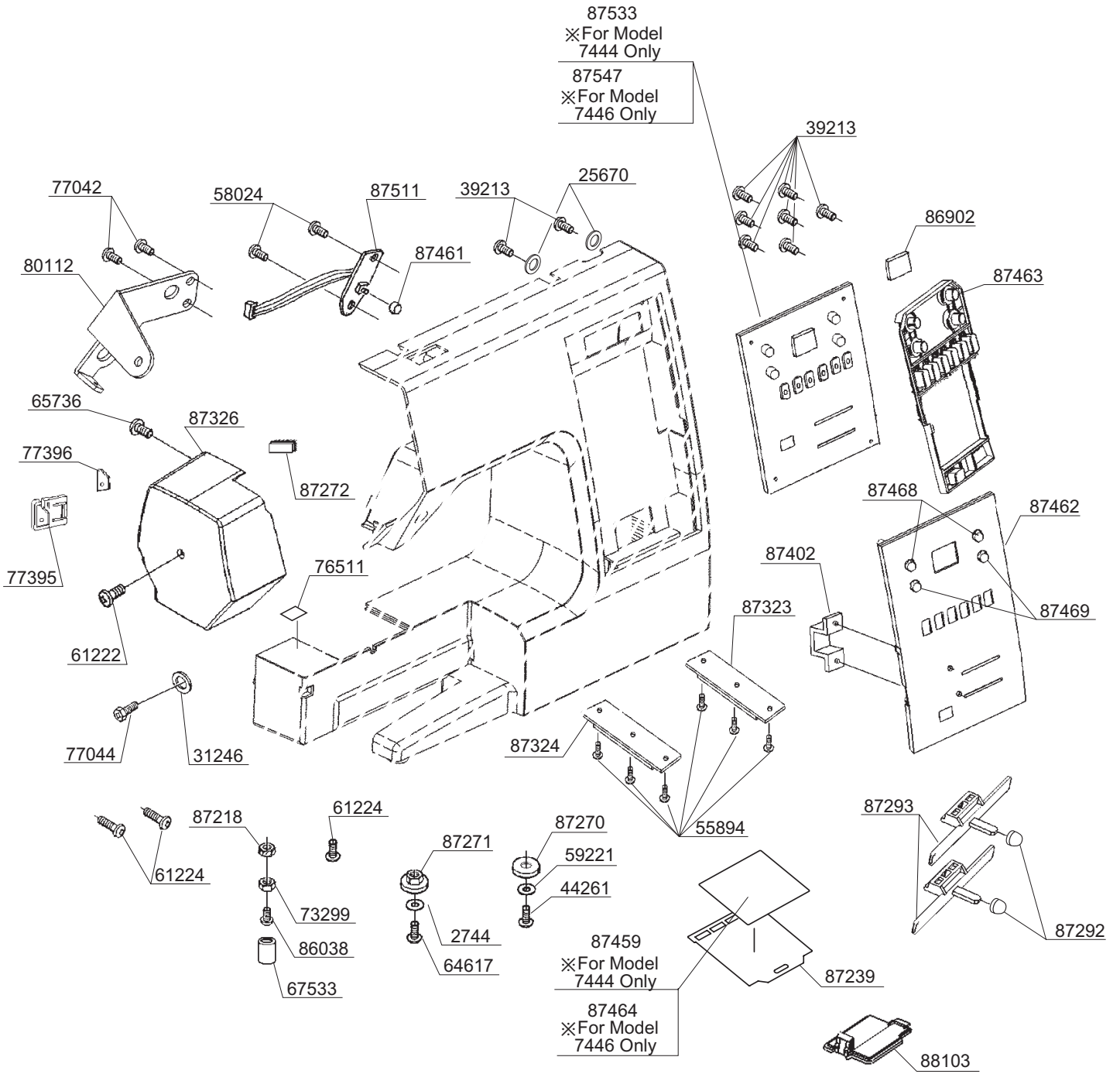


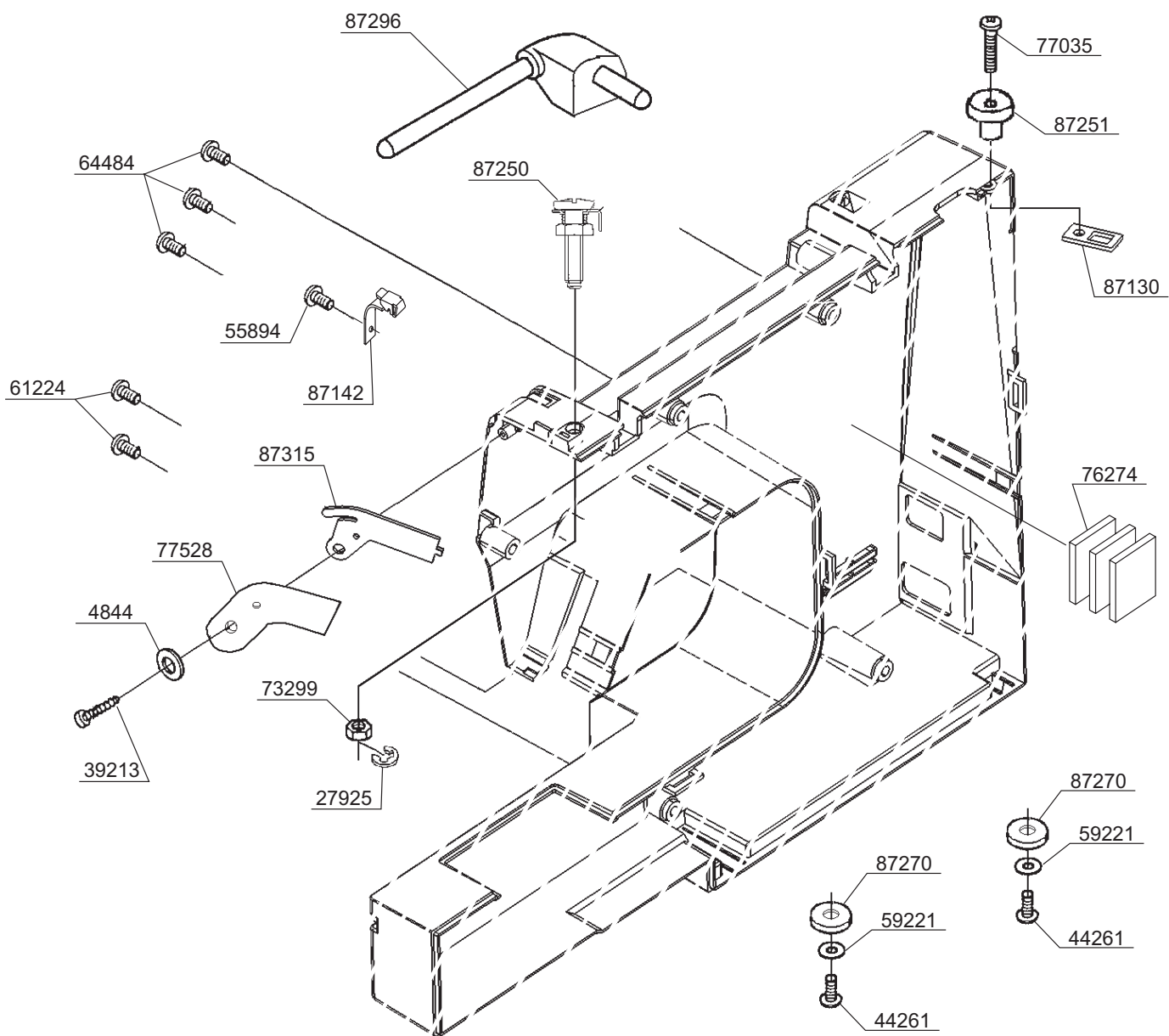
230V

FACTORY MODEL	SERIAL NO. 1xxxxxxxxx
---------------	-----------------------

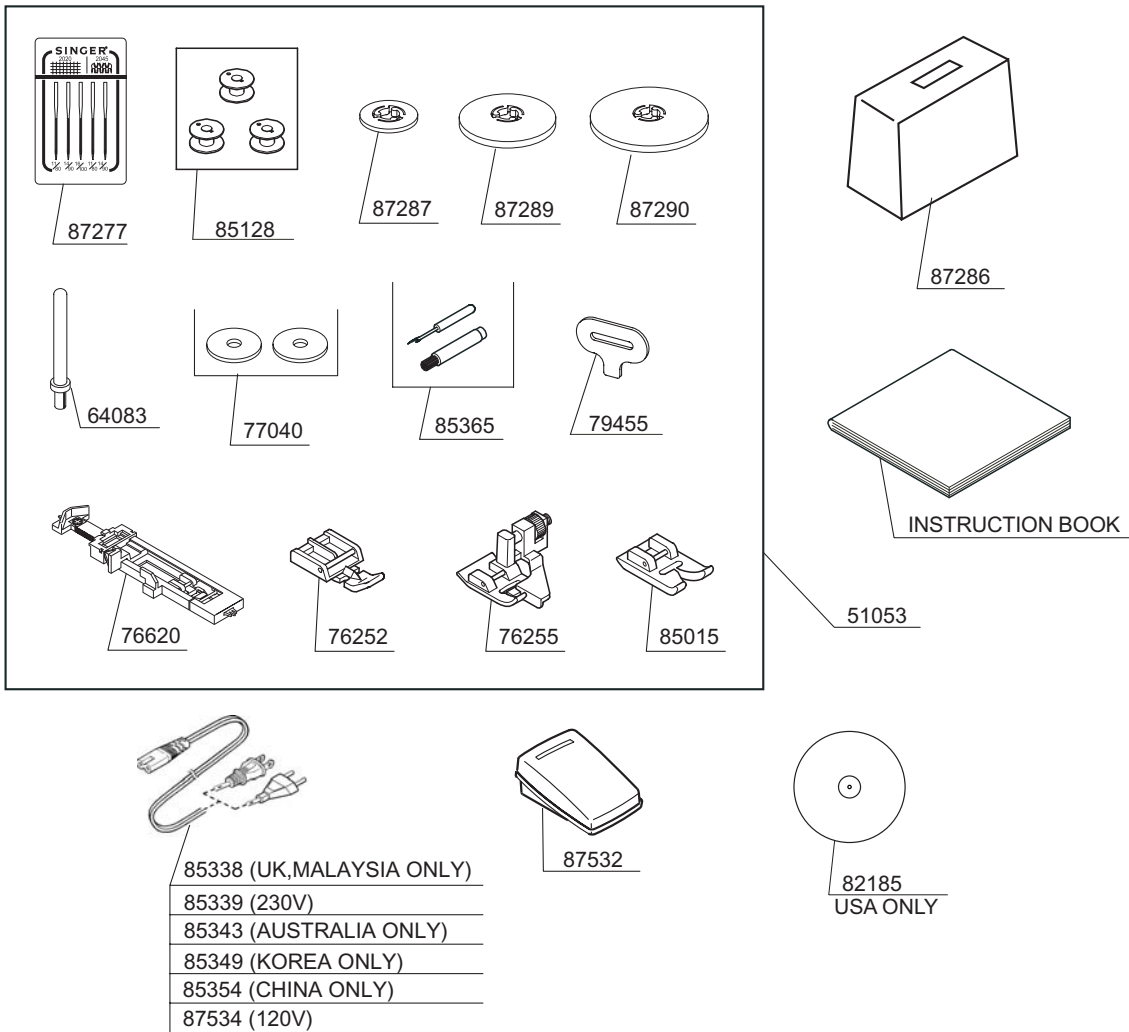
NOTE : PARTS NUMBER WITH \* MARKS ARE FOR MACHINES SERIAL NUMBERS WITH "1" OR "2" AT FIRST DIGIT.







# U



PART NO.	DESCRIPTION
51053	ACCESSORY SET
64083	SPOOL PIN
76252	ZIPPER FOOT
76255	BLIND STITCH FOOT
76620	BUTTONHOLE FOOT
77040	SPOOL PIN DISC
77250	INSTRUCTION BOOK (Eng/Fre/Spa) FOR MODEL7444 ONLY(Precision)
77251	INSTRUCTION BOOK (Eng/Fre/Spa) FOR MODEL7446 ONLY
79455	LARGE SCREW DRIVER
82020	INSTRUCTION BOOK (Russ)
82079	INSTRUCTION BOOK (Eng/Fre/Spa) FOR MODEL7444 ONLY
85015	SATIN FOOT
85128	BOBBIN
85338	POWER CORD (UK, MALAYSIA ONLY)
85339	POWER CORD (230V)
85343	POWER CORD (AUSTRALIA ONLY)
85349	POWER CORD (KOREA ONLY)
85354	POWER CORD (CHINA ONLY)
85365	BUTTONHOLE OPENER / BRUSH
87277	NEEDLE SET
87286	VINYL COVER
87287	SPOOL PIN CAP (MINI)
87289	SPOOL PIN CAP (SMALL)
87290	SPOOL PIN CAP (LARGE)
87532	FOOT CONTROL (PIN-JACK TYPE)
87534	POWER CORD (120V)
82185	QUICK START GUIDE DVD (USA ONLY)



PART NO.	DESCRIPTION	PAGE	PART NO.	DESCRIPTION	PAGE
1513	E4 CLIP-ON-WASHER	A,K,M	75025	GUIDE BLOCK	E
1520	E3 CLIP-ON-WASHER	F,K,N,O,P,R	75027	COMPRESSION SPRING	E
2744	WASHER	S	75047	CLUTCH	B,C
4844	WASHER	T	75060	TAKE-UP LEVER CRANK	B,C
10963	E6 CLIP-ON-WASHER	B,C,D,J	75194	TORSION SPRING	B,C
25670	WASHER	S	75207	CS-CLIP	B,C
27925	E2.5 CLIP-ON-WASHER	T	75274	M4 PHILLIPS SCREW	B,C
31246	WASHER	L,M,S	75274	M4 PHILIPS SCREW	K
32949	WASHER	K,L	76114	COVER GUIDE (R)	F
33223	WASHER	B	76132	SHAFT	K
35818	WASHER	L	76141	BALL METAL	J
39213	M3 SCREW	N,O,P,R,S,T	76159	COMPRESSION LEVER	F
43389	THRUST WASHER	B,C	76163	THREADER SHAFT SET	E
43390	THRUST WASHER	J	76183	NEEDLE BAR	E
43392	THRUST WASHER	J	76203	OILING CORD	J
43930	SPRING PIN	B,C	76211	BEVEL GEAR	J
44066	SPRING PIN	B,C	76251	ZIGZAG PRESSER FOOT	F
44261	M4 SCREW	S,T	76252	ZIPPER FOOT	U
51020	TENSION ASSY	H	76255	BLIND STITCH FOOT	U
51041	THREAD GUIDE PLATE ASSY	G,H	76274	SPACER	T
51042	TENSION ASSY	G	76317	M3 PHILLIPS SCREW	E,F,L
51046	NEEDLE PLATE SET	F	76366	CRANK SHAFT	B,C
51049	FEED REGULATOR UNIT	M	76511	SEAL	S
51053	ACCESSORY SET	U	76547	THREAD CONTROL PLATE	F
51058	RETAINER SET	K	76620	BUTTONHOLE FOOT	U
51089	LOWER SHAFT WITH LIFTING	CAM SET	J 76688	SHAFT	B,C
53321	THRUST WASHER	L	77035	M4 PHILLIPS SCREW	B,C,T
53403	WASHER	B,C	77040	SPOOL PIN DISC	U
55894	M3 SCREW	S,T	77041	UNITY FASTENER	E,L,M,N,O,P,R
56858	M2 PHILLIPS SCREW	F	77042	M4 PHILLIPS SCREW	A,D,E,F,G,H,K,L,M,N,O,P,R,S
58024	TAPPING SCREW	S	77043	FELT	F
59221	WASHER	M,S,T	77044	M3 PHILLIPS SCREW	S
61221	M4 PHILLIPS SCREW	K,N,O,P,R,S	77053	M3 PHILLIPS SCREW	D
61224	M4 PHILIPS SCREW	C,L,N,O,P,R,S,T	77250	INSTRUCTION BOOK (Eng/Fre/Spa) FOR MODEL7444 ONLY(Precision)	U
61225	M4 PHILIPS SCREW	N,O,P,R		INSTRUCTION BOOK (Eng/Fre/Spa) FOR MODEL7446 ONLY	U
62215	M4 NUT	G,H	77251	BLADE FIXTURE	S
63278	PRESSER BAR	F	77395	BLADE	S
63796	M3 SCREW	L,M	77421	THREADER ASSEMBLY	E
63805	WASHER	K,L,M	77527	SENSOR COVER	E,L,M
64051	M4 SCREW	F	77528	SPRING PLATE	T
64083	SPOOL PIN	U	77614	GEAR CLUTCH	N,O,P,R
64179	SPRING PIN	J	79455	LARGE SCREW DRIVER	U
64484	TAPPING SCREW	T	79491	SCREW	F
64617	TAPPING SCREW	S	80070	CORD GUIDE	A
64653	M3 SCREW	K,L,M	80073	NEEDLE BAR CRANK SET	E
65736	M4 PHILLIPS SCREW	S	80076	SWITCH BRACKET	N,O
66005	M2 PHILLIPS SCREW	F	80078	SHUTTLE RACE SHAFT	J
66235	SECURING PLATE	B,C	80079	CORD GUIDE	F,L,M
66437	BUSH	B,C	80095	STRAIGHT PIN	E
66725	M4 SCREW	B,C,J,K	80096	M2 SCREW	F
66727	M4 SCREW	B,C,F,J	80102	CONTROL PLATE	F
66787	WASHER	B,C	80110	M3 CP SCREW	M
67232	NEEDLE	E	80112	FACE COVER BRACKET	S
67444	COLLAR	J,B,C,J,	80123	M3 SCREW	M
67533	RUBBER CUSHION	S	82020	INSTRUCTION BOOK (Russ)	U
68152	BALL BUSH	B,C	82079	INSTRUCTION BOOK (Eng/Fre/Spa) FOR MODEL7444 ONLY	U
68299	#7 SCREW FOR SHANK	F	82185	QUICK START GUIDE DVD (USA ONLY)	U
68343	PIN	E	85013	POSITIONING COLLAR	B,C
72266	M4 STUD SCREW	G,H	85015	SATIN FOOT	U
72367	M4 CP SCREW	E	85016	PRESSER FOOT HOLDER	F
72858	WASHER	B,K	85017	BALANCER	B,C
73299	M4 TORQUE NUT	E,S,T	85046	COLLAR	B,C
73371	M6 SCREW	B,C	85064	EXTENSION SPRING	F
73434	M4 PHILLIPS SCREW	B,C,J	85065	COMPRESSION SPRING	F
73472	COLLAR	B,C	85128	BOBBIN	J,U
73900	M3 PHILLIPS SCREW	D,E,F,K			
74050	EXTENSION SPRING	E			
75022	THREAD GUIDE	E			
75024	STOPPER	E			

PART NO.	DESCRIPTION	PAGE	PART NO.	DESCRIPTION	PAGE
85138	TENSION ROLLER	B,C	87187	TORSION SPRING	L
85181	LEAF SPRING	F	87188	EXTENSION SPRING	L,M
85198	BH PLATE( A )	F	87189	COMPRESSION SPRING	L,M
85217	RETAINER	B,C	87191	COMPRESSION SPRING	M
85247	SECURING PLATE	J	87193	HANDLE BRACKET ( L )	A
85262	M2 SCREW	F	87194	HANDLE BRACKET ( R )	A
85274	M2 SCREW	D	87200	MAIN SHAFT	B,C
85338	POWER CORD		87201	LOWER STRAIGHT SHAFT (NLA)	
	(UK, MALAYSIA ONLY)	U		→ORDER COMPLETE 51089	J
85339	POWER CORD (230V)	U	87202	SHAFT	K
85343	POWER CORD		87203	SHAFT	K
	(AUSTRALIA ONLY)	U	87206	PIN	K
85349	POWER CORD		87207	STRAIGHT PIN	E
	(KOREA ONLY)	U	87208	BALL HEADED PIN	K
85354	POWER CORD		87210	PIN	K
	(CHINA ONLY)	U	87211	M3 SCREW	E
85365	BUTTONHOLE		87212	M4 SCREW	G
	OPENER / BRUSH	U	87212	M4 SCREW	H
86038	STUD SCREW	S	87216	PIN	A
86080	SHUTTLE RACE	J	87217	COLLAR	L
86132	BOBBIN CASE	J	87218	NUT	S
86256	COVER GUIDE (L)	F	87220	BELT PULLEY	B,C
86902	INDICATOR WINDOW	S	87221	UPPER TIMING BELT GEAR	B,C
86945	JUMPER HARNESS	N,O,P,R	87225	ECCENTRIC CAM	E
87101	NEEDLE BAR SUPPORT	E	87226	VERTICAL FEED BLOCK	K
87103	FEED DOG BASE	K	87227	LIFTING CAM (NLA)→ORDER COMPLETE 51089J	
87104	FEED DOG BASE SUPPORT	K	87228	FEED CAM	J
87105	FEED DOG	K	87229	FEED REGULATOR	L
87106	NEEDLE PLATE	F	87232	M6 STUD SCREW	K
87107	BOBBIN CASE STOPPER	F	87234	RELEASE LEVER	F
87108	NEEDLE BAR SUPPORT		87235	ZIGZAG CAM WITH GEAR	E
	BRACKET	E	87236	LED LIGHT COVER	E
87109	SECURING PLATE	E	87237	MOTOR FAN	N,O,P,R
87110	NEEDLE BAR ADJUSTING		87239	PATTERN DRAWER	S
	PLATE	E	87241	ENCODER	B,C
87111	NEEDLE BAR		87242	INSULATION SHEET	D
	SWING BRACKET	E	87245	BELL CLANK FOR ZIGZAG	E
87112	TENSION RELEASE LEVER	G,H	87246	PINION GEAR	E,L
87114	PRESSURE BAR GUIDE	F	87249	SWITCH BRACKET	P,R
87117	BH PLATE B	F	87250	M4 SPECIAL SCREW UNIT	T
87118	BH PLATE C	F	87251	BOBBIN WINDER CAM	T
87120	THREAD GUIDE PLATE	E	87253	PINION GEAR	M
87122	SUPPORT PLATE	K	87254	FEED REGULATOR (NLA)→	
87125	IDLER PULLEY BRACKET	B,C		ORDER COMPLETE 88118	M
87126	MAIN MOTOR BRACKET	N,O,P,R	87255	M4 BOLT	L
87128	MOUNTING BRACKET	D	87256	M3 PHILIPS SCREW	L
87129	RETAINER	D	87257	BUSH	P,R
87130	RETAINER	T	87258	COLLAR (NLA)→	
87133	BRACKET	A		ORDER COMPLETE 88118	M
87134	TAKE-UP LEVER	B,C	87261	CP BOLT	L,M,N,O,P,R
87135	BRACKET	F	87262	M3 CP SCREW	K,L,M
87136	L-R LIMITER	E	87263	DRIVING BELT	N,O,P,R
87139	MOUNTING BRACKET	D	87264	TIMING BELT	B,C
87142	RETAINER	T	87265	SPACER	E
87146	BRACKET	L,M	87266	TUBE	E
87147	STEPPING MOTOR BRACKET	L	87267	INSULATION SHEET	E
87148	STEPPING MOTOR BRACKET	M	87268	M6 NUT	K
87154	NEEDLE CLAMP SET	E	87269	WASHER	K
87156	BRACKET	A	87270	RUBBER FOOT	S,T
87170	BALL METAL	J	87271	RUBBER FOOT	S
87171	TIMING BELT GEAR (LOWER)	J	87272	BRUSH	S
87174	FORKED CRANK	K	87273	PIN	L,M
87178	FEED REGULATOR SHAFT		87274	WASHER	M
	METAL BUSH	L,M	87277	NEEDLE SET	U
87180	EXTENSION SPRING	D	87286	VINYL COVER	U
87182	TORSION SPRING	D	87287	SPOOL PIN CAP (MINI)	U
87183	SPRING	E	87288	PULLEY CAP	B,C
87184	SPRING	E	87289	SPOOL PIN CAP (SMALL)	U
87186	TORSION SPRING	K	87290	SPOOL PIN CAP (LARGE)	U

PART NO.	DESCRIPTION	PAGE	PART NO.	DESCRIPTION	PAGE
87291	CPU CIRCUIT BOARD BOX	N,O,P,R	87668	M4 BOLT	M
87292	KNOB	S	87714	PRESSURE SUPPORT	
87293	SLIDE LEVER	S		PLATE UNIT	F
87296	SPOOL PIN UNIT	T	87739	BOBBIN WINDER BRACKET	D
87297	PRESSURE BAR LIFTER	G,H	87749	M3 SHOULDER SCREW	D
87299	PULLEY	B,C	87750	BOBBIN WINDER	
87305	HANDLE	A		BRACKET UNIT	D
87315	TENSION PLATE	T	87815	BOBBIN WINDER UNIT	D
87316	AC CIRCUIT BOARD BOX	N,O,P,R	88103	COVER	S
87319	ACC. BOX	A	88118	FEED REGULATOR	M
87323	DRAWER BRACKET (RIGHT)	S	88311	TAKE-UP LEVER SHAFT BLOCK	C
87324	DRAWER BRACKET (LEFT)	S			
87326	FACE COVER	S			
87402	LED PANEL	S			
87422	DROP GUIDE	K			
87423	DROP LEVER	K			
87424	TORSION SPRING	K			
87425	DROP KNOB	K			
87426	SECURING BRACKET	K			
87433	TORSION SPRING	K			
87456	NEEDLE COVER PLATE	F			
87459	PATTERN SEAL				
	(FOR MODEL 7464 ONLY)	S			
87461	BUTTON	S			
87462	CONTROL PANEL	S			
87463	PATTERN SWITCH	S			
87464	PATTERN SEAL				
	(FOR MODEL 7466 ONLY)	S			
87468	BUTTON	S			
87469	BUTTON	S			
87500	STEPPING MOTOR	L			
87502	LED LIGHT CIRCUIT BOARD	E			
87507	BH SWITCH HARNESS	F			
87510	MAIN MOTOR	N,O			
87511	SWITCH HARNESS	S			
87513	PIN-JACK HARNESS	N,O,P,R			
87514	TRANSFORMER	N,O			
87515	MAIN MOTOR	P,R			
87516	SWITCH HARNESS	L,M			
87517	SWITCH HARNESS				
	FOR ZIGZAG	E			
87519	TRANSFORMER	P,R			
87522	13P CORD HARNESS	N,O,P,R			
87523	4P CORD HARNESS	N,O,P,R			
87524	5P CORD HARNESS	N,O,P,R			
87527	PHOTO SENSOR				
	CIRCUIT BOARD	D			
87529	4P CORD HARNESS	N,O,P,R			
87530	CIRCUIT BOARD	N,O			
87532	FOOT CONTROL				
	(PIN-JACK TYPE)	U			
87533	SWITCH CIRCUIT BOARD				
	(FOR MODEL 7464 ONLY)	S			
87534	POWER CORD (120V)	U			
87536	INLET HARNESS	N,O			
87541	SWITCH	N,O,P,R			
87542	INSULATION SHEET	N,O,P,R			
87547	SWITCH CIRCUIT BOARD				
	(FOR MODEL 7466 ONLY)	S			
87549	TRANSFORMER				
	(MALAYSIA ONLY)	P,R			
87553	CIRCUIT BOARD	P,R			
87555	CPU CIRCUIT BOARD	N,P			
87575	INLET HARNESS	P,R			
87584	SWITCH HARNESS	D			
87585	CPU CIRCUIT BOARD	O,R			
87596	MAIN MOTOR				
	(MALAYSIA ONLY)	P,R			
87600	STEPPING MOTOR	E,M			

PART NO. DESCRIPTION

PAGE

PART NO. DESCRIPTION

PAGE