

BUYER'S MODEL NO. 7442

FACTORY MODEL 442x0 , 442x1 , 442x2

ORIGINAL ISSUE

APRIL, 2005

SECTION ----

REVISION

AUGUST , 2005

REVISION

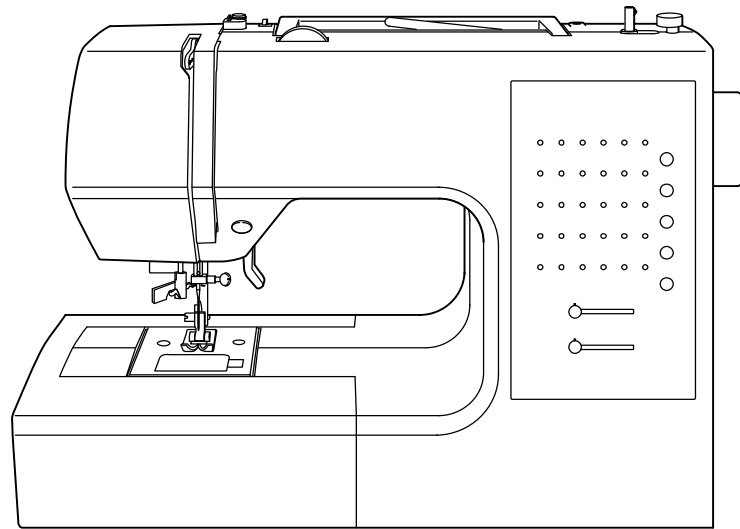
MARCH, 2008

REVISION

MAY, 2008

REFER TO IMPORTANT NOTICE BELOW

# PARTS LIST FOR MODEL 7442

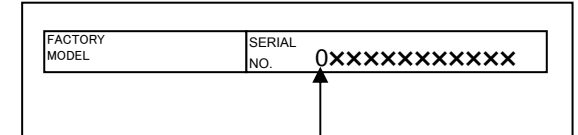


# SINGER®

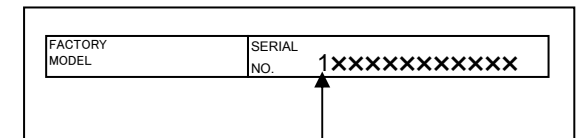
## IMPORTANT:

WHEN ORDERING THE PARTS  
ALWAYS CHECK THE SERIAL  
NUMBER OF THE MACHINE.

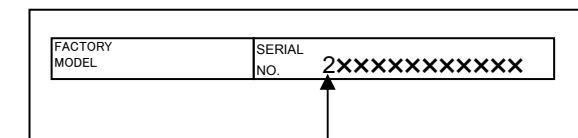
FIRST DIGIT OF THE SERIAL  
NUMBER MUST MATCH WITH  
THE LAST DIGIT OF THE FACTORY  
MODEL ABOVE.



FIRST DIGIT



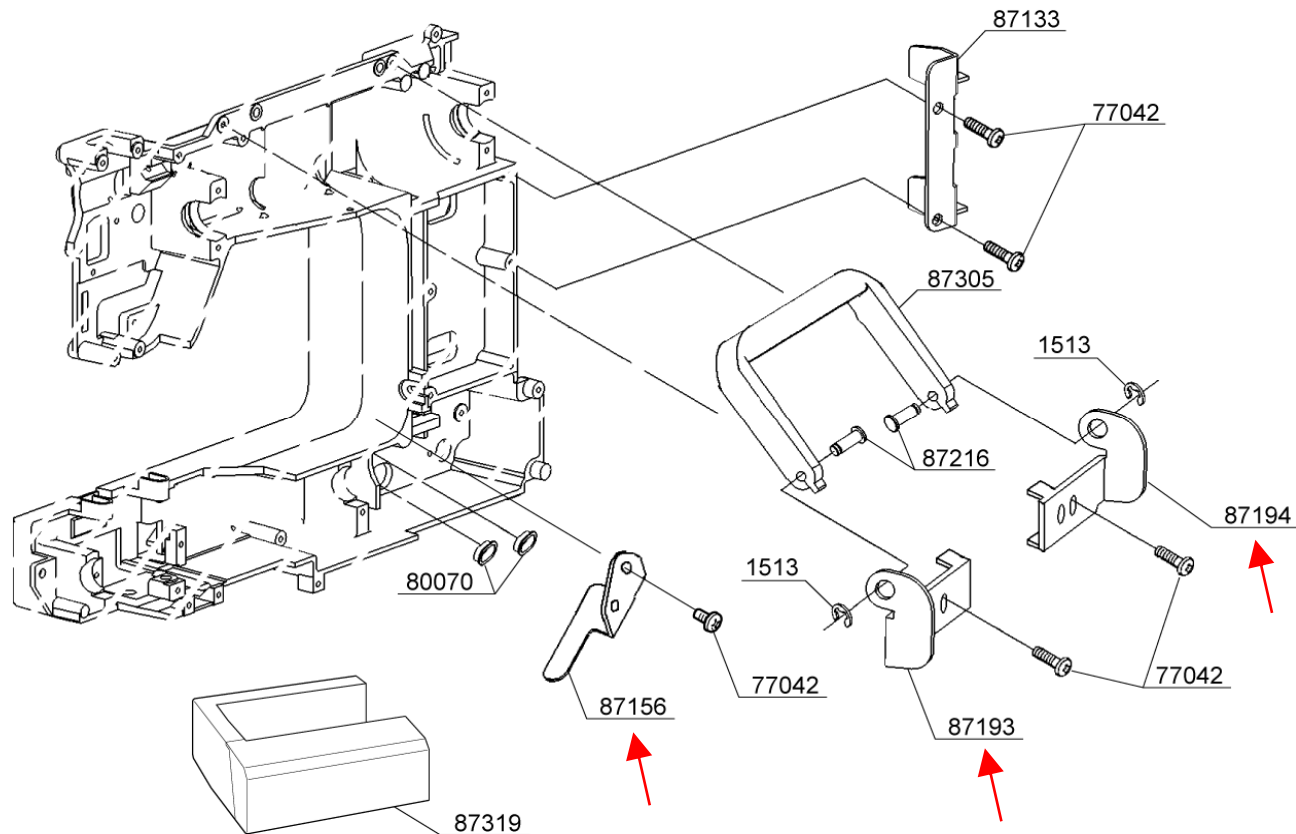
FIRST DIGIT



FIRST DIGIT

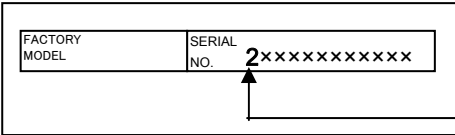
BUYER'S MODEL NO.	7442	SECTION	PAGE	REVISION	REMARKS	PART NO.	DESCRIPTION
BUYER'S MODEL NAME	COSMO G-1,CB-1		<b>1</b>	MARCH ,2008		1513	E4 CLIP-ON-WASHER
FACTORY MODEL	442x0 , 442x1 , 442x2					77042	M4 PHILLIPS SCREW
ORIGINAL ISSUE	APRIL , 2005	SERIAL NO.				80070	CORD GUIDE

87133	BRACKET
87156	BRACKET
87193	HANDLE BRACKET ( L )
87194	HANDLE BRACKET ( R )
87216	PIN
87305	HANDLE
87319	ACC. BOX

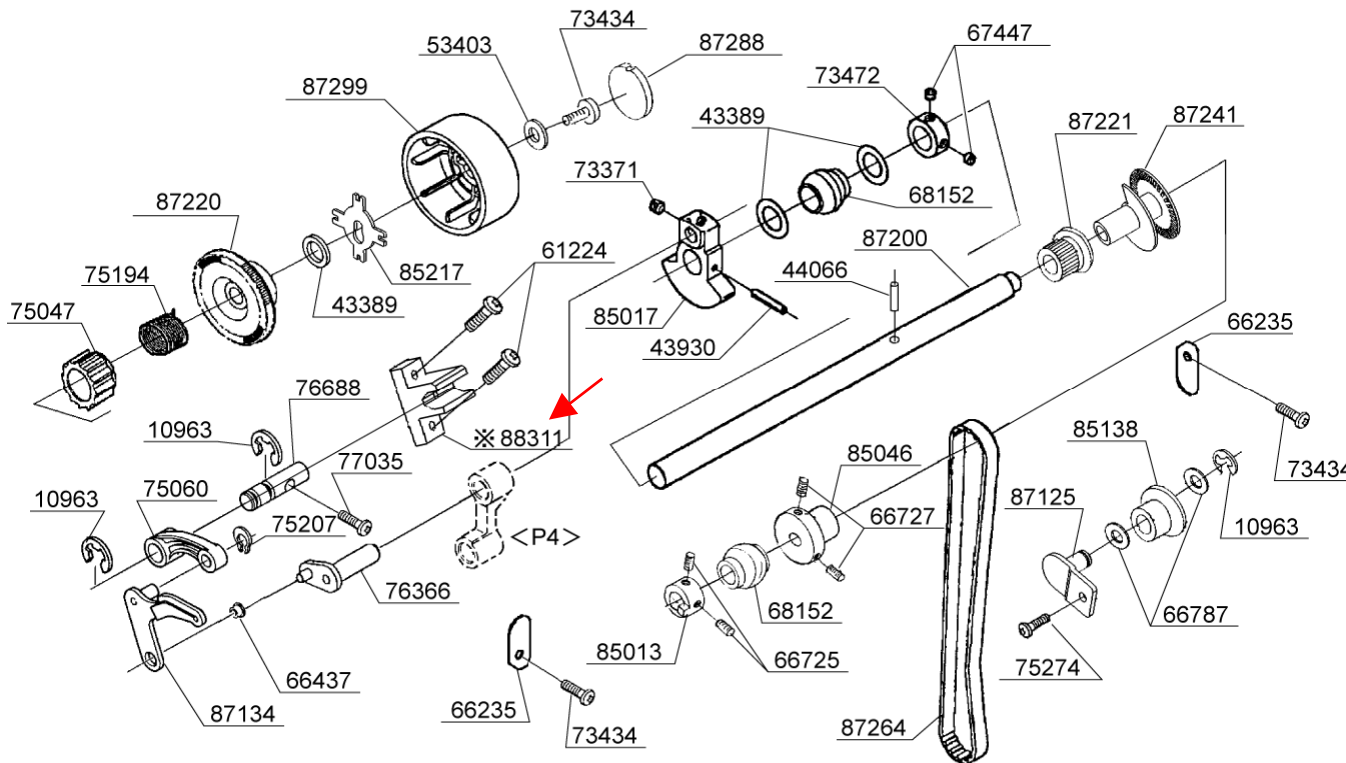




BUYER'S MODEL NO.	7442	SECTION	PAGE	REVISION	REMARKS	PART NO.	DESCRIPTION
BUYER'S MODEL NAME	COSMO G-1,CB-1		<b>2-2</b>			10963	E6 CLIP-ON-WASHER
FACTORY MODEL	442x2					43389	THRUST WASHER
ORIGINAL ISSUE	MARCH ,2008	SERIAL NO.				43930	SPRING PIN



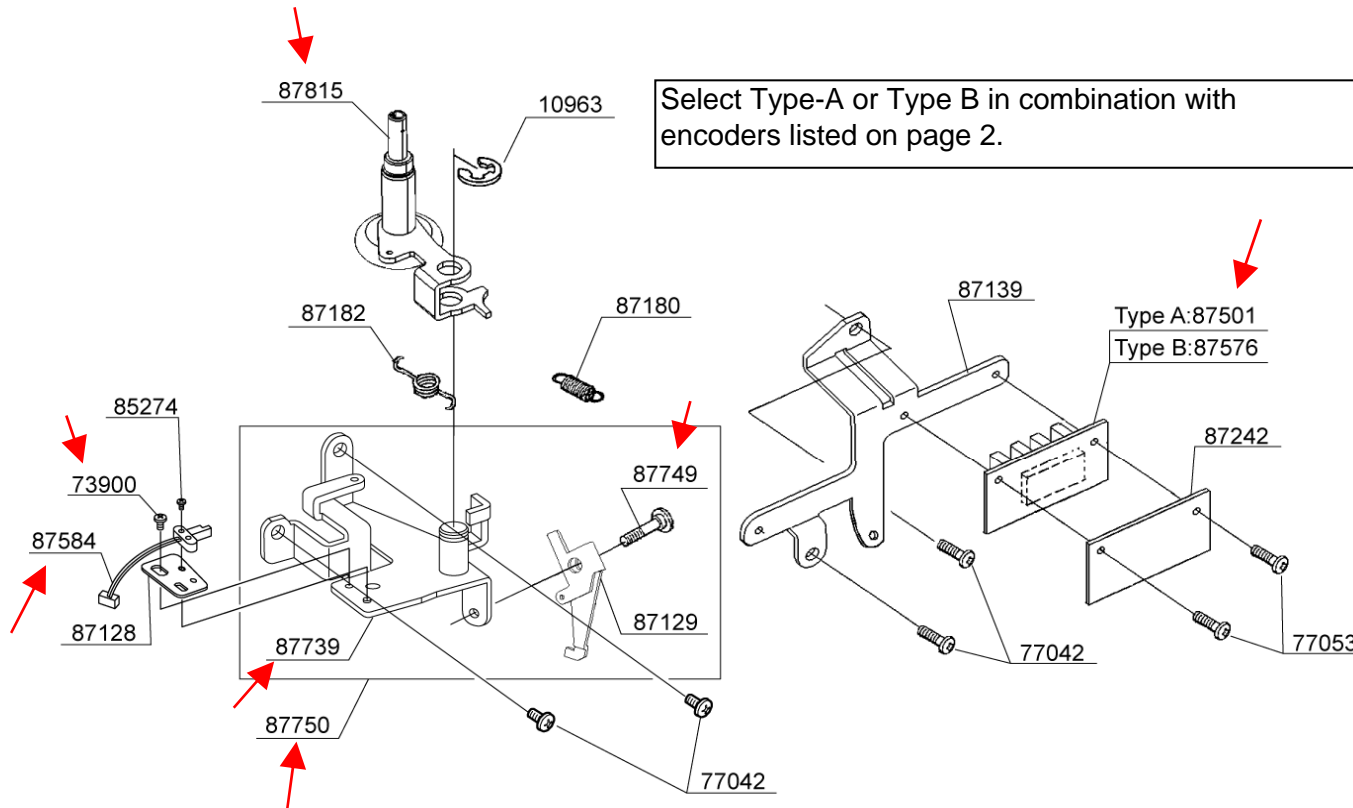
NOTE : PARTS NUMBER WITH ※ MARKS ARE FOR MACHINES SERIAL NUMBERS WITH "2" AT FIRST DIGIT.



10963	E6 CLIP-ON-WASHER
43389	THRUST WASHER
43930	SPRING PIN
44066	SPRING PIN
53403	WASHER
61224	M4 PHILIPS SCREW
66235	SECURING PLATE
66437	BUSH
66725	M4 SCREW
66727	M4 SCREW
66787	WASHER
67447	M5 SCREW
68152	BALL BUSH
73371	M6 SCREW
73434	M4 PHILIPS SCREW
73472	COLLAR
75047	CLUTCH
75060	TAKE-UP LEVER CRANK
75194	TORSION SPRING
75207	CS-CLIP
75274	M4 PHILIPS SCREW
76366	CRANK SHAFT
76688	SHAFT
77035	M4 PHILIPS SCREW
85013	POSITIONING COLLAR
85017	BALANCER
85046	COLLAR
85138	TENSION ROLLER
85217	RETAINER
87125	IDLER PULLEY BRACKET
87134	TAKE-UP LEVER
87200	MAIN SHAFT
87220	BELT PULLEY
87221	UPPER TIMING BELT GEAR
87241	ENCODER
87264	TIMING BELT
87288	PULLEY CAP
87299	PULLEY
88311	TAKE-UP LEVER SHAFT BLOCK

BUYER'S MODEL NO.	7442	SECTION	PAGE	REVISION	REMARKS
BUYER'S MODEL NAME	COSMO G-1,CB-1		<b>3</b>	MARCH ,2008	
FACTORY MODEL	442x0 , 442x1 , 442x2				
ORIGINAL ISSUE	APRIL , 2005	SERIAL NO.			

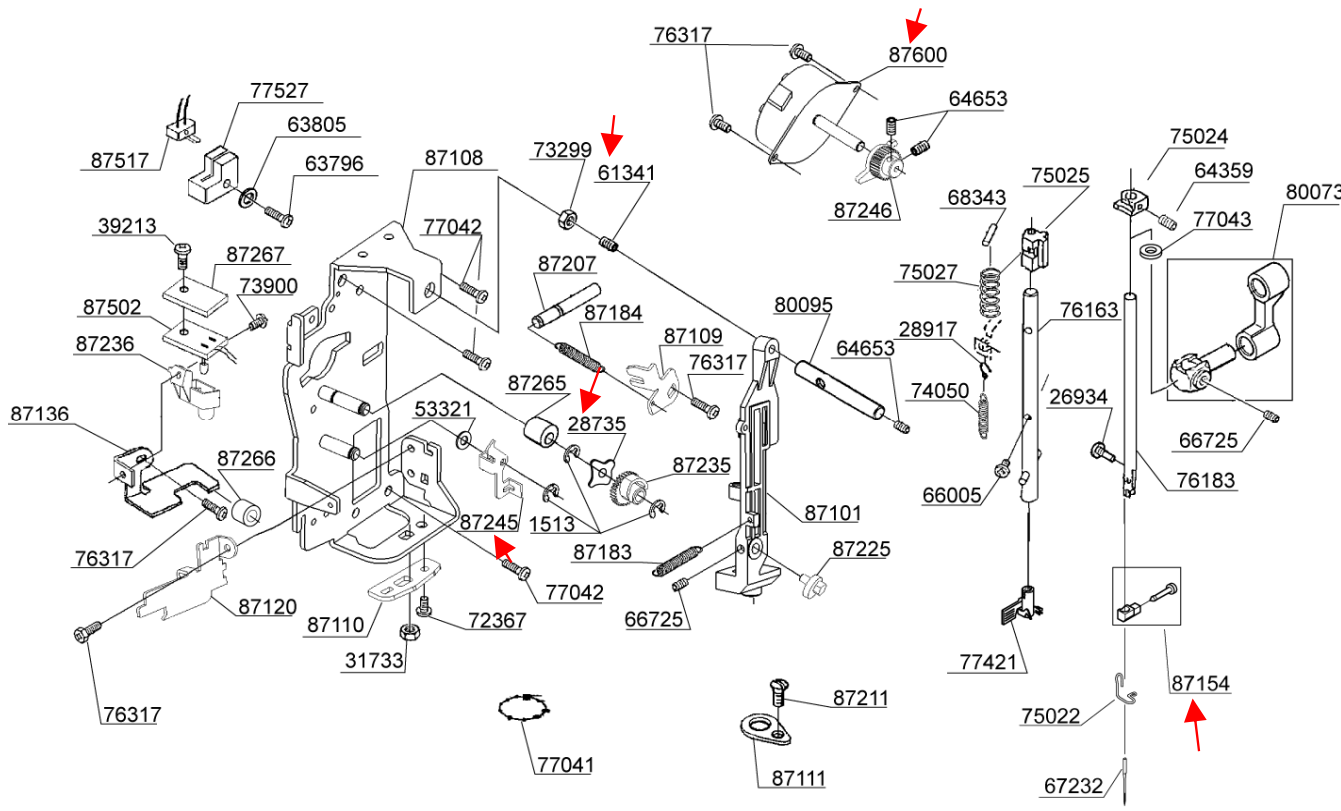
PART NO.	DESCRIPTION
10963	E6 CLIP-ON-WASHER
73900	M3 PHILLIPS SCREW
77042	M4 PHILLIPS SCREW
77053	M3 PHILLIPS SCREW
85274	M2 SCREW
87128	MOUNTING BRACKET
87129	RETAINER
87139	MOUNTING BRACKET
87180	EXTENSION SPRING
87182	TORSION SPRING
87242	INSULATION SHEET
87501	PHOTO SENSOR CIRCUIT BOARD
87576	PHOTO SENSOR CIRCUIT BOARD
87584	SWITCH HARNESS
87739	BOBBIN WINDER BRACKET
87749	M3 SHOULDER SCREW
87750	BOBBIN WINDER BRACKET UNIT
87815	BOBBIN WINDER UNIT



When you order BOBBIN WINDER UNIT, check first if it is made of metal or plastic.

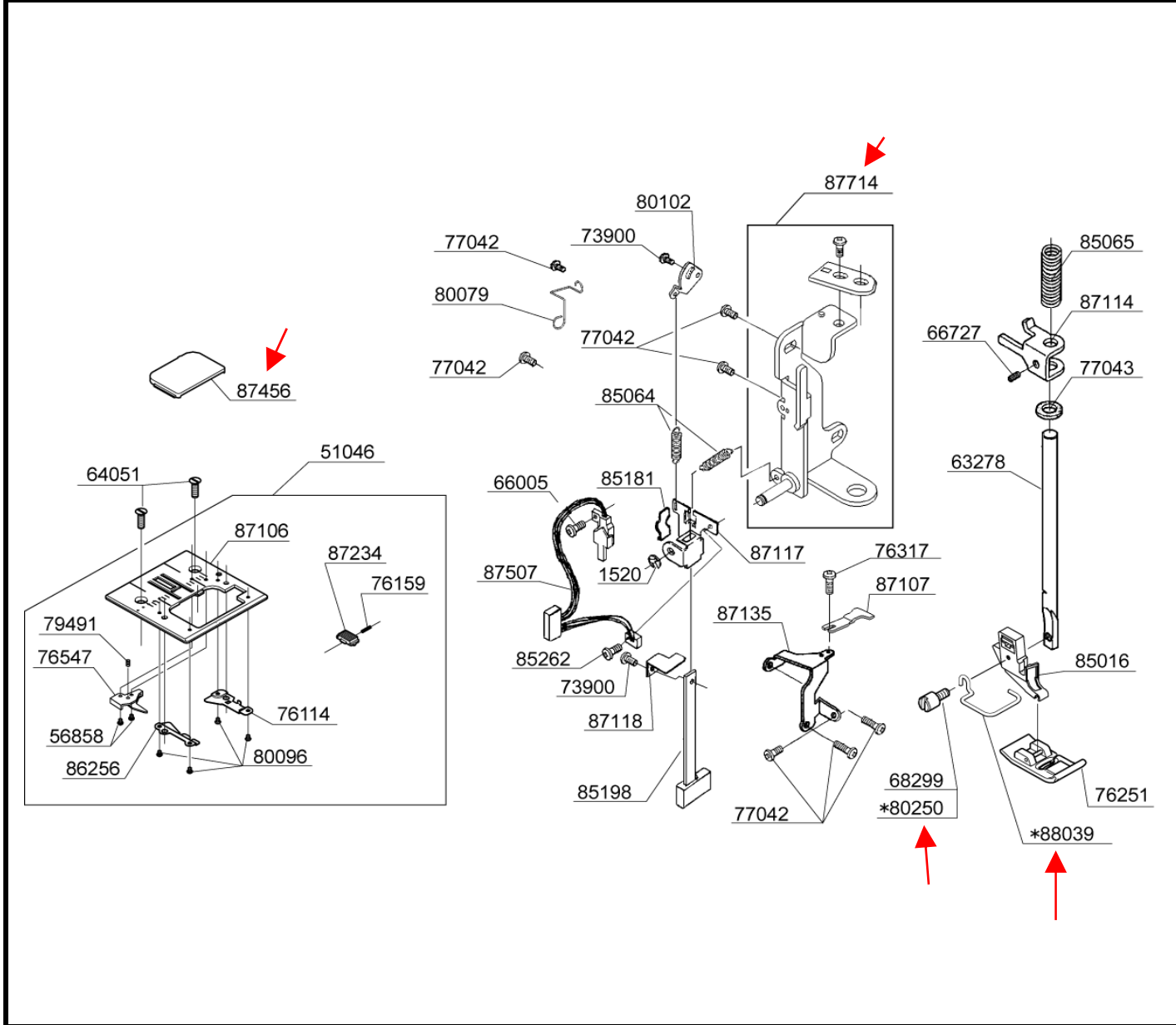
1. If it is of metal:  
order both bobbin winder unit #87815 and bobbin winder bracket unit #87750.
2. If it is of plastic:  
order bobbin winder unit #87815 only.

BUYER'S MODEL NO.	7442	SECTION	PAGE	REVISION	REMARKS	PART NO	DESCRIPTION
BUYER'S MODEL NAME	COSMO G-1,CB-1		4	MARCH ,2008		1513	E4 CLIP-ON-WASHER
FACTORY MODEL	442x0 , 442x1 , 442x2						26934
ORIGINAL ISSUE	APRIL , 2005	SERIAL NO.				28735	CRINKLE WASHER



PART NO	DESCRIPTION
1513	E4 CLIP-ON-WASHER
26934	#8 SCREW
28735	CRINKLE WASHER
28917	HOOK FOR SPRING
31733	M3 NUT
39213	M3 SCREW
53321	THRUST WASHER
61341	M4 SCREW
63796	M3 SCREW
63805	WASHER
64359	M4 SCREW
64653	M3 SCREW
66005	M2 PHILLIPS SCREW
66725	M4 SCREW
67232	NEEDLE
68343	PIN
72367	M4 CP SCREW
73299	M4 TORQUE NUT
73900	M3 PHILLIPS SCREW
74050	EXTENSION SPRING
75022	THREAD GUIDE
75024	STOPPER
75025	GUIDE BLOCK
75027	COMPRESSION SPRING
76163	THREADER SHAFT SET
76183	NEEDLE BAR
76317	M3 PHILLIPS SCREW
77041	UNITY FASTENER
77042	M4 PHILLIPS SCREW
77421	THREADER ASSEMBLY
77527	SENSOR COVER
80073	NEEDLE BAR CRANK SET
80095	STRAIGHT PIN
87101	NEEDLE BAR SUPPORT
87108	NEEDLE BAR SUPPORT BRACKET
87109	SECURING PLATE
87110	NEEDLE BAR ADJUSTING PLATE
87111	NEEDLE BAR SWING BRACKET
87120	THREAD GUIDE PLATE
87136	L-R LIMITER
87154	NEEDLE CLAMP SET
87183	SPRING
87184	SPRING
87207	STRAIGHT PIN
87211	M3 SCREW
87225	ECCENTRIC CAM
87235	ZIGZAG CAM WITH GEAR
87236	LED LIGHT COVER
87245	BELL CLANK FOR ZIGZAG
87246	PINION GEAR
87265	SPACER
87266	TUBE
87267	INSULATION SHEET
87502	LED LIGHT CIRCUIT BOARD
87517	SWITCH HARNESS FOR ZIGZAG
87600	STEPPING MOTOR

BUYER'S MODEL NO.	7442	SECTION	PAGE	REVISION	REMARKS	PART NO.	DESCRIPTION
BUYER'S MODEL NAME	COSMO G-1,CB-1		<b>5</b>	August ,2005		1520	E3 CLIP-ON-WASHER
FACTORY MODEL	442x0 , 442x1 , 442x2			MARCH ,2008		51046	NEEDLE PLATE SET
ORIGINAL ISSUE	APRIL , 2005	SERIAL NO.				56858	M2 PHILLIPS SCREW



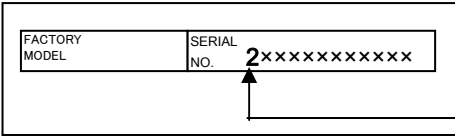
58741	CORD GUARD
61222	M4 PHILLIPS SCREW
63278	PRESSER BAR
64051	M4 SCREW
65710	FINGER GUARD (ITALY ONLY)
66005	M2 PHILLIPS SCREW
66727	M4 SCREW
68299	#7 SCREW FOR SHANK
73900	M3 PHILLIPS SCREW
76114	COVER GUIDE (R)
76159	COMPRESSION LEVER
76251	ZIGZAG PRESSER FOOT
76317	M3 PHILLIPS SCREW
76547	THREAD CONTROL PLATE
77042	M4 PHILLIPS SCREW
77043	FELT SCREW
79491	SCREW
80065	#7 SCREW FOR SHANK (ITALY ONLY)
80077	PRESSER BAR GUIDE SECURING PLATE
80079	CORD GUIDE
80096	M2 SCREW
80102	CONTROL PLATE
85016	PRESSER FOOT HOLDER
85064	EXTENSION SPRING
85065	COMPRESSION SPRING
85181	LEAF SPRING
85198	BH PLATE(A)
85262	M2 SCREW
85332	SPACER
86256	COVER GUIDE (L)
87106	NEEDLE PLATE
87107	BOBBIN CASE STOPPER
87114	PRESSURE BAR GUIDE
87117	BH PLATE B
87118	BH PLATE C
87135	BRACKET
87234	RELEASE LEVER
87456	NEEDLE COVER PLATE
87507	BH SWITCH HARNESS
87714	PRESSURE SUPPORT PLATE UNIT
*88039	FINGER GUARD (ITALY ONLY)
*80250	#7 SCREW FOR SHANK (ITALY ONLY)



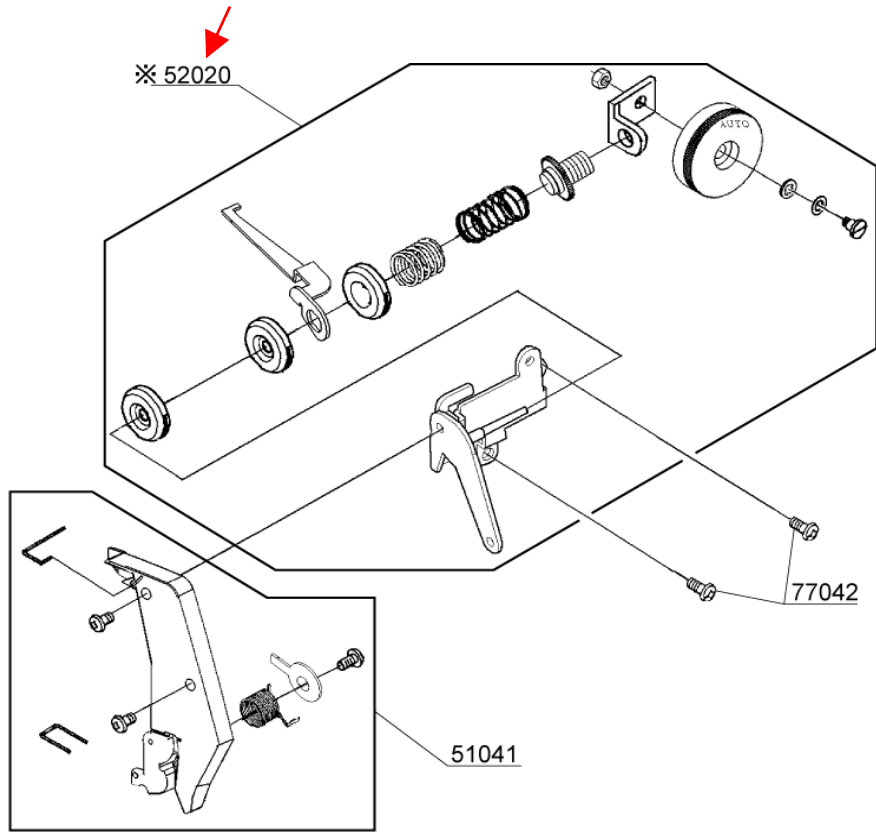


BUYER'S MODEL NO.	7442	SECTION	PAGE	REVISION	REMARKS
BUYER'S MODEL NAME	COSMO G-1,CB-1		<b>6-2</b>		
FACTORY MODEL	442x2				
ORIGINAL ISSUE	MARCH,2008	SERIAL NO.			

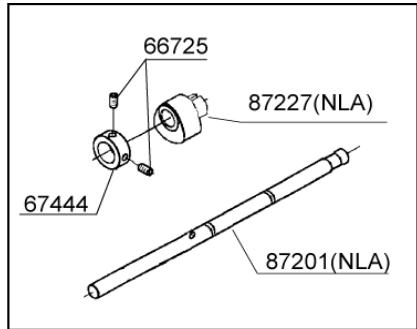
PART NO.	DESCRIPTION
51041	THREAD GUIDE PLATE ASSY
52020	TENSION ASSY
62215	M4 NUT
72266	M4 STUD SCREW
77042	M4 PHILLIPS SCREW
87112	TENSION RELEASE LEVER
87212	M4 SCREW
87297	PRESSURE BAR LIFTER



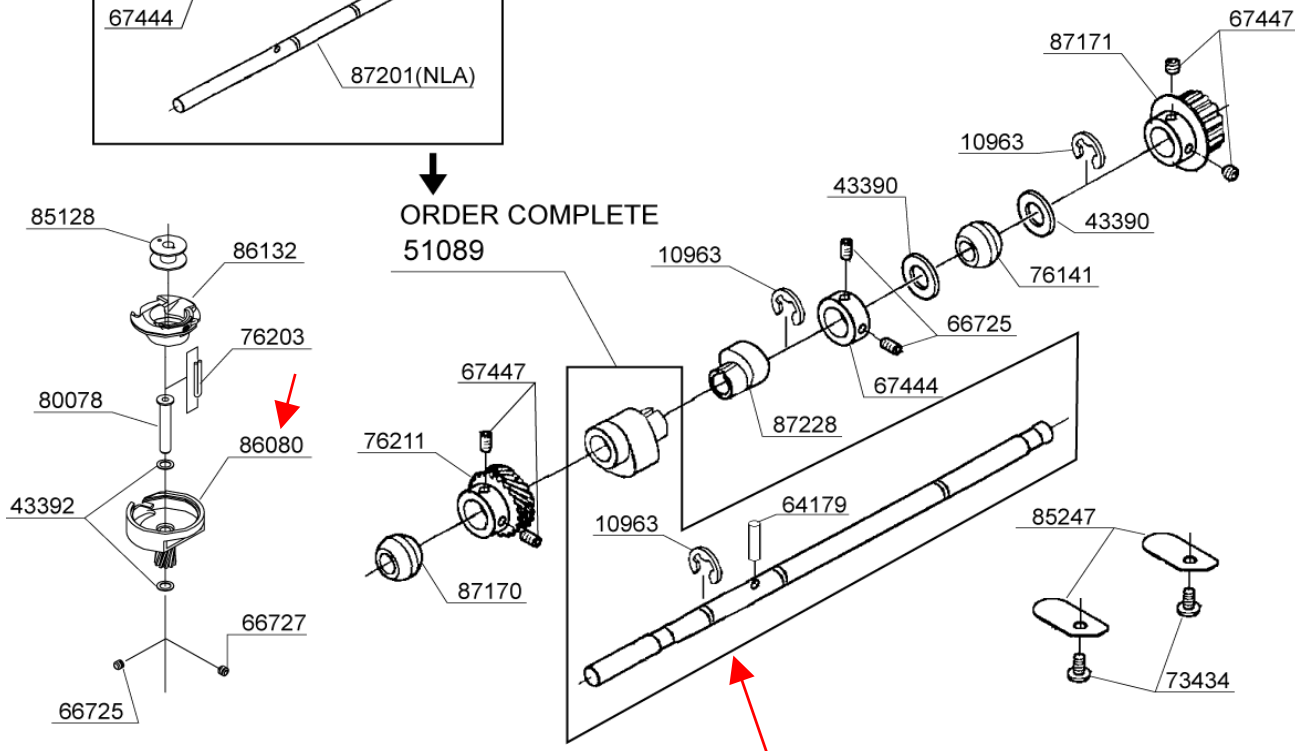
NOTE : PARTS NUMBER WITH ※ MARKS ARE FOR MACHINES SERIAL NUMBERS WITH "2" AT FIRST DIGIT.



BUYER'S MODEL NO.	7442	SECTION	PAGE	REVISION	REMARKS	PART NO.	DESCRIPTION
BUYER'S MODEL NAME	COSMO G-1,CB-1		7	MARCH ,2008		10963	E6 CLIP-ON-WASHER
FACTORY MODEL	442x0 , 442x1 , 442x2					43390	THRUST WASHER
ORIGINAL ISSUE	APRIL , 2005	SERIAL NO.				43392	THRUST WASHER



ORDER COMPLETE  
51089

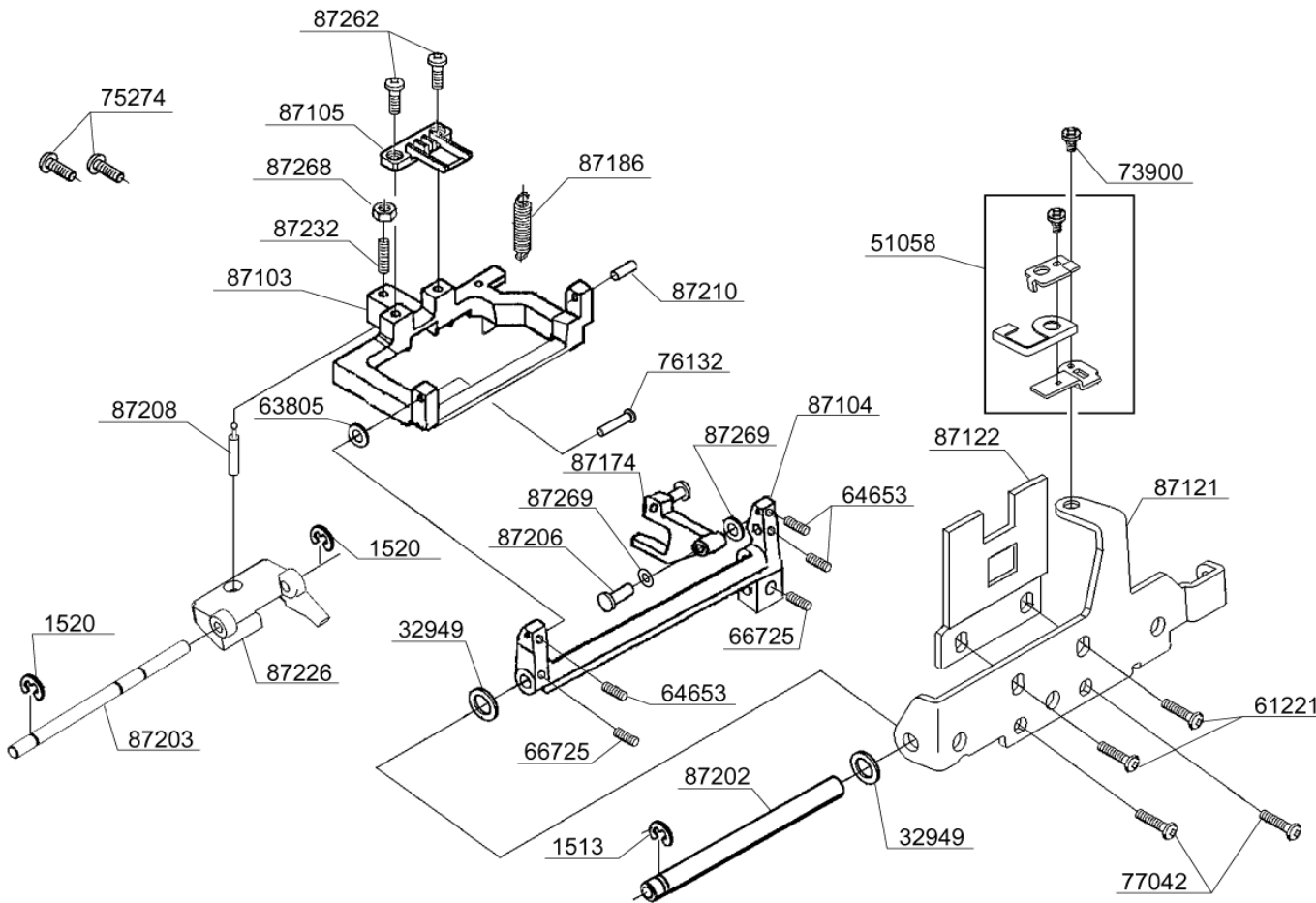


64179	SPRING PIN
66725	M4 SCREW
66727	M4 SCREW
67444	COLLAR
67447	M5 SCREW
73434	M4 PHILLIPS SCREW
76141	BALL METAL
76203	OILING CORD
76211	BEVEL GEAR
80078	SHUTTLE RACE SHAFT
85128	BOBBIN
85247	SECURING PLATE
86080	SHUTTLE RACE
86132	BOBBIN CASE
87170	BALL METAL
87171	TIMING BELT GEAR (LOWER)
87201	LOWER STRAIGHT SHAFT (NLA) →
87227	LIFTING CAM (NLA) →
87228	FEED CAM

BUYER'S MODEL NO.	7442	SECTION	PAGE	REVISION	REMARKS	PART NO.	DESCRIPTION
BUYER'S MODEL NAME	COSMO G-1,CB-1		<b>8-1</b>	August ,2005		1513	E4 CLIP-ON-WASHER
FACTORY MODEL	442x0 , 442x1 , 442x2					1520	E3 CLIP-ON-WASHER
ORIGINAL ISSUE	APRIL , 2005	SERIAL NO.				32949	WASHER

## TYPE-A

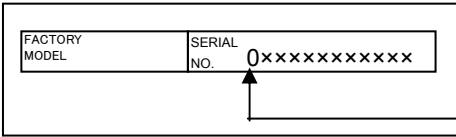
Shape of stitch length mechanism is different between TYPE-A and TYPE-B due to the difference of ratio of gears. Check which is the machine serviced according to the shape of motor gear.



61221	M4 PHILLIPS SCREW
63805	WASHER
64653	M3 SCREW
66725	M4 SCREW
73900	M3 PHILLIPS SCREW
75274	M4 PHILLIPS SCREW
76132	SHAFT
77042	M4 PHILLIPS SCREW
87103	FEED DOG BASE
87104	FEED DOG BASE SUPPORT
87105	FEED DOG
87121	SECURING BRACKET
87122	SUPPORT PLATE
87174	FORKED CRANK
87186	TORSION SPRING
87202	SHAFT
87203	SHAFT
87206	PIN
87208	BALL HEADED PIN
87210	PIN
87226	VERTICAL FEED BLOCK
87232	M6 STUD SCREW
87262	M3 CP SCREW
87268	M6 NUT
87269	WASHER



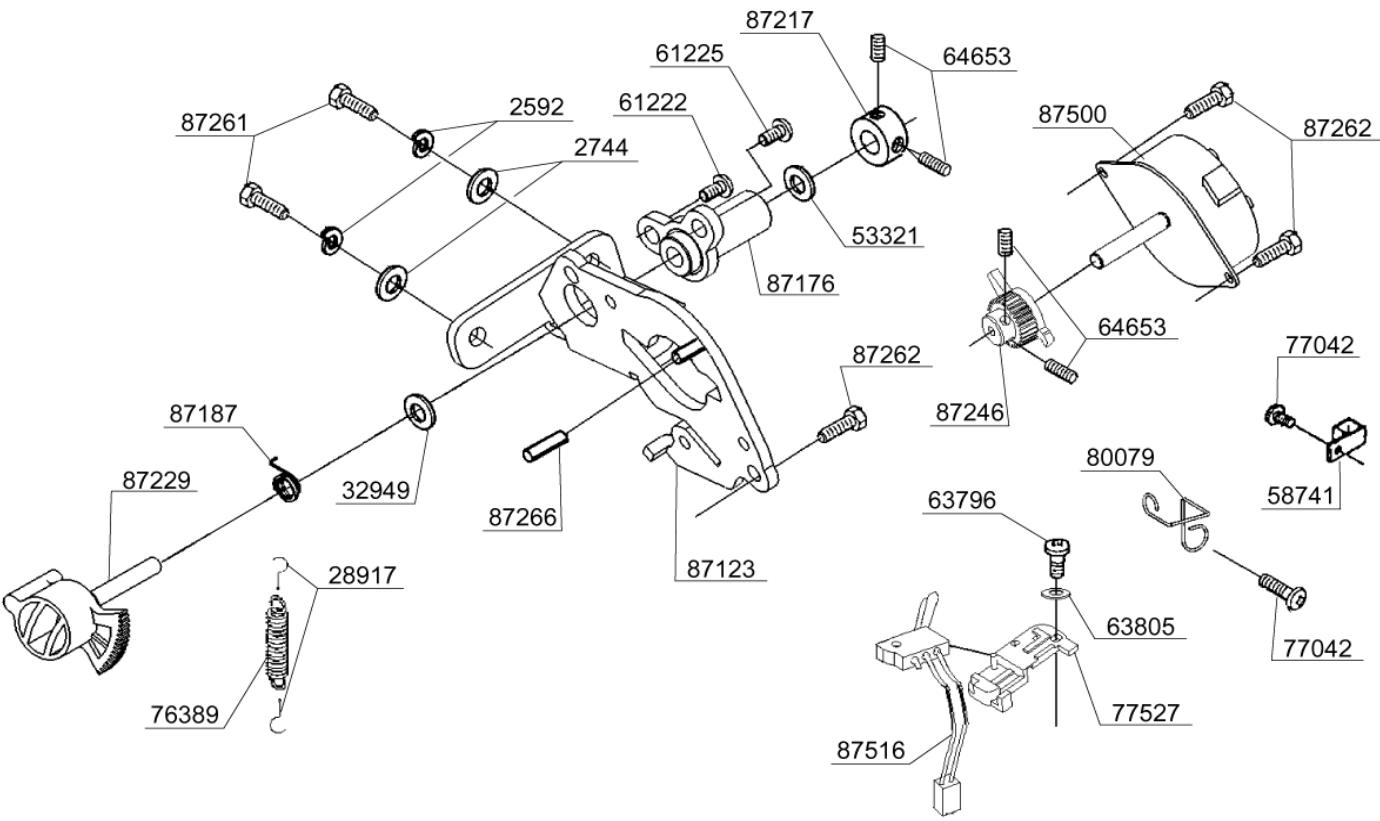
BUYER'S MODEL NO.	7442	SECTION	PAGE	REVISION	REMARKS
BUYER'S MODEL NAME	COSMO G-1,CB-1		<b>9</b>		
FACTORY MODEL	442x0				
ORIGINAL ISSUE	APRIL, 2005	SERIAL NO.			



NOTE : PARTS NUMBER WITH ※ MARKS ARE FOR MACHINES SERIAL NUMBERS WITH "0" AT FIRST DIGIT.

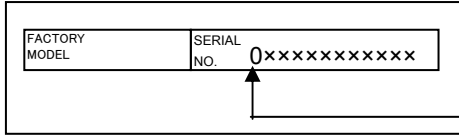
**TYPE-A**

Shape of stitch length mechanism is different between TYPE-A and TYPE-B due to the difference of ratio of gears. Check which is the machine serviced according to the shape of motor gear.



PART NO	DESCRIPTION
2592	SPRING WASHER
2744	WASHER
28917	HOOK FOR SPRING
32949	WASHER
53321	THRUST WASHER
58741	CORD GUARD
61222	M4 PHILLIPS SCREW
61225	M4 PHILLIPS SCREW
63796	M3 SCREW
63805	WASHER
64653	M3 SCREW
76389	EXTENSION SPRING
77042	M4 PHILLIPS SCREW
77527	SENSOR COVER
80079	CORD GUIDE
87123	STEPPING MOTOR BRACKET
87176	FEED REGULATOR SHAFT METAL BUSH
87187	TORSION SPRING
87217	COLLAR
87229	FEED REGULATOR
87246	PINION GEAR
87261	CP BOLT
87262	M3 CP SCREW
87266	PIN
87500	STEPPING MOTOR
87516	SWITCH HARNESS

BUYER'S MODEL NO.	7442	SECTION	PAGE	REVISION	REMARKS
BUYER'S MODEL NAME	COSMO G-1,CB-1		<b>9-2</b>		
FACTORY MODEL	442x0				
ORIGINAL ISSUE	MARCH ,2008	SERIAL NO.			

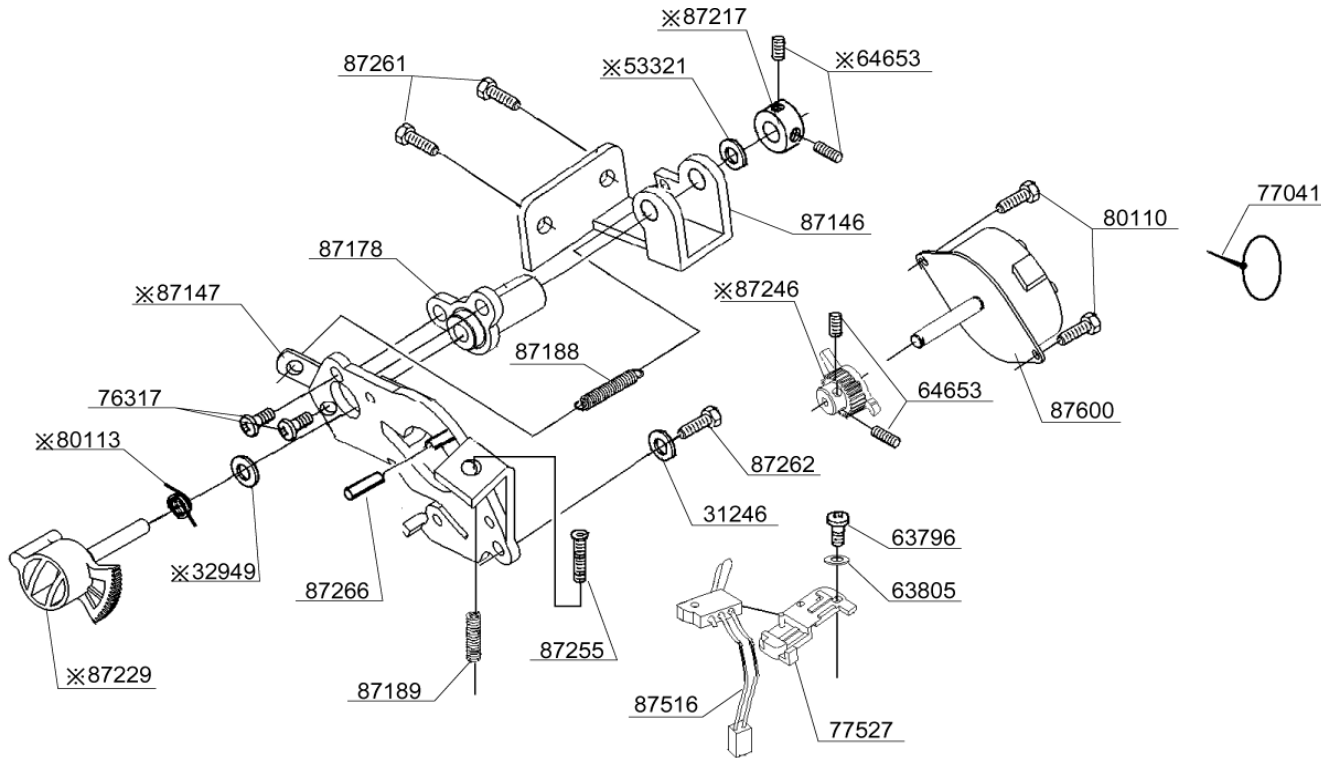


FIRST DIGIT

NOTE : PARTS NUMBER WITH ※ MARKS ARE FOR MACHINES SERIAL NUMBERS WITH "0"

### TYPE-B

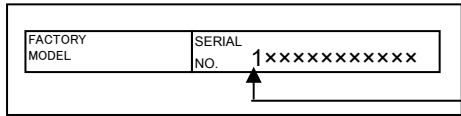
Shape of stitch length mechanism is different between TYPE-A and TYPE-B due to the difference of ratio of gears. Check which is the machine serviced according to the shape of motor gear.



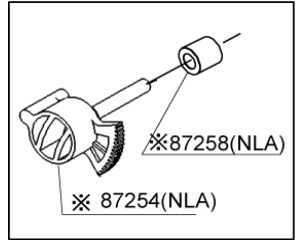
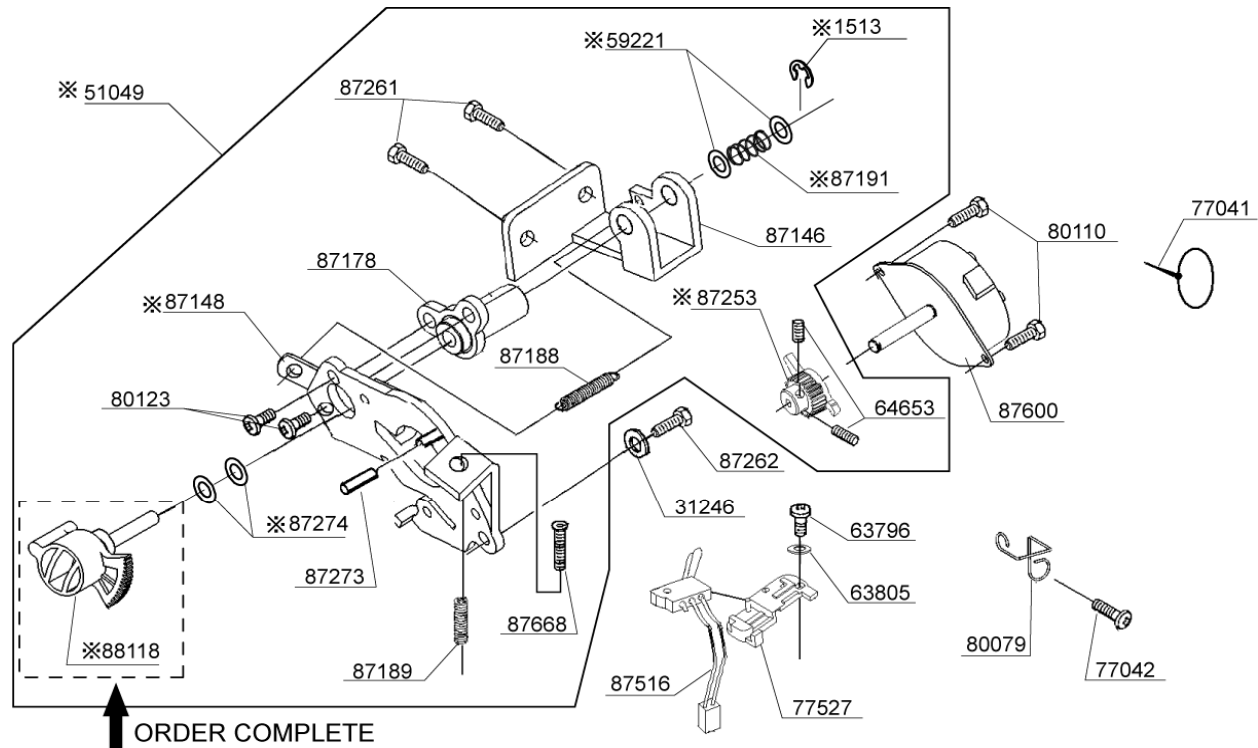
PART NO.	DESCRIPTION
31246	WASHER
53321	THRUST WASHER
63796	M3 SCREW
63805	WASHER
64653	M3 SCREW
76317	M3 PHILLIPS SCREW
77041	UNITY FASTENER
77527	SENSOR COVER
80110	M3 PHILLIPS SCREW
87146	BRACKET
87178	FEED REGULATOR SHAFT METAL BUSH
87188	EXTENSION SPRING
87189	COMPRESSION SPRING
87261	CP BOLT
87262	M3 CP SCREW
87266	PIN
87516	SWITCH HARNESS
87600	STEPPING MOTOR
87668	M4 BOLT
※32949	WASHER
※80113	TORSION SPRING
※87147	STEPPING MOTOR BRACKET
※87217	COLLAR
※87229	FEED REGULATOR
※87246	PINION GEAR

BUYER'S MODEL NO.	7442	SECTION	PAGE	REVISION	REMARKS
BUYER'S MODEL NAME	COSMO G-1,CB-1		<b>9-3</b>		
FACTORY MODEL	442x1 , 442x2				
ORIGINAL ISSUE	MARCH ,2008	SERIAL NO.			

PART NO.	DESCRIPTION
31246	WASHER
63796	M3 SCREW
63805	WASHER
64653	M3 SCREW
77041	UNITY FASTENER
77042	M4 PHILLIPS SCREW
77527	SENSOR COVER
80079	CORD GUIDE
80110	M3 CP SCREW
80123	M3 SCREW
87146	BRACKET
87178	FEED REGULATOR SHAFT METAL BUSH
87188	EXTENSION SPRING
87189	COMPRESSION SPRING
87261	CP BOLT
87262	M3 CP SCREW
87273	PIN
87516	SWITCH HARNESS
87600	STEPPING MOTOR
87668	M4 BOLT
※1513	E4 CLIP-ON-WASHER
※51049	FEED REGULATOR UNIT
※59221	WASHER
※87148	STEPPING MOTOR BRACKET
※87191	COMPRESSION SPRING
※87253	PINION GEAR
※87254	FEED REGULATOR (NLA)→ ORDER COMPLETE 88118
※87258	COLLAR (NLA)→ ORDER COMPLETE 88118
※87274	WASHER
※88118	FEED REGULATOR



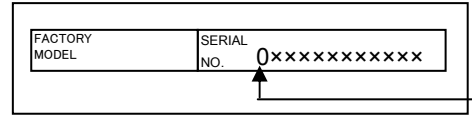
NOTE : PARTS NUMBER WITH ※ MARKS ARE FOR MACHINES SERIAL NUMBERS WITH "1" OR "2" AT FIRST DIGIT



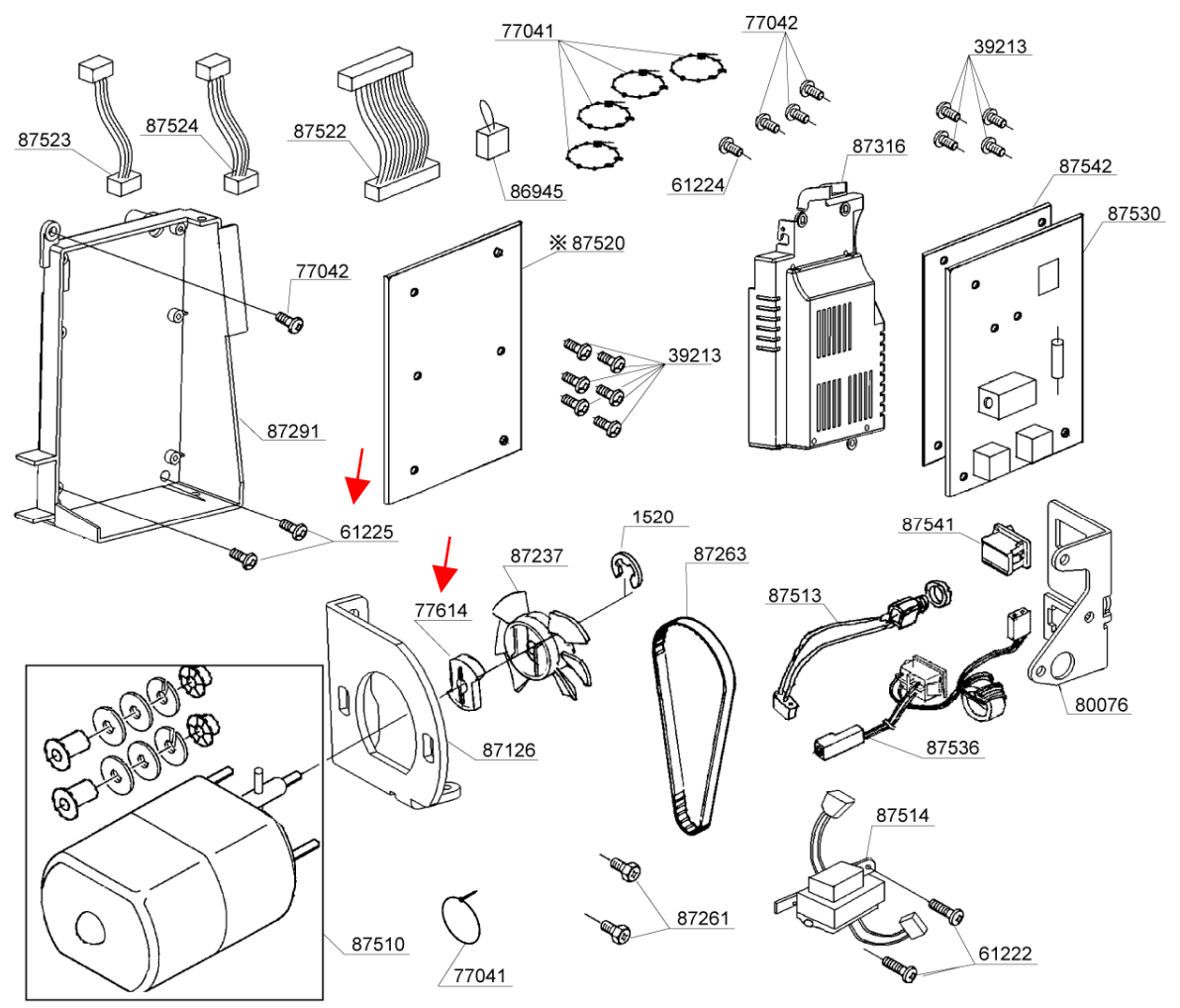


BUYER'S MODEL NO.	7442	SECTION	PAGE	REVISION	REMARKS
BUYER'S MODEL NAME	COSMO G-1,CB-1		<b>10-1</b>	MARCH ,2008	
FACTORY MODEL	442x0				
ORIGINAL ISSUE	APRIL , 2005	SERIAL NO.			

**120V**



NOTE : PARTS NUMBER WITH ※ MARKS ARE FOR MACHINES SERIAL NUMBERS WITH

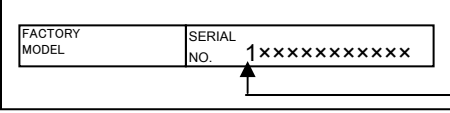


PART NO	DESCRIPTION
1520	E3 CLIP-ON-WASHER
39213	M3 SCREW
61222	M4 PHILLIPS SCREW
61224	M4 PHILLIPS SCREW
61225	M4 PHILLIPS SCREW
77041	UNITY FASTENER
77042	M4 PHILLIPS SCREW
77614	GEAR CLUTCH
80076	SWITCH BRACKET
86945	JUMPER HARNESS
87126	MAIN MOTOR BRACKET
87237	MOTOR FAN
87261	CP BOLT
87263	DRIVING BELT
87291	CPU CIRCUIT BOARD BOX
87316	AC CIRCUIT BOARD BOX
87510	MAIN MOTOR
87513	PIN-JACK HARNESS
87514	TRANSFORMER
87522	13P CORD HARNESS
87523	4P CORD HARNESS
87524	5P CORD HARNESS
87530	CIRCUIT BOARD
87536	INLET HARNESS
87541	SWITCH
87542	INSULATION SHEET
※87520	CPU CIRCUIT BOARD



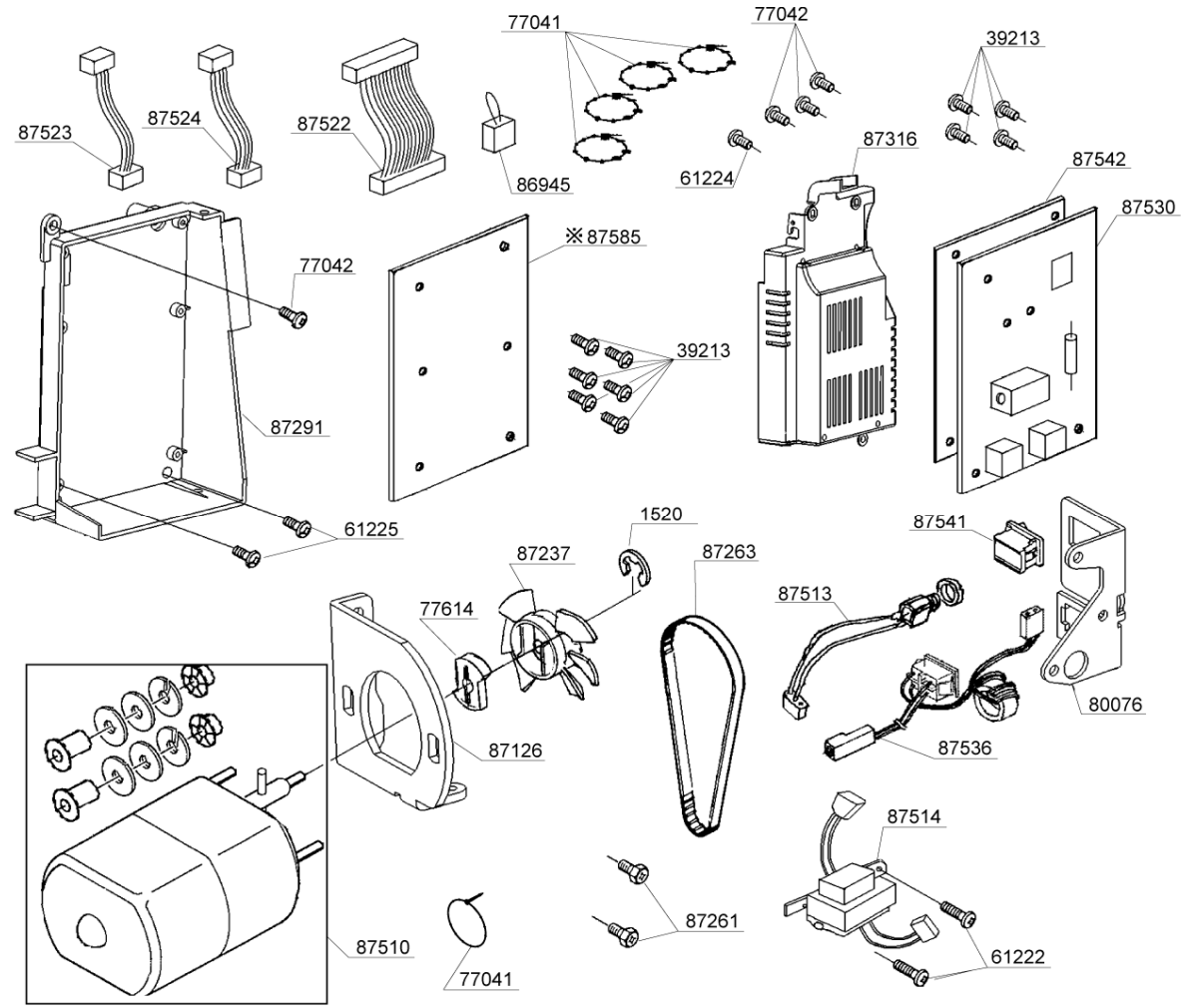
BUYER'S MODEL NO.	7442	SECTION	PAGE	REVISION	REMARKS
BUYER'S MODEL NAME	COSMO G-1,CB-1		<b>10-2</b>		
FACTORY MODEL	442x1 , 442x2				
ORIGINAL ISSUE	MARCH 2008	SERIAL NO.			

**120V**



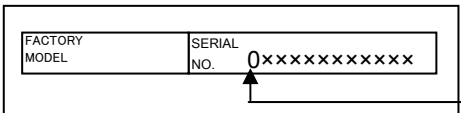
NOTE : PARTS NUMBER WITH ※ MARKS ARE FOR MACHINES SERIAL NUMBERS WITH "1" OR "2" AT FIRST DIGIT

PART NO.	DESCRIPTION
1520	E3 CLIP-ON-WASHER
39213	M3 SCREW
61222	M4 PHILLIPS SCREW
61224	M4 PHILLIPS SCREW
61225	M4 PHILLIPS SCREW
77041	UNITY FASTENER
77042	M4 PHILLIPS SCREW
77614	GEAR CLUTCH
80076	SWITCH BRACKET
86945	JUMPER HARNESS
87126	MAIN MOTOR BRACKET
87237	MOTOR FAN
87261	CP BOLT
87263	DRIVING BELT
87291	CPU CIRCUIT BOARD BOX
87316	AC CIRCUIT BOARD BOX
87510	MAIN MOTOR
87513	PIN-JACK HARNESS
87514	TRANSFORMER
87522	13P CORD HARNESS
87523	4P CORD HARNESS
87524	5P CORD HARNESS
87530	CIRCUIT BOARD
87536	INLET HARNESS
87541	SWITCH
87542	INSULATION SHEET
※87585	CPU CIRCUIT BOARD
<b>87515</b>	<b>MAIN MOTOR, 240 Volt</b>

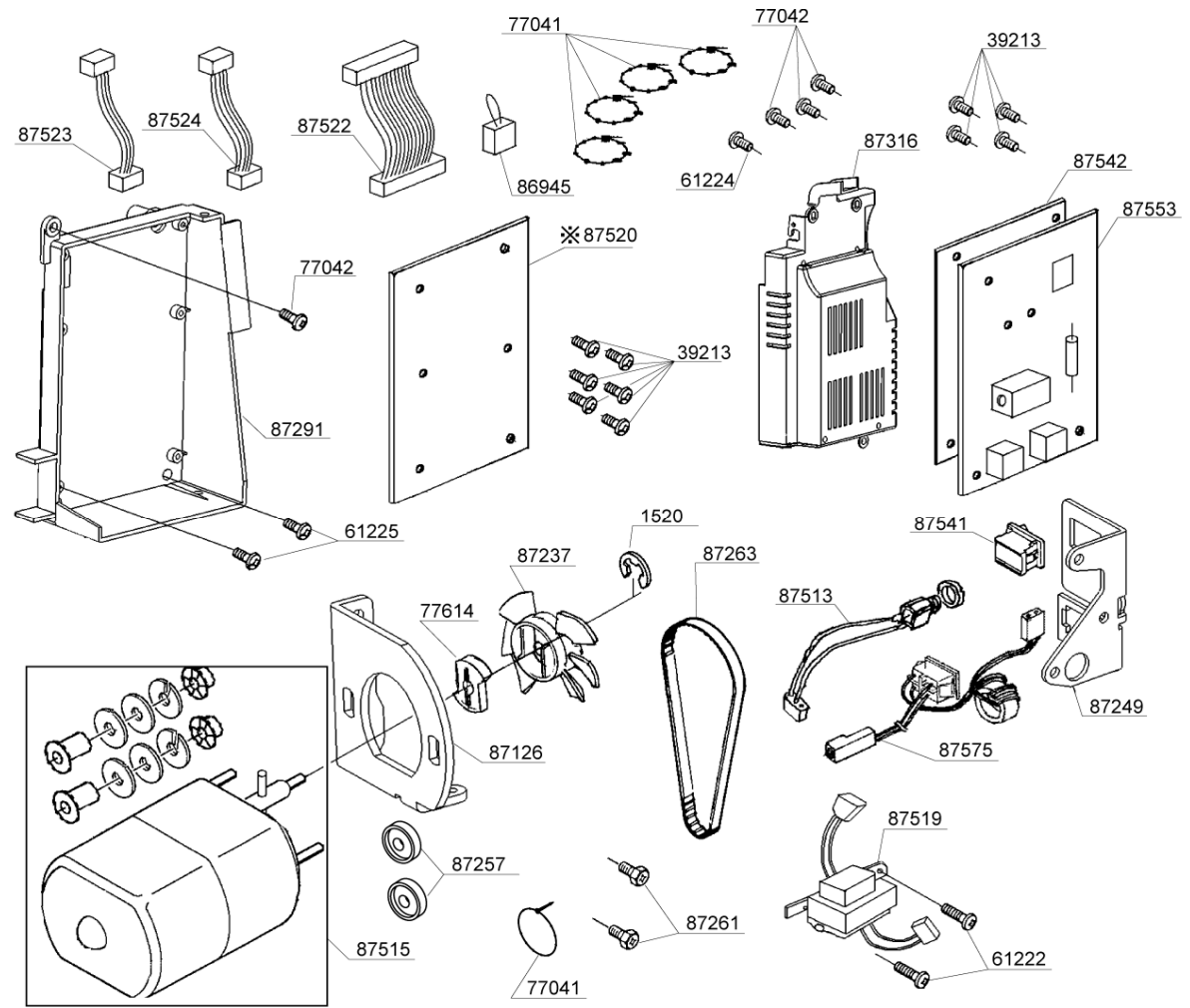


BUYER'S MODEL NO.	7442	SECTION	PAGE	REVISION	REMARKS
BUYER'S MODEL NAME	COSMO G-1,CB-1		<b>10-3</b>		
FACTORY MODEL	442x0				
ORIGINAL ISSUE	MARCH_2008	SERIAL NO.			

**230V**



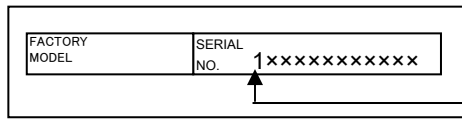
NOTE : PARTS NUMBER WITH ※ MARKS ARE FOR MACHINES SERIAL NUMBERS WITH



PART NO.	DESCRIPTION
1520	E3 CLIP-ON-WASHER
39213	M3 SCREW
61222	M4 PHILLIPS SCREW
61224	M4 PHILLIPS SCREW
61225	M4 PHILLIPS SCREW
77041	UNITY FASTENER
77042	M4 PHILLIPS SCREW
77614	GEAR CLUTCH
86945	JUMPER HARNESS
87126	MAIN MOTOR BRACKET
87237	MOTOR FAN
87249	SWITCH BRACKET
87257	BUSH
87261	CP BOLT
87263	DRIVING BELT
87291	CPU CIRCUIT BOARD BOX
87316	AC CIRCUIT BOARD BOX
87513	PIN-JACK HARNESS
87515	MAIN MOTOR
87519	TRANSFORMER
87522	13P CORD HARNESS
87523	4P CORD HARNESS
87524	5P CORD HARNESS
87541	SWITCH
87542	INSULATION SHEET
87553	CIRCUIT BOARD
87575	INLET HARNESS
※87520	CPU CIRCUIT BOARD

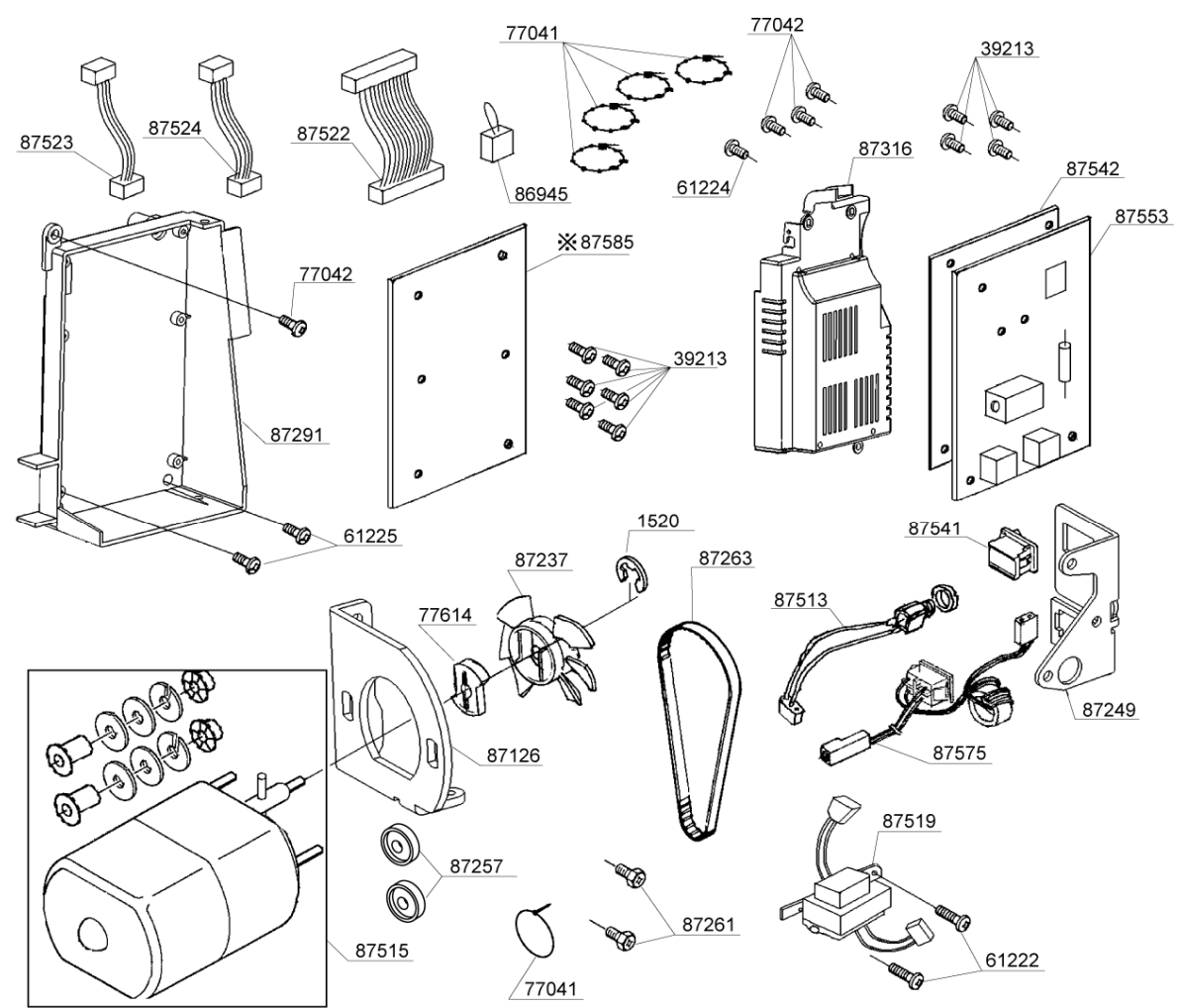
BUYER'S MODEL NO.	7442	SECTION	PAGE	REVISION	REMARKS
BUYER'S MODEL NAME	COSMO G-1,CB-1		<b>10-4</b>		
FACTORY MODEL	442x1 , 442x2				
ORIGINAL ISSUE	MARCH ,2008	SERIAL NO.			

**230V**



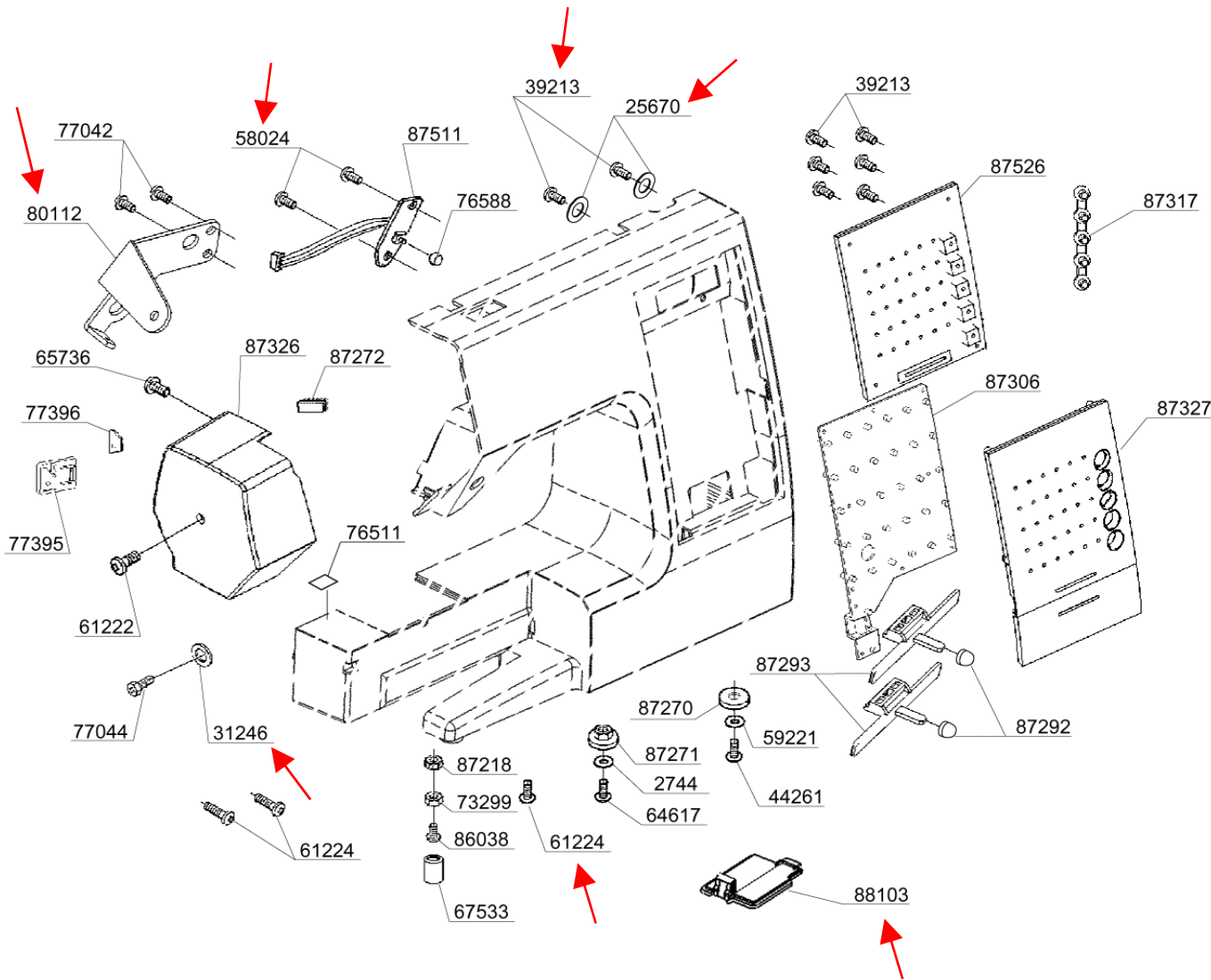
FIRST DIGIT  
1 OR 2

NOTE : PARTS NUMBER WITH ※ MARKS ARE FOR MACHINES SERIAL NUMBERS WITH "1"OR "2" AT FIRST DIGIT



PART NO.	DESCRIPTION
1520	E3 CLIP-ON-WASHER
39213	M3 SCREW
61222	M4 PHILLIPS SCREW
61224	M4 PHILLIPS SCREW
61225	M4 PHILLIPS SCREW
77041	UNITY FASTENER
77042	M4 PHILLIPS SCREW
77614	GEAR CLUTCH
86945	JUMPER HARNESS
87126	MAIN MOTOR BRACKET
87237	MOTOR FAN
87249	SWITCH BRACKET
87257	BUSH
87261	CP BOLT
87263	DRIVING BELT
87291	CPU CIRCUIT BOARD BOX
87316	AC CIRCUIT BOARD BOX
87513	PIN-JACK HARNESS
87515	MAIN MOTOR
87519	TRANSFORMER
87522	13P CORD HARNESS
87523	4P CORD HARNESS
87524	5P CORD HARNESS
87541	SWITCH
87542	INSULATION SHEET
87553	CIRCUIT BOARD
87575	INLET HARNESS
※87585	CPU CIRCUIT BOARD

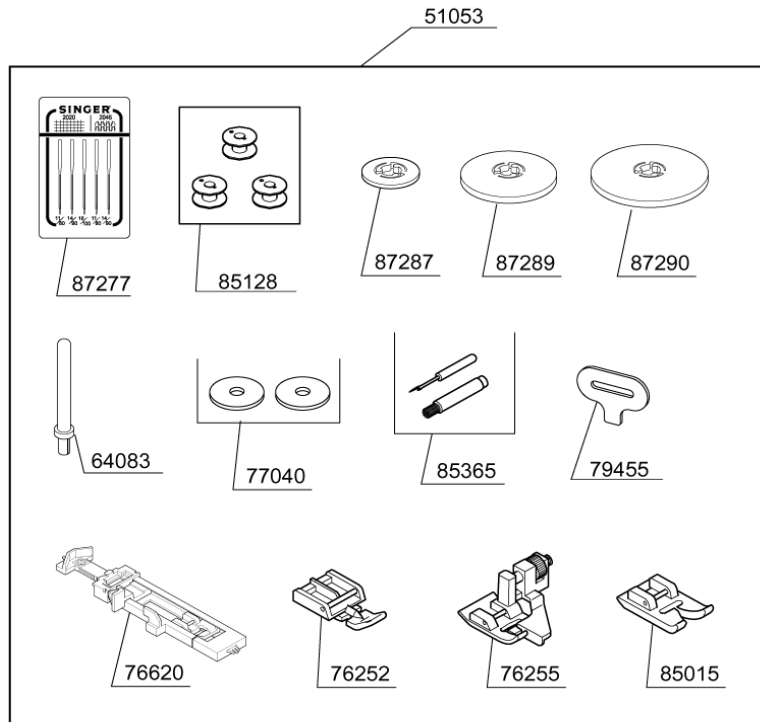
BUYER'S MODEL NO.	7442	SECTION		PAGE	11	REVISION	MARCH ,2008	REMARKS		PART NO.	DESCRIPTION
BUYER'S MODEL NAME	COSMO G-1,CB-1									2744	WASHER
FACTORY MODEL	442x0 , 442x1 , 442x2									25670	WASHER
ORIGINAL ISSUE	APRIL , 2005									31246	WASHER
										39213	M3 SCREW
										44261	M4 SCREW



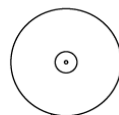
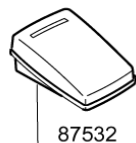
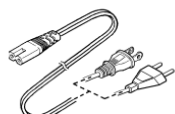
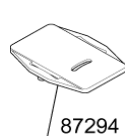
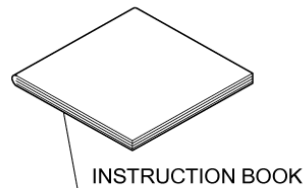
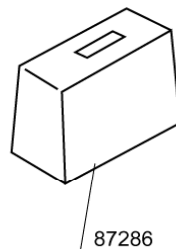
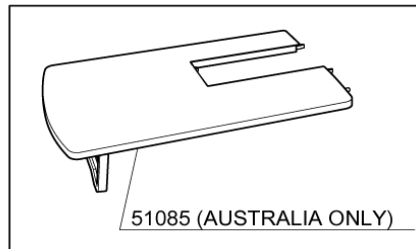
PART NO.	DESCRIPTION
2744	WASHER
25670	WASHER
31246	WASHER
39213	M3 SCREW
44261	M4 SCREW
58024	TAPPING SCREW
59221	WASHER
61222	M4 PHILLIPS SCREW
61224	M4 PHILLIPS SCREW
64617	TAPPING SCREW
65736	M4 PHILLIPS SCREW
67533	RUBBER CUSHION
73299	M4 TORQUE NUT
76511	SEAL
76588	BUTTON
77042	M4 PHILLIPS SCREW
77044	M3 PHILLIPS SCREW
77395	BLADE FIXTURE
77396	BLADE
80112	FACE COVER BRACKET
86038	STUD SCREW
87218	NUT
87270	RUBBER FOOT
87271	RUBBER FOOT
87272	BRUSH
87292	KNOB
87293	SLIDE LEVER
87306	LED PANEL
87317	BUTTON
87326	FACE COVER
87327	CONTROL PANEL
87511	SWITCH HARNESS
87526	SWITCH CIRCUIT BOARD
88103	COVER



BUYER'S MODEL NO.	7442	SECTION	PAGE	REVISION	REMARKS	PART NO.	DESCRIPTION
BUYER'S MODEL NAME	COSMO G-1,CB-1		<b>13</b>	MARCH ,2008		51039	ACCESSORY SET
FACTORY MODEL	442x0 , 442x1 , 442x2			MAY ,2008		51085	EXTENSION TABLE
ORIGINAL ISSUE	APRIL , 2005	SERIAL NO.				64083	SPOOL PIN



OPTIONAL OR STANDARD FOR LIMITED VERSION.



82185  
USA ONLY

- 85338 (UK,MALAYSIA ONLY)
- 85339 (230V)
- 85343 (AUSTRALIA ONLY)
- 85349 (KOREA ONLY)
- 85354 (CHINA ONLY)
- 87534 (120V)
- 87601 (BRAZIL ONLY)

PART NO.	DESCRIPTION
51039	ACCESSORY SET
51085	EXTENSION TABLE
64083	SPOOL PIN
76252	ZIPPER FOOT
76255	BLIND STITCH FOOT
76620	BUTTONHOLE FOOT
77040	SPOOL PIN DISC
77186	INSTRUCTION BOOK (Eng/Fre/Spa)
77249	INSTRUCTION BOOK (Ita/Dut/Ger)
79455	LARGE SCREW DRIVER
82020	INSTRUCTION BOOK (Russ)
85128	BOBBIN
85338	POWER CORD (UK ONLY)
85339	POWER CORD (230V)
85343	POWER CORD (AUSTRALIA ONLY)
85349	POWER CORD (KOREA ONLY)
85354	POWER CORD (CHINA ONLY)
85365	BUTTONHOLE OPENER / BRUSH
87275	SATIN FOOT
87277	NEEDLE SET
87286	VINYL COVER
87287	SPOOL PIN CAP (MINI)
87289	SPOOL PIN CAP (SMALL)
87290	SPOOL PIN CAP (LARGE)
87294	DARNING PLATE
87532	FOOT CONTROL (PIN-JACK TYPE)
87534	POWER CORD (120V)
87601	POWER CORD (BRAZIL ONLY)
82185	QUICK START GUIDE DVD (USA ONLY)