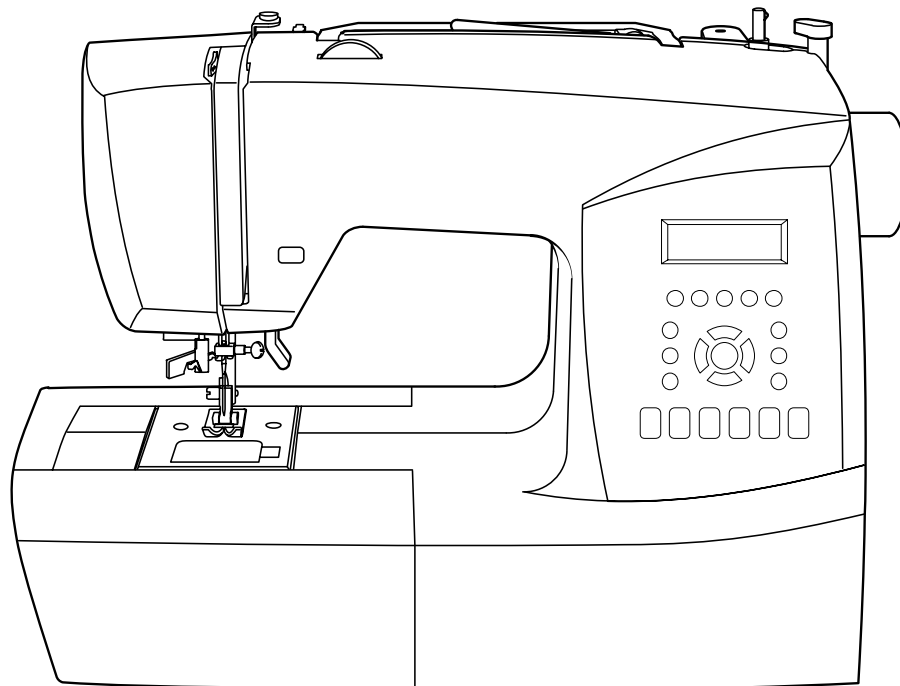


REFER TO IMPORTANT NOTICE BELOW

# PARTS LIST FOR MODEL 7430

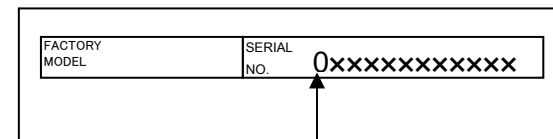


# SINGER®

### IMPORTANT:

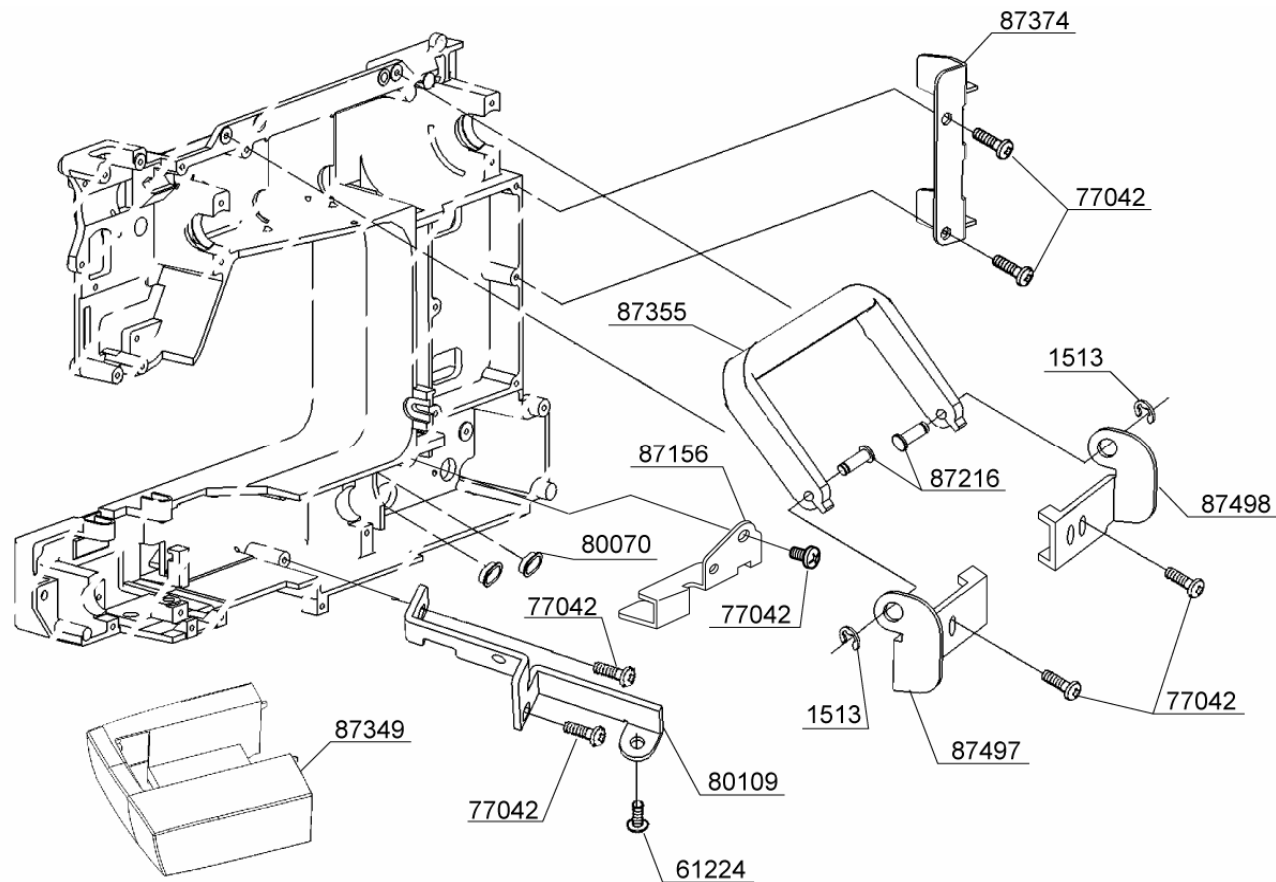
WHEN ORDERING THE PARTS ALWAYS CHECK THE SERIAL NUMBER OF THE MACHINE.

FIRST DIGIT OF THE SERIAL NUMBER MUST MATCH WITH THE LAST DIGIT OF THE FACTORY MODEL ABOVE.



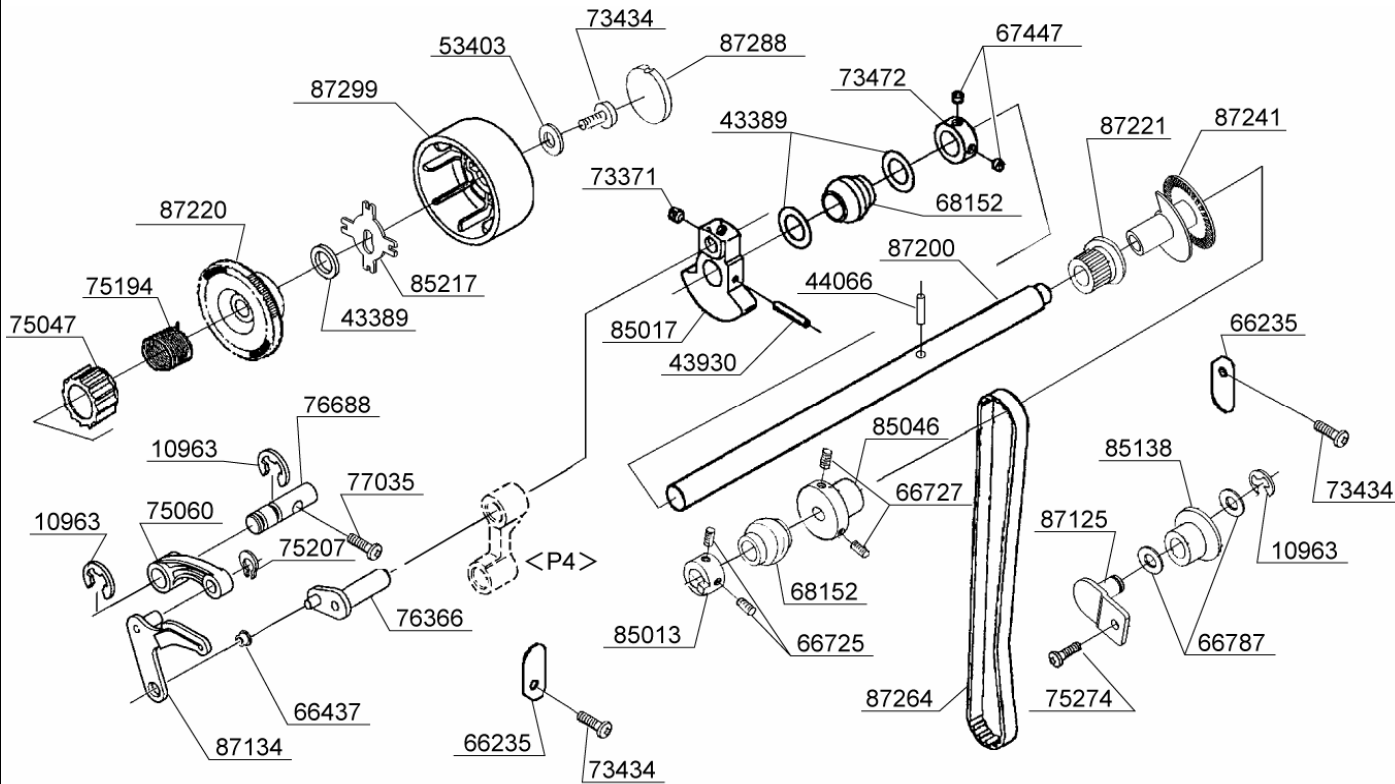
FIRST DIGIT

BUYER'S MODEL NO.	7430	SECTION	PAGE	REVISION	REMARKS	PART NO.	DESCRIPTION
BUYER'S MODEL NAME	COSMO J-1,CB-5A		<b>1</b>			1513	E4 CLIP-ON-WASHER
FACTORY MODEL	CA43060					61224	M4 PHILLIPS SCREW
						77042	M4 PHILLIPS SCREW
ORIGINAL ISSUE	SEPTEMBER , 2006	SERIAL NO.				80070	CORD GUIDE

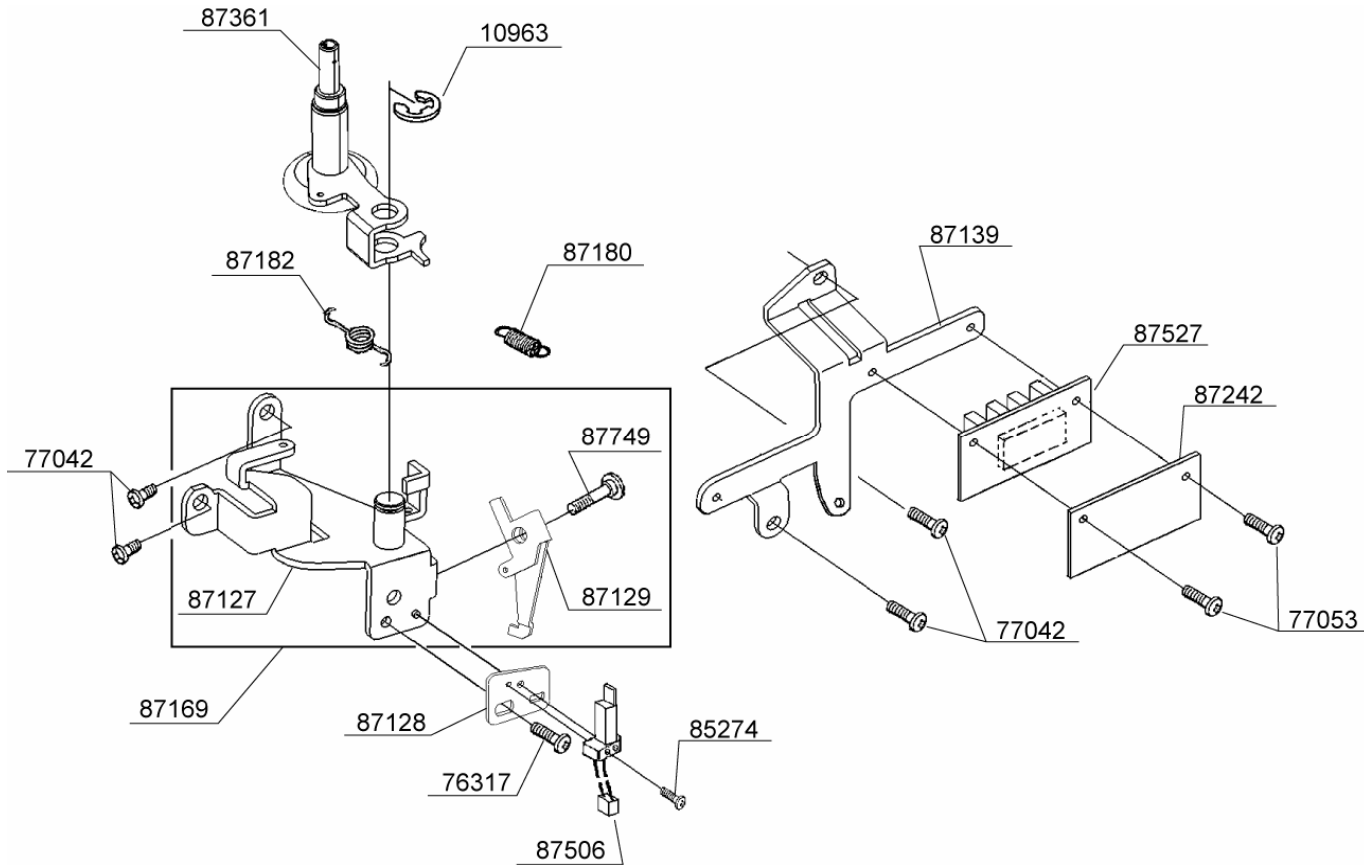


PART NO.	DESCRIPTION
1513	E4 CLIP-ON-WASHER
61224	M4 PHILLIPS SCREW
77042	M4 PHILLIPS SCREW
80070	CORD GUIDE
80109	BRACKET
87156	BRACKET
87216	PIN
87349	ACC. BOX
87355	HANDLE
87374	BRACKET
87497	HANDLE BRACKET ( L )
87498	HANDLE BRACKET ( R )

BUYER'S MODEL NO.	7430	SECTION	PAGE	REVISION	REMARKS	PART NO.	DESCRIPTION
BUYER'S MODEL NAME	COSMO J-1,CB-5A		<b>2</b>			10963	E6 CLIP-ON-WASHER
FACTORY MODEL	CA43060					43389	THRUST WASHER
ORIGINAL ISSUE	SEPTEMBER, 2006	SERIAL NO.				43930	SPRING PIN
						44066	SPRING PIN
						53403	WASHER
						66235	SECURING PLATE
						66437	BUSH
						66725	M4 SCREW
						66727	M4 SCREW
						66787	WASHER
						67447	M5 SCREW
						68152	BALL BUSH
						73371	M6 SCREW
						73434	M4 PHILLIPS SCREW
						73472	COLLAR
						75047	CLUTCH
						75060	TAKE-UP LEVER CRANK
						75194	TORSION SPRING
						75207	CS-CLIP
						75274	M4 PHILLIPS SCREW
						76366	CRANK SHAFT
						76688	SHAFT
						77035	M4 PHILLIPS SCREW
						85013	POSITIONING COLLAR
						85017	BALANCER
						85046	COLLAR
						85138	TENSION ROLLER
						85217	RETAINER
						87125	IDLER PULLEY BRACKET
						87134	TAKE-UP LEVER
						87200	MAIN SHAFT
						87220	BELT PULLEY
						87221	UPPER TIMING BELT GEAR
						87241	ENCODER
						87264	TIMING BELT
						87288	PULLEY CAP
						87299	PULLEY

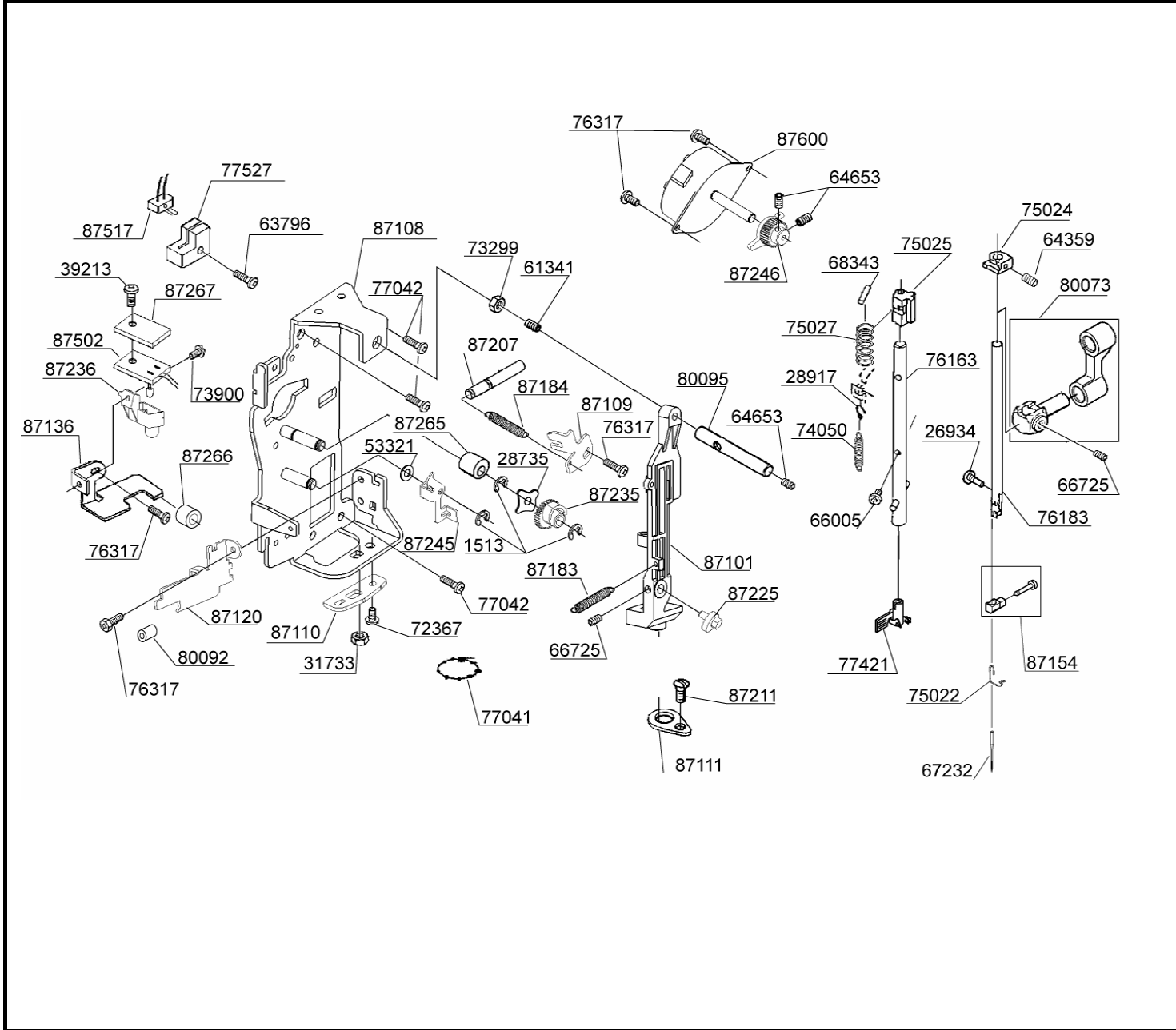


BUYER'S MODEL NO.	7430	SECTION	PAGE	REVISION	REMARKS	PART NO.	DESCRIPTION
BUYER'S MODEL NAME	COSMO J-1,CB-5A		<b>3</b>			10963	E6 CLIP-ON-WASHER
FACTORY MODEL	CA43060					76317	M3 PHILLIPS SCREW
						77042	M4 PHILLIPS SCREW
ORIGINAL ISSUE	SEPTEMBER, 2006	SERIAL NO.				77053	M3 PHILLIPS SCREW



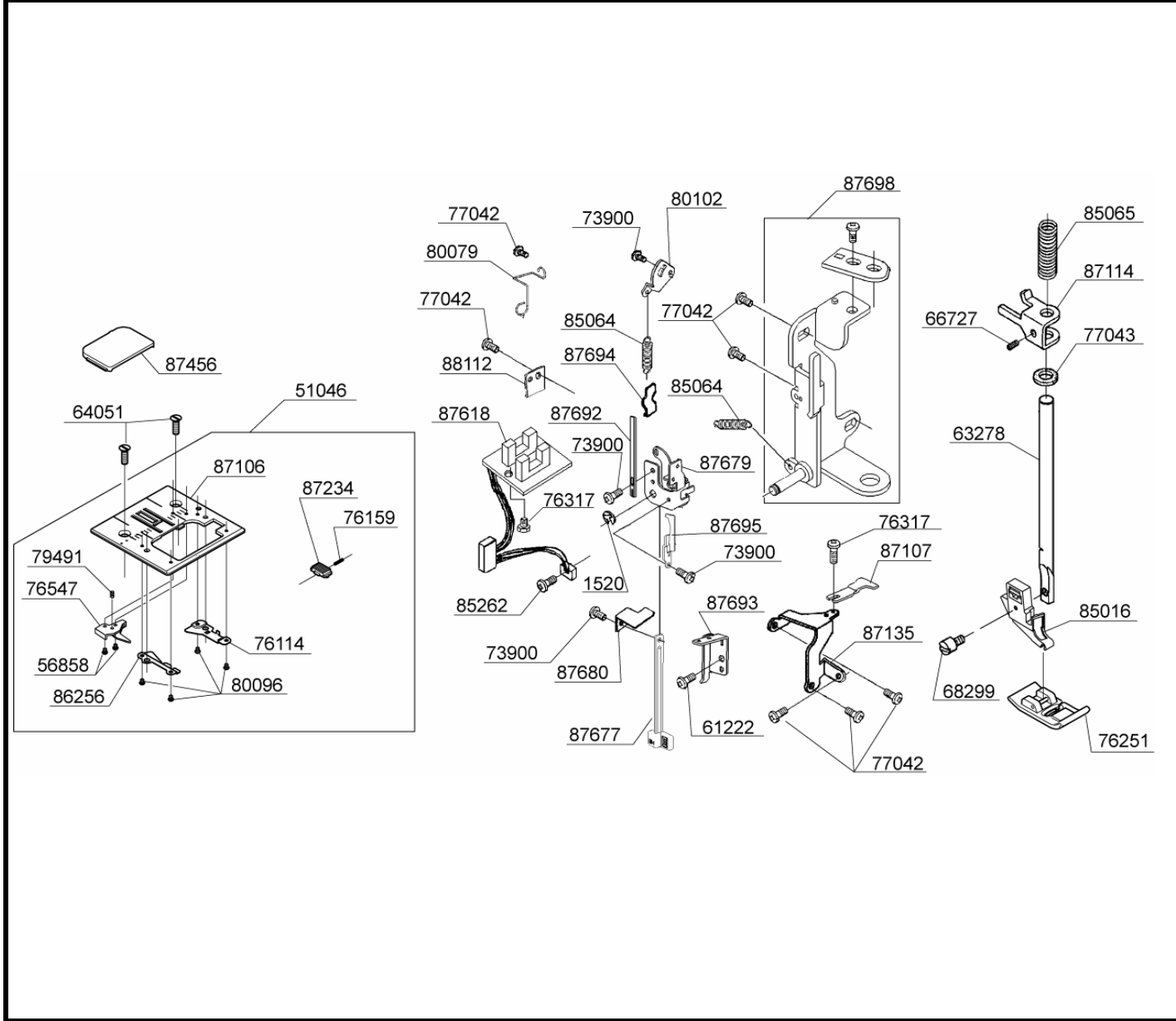
87127	BOBBIN WINDER BRACKET
87128	MOUNTING BRACKET
87129	RETAINER
87139	MOUNTING BRACKET
87169	BOBBIN WINDER BRACKET UNIT
87180	EXTENSION SPRING
87182	TORSION SPRING
87242	INSULATION SHEET
87361	BOBBIN WINDER UNIT
87506	SWITCH HARNESS
87527	PHOTO SENSOR CIRCUIT BOARD
87749	M3 SHOULDER SCREW

BUYER'S MODEL NO.	7430	SECTION	PAGE	REVISION	REMARKS	PART NO.	DESCRIPTION
BUYER'S MODEL NAME	COSMO J-1,CB-5A		<b>4</b>			1513	E4 CLIP-ON-WASHER
FACTORY MODEL	CA43060					26934	#8 SCREW
ORIGINAL ISSUE	SEPTEMBER, 2006	SERIAL NO.				28735	CRINKLE WASHER



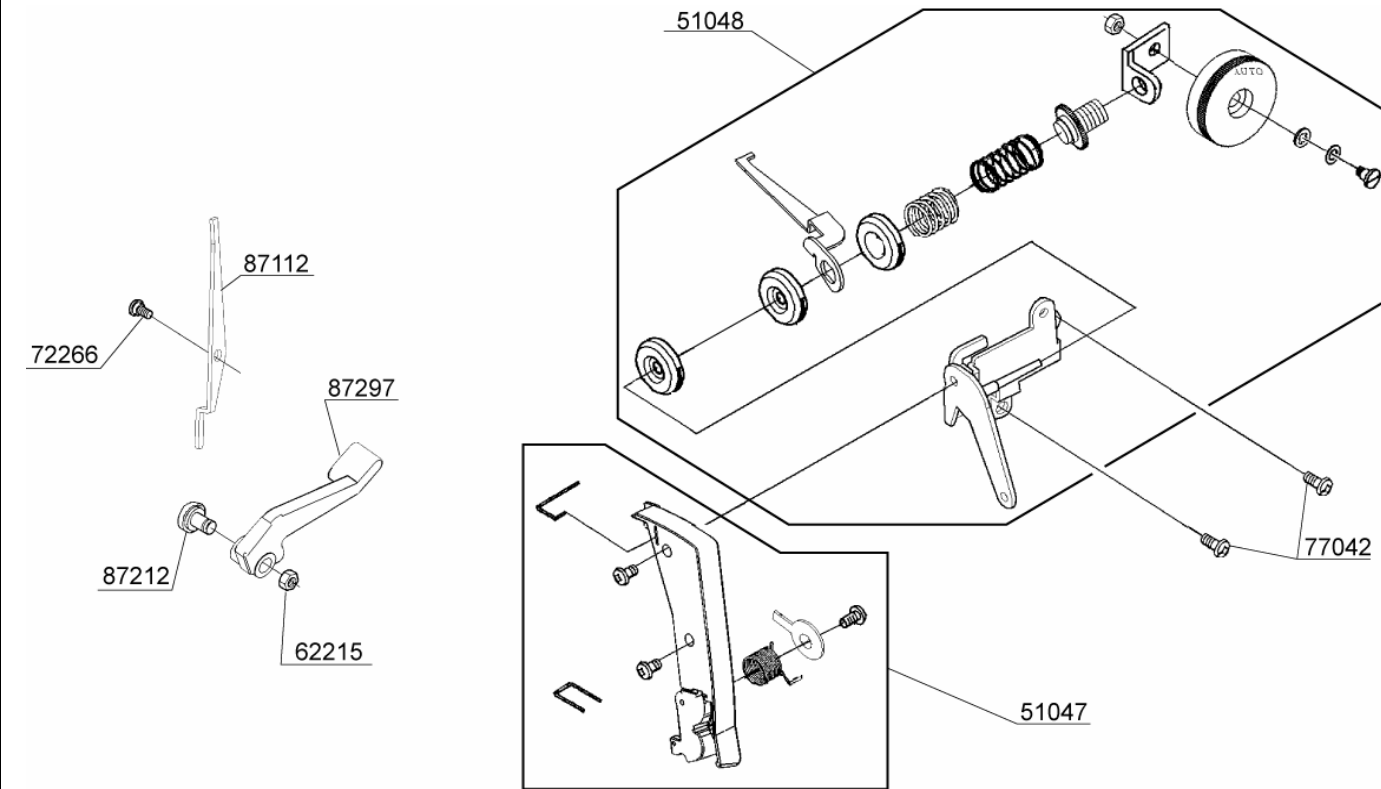
PART NO.	DESCRIPTION
1513	E4 CLIP-ON-WASHER
26934	#8 SCREW
28735	CRINKLE WASHER
28917	HOOK FOR SPRING
31733	M3 NUT
39213	M3 SCREW
53321	THRUST WASHER
61341	M4 SCREW
63796	M3 SCREW
64359	M4 SCREW
64653	M3 SCREW
66005	M2 PHILLIPS SCREW
66725	M4 SCREW
67232	NEEDLE
68343	PIN
72367	M4 CP SCREW
73299	M4 TORQUE NUT
73900	M3 PHILLIPS SCREW
74050	EXTENSION SPRING
75022	THREAD GUIDE
75024	STOPPER
75025	GUIDE BLOCK
75027	COMPRESSION SPRING
76163	THREADER SHAFT SET
76183	NEEDLE BAR
76317	M3 PHILLIPS SCREW
77041	UNITY FASTENER
77042	M4 PHILLIPS SCREW
77421	THREADER ASSEMBLY
77527	SENSOR COVER
80073	NEEDLE BAR CRANK SET
80092	VINYL TUBE
80095	STRAIGHT PIN
87101	NEEDLE BAR SUPPORT
87108	NEEDLE BAR SUPPORT BRACKET
87109	SECURING PLATE
87110	NEEDLE BAR ADJUSTING PLATE
87111	NEEDLE BAR SWING BRACKET
87120	THREAD GUIDE PLATE
87136	L-R LIMITER
87154	NEEDLE CLAMP SET
87183	SPRING
87184	SPRING
87207	STRAIGHT PIN
87211	M3 SCREW
87225	ECCENTRIC CAM
87235	ZIGZAG CAM WITH GEAR
87236	LED LIGHT COVER
87245	BELL CLANK FOR ZIGZAG
87246	PINION GEAR
87265	SPACER
87266	TUBE
87267	INSULATION SHEET
87502	LED LIGHT CIRCUIT BOARD
87517	SWITCH HARNESS FOR ZIGZAG
87600	STEPPING MOTOR

BUYER'S MODEL NO.	7430	SECTION	PAGE	REVISION	REMARKS	PART NO.	DESCRIPTION
BUYER'S MODEL NAME	COSMO J-1,CB-5A		<b>5</b>			1520	E3 CLIP-ON-WASHER
FACTORY MODEL	CA43060					51046	NEEDLE PLATE SET
ORIGINAL ISSUE	SEPTEMBER, 2006	SERIAL NO.				56858	M2 PHILLIPS SCREW



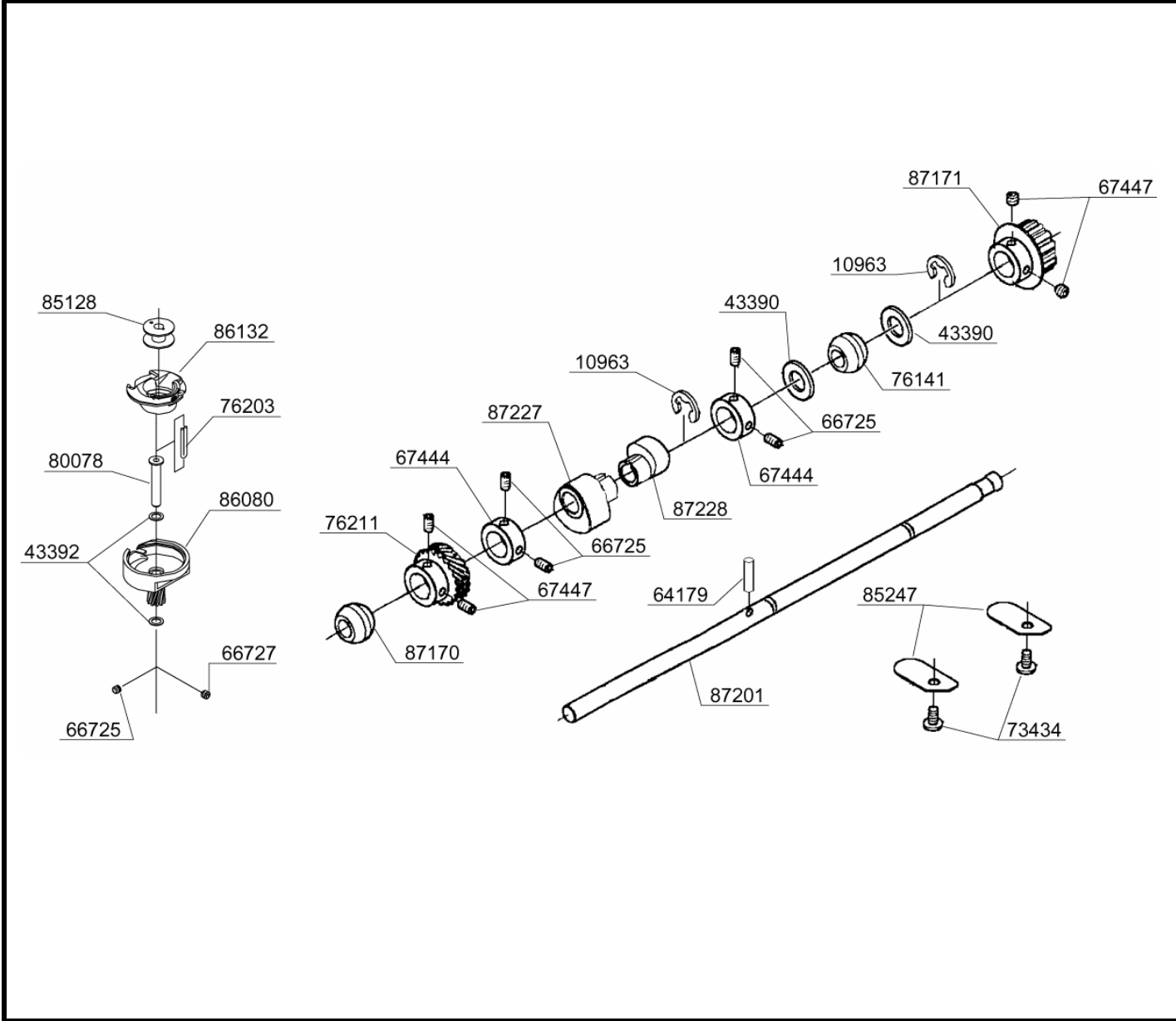
PART NO.	DESCRIPTION
1520	E3 CLIP-ON-WASHER
51046	NEEDLE PLATE SET
56858	M2 PHILLIPS SCREW
61222	M4 PHILLIPS SCREW
63278	PRESSER BAR
64051	M4 SCREW
66727	M4 SCREW
68299	#7 SCREW FOR SHANK
73900	M3 PHILLIPS SCREW
76114	COVER GUIDE (R)
76159	COMPRESSION LEVER
76251	ZIGZAG PRESSER FOOT
76317	M3 PHILLIPS SCREW
76547	THREAD CONTROL PLATE
77042	M4 PHILLIPS SCREW
77043	FELT
79491	SCREW
80079	CORD GUIDE
80093	M2 PHILLIPS SCREW
80096	M2 PHILLIPS SCREW
80102	CONTROL PLATE
85016	PRESSER FOOT HOLDER
85064	EXTENSION SPRING
85065	COMPRESSION SPRING
85262	M2 SCREW
86256	COVER GUIDE (L)
87106	NEEDLE PLATE
87107	BOBBIN CASE STOPPER
87114	PRESSURE BAR GUIDE
87135	BRACKET
87234	RELEASE LEVER
87456	NEEDLE COVER PLATE
87618	BH SWITCH HARNESS
87677	BH PLATE (A)
87679	BH PLATE (B)
87680	BH PLATE (C)
87692	BH LEAF
87693	BRACKET
87694	LEAF SPRING
87695	BH PLATE
87698	PRESSURE BAR BRACKET SET
88112	INSULATION SHEET

BUYER'S MODEL NO.	7430	SECTION	PAGE	REVISION	REMARKS	PART NO.	DESCRIPTION
BUYER'S MODEL NAME	COSMO J-1,CB-5A		<b>6</b>			51047	THREAD GUIDE PLATE ASSY
FACTORY MODEL	CA43060					51048	TENSION ASSY
ORIGINAL ISSUE	SEPTEMBER , 2006	SERIAL NO.				62215	M4 NUT
						72266	M4 STUD SCREW
						77042	M4 PHILLIPS SCREW



51047	THREAD GUIDE PLATE ASSY
51048	TENSION ASSY
62215	M4 NUT
72266	M4 STUD SCREW
77042	M4 PHILLIPS SCREW
87112	TENSION RELEASE LEVER
87212	M4 SCREW
87297	PRESSURE BAR LIFTER

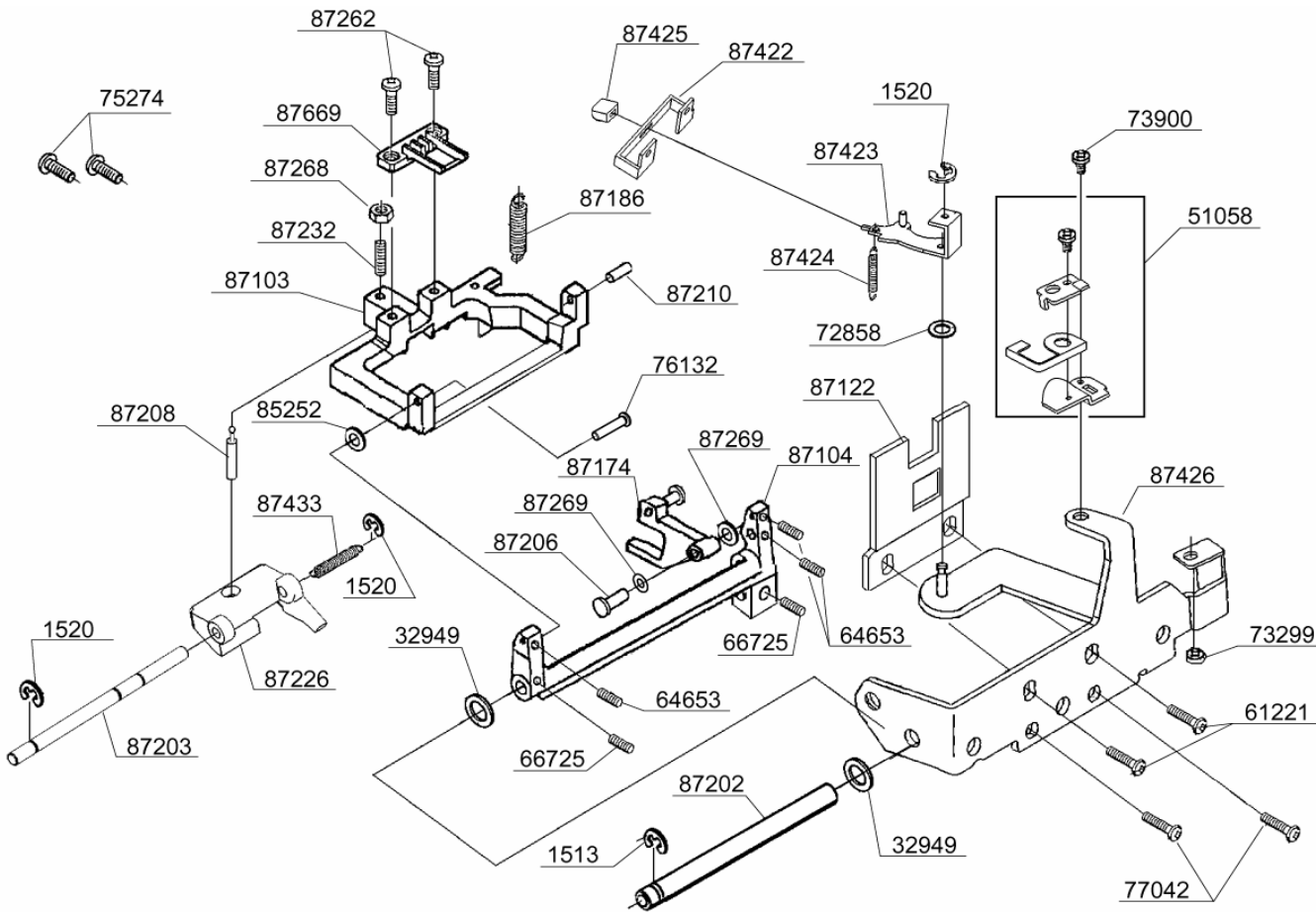
BUYER'S MODEL NO.	7430	SECTION	PAGE	REVISION	REMARKS	PART NO.	DESCRIPTION
BUYER'S MODEL NAME	COSMO J-1,CB-5A		<b>7</b>			10963	E6 CLIP-ON-WASHER
FACTORY MODEL	CA43060					43390	THRUST WASHER
						43392	THRUST WASHER
ORIGINAL ISSUE	SEPTEMBER, 2006			SERIAL NO.		64179	SPRING PIN



66725	M4 SCREW
66727	M4 SCREW
67444	COLLAR
67447	M5 SCREW
73434	M4 PHILLIPS SCREW
76141	BALL METAL
76203	OILING CORD
76211	BEVEL GEAR
80078	SHUTTLE RACE SHAFT
85128	BOBBIN
85247	SECURING PLATE
86080	SHUTTLE RACE
86132	BOBBIN CASE
87170	BALL METAL
87171	TIMING BELT GEAR (LOWER)
87201	LOWER STRAIGHT SHAFT
87227	LIFTING CAM
87228	FEED CAM

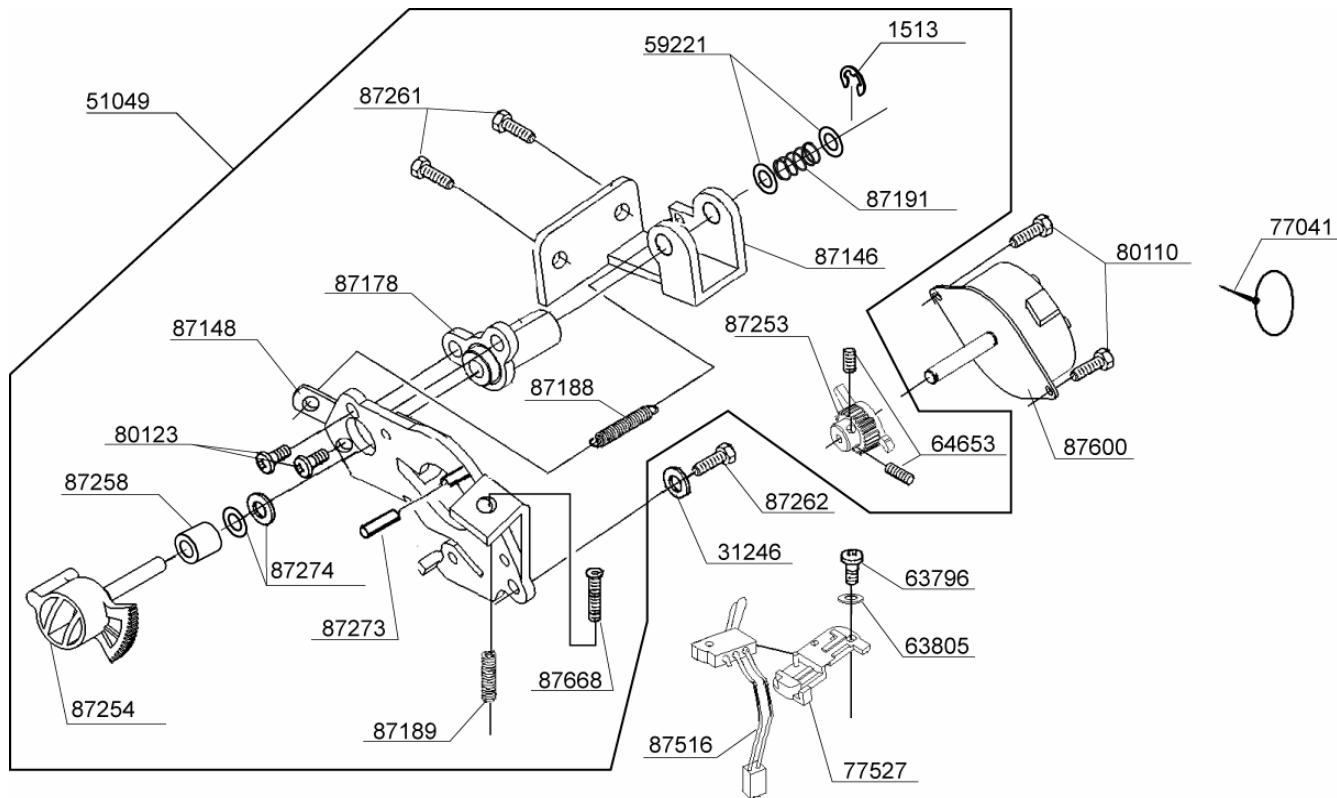


BUYER'S MODEL NO.	7430	SECTION	PAGE	REVISION	REMARKS	PART NO.	DESCRIPTION
BUYER'S MODEL NAME	COSMO J-1,CB-5A		<b>8</b>			1513	E4 CLIP-ON-WASHER
FACTORY MODEL	CA43060					1520	E3 CLIP-ON-WASHER
ORIGINAL ISSUE	SEPTEMBER, 2006	SERIAL NO.				32949	WASHER



PART NO.	DESCRIPTION
1513	E4 CLIP-ON-WASHER
1520	E3 CLIP-ON-WASHER
32949	WASHER
51058	RETAINER SET
61221	M4 PHILLIPS SCREW
64653	M3 SCREW
66725	M4 SCREW
72858	WASHER
73299	M4 TORQUE NUT
73900	M3 PHILLIPS SCREW
75274	M4 PHILLIPS SCREW
76132	SHAFT
77042	M4 PHILLIPS SCREW
85252	WASHER
87103	FEED DOG BASE
87104	FEED DOG BASE SUPPORT
87122	SUPPORT PLATE
87174	FORKED CRANK
87186	TORSION SPRING
87202	SHAFT
87203	SHAFT
87206	PIN
87208	BALL HEADED PIN
87210	PIN
87226	VERTICAL FEED BLOCK
87232	M6 STUD SCREW
87262	M3 CP SCREW
87268	M6 NUT
87269	WASHER
87422	DROP GUIDE
87423	DROP LEVER
87424	TORSION SPRING
87425	DROP KNOB
87426	SECURING BRACKET
87433	TORSION SPRING
87669	FEED DOG

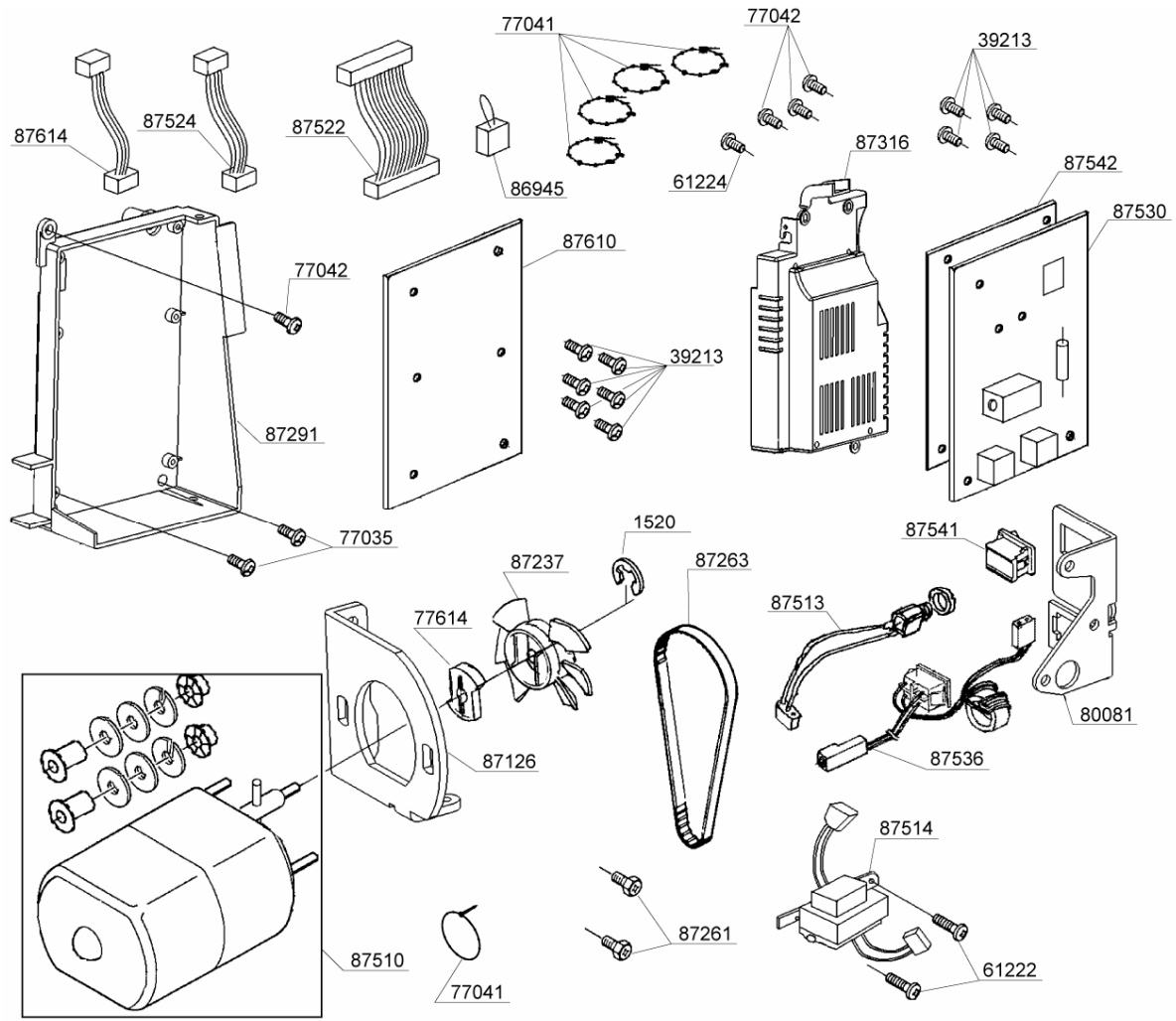
BUYER'S MODEL NO.	7430	SECTION	PAGE	REVISION	REMARKS	PART NO.	DESCRIPTION
BUYER'S MODEL NAME	COSMO J-1,CB-5A		9			1513	E4 CLIP-ON-WASHER
FACTORY MODEL	CA43060					31246	WASHER
ORIGINAL ISSUE	SEPTEMBER, 2006	SERIAL NO.				51049	FEED REGULATOR UNIT



1513	E4 CLIP-ON-WASHER
31246	WASHER
51049	FEED REGULATOR UNIT
59221	WASHER
63796	M3 SCREW
63805	WASHER
64653	M3 SCREW
77041	UNITY FASTENER
77527	SENSOR COVER
80110	M3 PHILLIPS SCREW
80123	M3 PHILLIPS SCREW
87146	BRACKET
87148	STEPPING MOTOR BRACKET
87178	FEED REGULATOR SHAFT METAL BUSH
87188	EXTENSION SPRING
87189	COMPRESSION SPRING
87191	COMPRESSION SPRING
87253	PINION GEAR
87254	FEED REGULATOR
87258	COLLAR
87261	CP BOLT
87262	M3 CP SCREW
87273	PIN
87274	WASHER
87516	SWITCH HARNESS
87600	STEPPING MOTOR
87668	M4 BOLT

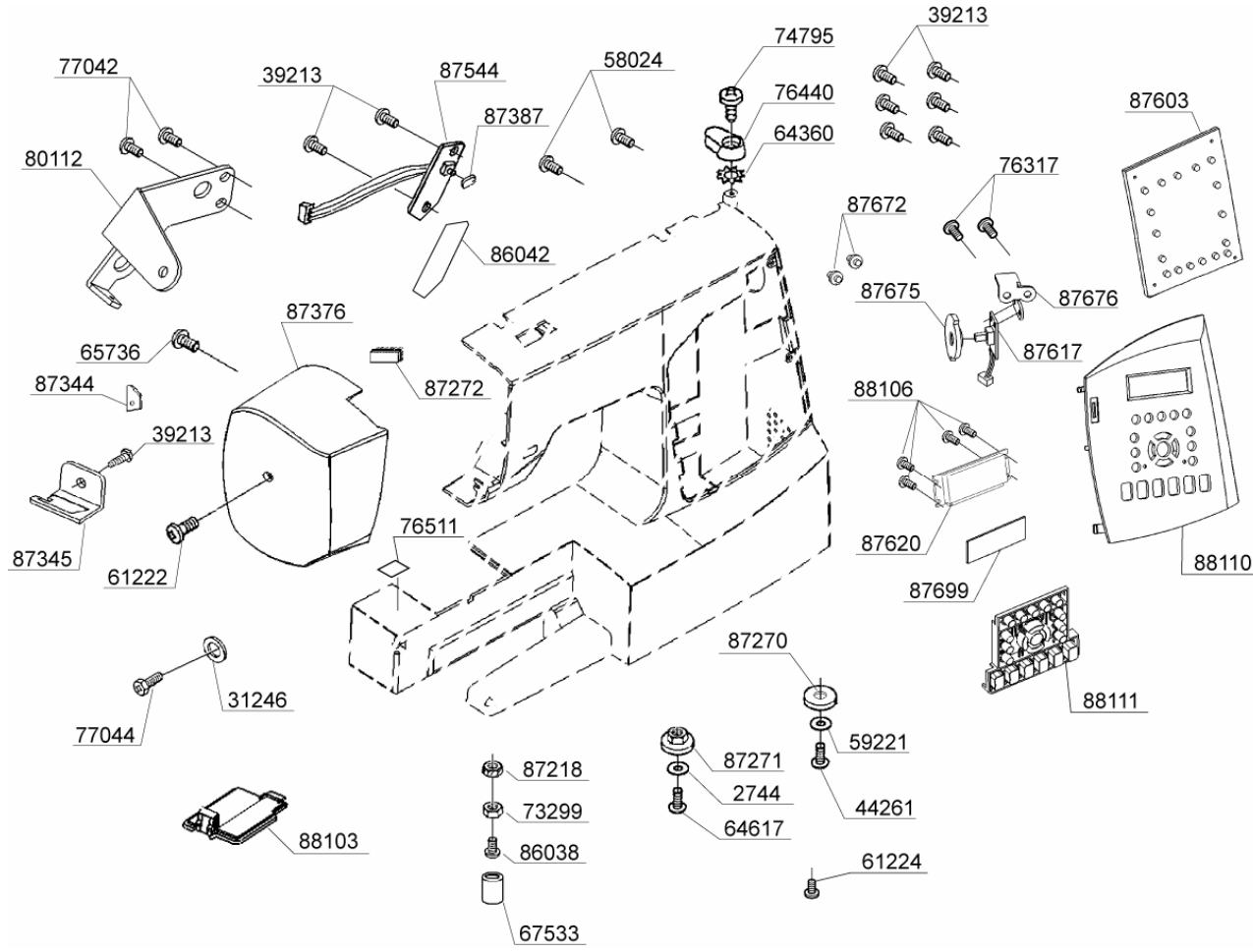
BUYER'S MODEL NO.	7430	SECTION	PAGE	REVISION	REMARKS	PART NO.	DESCRIPTION
BUYER'S MODEL NAME	COSMO J-1,CB-5A		<b>10</b>			1520	E3 CLIP-ON-WASHER
FACTORY MODEL	CA43060					39213	M3 SCREW
ORIGINAL ISSUE	SEPTEMBER, 2006	SERIAL NO.				61222	M4 PHILLIPS SCREW
						61224	M4 PHILLIPS SCREW
						77035	M4 PHILLIPS SCREW

**120V**



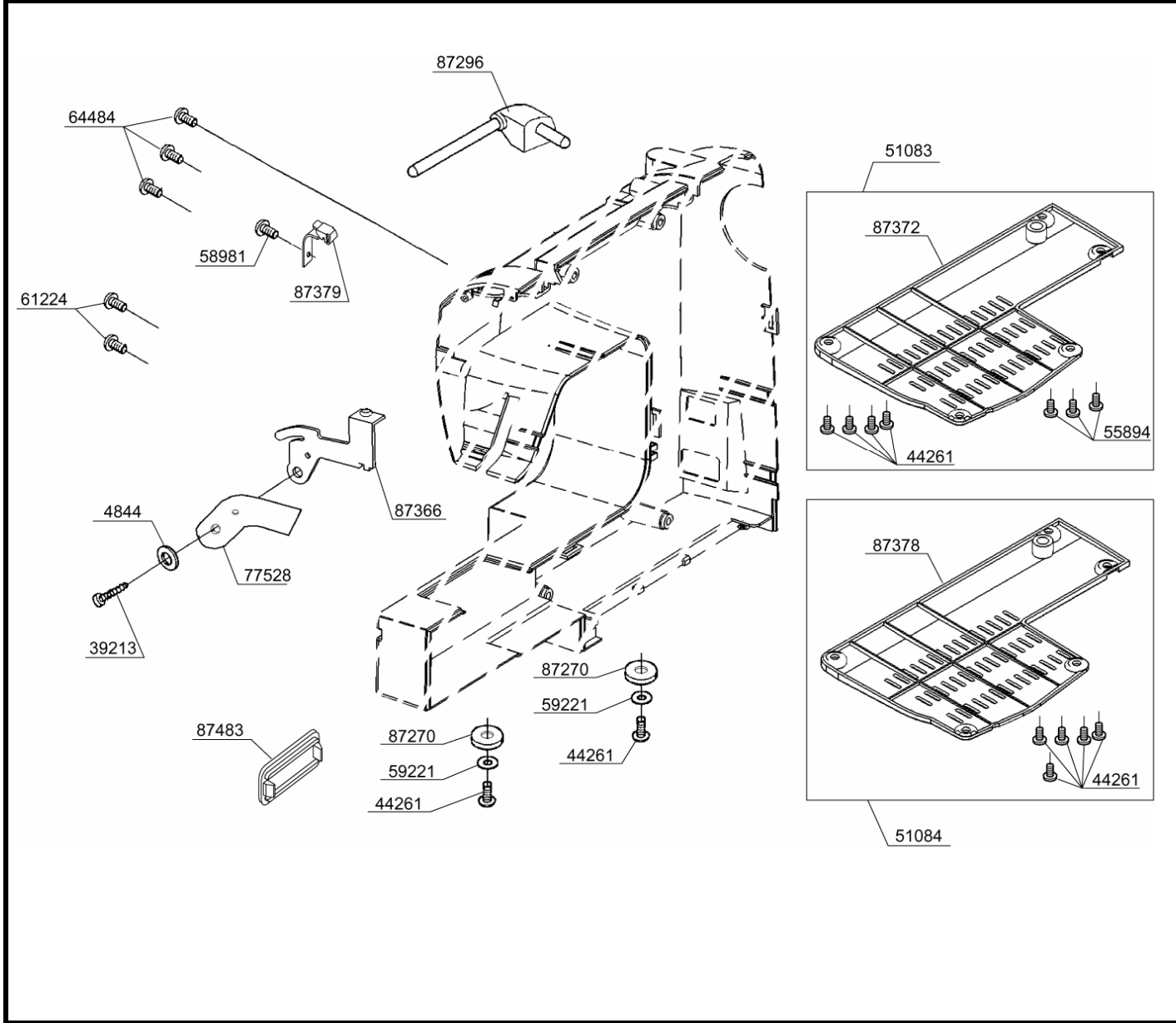
PART NO.	DESCRIPTION
1520	E3 CLIP-ON-WASHER
39213	M3 SCREW
61222	M4 PHILLIPS SCREW
61224	M4 PHILLIPS SCREW
77035	M4 PHILLIPS SCREW
77041	UNITY FASTENER
77042	M4 PHILLIPS SCREW
77614	GEAR CLUTCH
80081	SWITCH BRACKET
86945	JUMPER HARNESS
87126	MAIN MOTOR BRACKET
87237	MOTOR FAN
87261	CP BOLT
87263	DRIVING BELT
87291	CPU CIRCUIT BOARD BOX
87316	AC CIRCUIT BOARD BOX
87510	MAIN MOTOR
87513	PIN-JACK HARNESS
87514	TRANSFORMER
87522	13P CORD HARNESS
87524	5P CORD HARNESS
87530	CIRCUIT BOARD
87536	INLET HARNESS
87541	SWITCH
87542	INSULATION SHEET
87610	CPU CIRCUIT BOARD
87614	CORD HARNESS
87515	MAIN MOTOR, 240 Volt

BUYER'S MODEL NO.	7430	SECTION	PAGE	REVISION	REMARKS	PART NO.	DESCRIPTION
BUYER'S MODEL NAME	COSMO J-1,CB-5A		<b>11</b>			2744	WASHER
FACTORY MODEL	CA43060					31246	WASHER
ORIGINAL ISSUE	SEPTEMBER, 2006	SERIAL NO.				39213	M3 SCREW



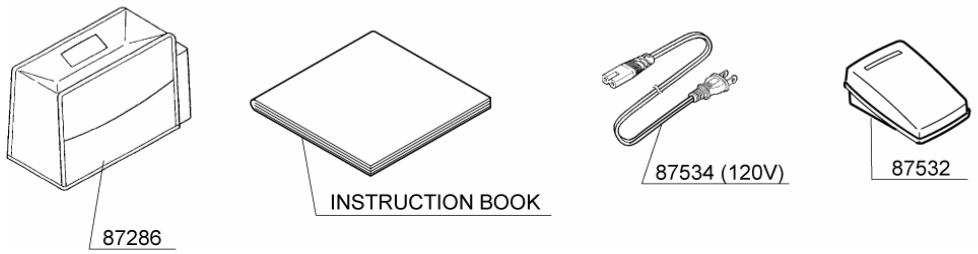
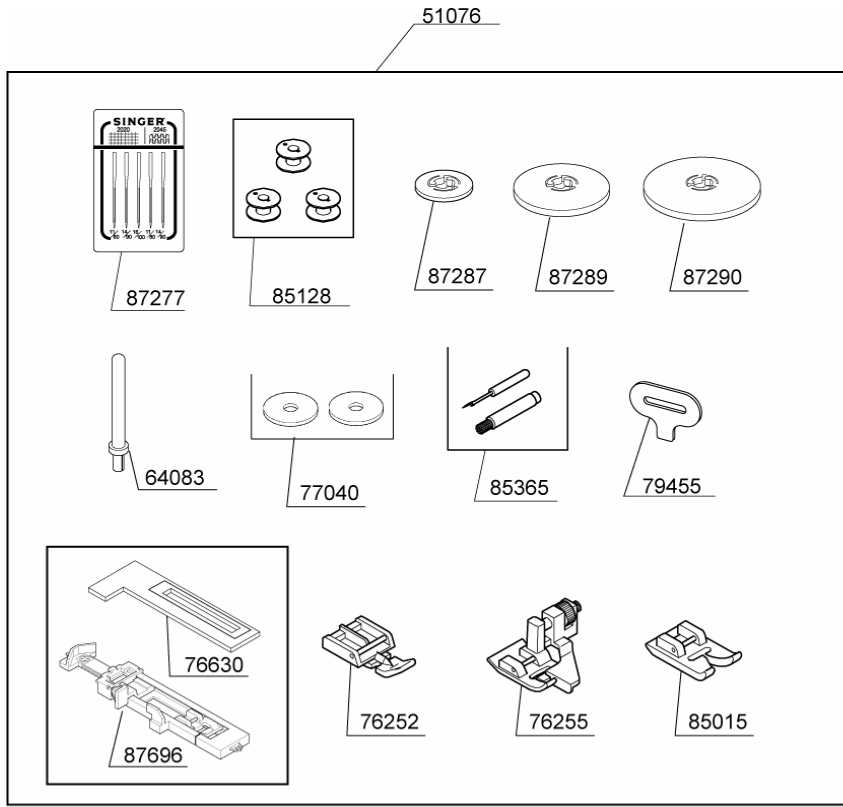
44261	M4 SCREW
58024	TAPPING SCREW
59221	WASHER
61222	M4 PHILLIPS SCREW
61224	M4 PHILLIPS SCREW
64360	TOOTHED WASHER
64617	TAPPING SCREW
65736	M4 PHILLIPS SCREW
67533	RUBBER CUSHION
73299	M4 TORQUE NUT
74795	TAPPING SCREW
76317	M3 SCREW
76440	BOBBIN WINDER LATCH
76511	SEAL
77042	M4 PHILLIPS SCREW
77044	M3 PHILLIPS SCREW
80112	FACE COVER BRACKET
86038	STUD SCREW
86042	INSULATION SHEET
87218	NUT
87270	RUBBER FOOT
87271	RUBBER FOOT
87272	BRUSH
87344	BLADE
87345	BLADE FIXTURE
87376	FACE COVER
87387	BUTTON
87544	SWITCH HARNESS
87603	SWITCH CIRCUIT BOARD
87617	CIRCUIT HARNESS
87620	LCD UNIT
87672	LED PANEL
87675	CONTRAST KNOB
87676	BRACKET
87699	PROTECTOR FOR LED
88103	COVER
88106	TAPPING SCREW
88110	CONTROL PANEL
88111	PATTERN SWITCH

BUYER'S MODEL NO.	7430	SECTION	PAGE	REVISION	REMARKS	PART NO.	DESCRIPTION
BUYER'S MODEL NAME	COSMO J-1,CB-5A		<b>12</b>			4844	WASHER
FACTORY MODEL	CA43060					39213	M3 SCREW
ORIGINAL ISSUE	SEPTEMBER, 2006	SERIAL NO.				44261	M4 SCREW
						55894	TAPPING SCREW
						58981	TAPPING SCREW



PART NO.	DESCRIPTION
4844	WASHER
39213	M3 SCREW
44261	M4 SCREW
55894	TAPPING SCREW
58981	TAPPING SCREW
59221	WASHER
61224	M4 PHILLIPS SCREW
64484	TAPPING SCREW
76274	SPACER
77528	SPRING PLATE
87270	RUBBER FOOT
87296	SPOOL PIN UNIT
87366	TENSION PLATE
87372	BOTTOM COVER
87379	RETAINER
87378	BOTTOM COVER
51083	BOTTOM COVER SET
51084	BOTTOM COVER SET (Sub. for 51083)

BUYER'S MODEL NO.	7430	SECTION	PAGE	REVISION	REMARKS	PART NO.	DESCRIPTION
BUYER'S MODEL NAME	COSMO J-1,CB-5A		<b>13</b>			51076	ACCESSORY SET
FACTORY MODEL	CA43060					64083	SPOOL PIN
ORIGINAL ISSUE	SEPTEMBER, 2006	SERIAL NO.				76252	ZIPPER FOOT



PART NO.	DESCRIPTION
51076	ACCESSORY SET
64083	SPOOL PIN
76252	ZIPPER FOOT
76255	BLIND STITCH FOOT
76630	BUTTONHOLE PLATE
77040	SPOOL PIN DISC
79455	LARGE SCREW DRIVER
82034	INSTRUCTION BOOK (Eng/Fre/Spa)
85015	SATIN FOOT
85128	BOBBIN
85365	BUTTONHOLE OPENER / BRUSH
87277	NEEDLE SET
87286	VINYL COVER
87287	SPOOL PIN CAP (MINI)
87289	SPOOL PIN CAP (SMALL)
87290	SPOOL PIN CAP (LARGE)
87532	FOOT CONTROL (PIN-JACK TYPE)
87534	POWER CORD (120V)
87696	BUTTONHOLE FOOT