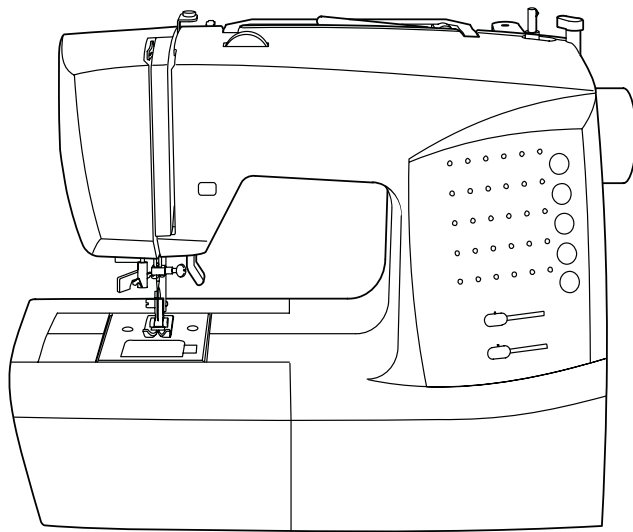


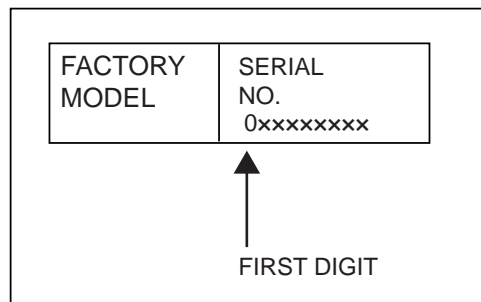


**SINGER** | Advance™

7422



Liste de pièces  
Lista de Piezas  
Parts List



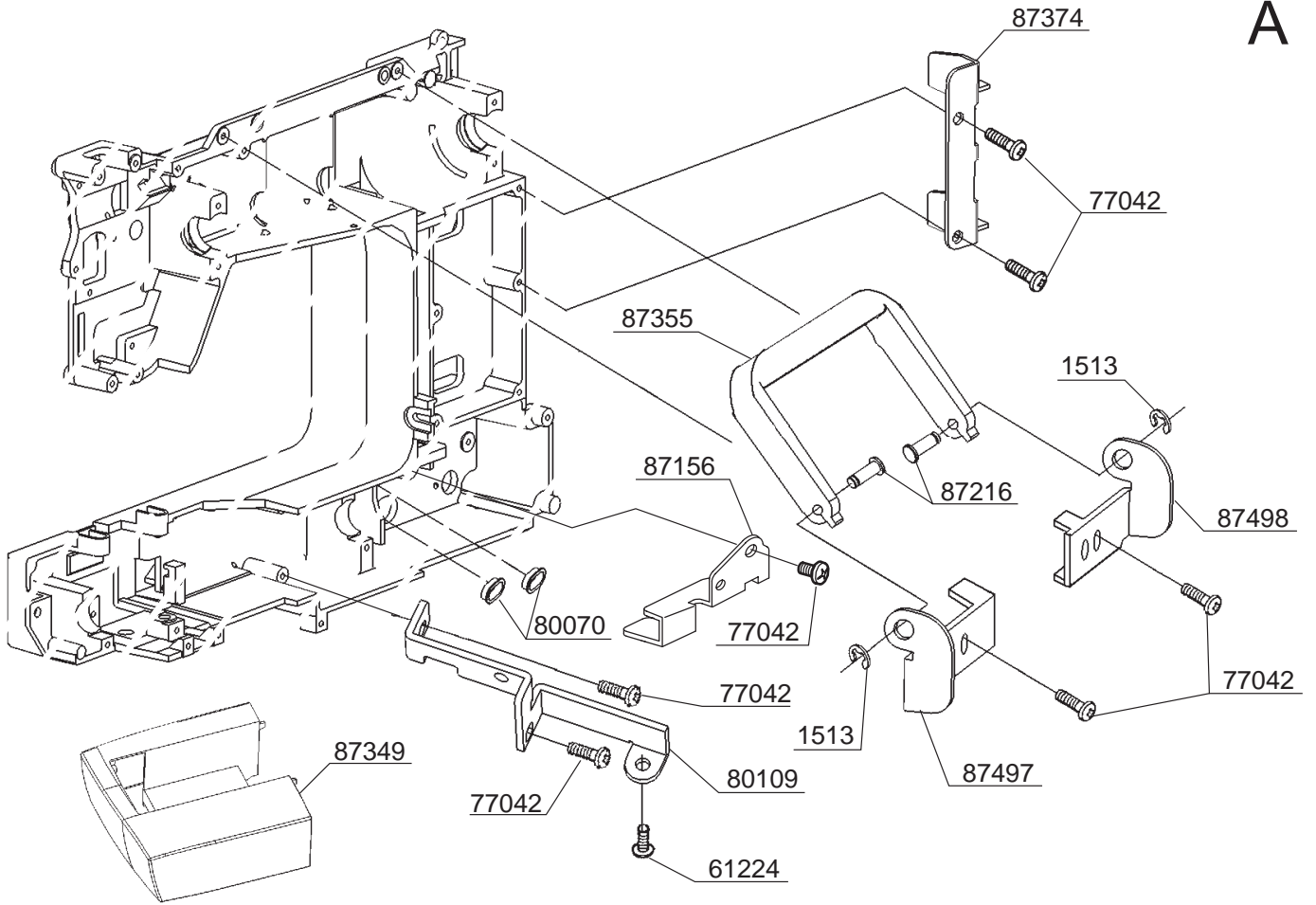
**IMPORTANT:**

WHEN ORDERING THE PARTS ALWAYS CHECK THE SERIAL NUMBER OF THE MACHINE.

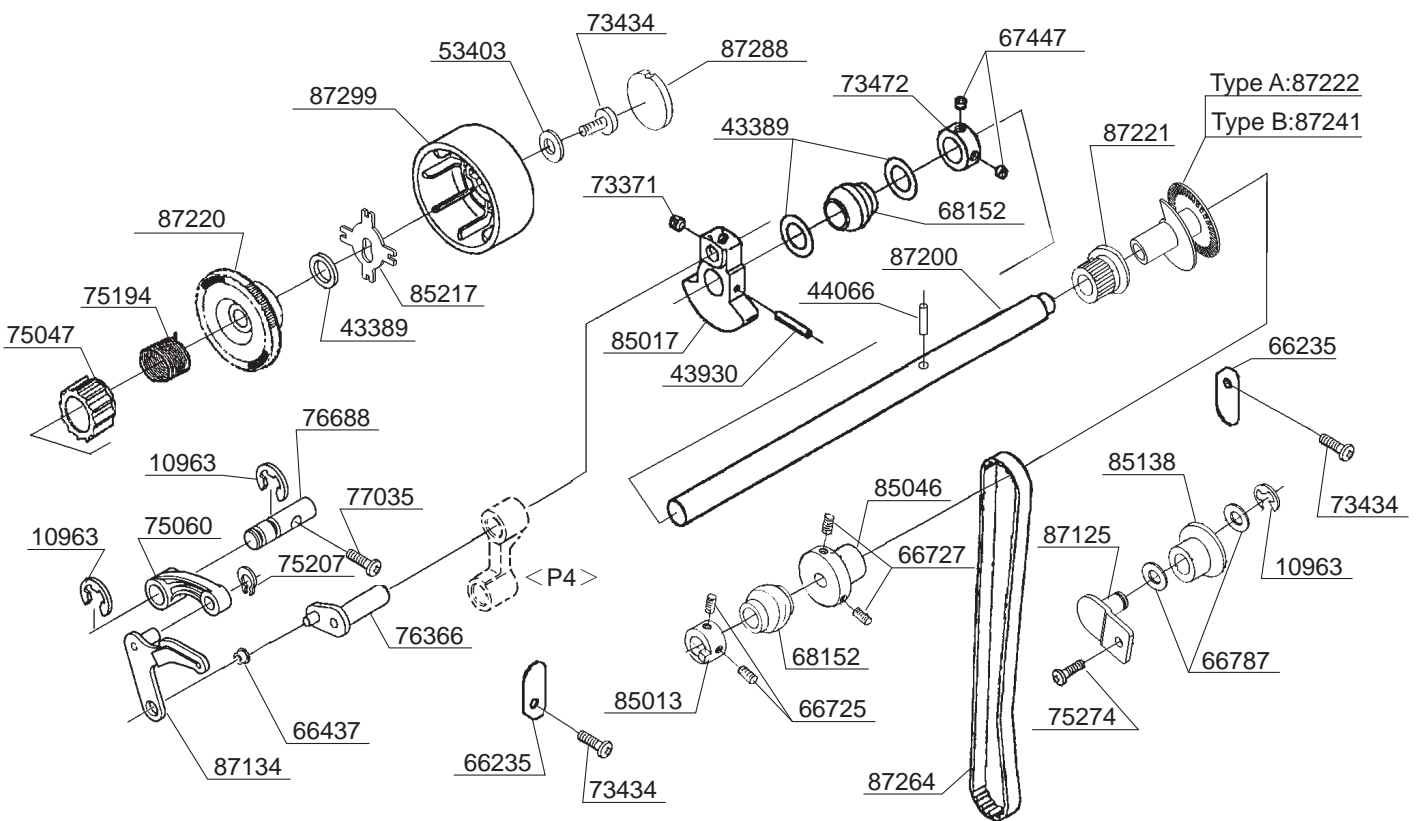
FIRST DIGIT OF THE SERIAL NUMBER MUST MATCH WITH THE LAST DIGIT OF THE FACTOR MODEL BELOW.

FACTORY MODEL 422x0 , 422x1 , 422x2

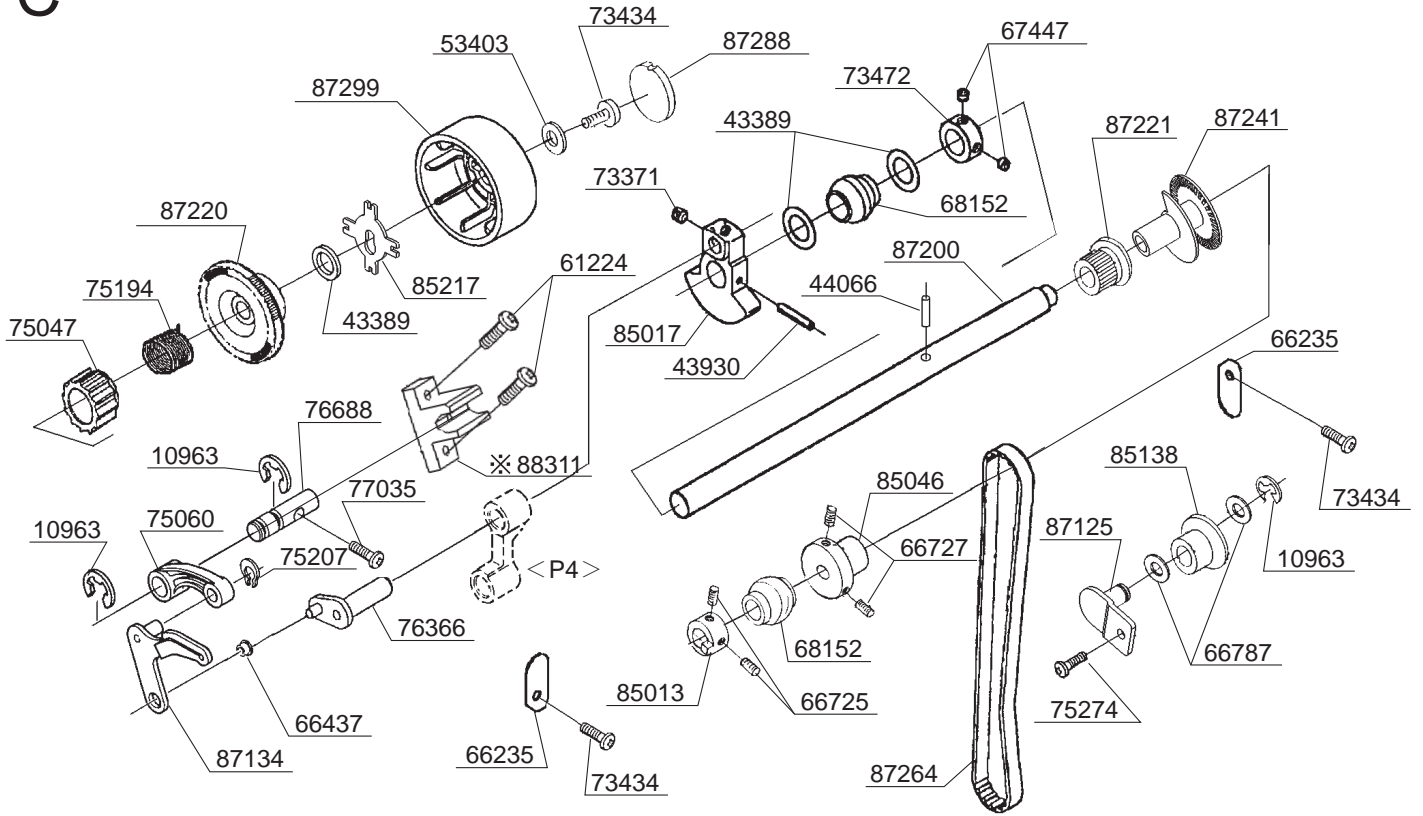
A



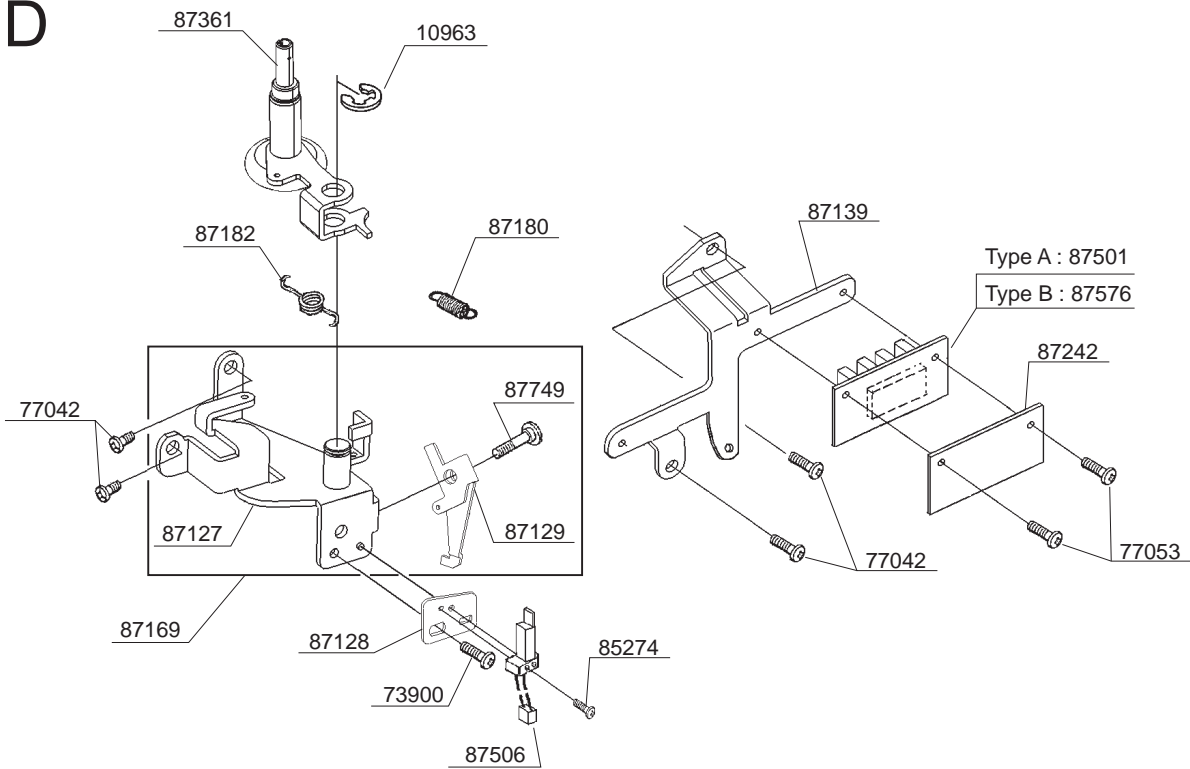
B

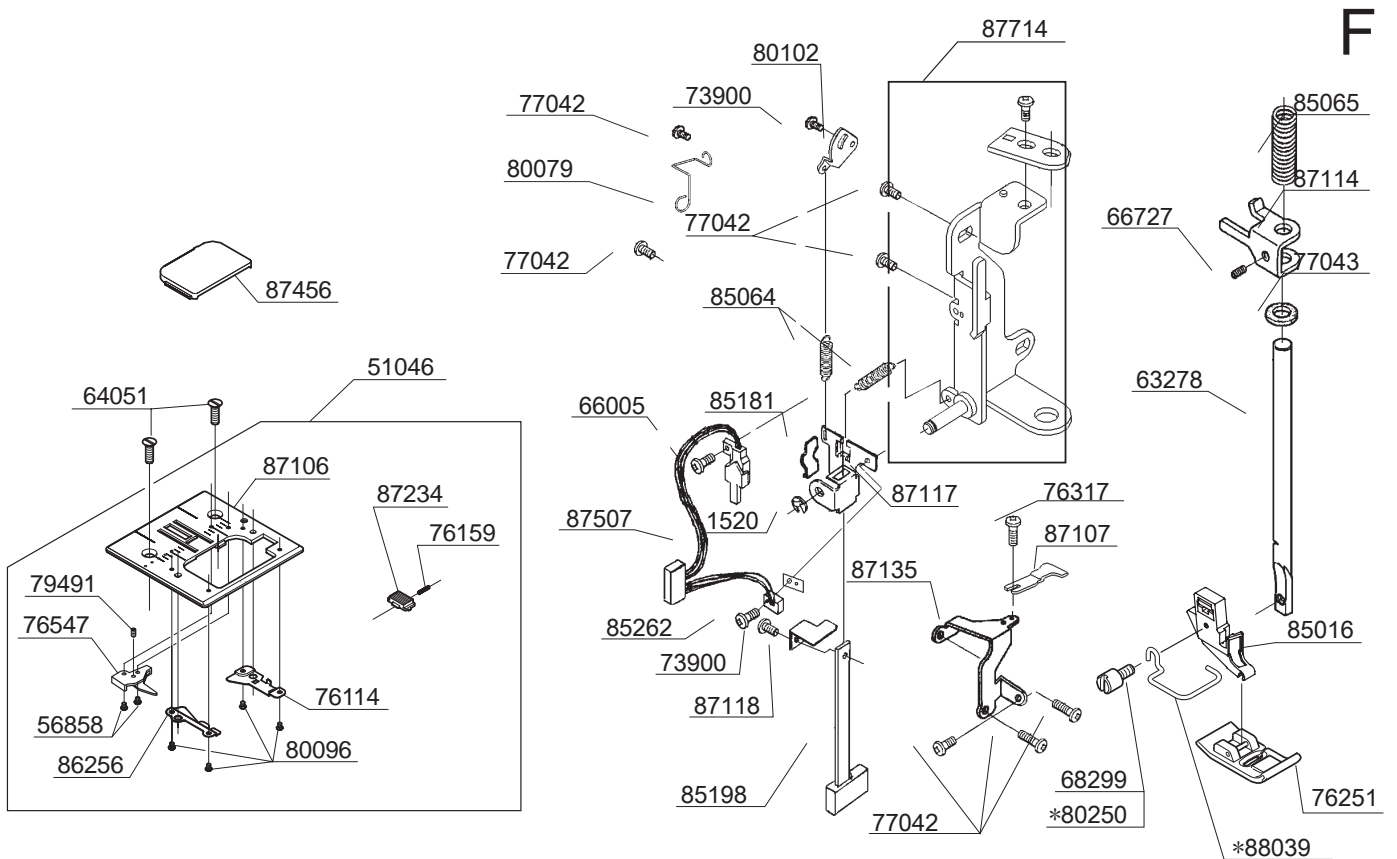
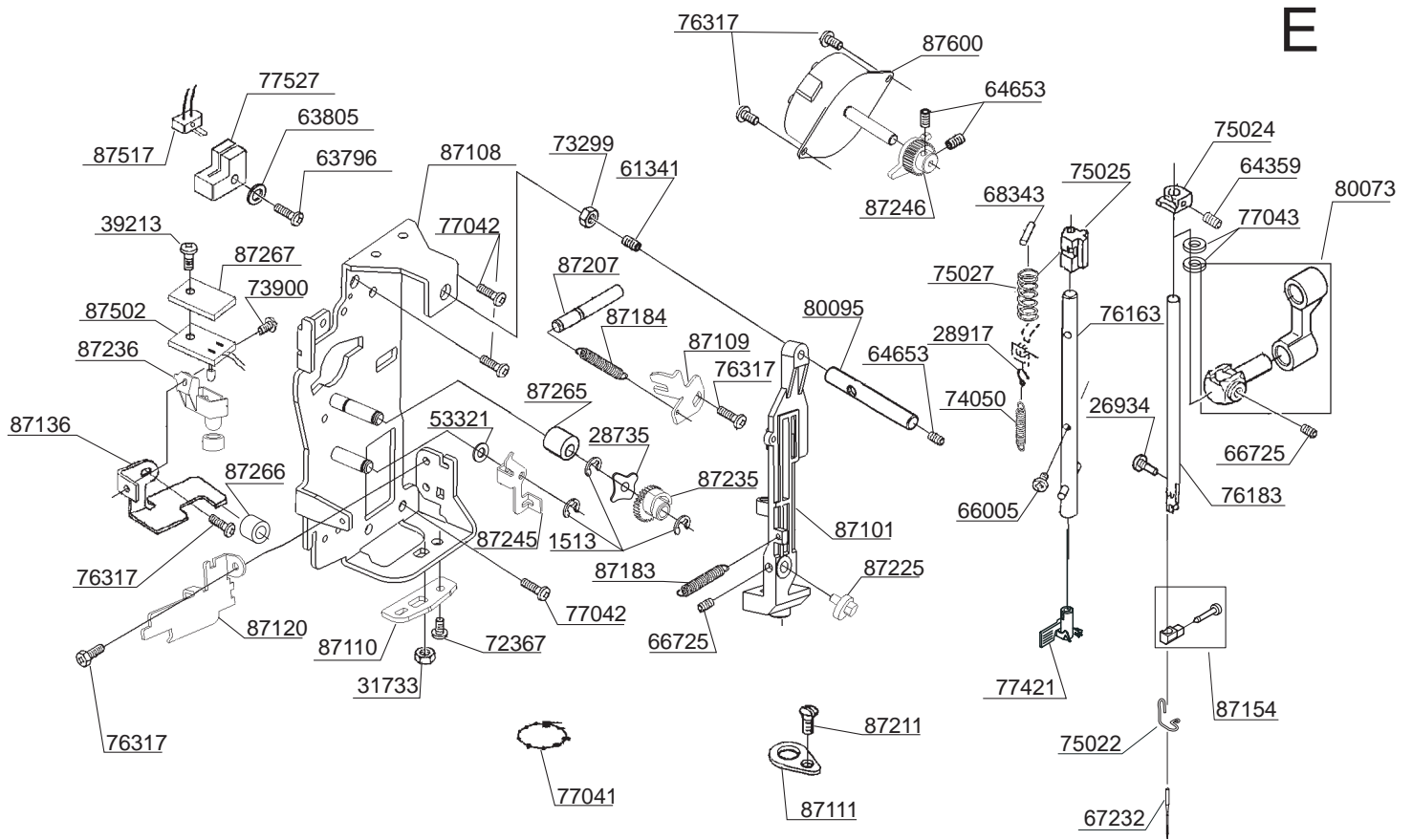


C

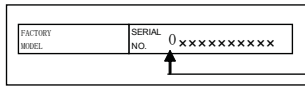


D



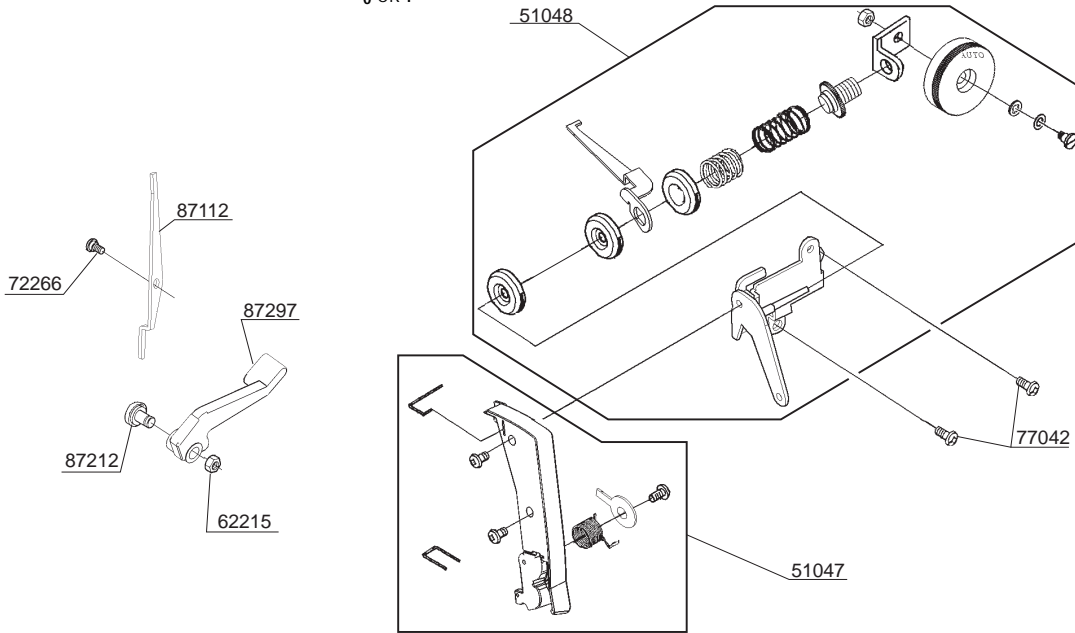


# G

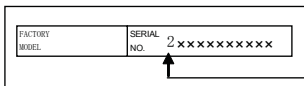


FIRST DIGIT  
0 OR 1

NOTE : PARTS NUMBER WITH ※ MARKS ARE FOR MACHINES SERIAL NUMBERS WITH "0" OR "1" AT FIRST DIGIT.

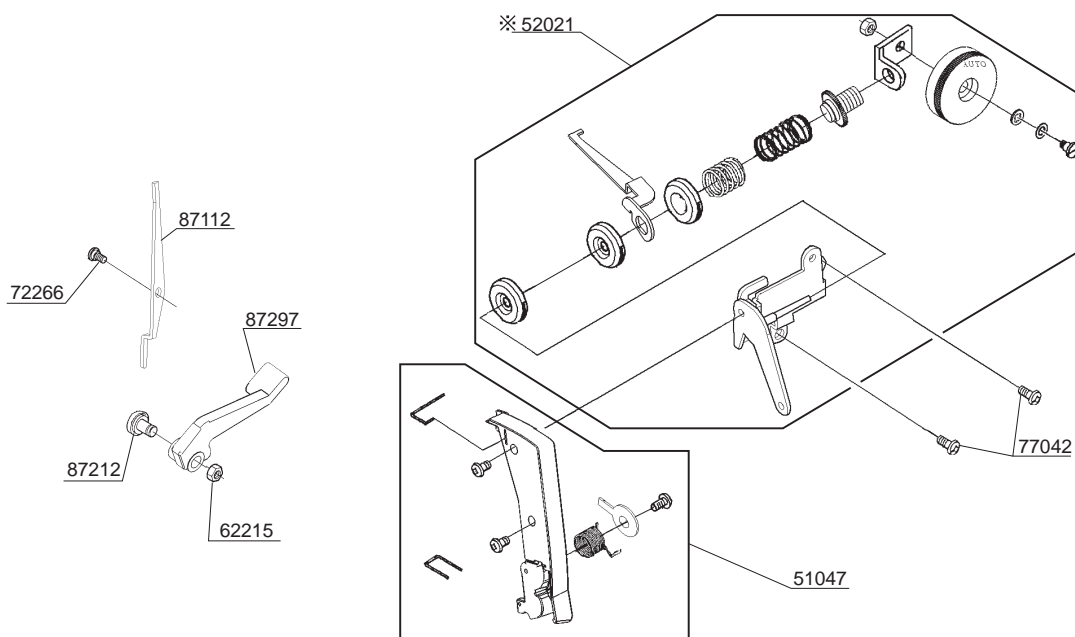


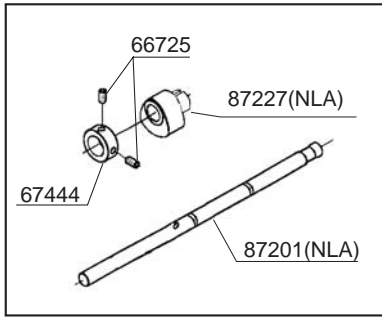
# H



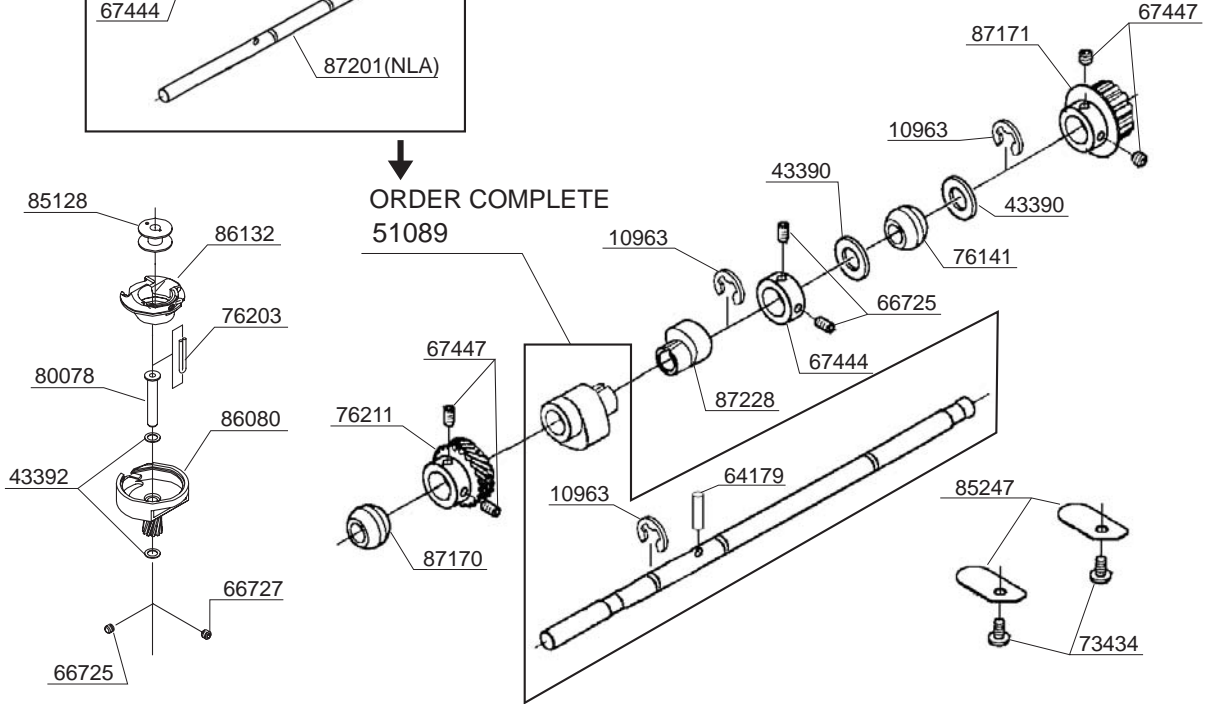
FIRST DIGIT

NOTE : PARTS NUMBER WITH ※ MARKS ARE FOR MACHINES SERIAL NUMBERS WITH "2" AT FIRST DIGIT.

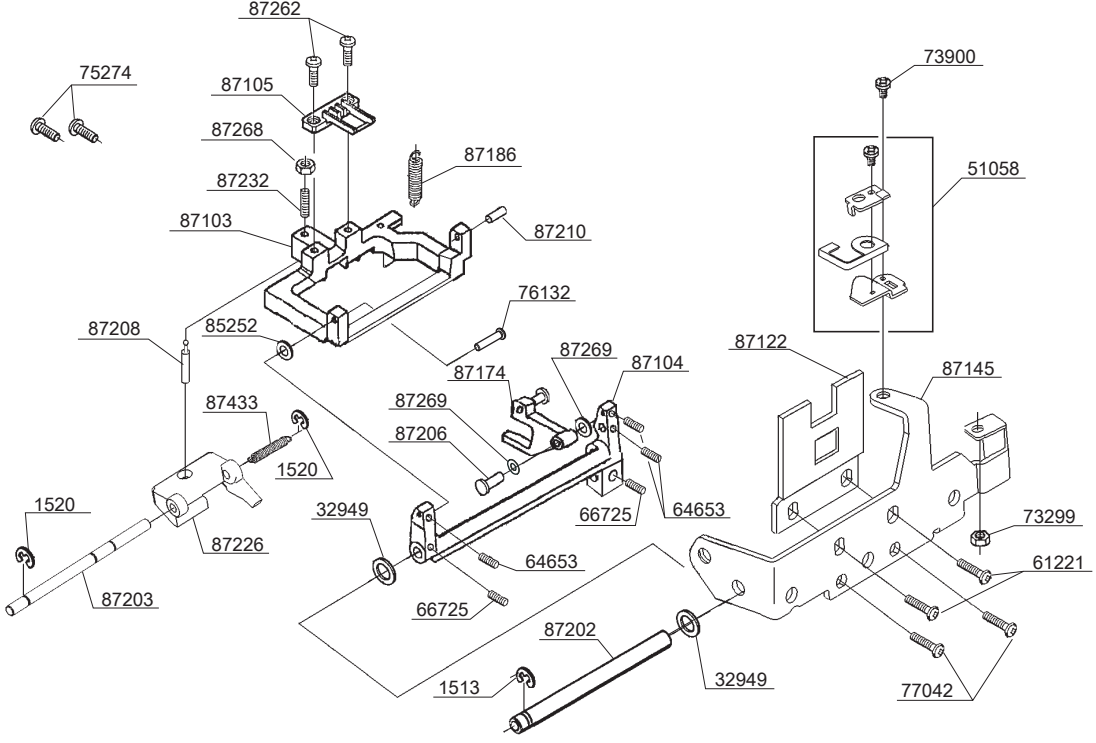




ORDER COMPLETE  
51089



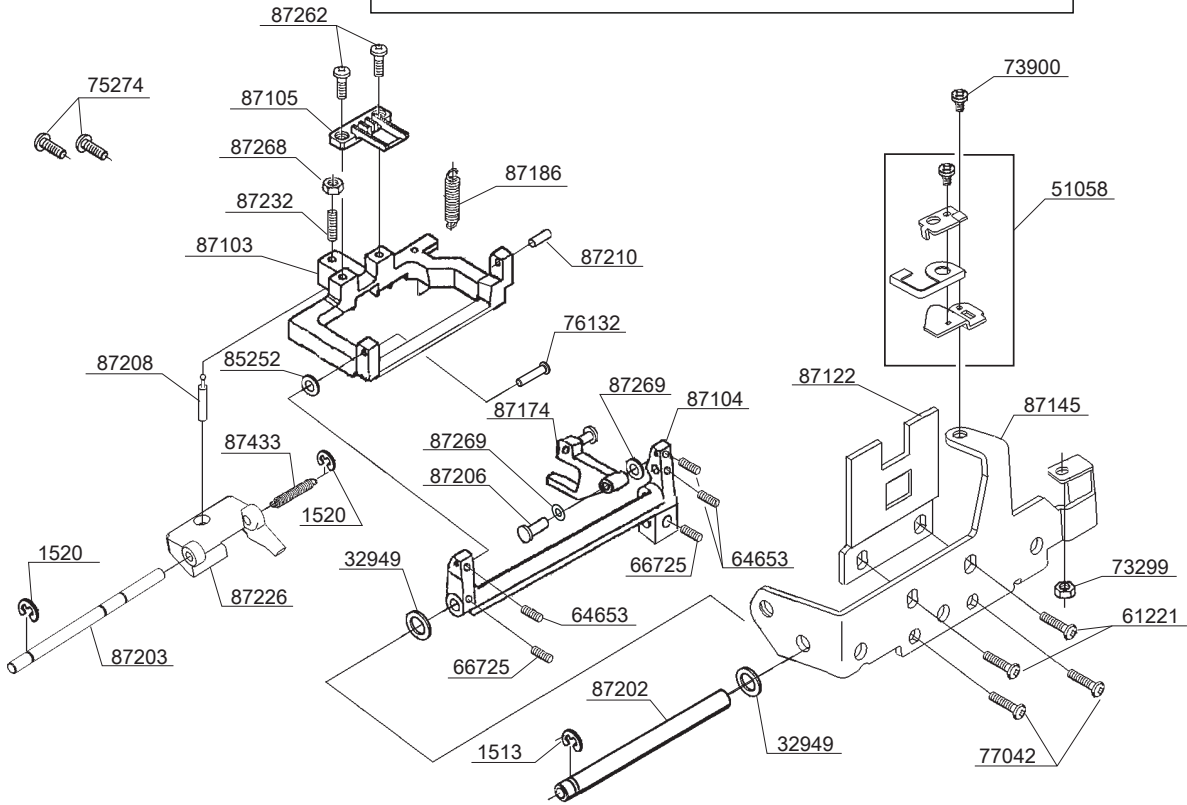
**TYPE-A** Shape of stitch length mechanism is different between TYPE-A and TYPE-B due to the difference of ratio of gears. Check which is the machine serviced according to the shape of motor gear.



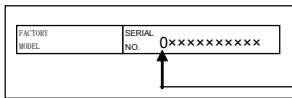
# K

## TYPE-B

Shape of stitch length mechanism is different between TYPE-A and TYPE-B due to the difference of ratio of gears. Check which is the machine serviced according to the shape of motor gear.



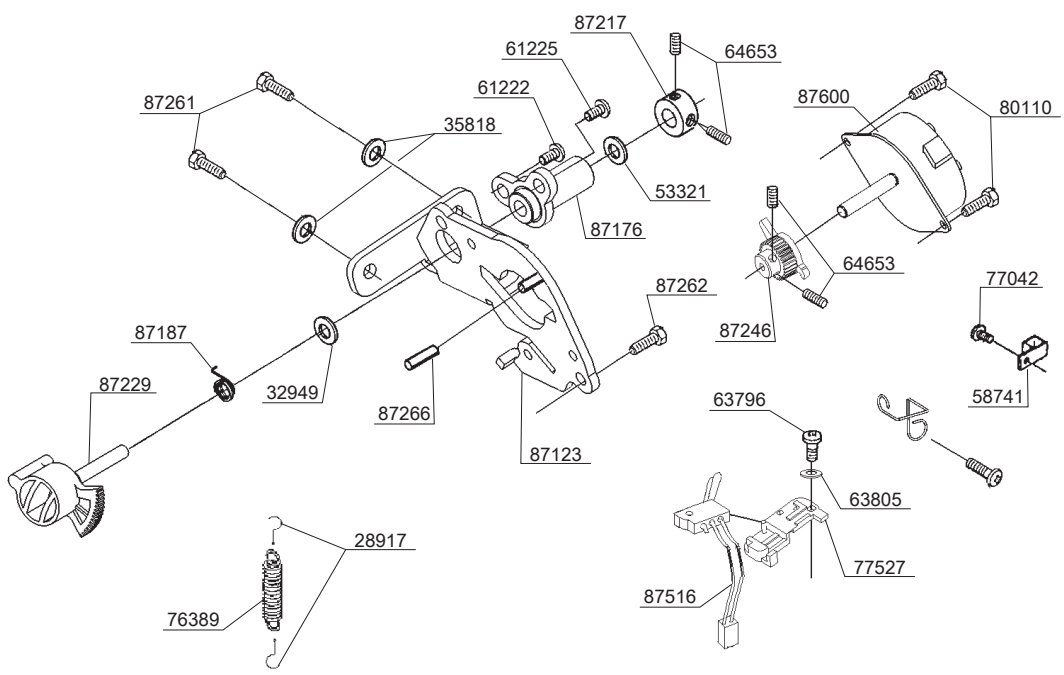
# L



NOTE : PARTS NUMBER WITH ※ MARKS ARE FOR MACHINES SERIAL NUMBERS WITH "0" AT FIRST DIGIT.

## TYPE-A

Shape of stitch length mechanism is different between TYPE-A and TYPE-B due to the difference of ratio of gears. Check which is the machine serviced according to the shape of motor gear.





FACTORY MODEL	SERIAL NO.
	0XXXXXXXXXX

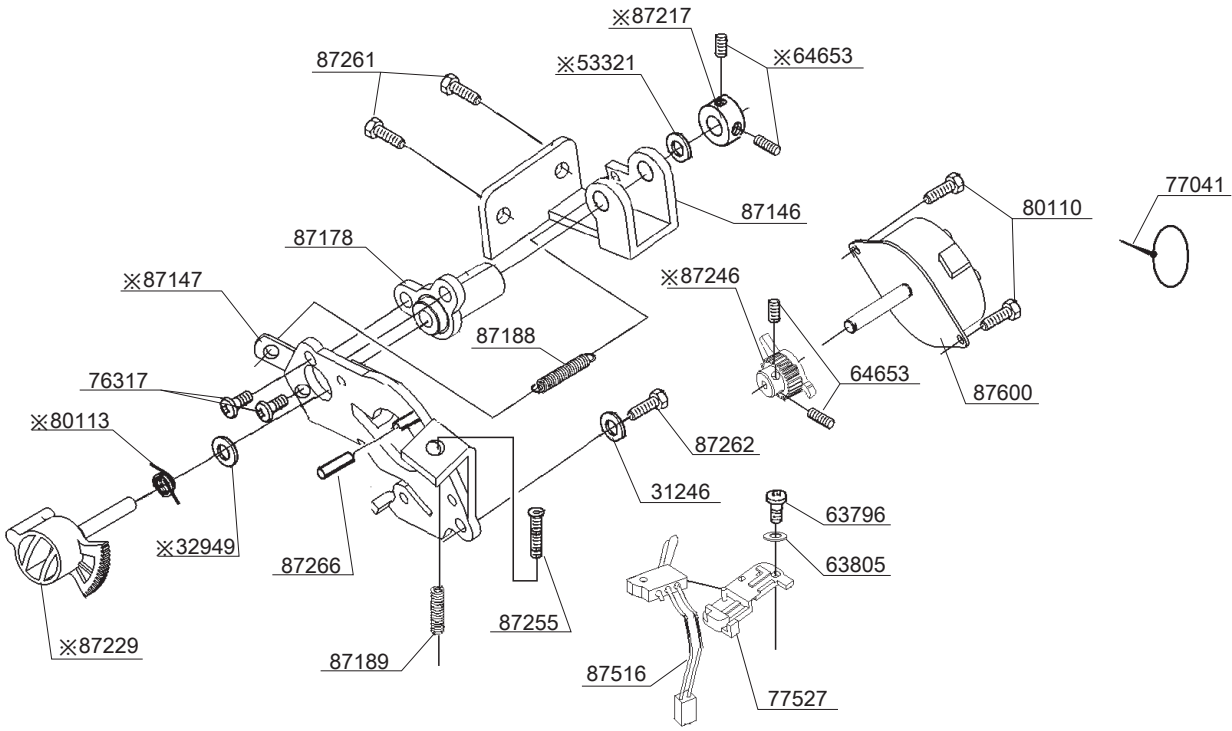
FIRST DIGIT

NOTE : PARTS NUMBER WITH ※ MARKS ARE FOR MACHINES SERIAL NUMBERS WITH "0" AT FIRST DIGIT.

M

**TYPE-B**

Shape of stitch length mechanism is different between TYPE-A and TYPE-B due to the difference of ratio of gears. Check which is the machine serviced according to the shape of motor gear.

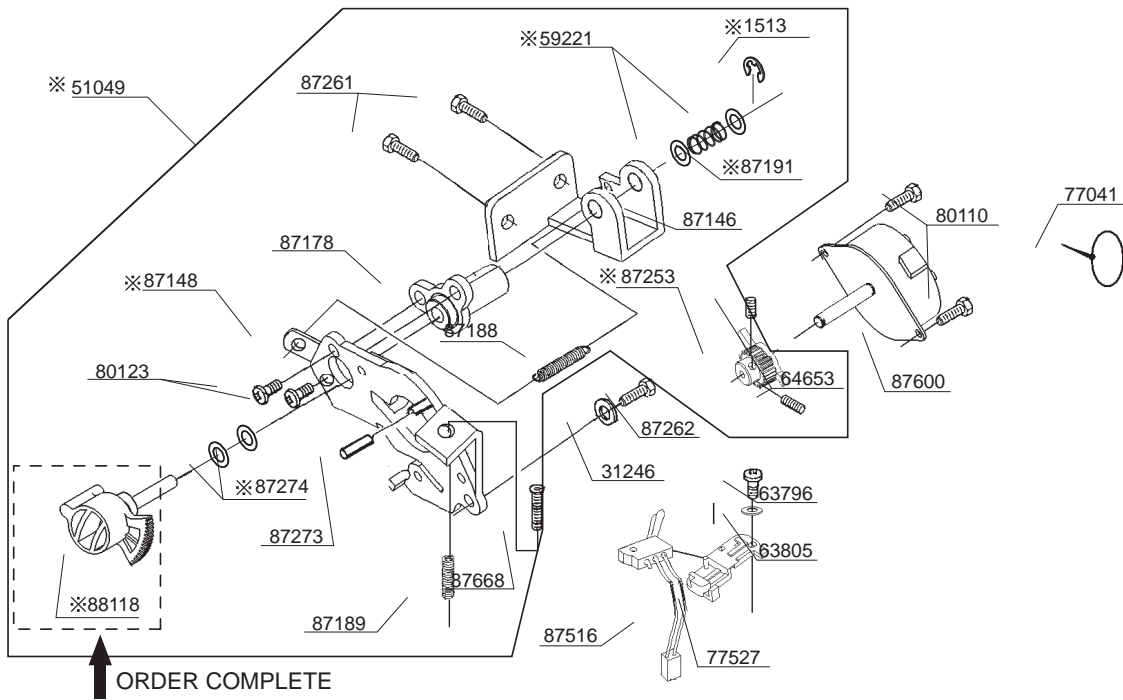


FACTORY MODEL	SERIAL NO.
	1XXXXXXXXXX

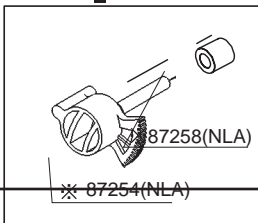
FIRST DIGIT  
1 OR 2

NOTE : PARTS NUMBER WITH ※ MARKS ARE FOR MACHINES SERIAL NUMBERS WITH "1" OR "2" AT FIRST DIGIT.

N

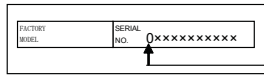


ORDER COMPLETE

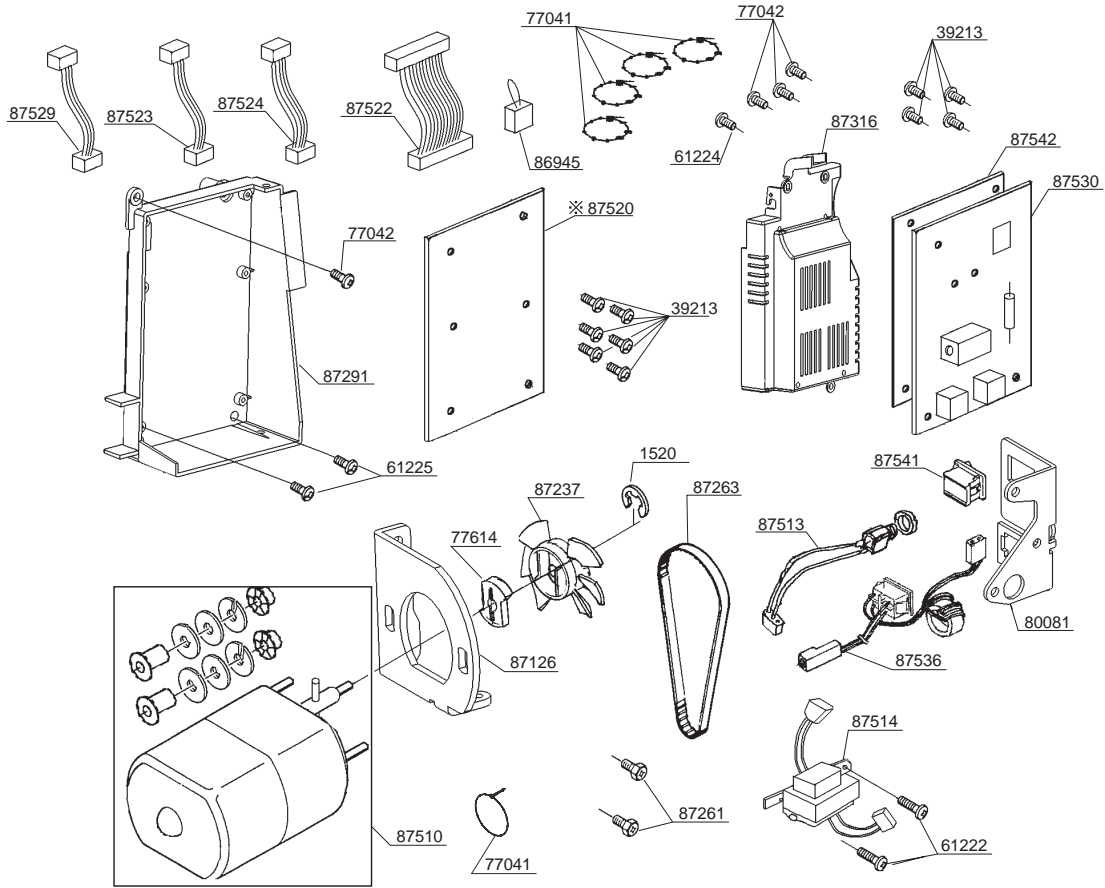


O

120

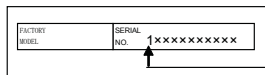


NOTE : PARTS NUMBER WITH \* MARKS ARE FOR MACHINES SERIAL NUMBERS WITH "0" AT FIRST DIGIT.

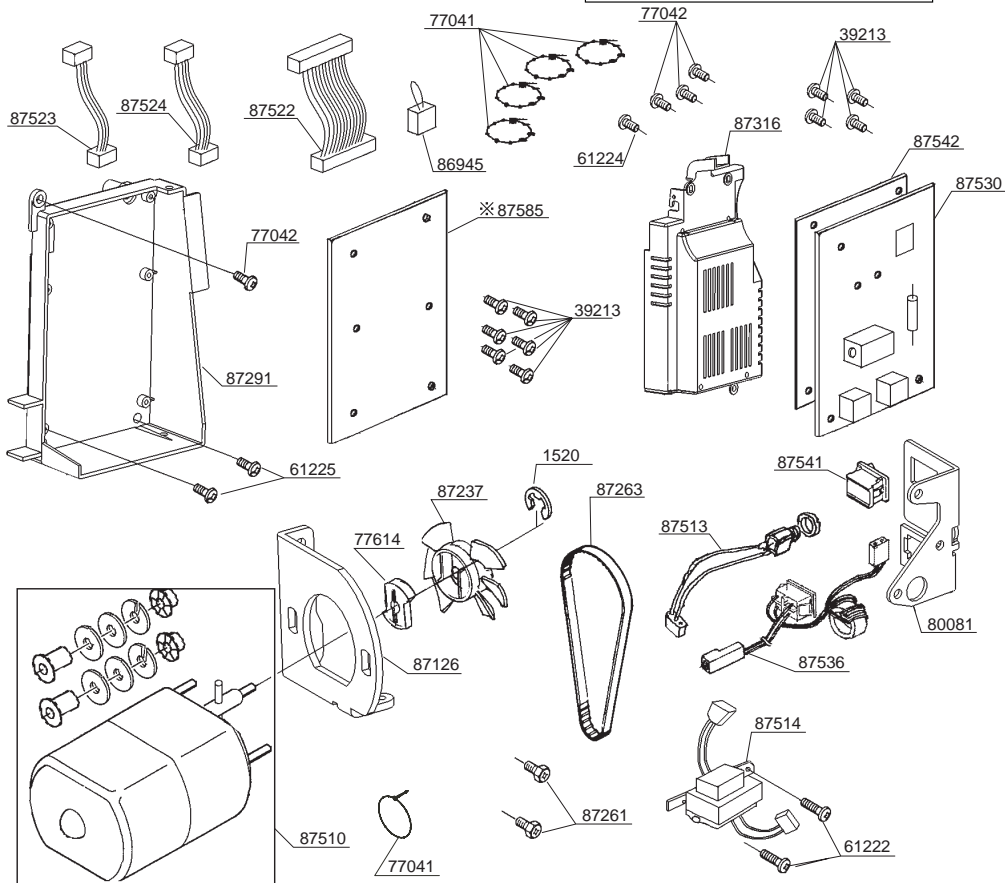


P

120

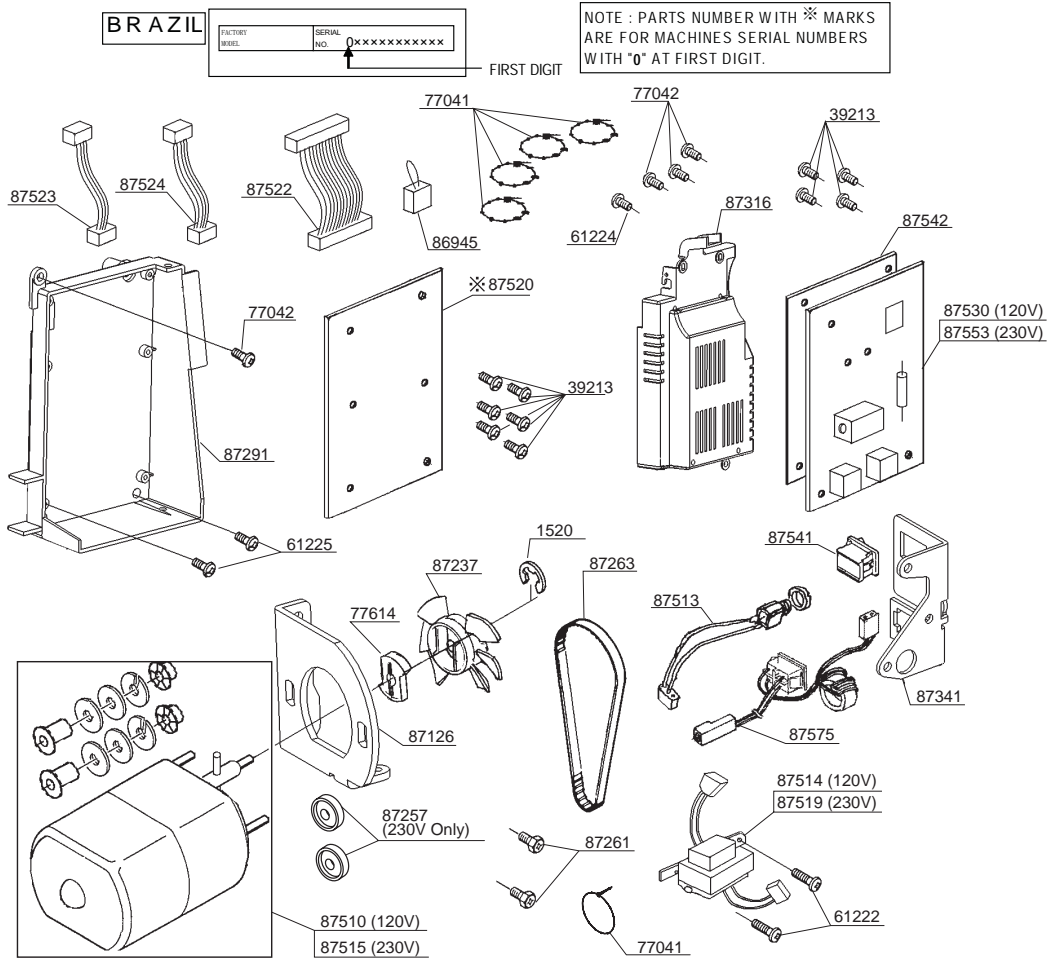


NOTE : PARTS NUMBER WITH \* MARKS ARE FOR MACHINES SERIAL NUMBERS WITH "1" OR "2" AT FIRST DIGIT.

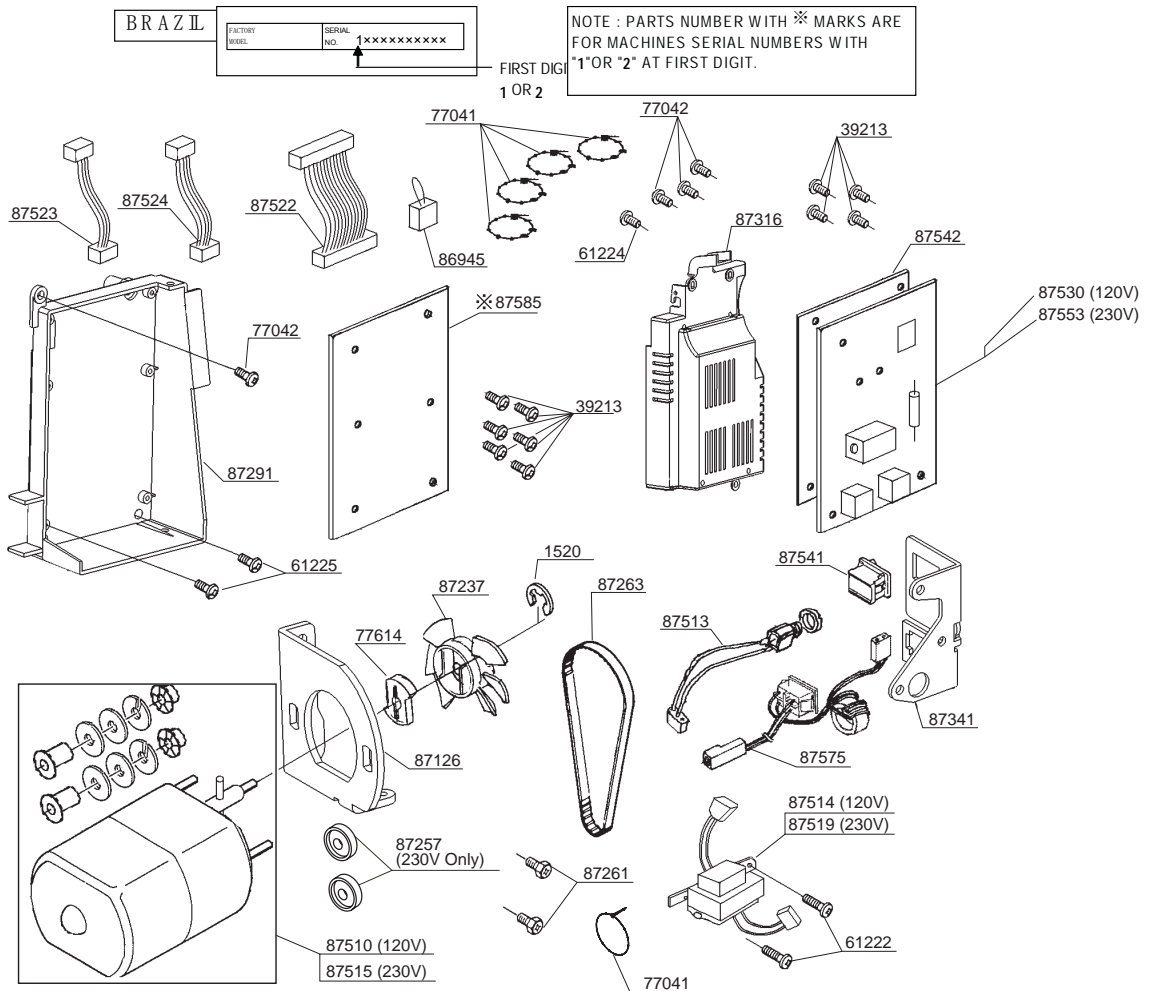




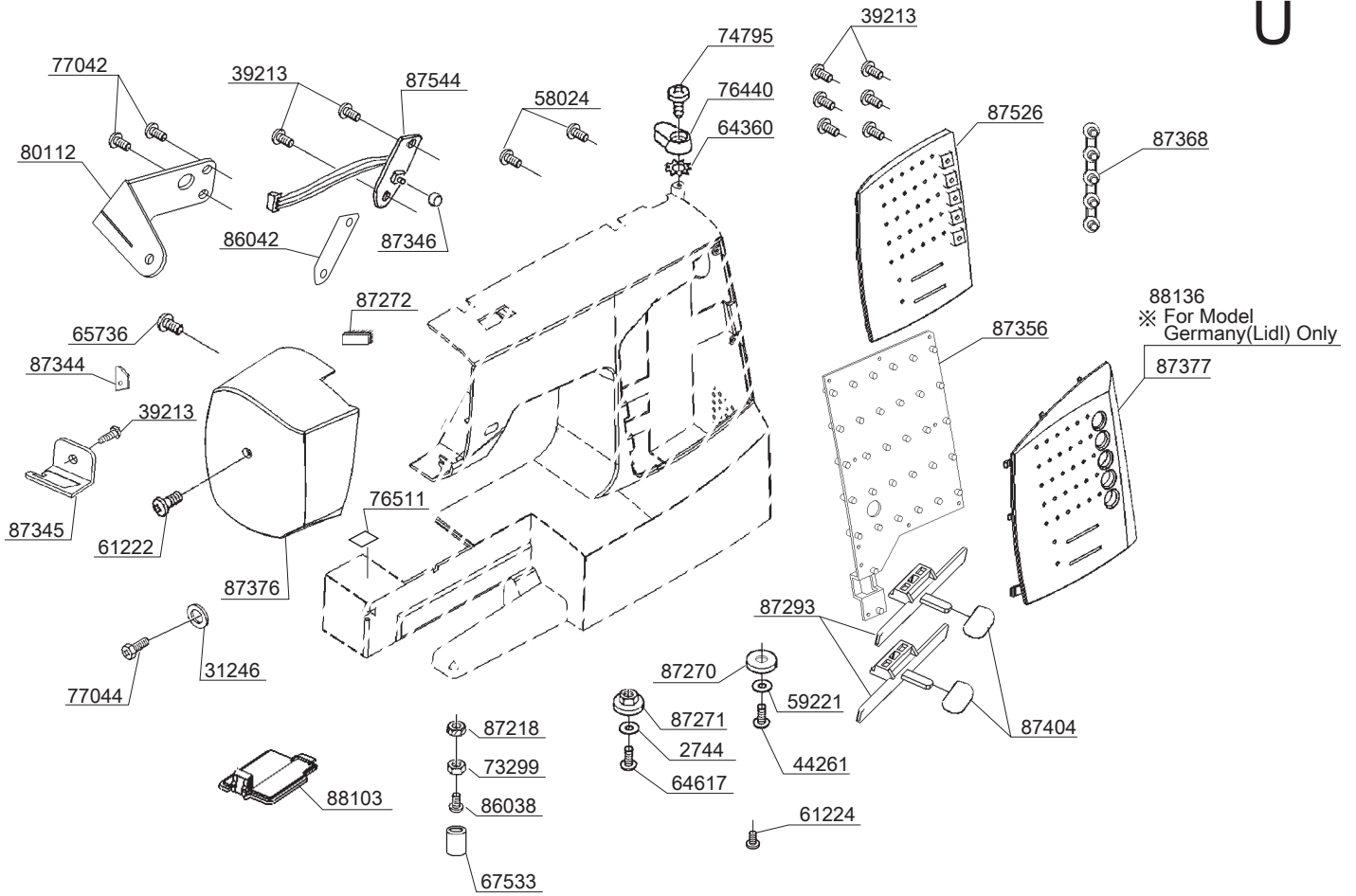
S



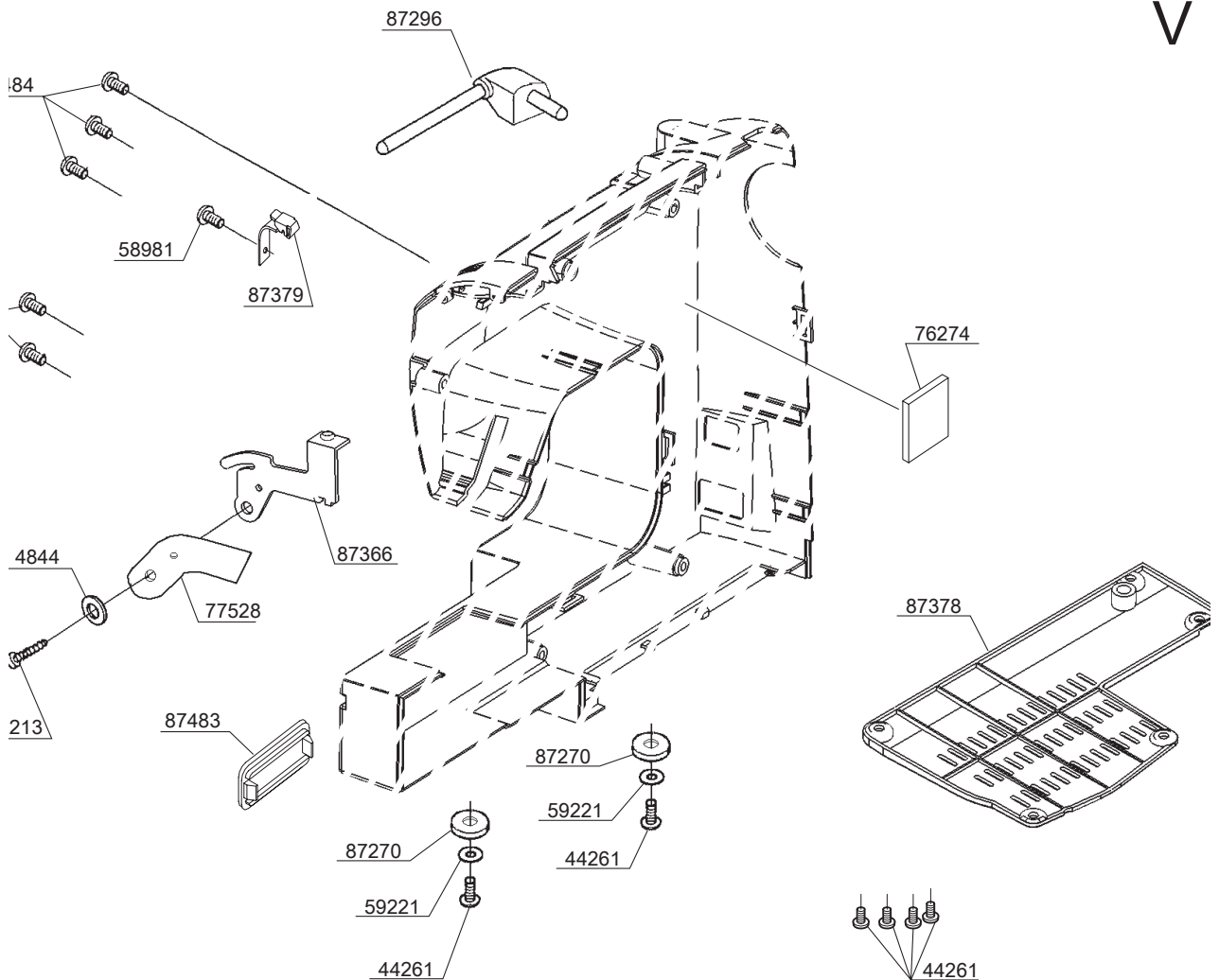
T



U

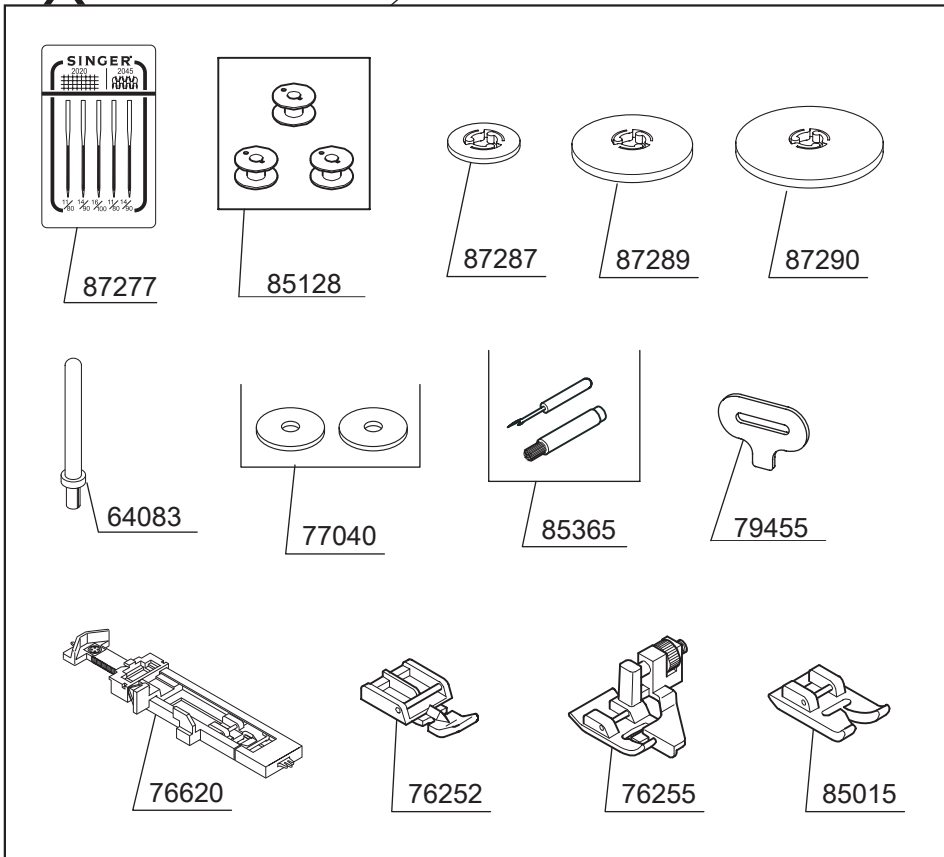


V

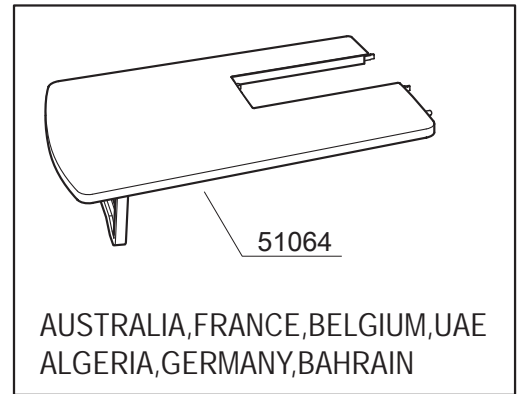


51053

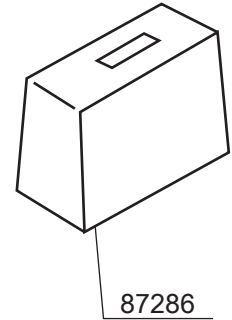
X



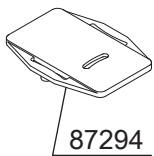
OPTIONAL OR STANDARD FOR LIMITED VERSION



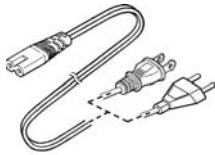
AUSTRALIA, FRANCE, BELGIUM, UAE  
ALGERIA, GERMANY, BAHRAIN



87286



87294



85338 (UK, MALAYSIA ONLY)

85339 (230V)

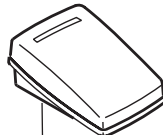
85343 (AUSTRALIA ONLY)

85349 (KOREA ONLY)

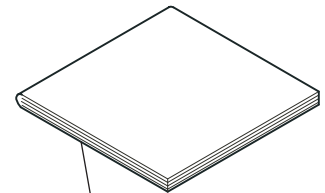
85354 (CHINA ONLY)

87534 (120V)

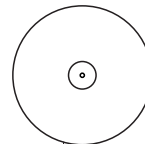
87601 (BRAZIL ONLY)



87532



INSTRUCTION BOOK



82190  
USA ONLY

### Optional Accessory

PART NO.	DESCRIPTION
77259	INSTRUCTION BOOK (Korea)
77278	INSTRUCTION BOOK (Fre/Gree/Eng)
77358	INSTRUCTION BOOK (Eng/Fre/Spa)
77362	INSTRUCTION BOOK (Eng/Fre/Spa) MEXICO ONLY
77384	INSTRUCTION BOOK (Brazilian-Portuguese)
79455	LARGE SCREW DRIVER
82020	INSTRUCTION BOOK (Russia)
85015	SATIN FOOT
85128	BOBBIN
85338	POWER CORD (UK ONLY)
85339	POWER CORD (230V)
85343	POWER CORD (AUSTRALIA ONLY)
85349	POWER CORD (KOREA ONLY)
85365	BUTTONHOLE OPENER / BRUSH
87277	NEEDLE SET
87286	VINYL COVER
87287	SPOOL PIN CAP (MINI)
87289	SPOOL PIN CAP (SMALL)
87290	SPOOL PIN CAP (LARGE)
87294	DARNING PLATE
87532	FOOT CONTROL (PIN-JACK TYPE)
87534	POWER CORD (120V)
87601	POWER CORD (BRAZIL ONLY)
82190	INSTRUCTION DVD (USA ONLY)



PART NO.	DESCRIPTION	PAGE	PART NO.	DESCRIPTION	PAGE
1513	E4 CLIP-ON-WASHER	A,J,K,N	73434	M4 PHILLIPS SCREW	I
1520	E3 CLIP-ON-WASHER	F,J,K,O,Q,S,R,T	73472	COLLAR	B,C
2592	SPRING WASHER	L	73900	M3 PHILLIPS SCREW	D,E,F,J,K
2744	WASHER	L,U	74050	EXTENSION SPRING	E
4844	WASHER	V	74795	TAPPING SCREW	U
10963	E6 CLIP-ON-WASHER	B,C,D,I	75022	THREAD GUIDE	E
28735	CRINKLE WASHER	E	75024	STOPPER	E
28917	HOOK FOR SPRING	E,L	75025	GUIDE BLOCK	E
31246	WASHER	M,N,U	75027	COMPRESSION SPRING	E
31733	M3 NUT	E	75047	CLUTCH	B,C
32949	WASHER	J,K,L,M	75060	TAKE-UP LEVER CRANK	B,C
39213	M3 SCREW	E,O,Q,S,R,T,U,V	75194	TORSION SPRING	B,C
43389	THRUST WASHER	B,C,I	75207	CS-CLIP	B,C
43392	THRUST WASHER	I	75274	M4 PHILLIPS SCREW	B,C,J,K
43930	SPRING PIN	B,C	76114	COVER GUIDE (R)	F
44066	SPRING PIN	B,C	76132	SHAFT	J,K
44261	M4 SCREW	U,V	76141	BALL METAL	I
51046	NEEDLE PLATE SET	F	76159	COMPRESSION LEVER	F
51047	THREAD GUIDE PLATE ASSY	G,H	76163	THREADER SHAFT SET	E
51048	TENSION ASSY	G	76183	NEEDLE BAR	E
51049	FEED REGULATOR UNIT	N	76203	OILING CORD	I
51053	ACCESSORY SET	X	76211	BEVEL GEAR	I
51058	RETAINER SET	J,K	76251	ZIGZAG PRESSER FOOT	F
51064	EXTENSION TABLE	X	76252	ZIPPER FOOT	X
51089	LOWER SHAFT WITH LIFTING	CAM SET	I 76255	BLIND STITCH FOOT	X
52021	TENSION ASSY	H	76274	SPACER	V
53321	THRUST WASHER	E,L,M	76317	M3 PHILLIPS SCREW	E,F,M
53403	WASHER	B,C	76366	CRANK SHAFT	B,C
56858	M2 PHILLIPS SCREW	F	76389	EXTENSION SPRING	L
58024	TAPPING SCREW	U	76440	BOBBIN WINDER LATCH	U
58741	CORD GUARD	L	76511	SEAL	U
58981	TAPPING SCREW	V	76547	THREAD CONTROL PLATE	F
59221	WASHER	N,U,V	76620	BUTTONHOLE FOOT	X
61221	M4 PHILLIPS SCREW	J,K	76688	SHAFT	B,C
61222	M4 PHILLIPS SCREW	L,O,Q,S,P,R,T,U	77035	M4 PHILLIPS SCREW	B,C
61224	M4 PHILLIPS SCREW	A,C,O,Q,S,P,R,T,U,V	77040	SPOOL PIN DISC	X
61225	M4 PHILLIPS SCREW	L,O,Q,S,P,R,T	77041	UNITY FASTENER	E,M,N,O,Q,S,P,R,T
61341	M4 SCREW	E	77042	M4 PHILLIPS SCREW	A,D,E,F,G,H,J,K,L,O,Q,P,R,S,T,U
62215	M4 NUT	G,H			
63278	PRESSER BAR	F,E,L,M,N	77043	FELT WASHER	E,F
63805	WASHER	E,L,M,N	77044	M3 PHILLIPS SCREW	U
64051	M4 SCREW	F	77053	M3 PHILLIPS SCREW	D
64083	SPOOL PIN	X	77248	INSTRUCTION BOOK	
64179	SPRING PIN	I		(Ita/Dut/Ger)	X
64359	M4 SCREW	E	77259	INSTRUCTION BOOK (Korea)	X
64360	TOOTHED WASHER	U	77278	INSTRUCTION BOOK	
64484	TAPPING SCREW	V		(Fre/Gree/Eng)	X
64617	TAPPING SCREW	U	77358	INSTRUCTION BOOK	
64653	M3 SCREW	E,K,K,L,M,N		(Eng/Fre/Spa)	X
65736	M4 PHILLIPS SCREW	U	77362	INSTRUCTION BOOK	
66005	M2 PHILLIPS SCREW	E,F		(Eng/Fre/Spa) MEXICO ONLY	X
66235	SECURING PLATE	B,C	77384	INSTRUCTION BOOK (Brazilian-Portuguese)	X
66437	BUSH	B,C	77421	THREADER ASSEMBLY	E
66725	M4 SCREW	B,C,E,I,J,K	77527	SENSOR COVER	E,L,M,N
66727	M4 SCREW	B,C,F,I	77528	SPRING PLATE	V
66787	WASHER	B,C	77614	GEAR CLUTCH	O,Q,S,P,R,T
67232	NEEDLE	E	79455	LARGE SCREW DRIVER	X
67444	COLLAR	I	79491	SCREW	F
67447	M5 SCREW	B,C,I	80070	CORD GUIDE	A
67533	RUBBER CUSHION	U	80073	NEEDLE BAR CRANK SET	E
68152	BALL BUSH	B,C	80078	SHUTTLE RACE SHAFT	I
68299	#7 SCREW FOR SHANK	F	80079	CORD GUIDE	F
68343	PIN	E	80081	SWITCH BRACKET	O,P
72266	M4 STUD SCREW	G,H	80095	STRAIGHT PIN	E
72367	M4 CP SCREW	E	80096	M2 SCREW	F
73299	M4 TORQUE NUT	E,K	80102	CONTROL PLATE	F
73299	M4 TORQUE NUT	U	80109	BRACKET	A
73371	M6 SCREW	B,C	80110	M3 CP SCREW	L
73434	M4 PHILLIPS SCREW	B,C	80110	M3 PHILLIPS SCREW	M,N

PART NO.	DESCRIPTION	PAGE	PART NO.	DESCRIPTION	PAGE
80112	FACE COVER BRACKET (Sub. for 87119) U		87176	FEED REGULATOR SHAFT METAL BUSH	L
80113	TORSION SPRING	M	87178	FEED REGULATOR SHAFT METAL BUSH	M,N
80123	M3 SCREW	N	87180	EXTENSION SPRING	D
82020	INSTRUCTION BOOK (Russia) X		87182	TORSION SPRING	D
82190	INSTRUCTION DVD (USA ONLY) X		87183	SPRING	E,
85013	POSITIONING COLLAR	B,C	87184	SPRING	E
85015	SATIN FOOT	X	87186	TORSION SPRING	J,K
85016	PRESSER FOOT HOLDER	F	87187	TORSION SPRING	L
85017	BALANCER	B,C	87188	EXTENSION SPRING	M,N
85046	COLLAR	B,C	87189	COMPRESSION SPRING	M,N
85064	EXTENSION SPRING	F	87191	COMPRESSION SPRING	N
85065	COMPRESSION SPRING	F	87200	MAIN SHAFT	B,C
85128	BOBBIN	I,X	87200	MAIN SHAFT	C
85138	TENSION ROLLER	B,C	87201	LOWER STRAIGHT SHAFT (NLA) →	
85181	LEAF SPRING	F		ORDER COMPLETE 51089	I
85198	BH PLATE (A)	F	87202	SHAFT	J,K
85217	RETAINER	B,C	87203	SHAFT	J,K
85247	SECURING PLATE	I	87206	PIN	J,K
85252	WASHER	J,K	87207	STRAIGHT PIN	E
85262	M2 SCREW	F	87208	BALL HEADED □ PIN	J,K
85274	M2 SCREW	D	87210	PIN	J,K
85338	POWER CORD (UK ONLY) X		87211	M3 SCREW	E
85339	POWER CORD (230V) X		87212	M4 SCREW	G,H
85343	POWER CORD (AUSTRALIA ONLY) X		87216	PIN	A
85349	POWER CORD (KOREA ONLY) X		87217	COLLAR	L,M
85365	BUTTONHOLE OPENER / BRUSH X		87218	NUT	U
86038	STUD SCREW	U	87220	BELT PULLEY	B
86042	SPACER	U	87220	BELT PULLEY	C
86080	SHUTTLE RACE	I	87221	UPPER TIMING BELT GEAR	B,C
86132	BOBBIN CASE	I	87222	ENCODER	B
86256	COVER GUIDE (L)	F	87225	ECCENTRIC CAM	E
86945	JUMPER HARNESS	O,Q,S,P,R,T	87226	VERTICAL FEED BLOCK	J,K
87101	NEEDLE BAR SUPPORT	E	87227	LIFTING CAM (NLA) →	
87103	FEED DOG BASE	J,K		ORDER COMPLETE 51089	I
87104	FEED DOG BASE SUPPORT	J,K	87228	FEED CAM	I
87105	FEED DOG	J,K	87229	FEED REGULATOR	L
87106	NEEDLE PLATE	F	87229	FEED REGULATOR	M
87107	BOBBIN CASE STOPPER	F	87232	M6 STUD SCREW	J,K
87108	NEEDLE BAR SUPPORT BRACKET	E	87234	RELEASE LEVER	F
87109	SECURING PLATE	E	87235	ZIGZAG CAM WITH GEAR	E
87110	NEEDLE BAR ADJUSTING PLATE	E	87236	LED LIGHT COVER	E
87111	NEEDLE BAR SWING BRACKET	E	87237	MOTOR FAN	O,Q,S,P,R,T
87112	TENSION RELEASE LEVER	G,H	87241	ENCODER	B,C
87114	PRESSURE BAR GUIDE	F	87242	INSULATION SHEET	D
87117	BH PLATE B	F	87245	BELL CLANK FOR ZIGZAG	E
87118	BH PLATE C	F	87246	PINION GEAR	E,L,M
87120	THREAD GUIDE PLATE	E	87253	PINION GEAR	N
87121	SECURING BRACKET	J	87254	FEED REGULATOR (NLA) →	
87122	SUPPORT PLATE	J,K		ORDER COMPLETE 88118	N
87123	STEPPING MOTOR BRACKET	L	87257	BUSH	Q,R
87125	IDLER PULLEY BRACKET	B,C	87258	COLLAR (NLA) →	
87126	MAIN MOTOR BRACKET	O,Q,S,P,R,T		ORDER COMPLETE 88118	N
87127	BOBBIN WINDER BRACKET	D	87261	CP BOLT	L,M,N,O,P,R,S,T
87128	MOUNTING BRACKET	D	87262	M3 CP SCREW	J,K,M,N
87129	RETAINER	D	87263	DRIVING BELT	O,Q,S,P,R,T
87134	TAKE-UP LEVER	B,C	87264	TIMING BELT	B,C
87135	BRACKET	F	87265	SPACER	E
87136	L-R LIMITER	E	87266	TUBE	E,L
87139	MOUNTING BRACKET	D	87266	PIN	M
87145	SECURING BRACKET	K	87267	INSULATION SHEET	E
87146	BRACKET	M,N	87268	M6 NUT	J,K
87147	STEPPING MOTOR BRACKET	M	87269	WASHER	J,K
87148	STEPPING MOTOR BRACKET	N	87270	RUBBER FOOT	U,V
87154	NEEDLE CLAMP SET	E	87271	RUBBER FOOT	U
87156	BRACKET	A	87272	BRUSH	U
87169	BOBBIN WINDER BRACKET UNIT	D	87273	PIN	N
87170	BALL METAL	I	87274	WASHER	N
87171	TIMING BELT GEAR (LOWER)	I	87275	BUSH	S,T
87174	FORKED CRANK	J,K	87277	NEEDLE SET	X



PART NO.	DESCRIPTION	PAGE	PART NO.	DESCRIPTION	PAGE
87286	VINYL COVER	X			
87287	SPOOL PIN CAP (MINI)	X			
87288	PULLEY CAP	B,C			
87289	SPOOL PIN CAP (SMALL)	X			
87290	SPOOL PIN CAP (LARGE)	X			
87291	CPU CIRCUIT BOARD BOX	O,Q,S,P,R,T			
87293	SLIDE LEVER	U			
87294	DARNING PLATE	X			
87296	SPOOL PIN UNIT	V			
87297	PRESSURE BAR LIFTER	G,H			
87299	PULLEY	B,C			
87316	AC CIRCUIT BOARD BOX	O,Q,S,P,R,T			
87341	SWITCH BRACKET	Q,S,R,T			
87344	BLADE	U			
87345	BLADE FIXTURE	U			
87346	BUTTON	U			
87349	ACC. BOX	A			
87355	HANDLE	A			
87356	LED PANEL	U			
87361	BOBBIN WINDER UNIT	D			
87366	TENSION PLATE	V			
87368	BUTTON	U			
87374	BRACKET	A			
87376	FACE COVER	U			
87377	CONTROL PANEL	U			
87378	BOTTOM COVER	V			
87379	RETAINER	V			
87404	KNOB	U			
87433	TORSION SPRING	K			
87456	NEEDLE COVER PLATE	F			
87483	CAP	V			
87497	HANDLE BRACKET ( L )	A			
87498	HANDLE BRACKET ( R )	A			
87501	PHOTO SENSOR PCB	D			
87502	LED LIGHT CIRCUIT BOARD	E			
87506	SWITCH HARNESS	D			
87507	BH SWITCH HARNESS	F			
87510	MAIN MOTOR	O,S,P,T			
87513	PIN-JACK HARNESS	O,Q,S,P,R,T			
87514	TRANSFORMER	O,S,P,T,Q,S,R,T			
87516	SWITCH HARNESS	L,M,N			
87517	SWITCH HARNESS FOR ZZ	E			
87519	TRANSFORMER	Q,S,R,T			
87520	CPU CIRCUIT BOARD	O,Q,S,P,R,T			
87522	13P CORD HARNESS	O,Q,S,P,R,T			
87523	4P CORD HARNESS	OQ,S,P,R,T			
87524	5P CORD HARNESS	O,Q,S,P,R,T			
87526	SWITCH CIRCUIT BOARD	U			
87530	CIRCUIT BOARD (120 V)	O,S,P,T			
87532	FOOT CONTROL (PIN-JACK TYPE)	X			
87534	POWER CORD (120V)	X			
87536	INLET HARNESS	O,P			
87541	SWITCH	O,Q,S,P,R,T			
87542	INSULATION SHEET	O,Q,S,P,R,T			
87544	SWITCH HARNESS	U			
87553	CIRCUIT BOARD (230V)	Q,S,R,T			
87575	INLET HARNESS	Q,S,R,T			
87576	PHOTO SENSOR CIRCUIT BOARD	D			
87600	STEPPING MOTOR	E,L,M,N			
87601	POWER CORD (BRAZIL ONLY)	X			
87668	M4 BOLT	M,N			
87714	PRESSURE SUPPORT PLATE UNIT	F			
87749	M3 SHOULDER SCREW	D			
88103	COVER	U			
88118	FEED REGULATOR	N			
88136	CONTROL PANEL	U			
88311	TAKE-UP LEVER SHAFT BLOCK	C			