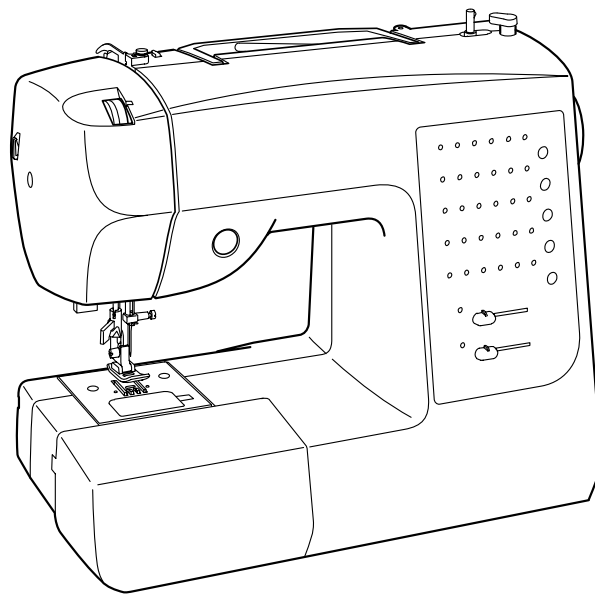
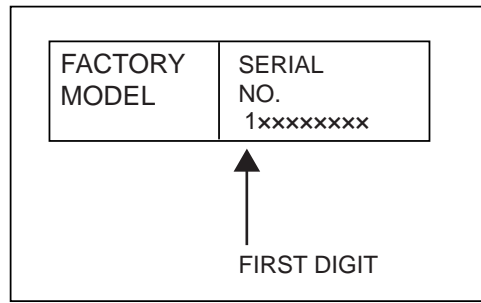




7412



Liste de pièces  
Lista de Piezas  
Parts List



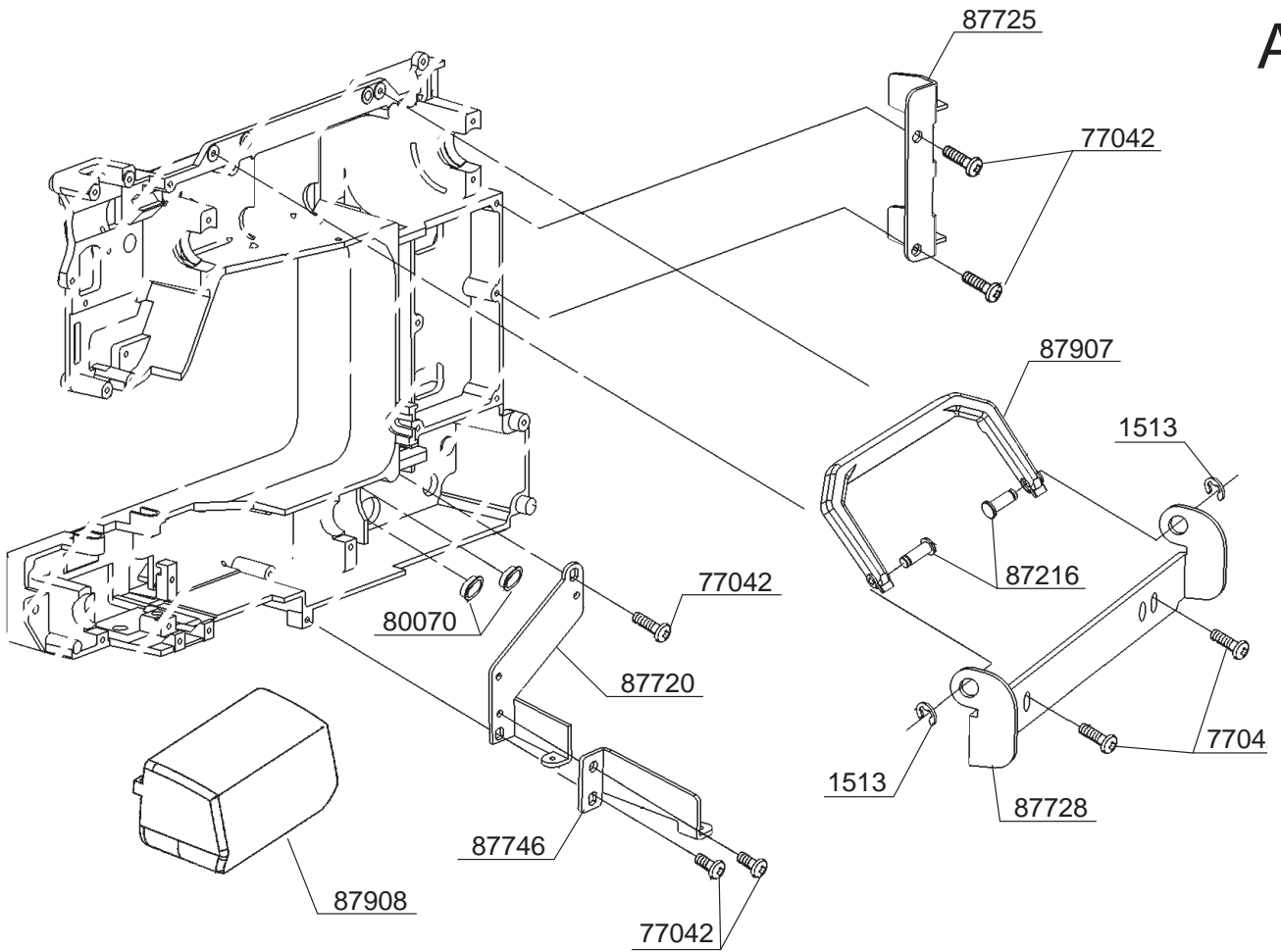
**IMPORTANT:**

WHEN ORDERING THE PARTS ALWAYS CHECK THE SERIAL NUMBER OF THE MACHINE.

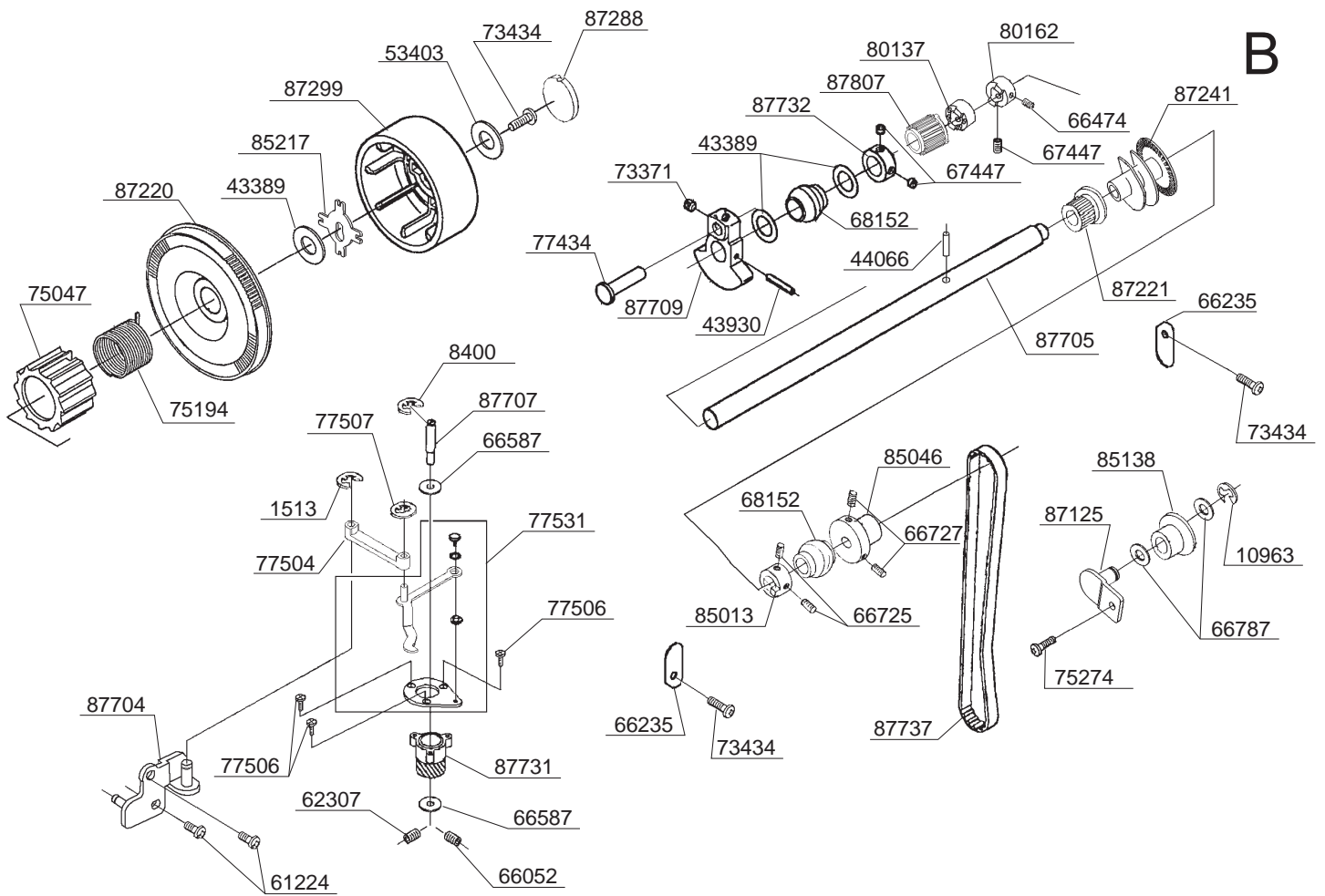
FIRST DIGIT OF THE SERIAL NUMBER MUST MATCH WITH THE LAST DIGIT OF THE FACTOR MODEL BELOW.

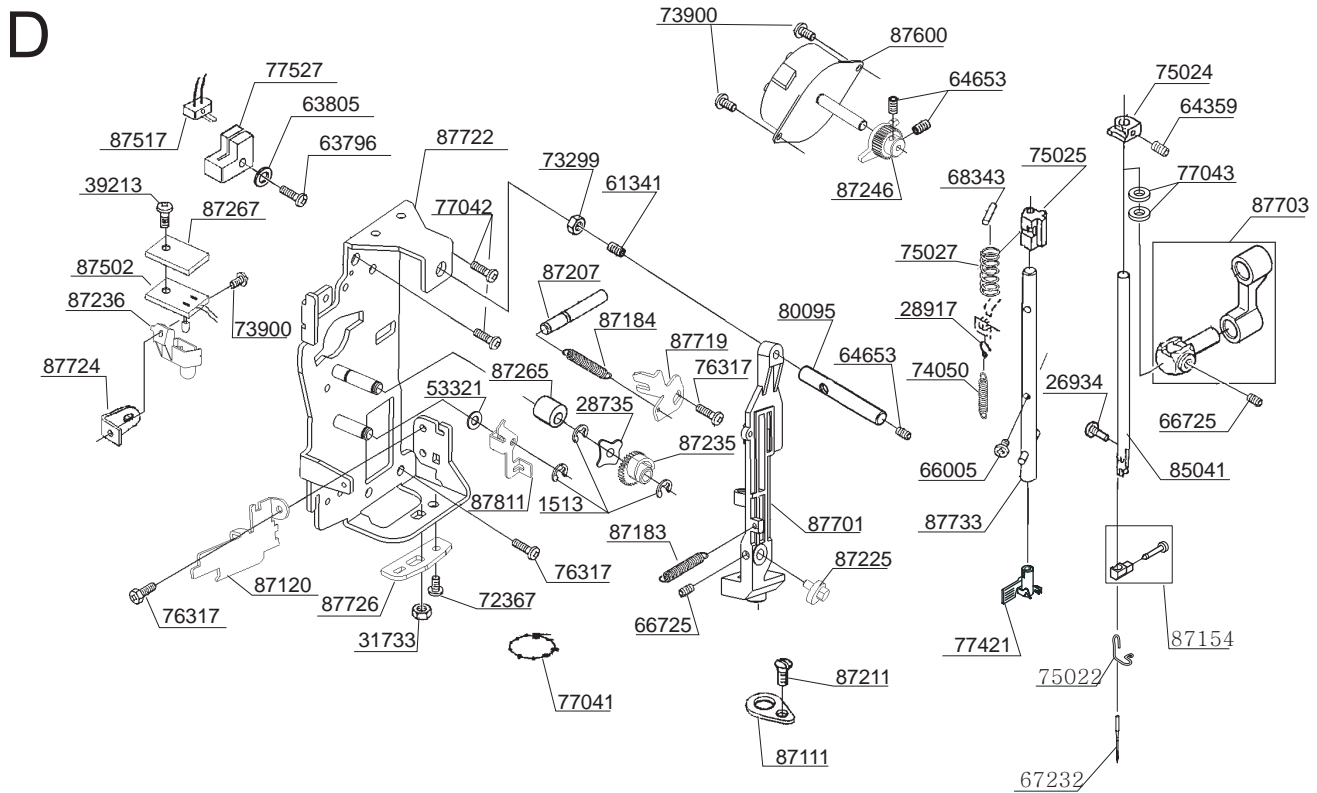
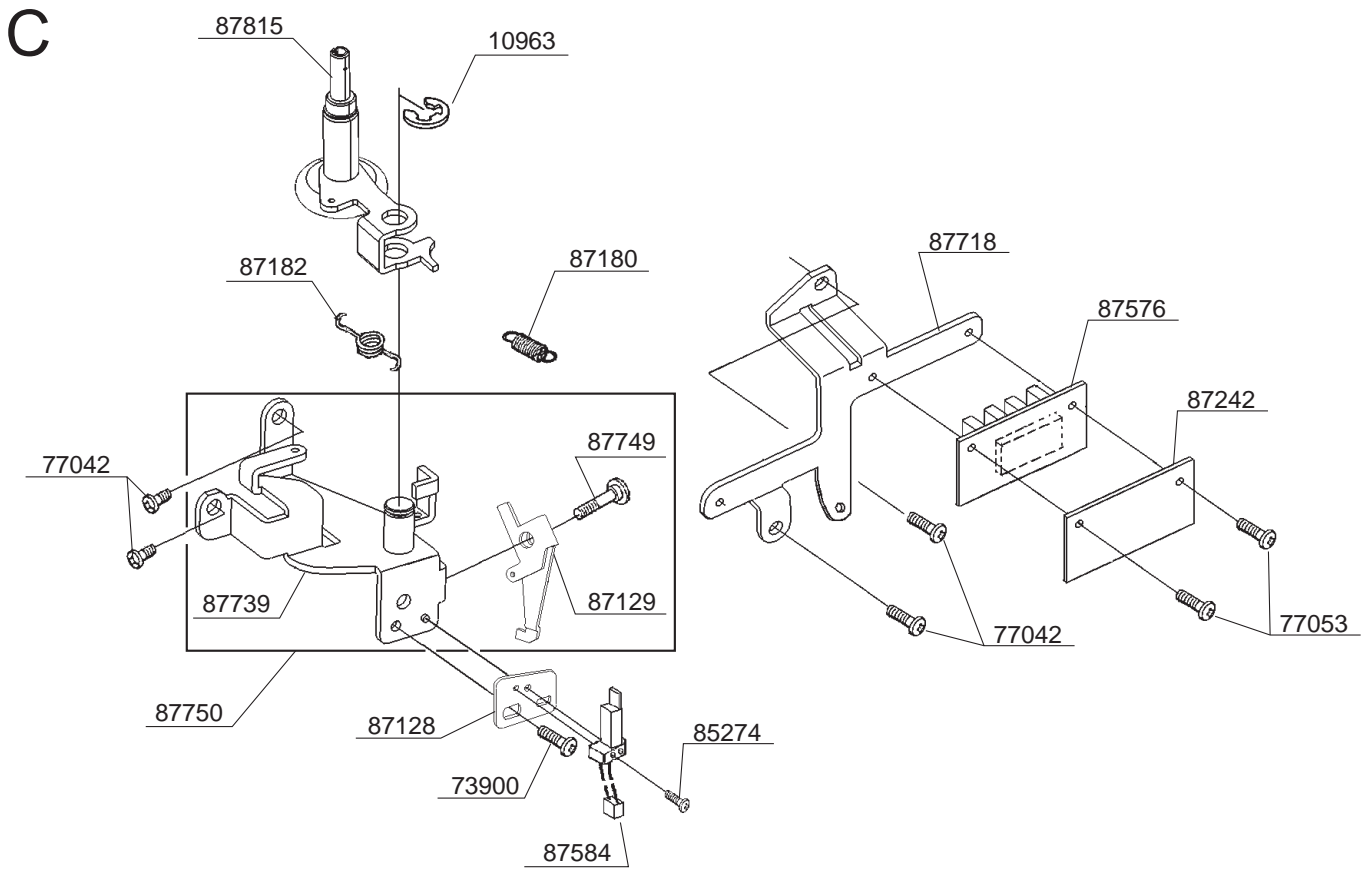
**FACTORY MODEL CA35061 , CA350S1**

A

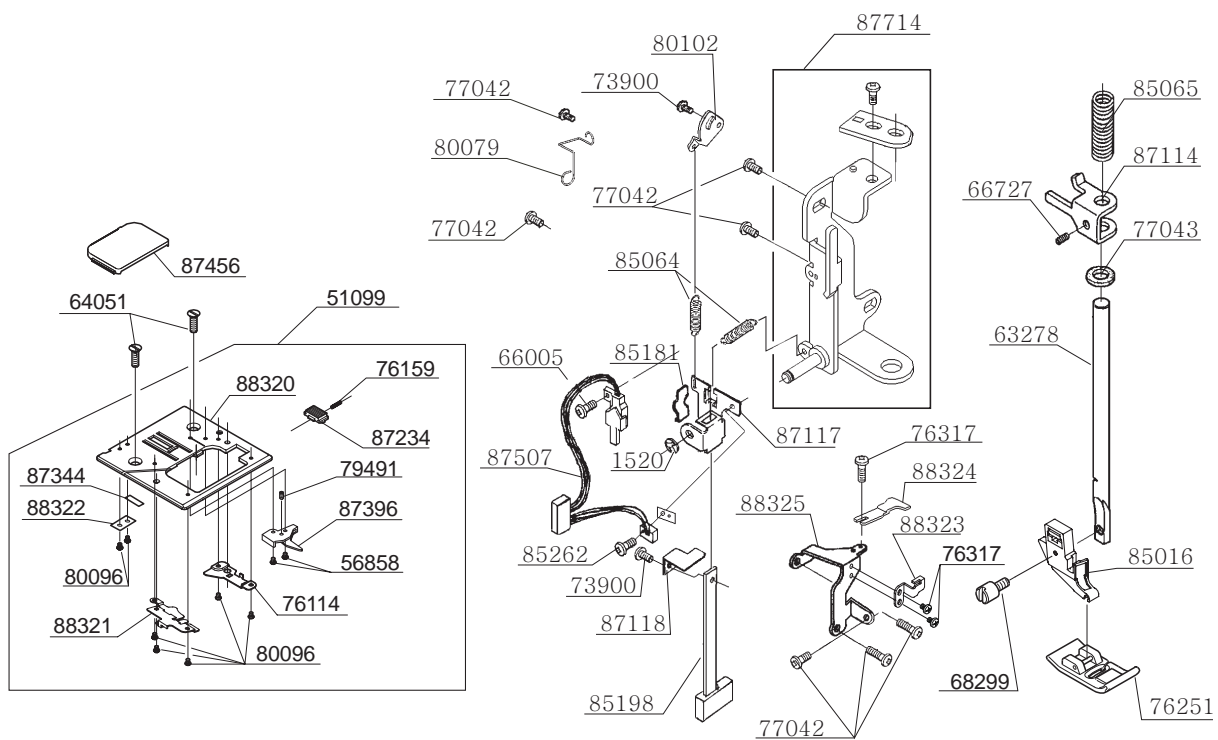


B

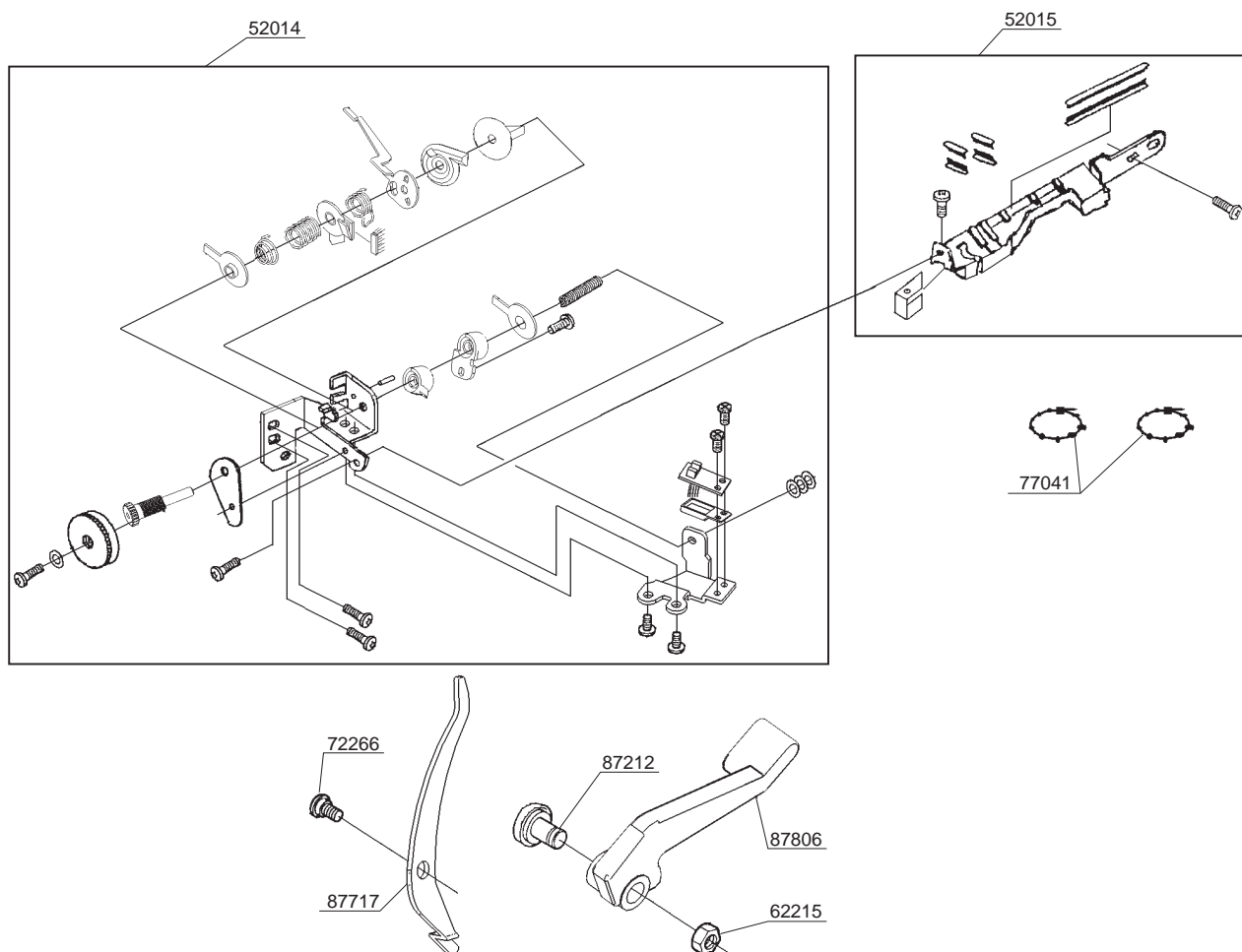




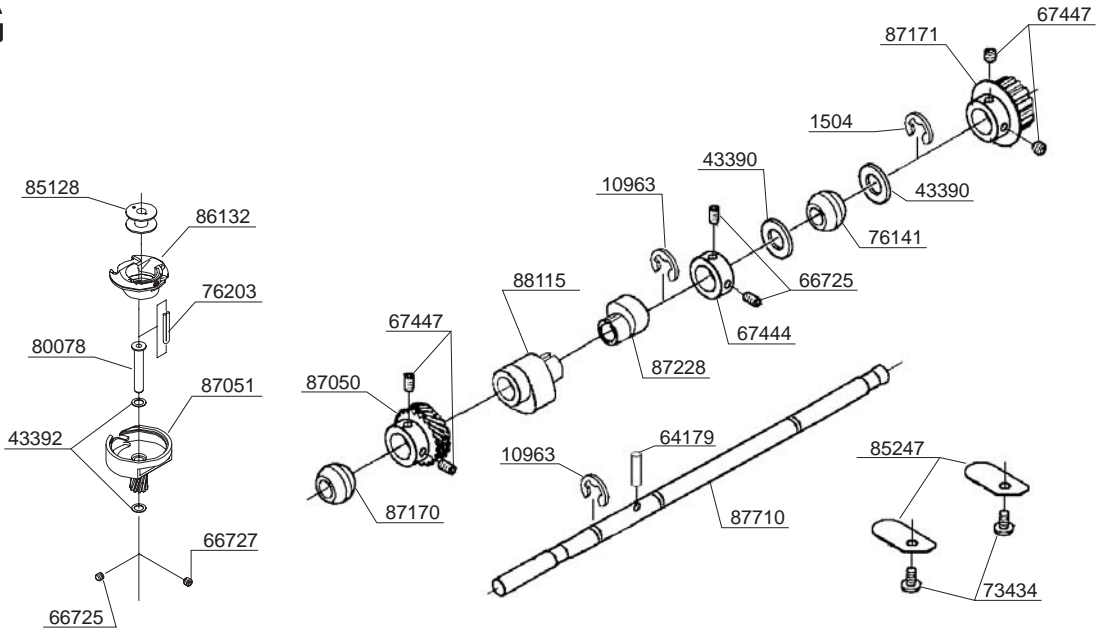
E



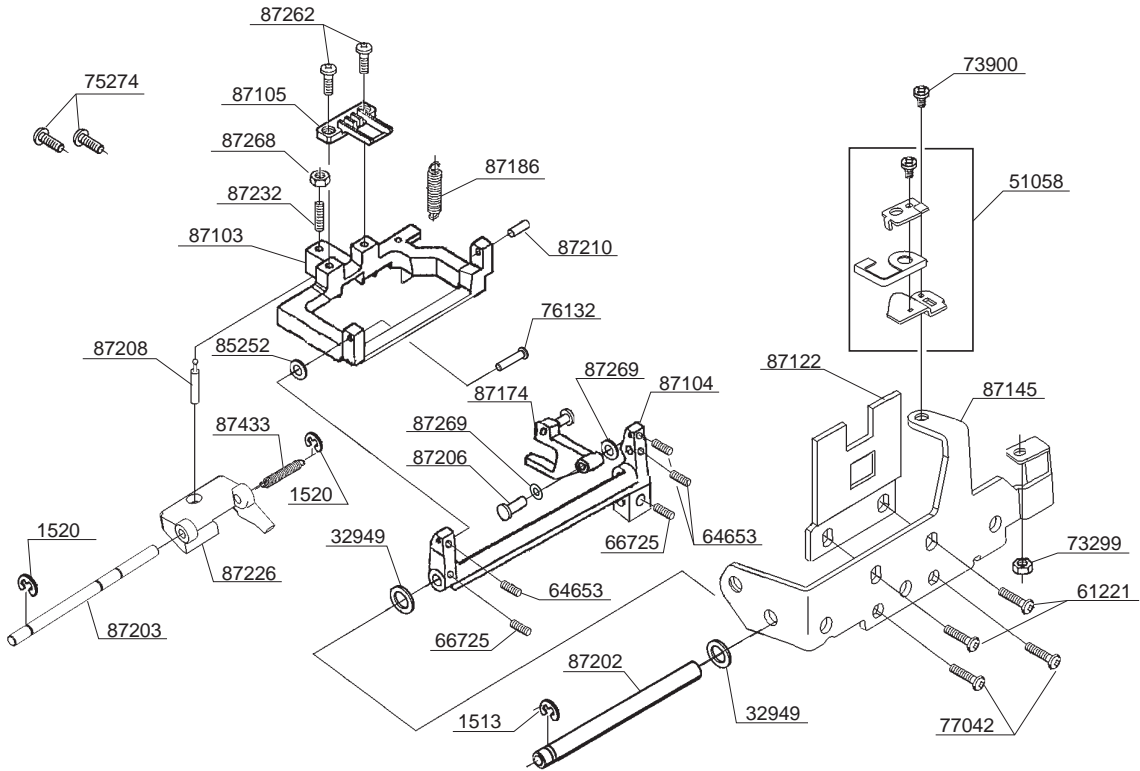
F



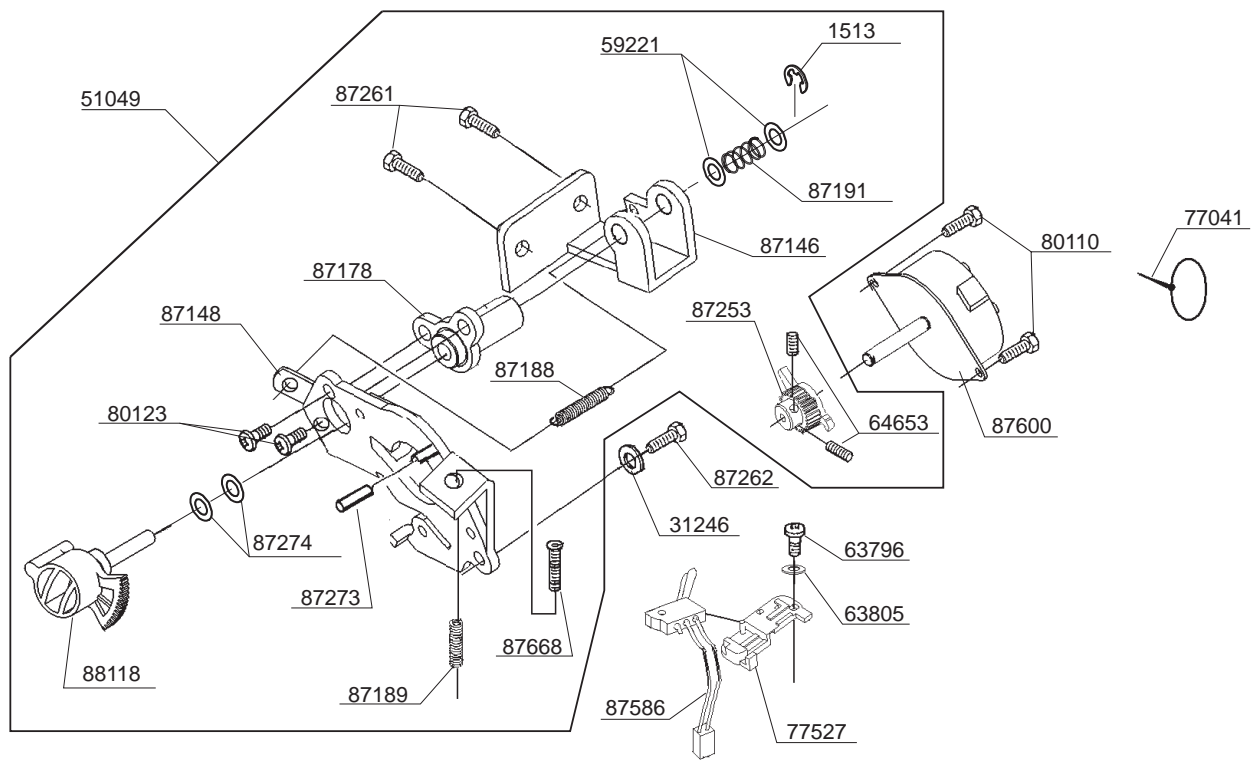
# G



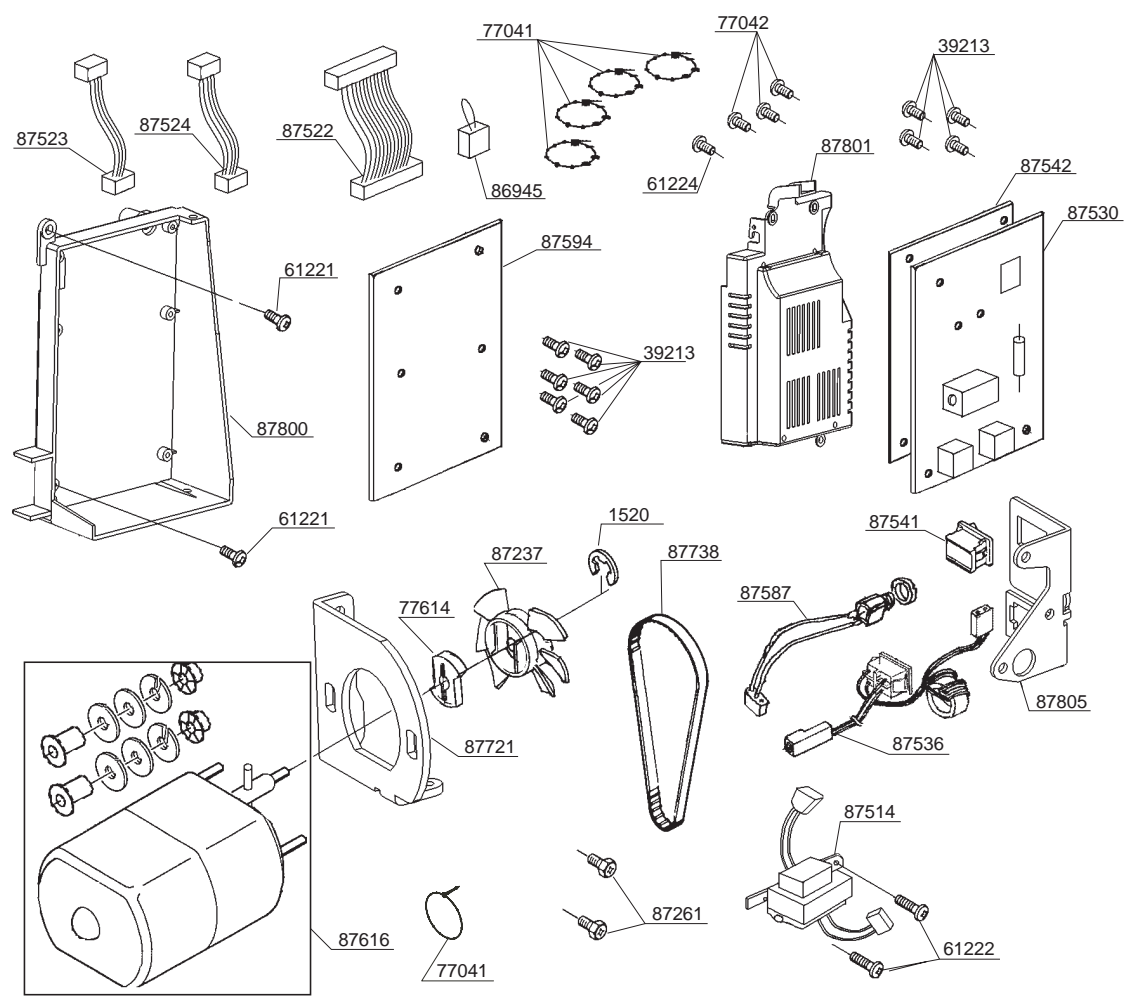
# H



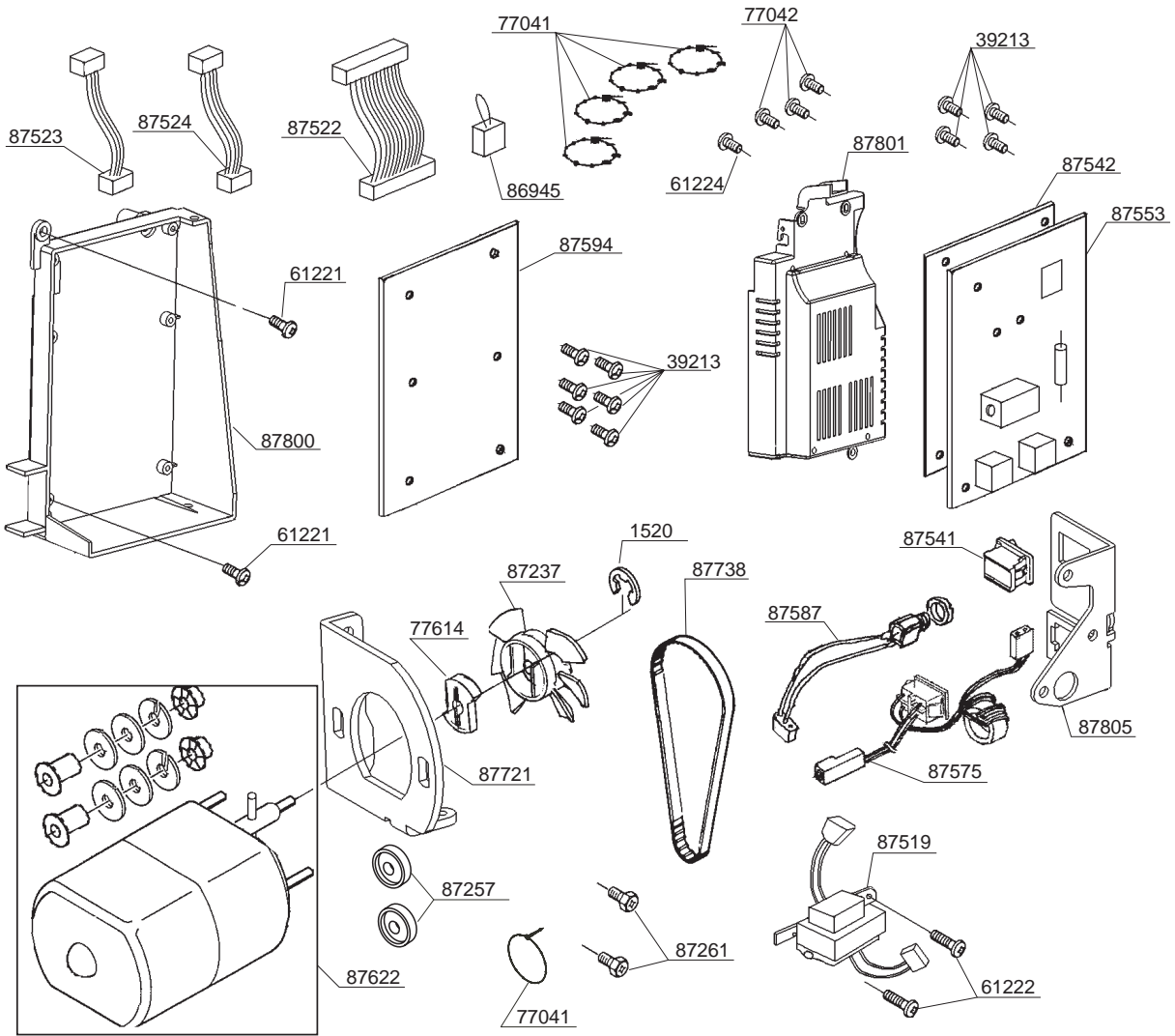
J



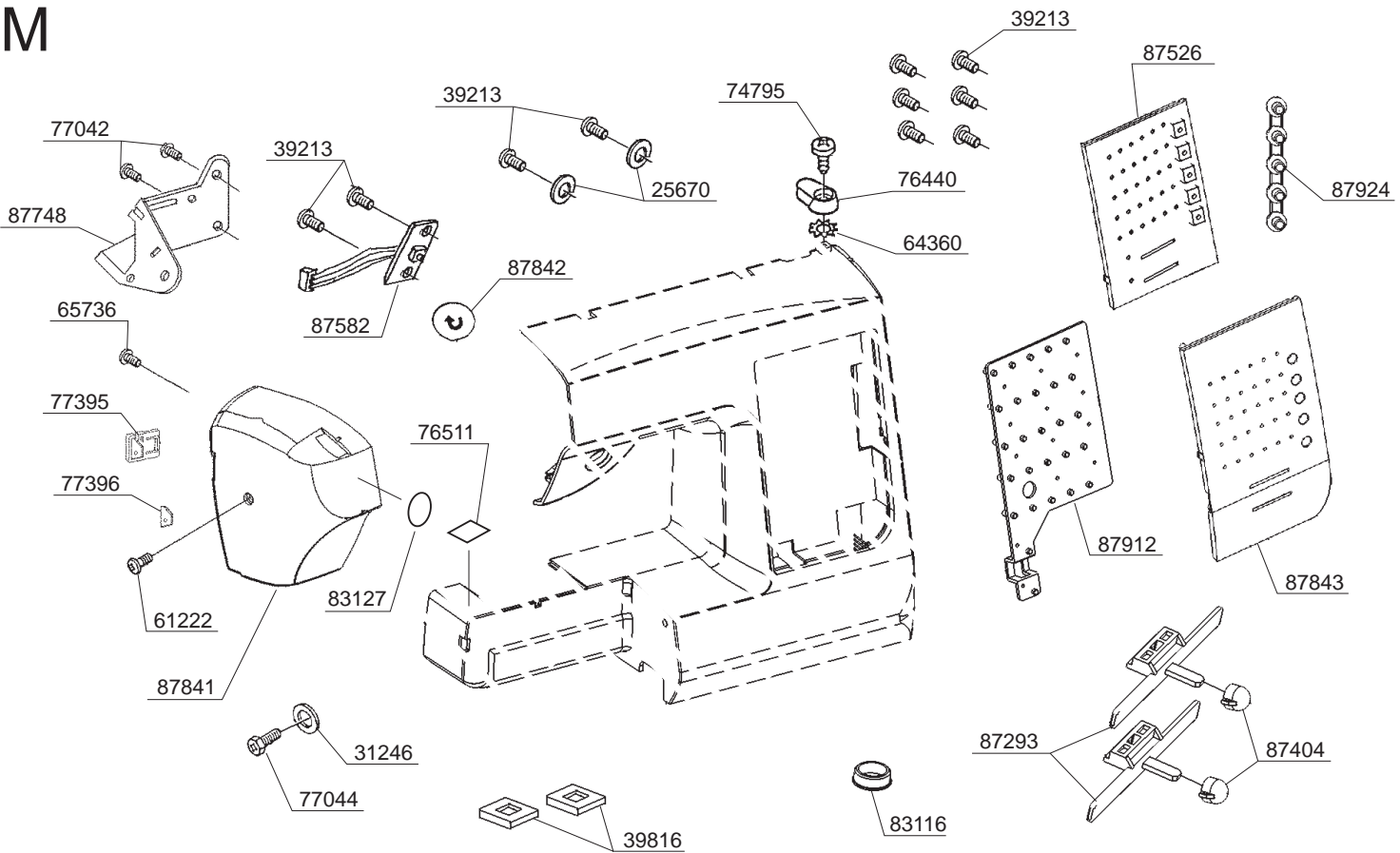
K



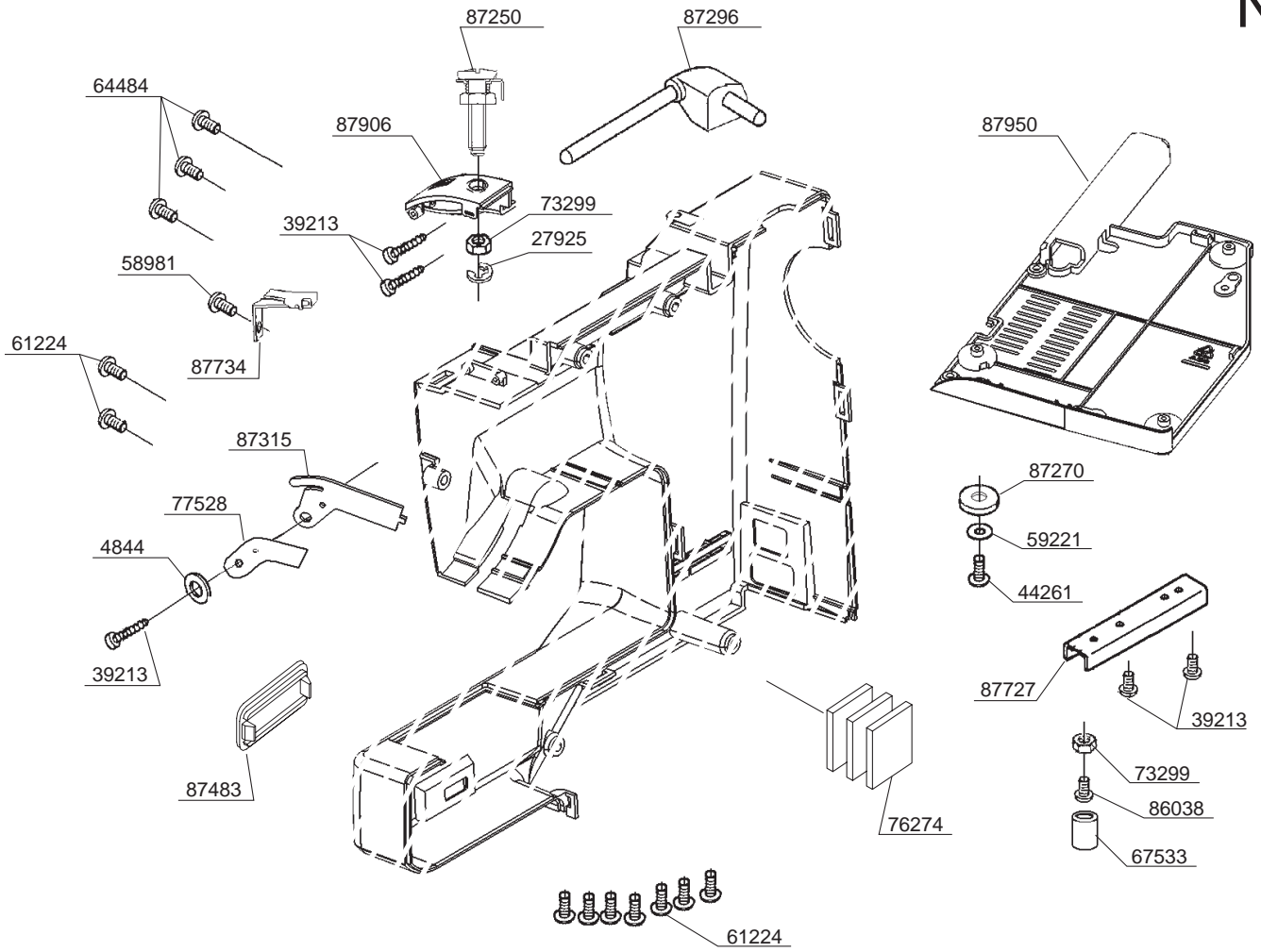
L

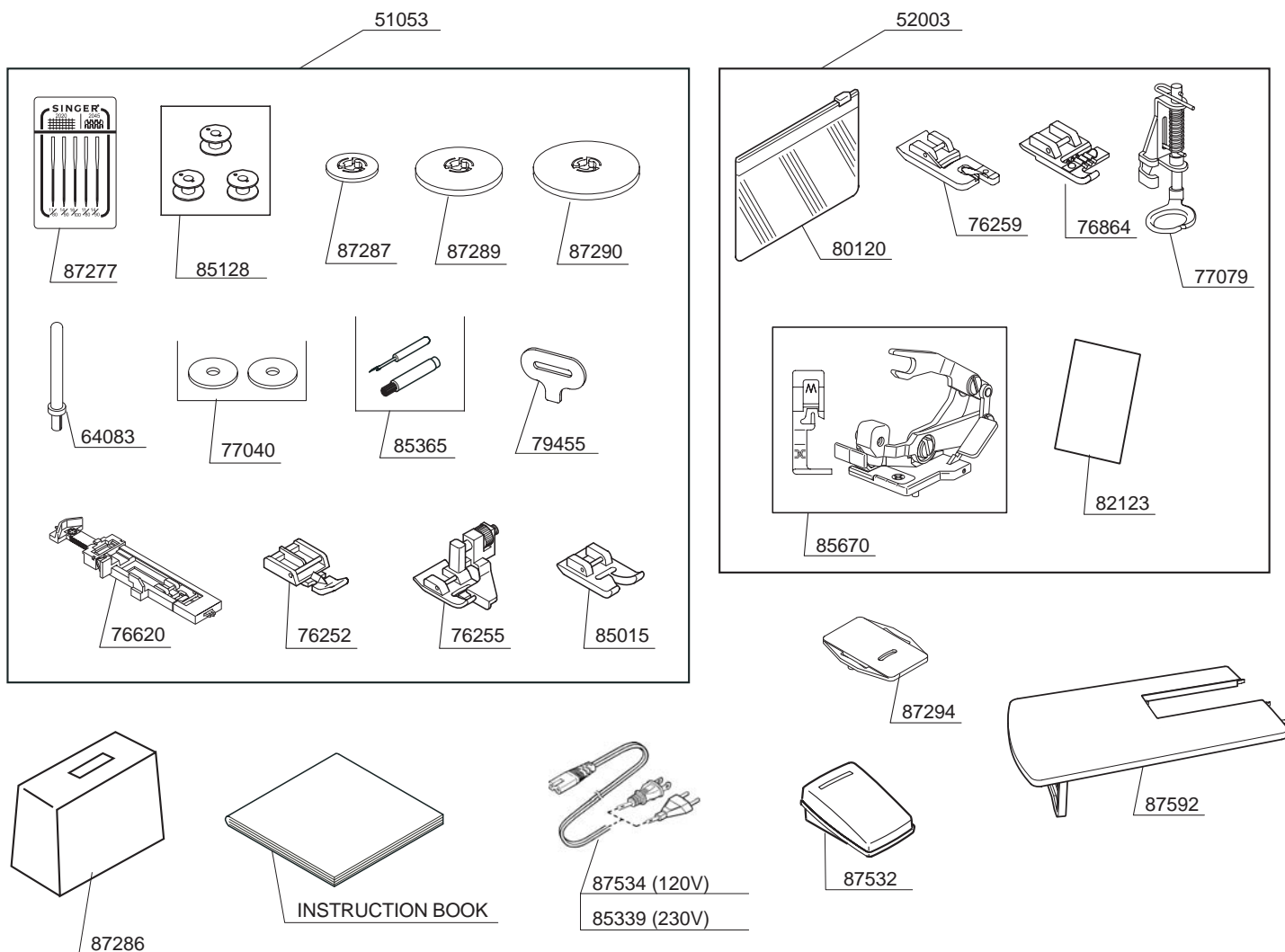


M









- 51053 ACCESSORY SET
- 52003 ACCESSORY SET
- 64083 SPOOL PIN
- 76252 ZIPPER FOOT
- 76255 BLIND STITCH FOOT
- 76259 ROLLED HEMMER
- 76620 BUTTONHOLE FOOT
- 76864 CORDING FOOT
- 77040 SPOOL PIN DISC
- 77079 DARNING & EMBROIDERY FOOT
- 79455 LARGE SCREW DRIVER
- 80120 ACCESSORY VINYL BAG
- 82093 INSTRUCTION BOOK (Eng/Fre/Spa)
- 82123 INSTRUCTION SHEET
- 85015 SATIN FOOT
- 85128 BOBBIN
- 85339 POWER CORD (230V)
- 85365 BUTTONHOLE OPENER / BRUSH
- 85670 LOCK CUTTER
- 87277 NEEDLE SET
- 87286 VINYL COVER
- 87287 SPOOL PIN CAP (MINI)
- 87289 SPOOL PIN CAP (SMALL)
- 87290 SPOOL PIN CAP (LARGE)
- 87294 DARNING PLATE
- 87532 FOOT CONTROL (PIN-JACK TYPE)
- 87534 POWER CORD (120V)
- 87592 EXTENSION TABLE

| PART NO. | DESCRIPTION             | PAGE | PART NO.  | DESCRIPTION                    | PAGE          |
|----------|-------------------------|------|-----------|--------------------------------|---------------|
| 1504     | E6 CLIP-ON-WASHER       |      | G         | 73900 M3 PHILIPS SCREW         | C,D,E,H       |
| 1513     | E4 CLIP-ON-WASHER       |      | A,B,D,H,J | 74050 EXTENSION SPRING         | D             |
| 1520     | E3 CLIP-ON-WASHER       |      | E,H,K,L   | 74795 TAPPING SCREW            | M             |
| 4844     | WASHER                  |      | N         | 75022 THREAD GUIDE             | D             |
| 8400     | E5 CLIP-ON-WASHER       |      | B         | 75024 STOPPER                  | D             |
| 10963    | E6 CLIP-ON-WASHER       |      | B,C,G     | 75025 GUIDE BLOCK              | D             |
| 25670    | WASHER                  |      | M         | 75027 COMPRESSION SPRING       | D             |
| 26934    | #8 SCREW                |      | D         | 75047 CLUTCH                   | B             |
| 27925    | E2.5 CLIP-ON-WASHER     |      | N         | 75194 TORSION SPRING           | B             |
| 28917    | HOOK FOR SPRING         |      | D         | 75274 M4 PHILIPS SCREW         | B             |
| 31246    | WASHER                  |      | J,M       | 75274 M4 PHILIPS SCREW         | H             |
| 31733    | M3 NUT                  |      | D         | 76114 COVER GUIDE (R)          | E             |
| 32949    | WASHER                  |      | H         | 76132 SHAFT                    | H             |
| 39213    | M3 SCREW                |      | D,K,L,M,N | 76141 BALL METAL               | G             |
| 39816    | M4 SQUARE NUT           |      | M         | 76159 COMPRESSION LEVER        | E             |
| 43389    | THRUST WASHER           |      | B         | 76203 OILING CORD              | G             |
| 43390    | THRUST WASHER           |      | G         | 76251 ZIGZAG PRESSER FOOT      | E             |
| 43392    | THRUST WASHER           |      | G         | 76252 ZIPPER FOOT              | O             |
| 43930    | SPRING PIN              |      | B         | 76255 BLIND STITCH FOOT        | O             |
| 44066    | SPRING PIN              |      | B         | 76259 ROLLED HEMMER            | O             |
| 44261    | M4 SCREW                |      | N         | 76274 SPACER                   | N             |
| 51049    | FEED REGULATOR UNIT     |      | J         | 76317 M3 PHILLIPS SCREW        | D,E           |
| 51053    | ACCESSORY SET           |      | O         | 76324 M4 SCREW                 | D             |
| 51058    | RETAINER SET            |      | H         | 76440 BOBBIN WINDER LATCH      | M             |
| 51099    | NEEDLE PLATE SET        |      | E         | 76511 SEAL                     | M             |
| 52003    | ACCESSORY SET           |      | O         | 76620 BUTTONHOLE FOOT          | O             |
| 52014    | TENSION ASSY            |      | F         | 76864 CORDING FOOT             | O             |
| 52015    | THREAD GUIDE PLATE ASSY |      | F         | 77040 SPOOL PIN DISC           | O             |
| 53321    | THRUST WASHER           |      | D         | 77041 UNITY FASTENER           | D,F,J,K,L     |
| 53403    | WASHER                  |      | B         | 77042 M4 PHILIPS SCREW         | A,C,D,E,H,K,L |
| 56858    | M2 PHILIPS SCREW        |      | E         | 77043 FELT                     | D,E           |
| 58981    | TAPPING SCREW           |      | N         | 77044 M3 PHILIPS SCREW         | M             |
| 59221    | WASHER                  |      | J,N       | 77053 M3 PHILIPS SCREW         | C             |
| 61221    | M4 PHILIPS SCREW        |      | H,K,L     | 77079 DARNING & EMB. FOOT      | O             |
| 61222    | M4 PHILIPS SCREW        |      | K,L,M     | 77395 BLADE FIXTURE            | M             |
| 61224    | M4 PHILIPS SCREW        |      | B,K,L,N   | 77396 BLADE                    | M             |
| 61225    | M4 PHILIPS SCREW        |      | K,L       | 77421 THREADER ASSEMBLY        | D             |
| 62215    | M4 NUT                  |      | F         | 77434 HEADED PIN               | B             |
| 62307    | M4 SCREW                |      | B         | 77504 TAKE-UP LEVER CRANK      | B             |
| 63278    | PRESSER BAR             |      | E         | 77506 TAPPING SCREW            | B             |
| 63796    | M3 SCREW                |      | D,J       | 77507 SNAP RING $\phi 4$       | B             |
| 63805    | WASHER                  |      | D,J       | 77527 SENSOR COVER             | D,J           |
| 64051    | M4 SCREW                |      | E         | 77528 SPRING PLATE             | N             |
| 64083    | SPOOL PIN               |      | O         | 77531 TAKE-UP LEVER            | B             |
| 64179    | SPRING PIN              |      | G         | 77614 GEAR CLUTCH              | K,L           |
| 64359    | M4 SCREW                |      | D         | 79455 LARGE SCREW DRIVER       | O             |
| 64360    | TOOTHED WASHER          |      | M         | 79491 SCREW                    | E             |
| 64484    | TAPPING SCREW           |      | N         | 80070 CORD GUIDE               | A             |
| 64653    | M3 SCREW                |      | D,H,J     | 80078 SHUTTLE RACE SHAFT       | G             |
| 66005    | M2 PHILLIPS SCREW       |      | D,E       | 80079 CORD GUIDE               | E             |
| 66052    | M4 SCREW                |      | B         | 80095 STRAIGHT PIN             | D             |
| 66235    | SECURING PLATE          |      | B         | 80096 M2 PHILIPS SCREW         | E             |
| 66474    | M5 SCREW                |      | B         | 80102 CONTROL PLATE            | E             |
| 66587    | WASHER                  |      | B         | 80110 M3 PHILIPS SCREW         | J             |
| 66725    | M4 SCREW                |      | B,D,G,H   | 80120 ACCESSORY VINYL BAG      | O             |
| 66727    | M4 SCREW                |      | B,E,G     | 80123 M3 PHILIPS SCREW         | J             |
| 66787    | WASHER                  |      | B         | 80137 COUPLING                 | B             |
| 67232    | NEEDLE                  |      | D         | 80162 FIXING RING              | B             |
| 67444    | COLLAR                  |      | G         | 82093 INST. BOOK (Eng/Fre/Spa) | O             |
| 67447    | M5 SCREW                |      | B,G       | 82123 INSTRUCTION SHEET        | O             |
| 67533    | RUBBER FOOT             |      | N         | 83116 CAP                      | M             |
| 68152    | BALL BUSH               |      | B         | 83127 SEAL                     | M             |
| 68299    | #7 SCREW FOR SHANK      |      | E         | 85013 POSITIONING COLLAR       | B             |
| 68343    | PIN                     |      | D         | 85015 SATIN FOOT               | O             |
| 72266    | M4 STUD SCREW           |      | F         | 85016 PRESSER FOOT HOLDER      | E             |
| 72367    | M4 CP SCREW             |      | D         | 85041 NEEDLE BAR               | D             |
| 73299    | M4 TORQUE NUT           |      | D,H,N     | 85046 COLLAR                   | B             |
| 73371    | M6 SCREW                |      | B         | 85064 EXTENSION SPRING         | E             |
| 73434    | M4 PHILIPS SCREW        |      | B,G       | 85065 COMPRESSION SPRING       | E             |

| PART NO. | DESCRIPTION                     | PAGE | PART NO. | DESCRIPTION                  | PAGE  |
|----------|---------------------------------|------|----------|------------------------------|-------|
| 85128    | BOBBIN                          | G,O  | 87257    | BUSH                         | L     |
| 85138    | TENSION ROLLER                  | B    | 87261    | CP BOLT                      | J,K,L |
| 85181    | LEAF SPRING                     | E    | 87262    | M3 CP SCREW                  | H,J   |
| 85198    | BH PLATE (A)                    | E    | 87265    | SPACER                       | D     |
| 85217    | RETAINER                        | B    | 87267    | INSULATION SHEET             | D     |
| 85247    | SECURING PLATE                  | G    | 87268    | M6 NUT                       | H     |
| 85252    | WASHER                          | H    | 87269    | WASHER                       | H     |
| 85262    | M2 SCREW                        | E    | 87270    | RUBBER FOOT                  | N     |
| 85274    | M2 SCREW                        | C    | 87273    | PIN                          | J     |
| 85339    | POWER CORD (230V)               | O    | 87274    | WASHER                       | J     |
| 85365    | BUTTONHOLE OPENER / BRUSH       | O    | 87277    | NEEDLE SET                   | O     |
| 85670    | LOCK CUTTER                     | O    | 87286    | VINYL COVER                  | O     |
| 86038    | STUD SCREW                      | N    | 87287    | SPOOL PIN CAP (MINI)         | O     |
| 86132    | BOBBIN CASE                     | G    | 87288    | PULLEY CAP                   | B     |
| 86945    | JUMPER HARNESS                  | K,L  | 87289    | SPOOL PIN CAP (SMALL)        | O     |
| 87050    | BEVEL GEAR                      | G    | 87290    | SPOOL PIN CAP (LARGE)        | O     |
| 87051    | SHUTTLE RACE                    | G    | 87293    | SLIDE LEVER                  | M     |
| 87103    | FEED DOG BASE                   | H    | 87294    | DARNING PLATE                | O     |
| 87104    | FEED DOG BASE SUPPORT           | H    | 87296    | SPOOL PIN UNIT               | N     |
| 87105    | FEED DOG                        | H    | 87299    | PULLEY                       | B     |
| 87111    | NEEDLE BAR SWING BRACKET        | D    | 87315    | TENSION PLATE                | N     |
| 87114    | PRESSURE BAR GUIDE              | E    | 87344    | BLADE                        | E     |
| 87117    | BH PLATE (B)                    | E    | 87396    | THREAD CONTROL PLATE         | E     |
| 87118    | BH PLATE (C)                    | E    | 87404    | KNOB                         | M     |
| 87120    | THREAD GUIDE PLATE              | D    | 87433    | TORSION SPRING               | H     |
| 87122    | SUPPORT PLATE                   | H    | 87456    | NEEDLE COVER PLATE           | E     |
| 87125    | IDLER PULLEY BRACKET            | B    | 87483    | CAP                          | N     |
| 87128    | MOUNTING BRACKET                | C    | 87502    | LED LIGHT CIRCUIT BOARD      | D     |
| 87129    | RETAINER                        | C    | 87507    | BH SWITCH HARNESS            | E     |
| 87145    | SECURING BRACKET                | H    | 87514    | TRANSFORMER                  | K     |
| 87146    | BRACKET                         | J    | 87517    | SWITCH HARNESS FOR ZIGZAG    | D     |
| 87148    | STEPPING MOTOR BRACKET          | J    | 87519    | TRANSFORMER                  | L     |
| 87154    | NEEDLE CLAMP SET                | D    | 87522    | 13P CORD HARNESS             | K,L   |
| 87170    | BALL METAL                      | G    | 87523    | CORD HARNESS                 | K,L   |
| 87171    | TIMING BELT GEAR (LOWER)        | G    | 87524    | 5P CORD HARNESS              | K,L   |
| 87174    | FORKED CRANK                    | H    | 87526    | SWITCH CIRCUIT BOARD         | M     |
| 87178    | FEED REGULATOR SHAFT METAL BUSH | J    | 87530    | CIRCUIT BOARD                | K     |
| 87180    | EXTENSION SPRING                | C    | 87532    | FOOT CONTROL (PIN-JACK TYPE) | O     |
| 87182    | TORSION SPRING                  | C    | 87534    | POWER CORD (120V)            | O     |
| 87183    | SPRING                          | D    | 87536    | INLET HARNESS                | K     |
| 87184    | SPRING                          | D    | 87541    | SWITCH                       | K,L   |
| 87186    | TORSION SPRING                  | H    | 87542    | INSULATION SHEET             | K,L   |
| 87188    | EXTENSION SPRING                | J    | 87553    | CIRCUIT BOARD                | L     |
| 87189    | COMPRESSION SPRING              | J    | 87575    | INLET HARNESS                | L     |
| 87191    | COMPRESSION SPRING              | J    | 87576    | PHOTO SENSOR CIRCUIT BOARD   | C     |
| 87202    | SHAFT                           | H    | 87582    | SWITCH HARNESS               | M     |
| 87203    | SHAFT                           | H    | 87584    | SWITCH HARNESS               | C     |
| 87206    | PIN                             | H    | 87586    | SWITCH HARNESS               | J     |
| 87207    | STRAIGHT PIN                    | D    | 87587    | PIN-JACK HARNESS             | K,L   |
| 87208    | BALL HEADED PIN                 | H    | 87592    | EXTENSION TABLE              | O     |
| 87210    | PIN                             | H    | 87594    | CPU CIRCUIT BOARD            | K,L   |
| 87211    | M3 SCREW                        | D    | 87600    | STEPPING MOTOR               | D,J   |
| 87212    | M4 SCREW                        | F    | 87616    | MAIN MOTOR                   | K     |
| 87216    | PIN                             | A    | 87622    | MAIN MOTOR                   | L     |
| 87220    | BELT PULLEY                     | B    | 87668    | M4 BOLT                      | J     |
| 87221    | UPPER TIMING BELT GEAR          | B    | 87701    | NEEDLE BAR SUPPORT           | D     |
| 87225    | ECCENTRIC CAM                   | D    | 87703    | NEEDLE BAR CRANK SET         | D     |
| 87226    | VERTICAL FEED BLOCK             | H    | 87704    | TAKE-UP LEVER SHAFT BLOCK    | B     |
| 87228    | FEED CAM                        | G    | 87705    | MAIN SHAFT                   | B     |
| 87232    | M6 STUD SCREW                   | H    | 87707    | STUD SCREW                   | B     |
| 87234    | RELEASE LEVER                   | E    | 87709    | BALANCER                     | B     |
| 87235    | ZIGZAG CAM WITH GEAR            | D    | 87710    | LOWER STRAIGHT SHAFT         | G     |
| 87236    | LED LIGHT COVER                 | D    | 87714    | PRESSURE BAR BRACKET SET     | E     |
| 87237    | MOTOR FAN                       | K,L  | 87717    | TENSION RELEASE LEVER        | F     |
| 87241    | ENCODER                         | B    | 87718    | MOUNTING BRACKET             | C     |
| 87242    | INSULATION SHEET                | C    | 87719    | SECURING PLATE               | D     |
| 87246    | PINION GEAR                     | D    | 87720    | BRACKET                      | A     |
| 87250    | M4 SPECIAL SCREW UNIT           | N    | 87721    | MAIN MOTOR BRACKET           | K,L   |
| 87253    | PINION GEAR                     | J    | 87722    | NEEDLE BAR SUPPORT BRACKET   | D     |

| PART NO. | DESCRIPTION                | PAGE |
|----------|----------------------------|------|
| 87724    | L-R LIMITER                | D    |
| 87725    | BRACKET                    | A    |
| 87726    | NEEDLE BAR ADJUSTING PLATE | D    |
| 87727    | LEG                        | N    |
| 87728    | HANDLE BRACKET             | A    |
| 87731    | GEAR                       | B    |
| 87732    | COLLAR                     | B    |
| 87733    | THREADER SHAFT SET         | D    |
| 87734    | RETAINER                   | N    |
| 87737    | TIMING BELT                | B    |
| 87738    | DRIVING BELT               | K,L  |
| 87739    | BOBBIN WINDER BRACKET      | C    |
| 87746    | BRACKET                    | A    |
| 87748    | FACE COVER BRACKET         | M    |
| 87749    | M3 SHOULDER SCREW          | C    |
| 87750    | BOBBIN WINDER BRACKET UNIT | C    |
| 87800    | CPU CIRCUIT BOARD BOX      | K,L  |
| 87801    | AC CIRCUIT BOARD BOX       | K,L  |
| 87805    | SWITCH BRACKET             | K,L  |
| 87806    | PRESSURE BAR LIFTER        | F    |
| 87807    | MAIN SHAFT GEAR            | B    |
| 87811    | BELL CLANK FOR ZIGZAG      | D    |
| 87815    | BOBBIN WINDER UNIT         | C    |
| 87841    | FACE COVER                 | M    |
| 87842    | BUTTON                     | M    |
| 87843    | CONTROL PANEL              | M    |
| 87906    | TENSION CAP                | N    |
| 87907    | HANDLE                     | A    |
| 87908    | ACC. BOX                   | A    |
| 87912    | LED PANEL                  | M    |
| 87924    | PATTERN SWITCH             | M    |
| 87950    | BOTTOM COVER               | N    |
| 88115    | LIFTING CAM                | G    |
| 88118    | FEED REGULATOR             | J    |
| 88320    | NEEDLE PLATE               | E    |
| 88321    | COVER GUIDE (L)            | E    |
| 88322    | BLADE PALTE                | E    |
| 88323    | BRACKET                    | E    |
| 88324    | BOBBIN CASE STOPPER        | E    |
| 88325    | BRACKET                    | E    |