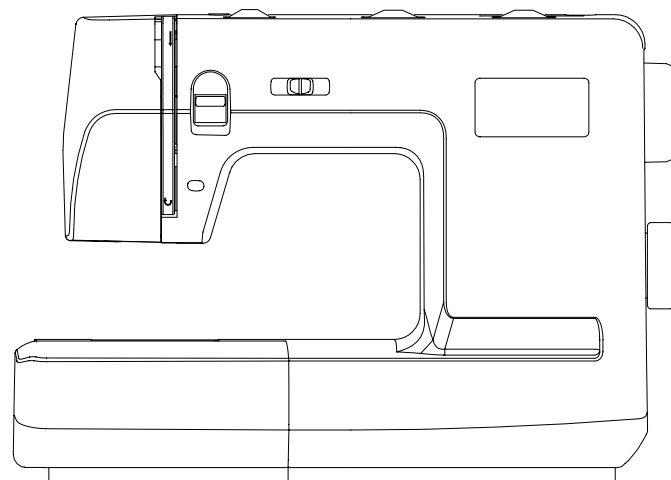


# Parts List



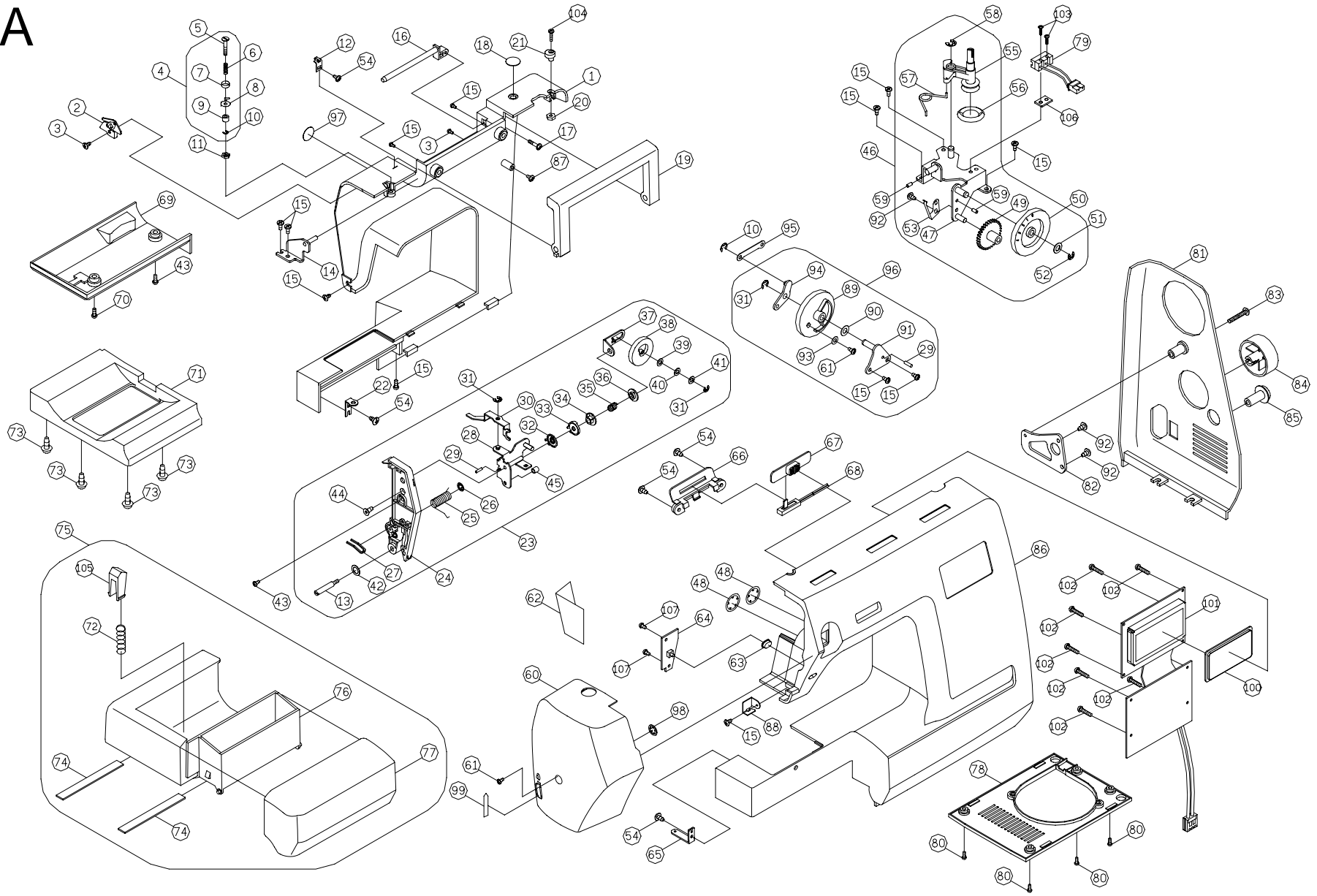
**SINGER®**

Model 7380

(Model 950DE)

029190035 (1版)

A

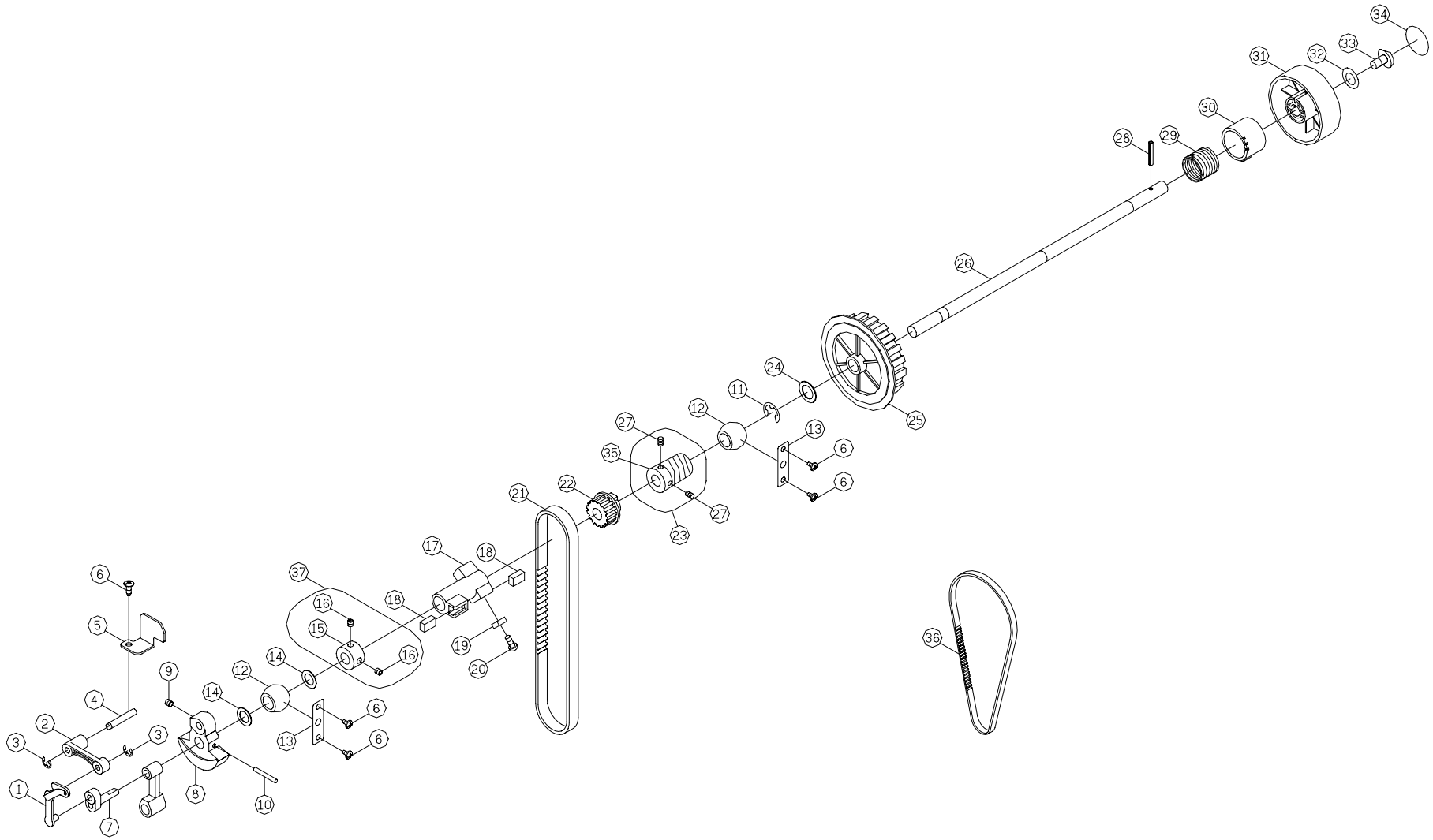


No.	Part No.	Description
1	EJD6033210	Back cover
2	V610155000	Thread guide complete
3	004230326*	Set screw (M3x12)
4	E1A2065000	Bobbin winder thread guide complete
5	E1A2053001*	Bobbin winder thread guide adjusting
6	H13153001	Bobbin winder thread guide spring
7	H13133001	Bobbin winder spring disc
8	V610223001	Bobbin winder thread guide
9	E1A2353006	Spacer
10	003010036	E-Ring (E-3)
11	004840106	Nut (ALN-4)
12	E1A2043001	Thread guide
13	004240982	Set screw (M3)
14	V61253006	Arm top cover plate
15	004240106	Set screw (M4x8 A)
16	E1A1663210	Spool rod
17	004230655	Set screw (M3x1.06 B)
18	V410123210	Plate
19	E1A1763210	Handle
20	004706013	Nut (9/64x40 t=3)
21	E1A2393000	Bobbin winder stopper
22	E1A1673002	Arm back cover set plate
23	END0044210	Dial tension complete
24	EJD0033210	Dial tension supporter plate cover
25	E1A2073000	Thread guide sprig
26	003020453*	CS ring (CSTW-4.5)
27	V61873000	Thread guide
28	E1A2183006	Dial tension supporter plate
29	003043010	Spring pin (ø3x10x0.6)
30	E1A2113003	Dial tension waft plate
31	003010043*	E-Ring (E-4)
32	J30423001	Dial tension disc (1)
33	E1A2333001	Dial tension disc
34	R10593000	Dial tension spring regulator
35	NB1083000	Dial tension spring
36	K50193000	Dial tension regulator

No.	Part No.	Description
37	V60273006	Dial tension spring plate
38	EAC7783210	Dial tension knob
39	004300713*	Washer (5.2x10x0.2)
40	004500360*	Washer (WW-5)
41	004300643*	Washer (5.2x10x0.5)
42	004300136	Washer (4.2x8x0.8)
43	004240146*	Set screw (M4x15 B)
44	004240176*	Set screw (M4x6 D)
45	H11103001	Dial tension guide spring tube
46	EJD9264210	Bobbin winder frame complete
47	EJD0215000	Bobbin winder frame
48	003020033	CS ring (CS-3)
49	V61183000	Feed regulator gear
50	END9293210	Feed regulator dial
51	004300186*	Washer (6.2x12x0.5)
52	003010046*	E-Ring (E-4)
53	EAA0203003	Feed regulator set plate
54	004230215	Set screw (M3x8.5)
55	V61165000	Bobbin winder crank complete
56	F20213000	Bobbin winder rubber pulley
57	V61563003	Bobbin winder crank spring
58	003011052*	E-Ring (E-5)
59	003043006	Spring pin (ø3x6x0.6)
60	EJD7193210	Face plate
61	004240782*	Set screw (M4x10 B)
62	E1A2523000	Heat resistant plate
63	EJD0043210	Needle position knob
64	008588901	Up & down fixed position switch (for 120V)
65	E1A1623002	Arm front cover set plate
66	EMC0053210	Slide volume knob connector
67	EJD0063210	Slide volume knob
68	008589901	Slide volume (for 120V)
69	E3A0203210	Free arm base
70	004240136*	Set screw (M4x12 B)
71	E1A1753210	Free arm foot bush
72	H10143005	Sewing table body guide spring

No.	Part No.	Description
73	004230746*	Set screw (M3x12)
74	E1A1843000	Sewing table body felt
75	EJD0085210	Sewing table complete
76	E1A1823210	Sewing table body
77	EJD0083210	Sewing table body cover
78	E1A1863210	Cord reel cover
79	008592901	Thread winding switch
80	004240046*	Set screw (M4x10 B)
81	EJD6043210	Motor drive belt cover
82	E1A1723003	Motor drive belt cover frame
83	004241106*	Set screw (M4x0.7A)L=25
84	E4A0053210	Selector dial (big)
85	E1A1703210	Adjusting dial
86	END0023210	Front cover
87	004240306*	Set screw (M4x10 B)
88	E1A1883001	Arm top cover thread guide plate
89	F4A8763210	Zig zag width dial
90	004900063	Washer (6.2x12x2.0x0.15)
91	E3A0113006	Zig zag width dial plate
92	004240056*	Set screw (M4x6 B)
93	004300076*	Washer (4.2x9x0.5)
94	E3A0143006	Zig zag width crank
95	E3A0153003	Zig zag width crank rod
96	F4A8764210	Zig zag width dial complete
97	V61503210	Plate (1)
98	003020053	CS ring (CS-5)
99	V630593000	Thread cutter
100	EJD0253000	LCD plastic cover
101	008650901	Pattern display P.C. board
102	004226012*	Set screw (M2.6xL8)
103	004220130*	Set screw (M2x10)
104	004106162*	Set screw (9/64x40x16)
105	H10133211	Sewing table body guide
106	008632000	Consent insulation plate
107	004230126	Set screw (M3x8 B)

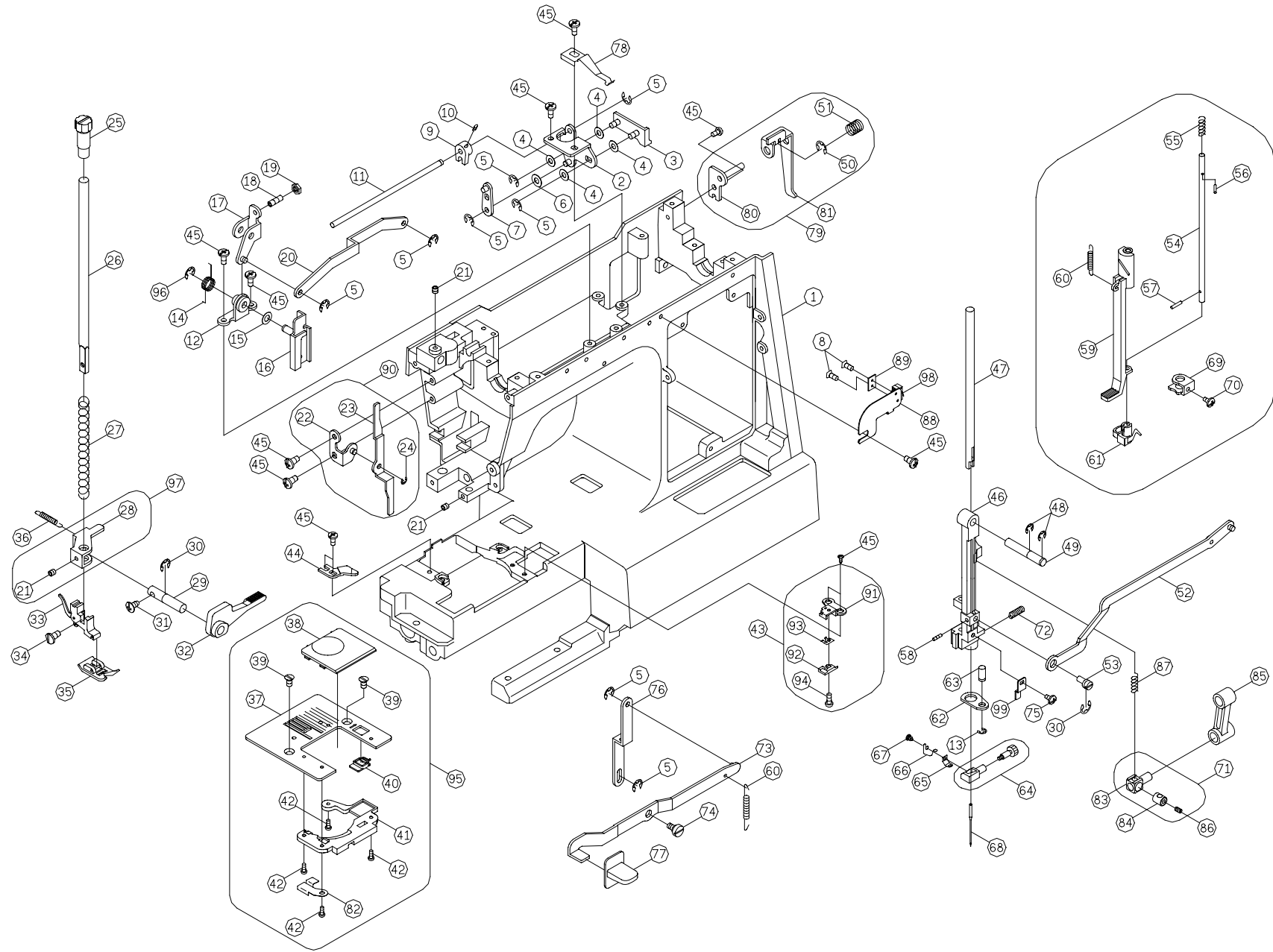
B



No.	Part No.	Description
1	E1A2683001	Thread take up lever
2	E1A2653000	Thread take up lever supporter
3	003010043*	E-Ring (ETW-4)
4	V60223003	Thread take up lever supporter shaft
5	E1A2313003	Thread take up lever supporter shaft plate
6	004240106*	Set screw (M4x8 A)
7	E1A2663000	Arm shaft balance pin complete
8	E1A2213000	Arm shaft balance
9	004240223	Set screw(M4x6)
10	003043524*	Arm shaft balance pin (ø3.5x24)
11	003010093	E-Ring (ETW-9)
12	R10293000	Arm shaft bushing
13	E1A2623003	Arm shaft bushing holder plate
14	004400080	Endure attrition washer
15	R10313000	Arm shaft collar
16	004250203*	Set screw (M5x5)
17	008449000	Hand wheel magnet frame
18	J70193000	Hand wheel magnet
19	004840022*	Nut (M4 t=3)
20	004240056*	Set screw (M4x6 B)
21	E1A0083000	Motor drive belt
22	F4A0033000	Arm shaft sprocket
23	E1A0065000	Arm shaft worm complete
24	004300853*	Washer (10.2x15x0.5)
25	E4A0143210	Arm shaft drive belt pulley
26	E1A0044000	Arm shaft
27	004107283*	Set screw (11/64x40x5)
28	003043018*	Spring pin (ø3x18)
29	R10393000	Arm shaft clutch annulus spring
30	R10403000	Arm shaft collar
31	E1A0073210	Hand wheel
32	004300586*	Hand wheel washer (5.2x16x1.0)
33	004250346*	Set screw (M5x10)
34	V16893210	Hand wheel decorated plate
35	E1A0063000	Arm shaft worm
36	007163471	Motor drive belt

No.	Part No.	Description
37	R10304000	Arm shaft collar complete

C

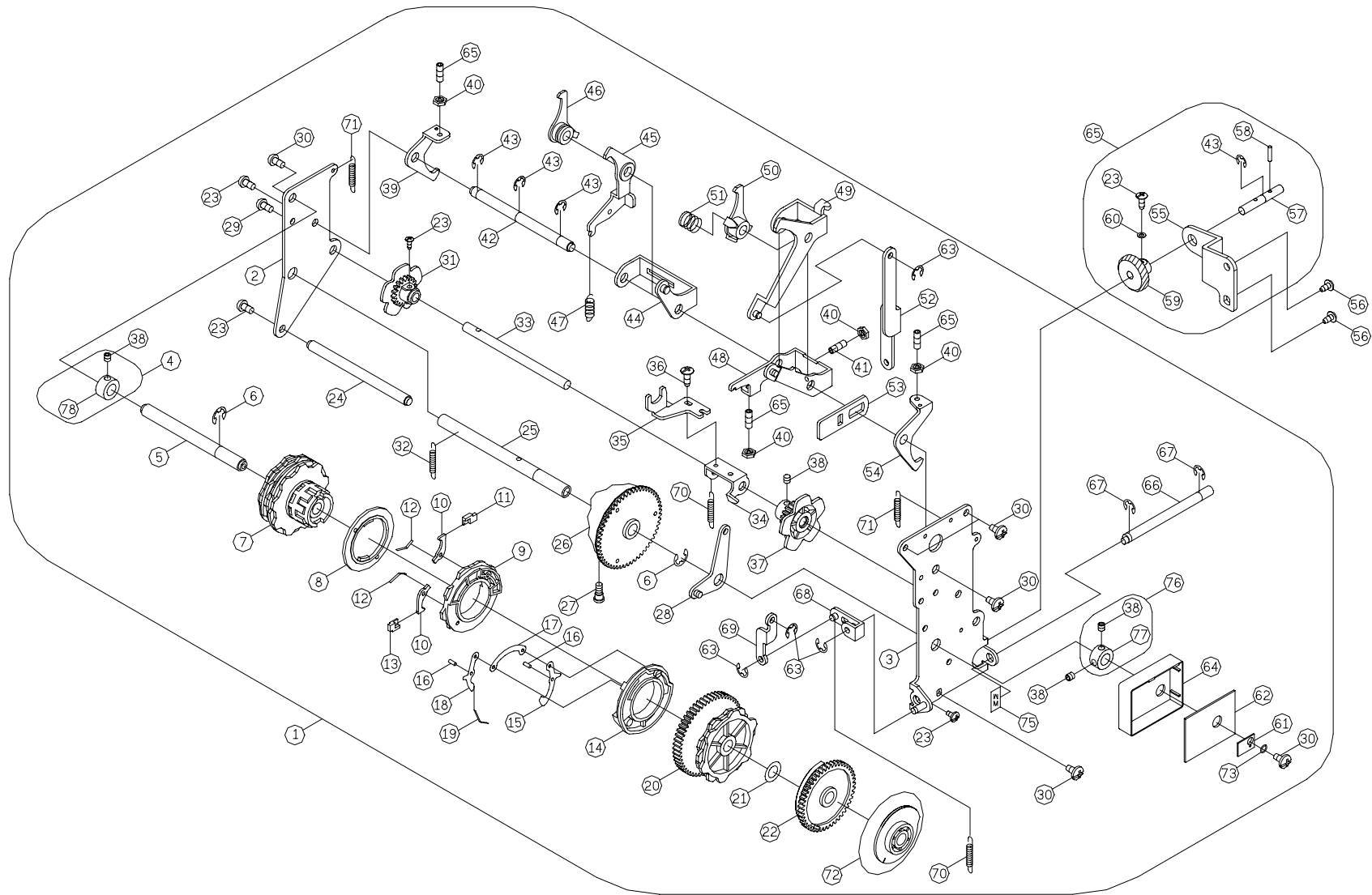


No.	Part No.	Description
1	E1A0013000	Arm
2	E1A1373003	BH selector plate
3	E1A1393003	BH slide plate
4	004300076*	Washer (4.2x9x0.5)
5	003010036*	E-Ring (ETW-3)
6	004300693*	Washer (4.2x12x1.2)
7	E1A1413003	BH selector plate
8	004220130*	Set screw (M2x10)
9	E1A1423000	BH select crank
10	004230036*	Set screw (M3x6 B)
11	E1A1433003	BH select crank shaft
12	E1A1283003	Zig zag width regulating cam plate
13	003010043*	E-Ring (ETW-4)
14	E1A1333003	Zig zag width spring
15	004300713*	Washer (5.2x10x0.2)
16	E1A1303002	Zig zag width regulating cam
17	E1A1323003	Zig zag regulator crank
18	004240633*	Set screw (M4x0.7 L=12)
19	004840106	Set Nut (ALN-4)
20	E1A1343003	Rod
21	004240503*	Set screw (M4x4)
22	E1A0243003	Movement plate supporter (1)
23	E1A0253003	Movement plate (1)
24	003010036*	E-Ring (ETW-3)
25	V620163210	Presser bar regulating screw
26	E1A0143000	Presser bar
27	E1A2493003	Presser bar spring
28	E1A0163003	Presser bar bracket complete
29	E1A2093003	Presser bar lifter lever shaft
30	003010053*	E-Ring (ETW-5)
31	004240146	Set screw (M4x15 B)
32	E1A0173000	Presser bar lifter lever
33	006910008	Shank complete
34	004106211	Shank complete set screw
35	006918008	Zip zap presser foot (9/64x40x7)
36	E1A2323003	Presser bar bracket spring

No.	Part No.	Description
37	E3A0253004	Needle plate
38	NB1293000	Needle plate cover
39	004240851*	Set screw (M4x6)
40	NB0233000	Needle plate cover open
41	E1A2593000	Needle plate cover
42	004103072*	Set screw (SM3/32x56 L=3)
43	E1A0584000	Rotary hook plate complete
44	E1A0593002	Rotary hook plate
45	004240056*	Set screw (M4x6 B)
46	E1A0103000	Needle bar supporter
47	NB0533000	Needle bar
48	003080052*	E-Ring (BETW-5)
49	E1A1893000	Needle bar supporter pin
50	003010046*	E-Ring (ETW-4)
51	V61243003	Clutch rod spring
52	E3A0013003	Needle bar driving rod
53	E1A2433000	Needle bar driving rod pin
54	E1A0113000	Auto threaded shaft
55	R12793003	Auto threaded shaft spring
56	003042014*	Spring pin (ø2x14)
57	003042006	Spring pin
58	004106202*	Set screw (9/64x40x7)
59	E1A0123000	Auto threaded lever
60	M70093000	Auto threaded lever spring
61	E1A2125000	Auto threaded
62	E1A0193003	Needle bar supporter plate
63	E1A0203003	Needle bar supporter plate pin
64	H10205000	Needle clamp complete
65	R12573000	Needle guide plate
66	H10223000	Needle bar thread guide
67	004103011	Set screw
68	006176008	Needle
69	M70073002	Auto threaded stopper
70	004230016*	Set screw (M3x6 A)
71	H10195000	Needle bar crank rod complete
72	H50583003	Needle bar supporter spring

No.	Part No.	Description
73	E1A1543006	Reverse lever
74	004240883	Reverse lever set screw
75	004230016	Set screw (M3x6 A)
76	E1A1553003	Reverse rod
77	EJD0143210	Reverse button
78	E1A2103003	BH cam plate
79	V61205003	Clutch rod complete
80	V61213003	Clutch rod plate
81	V61233003	Clutch rod
82	E1A2603000	Needle plate spring
83	H10253000	Needle bar bracket (1)
84	H10263000	Needle bar bracket (2)
85	F4A3343000	Needle bar crank rod
86	004240503	Set screw (M4x4)
87	H10723003	Tension lever lifter spring
88	EJD0193000	Micro switch supporter (1)
89	008632000	Consent insulation plate
90	E1A0235000	Movement plate supporter complete
91	E1A0603002	Rotary hook plate (2)
92	F30883000	Rotary hook plate spring (1)
93	F30893000	Rotary hook plate spring (2)
94	004220056	Set screw (M2x2.5)
95	E3A0255000	Needle plate complete
96	003011043	E-Ring (ETW-4)
97	E1A0165000	Presser bar bracket complete
98	008594901	Micro switch supporter S1 complete
99	E1A2613002	Needle bar stopper plate

D



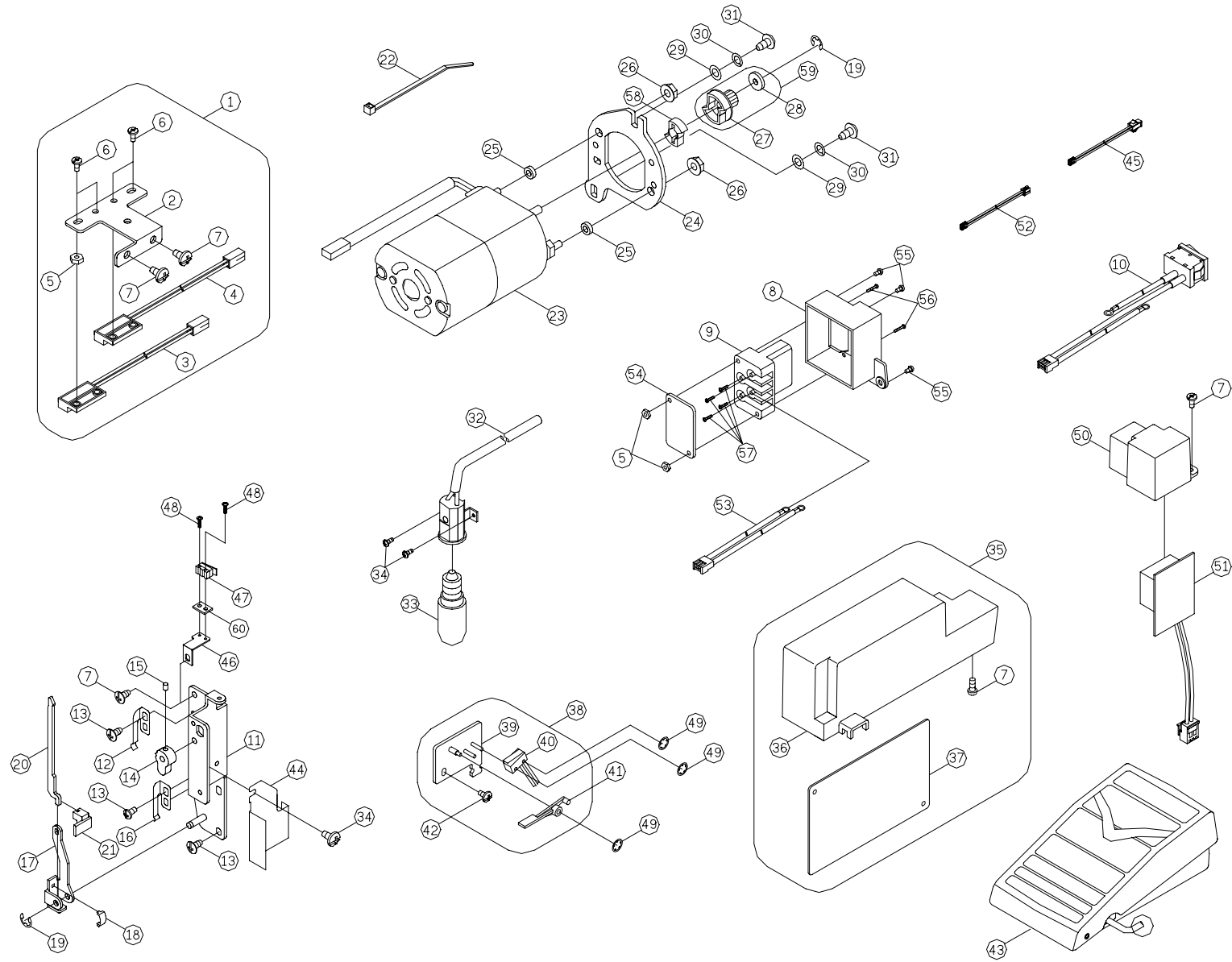


No.	Part No.	Description
1	END0014000	Pattern cam contact complete
2	E1A0673003	Pattern cam contact plate (back)
3	EJD0113003	Pattern cam contact plate (front)
4	H11935000	Pattern cam shaft collar complete
5	E1A0683003	Pattern cam shaft
6	003010063*	E-Ring (ETW-6)
7	E5D0033000	Pattern cam
8	E1A0833000	Straight stitch cam
9	E1A0783000	BH cam
10	E1A0793002	BH contact
11	E1A0813000	BH slide block B
12	E1A0823003	BH contact spring plate
13	E1A0803000	BH slide block A
14	E1A0723000	BH feed regulator cam
15	E1A0743002	BH clutch contact A
16	E1A0733000	BH clutch shaft
17	E1A0763002	BH clutch lever
18	E1A0753002	BH clutch contact B
19	E1A0773003	BH clutch spring plate
20	E5D0023000	SS cam
21	004300863*	Washer (8.2x14x0.5)
22	EAA0033000	Feed regulator cam
23	004230286*	Set screw (M3x8 B)
24	E1A1003003	Pattern cam contact supporter shaft
25	EJD0123003	Pattern selector cam shaft
26	E5D0043000	Pattern selector cam
27	004240423	Set screw (M4)
28	E1A1033003	Pattern selector adjusting lever
29	004240046*	Set screw (M4x10 B)
30	004240106*	Set screw (M4x8 A)
31	E1A1053000	Zig zag cam
32	E1A1223003	Feed regulating crank spring
33	E1A1043000	Pattern selector cam shaft
34	E1A1073006	Zig zag movement contact
35	E1A1083003	Movement plate
36	004230016*	Set screw (M3x6 A)

No.	Part No.	Description
37	F4A3103000	Stretch stitch release
38	004240503*	Set screw (M4x4)
39	E1A0893003	Zig zag release plate
40	004840106*	Nut (ALN-4)
41	004240633*	Set screw (M4x0.7)
42	E1A0843000	Zig zag cam contact supporter shaft
43	003010056*	E-Ring (ETW-5)
44	E1A0853003	Zig zag cam contact supporter
45	E4A0033003	BH Feed crank
46	EAA0063003	Zig zag cam contact
47	E1A0973003	BH Feed crank spring
48	EAA0093003	BH adjusting crank
49	EAA0073003	SS cam contact supporter
50	EAA0083003	SS cam contact
51	E1A0903003	Zig zag release plate
52	E1A0943003	Feed rock shaft
53	E1A0983003	BH adjusting plate
54	E1A0993003	Stretch stitch release plate
55	F4A3303003	Selector dial plate
56	004240056*	Set screw (M4x6 B)
57	E1A1243006	Selector dial shaft
58	003042512*	Spring pin (ø2.5x12)
59	F4A3113000	Selector gear
60	004300676*	Washer (3.2x8x0.8)
61	008121000	Pattern selector touch P.C board
62	008596901	Pattern selector P.C board
63	003010036*	E-Ring (ETW-3)
64	EJD0093210	Selector P.C board box
65	E1A1234000	Selector dial plate complete
66	E1A1113000	Adjusting shaft
67	003010043*	E-Ring (ETW-4)
68	E1A1123003	BH adjusting hook holder
69	E1A1133003	BH adjusting rod
70	M70093000	Auto threaded lever spring
71	H70553003	Spring
72	EAA0023000	Stretch stitch selector cam

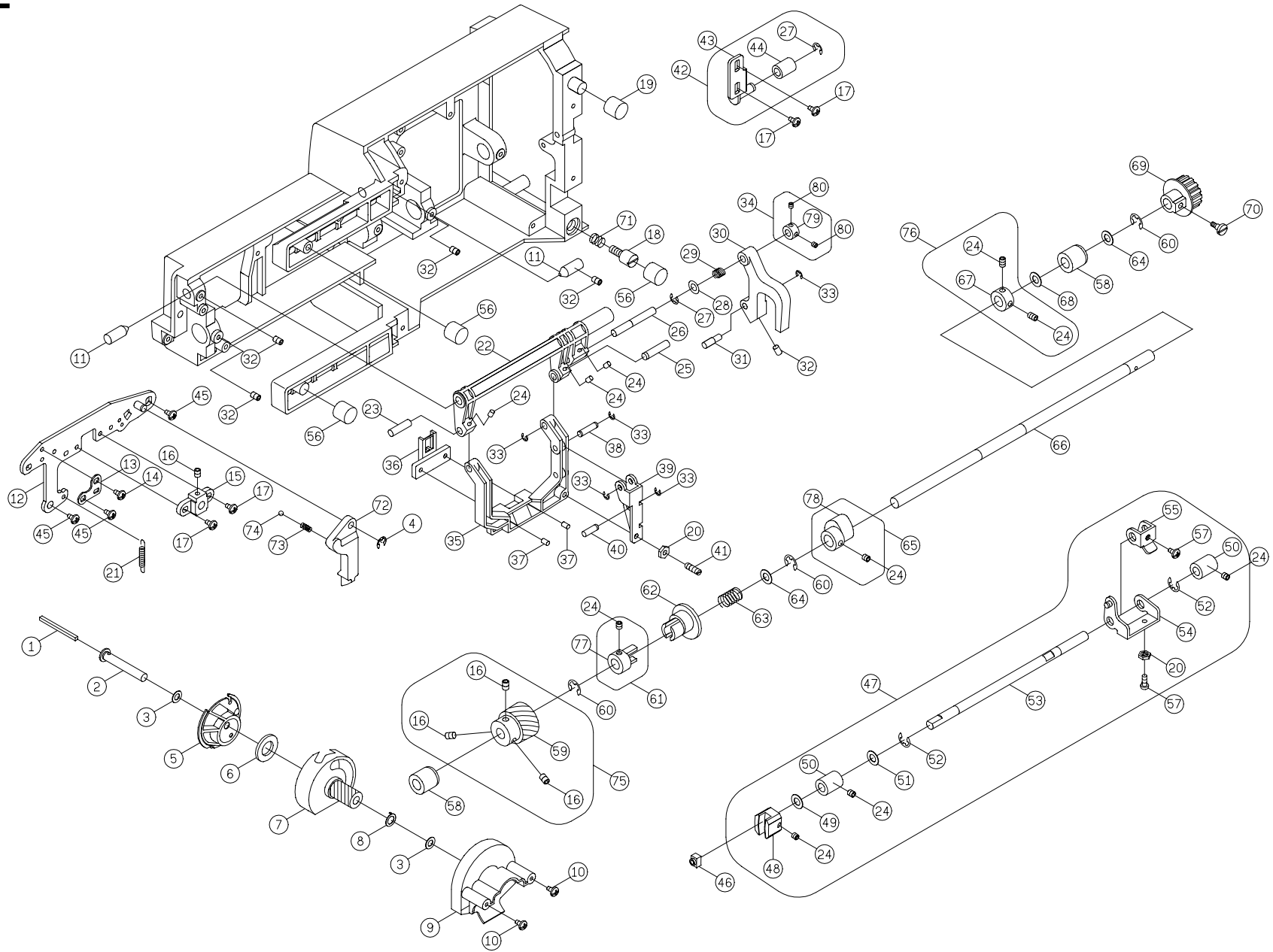
No.	Part No.	Description
73	004600026	Spring washer (4.2x7.2x1.2)
74	004241093*	Set screw (M4x0.7)
75	003070043	Prompt nut (PSN-4)
76	V11564000	Lower shaft collar complete
77	V11553003	Lower shaft collar
78	H11943003	Pattern cam shaft collar

E





F

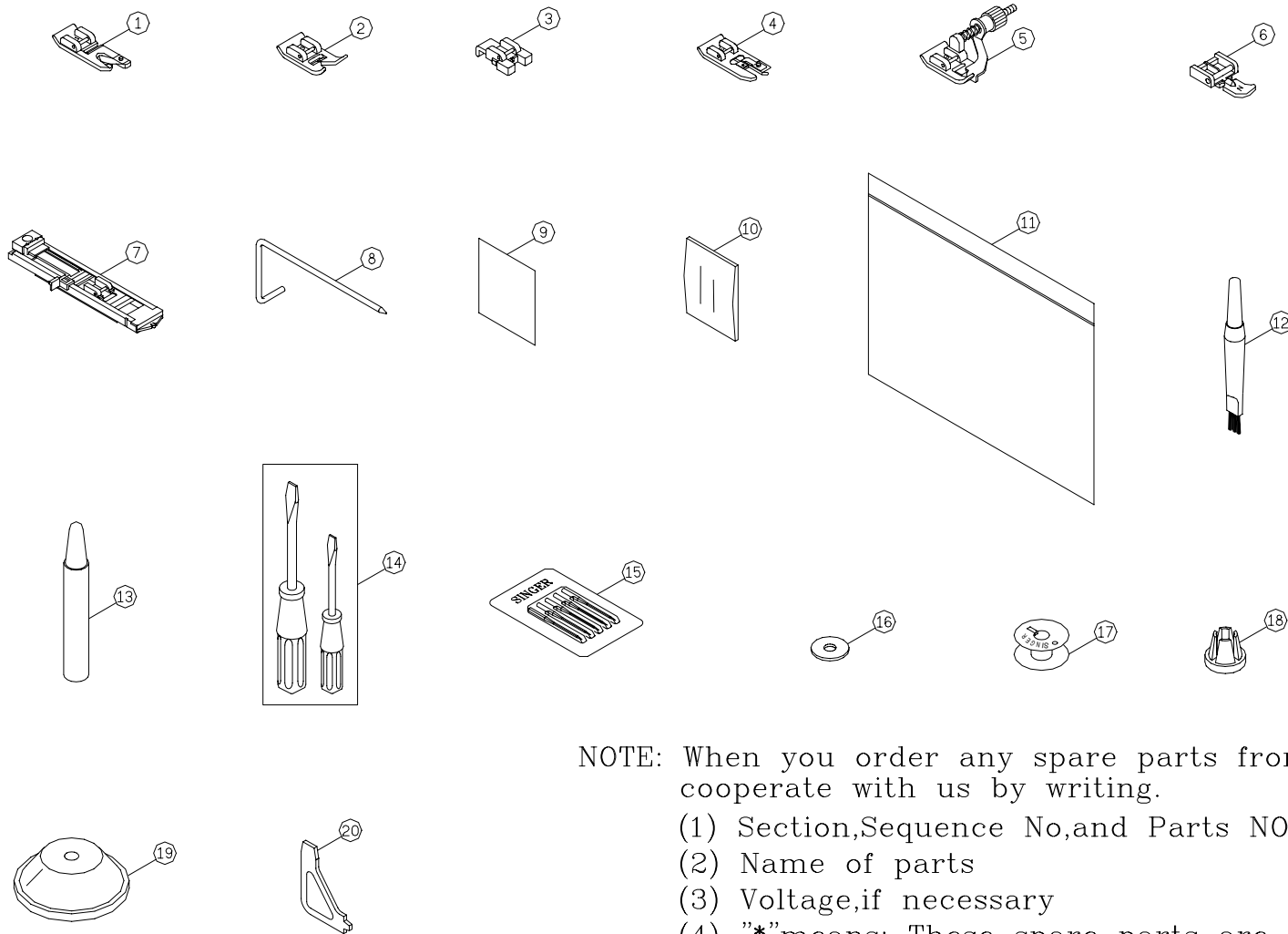


No.	Part No.	Description
1	NB0693000	Bobbin shaft oil cloth
2	E1A2033000	Bobbin shaft
3	NB0673000	Bobbin shaft washer (2)
4	003010046*	E-Ring (ETW-4)
5	NB1275000	Shuttle hook complete
6	NB0643000	Magnet
7	NB1265000	Shuttle hook holder
8	NB0683000	Bobbin shaft washer (3)
9	E1A0563000	Needle plate cover
10	004230066*	Set screw (M3x12)
11	E1A0463000	Feed crank shaft
12	E1A0523000	Rotary hook holder
13	E1A0553000	Rotary hook holder positioned plate
14	004240056*	Set screw (M4x6 B)
15	E1A0543000	Rotary hook supporter
16	004240033*	Set screw (M4x5)
17	004240106*	Set screw (M4x8 A)
18	K82133003	Base plate adjustment screw
19	H70043000	Free arm vase cushion rubber
20	004840106	Adjusting nut (ALN-4)
21	E1A2343003	Feed regulating spring
22	E1A0373000	Feed rock shaft
23	E1A0403003	Feed rock frame shaft (2)
24	004240503*	Set screw (M4x4)
25	E1A0423003	Feed rock frame shaft (1)
26	E1A0383003	Feed rock bushing pin (1)
27	003010043*	E-Ring (ETW-4)
28	004300643*	Washer (5.2x10x0.5)
29	E1A2023003	Feed shaft spring
30	E1A2083210	Feed rock crank
31	F30323003	Feed rock crank pin
32	004240223*	Set screw (M4x6)
33	003010036*	E-Ring (ETW-3)
34	F30284000	Feed rock shaft collar complete
35	E1A0413000	Feed rock frame
36	E3A0033001	Feed dog

No.	Part No.	Description
37	004104012*	Set screw (1/18x44x5)
38	E1A0443003	Feed lifting rock crank pin (1)
39	E1A0433003	Feed lifting rock crank
40	E1A0453003	Feed lifting rock crank pin (2)
41	004240633	Feed back crank screw (M4x0.7 L=12)
42	E1A0345000	Belt adjusting plate complete
43	E1A0353000	Belt adjusting plate
44	H12323000	Belt adjusting plate pulley
45	004240585*	Set screw (M4x8)
46	F30333000	Feed regulating block
47	E1A0474000	Feed regulating plate complete
48	F30353000	Feed regulating
49	004400570*	Endure attrition washer
50	R11443000	Feed rock bushing
51	004300123*	Washer (6.7x12x1)
52	003011052*	E-Ring (ETW-5)
53	E1A0483003	Feed regulating shaft
54	E1A0503003	Feed regulating crank
55	E1A0493003	Feed crank
56	E1A2503000	Free arm vase cushion rubber
57	004240046*	Set screw (M4x10 B)
58	E1A0283000	Lower shaft bushing
59	NB0503000	Lower shaft gear
60	003010063*	E-Ring (ETW-6)
61	E1A0305000	Feed lifting rock cam complete
62	E1A0290000	Feed lifting rock cam
63	E1A0333003	Lower shaft spring
64	004300936*	Washer (8.2x12x0.5)
65	E1A0325000	Feed rock cam complete
66	E1A0273000	Lower shaft
67	V11553003	Lower shaft collar
68	004400830	Endure attrition washer
69	E1A0313000	Lower shaft belt pulley
70	004230673*	Set screw (M3x14.5)
71	E1A2573003	Base plate adjustment screw spring
72	E1A0573210	Feed lifting shaft

No.	Part No.	Description
73	E1A1873003	Spring
74	H12883000	Steel ball
75	NB0495000	Lower shaft gear plate
76	V11564000	Lower shaft collar complete
77	E1A0303000	Feed lifting rock cam complete
78	E1A0323000	Feed rock cam
79	F30283003	Feed rock shaft collar
80	004230433	Set screw (M3x3)

# G



NOTE: When you order any spare parts from us, please cooperate with us by writing.

- (1) Section, Sequence No, and Parts NO.
- (2) Name of parts
- (3) Voltage, if necessary
- (4) "\*" means: These spare parts are not supplied individually, but can be obtained by minimum quantity at 300 pcs.

91-10-04製

No.	Part No.	Description
1	006900008	Hemmer foot (K)
2	006918008	Zig zag foot (C)
3	006914008	Button sew on foot
4	006907008	Overcastting foot (E)
5	006904008	Blind hem foot (F)
6	006905008	Zipper foot (I)
7	006171008	Buttonhole foot (D)
8	006008001	Quilting bar
9	006051009	Anti-rusty
10	006052009	Drier
11	006011009	Accessories bag
12	006099008	Brush & Seam ripper complete
13	006013009	Oilier
14	006012008	Large & small screw drive
15	006175008	Needle (14#.16#.11#)
16	006015009	Felt cushion
17	006066008	Bobbin
18	TA1094320 9	Spool set plate (small)
19	R12373210	Spool set plate (big)
20	006093009	L-screwdriver