

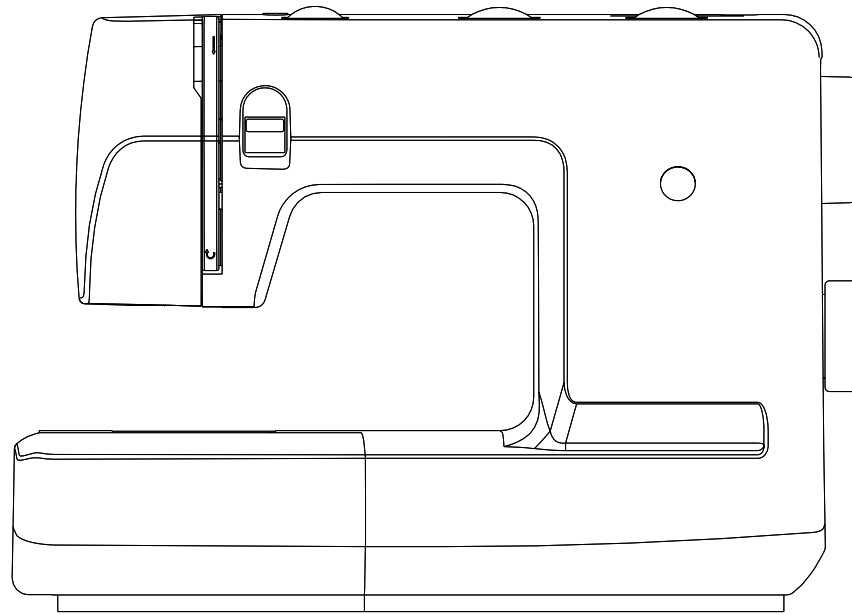
Parts List

SINGER[®]

Model 7350-1

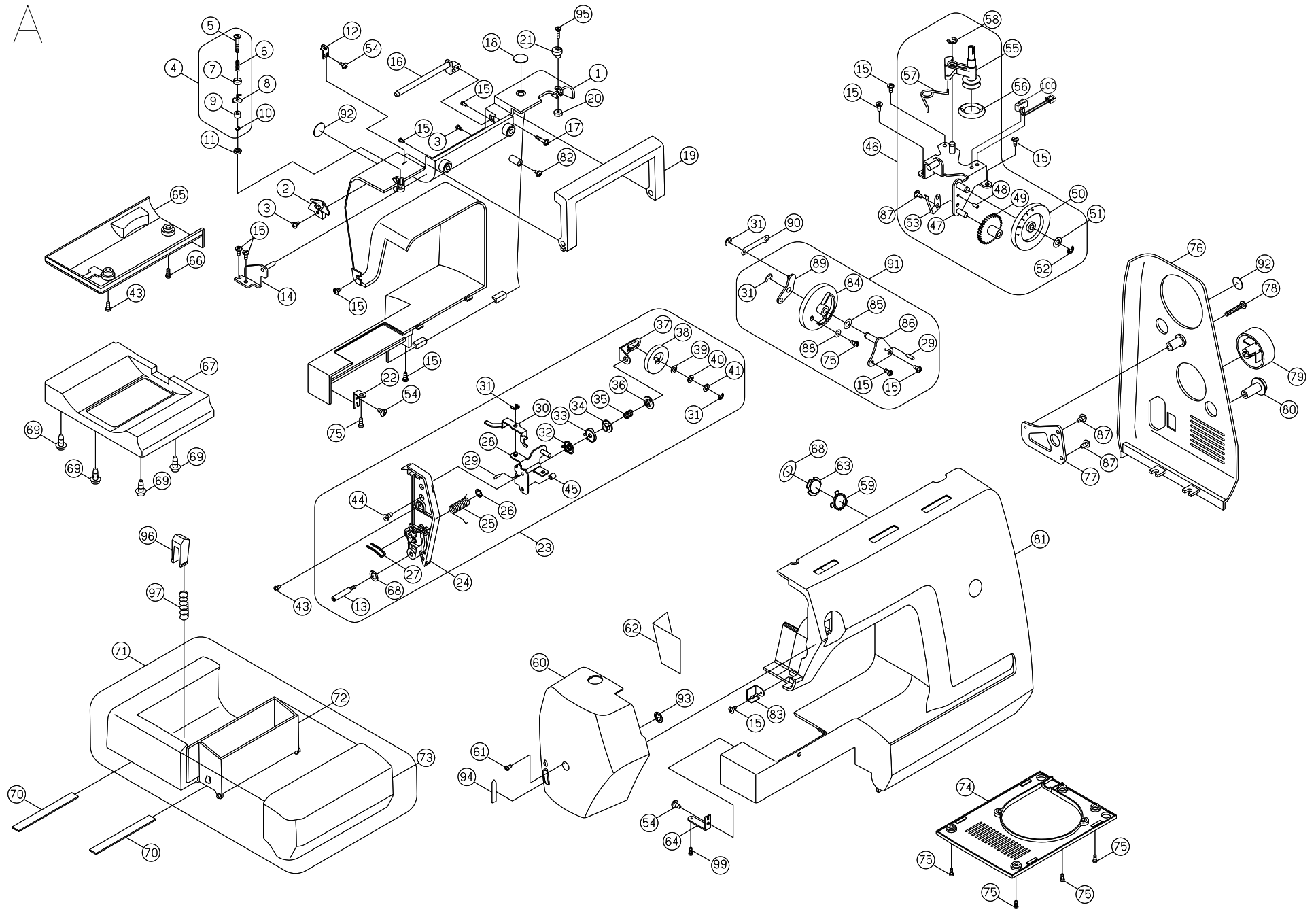
029190053

Parts List



Model 7350-1

A

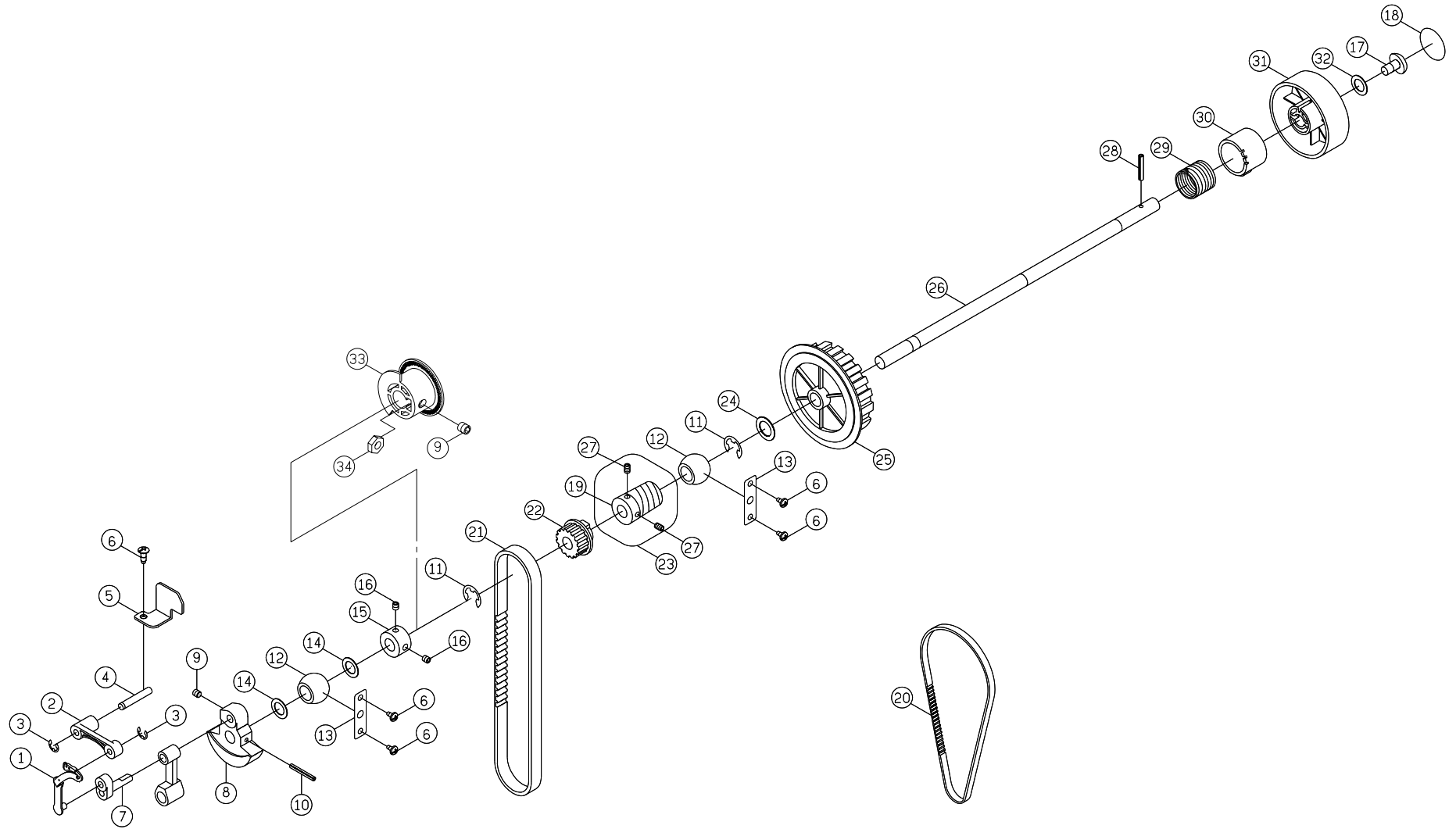


| No. | Part No. | Description |
|-----|-------------|--------------------------------------|
| 1 | EJD6033210 | Back cover |
| 2 | V610155000 | Thread guide complete |
| 3 | 004230326* | Set screw (M3x12) |
| 4 | E1A2065000 | Bobbin winder thread guide complete |
| 5 | E1A2053001* | Bobbin winder thread guide adjusting |
| 6 | H13153001 | Bobbin winder thread guide spring |
| 7 | H13133001 | Bobbin winder spring disc |
| 8 | V610223001 | Bobbin winder thread guide |
| 9 | E1A2353006 | Spacer |
| 10 | 003010036 | E-Ring (E-3) |
| 11 | 004840106 | Nut (ALN-4) |
| 12 | E1A2043001 | Thread guide |
| 13 | 004240982 | Set screw (M3) |
| 14 | V61253006 | Arm top cover plate |
| 15 | 004240106 | Set screw (M4x8A) |
| 16 | E1A1663210 | Spool rod |
| 17 | 004230655 | Set screw (M3x1.06B) |
| 18 | V410123210 | Plate |
| 19 | E1A1763210 | Handle |
| 20 | 004706013 | Nut (9/64x40 t=3) |
| 21 | E1A2393000 | Bobbin winder stopper |
| 22 | E1A1673002 | Arm back cover set plate |
| 23 | END0044210 | Dial tension complete |
| 24 | EJD0033210 | Dial tension supporter plate cover |
| 25 | E1A2073000 | Thread guide sprig |
| 26 | 003020453* | CS ring |
| 27 | V61873000 | Thread guide |
| 28 | E1A2183006 | Dial tension supporter plate |
| 29 | 003043010 | Spring pin (Ø3x10x0.6) |
| 30 | E1A2113003 | Dial tension waft plate |
| 31 | 003010043* | E-Ring (E-4) |
| 32 | J30423001 | Dial tension disc (1) |
| 33 | E1A2333001 | Dial tension disc |
| 34 | R10593000 | Dial tension spring regulator |
| 35 | NB1083000 | Dial tension spring |
| 36 | K50193000 | Dial tension regulator |

| No. | Part No. | Description |
|-----|------------|--------------------------------|
| 37 | V60273006 | Dial tension spring plate |
| 38 | EAC7783210 | Dial tension knob |
| 39 | 004300713* | Washer (5.2x10x0.2) |
| 40 | 004500360* | Washer (WW-5) |
| 41 | 004300643* | Washer (5.2x10x0.5) |
| 42 | 004240286* | Set screw (M4x13B) |
| 43 | 004240146* | Set screw (M4x15B) |
| 44 | 004240176* | Set screw (M4x6D) |
| 45 | H11103001 | Dial tension guide spring tube |
| 46 | EAC9274210 | Bobbin winder frame complete |
| 47 | E1A1785000 | Bobbin winder frame |
| 48 | 003043006* | Spring pin (Ø 3x8x0.6) |
| 49 | V61183000 | Feed regulator gear |
| 50 | EAC9273210 | Feed regulator dial |
| 51 | 004300186* | Washer (6.2x12x0.5) |
| 52 | 003010046* | E-Ring (E-4) |
| 53 | EAA0203003 | Feed regulator set plate |
| 54 | 004230215 | Set screw (M3x8.5) |
| 55 | V61165000 | Bobbin winder crank complete |
| 56 | F20213000 | Bobbin winder rubber pulley |
| 57 | V61563003 | Bobbin winder crank spring |
| 58 | 003011052* | E-Ring (E-5) |
| 59 | E5D0073000 | Pattern display frame |
| 60 | EJD7193210 | Face plate |
| 61 | 004240782* | Set screw (M4x10B) |
| 62 | E1A2523000 | Heat resistant plate |
| 63 | E5D0063000 | Pattern display window |
| 64 | E1A1623002 | Arm front cover set plate |
| 65 | E3A0203210 | Free arm base |
| 66 | 004240136 | Set screw (M4x12) |
| 67 | E1A1753210 | Free arm foot bush |
| 68 | 008465000 | Sticker |
| 69 | 004230746 | Set screw (M3x12) |
| 70 | E1A1843000 | Sewing table body felt |
| 71 | EJD0084210 | Sewing table complete |
| 72 | E1A1823210 | Sewing table body |

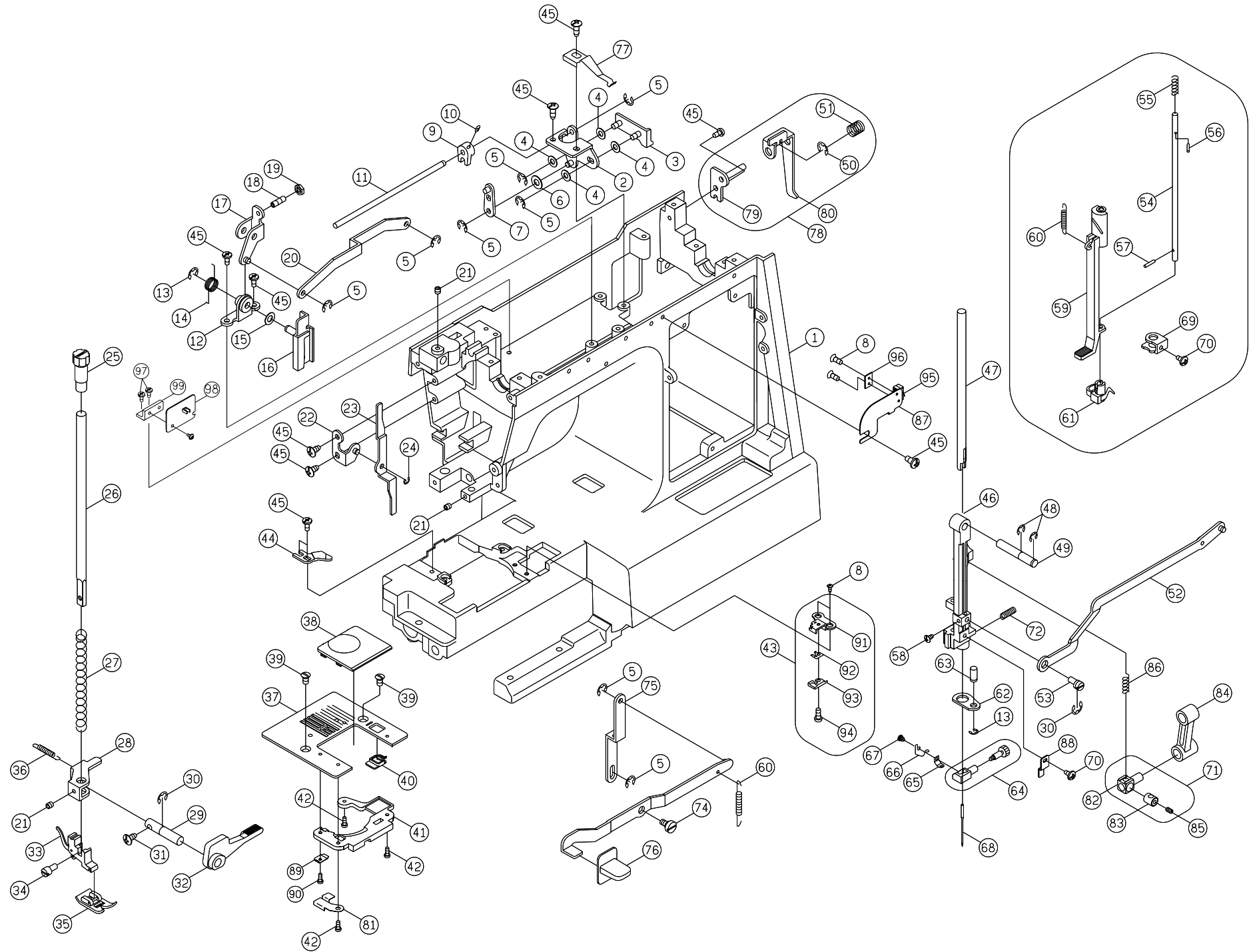
| No. | Part No. | Description |
|-----|------------|----------------------------------|
| 73 | EJD0083210 | Sewing table body cover |
| 74 | E1A1863210 | Cord reel cover |
| 75 | 004240046* | Set screw (M4x10B) |
| 76 | E1A4003210 | Motor drive belt cover |
| 76 | E1A4013210 | Motor drive belt cover |
| 77 | E1A1723003 | Motor drive belt cover frame |
| 78 | 004241106* | Set screw (M4x0.7A) |
| 79 | E4A0233210 | Selector dial |
| 80 | E1A1703210 | Adjusting dial |
| 81 | E5D0083210 | Front cover |
| 82 | 004240306* | Set screw (M4x10B) |
| 83 | E1A1883001 | Arm top cover thread guide plate |
| 84 | F4A8763210 | Zig zag width dial |
| 85 | 004900063 | Washer |
| 86 | E3A0113006 | Zig zag width dial plate |
| 87 | 004240056* | Set screw (M4x6B) |
| 88 | 004300076* | Washer (4.2x9x0.5) |
| 89 | E3A0143006 | Zig zag width crank |
| 90 | E3A0153003 | Zig zag width crank rod |
| 91 | F4A8764210 | Zig zag width dial complete |
| 92 | V61503210 | Plate (1) |
| 93 | 003020053 | Washer (CS-5) |
| 94 | V630593000 | Thread cutter |
| 95 | 004106162* | Set screw (9/64x40x16) |
| 96 | H10133211 | Sewing table body guide |
| 97 | H10143005 | Sewing table body guide spring |
| 98 | E5D0073000 | Pattern display frame |
| 99 | 004230066 | Set screw(M3x12) |
| 100 | 008853009 | Switch ass'y |

B



| No. | Part No. | Description |
|-----|------------|---|
| 1 | E1A2685000 | Thread take up lever complete |
| 2 | E1A2653000 | Thread take up lever supporter |
| 3 | 003010036* | E-Ring (ETW-3) |
| 4 | V60223003 | Thread take up lever supporter shaft |
| 5 | E1A2313005 | Thread take up lever supporter shaft plate |
| 6 | 004240106* | Set screw (M4x8A) |
| 7 | E1A2663000 | Arm shaft balance pin complete |
| 8 | E1A2213000 | Arm shaft balance |
| 9 | 004240223 | Set screw (M4x6) |
| 10 | 003043524* | Arm shaft balance pin (Ø3.5x24) |
| 11 | 003010093 | E-Ring (ETW-9) |
| 12 | R10293000 | Arm shaft bushing |
| 13 | E1A2623003 | Arm shaft bushing holder plate |
| 14 | 004400080 | Endure attrition washer |
| 15 | R10313000 | Arm shaft collar |
| 16 | 004250203* | Set screw (M5x5) |
| 17 | 004250346* | Set screw (M5x10) |
| 18 | V16893210 | Hand wheel decorated plate |
| 19 | E1A0063000 | Arm shaft worm |
| 20 | 007163471 | Motor drive belt |
| 21 | E1A0083000 | Motor drive belt |
| 22 | F4A0033000 | Arm shaft sprocket |
| 23 | E1A0065000 | Arm shaft worm complete |
| 24 | 004300853* | Washer (10.2x15x0.5) |
| 25 | E4A0143210 | Arm shaft drive belt pulley |
| 26 | E1A0044000 | Arm shaft |
| 27 | 004107283* | Spring pin (11/64x40x5) |
| 28 | 003043018* | Spring pin (Ø3x18) |
| 29 | R10393000 | Arm shaft clutch annulus spring |
| 30 | R10403000 | Arm shaft collar |
| 31 | E1A0073210 | Hand wheel |
| 32 | 004300586* | Hand wheel washer (5.2x16x1.0) |
| 33 | E7R0333210 | Rotary sensor collar |
| 34 | 004840022 | Nut (M4) |
| | | |
| | | |

C

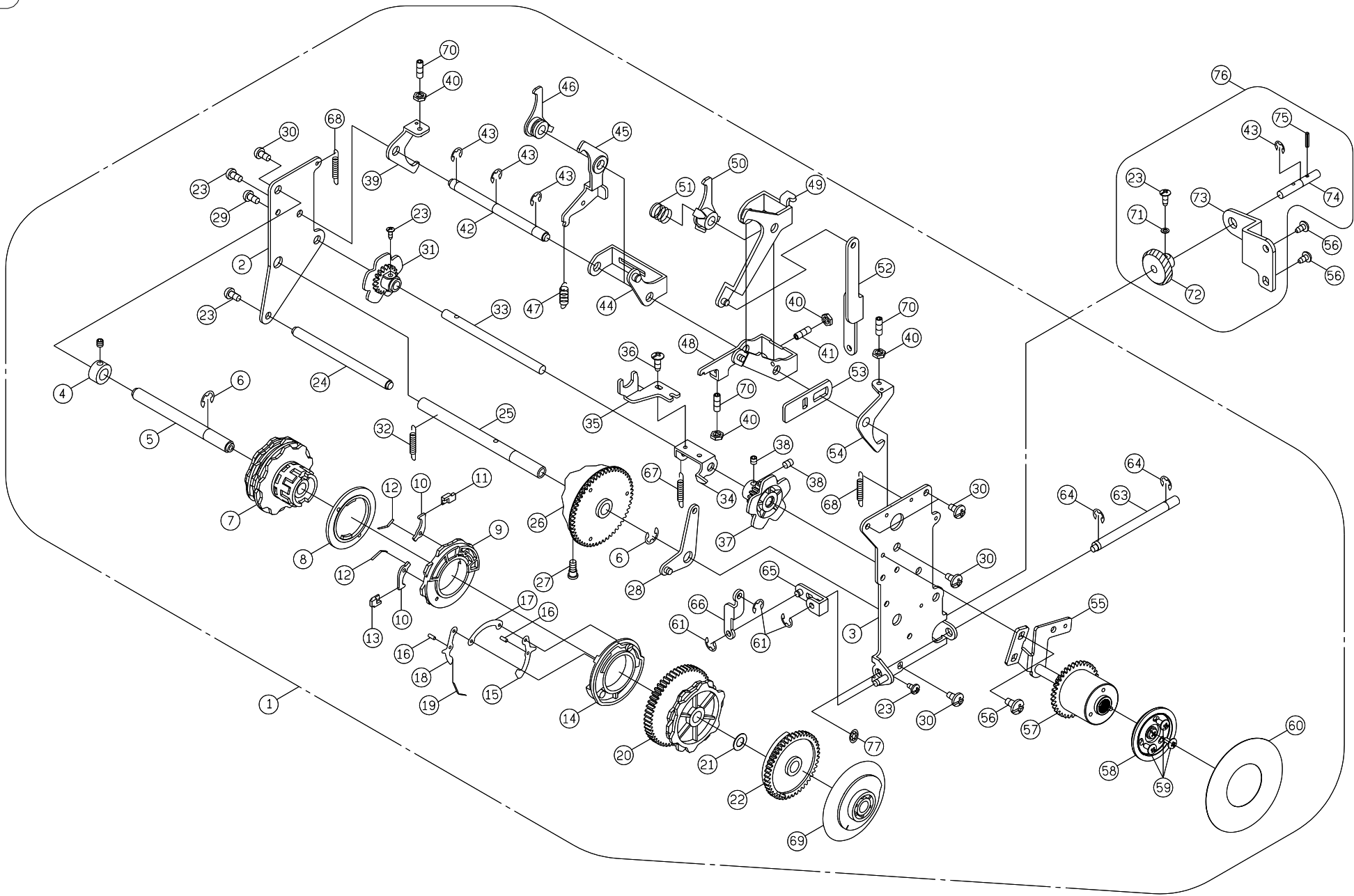


| No. | Part No. | Description |
|-----|------------|------------------------------------|
| 1 | E1A0013000 | Arm |
| 2 | E1A1373003 | BH selector plate |
| 3 | E1A1393003 | BH slide plate |
| 4 | 004300076* | Washer (4.2x9x0.5) |
| 5 | 003010036* | E-Ring (ETW-3) |
| 6 | 004300693* | Washer (4.2x12x1.2) |
| 7 | E1A1413003 | BH selector plate |
| 8 | 004240056* | Set screw (M2x0.4) |
| 9 | E1A1423000 | BH select crank |
| 10 | 004230036* | Set screw (M3x6B) |
| 11 | E1A1433003 | BH select crank shaft |
| 12 | E1A1283003 | Zig zag width regulating cam plate |
| 13 | 003010043* | E-Ring (ETW-4) |
| 14 | E1A1333003 | Zig zag width spring |
| 15 | 004300713* | Washer (5.2x10x0.2) |
| 16 | E1A1303002 | Zig zag width regulating cam |
| 17 | E1A1323003 | Zig zag regulator crank |
| 18 | 004240633* | Set screw (M4x12) |
| 19 | 004840106 | Set Nut (ALN-4) |
| 20 | E1A1343003 | Rod |
| 21 | 004240503* | Set screw (M4x4) |
| 22 | E1A0243003 | Movement plate supporter (1) |
| 23 | E1A0235000 | Movement plate supporter |
| 24 | 003010036* | E-Ring (ETW-3) |
| 25 | V620163210 | Presser bar regulating screw |
| 26 | E1A0143002 | Presser bar |
| 27 | E1A2493003 | Presser bar spring |
| 28 | E1A0163003 | Presser bar bracket complete |
| 29 | E1A2093003 | Presser bar lifter lever shaft |
| 30 | 003010053* | E-Ring (ETW-5) |
| 31 | 004240353 | Presser bar lifter lever shaft set |
| 32 | E1A0173000 | Presser bar lifter lever |
| 33 | 006910008 | Shank complete |
| 34 | 004106221 | Shank complete set screw |
| 35 | 006918008 | Zip zap presser foot complete |
| 36 | E1A2323003 | Presser bar bracket spring |

| No. | Part No. | Description |
|-----|------------|--------------------------------|
| 37 | E3A0253004 | Needle plate |
| 38 | NB1293000 | Needle plate cover |
| 39 | 004240851* | Set screw (M4x6) |
| 40 | NB0233000 | Needle plate cover open |
| 41 | E1A2593000 | Needle plate cover |
| 42 | 004103072* | Set screw (SM3/32x56 L=3) |
| 43 | E1A0584000 | Rotary hook plate complete |
| 44 | E1A0593002 | Rotary hook plate |
| 45 | 004240056* | Set screw (M4x6B) |
| 46 | E1A0103000 | Needle bar supporter |
| 47 | NB0533000 | Needle bar |
| 48 | 003080052* | E-Ring (BETW-5) |
| 49 | E1A1893000 | Needle bar supporter pin |
| 50 | 003010046* | E-Ring (ETW-4) |
| 51 | V61243003 | Clutch rod spring |
| 52 | E3A0013003 | Needle bar driving rod |
| 53 | E1A2433000 | Needle bar driving rod pin |
| 54 | E1A0113000 | Auto threaded shaft |
| 55 | R12793003 | Auto threaded shaft spring |
| 56 | 003042014* | Spring pin (Ø2x14) |
| 57 | 003042006 | Spring pin |
| 58 | 004106233* | Set screw (9/64x40x7) |
| 59 | E1A0123000 | Auto threaded lever |
| 60 | M70093000 | Auto threaded lever spring |
| 61 | E1A2125000 | Auto threaded |
| 62 | E1A0193003 | Needle bar supporter plate |
| 63 | E1A0203003 | Needle bar supporter plate pin |
| 64 | H10205000 | Needle clamp complete |
| 65 | R12573000 | Needle guide plate |
| 66 | H10223000 | Needle bar thread guide |
| 67 | 004103011 | Set screw |
| 68 | 006176008 | Needle |
| 69 | M70073002 | Auto threaded stopper |
| 70 | 004230016* | Set screw (M3x6A) |
| 71 | H10195000 | Needle bar crank rod complete |
| 72 | H50583003 | Needle bar supporter spring |

| No. | Part No. | Description |
|-----|------------|------------------------------------|
| 73 | E1A1543006 | Reverse lever |
| 74 | 004240883 | Reverse lever set screw |
| 75 | E1A1553003 | Reverse rod |
| 76 | EJD0143210 | Reverse button |
| 77 | E1A2103003 | BH cam plate |
| 78 | V61205003 | Clutch rod complete |
| 79 | V61233003 | Clutch rod plate |
| 80 | V61233003 | Clutch rod |
| 81 | E1A2603000 | Needle plate spring |
| 82 | H10253000 | Needle bar bracket (1) |
| 83 | H10263000 | Needle bar bracket (2) |
| 84 | F4A3343000 | Needle bar crank rod |
| 85 | 004240503 | Set screw (M4x4) |
| 86 | H10723003 | Tension lever lifter spring |
| 87 | EJD0193000 | Micro switch supporter (1) |
| 88 | E1A2613002 | Needle bar stopper plate |
| 89 | E1A2713000 | Needle plate cover plate |
| 90 | 004103081 | Set screw (SM3/32x56 L=5) |
| 91 | E1A0603002 | Rotary hook plate (2) |
| 92 | F30893000 | Rotary hook plate spring (2) |
| 93 | F30883000 | Rotary hook plate spring (1) |
| 94 | 004220056 | Set screw (M2x2.5) |
| 95 | 008594901 | Micro switch supporter S1 complete |
| 96 | 008632000 | Consent insulation plate |
| 97 | 004240106 | Set screw(M4x8 A) |
| 98 | 008852009 | Photo sensor complete |
| 99 | E7R0373003 | Photo sensor plate |

D

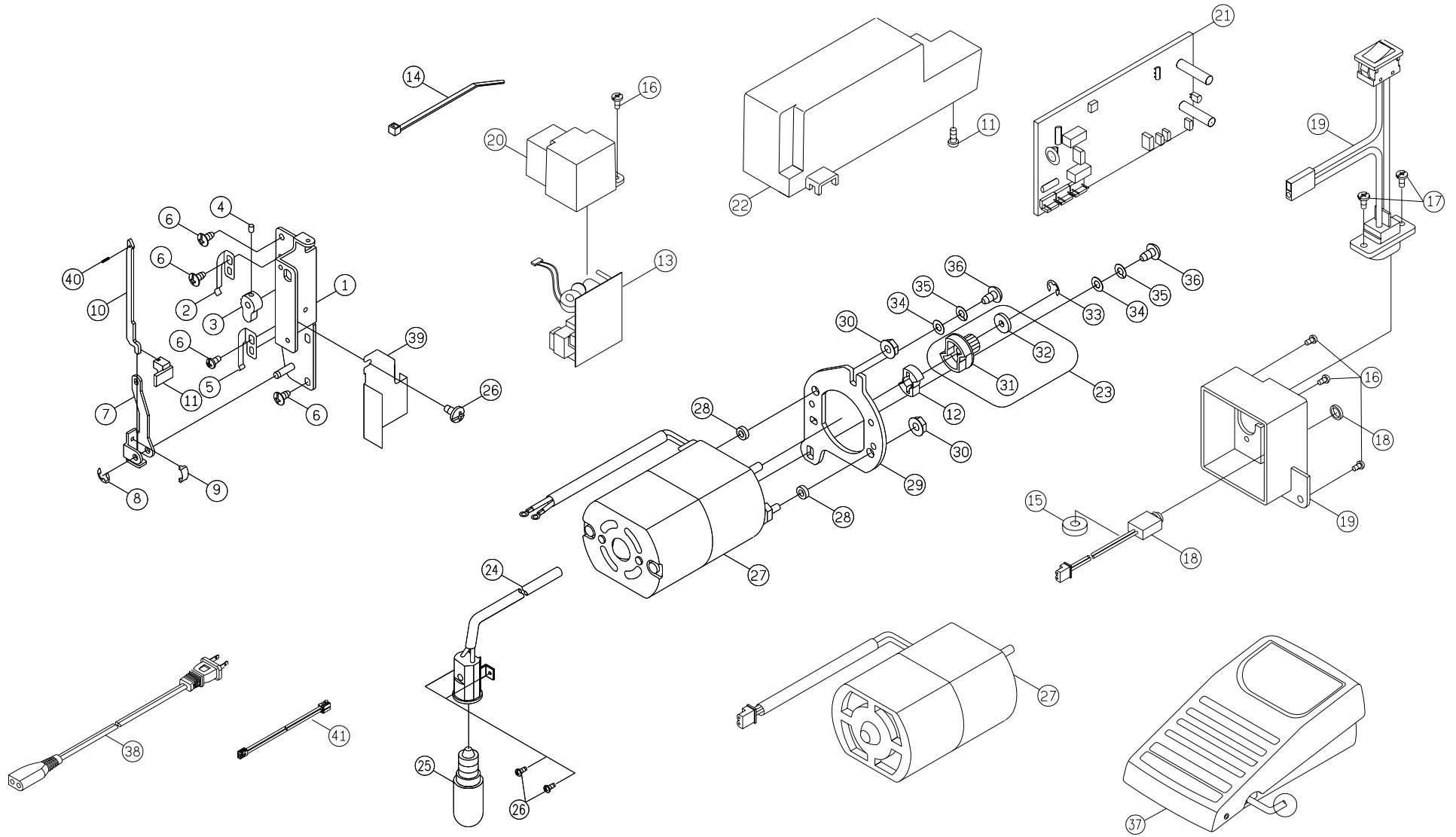


| No. | Part No. | Description |
|-----|------------|-------------------------------------|
| 1 | E5D0014000 | Pattern cam contact complete |
| 2 | E1A0673003 | Pattern cam contact plate (back) |
| 3 | E1A0653003 | Pattern cam contact plate (front) |
| 4 | H11935000 | Pattern cam shaft collar complete |
| 5 | E1A0683003 | Pattern cam shaft |
| 6 | 003010063* | E-Ring (ETW-6) |
| 7 | E5D0033000 | Pattern cam |
| 8 | E1A0833000 | Straight stitch cam |
| 9 | E1A0783000 | BH cam |
| 10 | E1A0793002 | BH contact |
| 11 | E1A0813000 | BH slide block B |
| 12 | E1A0823003 | BH contact spring plate |
| 13 | E1A0803000 | BH slide block A |
| 14 | E1A0723000 | BH feed regulator cam |
| 15 | E1A0743002 | BH clutch contact A |
| 16 | E1A0733000 | BH clutch shaft |
| 17 | E1A0763002 | BH clutch lever |
| 18 | E1A0753002 | BH clutch contact B |
| 19 | E1A0773003 | BH clutch spring plate |
| 20 | E5D0023000 | SS cam |
| 21 | 004300863* | Washer (8.2x14x0.5) |
| 22 | EAA0033000 | Feed regulator cam |
| 23 | 004230286* | Set screw (M3x8B) |
| 24 | E1A1003003 | Pattern cam contact supporter shaft |
| 25 | EAA0183003 | Pattern selector cam shaft |
| 26 | E5D0043000 | Pattern selector cam |
| 27 | 004240423 | Set screw (M4) |
| 28 | E1A1033003 | Pattern selector adjusting lever |
| 29 | 004240046* | Set screw (M4x10B) |
| 30 | 004240106* | Set screw (M4x8A) |
| 31 | E1A1053000 | Zig zag cam |
| 32 | E1A1223003 | Feed regulating crank spring |
| 33 | E1A1043000 | Pattern selector cam shaft |
| 34 | E1A1073006 | Zig zag movement contact |
| 35 | E1A1083003 | Movement plate |
| 36 | 004230016* | Set screw (M3x6A) |

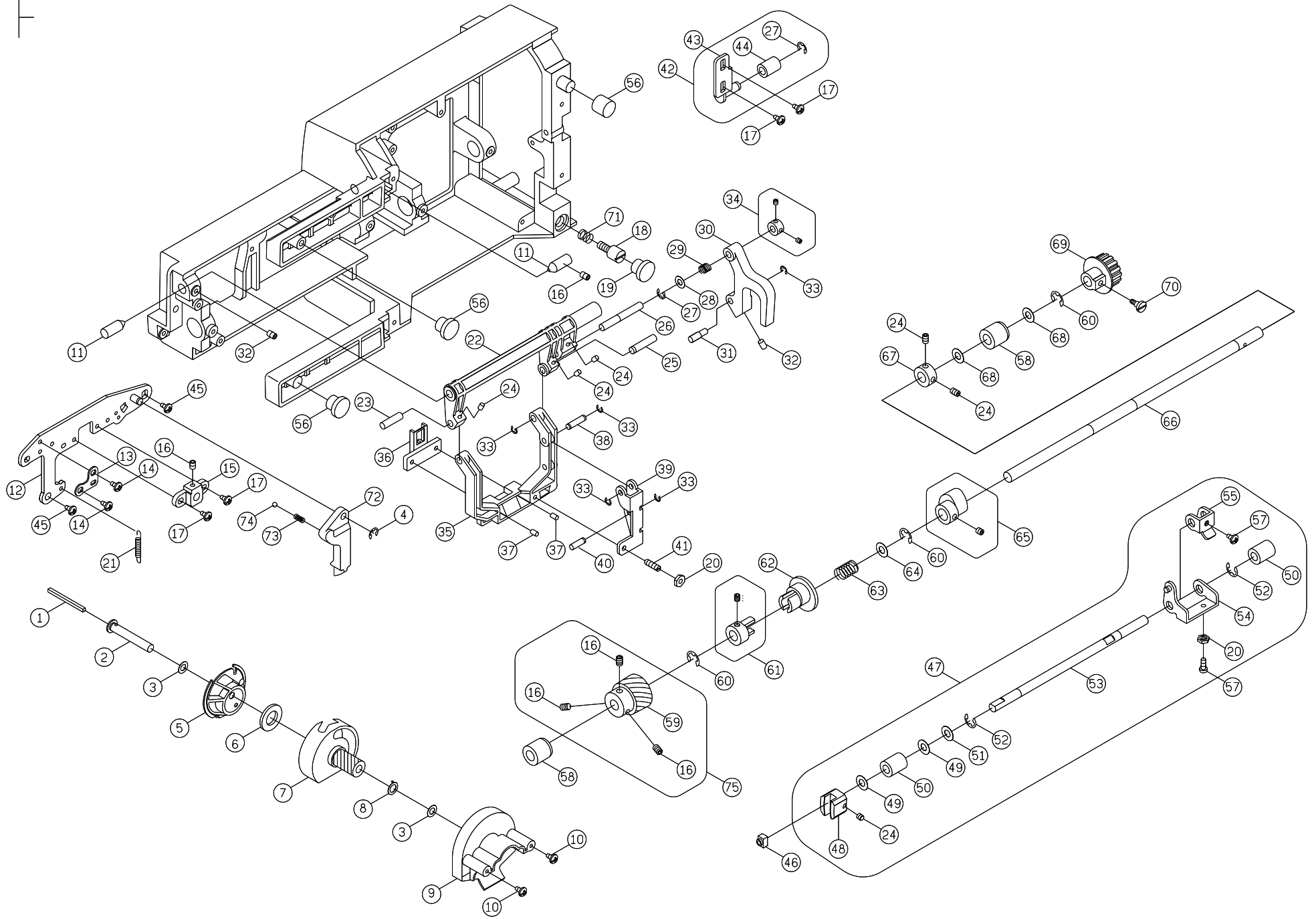
| No. | Part No. | Description |
|-----|------------|-------------------------------------|
| 37 | F4A3103000 | Stretch stitch release |
| 38 | 004240503* | Set screw (M4x4) |
| 39 | E1A0893003 | Zig zag release plate |
| 40 | 004840106* | Nut (ALN-4) |
| 41 | 004240633* | Set screw (M4x0.7) |
| 42 | E1A0843000 | Zig zag cam contact supporter shaft |
| 43 | 003010056* | E-Ring (ETW-5) |
| 44 | E1A0853003 | Zig zag cam contact supporter |
| 45 | E4A0033003 | BH Feed crank |
| 46 | EAA0063003 | Zig zag cam contact |
| 47 | E1A0973003 | BH Feed crank spring |
| 48 | EAA0093003 | BH adjusting crank |
| 49 | EAA0073003 | SS cam contact supporter |
| 50 | EAA0083003 | SS cam contact |
| 51 | E1A0903003 | Zig zag release plate |
| 52 | E1A0943003 | Feed rock shaft |
| 53 | E1A0983003 | BH adjusting plate |
| 54 | E1A0993003 | Stretch stitch release plate |
| 55 | E4D0064000 | Selector dial plate |
| 56 | 004240056* | Set screw (M4x6B) |
| 57 | E4D0033000 | Pattern gear |
| 58 | E4D0053000 | Pattern selector plate |
| 59 | 004230215 | Set screw (M3x8.5) |
| 60 | E5D5993210 | Selector plate |
| 61 | 003010036* | E-Ring (ETW-3) |
| 62 | 004300833* | Washer (6.6x14x0.25) |
| 63 | E1A1113000 | Adjusting shaft |
| 64 | 003010043* | E-Ring (ETW-4) |
| 65 | E1A1123003 | BH adjusting hook holder |
| 66 | E1A1133003 | BH adjusting rod |
| 67 | M70093000 | Auto threaded lever spring |
| 68 | H70553003 | Spring |
| 69 | EAA0023000 | Stretch stitch selector cam |
| 70 | 004241093* | Set screw (M4x0.7) |
| 71 | 004300676* | Washer (3.2x8x0.8) |
| 72 | F4A3113000 | Selector gear |

| No. | Part No. | Description |
|-----|------------|------------------------------|
| 73 | F4A3303003 | Selector dial plate |
| 74 | E1A1243006 | Selector dial shaft |
| 75 | 003042516* | Spring pin (Ø2.5x16) |
| 76 | F4A3124000 | Selector dial plate complete |
| 77 | 003020043 | CS-ring (CSTW-4) |

E



F



| No. | Part No. | Description |
|-----|------------|-------------------------------------|
| 1 | NB0693000 | Bobbin shaft oil cloth |
| 2 | E1A2033000 | Bobbin shaft |
| 3 | NB0673000 | Bobbin shaft washer (2) |
| 4 | 003010046* | E-Ring (ETW-4) |
| 5 | E1A2824000 | Shuttle hook complete |
| 6 | NB0643000 | Magnet |
| 7 | NB1265000 | Shuttle hook holder |
| 8 | NB0683000 | Bobbin shaft washer (3) |
| 9 | E1A0563000 | Needle plate cover |
| 10 | 004230066* | Set screw (M3x12) |
| 11 | E1A0463000 | Feed crank shaft |
| 12 | E1A0523000 | Rotary hook holder |
| 13 | E1A0553000 | Rotary hook holder positioned plate |
| 14 | 004240056* | Set screw (M4x6B) |
| 15 | E1A0543000 | Rotary hook supporter |
| 16 | 004240033* | Set screw (M4x5) |
| 17 | 004240106* | Set screw (M4x8A) |
| 18 | K82133003 | Base plate adjustment screw |
| 19 | H70043000 | Free arm vase cushion rubber |
| 20 | 004840106 | Adjusting nut (ALN-4) |
| 21 | E1A2343003 | Feed regulating spring |
| 22 | E1A0373000 | Feed rock shaft |
| 23 | E1A0403003 | Feed rock frame shaft (2) |
| 24 | 004240503* | Set screw (M4x4) |
| 25 | E1A0423003 | Feed rock frame shaft (1) |
| 26 | E1A0383003 | Feed rock bushing pin (1) |
| 27 | 003010043* | E-Ring (ETW-4) |
| 28 | 004300643* | Washer (5.2x10x0.5) |
| 29 | E1A2023003 | Feed shaft spring |
| 30 | E1A2083210 | Feed rock crank |
| 31 | F30323003 | Feed rock crank pin |
| 32 | 004240223* | Set screw (M4x6) |
| 33 | 003010036* | E-Ring (ETW-3) |
| 34 | F30284000 | Feed rock shaft collar |
| 35 | E1A0413000 | Feed rock frame |
| 36 | E3A0033001 | Feed dog |

| No. | Part No. | Description |
|-----|------------|------------------------------------|
| 37 | 004104012* | Set screw (1/18x44x5) |
| 38 | E1A0443003 | Feed rock crank pin (1) |
| 39 | E4A0223002 | Feed rock crank |
| 40 | E1A0453003 | Feed lifting rock crank (2) |
| 41 | 004240633 | Feed back crank screw |
| 42 | E1A0345000 | Belt adjusting plate complete |
| 43 | E1A0353000 | Belt adjusting plate |
| 44 | H12323000 | Belt adjusting plate pulley |
| 45 | 004240585* | Set screw (M4x8) |
| 46 | F30333000 | Feed regulating block |
| 47 | E1A0474000 | Feed regulating plate complete |
| 48 | F30353000 | Feed regulating |
| 49 | 004400570* | Endure attrition washer |
| 50 | R11443000 | Feed rock bushing |
| 51 | 004300123* | Washer (6.7x12x1) |
| 52 | 003011052* | E-Ring (ETW-5) |
| 53 | E1A0483003 | Feed regulating shaft |
| 54 | E1A0503003 | Feed regulating crank |
| 55 | E1A0493003 | Feed crank |
| 56 | E1A2503000 | Free arm vase cushion rubber |
| 57 | 004240046* | Set screw (M4x10B) |
| 58 | E1A0283000 | Lower shaft bushing |
| 59 | NB0503000 | Lower shaft gear |
| 60 | 003010063* | E-Ring (ETW-6) |
| 61 | E1A0305000 | Feed lifting rock cam complete |
| 62 | E1A0290000 | Feed lifting rock cam |
| 63 | E1A0333003 | Lower shaft spring |
| 64 | 004300936* | Washer (8.2x12x0.5) |
| 65 | E1A0325000 | Feed rock cam complete |
| 66 | E1A0273000 | Lower shaft |
| 67 | V11553003 | Lower shaft collar |
| 68 | 004400830 | Endure attrition washer |
| 69 | E1A0313000 | Lower shaft belt pulley |
| 70 | 004230673* | Set screw (M3x14.5) |
| 71 | E1A2573006 | Base plate adjustment screw spring |
| 72 | E1A0573210 | Feed lifting shaft |

| No. | Part No. | Description |
|-----|------------|------------------------|
| 73 | E1A1873003 | Spring |
| 74 | H12883000 | Steel ball |
| 75 | NB0495000 | Lower shaft gear plate |

| No. | Part No. | Description |
|-----|------------|------------------------------|
| 1 | 006900008 | Hammer foot |
| 2 | 006918008 | Zig zag foot (No.H) |
| 3 | 006914008 | Button foot |
| 4 | 006907008 | Overcastting foot |
| 5 | 006904008 | Blind hem foot |
| 6 | 006905008 | Zipper foot |
| 7 | 006174008 | Buttonhole foot |
| 8 | 006008001 | Quilting bar |
| 9 | 006175008 | Needle |
| 10 | 006066008 | Bobbin |
| 11 | TA10943209 | Spool set plate (Small) |
| 12 | R12373210 | Spool set plate (Big) |
| 13 | 006099008 | Brush & Seam ripper complete |
| 14 | 006011009 | Accessories bag |
| 15 | 006093009 | L-screwdriver |
| 16 | 006172008 | Satin stitch foot |
| 17 | R60033210 | Second spool pin |
| 18 | 006813008 | Cording foot |
| 19 | 006016008 | Darning foot |
| 20 | 006916008 | Quilting foot |
| 21 | 006917008 | Gathering foot |
| 22 | 006185008 | Walking foot |
| 23 | 006171008 | Buttonhole foot |
| | | |
| | | |
| | | |
| | | |
| | | |
| | | |
| | | |
| | | |
| | | |
| | | |
| | | |
| | | |

NOTE: When you order any spare parts from us, please cooperate with us by writing.

(1)Section,Sequence No,and Parts NO.

(2) Name of parts

(3) Voltage,if necessary

(4) "*"means: These spare parts are not supplied individually,but can be obtained by minimum quantity at 300 pcs.