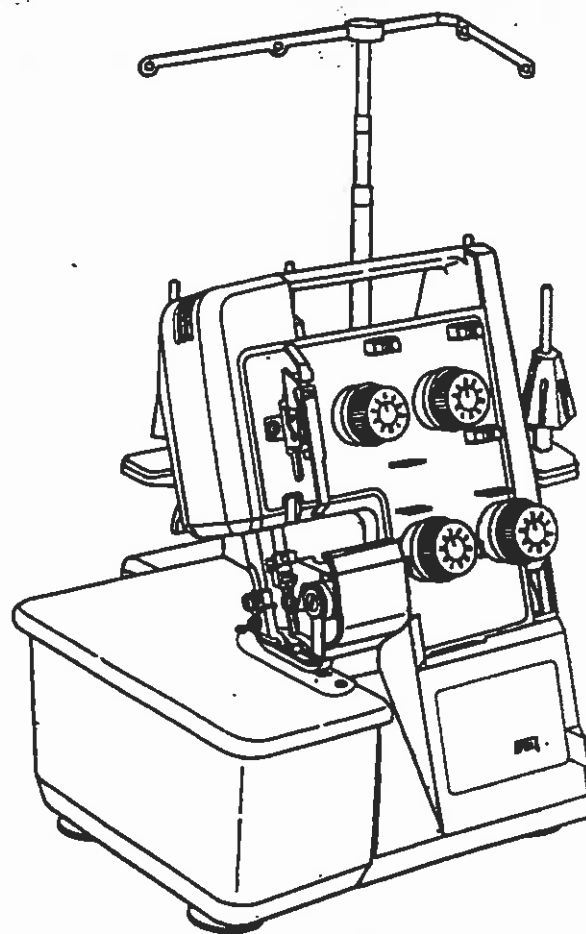


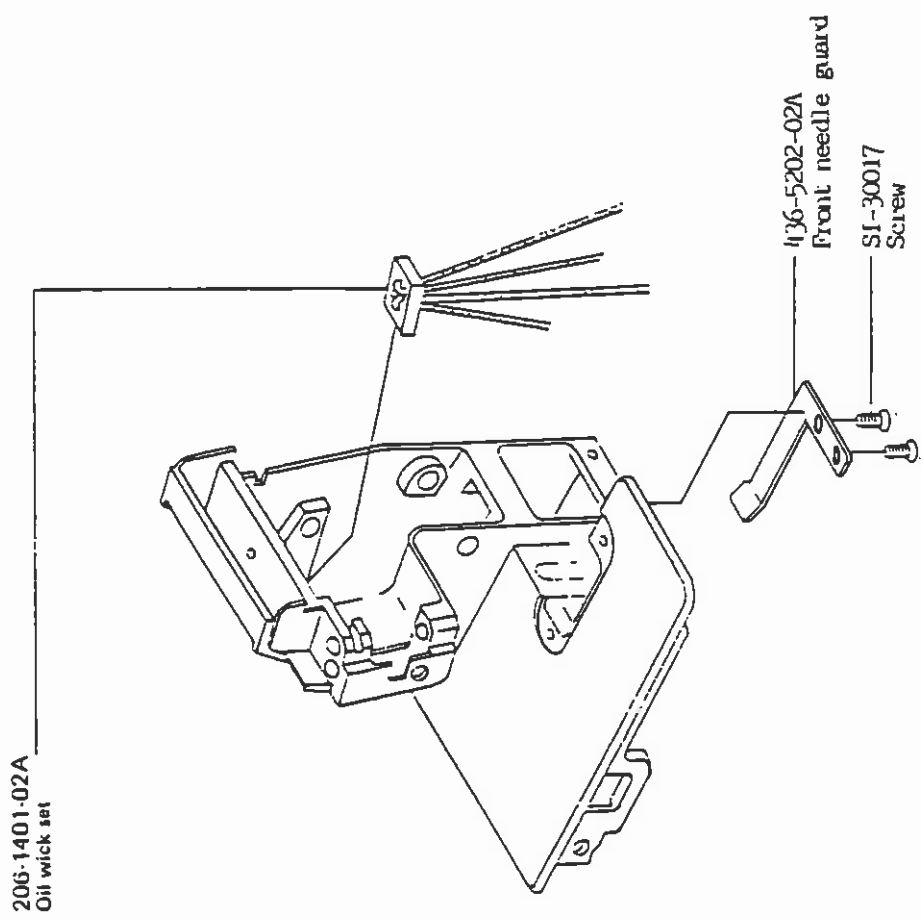
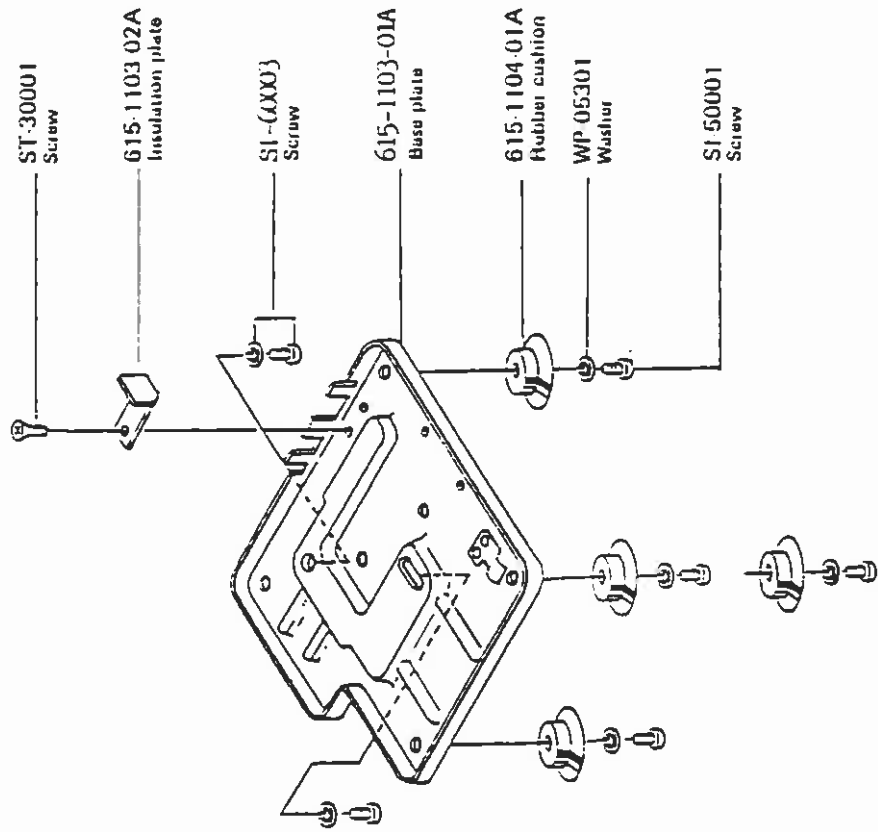
**MODELL**

**734 DF**

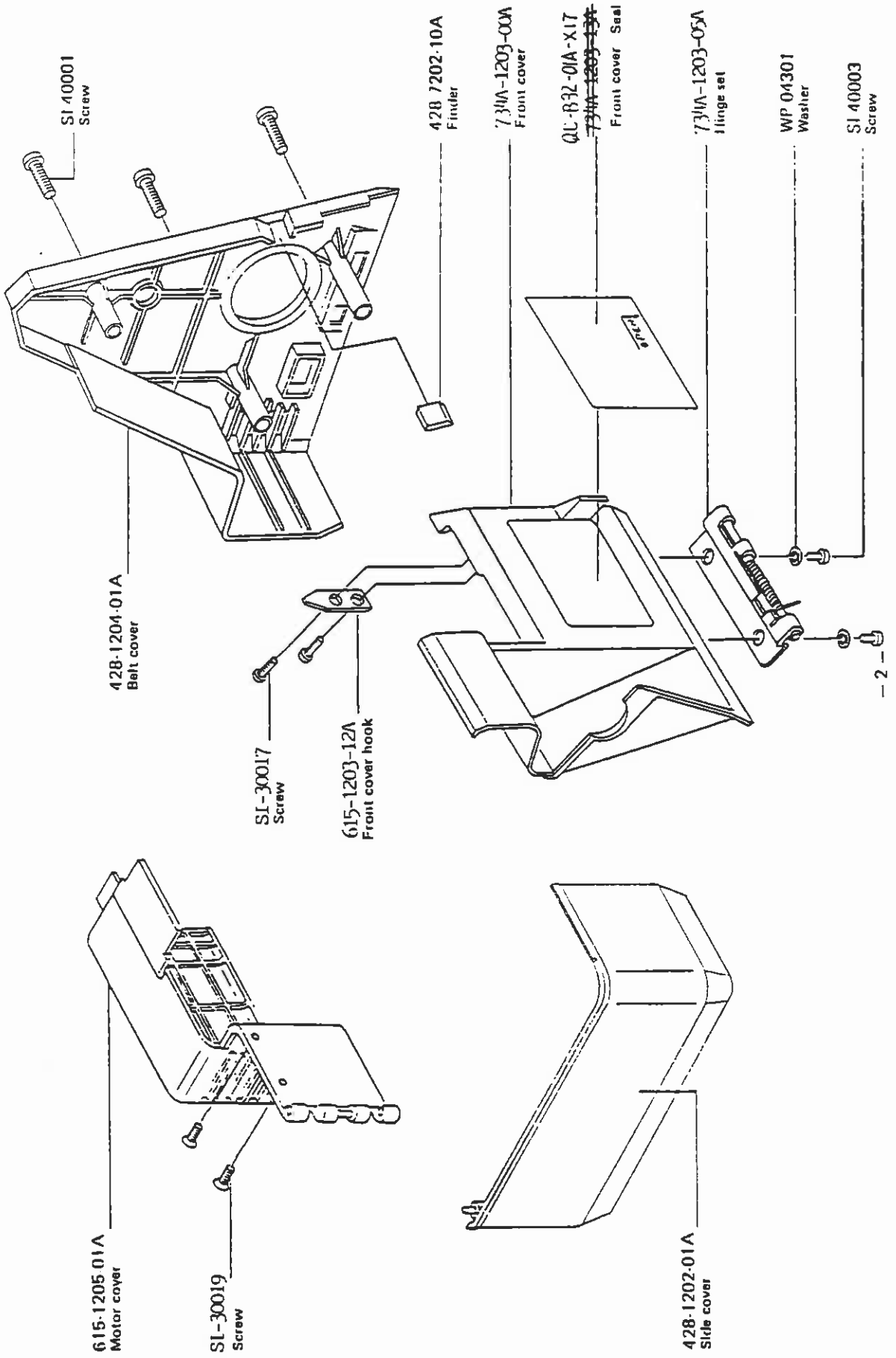
*Del-lista*



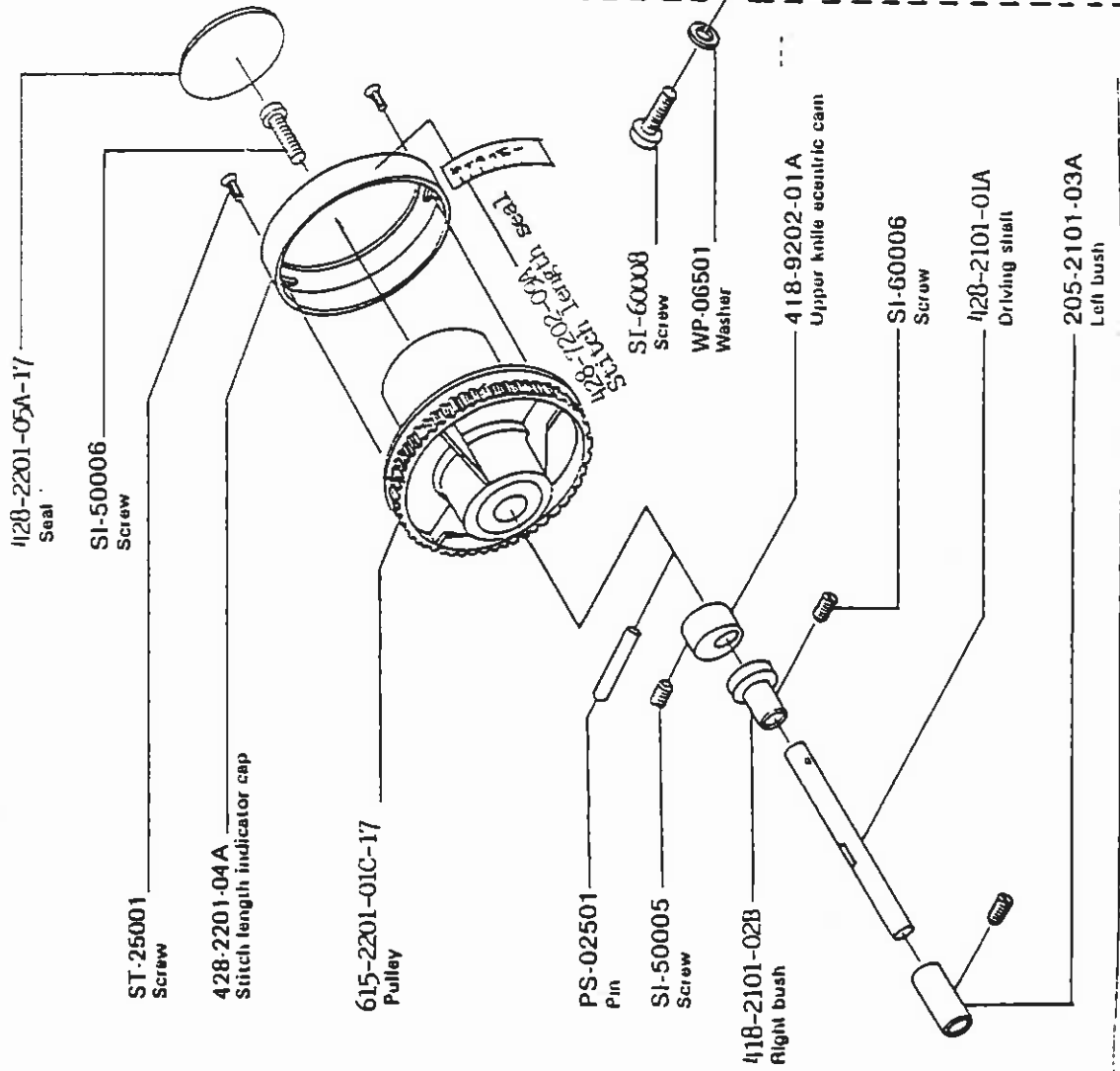
# 1. Base plate, and Oil wick



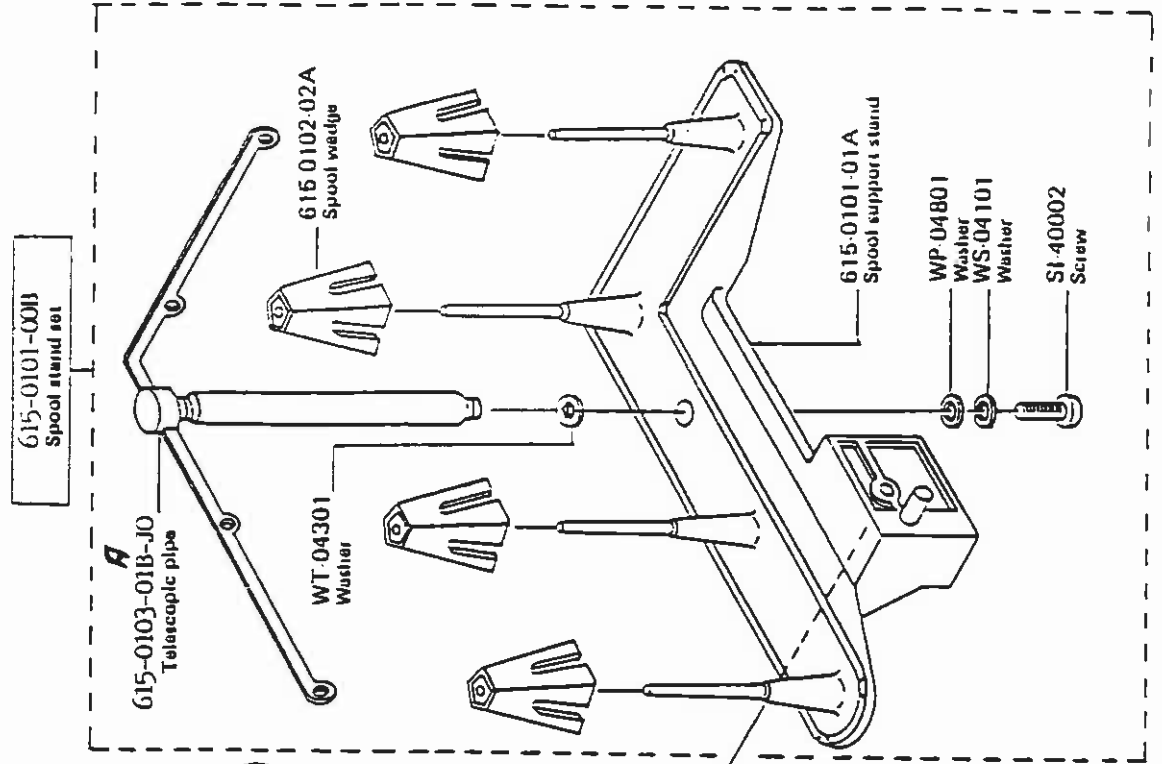
## 2. Covers



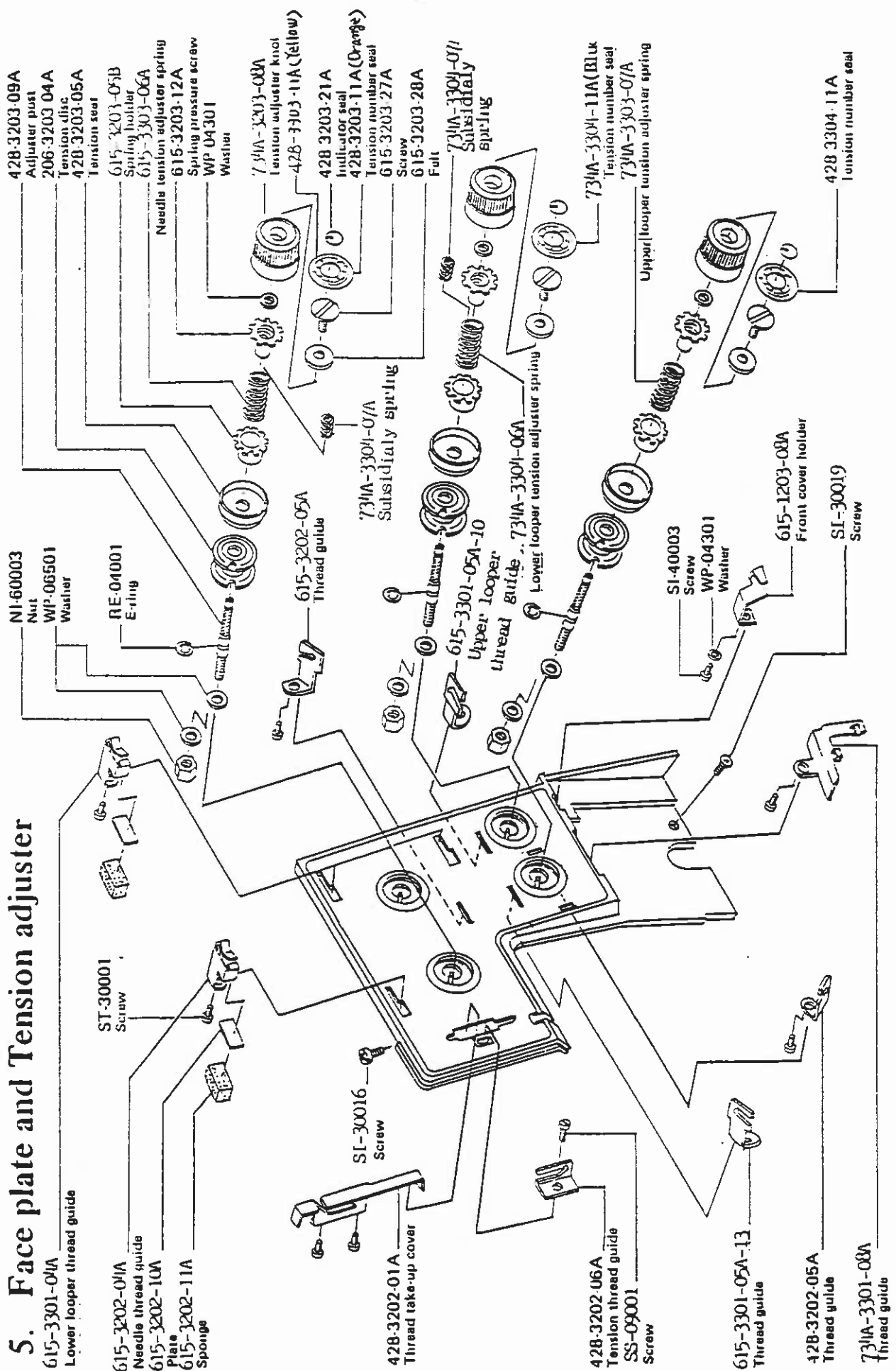
### 3. Machine pulley



### 4. Spool stand components

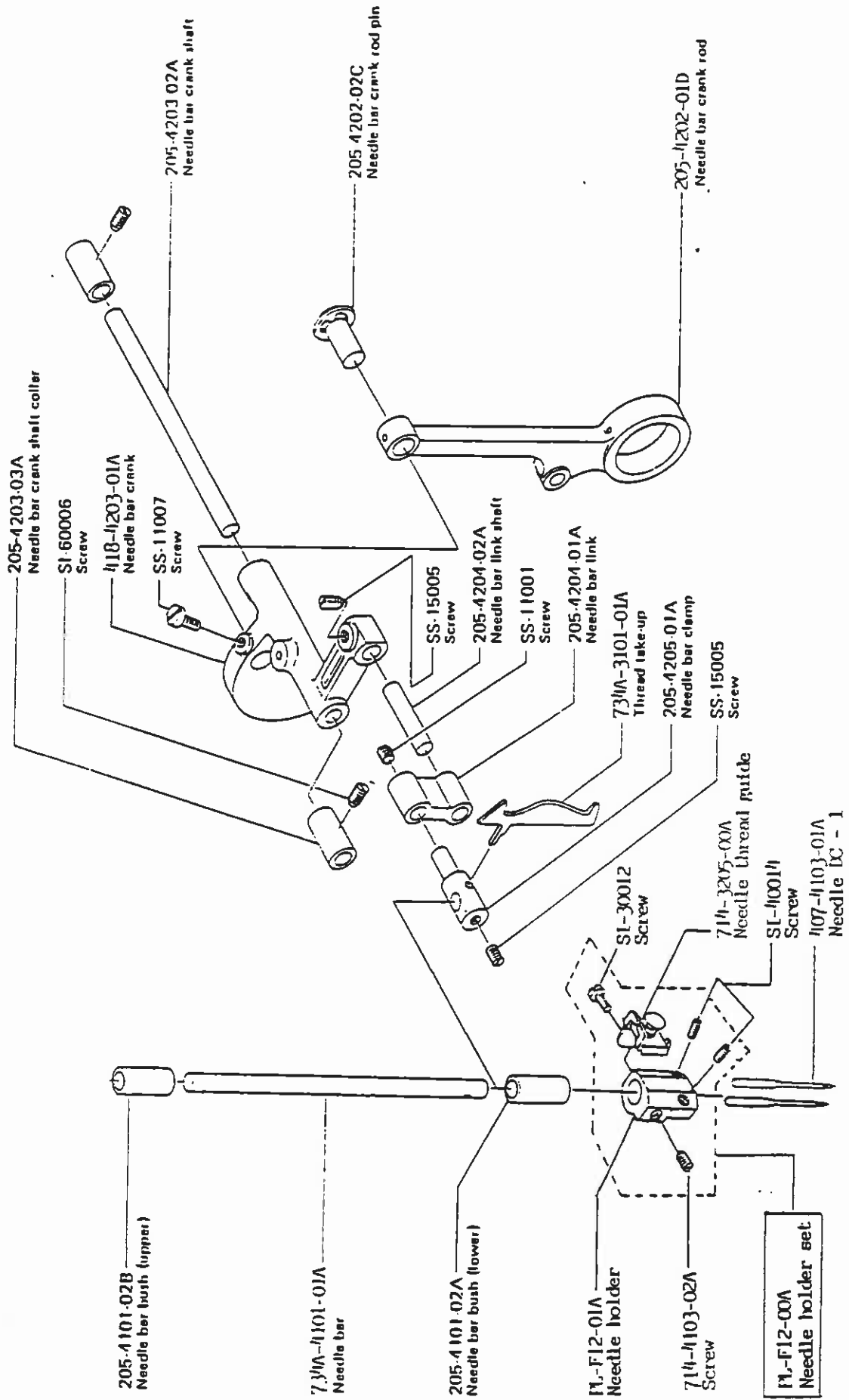


# 5. Face plate and Tension adjuster

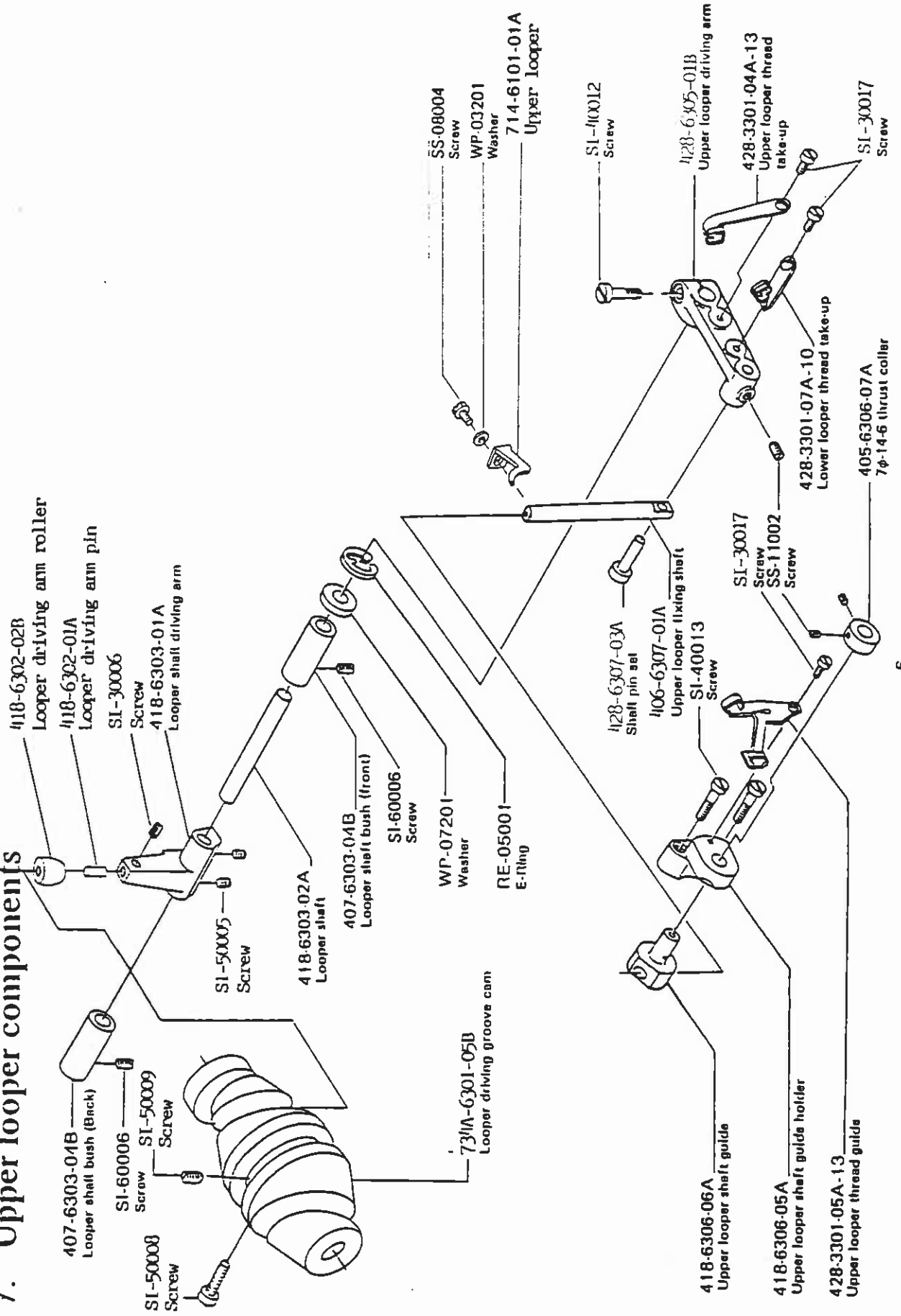


- 428-3203-09A Adjuster post
- 206-3203-04A Tension disc
- 428-3203-05A Tension seat
- 615-3203-05B Spring holder
- 615-3303-06A Needle tension adjuster spring
- 615-3203-12A Spring pressure screw
- WP-04301 Washer
- 734A-3303-08A Tension adjuster knob
- 428-3303-11A (Yellow) Indicator seal
- 428-3203-21A Tension number seal
- 428-3203-11A (Orange) Tension number seal
- 615-3203-27A Screw
- 615-3203-28A Bolt
- 734A-3304-07I Subsidiary spring
- 734A-3304-11A (Blue) Tension number seal
- 734A-3303-07A Upper loop tension adjuster spring
- 428-3304-11A Tension number seal
- NI-60003 Nut
- WP-06501 Washer
- RE-04001 E-ling
- 615-3202-05A Thread guide
- 734A-3304-07A Subsidiary spring
- 615-3301-05A-10 Upper loop thread guide
- 734A-3304-06A Lower loop tension adjuster spring
- SI-40003 Screw
- WP-04301 Washer
- 615-1203-08A Front cover holder
- SI-30019 Screw
- 615-3301-07A Lower loop thread guide
- 615-3202-01A Thread take-up cover
- SI-30016 Screw
- ST-30001 Screw
- 615-3202-07A Needle thread guide
- 615-3202-10M Plate
- 615-3202-11A Sponge
- 428-3202-06A Tension thread guide
- SS-09001 Screw
- 615-3301-05A-13 Thread guide
- 428-3202-05A Thread guide
- 734A-3301-08A Thread guide

## 6. Needle bar components



# 7. Upper looper components

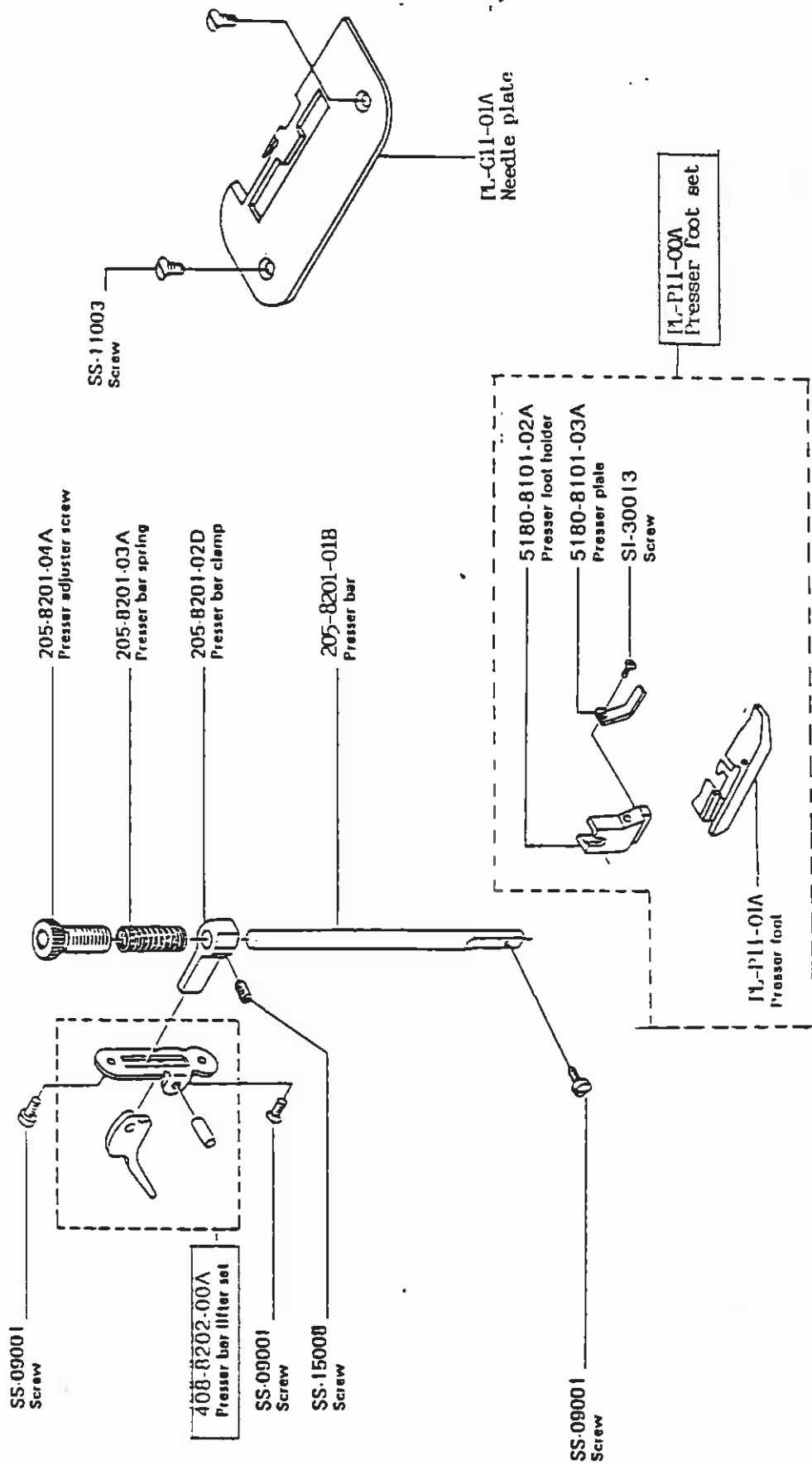




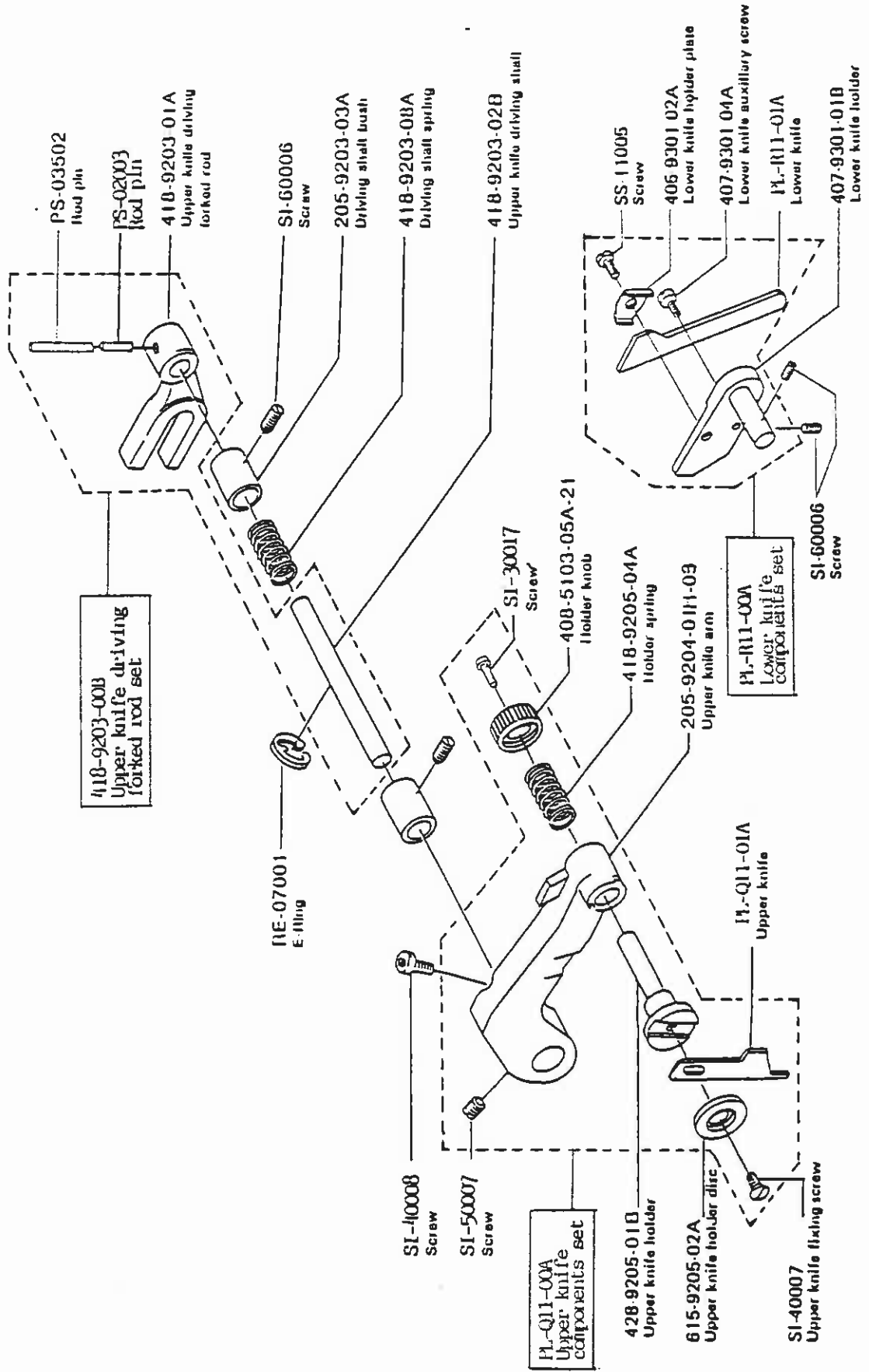




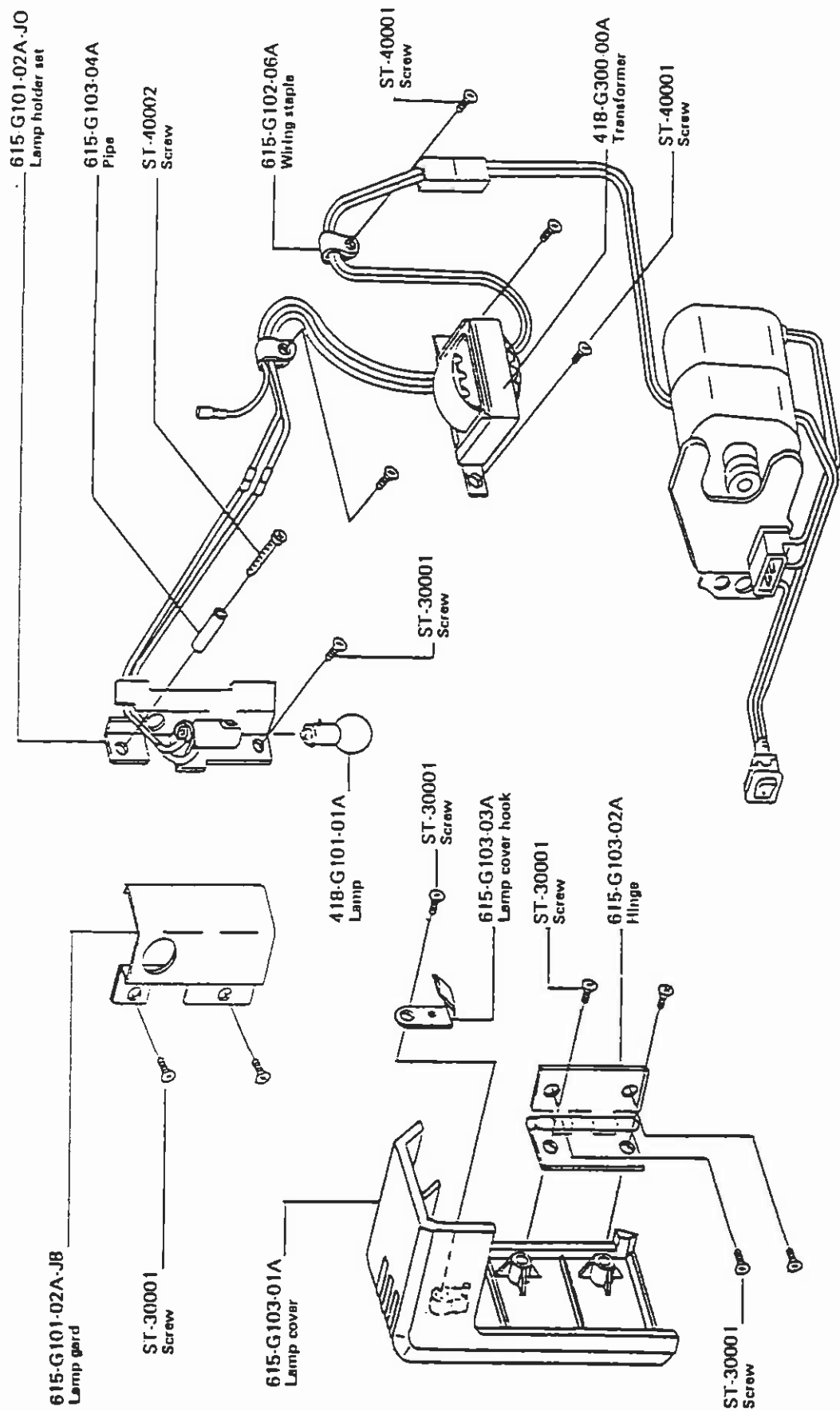
# 10. Presser foot components and Needle plate



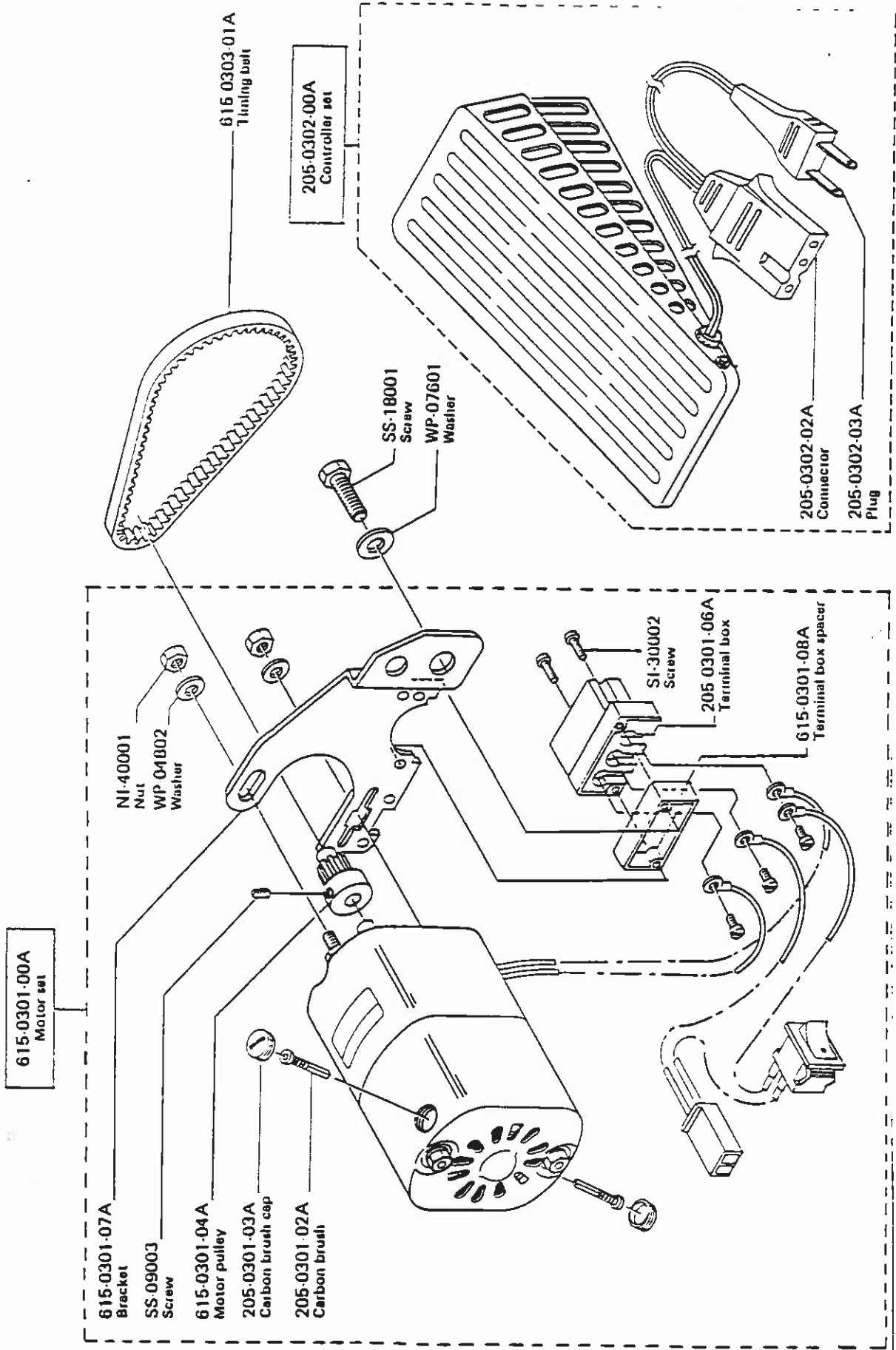
# 11. Knife components



# 12. Lamp components



# 13. Motor and Controller components



# 14. Standard accessories

714A-0201-00A  
 714-0201-00A  
 Accessory set

