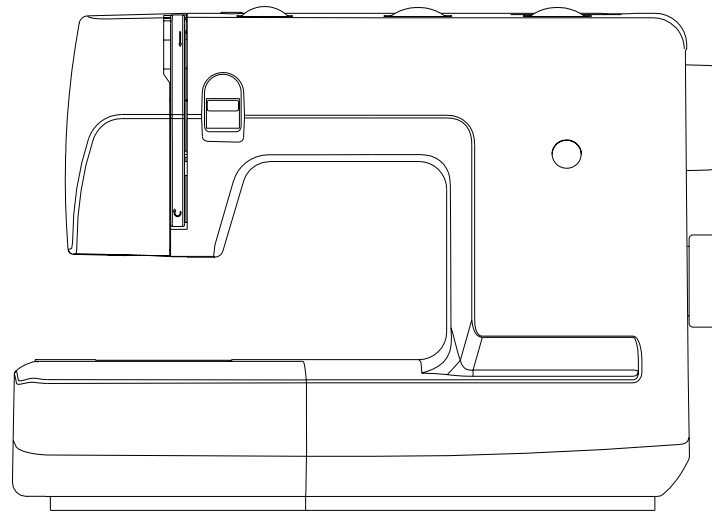


Parts List

SINGER®

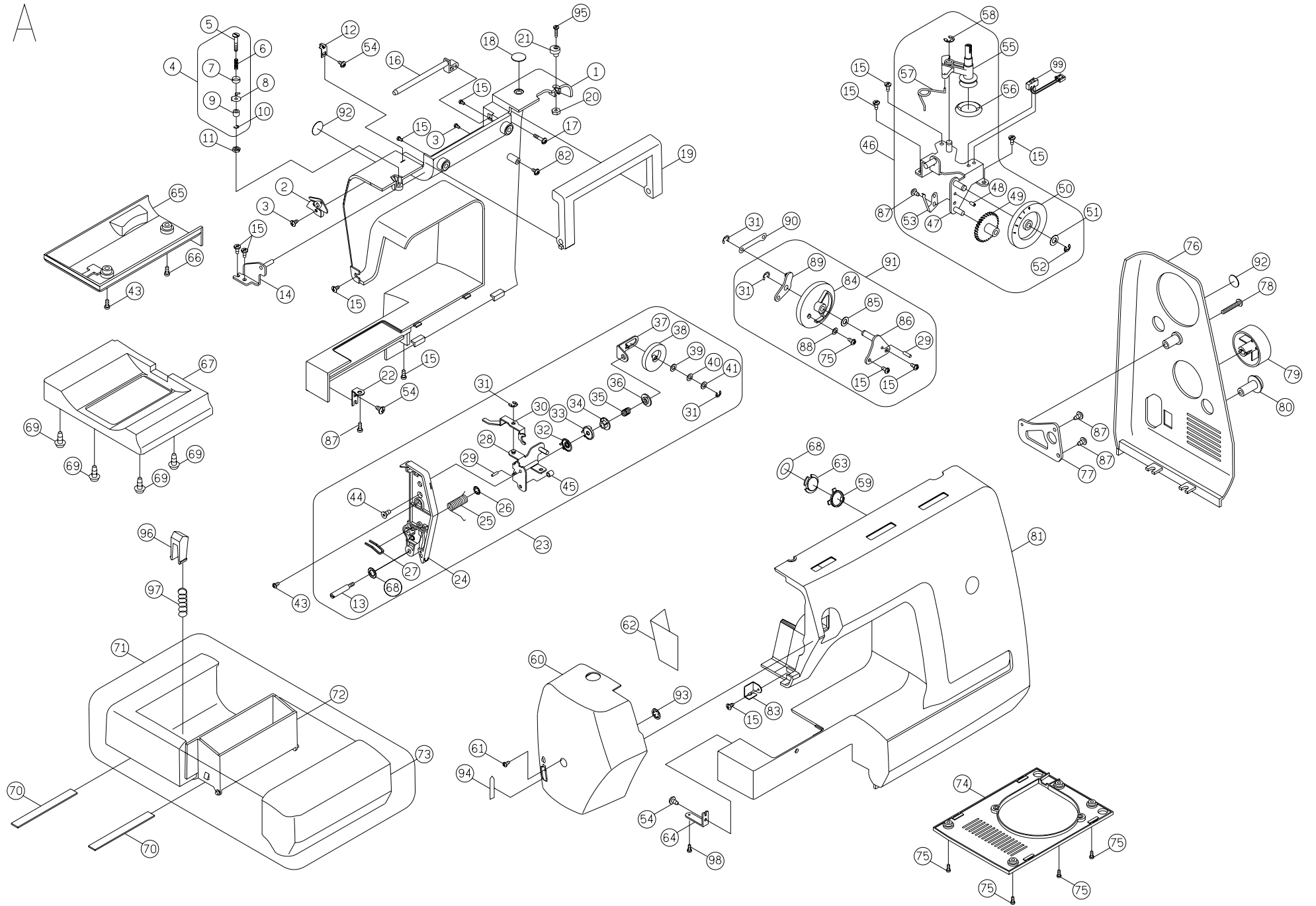
Model 7322-1/7312-1

029190054



Model 7322-1/7312-1

A

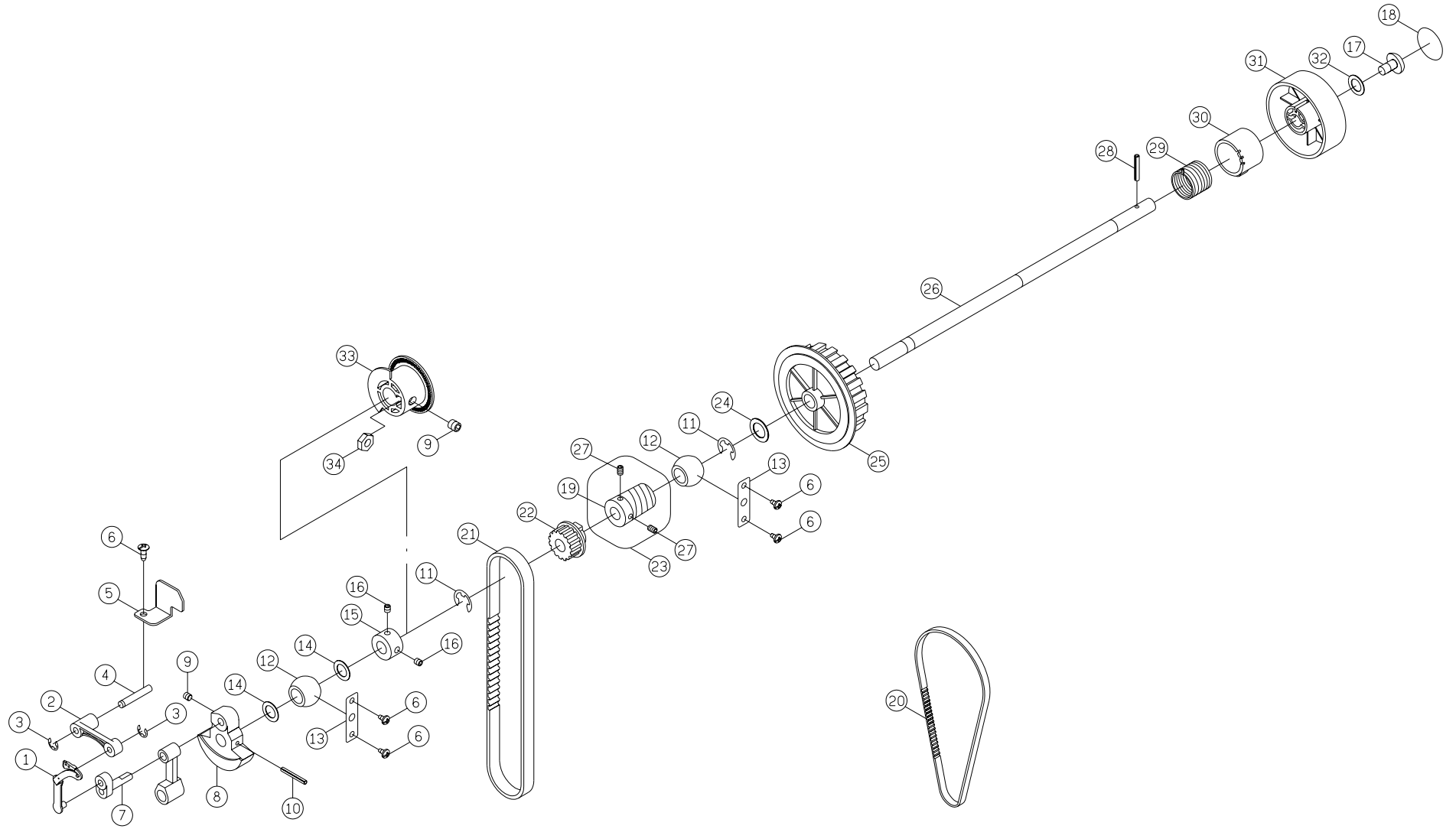


No.	Part No.	Description
1	EJD6033210	Back cover
2	V610155000	Thread guide complete
3	004230326*	Set screw (M3x12)
4	E1A2065000	Bobbin winder thread guide complete
5	E1A2053001*	Bobbin winder thread guide adjusting
6	H13153001	Bobbin winder thread guide spring
7	H13133001	Bobbin winder spring disc
8	V610223001	Bobbin winder thread guide
9	E1A2353006	Spacer
10	003010036	E-Ring (E-3)
11	004840106	Nut (ALN-4)
12	E1A2043001	Thread guide
13	004240982	Set screw (M3)
14	V61253006	Arm top cover plate
15	004240106	Set screw (M4x8A)
16	E1A1663210	Spool rod
17	004230655	Set screw (M3x1.06B)
18	V410123210	Plate
19	E1A1763210	Handle
20	004706013	Nut (9/64x40 t=3)
21	E1A2393000	Bobbin winder stopper
22	E1A1673002	Arm back cover set plate
23	END0044210	Dial tension complete
24	EJD0033210	Dial tension supporter plate cover
25	E1A2073000	Thread guide sprig
26	003020453*	CS ring
27	V61873001	Thread guide
28	E1A2183006	Dial tension supporter plate
29	003043010	Spring pin (Ø3x10x0.6)
30	E1A2113003	Dial tension waft plate
31	003010043*	E-Ring (E-4)
32	J30423001	Dial tension disc (1)
33	E1A2333001	Dial tension disc
34	R10593000	Dial tension spring regulator
35	NB1083000	Dial tension spring
36	K50193000	Dial tension regulator

No.	Part No.	Description
37	V60273006	Dial tension spring plate
38	EAC7783210	Dial tension knob
39	004300713*	Washer (5.2x10x0.2)
40	004500360*	Washer (WW-5)
41	004300643*	Washer (5.2x10x0.5)
42	004240286*	Set screw (M4x13B)
43	004240146*	Set screw (M4x15B)
44	004240176*	Set screw (M4x6D)
45	H11103001	Dial tension guide spring tube
46	EAC9274210	Bobbin winder frame complete (7322)
46	EAD9294210	Bobbin winder frame complete (7312)
47	E1A1785000	Bobbin winder frame
48	003043006*	Spring pin (Ø 3x8x0.6)
49	V61183000	Feed regulator gear
50	EAC9273210	Feed regulator dial (7322)
50	EAD929320	Feed regulator dial (7312)
51	004300186*	Washer (6.2x12x0.5)
52	003010046*	E-Ring (E-4)
53	EAA0203003	Feed regulator set plate
54	004230215	Set screw (M3x8.5)
55	V61165000	Bobbin winder crank complete
56	F20213000	Bobbin winder rubber pulley
57	V61563003	Bobbin winder crank spring
58	003011052*	E-Ring (E-5)
59	E5D0073000	Pattern display frame
60	EJD7193210	Face plate
61	004240782*	Set screw (M4x10B)
62	E1A2523000	Heat resistant plate
63	E5D0063000	Pattern display window
64	E1A1623002	Arm front cover set plate
65	E3A0203210	Free arm base
66	004240136	Set screw (M4x12)
67	E1A1753210	Free arm foot bush
68	008465000	Sticker
69	004230746	Set screw (M3x12)
70	E1A1843000	Sewing table body felt

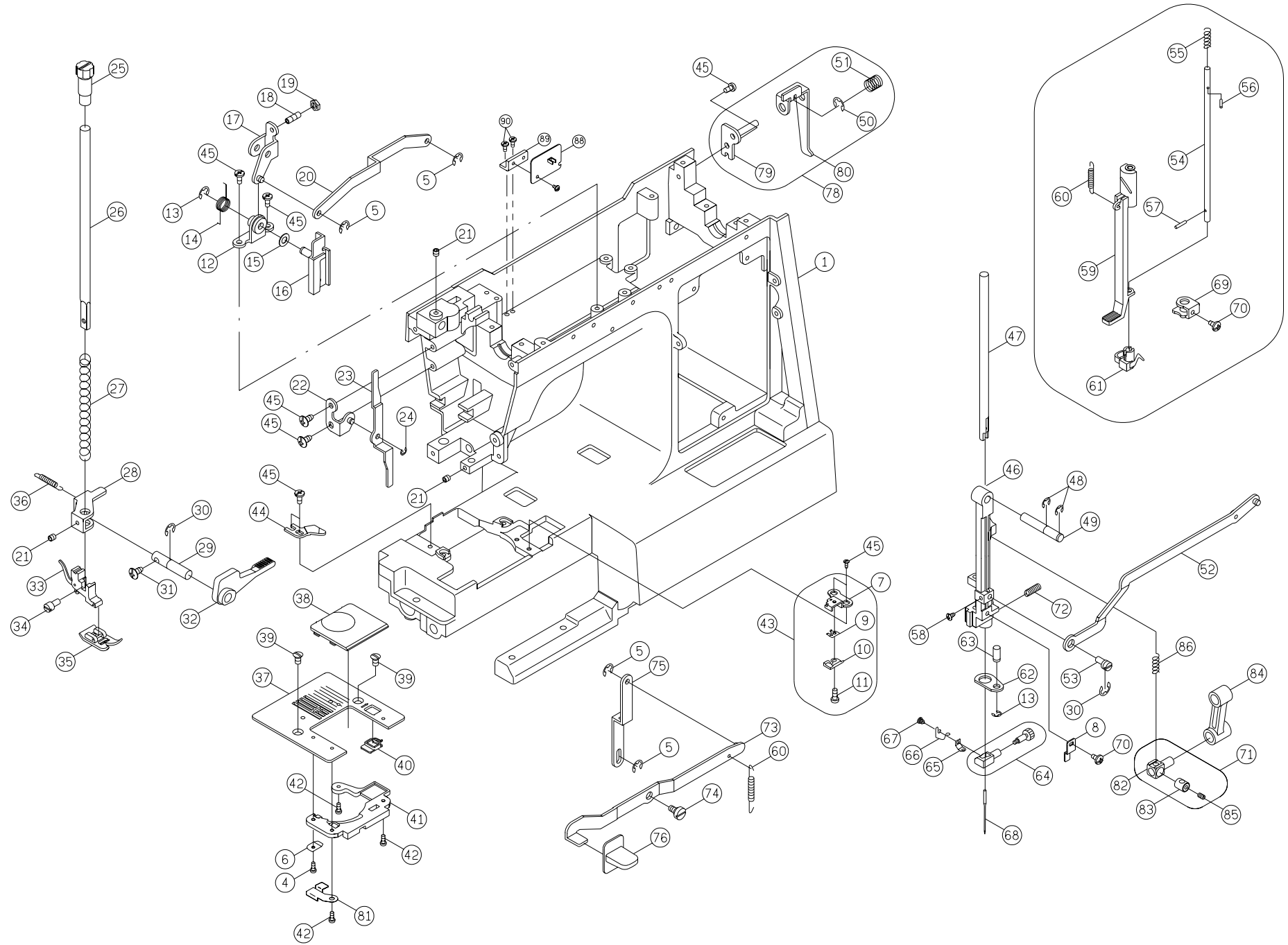
No.	Part No.	Description
71	EJD0084210	Sewing table complete
72	E1A1823210	Sewing table body
73	EJD0083210	Sewing table body cover
74	E1A1863210	Cord reel cover
75	004240046*	Set screw (M4x10B)
76	E1A4003210	Motor drive belt cover
76	E1A4013210	Motor drive belt cover
77	E1A1723003	Motor drive belt cover frame
78	004241106*	Set screw (M4x0.7A)
79	E4A0233210	Selector dial
80	E1A1703210	Adjusting dial
81	EAD0023210	Front cover (7322)
81	EAD3013210	Front cover (7312)
82	004240306*	Set screw (M4x10B)
83	E1A1883001	Arm top cover thread guide plate
84	F4A8763210	Zig zag width dial
85	004900063	Washer
86	E3A0113006	Zig zag width dial plate
87	004240056*	Set screw (M4x6B)
88	004300076*	Washer (4.2x9x0.5)
89	E3A0143006	Zig zag width crank
90	E3A0153003	Zig zag width crank rod
91	F4A8764210	Zig zag width dial complete
92	V61503210	Plate (1)
93	003020053	Washer (CS-5)
94	V630593000	Thread cutter
95	004106162*	Set screw (9/64x40x16)
96	H10133211	Sewing table body guide
97	H10143005	Sewing table body guide spring
98	004230066	Set screw (M3x12)
99	008853009	Switch ass'y

B



No.	Part No.	Description
1	E1A2685000	Thread take up lever
2	E1A2653000	Thread take up lever supporter
3	003010036*	E-Ring (ETW-3)
4	V60223003	Thread take up lever supporter shaft
5	E1A2313005	Thread take up lever supporter shaft plate
6	004240106*	Set screw (M4x8A)
7	E1A2663000	Arm shaft balance pin complete
8	E1A2213000	Arm shaft balance
9	004240223	Set screw (M4x6)
10	003043524*	Arm shaft balance pin (Ø3.5x24)
11	003010093	E-Ring (ETW-9)
12	R10293000	Arm shaft bushing
13	E1A2623003	Arm shaft bushing holder plate
14	004400080	Endure attrition washer
15	R10313000	Arm shaft collar
16	004250203*	Set screw (M5x5)
17	004250346*	Set screw (M5x10)
18	V16893210	Hand wheel decorated plate
19	E1A0063000	Arm shaft worm
20	007163471	Motor drive belt
21	E1A0083000	Motor drive belt
22	F4A0033000	Arm shaft sprocket
23	E1A0065000	Arm shaft worm complete
24	004300853*	Washer (10.2x15x0.5)
25	E4A0143210	Arm shaft drive belt pulley
26	E1A0044000	Arm shaft
27	004107283*	Spring pin (11/64x40x5)
28	003043018*	Spring pin (Ø3x18)
29	R10393000	Arm shaft clutch annulus spring
30	R10403000	Arm shaft collar
31	E1A0073210	Hand wheel
32	004300586*	Hand wheel washer (5.2x16x1.0)
33	E7R0333210	Rotary sensor collar
34	004840022	Nut(M4)

C

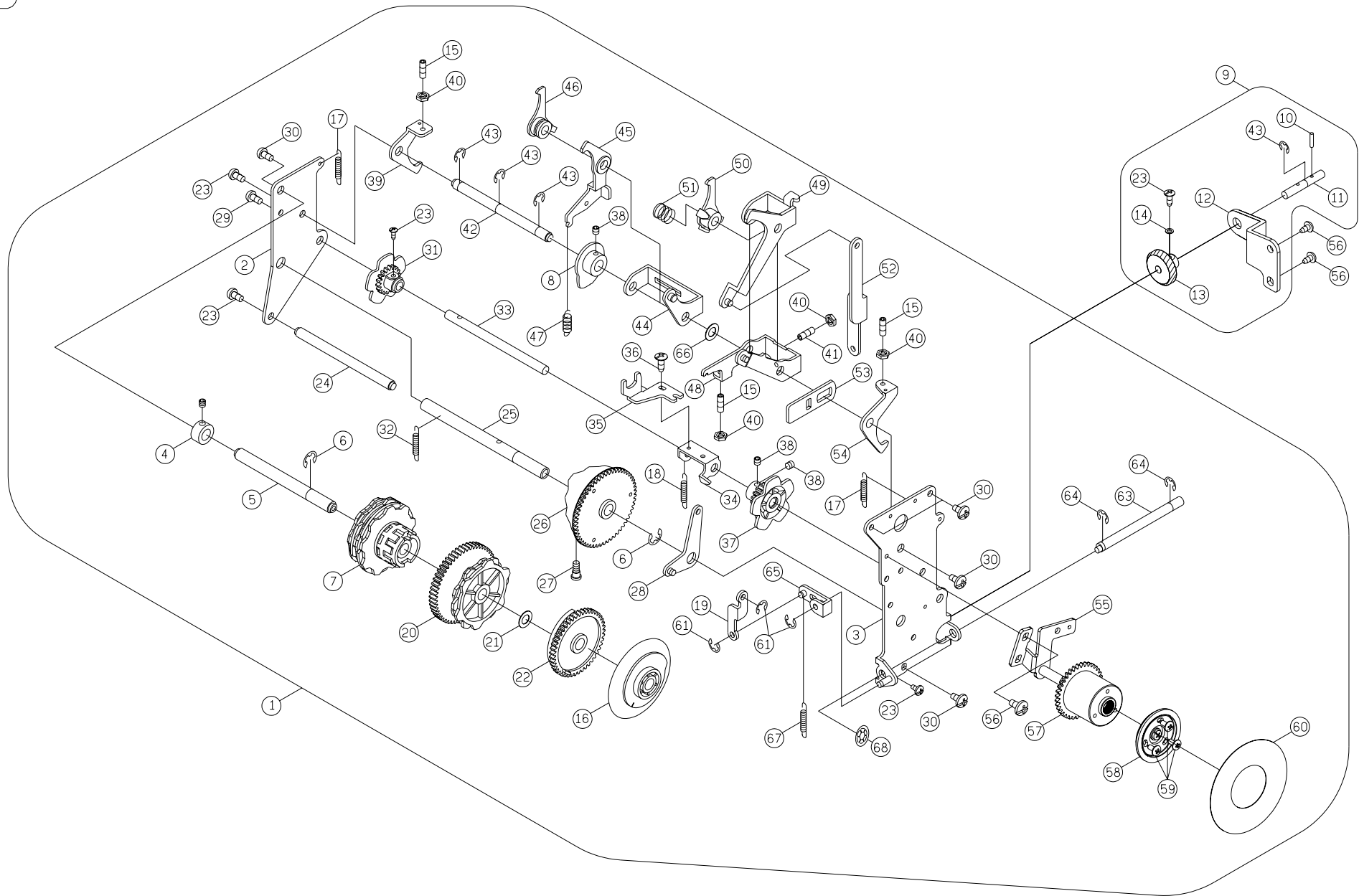


No.	Part No.	Description
1	E1A0013000	Arm
2	E1A1373003	BH selector plate
3	E1A1393003	BH slide plate
4	004103081	Set screw (SM3/32x56 L=5)
5	003010036*	E-Ring (ETW-3)
6	E1A2713000	Needle plate cover plate
7	E1A0603002	Rotary hook plate (2)
8	E1A2613002	Needle bar stopper plate
9	F30893000	Rotary hook plate spring (2)
10	F30883000	Rotary hook plate spring (1)
11	004220056	Set screw (M2x2.5)
12	E1A1283003	Zig zag width regulating cam plate
13	003010043*	E-Ring (ETW-4)
14	E1A1333003	Zig zag width spring
15	004300713*	Washer (5.2x10x0.2)
16	E1A1303002	Zig zag width regulating cam
17	E1A1323003	Zig zag regulator crank
18	004240633*	Set screw (M4x12)
19	004840106	Set Nut (ALN-4)
20	E1A1343003	Rod
21	004240503*	Set screw (M4x4)
22	E1A0243003	Movement plate supporter (1)
23	E1A0235000	Movement plate supporter
24	003010036*	E-Ring (ETW-3)
25	V620163210	Presser bar regulating screw
26	E1A0143002	Presser bar
27	E1A2493003	Presser bar spring
28	E1A0163003	Presser bar bracket complete
29	E1A2093003	Presser bar lifter lever shaft
30	003010053*	E-Ring (ETW-5)
31	004240146	Set screw (M4x15B)
32	E1A0173000	Presser bar lifter lever
33	006910008	Shank complete
34	004106211	Shank complete set screw
35	006918008	Zip zap presser foot complete
36	E1A2323003	Presser bar bracket spring

No.	Part No.	Description
37	E3A0253004	Needle plate
38	NB1293000	Needle plate cover
39	004240851*	Set screw (M4x6)
40	NB0233000	Needle plate cover open
41	E1A2593000	Needle plate cover
42	004103072*	Set screw (SM3/32x56 L=3)
43	E1A0584000	Rotary hook plate complete
44	E1A0593002	Rotary hook plate
45	004240056*	Set screw (M4x6B)
46	E1A0103000	Needle bar supporter
47	NB0533000	Needle bar
48	003080052*	E-Ring (BETW-5)
49	E1A1893000	Needle bar supporter pin
50	003010046*	E-Ring (ETW-4)
51	V61243003	Clutch rod spring
52	E3A0013003	Needle bar driving rod
53	E1A2433000	Needle bar driving rod pin
54	E1A0113000	Auto threaded shaft
55	R12793003	Auto threaded shaft spring
56	003042014*	Spring pin (Ø2x14)
57	003042006	Spring pin
58	004106233*	Set screw (9/64x40x7)
59	E1A0123000	Auto threaded lever
60	M70093000	Auto threaded lever spring
61	E1A2125000	Auto threaded
62	E1A0193003	Needle bar supporter plate
63	E1A0203003	Needle bar supporter plate pin
64	H10205000	Needle clamp complete
65	R12573000	Needle guide plate
66	H10223000	Needle bar thread guide
67	004103011	Set screw
68	006046148	Needle
69	M70073002	Auto threaded stopper
70	004230016*	Set screw (M3x6A)
71	H10195000	Needle bar crank rod complete
72	H50583003	Needle bar supporter spring

No.	Part No.	Description
73	E1A1543006	Reverse lever
74	004240883	Reverse lever set screw
75	E1A1553003	Reverse rod
76	EJD0143210	Reverse button
77	E1A2103003	BH cam plate
78	V61205003	Clutch rod complete
79	V61233003	Clutch rod plate
80	V61233003	Clutch rod
81	E1A2603000	Needle plate spring
82	H10253000	Needle bar bracket (1)
83	H10263000	Needle bar bracket (2)
84	F4A3343000	Needle bar crank rod
85	004240503	Set screw (M4x4)
86	H10723003	Tension lever lifter spring
87	EJD0193000	Micro switch supporter (1)
88	008852009	Photo sensor complete
89	E7R0373003	Photo sensor plate
90	004240106	Set screw(M4X8A)

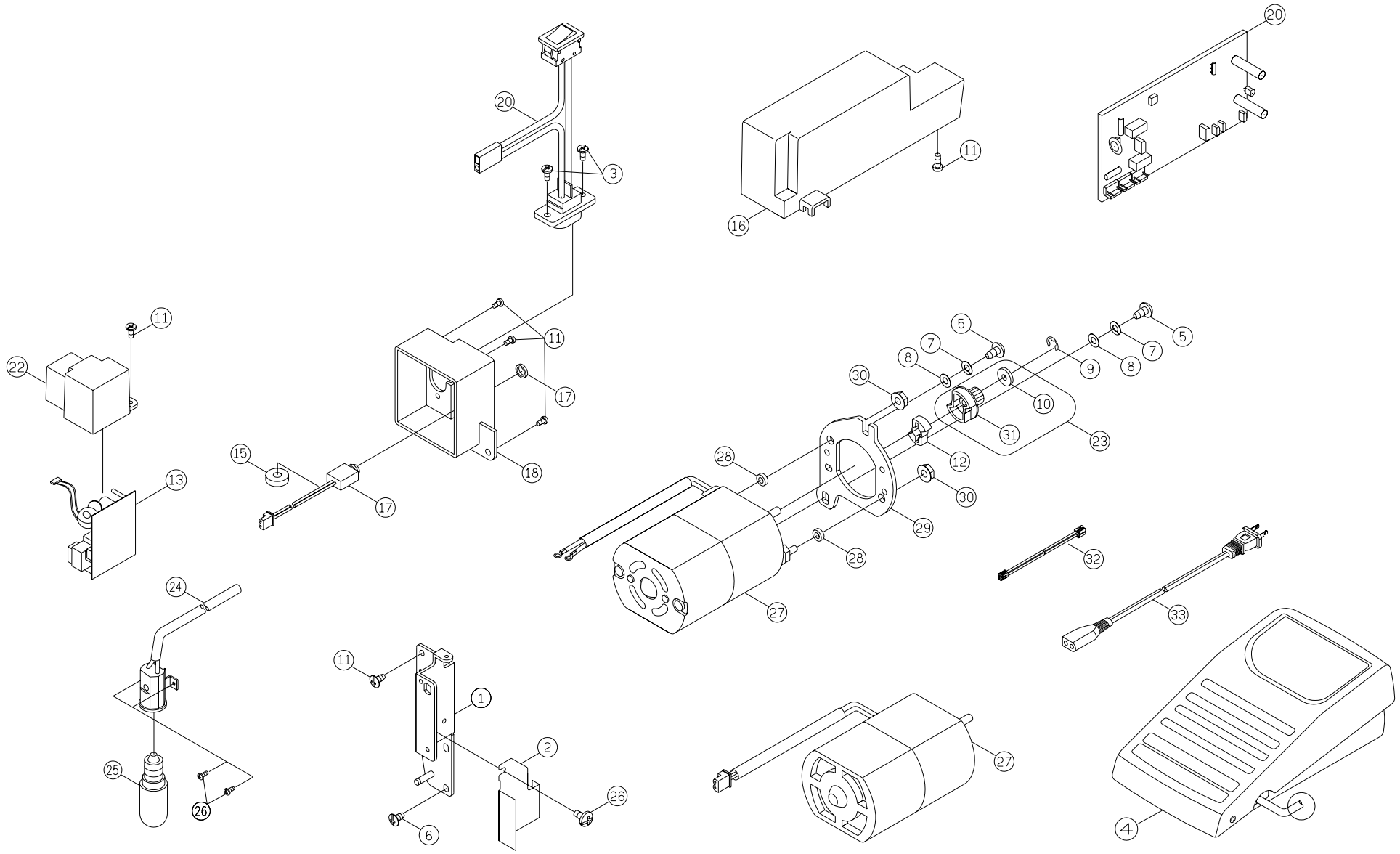
D



No.	Part No.	Description
1	EAD0014000	Pattern cam contact complete
2	E1A0673003	Pattern cam contact plate (back)
3	E1A0653003	Pattern cam contact plate (front)
4	H11935000	Pattern cam shaft collar complete
5	E1A0683003	Pattern cam shaft
6	003010063*	E-Ring (ETW-6)
7	EAA0053000	Pattern cam
8	EAA0153003	BH Selector cam
9	F4A3124000	Selector dial plate complete
10	003042516*	Spring pin (∅2.5x16)
11	E1A1243006	Selector dial shaft
12	F4A3303003	Selector dial plate
13	F4A3113000	Selector gear
14	004300676*	Washer (3.2x8x0.8)
15	004241093*	Set screw (M4x0.7)
16	EAA0023000	Stretch stitch selector cam
17	H70553003	Spring
18	M70093000	Auto threaded lever spring
19	E1A1133003	BH adjusting rod
20	EAA0043000	SS cam
21	004300863*	Washer (8.2x14x0.5)
22	EAA0033000	Feed regulator cam
23	004230286*	Set screw (M3x8B)
24	E1A1003003	Pattern cam contact supporter shaft
25	EAA0183003	Pattern selector cam shaft
26	EAA0143000	Pattern selector cam
27	004240423	Set screw (M4)
28	E1A1033003	Pattern selector adjusting lever
29	004240046*	Set screw (M4x10B)
30	004240106*	Set screw (M4x8A)
31	E1A1053000	Zig zag cam
32	E1A1223003	Feed regulating crank spring
33	E1A1043000	Pattern selector cam shaft
34	E1A1073006	Zig zag movement contact
35	E1A1083003	Movement plate
36	004230016*	Set screw (M3x6A)

No.	Part No.	Description
37	FCA0093000	Stretch stitch release
38	004240503*	Set screw (M4x4)
39	E1A0893003	Zig zag release plate
40	004840106*	Nut (ALN-4)
41	004240633*	Set screw (M4x0.7)
42	E1A0843000	Zig zag cam contact supporter shaft
43	003010056*	E-Ring (ETW-5)
44	E1A0853003	Zig zag cam contact supporter
45	EAA0103003	BH Feed crank
46	EAA0063003	Zig zag cam contact
47	E1A0973003	BH Feed crank spring
48	EAA0093003	BH adjusting crank
49	EAA0073003	SS cam contact supporter
50	EAA0083003	SS cam contact
51	E1A0903003	Zig zag release plate
52	E1A0943003	Feed rock shaft
53	E1A0983003	BH adjusting plate
54	E1A0993003	Stretch stitch release plate
55	E4D0064000	Selector dial plate
56	004240056*	Set screw (M4x6B)
57	E4D0033000	Pattern gear
58	E4D0053000	Pattern selector plate
59	004230215	Set screw (M3x8.5)
60	EAD5993210	Selector plate
61	003010036*	E-Ring (ETW-3)
62	004300833*	Washer (6.6x14x0.25)
63	E1A1113000	Adjusting shaft
64	003010043*	E-Ring (ETW-4)
65	E1A1123003	BH adjusting hook holder
66	004300833	Washer (6.6x14x0.25)
67	E1A2013003	Zig zag spring
68	003020043	CS-ring(CSTW-4)

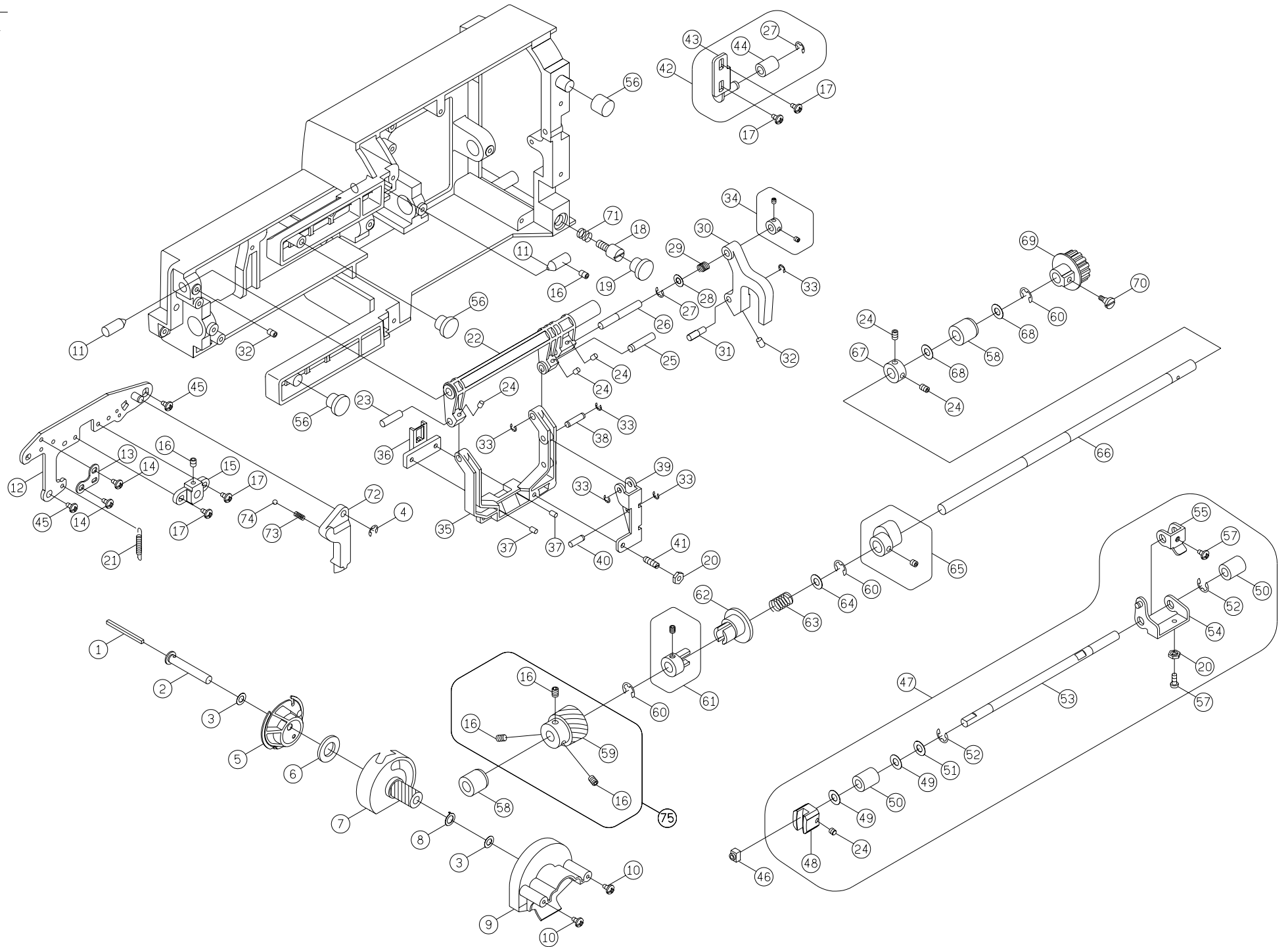
E



No.	Part No.	Description
1	EAA0213006	BH lever plate
2	E1A2373000	Shield
3	004230326	Set screw (M3×12)
4	001496409	Foot controller (C-9000)
5	004250086	Set screw (M5×12)
6	004240056	Set screw (M4×6B)
7	004600296	Spring Washer (5.2×9×1)
8	004300306	Washer (5.4×10×0.9)
9	003010036	E-Ring (ETW-3)
10	002145029	Motor feed regulator collar
11	004240106	Set screw (M4×8 A)
12	008059302	Cushion rubber
13	008848009	Power P.C. board complete
13	008849009	Power P.C. board complete
14	002027129	Cord clip
15	008678000	(10-039003)A2-100
16	008855009	Switch receptacle ass'y (for 120v)
16	008856009	Switch receptacle ass'y (for 230v)
17	008854009	Controller receptacle
18	008598210	Receptacle holder
19	008546000	P.C. Board box
20	008850009	Motor P.C. board (31-019087)
20	008851009	Motor P.C. board (31-019088)
21	004830015	Nut (M3 t=2.3)
22	EJD0103210	Power P.C. board box
23	002396028	Belt wheel plate
24	002511418	Lamp holder complete (for 220-240V)
25	005120021	Lamp (120V 10W E-12)
26	004230055	Set screw (M3×5)
27	001494408	Motor complete (for 120V)3M-752B400ZH
27	001495109	Motor complete (for 230V)4M-727G301ZH
28	004300966	Washer (4.2×8×2.5)
29	002503125	Motor bracket
30	004840051	Nut
31	002396029	Belt wheel
32	008587901	DC Supply cord

No.	Part No.	Description
33	002541418	Supply cord
33	002542118	Supply cord
33	002543318	Supply cord

F

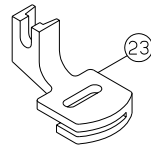
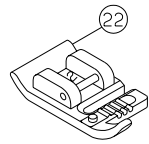
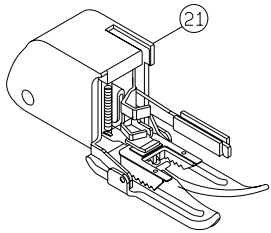
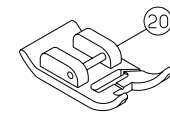
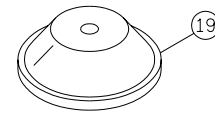
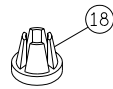
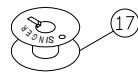
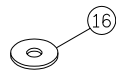
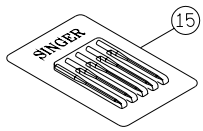
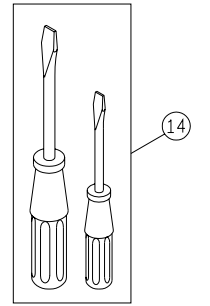
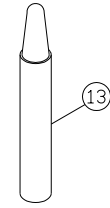
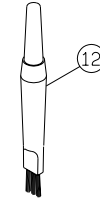
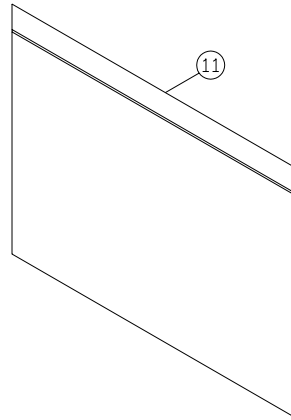
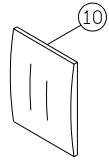
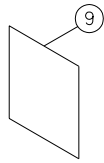
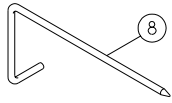
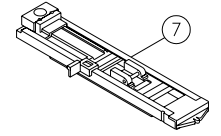
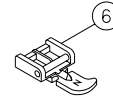
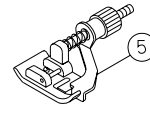
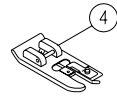
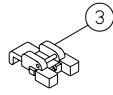
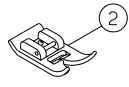
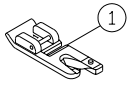


No.	Part No.	Description
1	NB0693000	Bobbin shaft oil cloth
2	E1A2033000	Bobbin shaft
3	NB0673000	Bobbin shaft washer (2)
4	003011043*	E-Ring (ETW-4)
5	E1A2824000	Shuttle hook complete
6	NB0643000	Magnet
7	NB1265000	Shuttle hook holder
8	NB0683000	Bobbin shaft washer (3)
9	E1A0563000	Needle plate cover
10	004230066*	Set screw (M3x12)
11	E1A0463000	Feed crank shaft
12	E1A0523000	Rotary hook holder
13	E1A0553000	Rotary hook holder positioned plate
14	004240056*	Set screw (M4x6B)
15	E1A0543000	Rotary hook supporter
16	004240033*	Set screw (M4x5)
17	004240106*	Set screw (M4x8A)
18	K82133003	Base plate adjustment screw
19	H70043000	Free arm vase cushion rubber
20	004840106	Adjusting nut (ALN-4)
21	E1A2343003	Feed regulating spring
22	E1A0373000	Feed rock shaft
23	E1A0403003	Feed rock frame shaft (2)
24	004240503*	Set screw (M4x4)
25	E1A0423003	Feed rock frame shaft (1)
26	E1A0383003	Feed rock bushing pin (1)
27	003010043*	E-Ring (ETW-4)
28	004300643*	Washer (5.2x10x0.5)
29	E1A2023003	Feed shaft spring
30	E1A2083210	Feed rock crank
31	F30323003	Feed rock crank pin
32	004240223*	Set screw (M4x6)
33	003010036*	E-Ring (ETW-3)
34	F30284000	Feed rock shaft collar
35	E1A0413000	Feed rock frame
36	E3A0033001	Feed dog

No.	Part No.	Description
37	004104012*	Set screw (1/18x44x5)
38	E1A0443003	Feed rock crank pin (1)
39	E4A0223002	Feed rock crank
40	E1A0453003	Feed lifting rock crank (2)
41	004240633	Feed back crank screw
42	E1A0345000	Belt adjusting plate complete
43	E1A0353000	Belt adjusting plate
44	H12323000	Belt adjusting plate pulley
45	004240585*	Set screw (M4x8)
46	F30333000	Feed regulating block
47	E1A0474000	Feed regulating plate complete
48	F30353000	Feed regulating
49	004400570*	Endure attrition washer
50	R11443000	Feed rock bushing
51	004300123*	Washer (6.7x12x1)
52	003011052*	E-Ring (ETW-5)
53	E1A0483003	Feed regulating shaft
54	E1A0503003	Feed regulating crank
55	E1A0493003	Feed crank
56	E1A2503000	Free arm vase cushion rubber
57	004240046*	Set screw (M4x10B)
58	E1A0283000	Lower shaft bushing
59	NB0503000	Lower shaft gear
60	003010063*	E-Ring (ETW-6)
61	E1A0305000	Feed lifting rock cam complete
62	E1A0290000	Feed lifting rock cam
63	E1A0333003	Lower shaft spring
64	004300936*	Washer (8.2x12x0.5)
65	E1A0325000	Feed rock cam complete
66	E1A0273000	Lower shaft
67	V11553003	Lower shaft collar
68	004400830	Endure attrition washer
69	E1A0313000	Lower shaft belt pulley
70	004230673*	Set screw (M3x14.5)
71	E1A2573006	Base plate adjustment screw spring
72	E1A0573210	Feed lifting shaft

No.	Part No.	Description
73	E1A1873003	Spring
74	H12883000	Steel ball
75	NB0495000	Lower shaft gear plate

G



No.	Part No.	Description
1	006900008	Hemmer foot (K)
2	006918008	Zig zag foot ©
3	006914008	Button sew on foot
4	006907008	Overcastting foot (E)
5	006904008	Blind hem foot (F)
6	006905008	Zipper foot (I)
7	006171008	Buttonhole foot (D)
8	006008001	Quilting bar
9	006051009	Anti-rusty
10	006052009	Drier
11	006011009	Accessories bag
12	006099008	Brush & Seam ripper complete
13	006013009	Oilier
14	006093009	Large & small screw drive
15	006175008	Needle
16	006015009	Felt cushion
17	006066008	Bobbin
18	TA10943209	Spool set plate (small)
19	R12373210	Spool set plate (big)
20	006172008	Satin stitch foot
21	006185008	Walking foot
22	006813008	Cording foot
23	006917008	Gathering foot

NOTE: When you order any spare parts from us, please cooperate with us by writing.

(1)Section,Sequence No,and Parts NO.

(2)Name of parts

(3)Voltage,if necessary

(4)"*"means: These spare parts are not supplied individually,but can be obtained by minimum quantity at 300 pcs.

2004/12/13