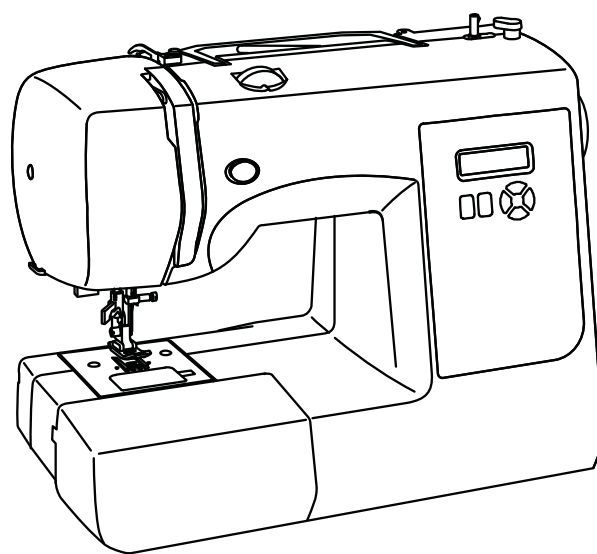




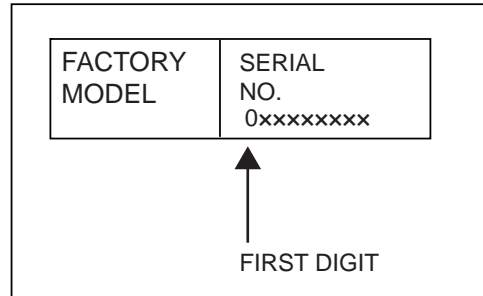
**SINGER** | Stylist™

**SINGER** | Patchwork™

7258  
7285Q



Liste de pièces  
Lista de Piezas  
Parts List

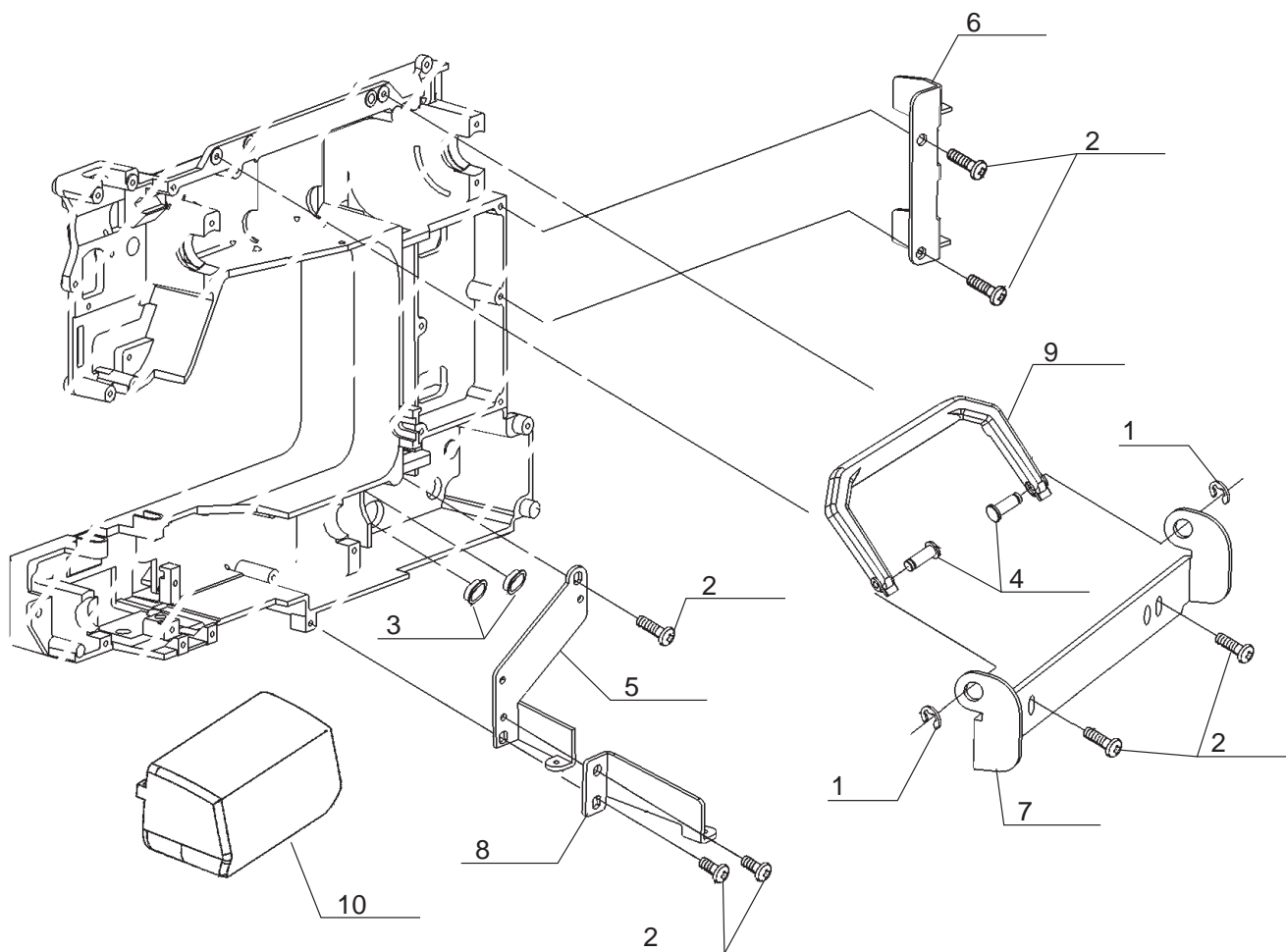


**IMPORTANT:**  
WHEN ORDERING THE PARTS ALWAYS CHECK THE SERIAL NUMBER OF THE MACHINE.

FIRST DIGIT OF THE SERIAL NUMBER MUST MATCH WITH THE LAST DIGIT OF THE FACTOR MODEL BELOW.

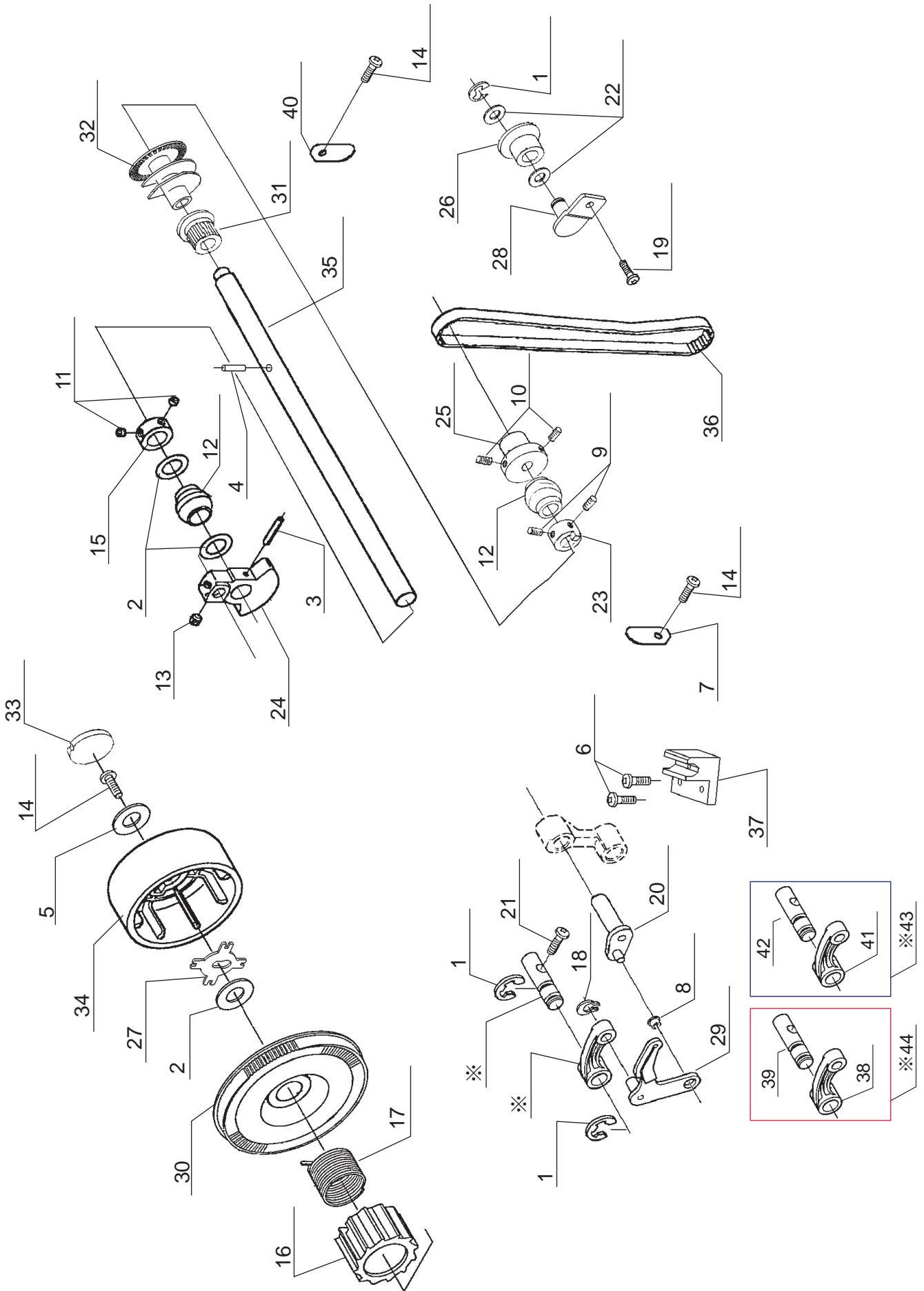
FACTORY MODEL CA35960

A

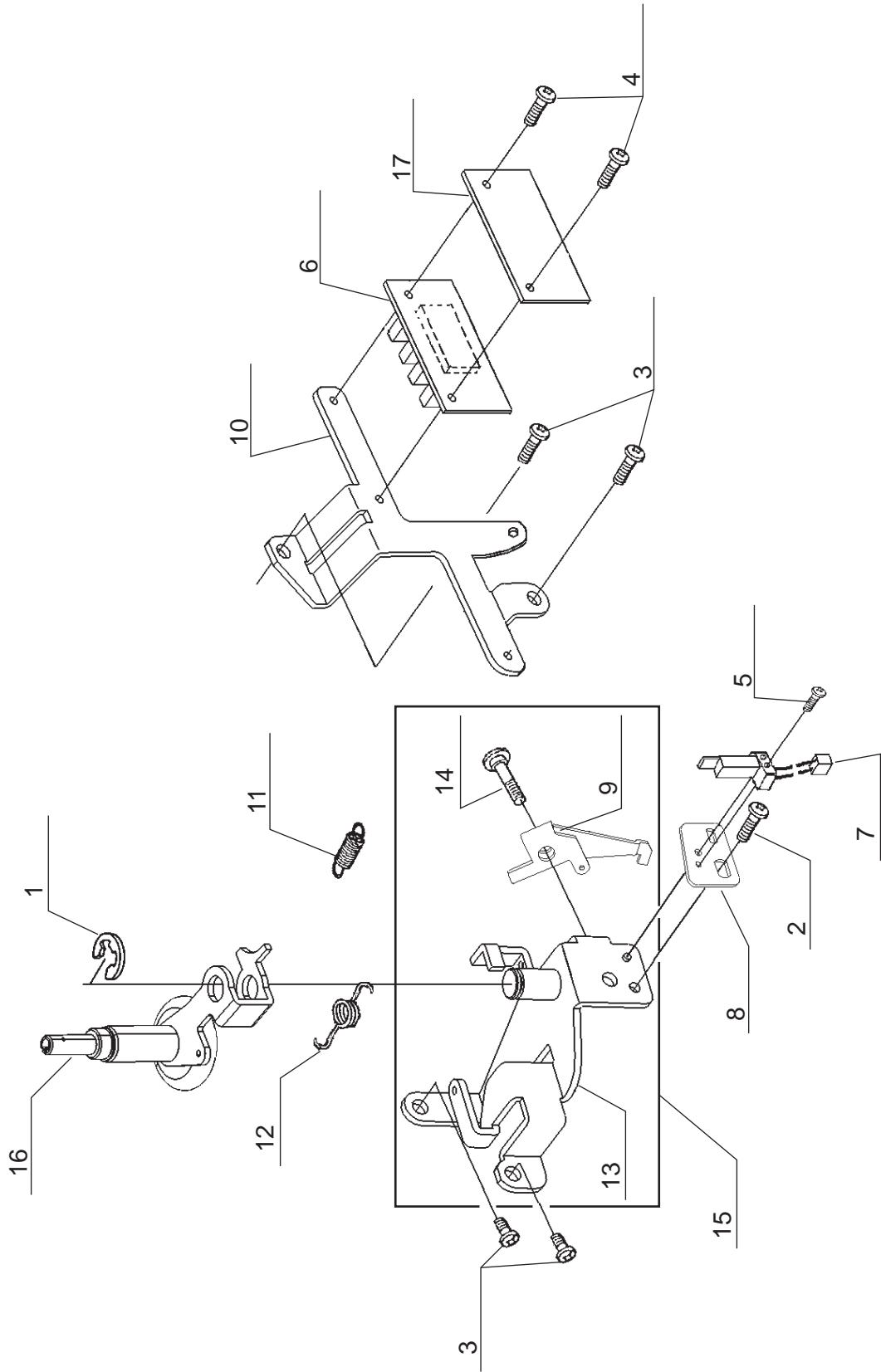


1	270 001513	E4 CLIP-ON-WASHER
2	270 077042	M4 PHILIPS SCREW
3	270 080070	CORD GUIDE
4	270 087216	PIN
5	416561101	BRACKET
6	416561201	BRACKET
7	416561301	HANDLE BRACKET
8	416561401	BRACKET
9	270 087907	HANDLE
10	270 087908	ACC. BOX

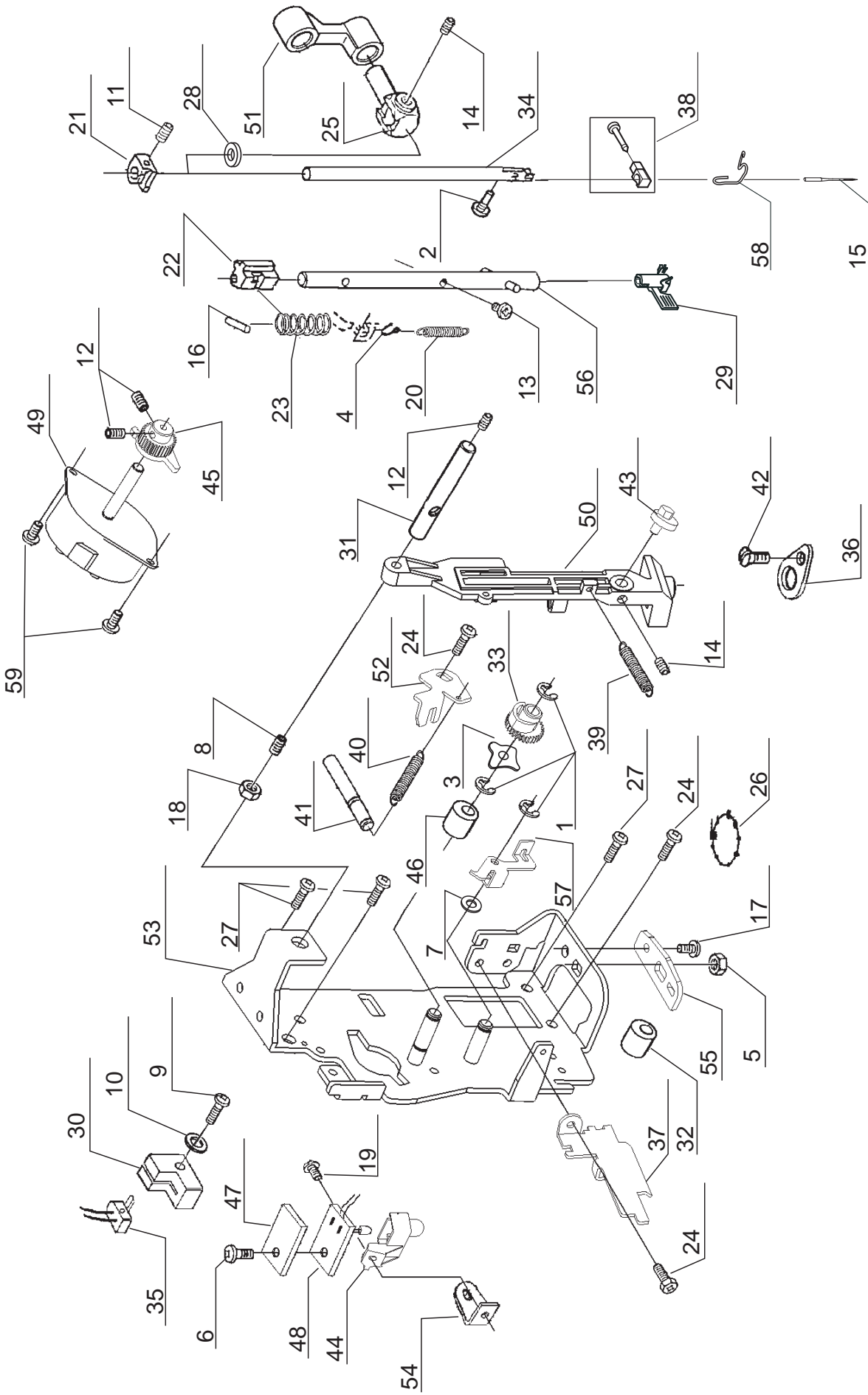
# B



POS	PART NO.	DESCRIPTION
1	270 010963	E6 CLIP-ON-WASHER
2	270 043389	THRUST WASHER
3	270 043930	SPRING PIN
4	270 044066	SPRING PIN
5	270 053403	WASHER
6	270 061224	M4 PHILIPS SCREW
7	270 066235	SECURING PLATE
8	270 066437	BUSH
9	270 066725	M4 SCREW
10	270 066727	M4 SCREW
11	270 067447	M5 SCREW
12	270 068152	BALL BUSH
13	270 073371	M6 SCREW
14	270 073434	M4 PHILIPS SCREW
15	270 073472	COLLAR
16	270 075047	CLUTCH
17	270 075194	TORSION SPRING
18	270 075207	CS-CLIP
19	270 075274	M4 PHILIPS SCREW
20	270 076366	CRANK SHAFT
21	270 077035	M4 PHILIPS SCREW
22	270 077056	WASHER
23	270 085013	POSITIONING COLLAR
24	270 085017	BALANCER
25	270 085046	COLLAR
26	270 085138	TENSION ROLLER
27	270 085217	RETAINER
28	270 087125	IDLER PULLEY BRACKET
29	270 087134	TAKE-UP LEVER
30	416664801	BELT PULLEY
31	270 087221	UPPER TIMING BELT GEAR
32	270 087241	ENCODER
33	270 087288	PULLEY CAP
34	270 087299	PULLEY
35	270 087705	MAIN SHAFT
36	270 087737	TIMING BELT
37	416561701	TAKE-UP LEVER SHAFT BLOCK
38	416460401	TAKE-UP LEVER CRANK
39	416513401	SHAFT
40	416561801	SECURING PLATE
41	416556701	TAKE-UP LEVER CRANK
42	270 076688	SHAFT
43	416770301	TAKE-UP/SHAFT SET
44	416556701	TAKE-UP/SHAFT SET

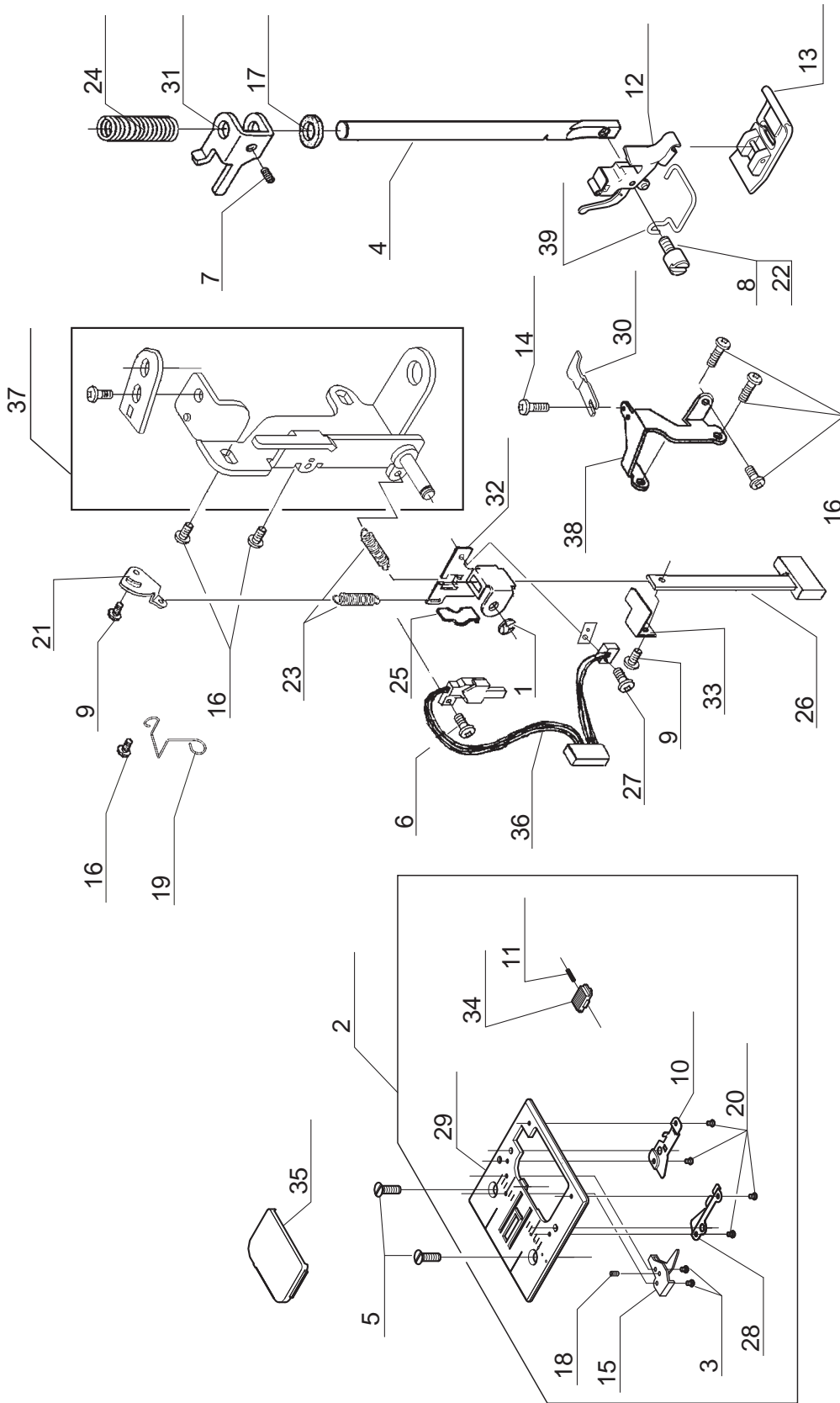


POS	PART NO.	DESCRIPTION
1	270 010963	E6 CLIP-ON-WASHER
2	270 073900	M3 PHILIPS SCREW
3	270 077042	M4 PHILIPS SCREW
4	270 077053	M3 PHILIPS SCREW
5	270 085274	M2 SCREW
6	270 087082	PHOTO SENSOR CIRCUIT BOARD
7	416827901	SWITCH HARNESS
8	416665301	MOUNTING BRACKET
9	416665401	RETAINER
10	270 087139	MOUNTING BRACKET
11	270 087180	EXTENSION SPRING
12	270 087182	TORSION SPRING
13	270 087739	BOBBIN WINDER BRACKET
14	416503301	M3 SHOULDER SCREW
15	416665601	BOBBIN WINDER BRACKET UNIT
16	270 087815	BOBBIN WINDER UNIT
17	416562101	INSULATION SHEET



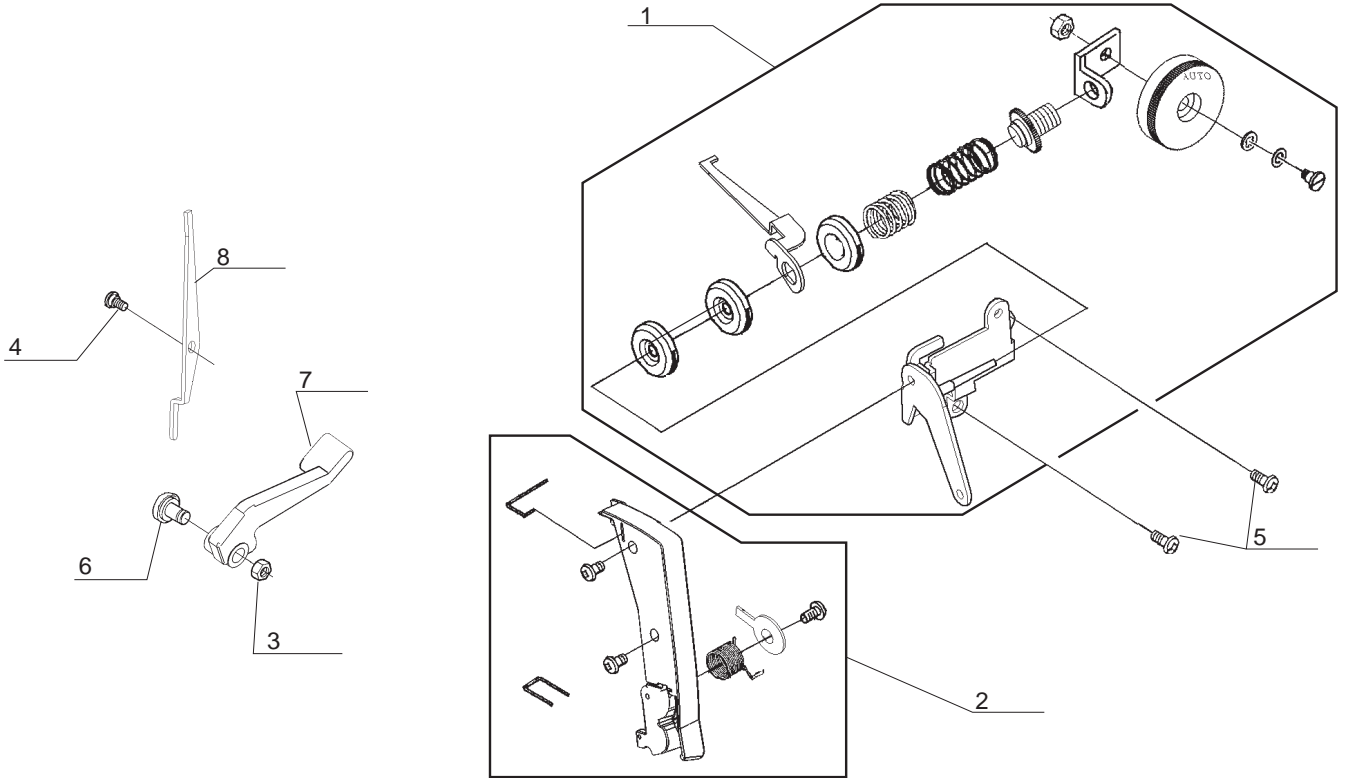


PART NO.	DESCRIPTION
1	270 001513 E4 CLIP-ON-WASHER
2	270 026934 #8 SCREW
3	270 028735 WASHER
4	270 028917 HOOK FOR SPRING
5	270 031733 M3 NUT
6	270 039213 M3 SCREW
7	270 053321 THRUST WASHER
8	270 061341 M4 SCREW
9	270 063796 M3 SCREW
10	270 063805 WASHER
11	270 064359 M4 SCREW
12	270 064653 M3 SCREW
13	270 066005 M2 PHILLIPS SCREW
14	270 066725 M4 SCREW
15	270 067232 NEEDLE
16	270 068343 PIN
17	270 072367 M4 CP SCREW
18	270 073299 M4 TORQUE NUT
19	270 073900 M3 PHILLIPS SCREW
20	270 074050 EXTENSION SPRING
21	270 075024 STOPPER
22	270 075025 GUIDE BLOCK
23	270 075027 COMPRESSION SPRING
24	270 076317 M3 PHILIPS SCREW
25	270 077037 NEEDLE BAR CLAMP
26	270 077041 UNITY FASTENER
27	270 077042 M4 PHILIPS SCREW
28	270 077043 FELT
23	270 077421 THREADER ASSEMBLY
30	270 077527 SENSOR COVER
31	270 080095 STRAIGHT PIN
32	416562201 TUBE
33	416562301 ZIGZAG CAM WITH GEAR
34	270 085041 NEEDLE BAR
35	416562401 SWITCH HARNESS FOR ZIGZAG
36	270 087111 NEEDLE BAR SWING BRACKET
37	270 087120 THREAD GUIDE PLATE
38	270 087154 NEEDLE CLAMP SET
39	270 087183 SPRING
40	270 087188 SPRING
41	270 087207 STRAIGHT PIN
42	270 087211 M3 SCREW
43	270 087225 ECCENTRIC CAM
44	270 087236 LED LIGHT COVER
45	270 087246 PINION GEAR
46	270 087265 SPACER
47	270 087267 INSULATION SHEET
48	270 087502 LED LIGHT CIRCUIT BOARD
49	270 087600 STEPPING MOTOR
50	416562501 NEEDLE BAR SUPPORT
51	416562601 NEEDLE BAR CRANK
52	416562701 SECURING PLATE
53	416562801 NEEDLE BAR SUPPORT BRACKET
54	270 087724 L-R LIMITER
55	270 087726 NEEDLE BAR ADJUSTING PLATE
56	416563001 THREADER SHAFT SET
57	416563101 BELL CLANK FOR ZIGZAG
58	270 088089 THREAD GUIDE
59	270 080110 M3 PHILIPS SCREW

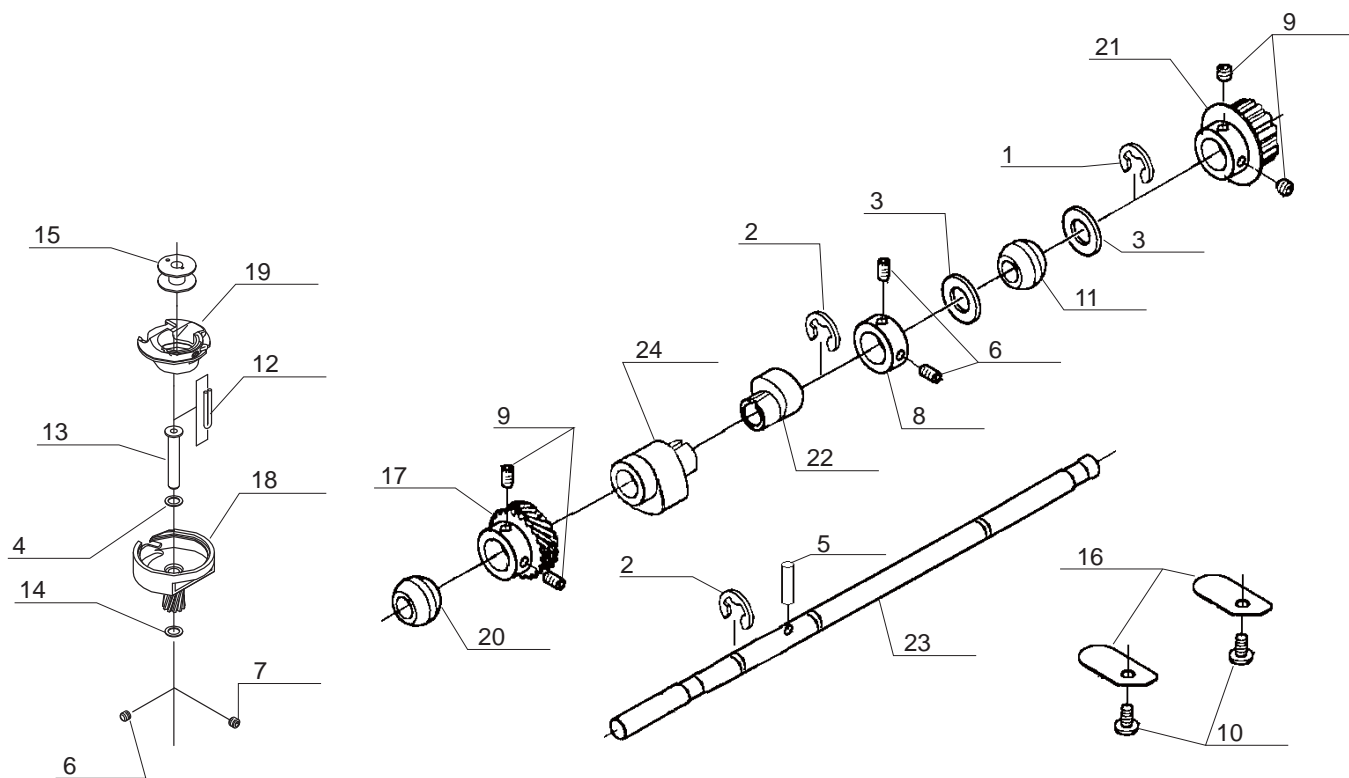


POS	PART NO.	DESCRIPTION
1	270 001520	E3 CLIP-ON-WASHER
2	270 051046	NEEDLE PLATE SET
3	270 056858	M2 PHILIPS SCREW
4	270 063278	PRESSER BAR
5	270 064051	M4 SCREW
6	270 066005	M2 PHILIPS SCREW
7	270 066727	M4 SCREW
8	270 068299	#7 SCREW FOR SHANK
9	270 073900	M3 PHILIPS SCREW
10	270 076114	COVER GUIDE (R)
11	270 076159	COMPRESSION LEVER
12	270 076250	PRESSER FOOT HOLDER
13	270 076251	ZIGZAG PRESSER FOOT
14	270 076317	M3 PHILIPS SCREW
15	270 076547	THREAD CONTROL PLATE
16	270 077042	M4 PHILIPS SCREW
17	270 077043	FELT
18	270 079491	SCREW
19	270 080079	CORD GUIDE
20	270 080096	M2 PHILIPS SCREW
21	270 080102	CONTROL PLATE
22	416514401	SCREW FOR SHANK (ITALY ONLY)
23	270 085064	EXTENSION SPRING
24	270 085065	COMPRESSION SPRING
25	270 085181	LEAF SPRING
26	270 085198	BH PLATE (A)
27	270 085262	M2 SCREW
28	270 086256	COVER GUIDE (L)
29	270 087106	NEEDLE PLATE
30	270 087107	BOBBIN CASE STOPPER
31	270 087114	PRESSURE BAR GUIDE
32	270 087117	BH PLATE (B)
33	270 087118	BH PLATE (C )
34	270 087234	RELEASE LEVER
35	270 087456	NEEDLE COVER PLATE
36	416828001	BH SWITCH HARNESS
37	416555801	PRESSURE BAR BRACKET SET
38	416560601	BRACKET
39	416539601	FINGER GUARD (ITALY ONLY)

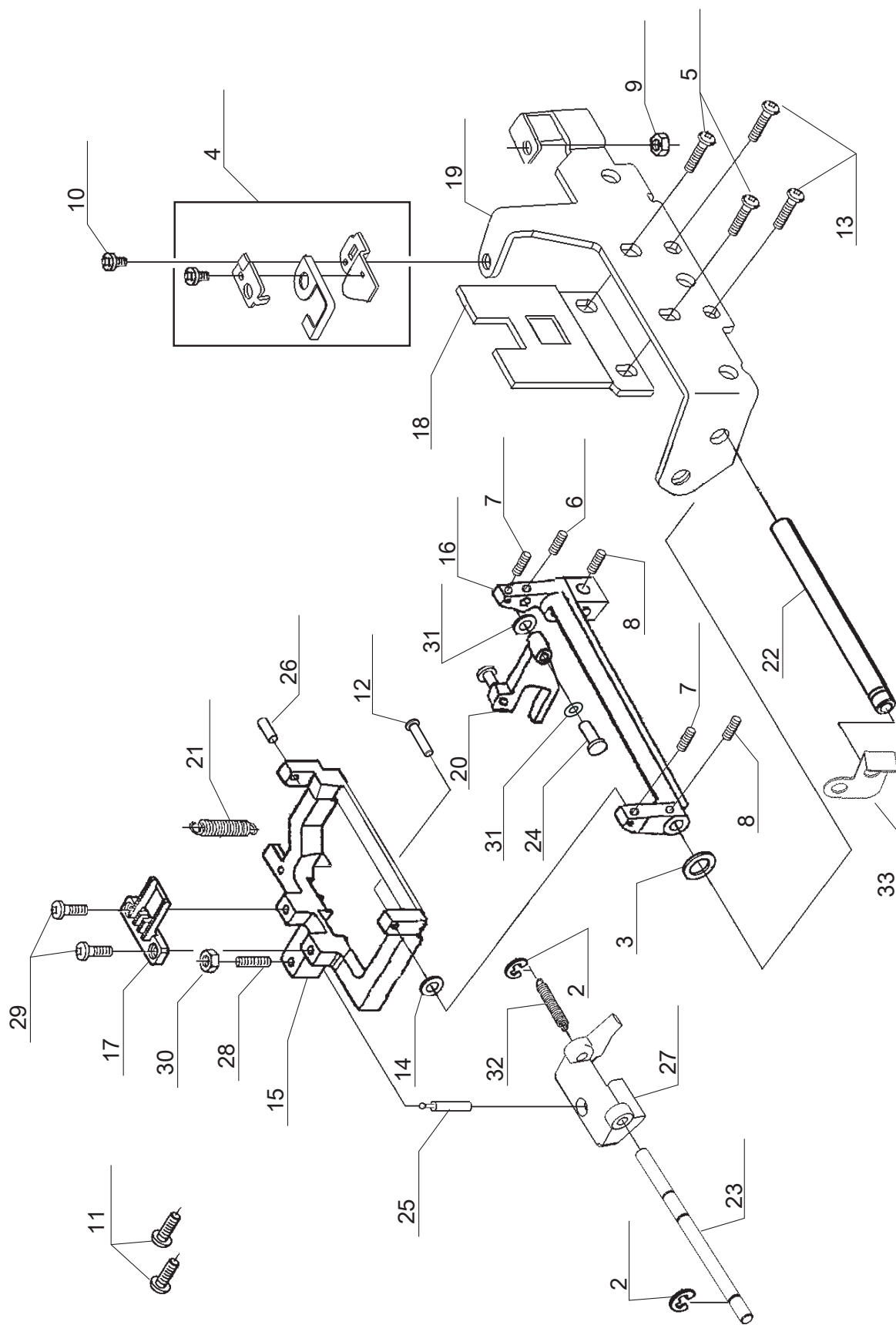
# F



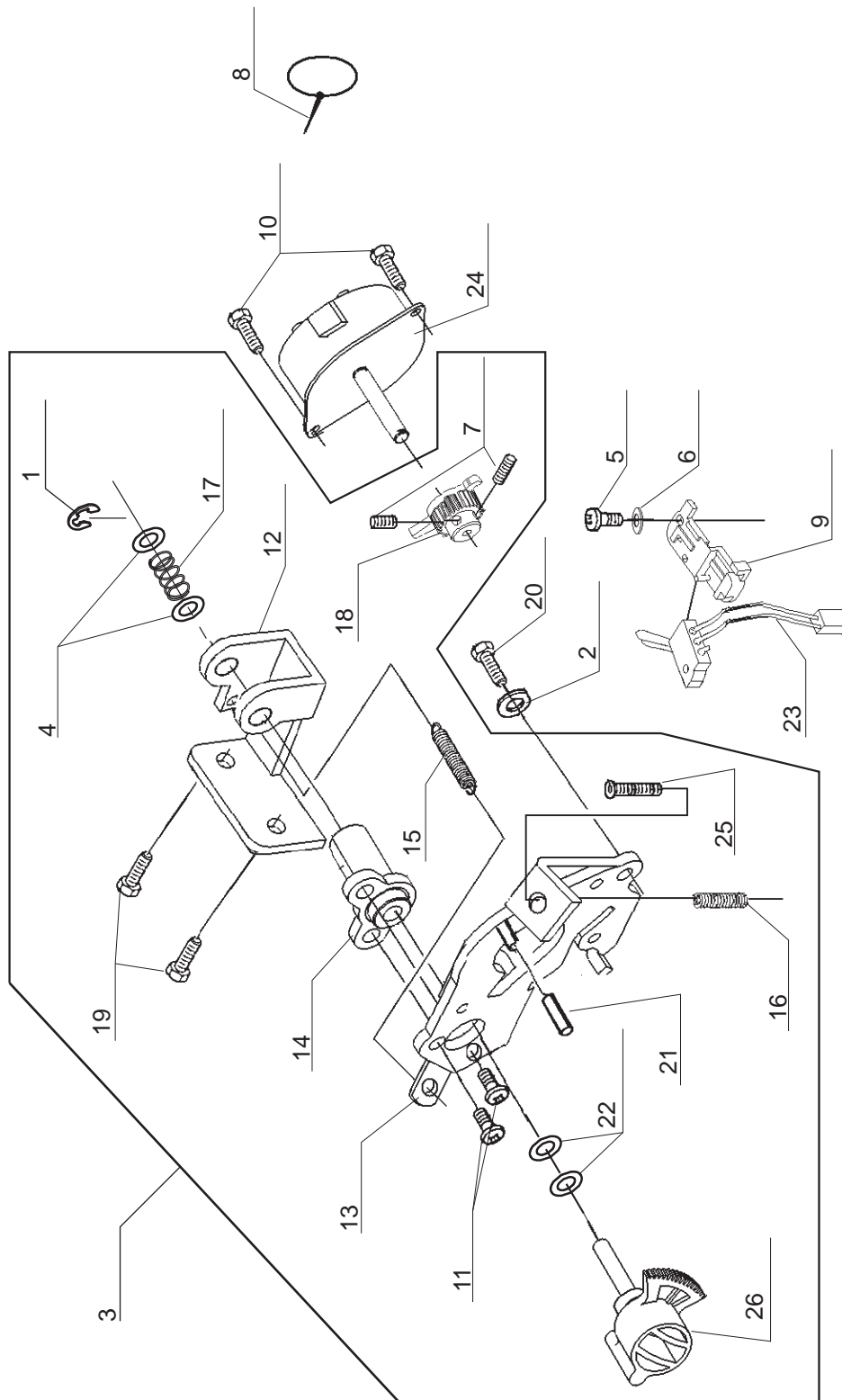
POS	PART NO.	DESCRIPTION
1	416560701	TENSION ASSY
2	270 052033	THREAD GUIDE PLATE ASSY
3	270 062215	M4 NUT
4	270 072266	M4 STUD SCREW
5	270 077042	M4 PHILLIPS SCREW
6	270 087212	M4 SCREW
7	270 087806	PRESSURE BAR LIFTER
8	416560901	TENSION RELEASE LEVER



POS	PART NO.	DESCRIPTION
1	270 001504	E6 CLIP-ON-WASHER
2	270 010963	E6 CLIP-ON-WASHER
3	270 043390	THRUST WASHER
4	270 043392	THRUST WASHER
5	270 064179	SPRING PIN
6	270 066725	M4 SCREW
7	270 066727	M4 SCREW
8	270 067444	COLLAR
9	270 067447	M5 SCREW
10	270 073434	M4 PHILIPS SCREW
11	270 076141	BALL METAL
12	270 076203	OILING CORD
13	270 080078	SHUTTLE RACE SHAFT
14	416514601	WASHER
15	270 085128	BOBBIN
16	270 085247	SECURING PLATE
17	416434001	BEVEL GEAR
18	270 087051	SHUTTLE RACE
19	270 087061	BOBBIN CASE
20	270 087170	BALL METAL
21	270 087171	TIMING BELT GEAR (LOWER)
22	270 087228	FEED CAM
23	416561001	LOWER STRAIGHT SHAFT
24	270 088115	LIFTING CAM



POS	PART NO.	DESCRIPTION
2	270 001520	E3 CLIP-ON-WASHER
3	270 032949	WASHER
4	270 051058	RETAINER SET
5	270 061221	M4 PHILIPS SCREW
6	270 061333	M4 SCREW
7	270 064653	M3 SCREW
8	270 066725	M4 SCREW
9	270 073299	M4 TORQUE NUT
10	270 073900	M3 PHILIPS SCREW
11	270 075274	M4 PHILIPS SCREW
12	270 076132	SHAFT
13	270 077042	M4 PHILIPS SCREW
14	270 085252	WASHER
15	270 087103	FEED DOG BASE
16	270 087104	FEED DOG BASE SUPPORT
17	270 087105	FEED DOG
18	270 087122	SUPPORT PLATE
19	270 087145	SECURING BRACKET
20	270 087174	FORKED CRANK
21	270 087186	TORSION SPRING
22	270 087202	SHAFT
23	270 087203	SHAFT
24	270 087206	PIN
25	270 087208	BALL HEADED □ PIN
26	270 087210	PIN
27	270 087226	VERTICAL FEED BLOCK
28	270 087232	M6 STUD SCREW
29	270 087262	M3 CP SCREW
30	270 087268	M6 NUT
31	270 087269	WASHER
32	270 087433	TORSION SPRING
33	416506801	SECURING PLATE

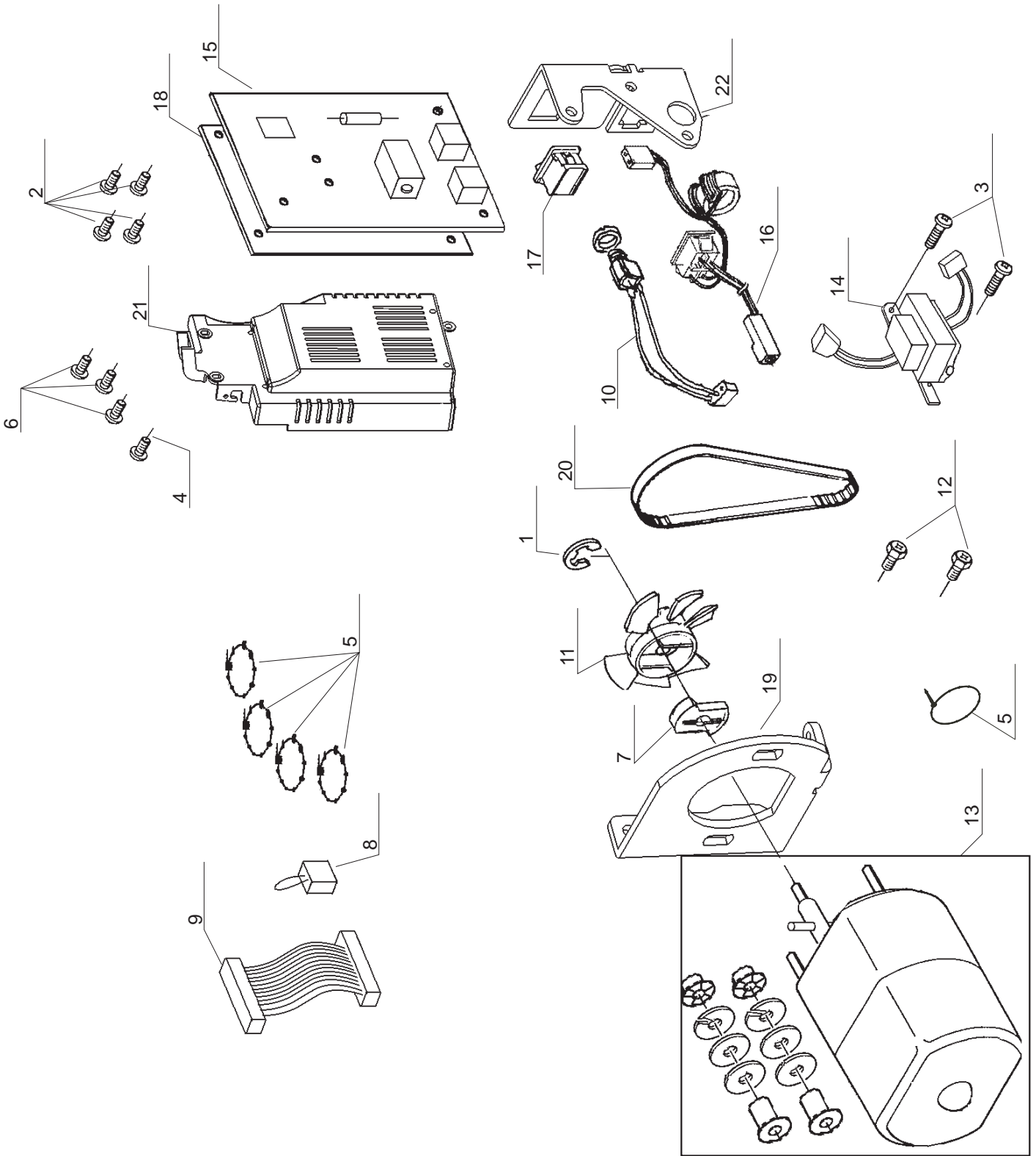




POS	PART NO.	DESCRIPTION
1	270 001513	E4 CLIP-ON-WASHER
2	270 031246	WASHER
3	270 051049	FEED REGULATOR UNIT
4	270 059221	WASHER
5	270 063796	M3 SCREW
6	270 063805	WASHER
7	270 064653	M3 SCREW
8	270 077041	UNITY FASTENER
9	270 077527	SENSOR COVER
10	270 080110	M3 PHILIPS SCREW
11	416442801	M3 PHILIPS SCREW
12	270 087146	BRACKET
13	270 087148	STEPPING MOTOR BRACKET
14	270 087178	FEED REGULATOR SHAFT METAL BUSH
15	270 087188	EXTENSION SPRING
16	270 087189	COMPRESSION SPRING
17	270 087191	COMPRESSION SPRING
18	270 087253	PINION GEAR
19	416821901	CP BOLT
20	270 087262	M3 CP SCREW
21	270 087273	PIN
22	270 087274	WASHER
23	416463101	SWITCH HARNESS
24	270 087600	STEPPING MOTOR
25	270 087668	M4 BOLT
26	270 088118	FEED REGULATOR

# J

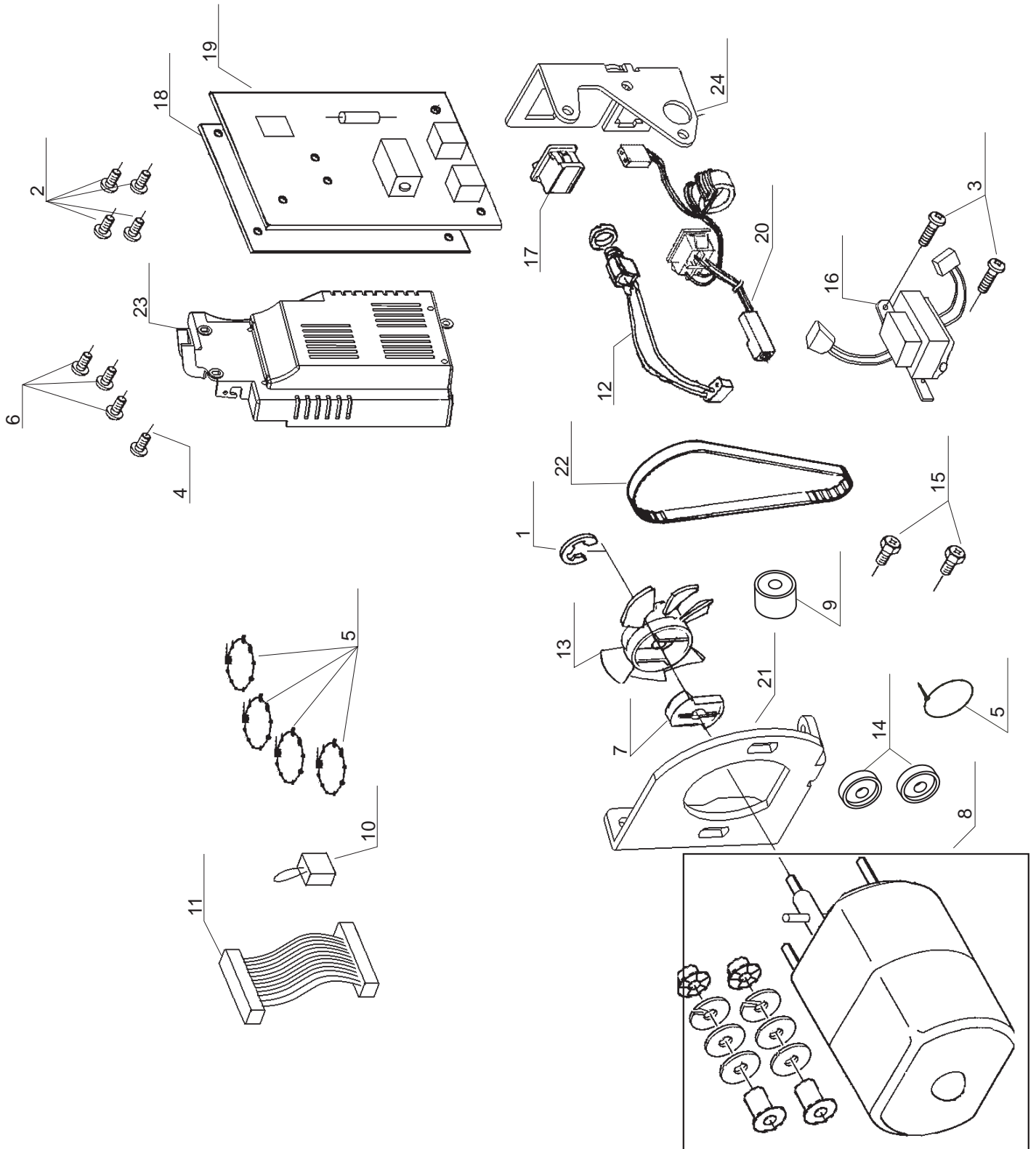
## 120 V



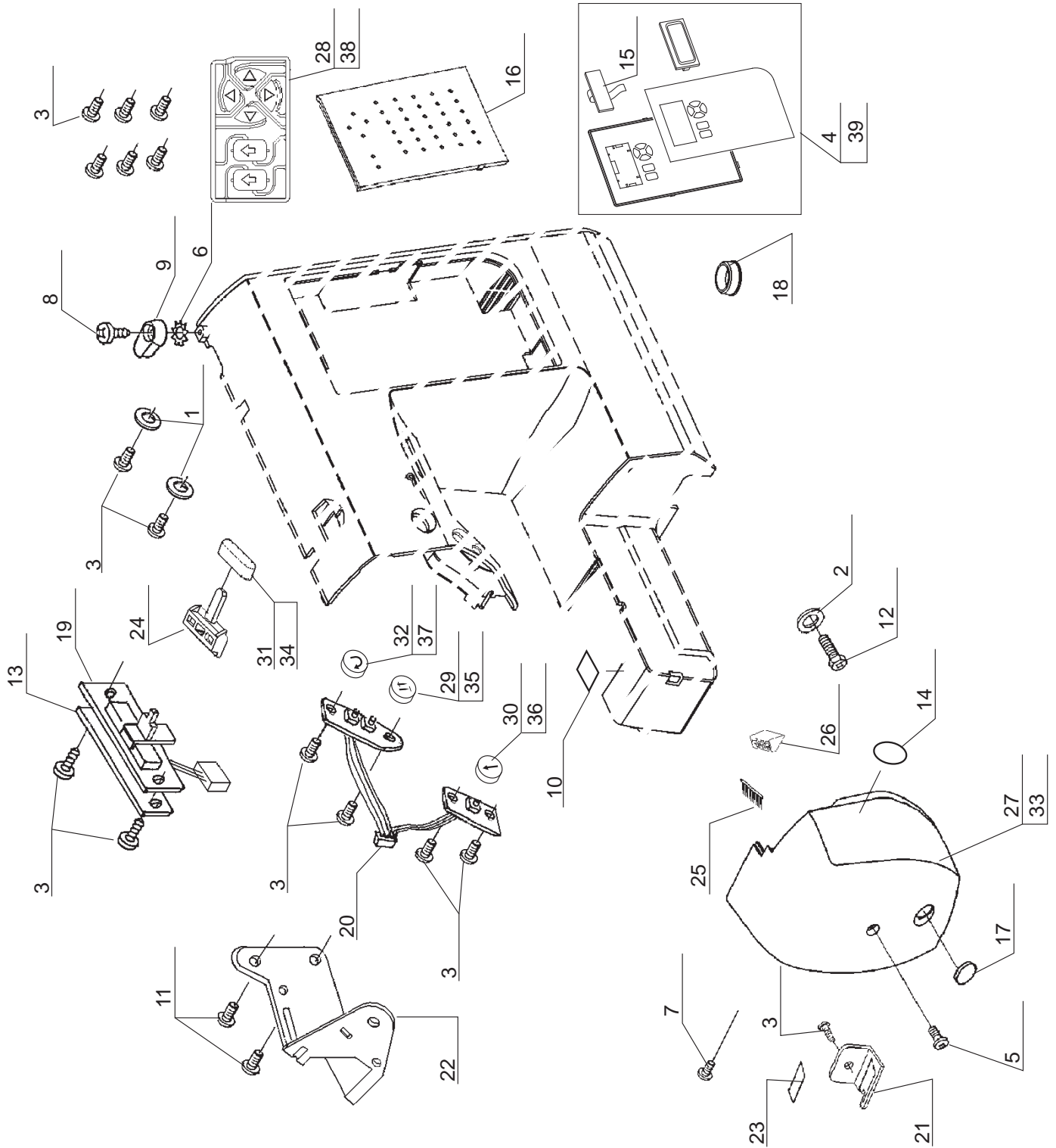
POS	PART NO.	DESCRIPTION
1	270 001520	E3 CLIP-ON-WASHER
2	270 039213	M3 SCREW
3	270 061222	M4 PHILIPS SCREW
4	270 061224	M4 PHILIPS SCREW
5	270 077041	UNITY FASTENER
6	270 077042	M4 PHILLIPS SCREW
7	270 077614	GEAR CLUTCH
8		
9	416537801	5P CORD HARNESS
10	270 087085	PIN-JACK HARNESS
11	270 087237	MOTOR FAN
12	416821901	CP BOLT
13	270 087510	MAIN MOTOR 120V
14	270 087514	TRANSFORMER 120V
15	270 087530	CIRCUIT BOARD 120V
16	270 087536	INLET HARNESS
17	270 087541	SWITCH
18	270 087542	INSULATION SHEET
19	416563601	MAIN MOTOR BRACKET
20	416512401	DRIVING BELT
21	416563701	AC CIRCUIT BOARD BOX
22	416563801	SWITCH BRACKET

# K

## 230V



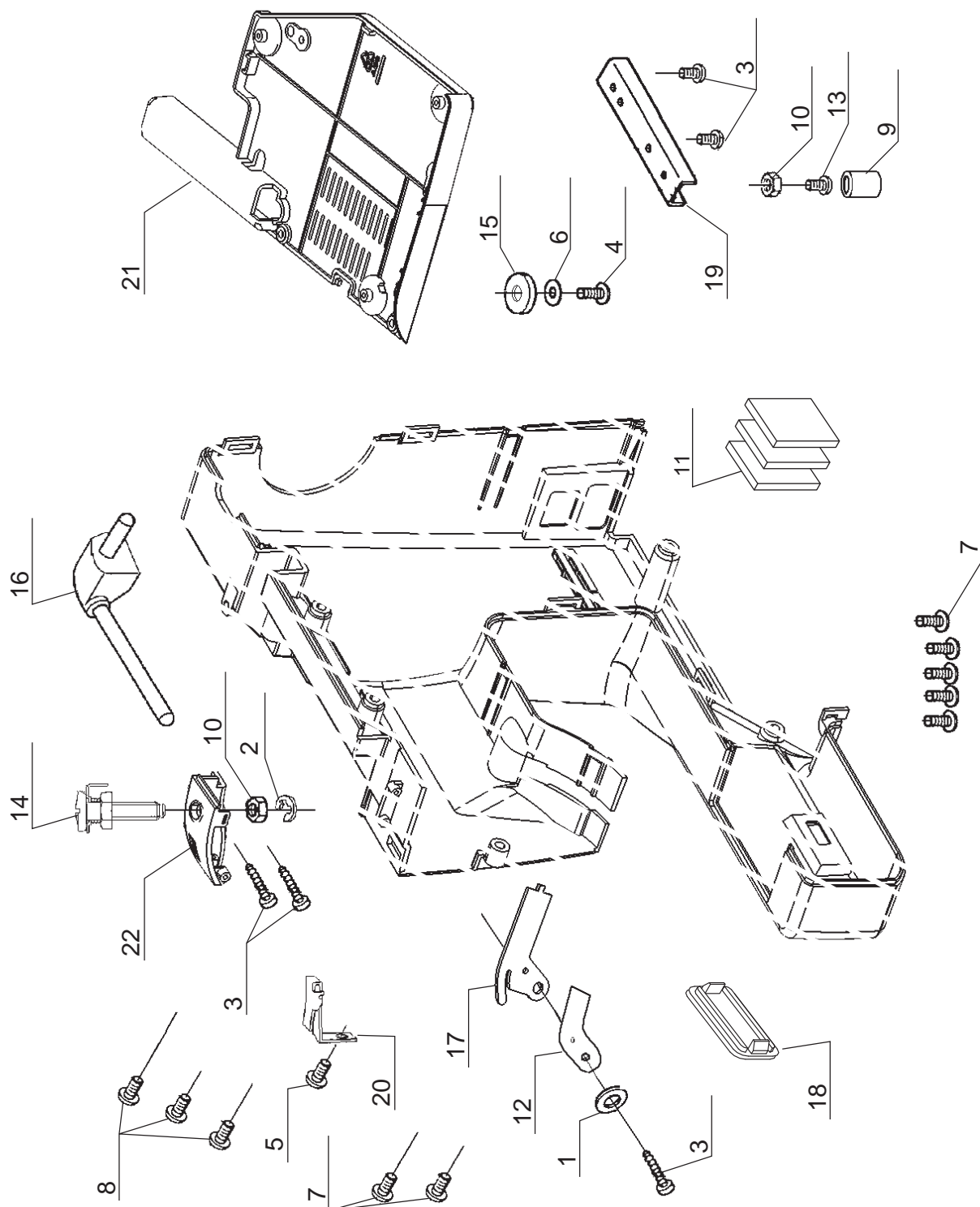
POS	PART NO.	DESCRIPTION
1	270 001520	E3 CLIP-ON-WASHER
2	270 039213	M3 SCREW
3	270 061222	M4 PHILIPS SCREW
4	270 061224	M4 PHILIPS SCREW
5	270 077041	UNITY FASTENER
6	270 077042	M4 PHILLIPS SCREW
7	270 077614	GEAR CLUTCH
8	416474101	MAIN MOTOR
9	270 085318	FERRITE RING
10		
11	416537801	5P CORD HARNESS
12	270 087085	PIN-JACK HARNESS
13	270 087237	MOTOR FAN
14	270 087257	BUSH
15	416821901	CP BOLT
16	270 087519	TRANSFORMER 240V
17	270 087541	SWITCH
18	270 087542	INSULATION SHEET
19	270 087553	CIRCUIT BOARD 240V
20	270 087575	INLET HARNESS
21	416563601	MAIN MOTOR BRACKET
22	416512401	DRIVING BELT
23	416563701	AC CIRCUIT BOARD BOX
24	416563801	SWITCH BRACKET



POS	PART NO.	DESCRIPTION
1	270 025670	WASHER
2	270 031246	WASHER
3	270 039213	M3 SCREW
4	416512101	CONTROL PANEL
5	270 061222	M4 PHILIPS SCREW
6	270 064360	TOOTHED WASHER
7	270 065736	M4 PHILIPS SCREW
8	270 074795	TAPPING SCREW
9	270 076440	BOBBIN WINDER LATCH
10	270 076511	SEAL
11	270 077042	M4 PHILIPS SCREW
12	270 077044	M3 PHILIPS SCREW
13	416563901	INSULATION SHEET
14	416458601	SEAL
15	416463901	LCD
16	416512301	CPU / SWITCH CIRCUIT BOARD
17	416564001	BRACKET
18	270 086918	CAP
19	416564701	SLIDE HARNESS
20	416564801	SWITCH HARNESS
21	270 087345	BLADE FIXTURE
22	416564101	FACE COVER BRACKET
23	270 087766	BLADE
24	416449601	SLIDE LEVER
25	416564201	BRUSH
26	416564301	BLADE FIXTURE
27	416512201	FACE COVER
28	416464001	PATTERN SWITCH
29	416564401	BUTTON
30	416564501	BUTTON
31	416564601	KNOB
32	416770801	BUTTON
33	68001476	FACE COVER (7285QONLY)
34	68001477	KNOB (7285QONLY)
35	68001479	BUTTON (7285QONLY)
36	68001480	BUTTON (7285QONLY)
37	68001481	BUTTON (7285QONLY)
38	416828101	PATTERN SWITCH (7285QONLY)
39	68001482	CONTROL PANEL (7285QONLY)

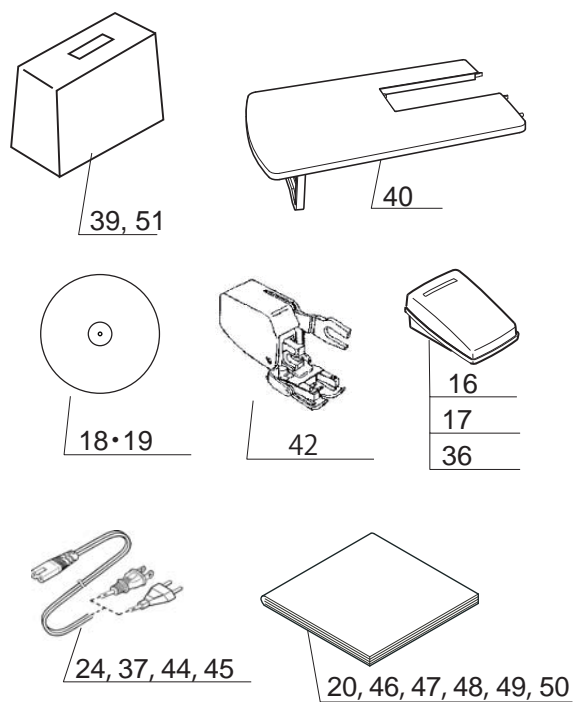
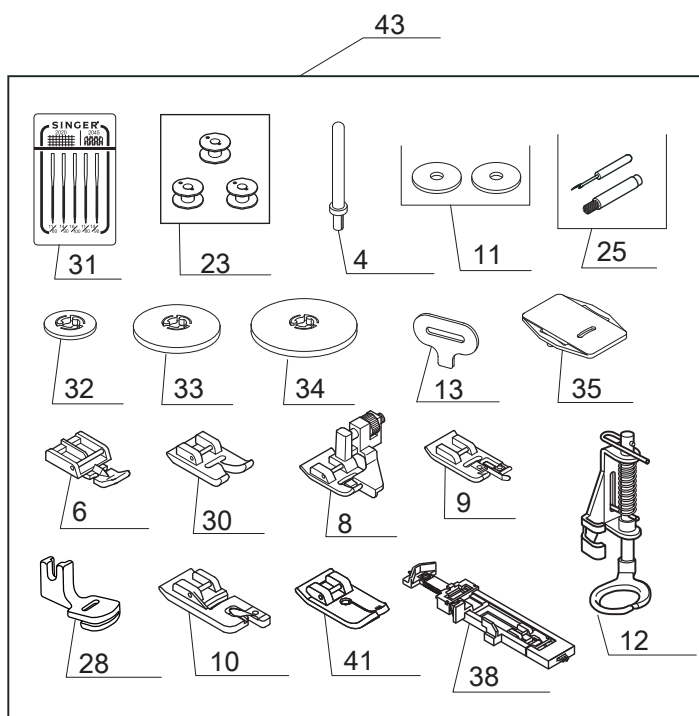
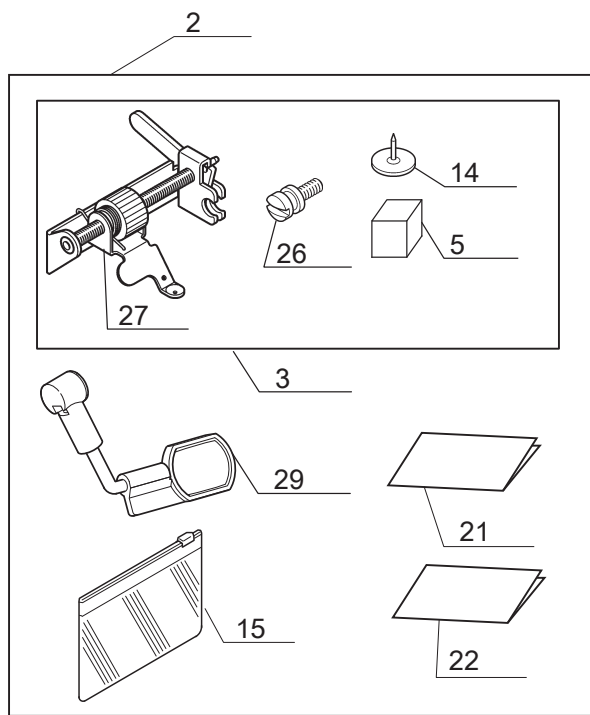
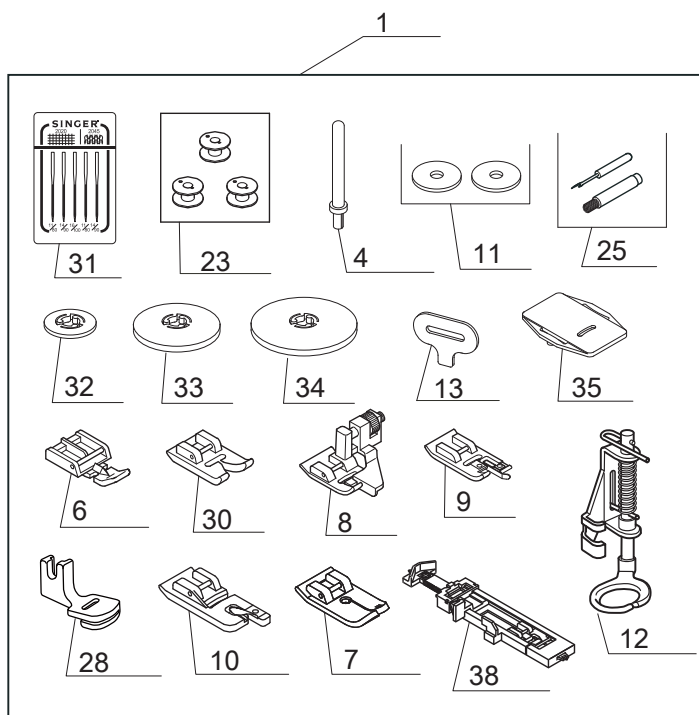
L

# M





POS	PART NO.	DESCRIPTION
1	270 004844	WASHER
2	270 027925	E2.5 CLIP-ON-WASHER
3	270 039213	M3 SCREW
4	270 044261	M4 SCREW
5	270 058981	TAPPING SCREW
6	270 059221	WASHER
7	270 061224	M4 PHILLIPS SCREW
8	270 064484	TAPPING SCREW
9	416509201	RUBBER FOOT
10	270 073299	M4 TORQUE NUT
11	270 076274	SPACER FOR CARRY CASE
12	270 077528	SPRING PLATE
13	270 086038	STUD SCREW
14	270 087250	M4 SPECIAL SCREW UNIT
15	416509301	RUBBER FOOT
16	270 087296	SPOOL PIN UNIT
17	270 087315	TENSION PLATE
18	270 087483	CAP
19	416770901	LEG
20	416771001	RETAINER
21	416771101	BOTTOM COVER
22	416771201	TENSION CAP



POS	PART NO.	DESCRIPTION
1	270 052035	ACCESSORY SET
2	270 052036	ACCESSORY SET
3	416565301	CIRCLE STITCH ATTACHEMENT SET
4	270 064083	SPOOL PIN
5	270 075293	SPACER
6	416465101	ZIPPER FOOT
7	270 076253	STRAIGHT STITCH FOOT
8	416437101	BLIND STITCH FOOT
9	270 076258	OVERCASTING FOOT
10	270 076259	ROLLED HEMMER
11	270 077040	SPOOL PIN DISC
12	270 077079	DARNING & EMBROIDERY FOOT
13	270 079455	LARGE SCREW DRIVER
14	270 080007	THUMB TACK
15	270 080120	ACCESSORY VINYL BAG
16	416436101	FOOT CONTROL (PIN-JACK TYPE)
17	416436101	FOOT CONTROL (PIN-JACK TYPE)
18	416556606	INSTRUCTION DVD (PRESSER FEET)
19	416531101	INSTRUCTION DVD
20	620 082242	INSTRUCTION BOOK (Eng/Fre/Spa)
21	416771301	INSTRUCTION SHEET (MAGNIFYING GLASS)
22	620 082247	INSTRUCTION SHEET (CIRCLE STITCH ATTACHEMENT)
23	270 085128	BOBBIN
24	416771401	POWER CORD (230V)
25	416436401	BUTTONHOLE OPENER / BRUSH
26	270 086606	SPECIAL PRESSER FOOT SCREW
27	270 086612	CIRCLE STITCH ATTACHEMENT
28	270 086626	GATHERING FOOT
29	270 086640	MAGNIFYING GLASS
30	416437201	SATIN FOOT
31	N353364000	NEEDLE SET
32	270 087287	SPOOL PIN CAP (MINI)
33	270 087289	SPOOL PIN CAP (SMALL)
34	270 087290	SPOOL PIN CAP (LARGE)
35	270 087294	DARNING PLATE
36	270 087532	FOOT CONTROL (PIN-JACK TYPE)
37	270 087534	POWER CORD (120V)
38	416465601	BUTTONHOLE FOOT
39	270 088218	VINYL COVER
40	270 088278	EXTENSION TABLE
41		STRAIGHT STITCH FOOT (7285QONLY)
42		EVEN FEED FOOT (7285QONLY)
43	68001473	ACCESSORY SET (7285QONLY)
44		POWER CORD (CHINA)
45		POWER CORD (BRAZIL)
46		INSTRUCTION BOOK (Eng/Chi)
47	471002460	INSTRUCTION BOOK (Portuguese)
48		INSTRUCTION BOOK (7285QONLY)
49		INSTRUCTION BOOK (Ita/Dut/Ger)
50	471002422	INSTRUCTION BOOK (Dan/Swe/Nor/Fin)
51		CANVAS COVER