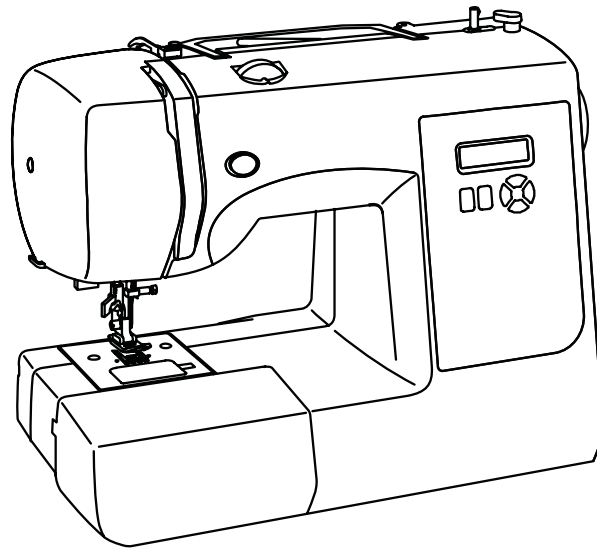




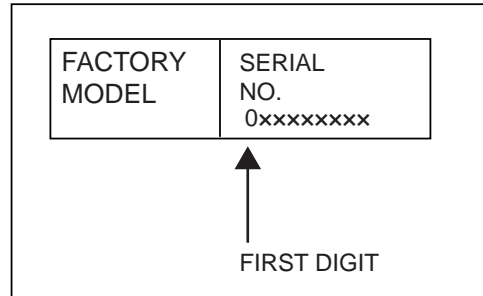
**SINGER** | Fashion Mate™

7256



Liste de pièces  
Lista de Piezas  
Parts List

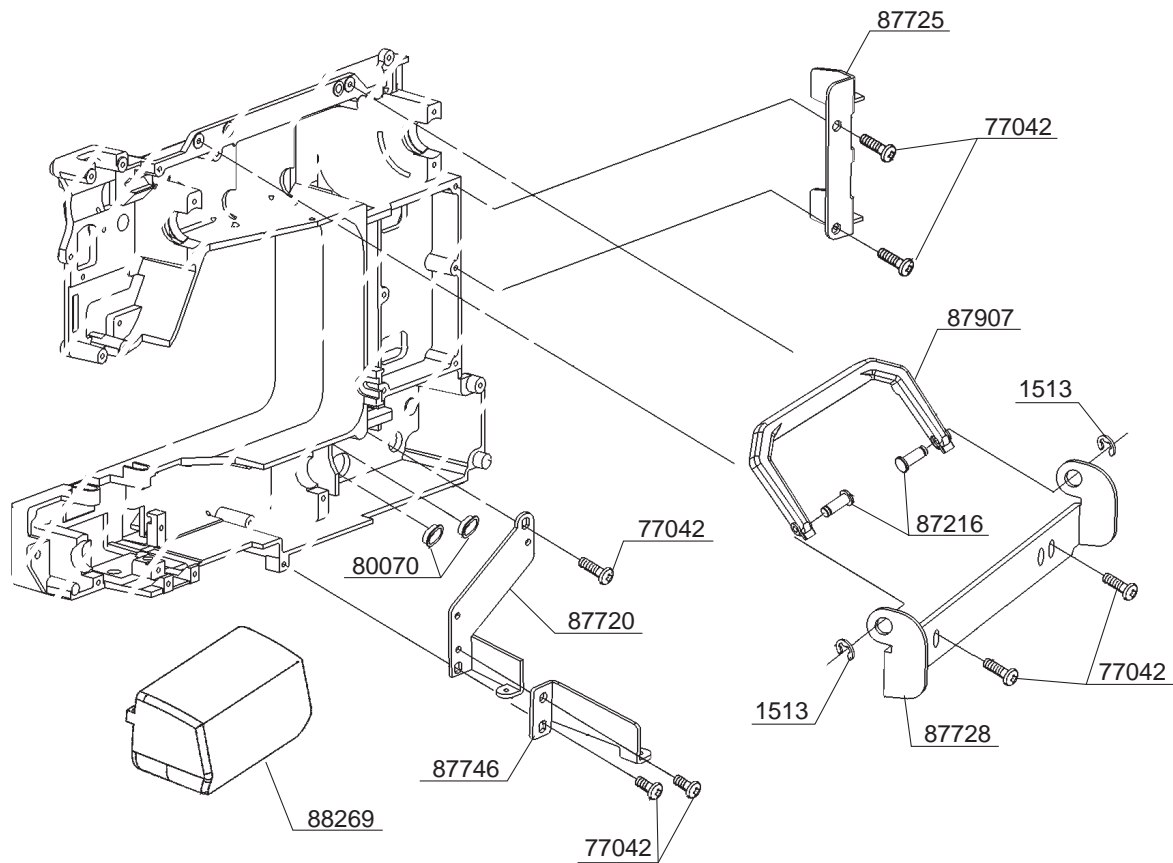
® A registered trademark of The Singer Company Ltd. or its affiliates.  
® *Una marca registrada de The Singer Company Ltd. o sus afiliados.*  
® *Une marca déposée de The Singer Company Ltd. ou ses filiales.*



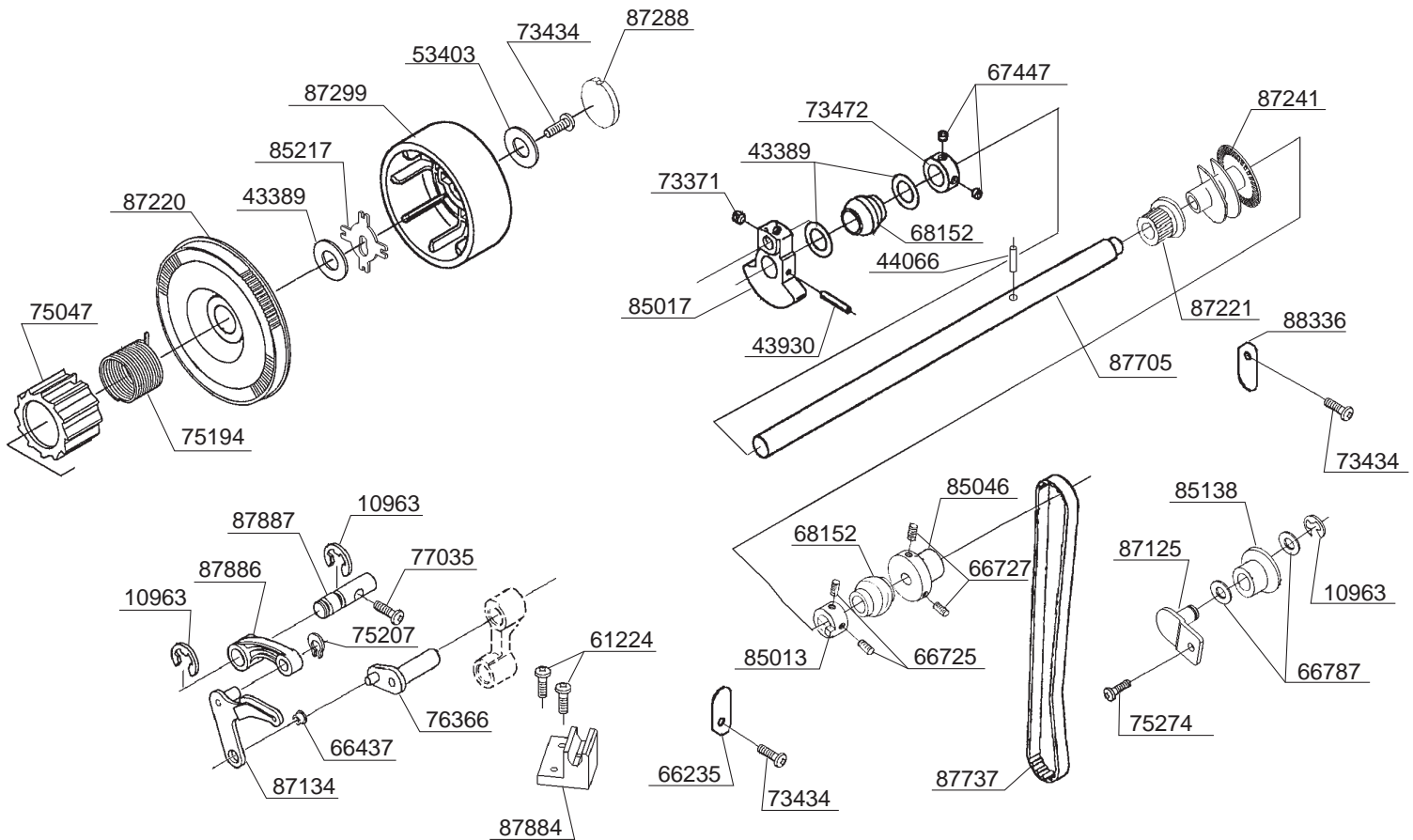
IMPORTANT:  
WHEN ORDERING THE PARTS ALWAYS CHECK THE SERIAL NUMBER OF THE MACHINE.

FIRST DIGIT OF THE SERIAL NUMBER MUST MATCH WITH THE LAST DIGIT OF THE FACTOR MODEL BELOW.

FACTORY MODEL CA35760

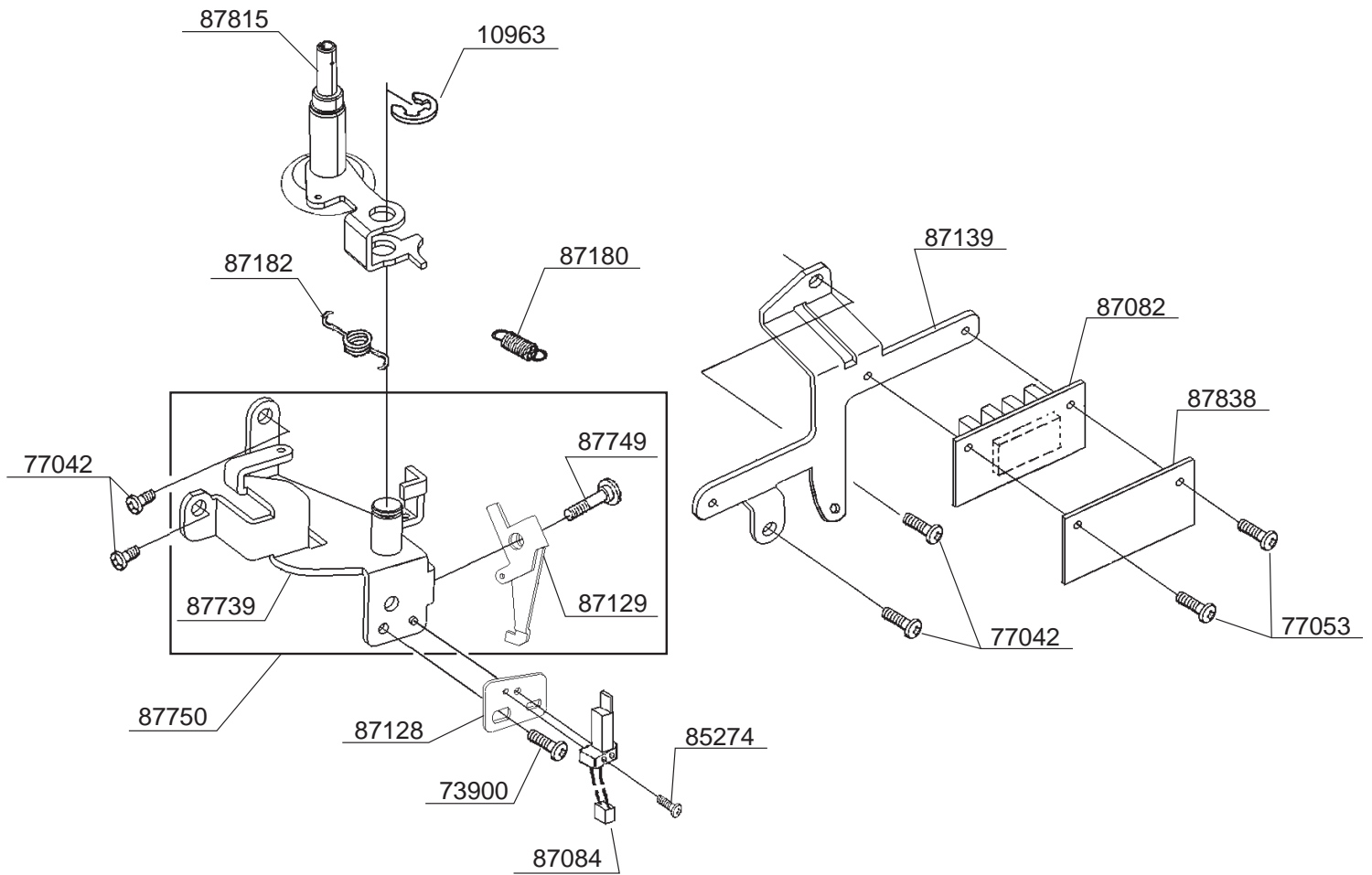


PART NO.	DESCRIPTION
1513	E4 CLIP-ON-WASHER
77042	M4 PHILIPS SCREW
80070	CORD GUIDE
87216	PIN
87720	BRACKET
87725	BRACKET
87728	HANDLE BRACKET
87746	BRACKET
87907	HANDLE
88269	ACC. BOX

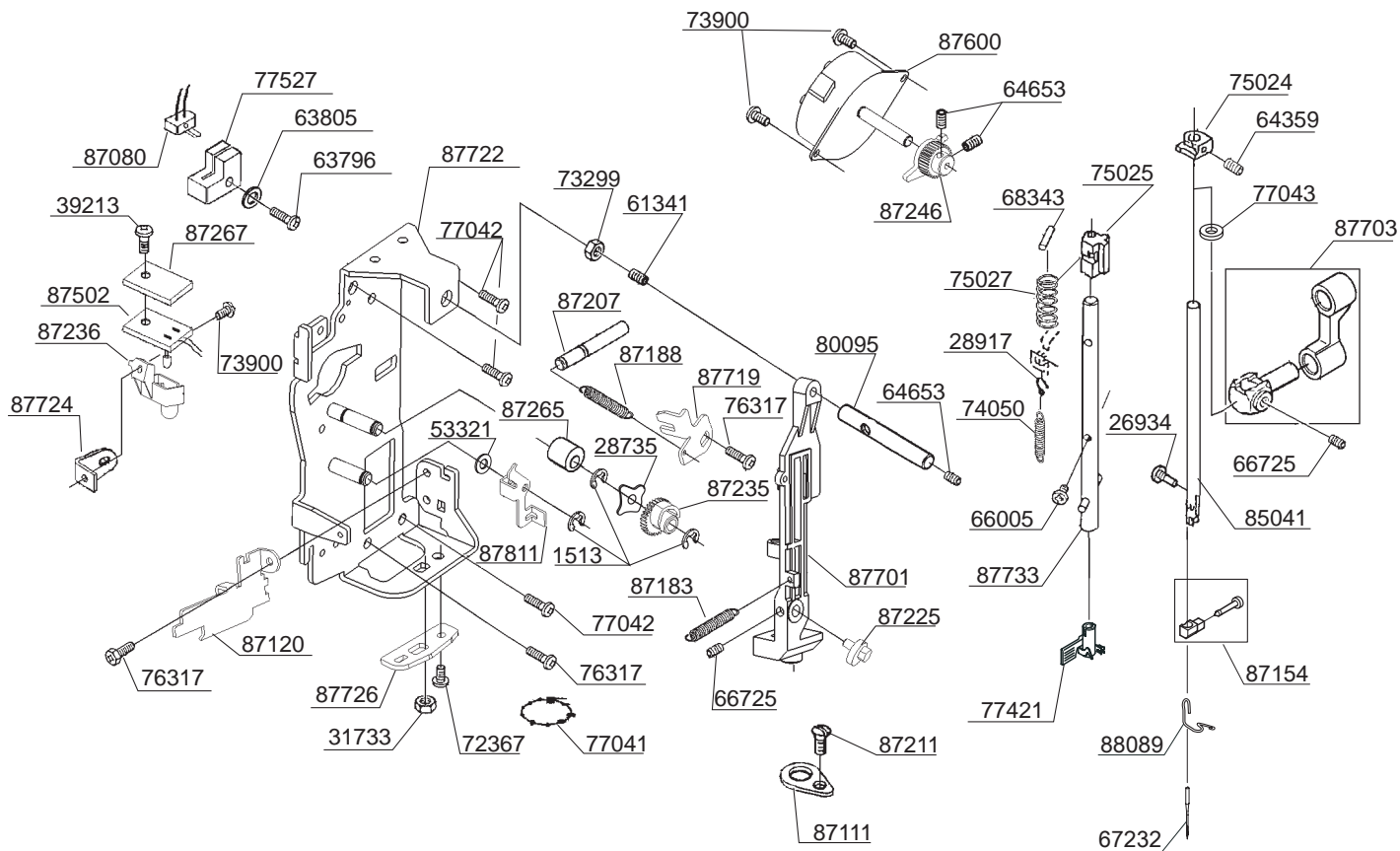


PART NO.	DESCRIPTION
10963	E6 CLIP-ON-WASHER
43389	THRUST WASHER
43930	SPRING PIN
44066	SPRING PIN
53403	WASHER
61224	M4 PHILIPS SCREW
66235	SECURING PLATE
66437	BUSH
66725	M4 SCREW
66727	M4 SCREW
66787	WASHER
67447	M5 SCREW
68152	BALL BUSH
73371	M6 SCREW
73434	M4 PHILIPS SCREW
73472	COLLAR
75047	CLUTCH
75194	TORSION SPRING
75207	CS-CLIP
75274	M4 PHILIPS SCREW
76366	CRANK SHAFT
77035	M4 PHILIPS SCREW
85013	POSITIONING COLLAR
85017	BALANCER
85138	TENSION ROLLER
85217	RETAINER
87125	IDLER PULLEY BRACKET
87134	TAKE-UP LEVER

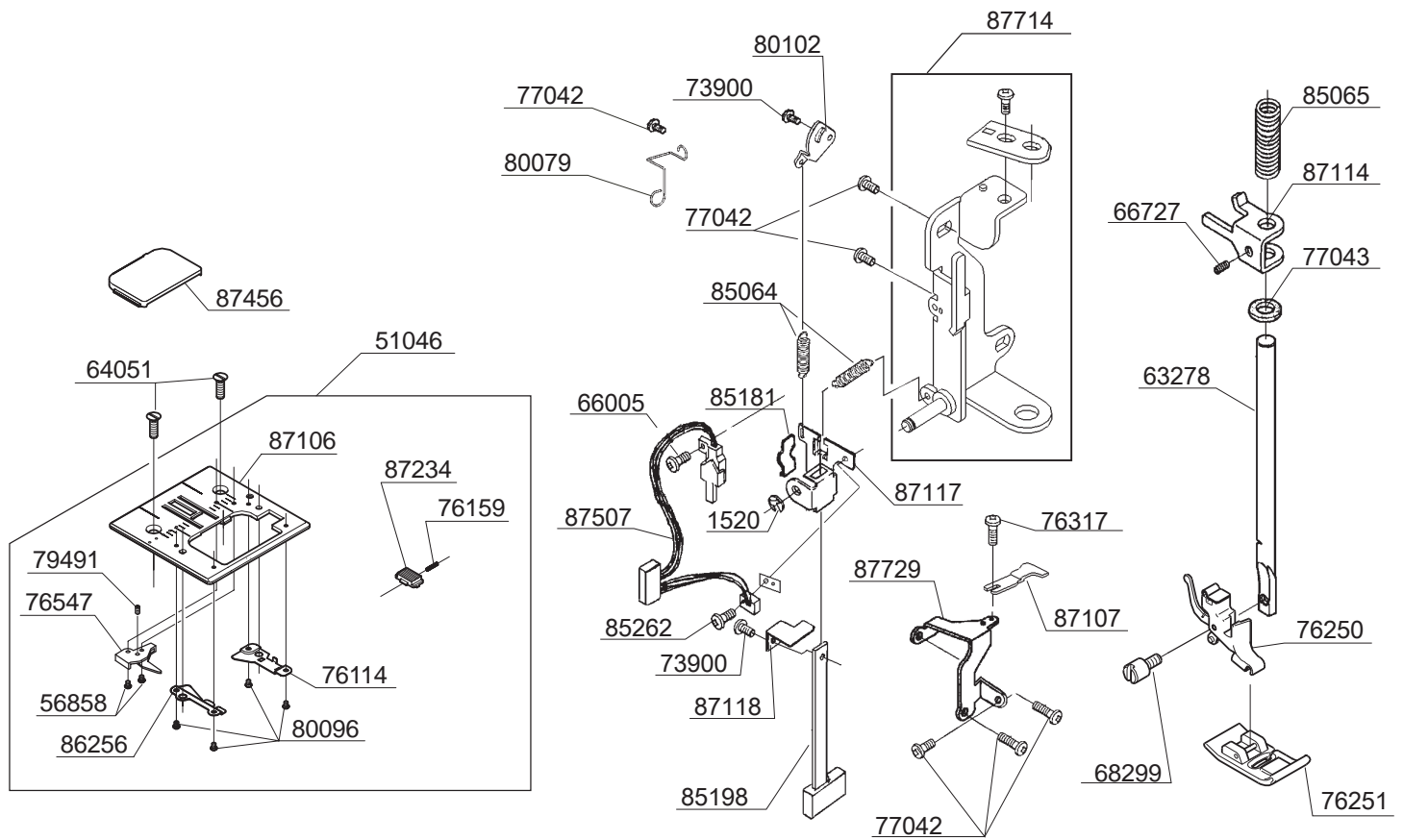
PART NO.	DESCRIPTION
87220	BELT PULLEY
87221	UPPER TIMING BELT GEAR
87241	ENCODER
87288	PULLEY CAP
87299	PULLEY
87705	MAIN SHAFT
87737	TIMING BELT
87884	TAKE-UP LEVER SHAFT BLOCK
87886	TAKE-UP LEVER CRANK
87887	SHAFT
88336	SECURING PLATE



PART NO.	DESCRIPTION
10963	E6 CLIP-ON-WASHER
73900	M3 PHILIPS SCREW
77042	M4 PHILIPS SCREW
77053	M3 PHILIPS SCREW
85274	M2 SCREW
87082	PHOTO SENSOR CIRCUIT BOARD
87084	SWITCH HARNESS
87128	MOUNTING BRACKET
87129	RETAINER
87139	MOUNTING BRACKET
87180	EXTENSION SPRING
87182	TORSION SPRING
87739	BOBBIN WINDER BRACKET
87749	M3 SHOULDER SCREW
87750	BOBBIN WINDER BRACKET UNIT
87815	BOBBIN WINDER UNIT
87838	INSULATION SHEET
85189	TENSION ROLLER PLA

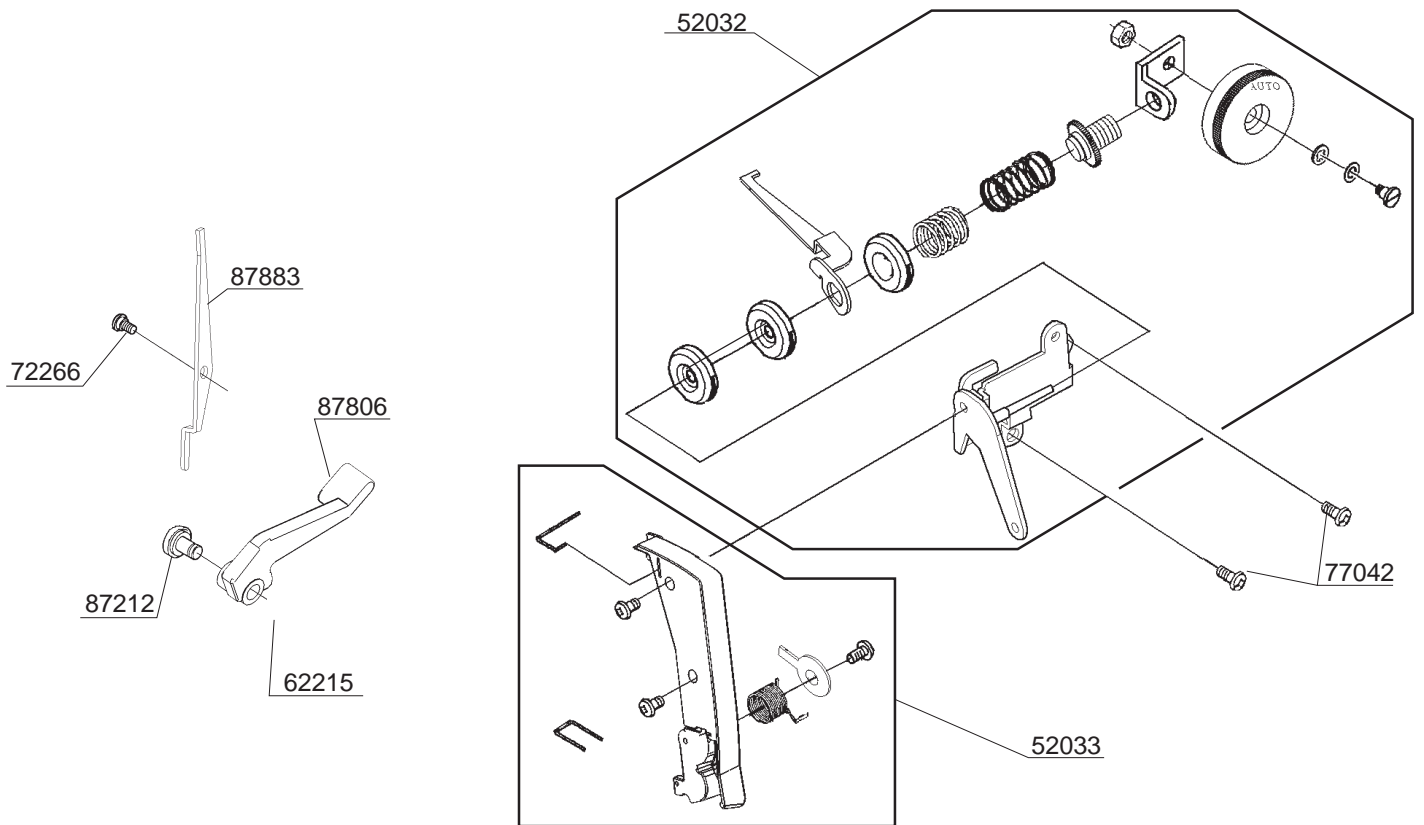


PART NO.	DESCRIPTION	PART NO.	DESCRIPTION
1513	E4 CLIP-ON-WASHER	80095	STRAIGHT PIN
26934	#8 SCREW	85041	NEEDLE BAR
28917	HOOK FOR SPRING	87080	SWITCH HARNESS FOR ZIGZAG
31733	M3 NUT	87111	NEEDLE BAR SWING BRACKET
39213	M3 SCREW	87120	THREAD GUIDE PLATE
53321	THRUST WASHER	87154	NEEDLE CLAMP SET
61341	M4 SCREW	87183	SPRING
63796	M3 SCREW	87188	SPRING
63805	WASHER	87207	STRAIGHT PIN
64359	M4 SCREW	87211	M3 SCREW
64653	M3 SCREW	87225	ECCENTRIC CAM
66005	M2 PHILLIPS SCREW	87235	ZIGZAG CAM WITH GEAR
66725	M4 SCREW	87236	LED LIGHT COVER
67232	NEEDLE	87246	PINION GEAR
68343	PIN	87265	SPACER
72367	M4 CP SCREW	87267	INSULATION SHEET
73299	M4 TORQUE NUT	87502	LED LIGHT CIRCUIT BOARD
73900	M3 PHILLIPS SCREW	87600	STEPPING MOTOR
74050	EXTENSION SPRING	87701	NEEDLE BAR SUPPORT
75024	STOPPER	87703	NEEDLE BAR CRANK SET
75025	GUIDE BLOCK	87719	SECURING PLATE
75027	COMPRESSION SPRING	87722	NEEDLE BAR SUPPORT BRACKET
76317	M3 PHILIPS SCREW	87724	L-R LIMITER
77041	UNITY FASTENER	87726	NEEDLE BAR ADJUSTING PLATE
77042	M4 PHILIPS SCREW	87733	THREADER SHAFT SET
77043	FELT	87811	BELL CLANK FOR ZIGZAG
77421	THREADER ASSEMBLY	88089	THREAD GUIDE
77527	SENSOR COVER		



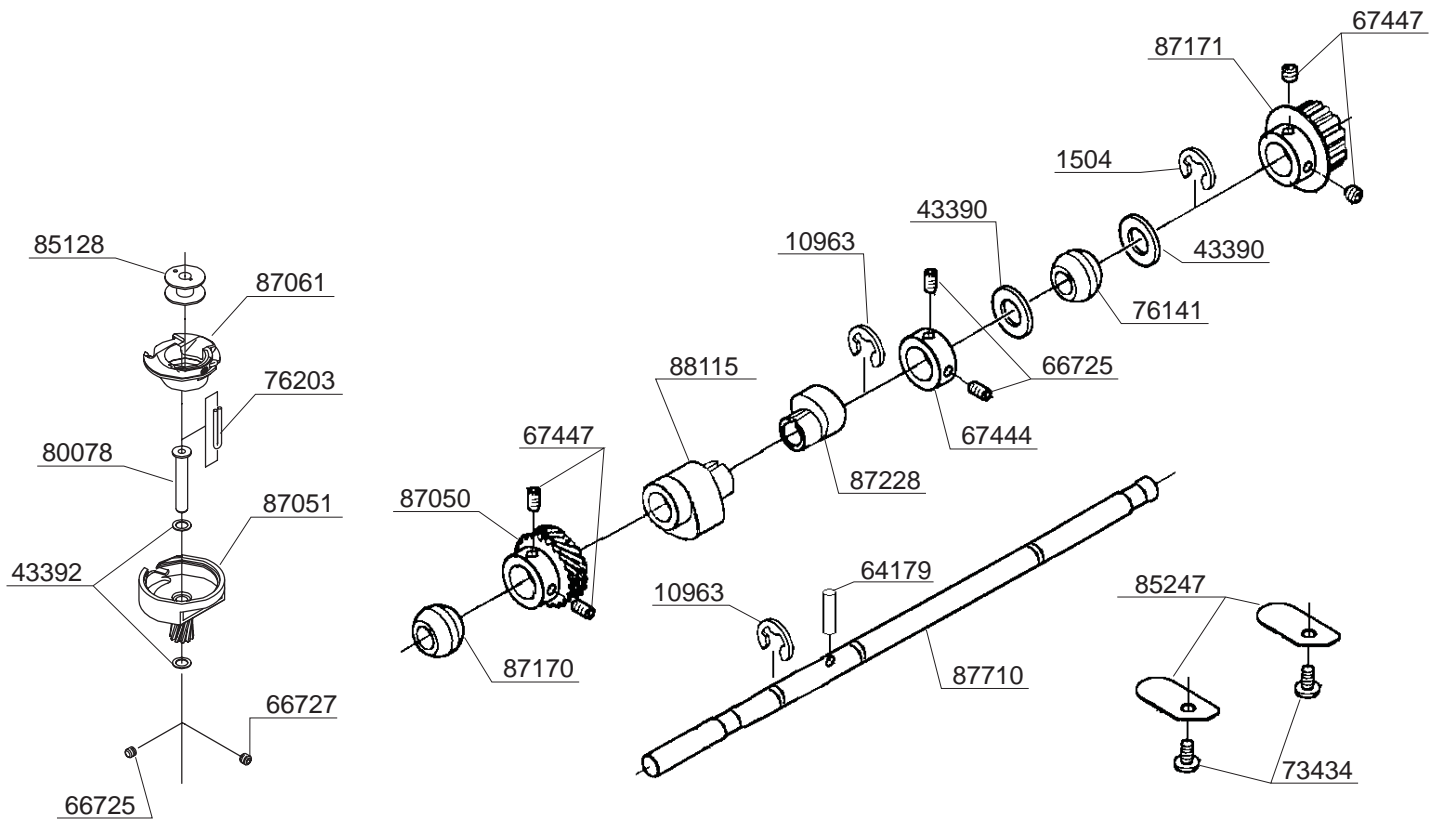
PART NO.	DESCRIPTION
1520	E3 CLIP-ON-WASHER
51046	NEEDLE PLATE SET
56858	M2 PHILIPS SCREW
63278	PRESSER BAR
64051	M4 SCREW
66005	M2 PHILIPS SCREW
66727	M4 SCREW
68299	#7 SCREW FOR SHANK
73900	M3 PHILIPS SCREW
76114	COVER GUIDE (R)
76159	COMPRESSION LEVER
76250	PRESSER FOOT HOLDER
76251	ZIGZAG PRESSER FOOT
76317	M3 PHILIPS SCREW
76547	THREAD CONTROL PLATE
77042	M4 PHILIPS SCREW
77043	FELT
79491	SCREW
80079	CORD GUIDE
80096	M2 PHILIPS SCREW
80102	CONTROL PLATE
85064	EXTENSION SPRING
85065	COMPRESSION SPRING
85181	LEAF SPRING
85198	BH PLATE (A)
85262	M2 SCREW
86256	COVER GUIDE (L)
87106	NEEDLE PLATE

PART NO.	DESCRIPTION
87107	BOBBIN CASE STOPPER
87114	PRESSURE BAR GUIDE
87117	BH PLATE (B)
87118	BH PLATE (C )
87234	RELEASE LEVER
87456	NEEDLE COVER PLATE
87507	BH SWITCH HARNESS
87714	PRESSURE BAR BRACKET SET
87729	BRACKET

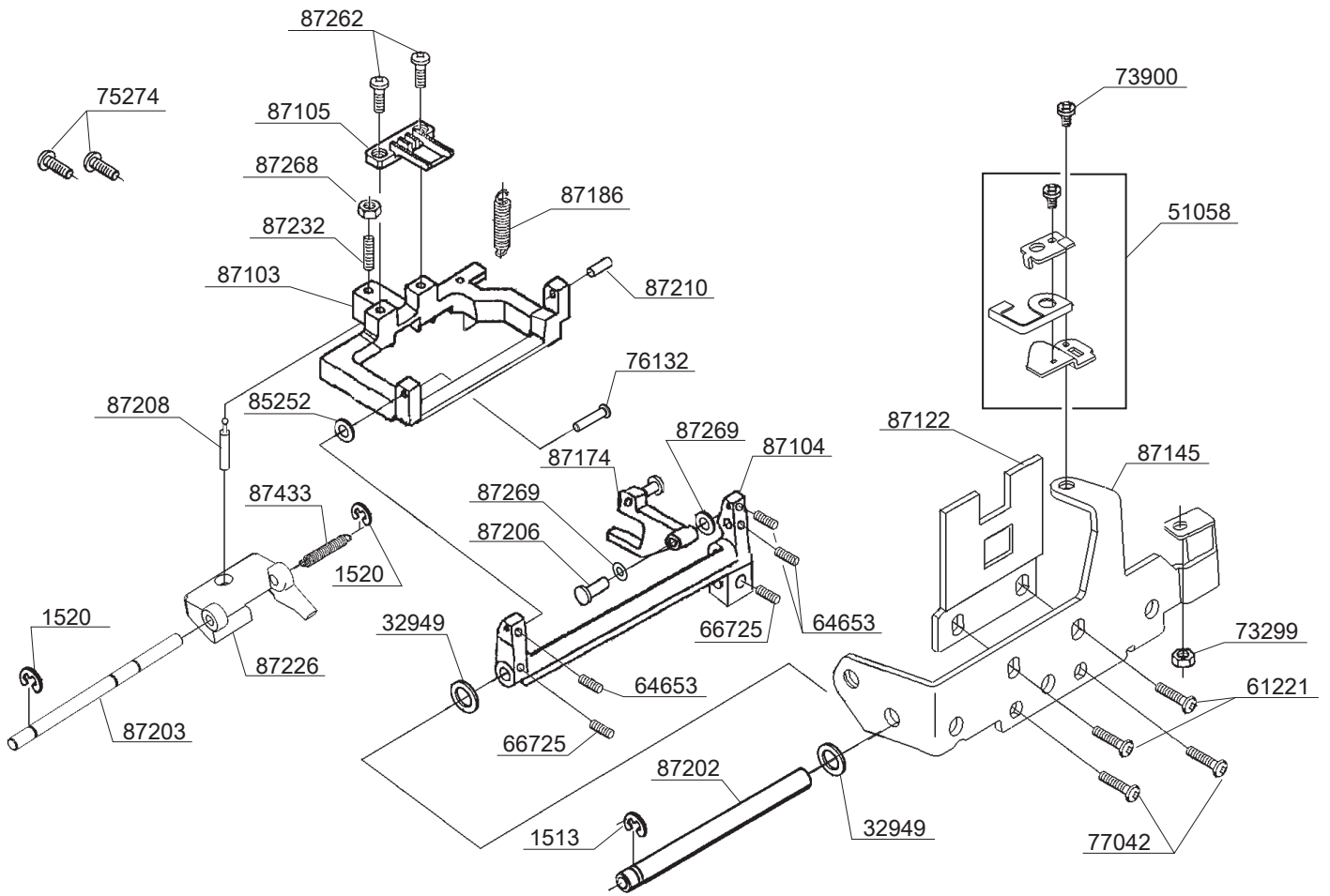


PART NO.	DESCRIPTION
52032	TENSION ASSY
52033	THREAD GUIDE PLATE ASSY
62215	M4 NUT
72266	M4 STUD SCREW
77042	M4 PHILLIPS SCREW
87212	M4 SCREW
87806	PRESSURE BAR LIFTER
87883	TENSION RELEASE LEVER

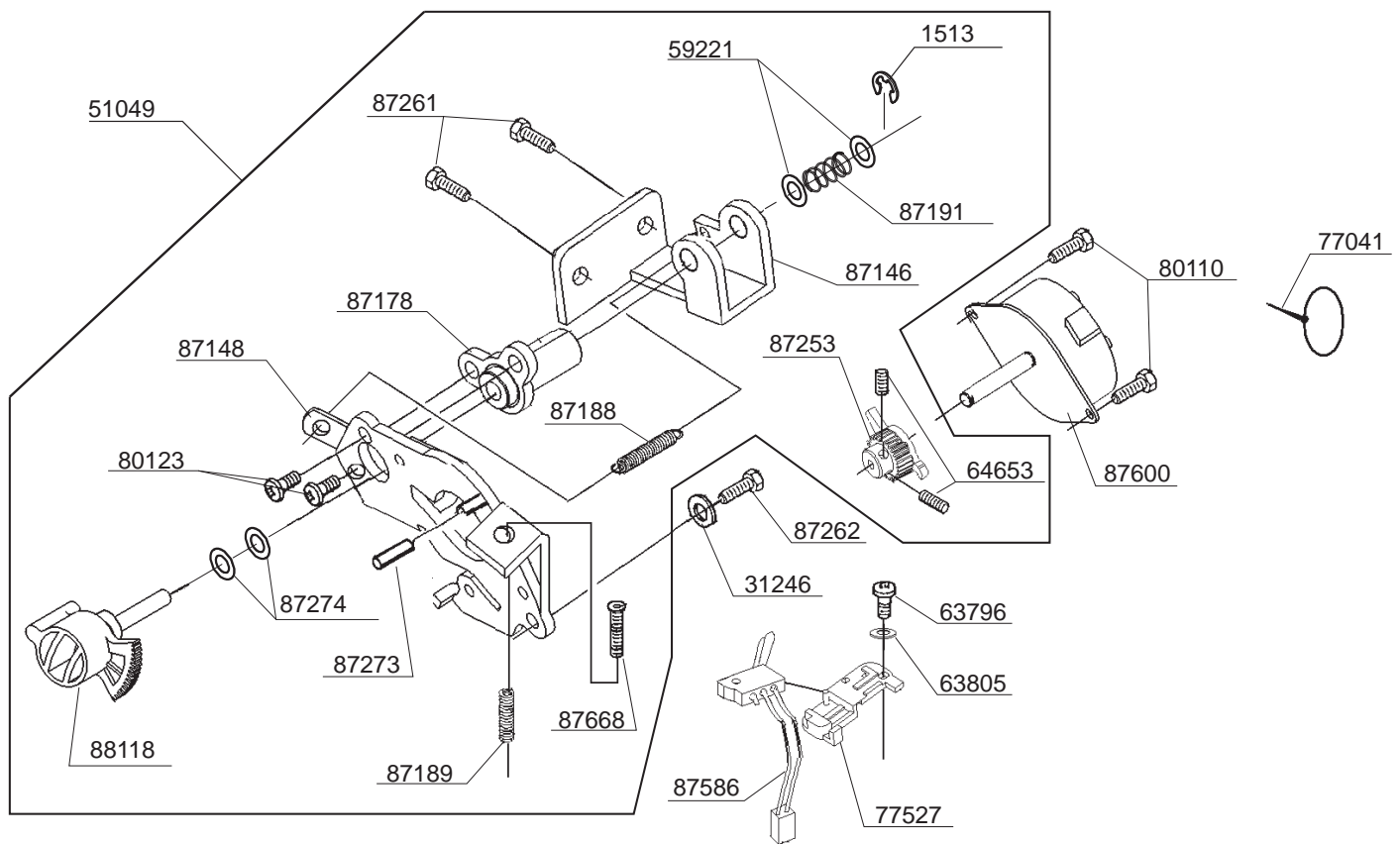




PART NO.	DESCRIPTION
1504	E6 CLIP-ON-WASHER
10963	E6 CLIP-ON-WASHER
43390	THRUST WASHER
43392	THRUST WASHER
64179	SPRING PIN
66725	M4 SCREW
66727	M4 SCREW
67444	COLLAR
67447	M5 SCREW
73434	M4 PHILIPS SCREW
76141	BALL METAL
76203	OILING CORD
80078	SHUTTLE RACE SHAFT
85128	BOBBIN
85247	SECURING PLATE
87061	BOBBIN CASE
87050	BEVEL GEAR
87051	SHUTTLE RACE
87170	BALL METAL
87171	TIMING BELT GEAR (LOWER)
87228	FEED CAM
87710	LOWER STRAIGHT SHAFT
88115	LIFTING CAM

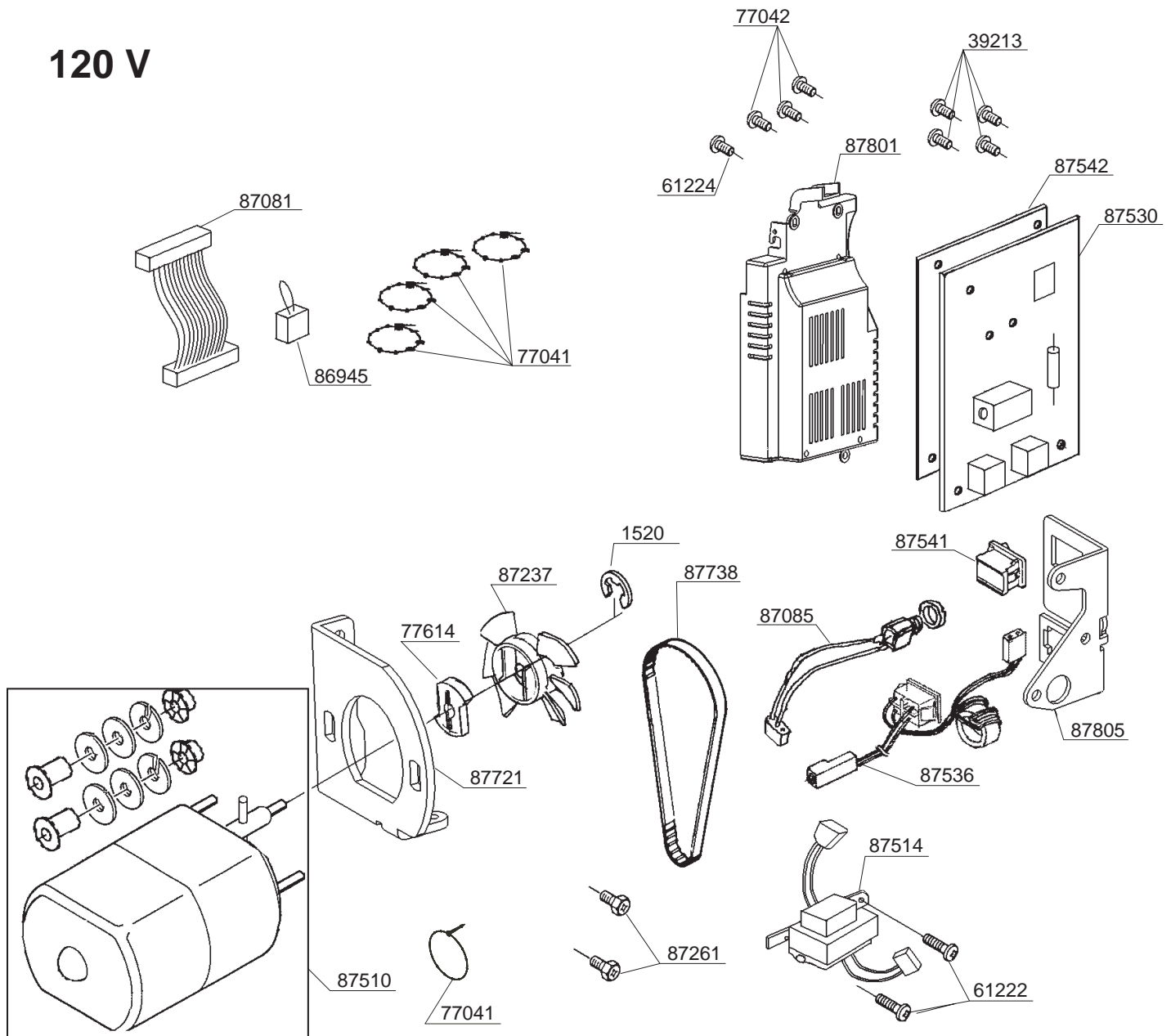


PART NO.	DESCRIPTION	PART NO.	DESCRIPTION
1513	E4 CLIP-ON-WASHER	87268	M6 NUT
1520	E3 CLIP-ON-WASHER	87269	WASHER
32949	WASHER	87433	TORSION SPRING
51058	RETAINER SET		
61221	M4 PHILIPS SCREW		
64653	M3 SCREW		
66725	M4 SCREW		
73299	M4 TORQUE NUT		
73900	M3 PHILIPS SCREW		
75274	M4 PHILIPS SCREW		
76132	SHAFT		
77042	M4 PHILIPS SCREW		
85252	WASHER		
87103	FEED DOG BASE		
87104	FEED DOG BASE SUPPORT		
87105	FEED DOG		
87122	SUPPORT PLATE		
87145	SECURING BRACKET		
87174	FORKED CRANK		
87186	TORSION SPRING		
87202	SHAFT		
87203	SHAFT		
87206	PIN		
87208	BALL HEADED PIN		
87210	PIN		
87226	VERTICAL FEED BLOCK		
87232	M6 STUD SCREW		
87262	M3 CP SCREW		



PART NO.	DESCRIPTION
1513	E4 CLIP-ON-WASHER
31246	WASHER
51049	FEED REGULATOR UNIT
59221	WASHER
63796	M3 SCREW
63805	WASHER
64653	M3 SCREW
77041	UNITY FASTENER
77527	SENSOR COVER
80110	M3 PHILIPS SCREW
80123	M3 PHILIPS SCREW
87146	BRACKET
87148	STEPPING MOTOR BRACKET
87178	FEED REGULATOR SHAFT METAL BUSH
87188	EXTENSION SPRING
87189	COMPRESSION SPRING
87191	COMPRESSION SPRING
87253	PINION GEAR
87261	CP BOLT
87262	M3 CP SCREW
87273	PIN
87274	WASHER
87586	SWITCH HARNESS
87600	STEPPING MOTOR
87668	M4 BOLT
88118	FEED REGULATOR

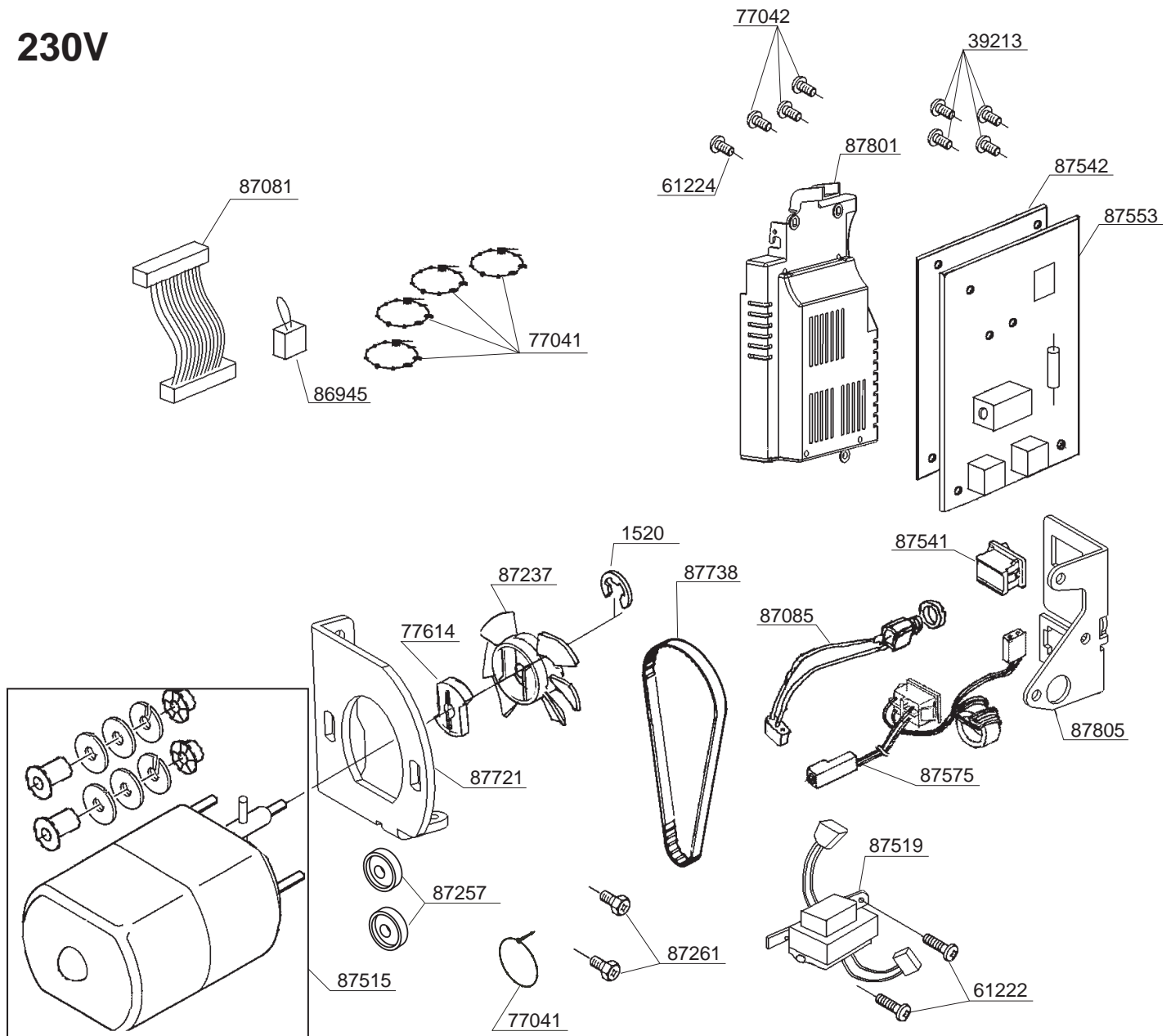
# 120 V



PART NO.	DESCRIPTION
1520	E3 CLIP-ON-WASHER
39213	M3 SCREW
61222	M4 PHILIPS SCREW
61224	M4 PHILIPS SCREW
77041	UNITY FASTENER
77042	M4 PHILLIPS SCREW
77614	GEAR CLUTCH
86945	JUMPER HARNESS
87081	5P CORD HARNESS
87085	PIN-JACK HARNESS
87237	MOTOR FAN
87261	CP BOLT
87510	MAIN MOTOR
87514	TRANSFORMER
87530	CIRCUIT BOARD
87536	INLET HARNESS
87541	SWITCH
87542	INSULATION SHEET

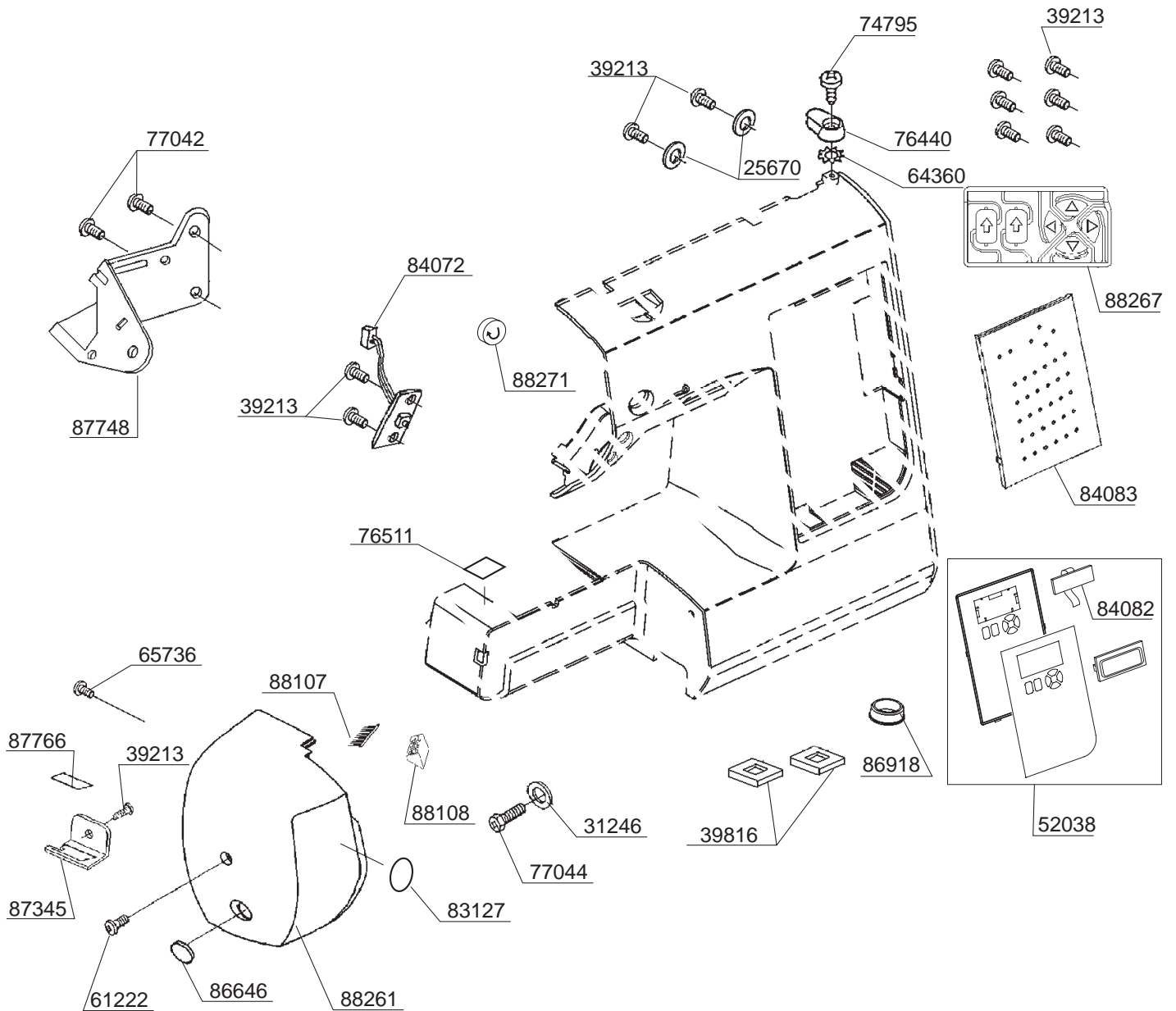
PART NO.	DESCRIPTION
87721	MAIN MOTOR BRACKET
87738	DRIVING BELT
87801	AC CIRCUIT BOARD BOX
87805	SWITCH BRACKET

# 230V

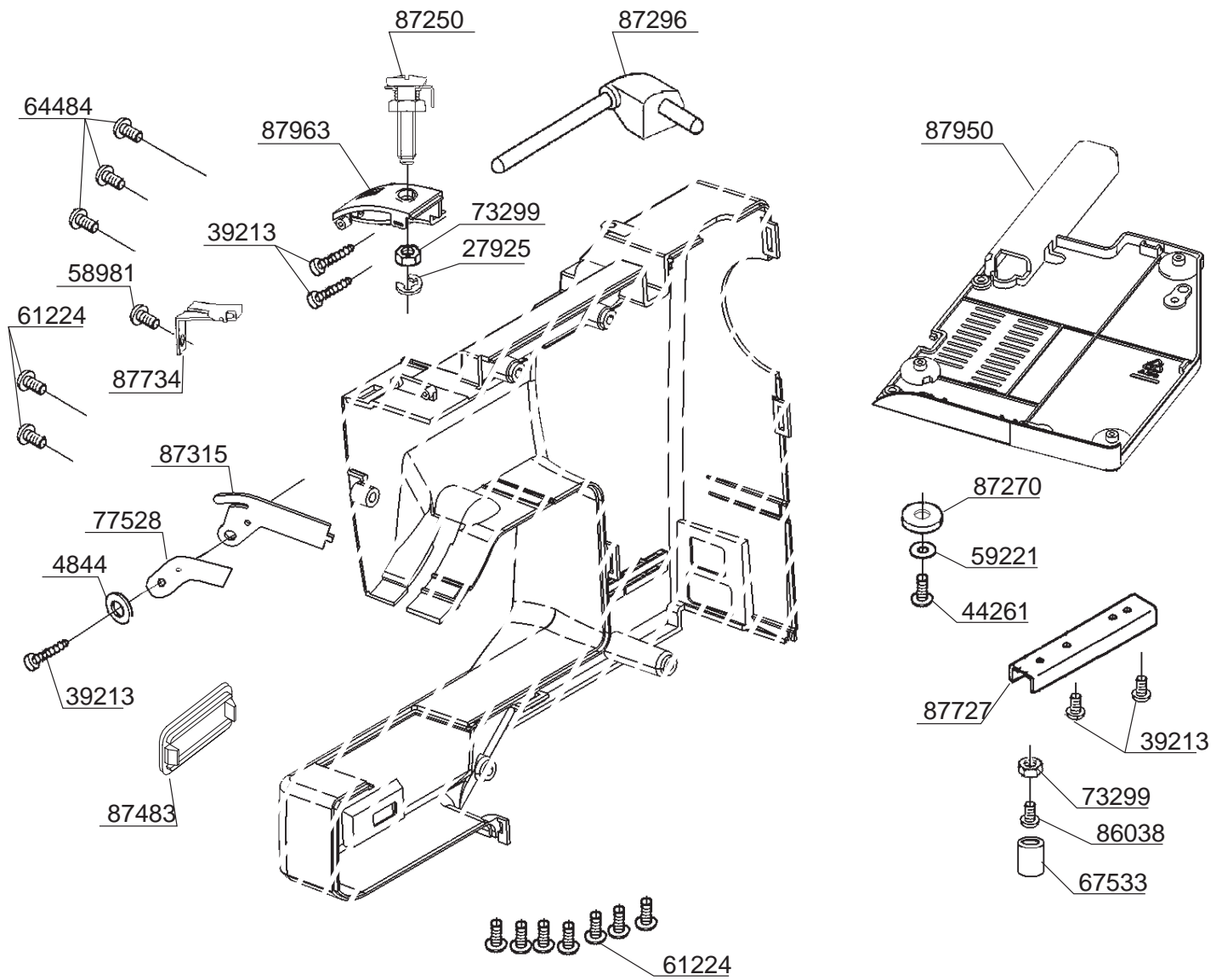


PART NO.	DESCRIPTION
1520	E3 CLIP-ON-WASHER
61222	M4 PHILIPS SCREW
61224	M4 PHILIPS SCREW
39213	M3 SCREW
77041	UNITY FASTENER
77042	M4 PHILLIPS SCREW
77614	GEAR CLUTCH
86945	JUMPER HARNESS
87081	5P CORD HARNESS
87085	PIN-JACK HARNESS
87237	MOTOR FAN
87257	BUSH
87261	CP BOLT
87515	MAIN MOTOR
87519	TRANSFORMER
87541	SWITCH
87542	INSULATION SHEET
87553	CIRCUIT BOARD
87575	INLET HARNESS

PART NO.	DESCRIPTION
87721	MAIN MOTOR BRACKET
87738	DRIVING BELT
87801	AC CIRCUIT BOARD BOX
87805	SWITCH BRACKET



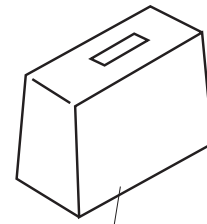
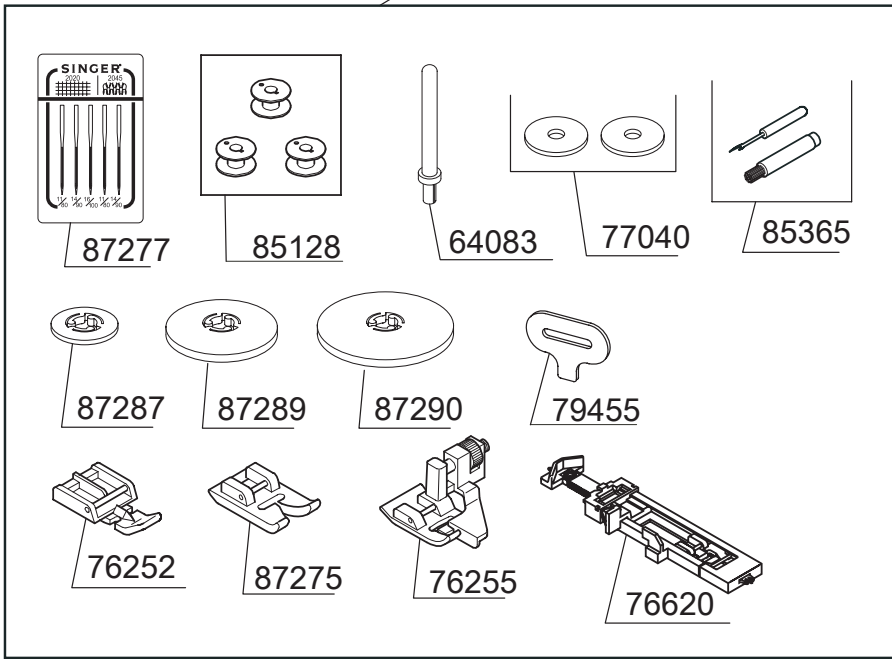
PART NO.	DESCRIPTION	PART NO.	DESCRIPTION
25670	WASHER	87345	BLADE FIXTURE
31246	WASHER	87748	FACE COVER BRACKET
39213	M3 SCREW	87766	BLADE
39816	M4 SQUARE NUT	88107	BRUSH
52038	CONTROL PANEL	88108	BLADE FIXTURE
61222	M4 PHILIPS SCREW	88261	FACE COVER
64360	TOOTHED WASHER	88267	PATTERN SWITCH
65736	M4 PHILIPS SCREW	88271	BUTTON
74795	TAPPING SCREW		
76440	BOBBIN WINDER LATCH		
76511	SEAL		
77042	M4 PHILIPS SCREW		
77044	M3 PHILIPS SCREW		
83127	SEAL		
84072	SWITCH HARNESS		
84082	LCD		
84083	CPU / SWITCH CIRCUIT BOARD		
86646	BRACKET		
86918	CAP		



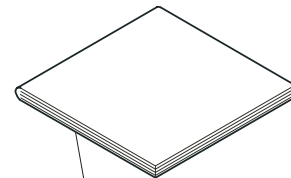
PART NO.	DESCRIPTION
4844	WASHER
27925	E2.5 CLIP-ON-WASHER
39213	M3 SCREW
44261	M4 SCREW
58981	TAPPING SCREW
59221	WASHER
61224	M4 PHILLIPS SCREW
64484	TAPPING SCREW
67533	RUBBER FOOT
73299	M4 TORQUE NUT
77528	SPRING PLATE
86038	STUD SCREW
87250	M4 SPECIAL SCREW UNIT
87270	RUBBER FOOT
87296	SPOOL PIN UNIT
87315	TENSION PLATE
87483	CAP
87727	LEG
87734	RETAINER

PART NO.	DESCRIPTION
87950	BOTTOM COVER
87963	TENSION CAP

51039



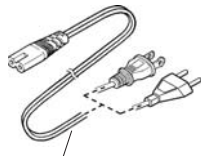
88218



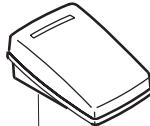
INSTRUCTION BOOK



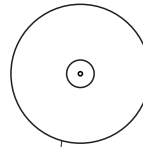
87294



87534 (120V)  
85339 (230V)



87532



82236

PART NO.	DESCRIPTION
51039	ACCESSORY SET
64083	SPOOL PIN
76252	ZIPPER FOOT
76255	BLIND STITCH FOOT
76620	BUTTONHOLE FOOT
77040	SPOOL PIN DISC
79455	LARGE SCREW DRIVER
82235	INSTRUCTION BOOK (Eng/Fre/Spa)
82236	INSTRUCTION DVD
85128	BOBBIN
85339	POWER CORD (230V)
85365	BUTTONHOLE OPENER / BRUSH
87275	SATIN FOOT
87277	NEEDLE SET
87287	SPOOL PIN CAP (MINI)
87289	SPOOL PIN CAP (SMALL)
87290	SPOOL PIN CAP (LARGE)
87294	DARNING PLATE
87532	FOOT CONTROL (PIN-JACK TYPE)
87534	POWER CORD (120V)
88218	VINYL COVER