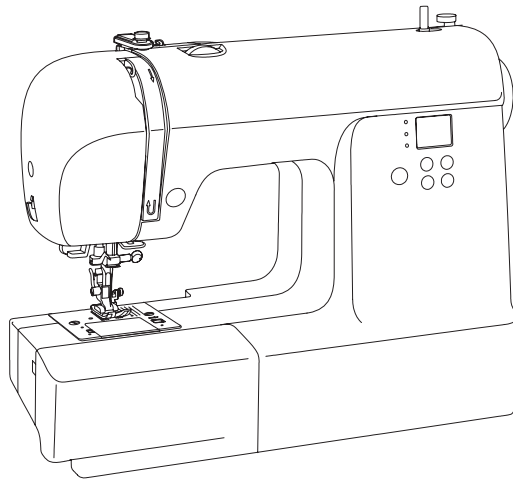




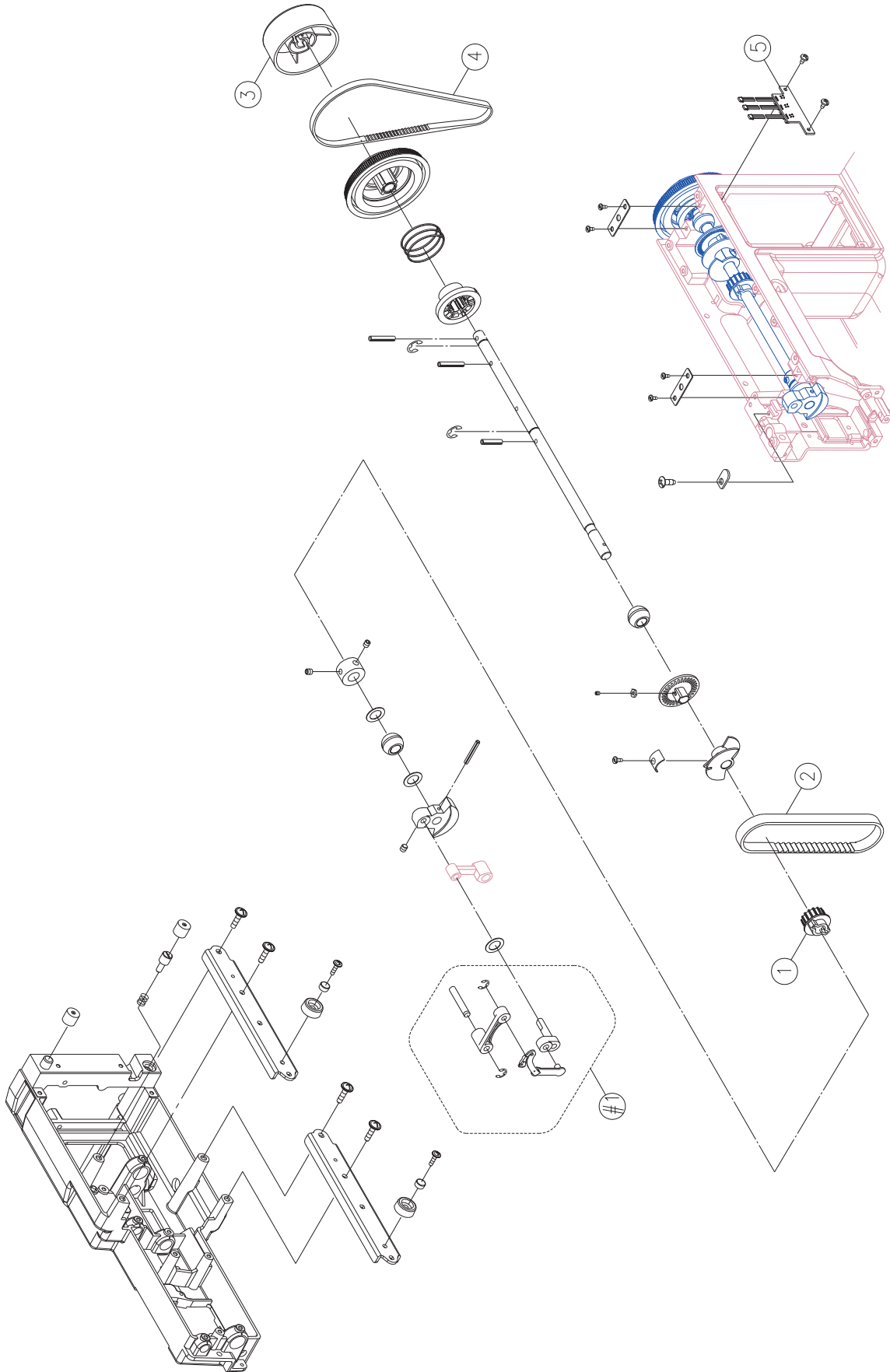
7140



Liste de pièces  
Lista de Piezas  
Parts List

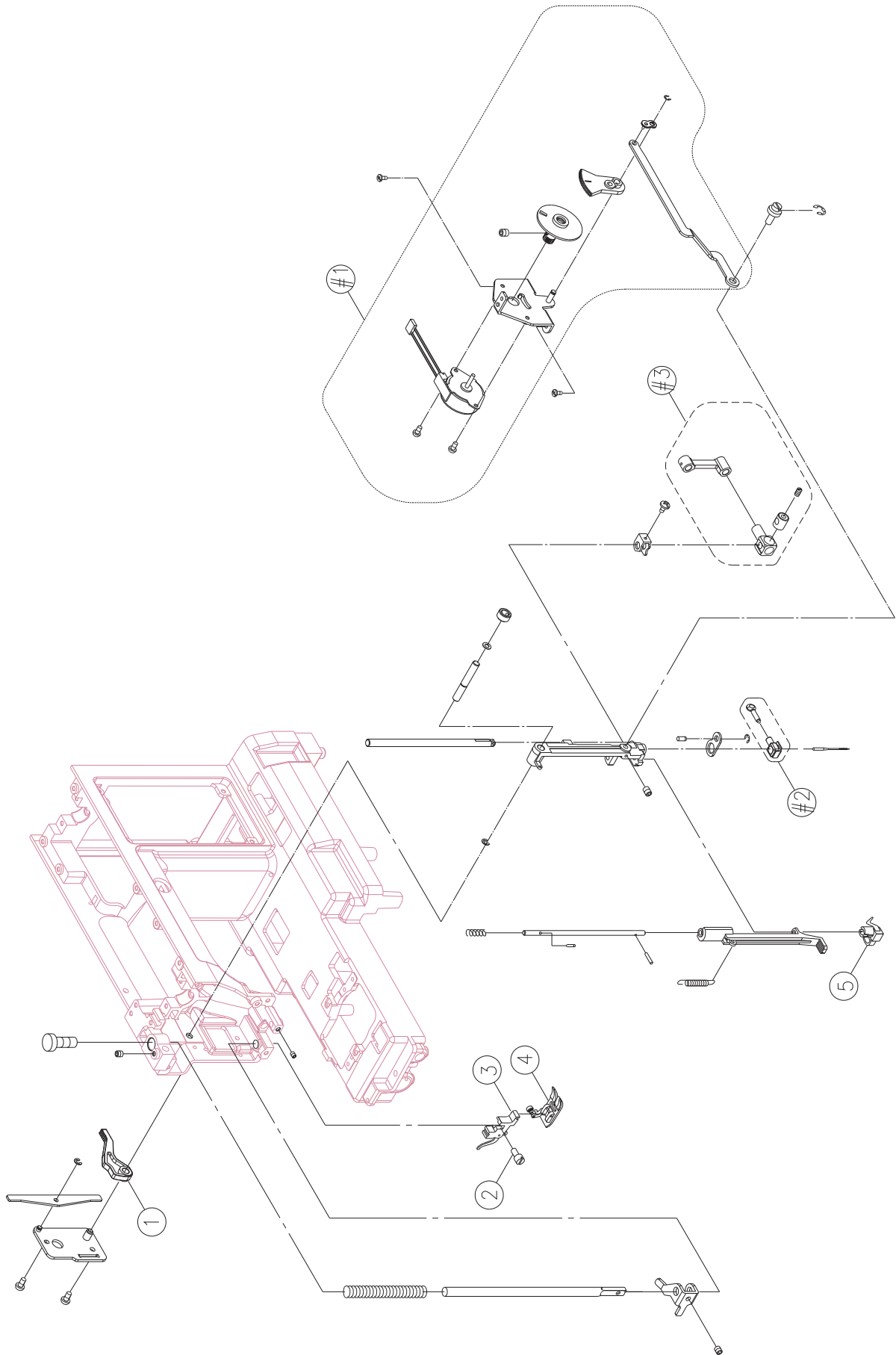
® A registered trademark of The Singer Company Ltd. or its affiliates.  
® *Una marca registrada de The Singer Company Ltd. o sus afiliados.*  
® *Une marca déposée de The Singer Company Ltd. ou ses filiales.*

# A



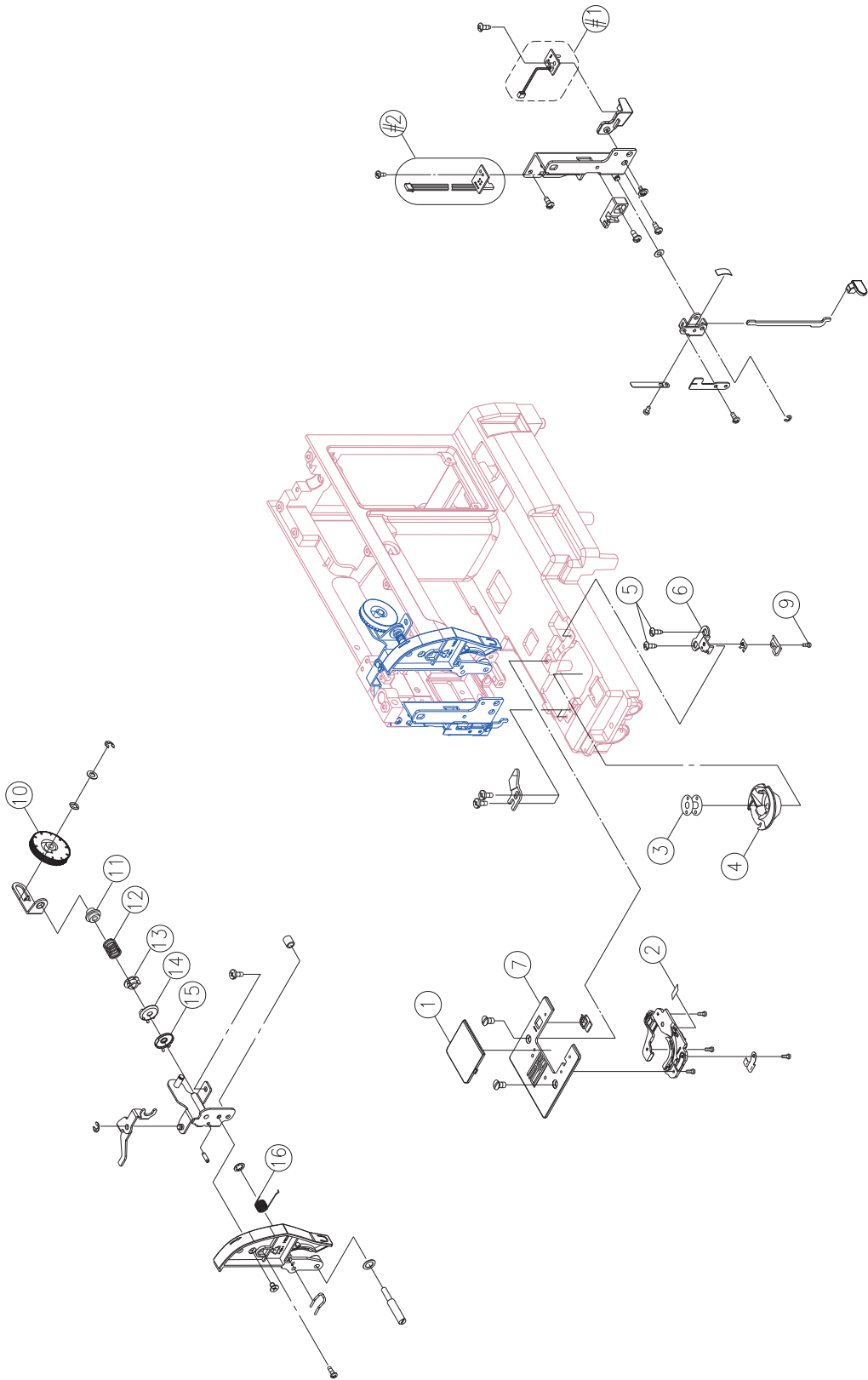
<u>Pos</u>	<u>Part No.</u>	<u>Description</u>
1	270 H1A0403000	ARM SHAFT SPROCKET
2	270 00742505M6	MOTOR DRIVE BELT
3	270 H1A1403209	HAND WHEEL
4	270 00749402M5	MOTOR DRIVE BELT (2M)
5	416476401	PHOTO SENSOR PLATE
#1	416484501	THREAD TAKE UP LEVER COMPLETE

# B



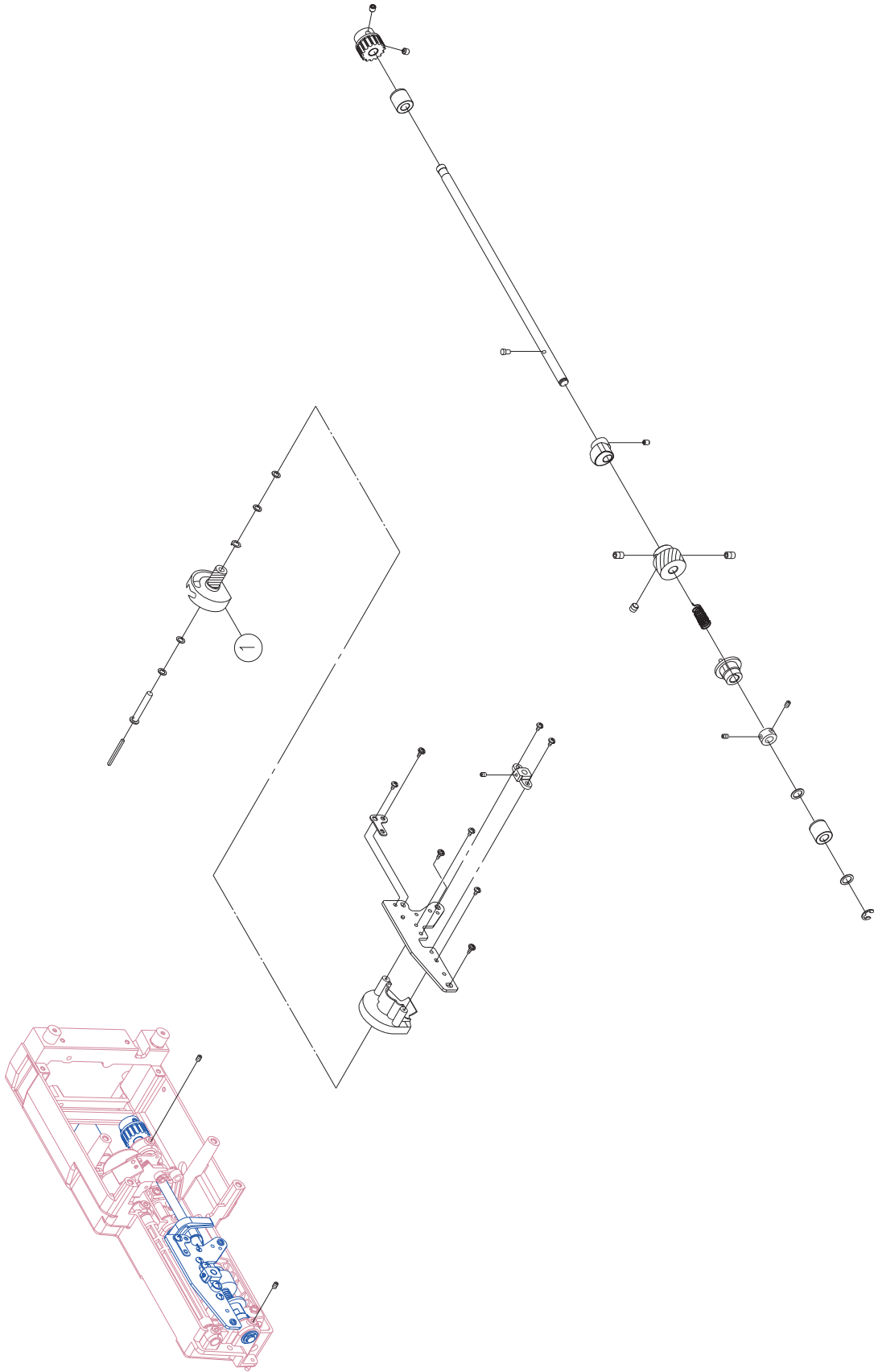
<u>Pos</u>	<u>Part No.</u>	<u>Description</u>
1	270 H1A0073000	PRESSER BAR LIFTER LEVER
2	416184201	SET SCREW (9/64×40×7.5)
3	416128201	SHANK COMPLETE
4	270 006186008	ZIGZAG PRESSER FOOT
5	416145801	AUTO THREADER
#1	270 H1A0154000	ZIGZAG PULSE MOTOR PLATE COMPLETE
#2	416245301	NEEDLE CLAMP COMPLETE
#3	416235801	NEEDLE BAR CRANK ROD COMPLETE

# C



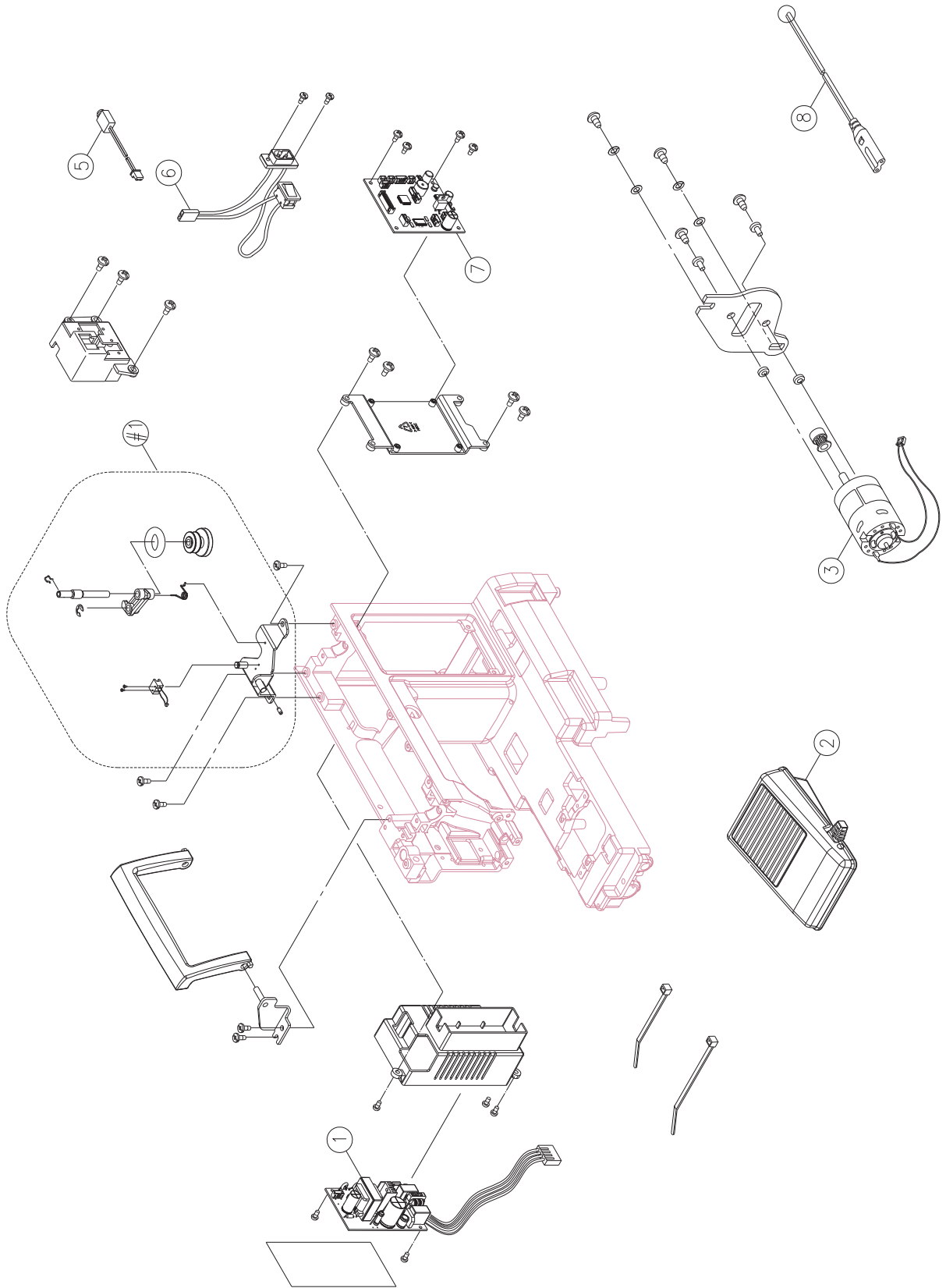
Pos	Part No.	Description
1	416565401	NEEDLE PLATE COVER
2	416172501	THREAD CUTTER
3	68000175	BOBBIN
4	416827001	SHUTTLE HOOK COMPLETE
5	416121201	SET SCREW (M4×6 B)
6	416143901	ROTARY HOOK PLATE
7	270 H2A0033004	NEEDLE PLATE
9	416119001	SET SCREW (M2×2.5)
10	416595401	DIAL TENSION KNOB
11	416153701	DIAL TENSION REGULATOR
12	270 K50183003	DIAL TENSION SPRING
13	270 V60303000	THREAD GUIDE SPRING
14	416153601	DIAL TENSION DISC (1)
15	416146301	DIAL TENSION DISC
16	416412001	DIAL TENSION SPRING REGULATOR
#1	416595101	LED LIGHT LAMP COMPLETE
#2	416642801	PHOTO SENSOR COMPLETE

# D



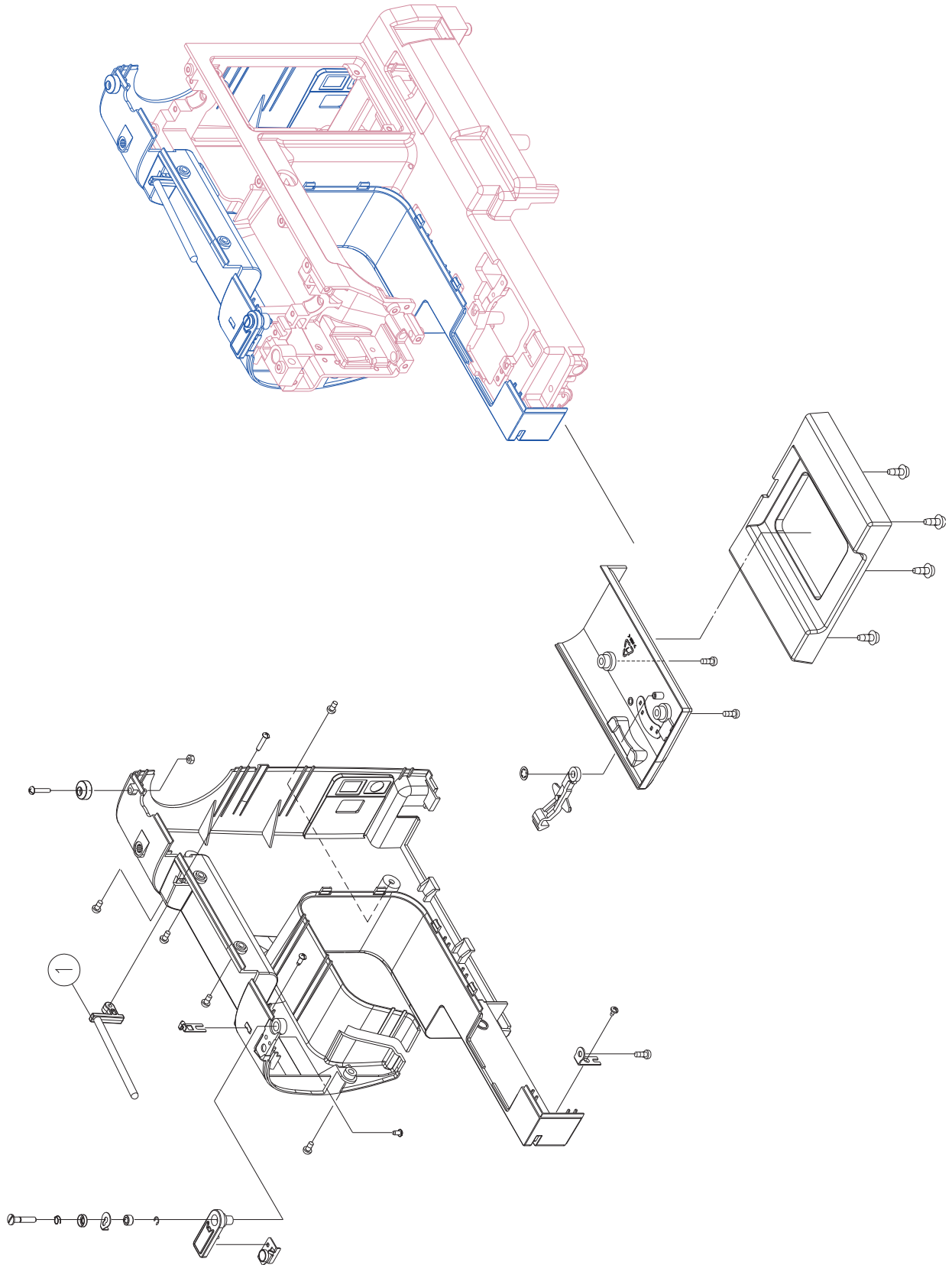


Pos	Part No.	Description
1	416479801	SHUTTLE HOOK HOLDER



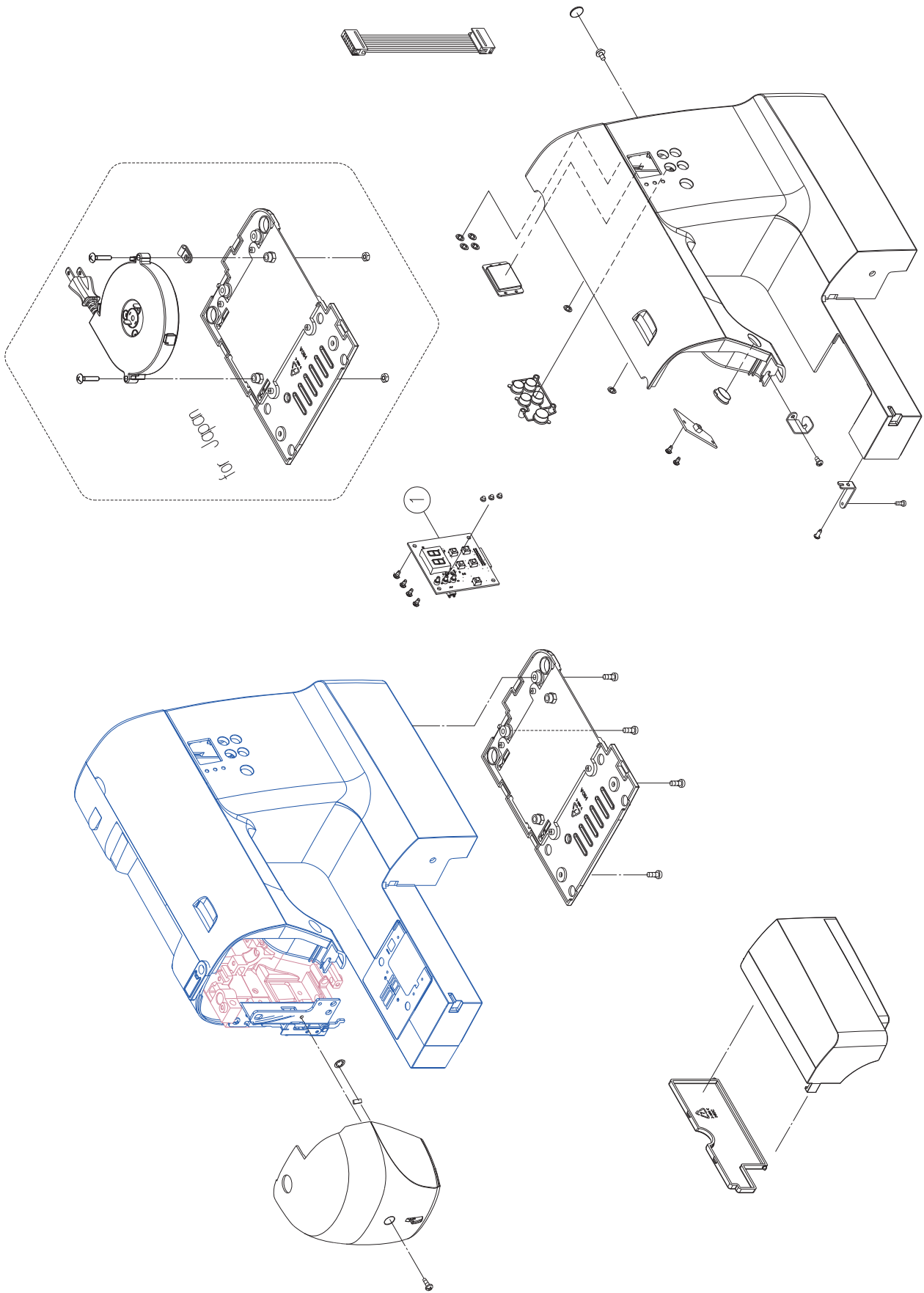
Pos	Part No.	Description
1	416643301	HF TRANSFORMER COMPLETE (EU)
2	416643801	FOOT CONTROLLER
3	416417101	MAIN MOTOR
5	416480501	CONTROLLER RECEPTACLE
6	416499301	SWITCH RECEPTACLE ASS'Y SET
7	416643601	MAIN CIRCUIT BOARD
8	412158101	Power cord (for 240V) AU
	412157903	Power cord (for 120V) US
	412157801	Power cord (for 230V) EU
#1	416644001	BOBBIN WINDER COMPLETE

# F



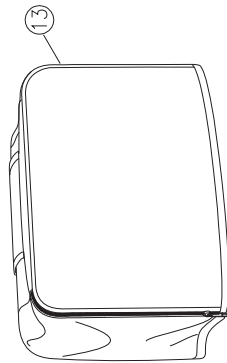
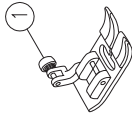
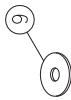
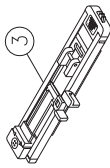
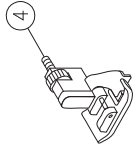
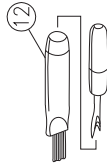
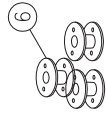
Pos	Part No.	Description
1	416169401	SPOOL ROD

# G



Pos	Part No.	Description
1	416644701	LED KEY PLATE

# H





<u>Pos</u>	<u>Part No.</u>	<u>Description</u>
1	270 006186008	ALL PURPOSE FOOT
2	416128701	ZIPPER FOOT (I)
3	270 006H1A0004	BUTTONHOLE FOOT
4	416437101	BLIND HEM FOOT (F)
5	270 006172008	SATIN STITCH FOOT (A)
6	68000175	BOBBIN
7	416157101	SPOOL HOLDER (LARGE)
8	416157601	SPOOL HOLDER (SMALL)
9	416127301	SPOOL PIN FELT
10	416157501	AUXILIARY SPOOL PIN
11	68000177	SCREW DRIVE (L)
12	416127701	BRUSH & SEAM RIPPER
13	416645201	SEWING MACHINE DUST COVER