

SINGER
7060

LIST OF PARTS

Sewing Machine Models

7060

by **SINGER***



A Publication of Product Support
International Group Engineering

Part No.317161- 060

Printed in Taiwan

* A trademark of The Singer Company
Copyright 1994, Singer Sewing Machine Company

All rights reserved throughout the world

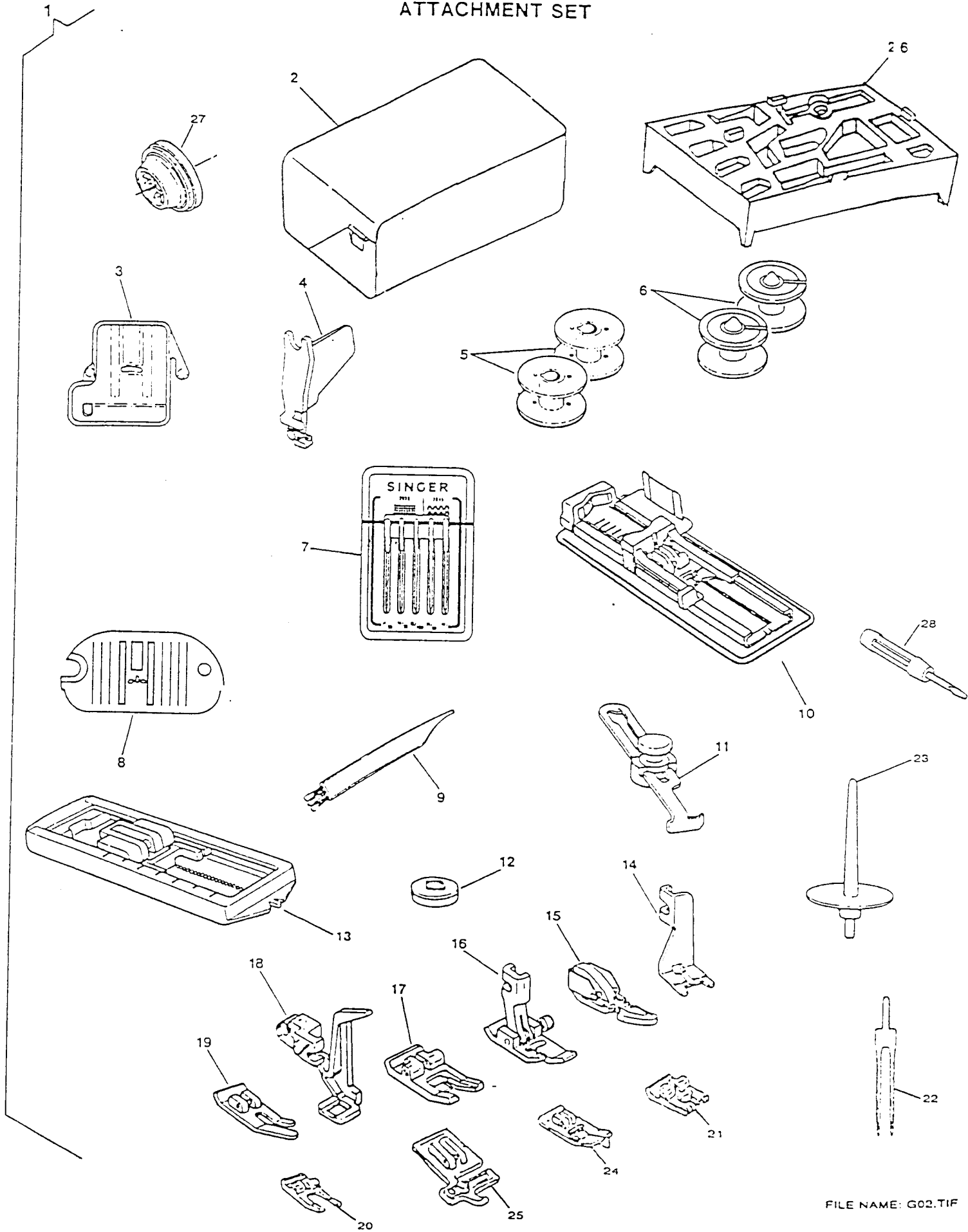
INDEX

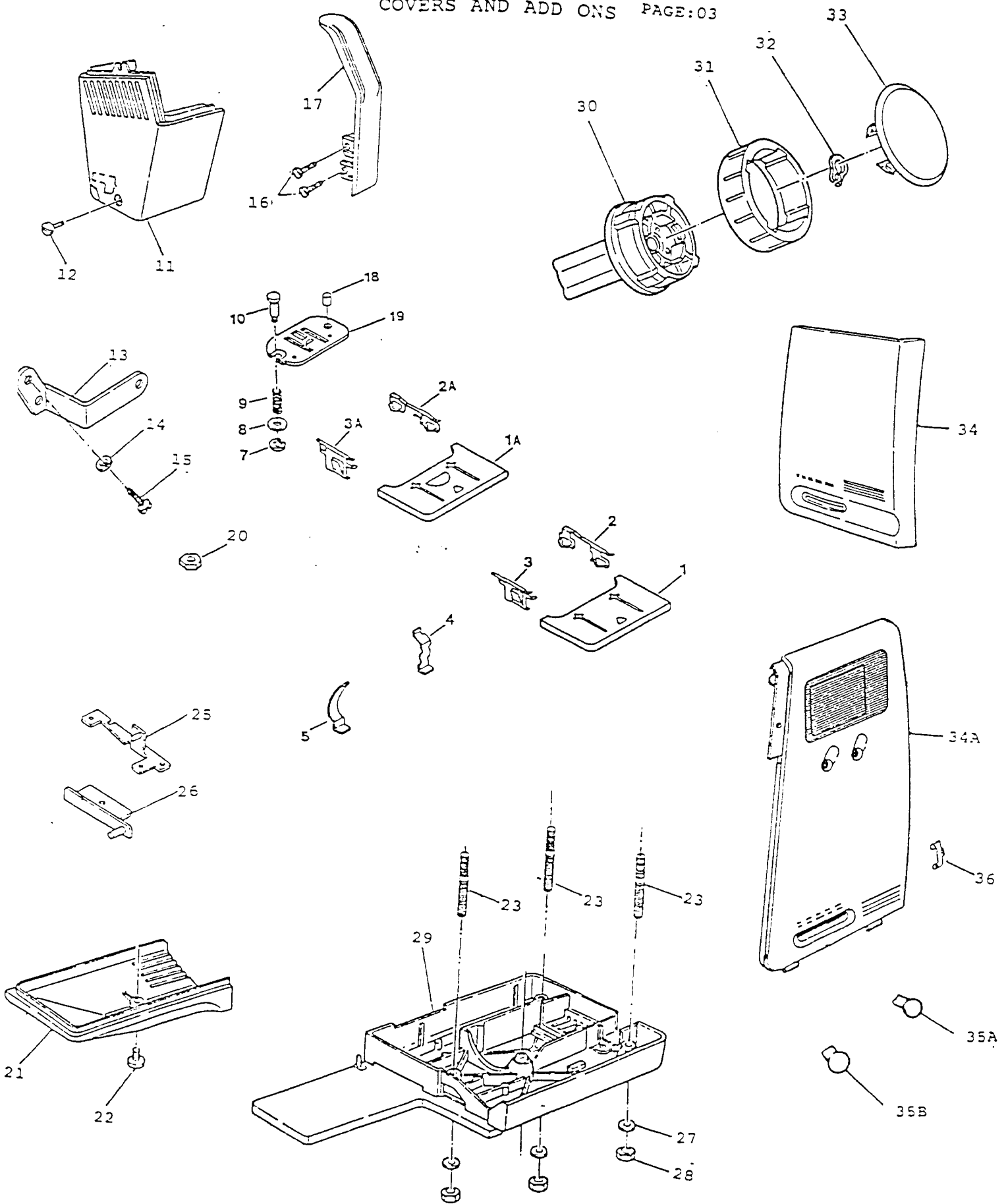
| PAGE NO. | SUBASSEMBLY |
|----------|---|
| 1, 2 | ATTACHMENT SET |
| 3, 4 | COVERS AND ADD ONS |
| 5, 8 | ARM TOP COVER |
| 9, 10 | ARM SHAFT DRIVE SYSTEM |
| 11, 12 | HAND WHEEL |
| 13, 14 | COAXIAL PRESSER BAR SYSTEM |
| 15, 16 | NEEDLE BAR & THREAD TAKE-UP |
| 17, 18 | ALPHA FEED |
| 19, 20 | HOOK SYSTEM (APOLLO) |
| 21, 22 | HOOK AND BOBBIN WINDING SYSTEM (CENTAUR) |
| 23, 28 | PATTERN, STITCH LENGTH CONTROL & CAM CONTROLLED FEED |
| 29, 30 | DEMAND RESPONSIVE NEEDLE TENSION SYTEM |
| 31, 34 | ELECTRICAL EQUIPMENT |

ATTACHMENT SET
MODEL: 7060N603

| REF. PART NO. NO. | DESCRIPTION |
|----------------------|--|
| 1 286639-003 | |
| 2 286626 | ACCESSORY BOX ASSEMBLY |
| 3 313117 | <u>FEED COVER PLATE</u> |
| 4 503277-454 | NEEDLE THREADER COMPLETE |
| 6 312956-001 | BOBBIN (CENTAUR) |
| 7 353364 | NEEDLE PACK (ALT: 384064) |
| 8 313066 | <u>THROAT PLATE FOR STRAIGHT SEWING</u> |
| 9 546358-453 | LINT BRUSH |
| 10 313093-453 | <u>BUTTONHOLE PRESSER FOOT (ONE-STEP) COMPLETE</u> |
| 11 161172 | SEAM AND BLINDSTITCH HEM GUIDE COMPLETE |
| 12 507664-467 | <u>ARM SPOOL PIN THREAD LEAD-OFF (SMALL, PLASTIC)</u> |
| 13 313992-451 | <u>PRESSER FOOT PLAT. (4-STEPS) FOR SEWING BUTTONHOLE</u> |
| 14 381066 | <u>PRESSER FOOT PLATE FOR BUTTON SEWING</u> |
| 15 171480 | PRESSER FOOT PLATE (SNAP-ON) FOR CORDING AND SLIDE FASTENERS COMPLETE |
| 16 381491 | BLIND HEM PRESSER FOOT ASSEMBLY |
| 17 171463 | SPECIAL PURPOSE PRESSER FOOT PLATE (SNAP-ON) |
| 18 384037 | DARING AND EMBROIDERY FOOT COMPLETE (PLASTIC) |
| 19 353628 | <u>PRESSER FOOT PLATE (SNAP-ON) FOR STRAIGHT SEWING</u> |
| 20 317446 | OPEN-TOE EMBROIDERY FOOT |
| 21 317263 | PINTUCK PRESSER FOOT ASSEMBLY |
| 22 N2025-014 | TWIN NEEDLE (SIZE 14) |
| 23 313026-452 | SPOOL PIN (PLASTIC) FOR TWIN NEEDLE SEWING |
| 24 541582 | OVEREDGE FOOT COMPLETE |
| 25 543106 | SHIRring PRESSER FOOT PLATE COMPLETE |
| 26 286620 | TOP TRAY OF ACCESSORY BOX |
| 27 179967-461 | <u>SPOOL PIN THREAD LEAD-OFF</u> |

ATTACHMENT SET

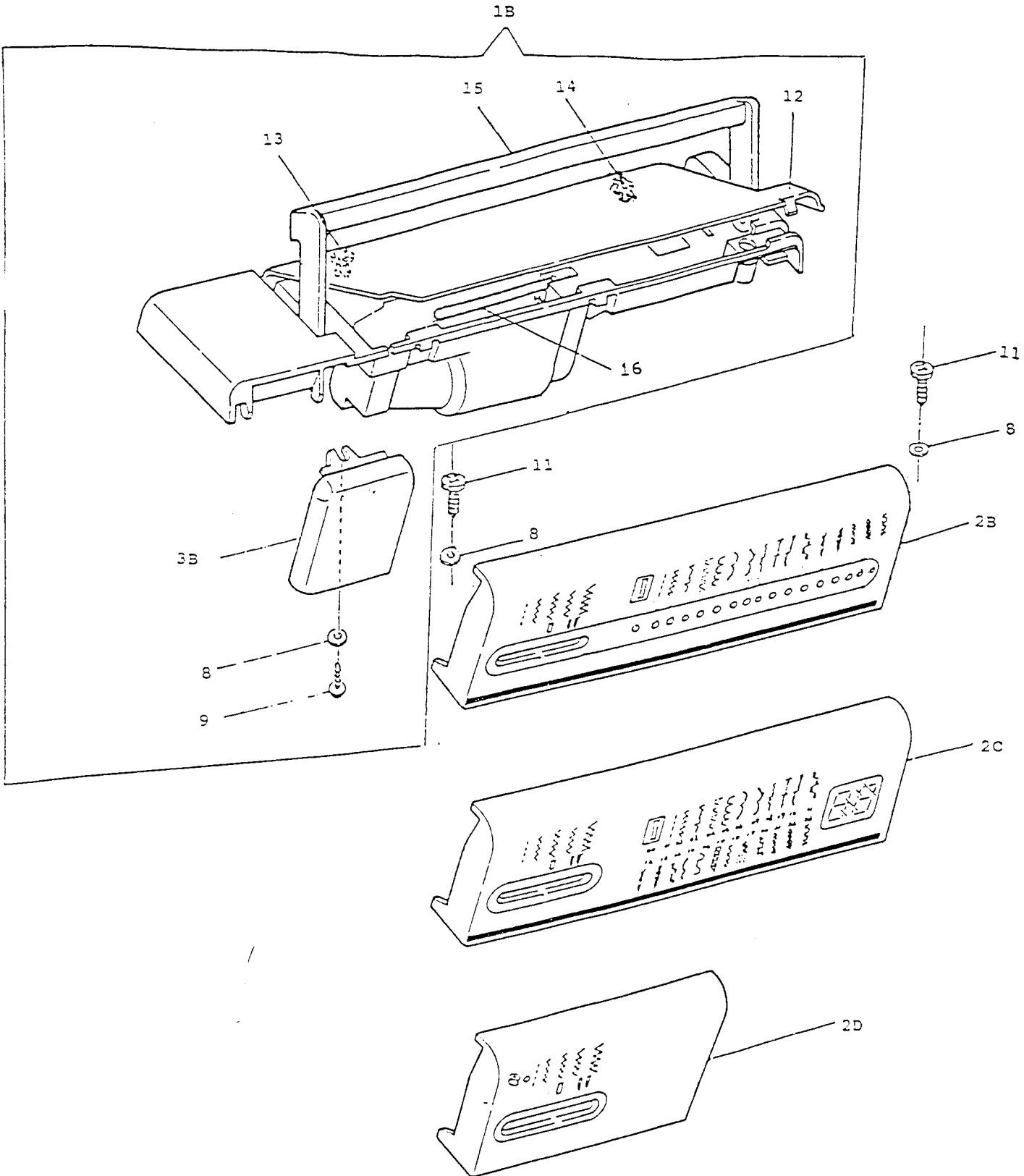




COVERS AND ADD ONS
MODEL: 7060N603

| REF. PART NO. NO. | DESCRIPTION |
|----------------------|--|
| 1A 314109 | BED SLIDE ASSEMBLY COMPLETE (ALT:313166) |
| 2A 312779 | BED SLIDE SPRING (RIGHT) |
| 3A 313108 | BED SLIDE SPRING (LEFT) |
| 7 313098 | THROAT PLATE POUNGER RETAINING RING |
| 8 549426-451 | THROAT PLATE PUNGER WASHER |
| 9 312805 | THROAT PLATE PLUNGER SPRING |
| 10 312804 | THROAT PLATE PLUNGER |
| 11 286610-451 | FACE PLATE COMPLETE |
| 12 113521-451 | FACE PLATE MOUNTING SCREW |
| 13 286680 | FACE PLATE MOUNTING BRACKET |
| 14 446138 | FACE PLATE MOUNTING BRACKET SCREW WASHER |
| 15 544211-002 | FACE PLATE MOUNTING BRACKET SCREW |
| 16 113470-003 | THREAD TAKE-UP COVER MOUNTING SCREW |
| 17 286529-902 | THREAD TAKE-UP COVER |
| 18 314765 | THROAT PLATE LOCATING PIN |
| 19 312777 | THROAT PLATE FOR ZIG-ZAG SEWING |
| 20 313049 | BED INSERT NUT |
| 21 286505-900 | BED COVER (TUBULAR) |
| 22 354633-452 | BED COVER (TUBULAR) SCREW |
| 23 286509-451 | BASE COVER MOUNTING BOLT |
| 25 286510 | HANDLE HINGE BRACKET ASSEMBLY (RIGHT) |
| 26 286513 | HANDLE HINGE BRACKET ASSEMBLY (LEFT) |
| 27 314712-451 | BOTTOM COVER MOUNTING BOLT WASHER |
| 28 313177-451 | BOTTOM COVER MOUNTING BOLT MOUNTING NUT |
| 29 286539-001 | BASE PLATE ASSEMBLY |
| 30 286555-900 | PATTERN SELECTOR KNOB |
| 31 286561 | RING, PATTERN SELECTOR KNOB |
| 32 543855-006 | RETAINING RING, PATTERN SELECTOR KNOB |
| 33 286562 | PATTERN SELECTOR KNOB CAP |
| 34A 286733-451 | STITCH LENGTH CONTROL PANEL WITH GRAPHICS |
| 35A 286548-451 | BIGHT AMPLITUDE CONTROL LEVER & STITCH LENGTH CONTROL LEVER KNOB |
| 35B 286524-451 | THREAD TENSION KNOB |
| 36 286858-451 | STUFFER FOR SINGLE LANGUAGE LCD |

ARM TOP COVER (CONT.)



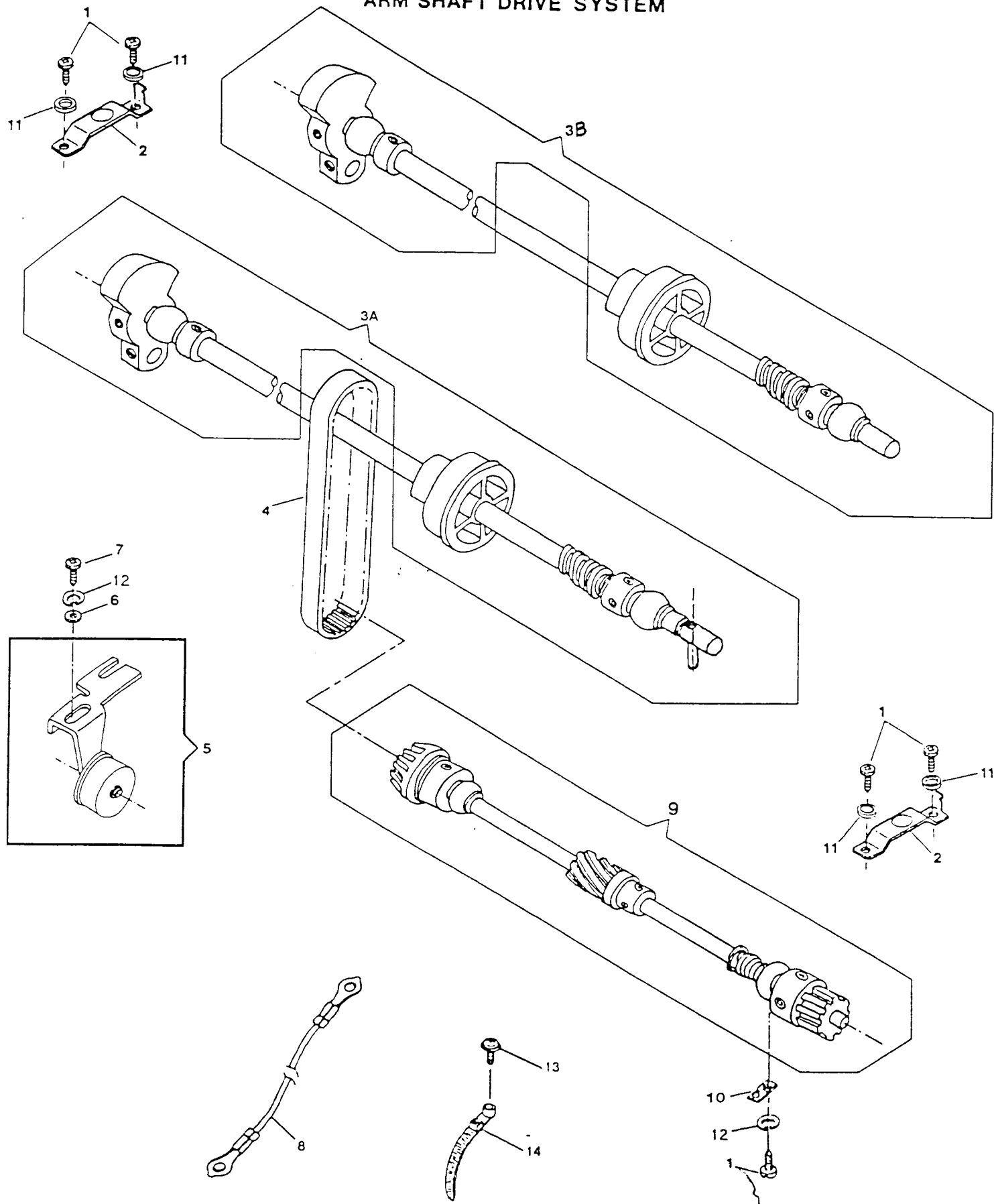
ARM TOP COVER
MODEL: 7060N603

| REF. PART NO. | PART NO. | DESCRIPTION |
|------------------|-------------|--|
| 1B | 286864-004 | ARM TOP COVER ASSEMBLY WITH HANDLE (QUANTUM) |
| 2D | 286728-001 | CONTROL PANEL WITH GRAPHICS |
| 3B | 286605-904 | CONTROL PANEL EXTENSION WITH GRAPHICS (QUANTUM) |
| 8 | 502495-451 | WASHER, CONTROL PANEL EXTENSION & CONTROL PANEL MOUNTING SCREW |
| 9 | 113455-003 | SCREW, CONTROL PANEL EXTENSION MOUNTING |
| 11 | 113455-001 | SCREW, CONTROL PANEL MOUNTING |
| 12 | 286839 | ARM TOP COVER LID |
| 13 | 286552-451 | ARM TOP COVER LID HINGE (LEFT) |
| 14 | 286553-451 | ARM TOP COVER LID HINGE (RIGHT) |
| 15 | 286716 | MACHINE HANDLE |
| 16 | 286566-451 | SPOOL PIN |

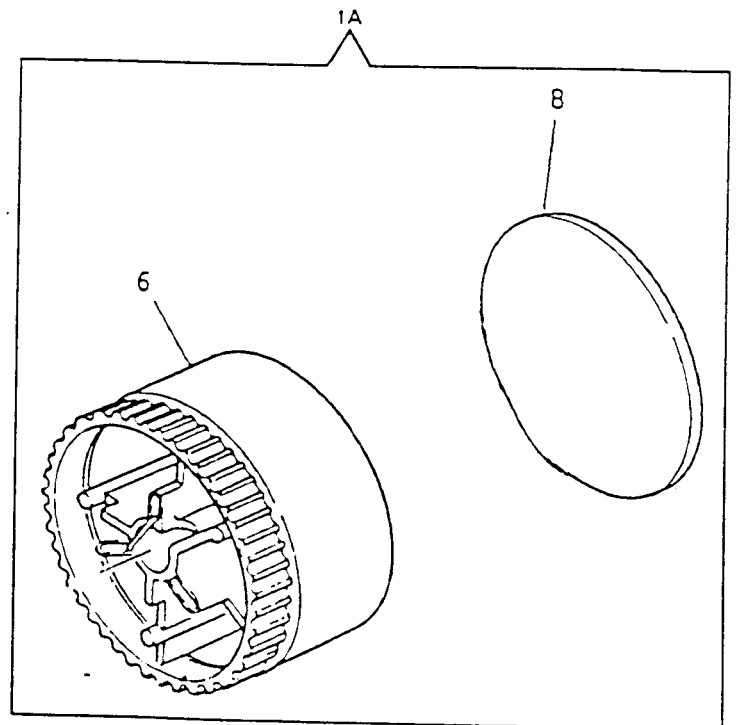
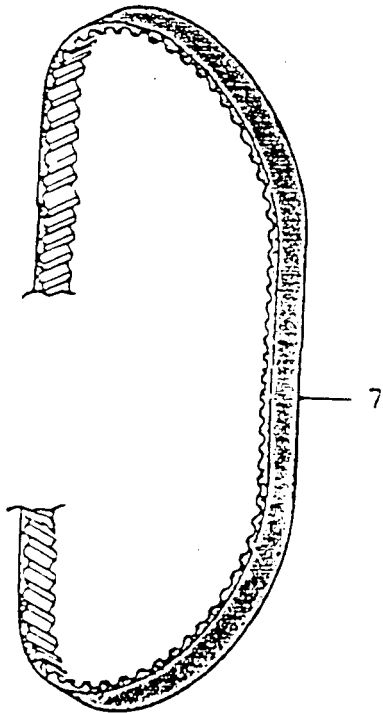
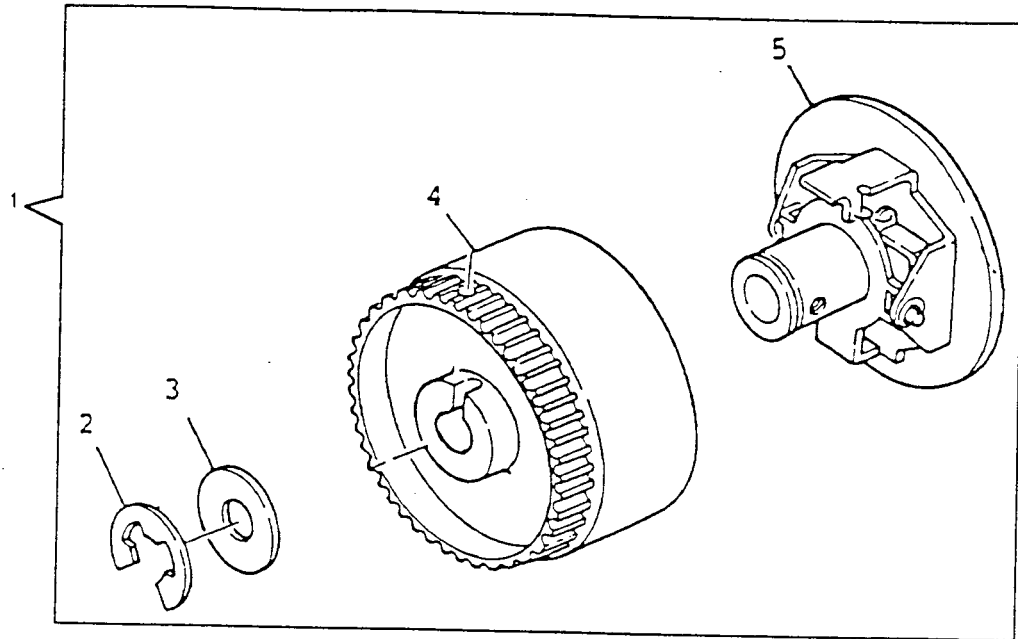
ARM SHAFT DRIVE SYSTEM
MODEL: 7060N603

| REF. PART NO. | PART NO. | DESCRIPTION |
|------------------|-------------|---|
| 1 | 113455-002 | ARM SHAFT (HORIZONTAL) BUSHING (LEFT & RIGHT) CLAMP SCREW |
| 2 | 312796-452 | ARM SHAFT BUSHING CLAMP |
| 3A | 286580-002 | ARM SHAFT ASSEMBLY (CENTAUR) |
| 4 | 603975-011 | BELT (ROTATING HOOK DRIVE) ALT: 603975-012 |
| 5 | 313195 | IDLER BRACKET ASSEMBLY |
| 6 | 314041-451 | ROTATING HOOK DRIVING BELT TENSION ADJUSTER SCREW WASHER |
| 7 | 113455-002 | ROTATING HOOK DRIVING BELT TENSION ADJUSTER SCREW |
| 8 | 286824 | GROUNDING LEAD ASSEMBLY |
| 9 | 314010 | ROTATING HOOK DRIVE SHAFT SUB-ASSEMBLY |
| 10 | 313184-001 | ROTATING HOOK DRIVE SHAFT BUSHING (SELF ALIGNING) CLAMP |
| 11 | 314013-451 | ARM SHAFT BUSHING CLAMP SCREW LOCK WASHER |
| 12 | 314013-451 | ROTATING HOOK DRIVE SHAFT BUSHING CLAMP SCREW LOCK WASHER |
| 13 | 113455-003 | SCREW, CABLE TIE MOUNTING |
| 14 | 604690-001 | SELF LOCKING NYLON CABLE TIE |

ARM SHAFT DRIVE SYSTEM



HAND WHEEL



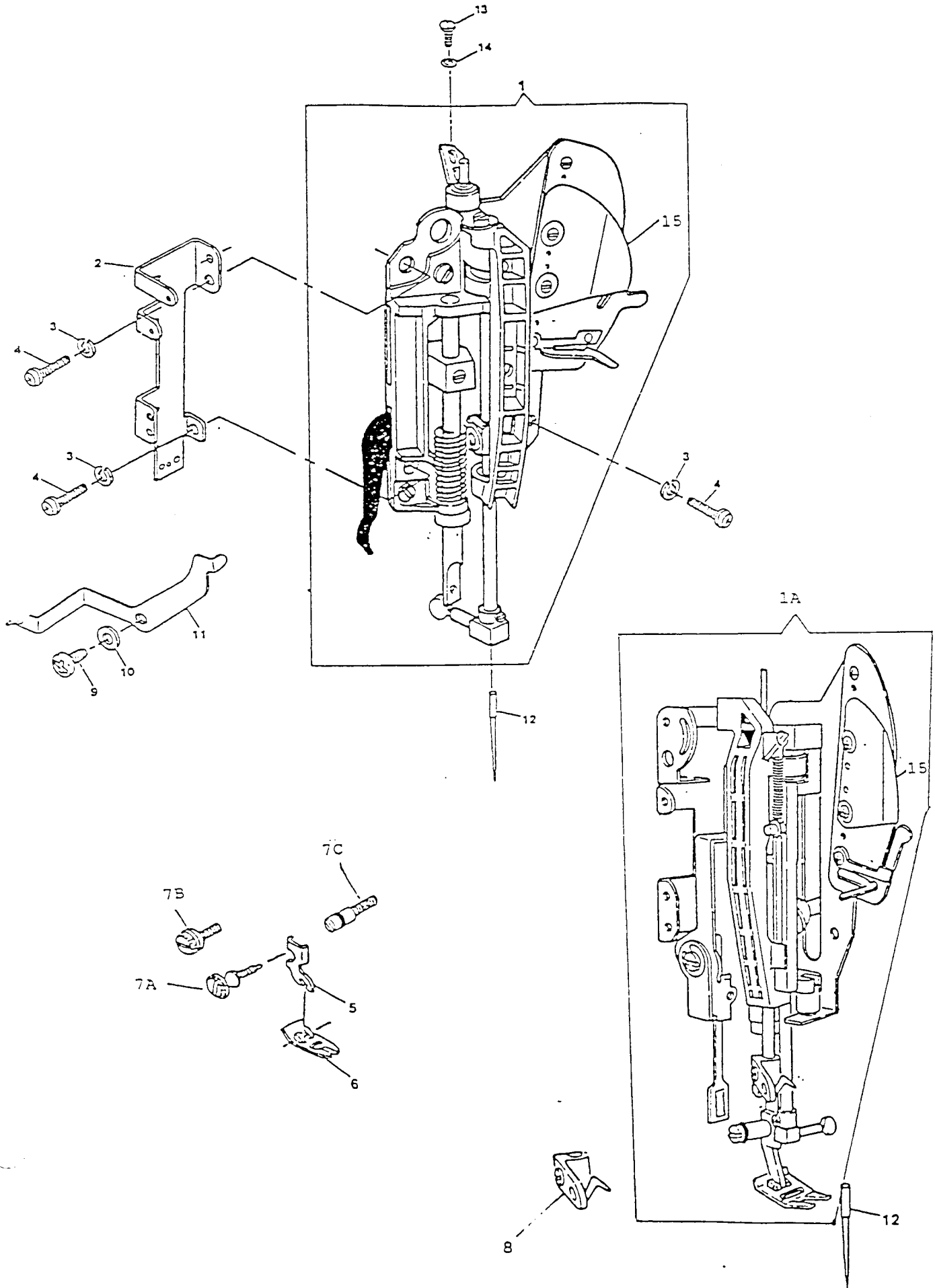
HAND WHEEL
MODEL: 7060N603

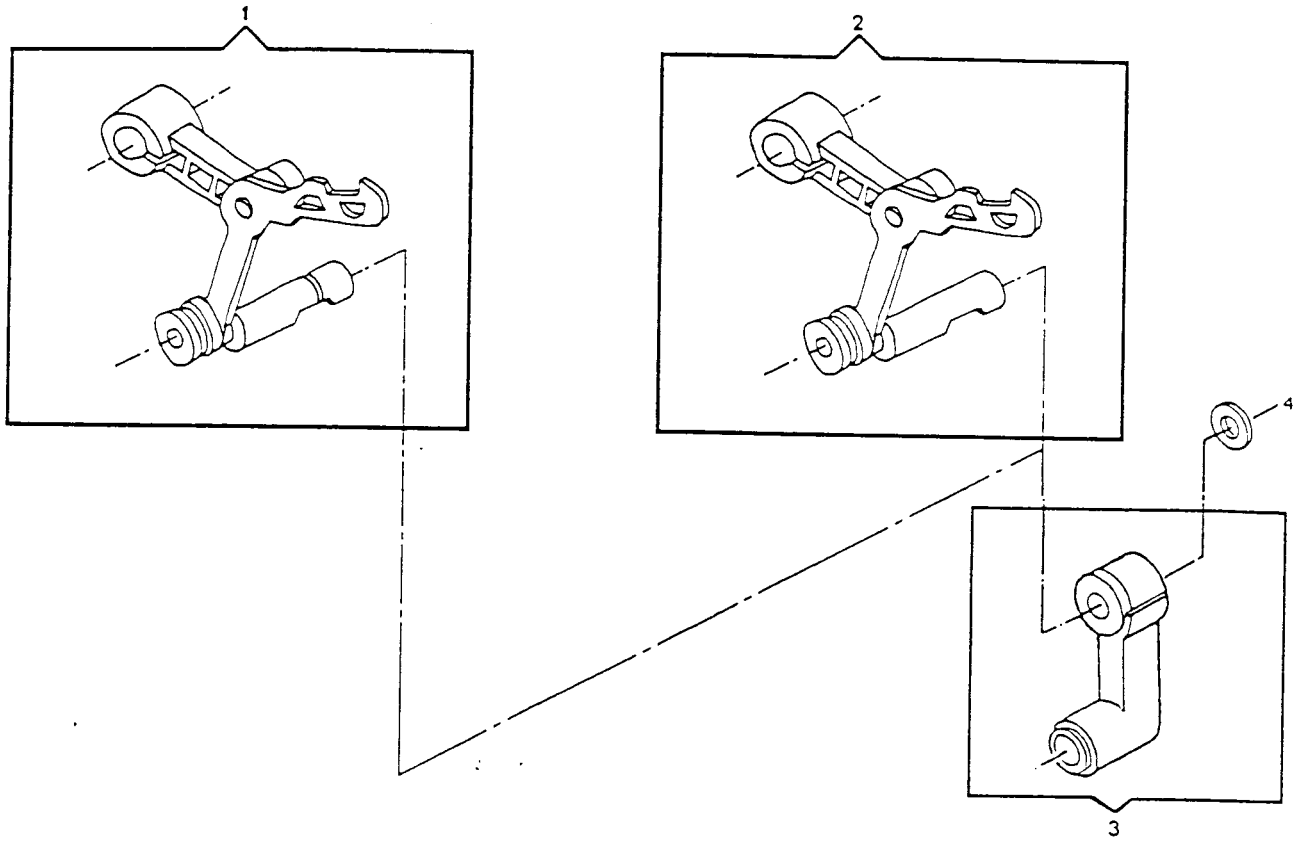
| REF. PART NO. | PART NO. | DESCRIPTION |
|------------------|-------------|--------------------------------|
| 1A | 286831-001 | HAND WHEEL ASSEMBLY |
| 6 | 286719 | HAND WHEEL SPRING SUB-ASSEMBLY |
| 7 | 312628-001 | BELT (MOTOR DRIVE) |
| 8 | 286692-451 | HAND WHEEL COVER PLATE |

COAXIAL PRESSER BAR SYSTEM
MODEL: 7060N603

| REF. PART NO. | PART NO. | DESCRIPTION |
|------------------|-------------|---|
| 1A | 286672 | HEAD END MODULE (CENTAUR) |
| 2 | 286784 | FACE PLATE MOUNTING BRACKET |
| 3 | 313955-451 | HEAD END MOUNTING PLATE LOCK WASHER |
| 4 | 113455-012 | HEAD END MOUNTING PLATE SCREW |
| 5 | 370502-001 | PRESSER FOOT SHANK (SNAP-ON) |
| 6 | 313150 | PRESSER FOOT PLATE (SNAP-ON) FOR ZIG-ZAG SEWING |
| 7C | 286677-451 | PRESSER FOOT THUMB SCREW & BOBBIN WINDER THREAD HOLDER ASSEMBLY |
| 8 | 286681-001 | NEEDLE THREADER COMPLETE |
| 9 | 113455-001 | NEEDLE THREAD TENSION RELEASE LEVER HINGE SCREW |
| 10 | 314041-451 | NEEDLE THREAD TENSION RELEASE LEVER RETAINING WASHER |
| 11 | 314589 | NEEDLE THREAD TENSION RELEASE LEVER ASSEMBLY |
| 12 | N2020-014 | NEEDLE (SIZE NO.14) |
| 13 | 113408-001 | NEEDLE BAR DRIVING ARM BALL JOINT SCREW |
| 14 | 931929-004 | NEEDLE BAR DRIVING ARM BALL JOINT SCREW WASHER |
| 15 | 314690 | THREAD PINCH PLATE |

COAXIAL PRESSER BAR SYSTEM FOR NEW HEAD END



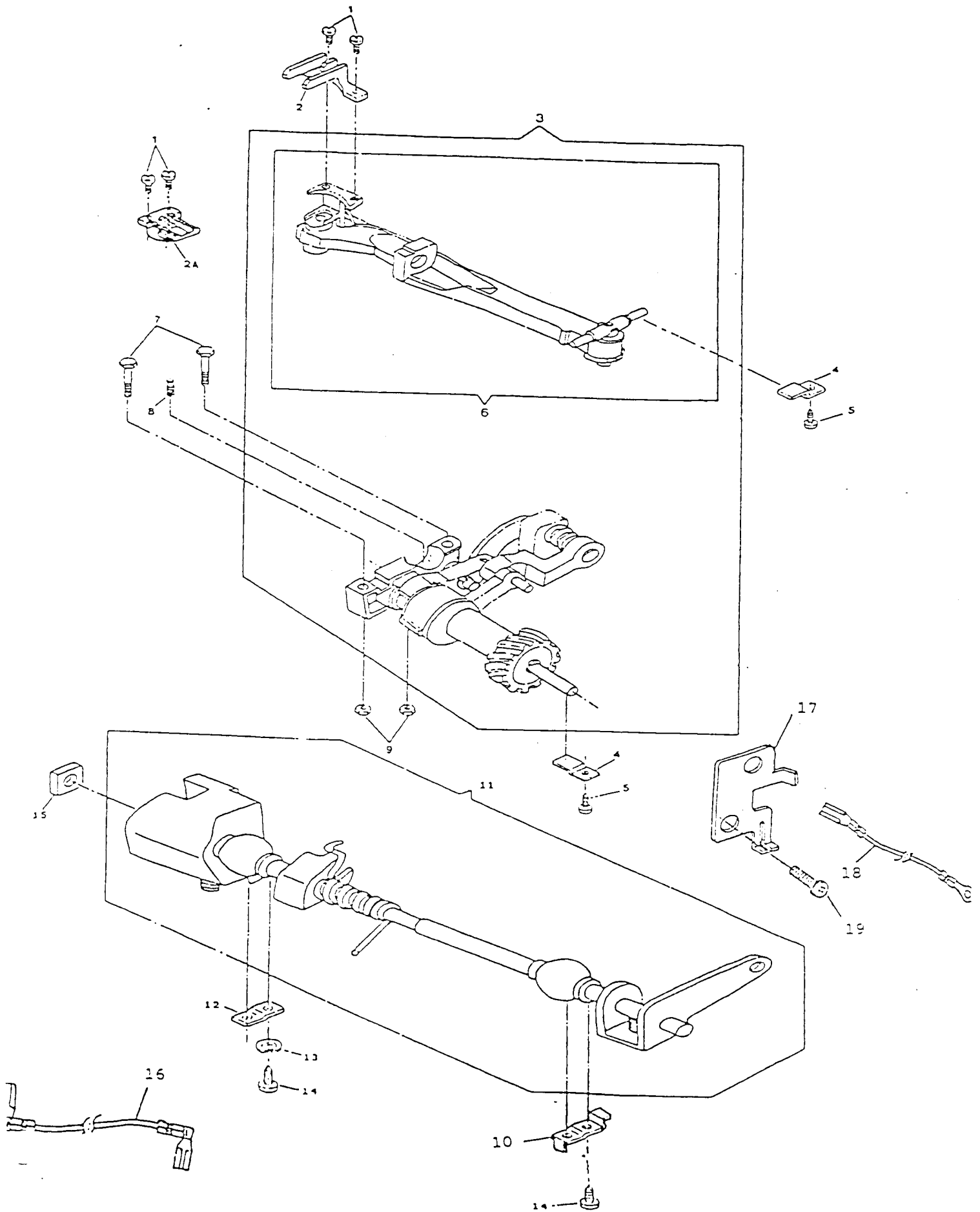


NEEDLE BAR & THREAD TAKE-UP
MODEL: 7060N603

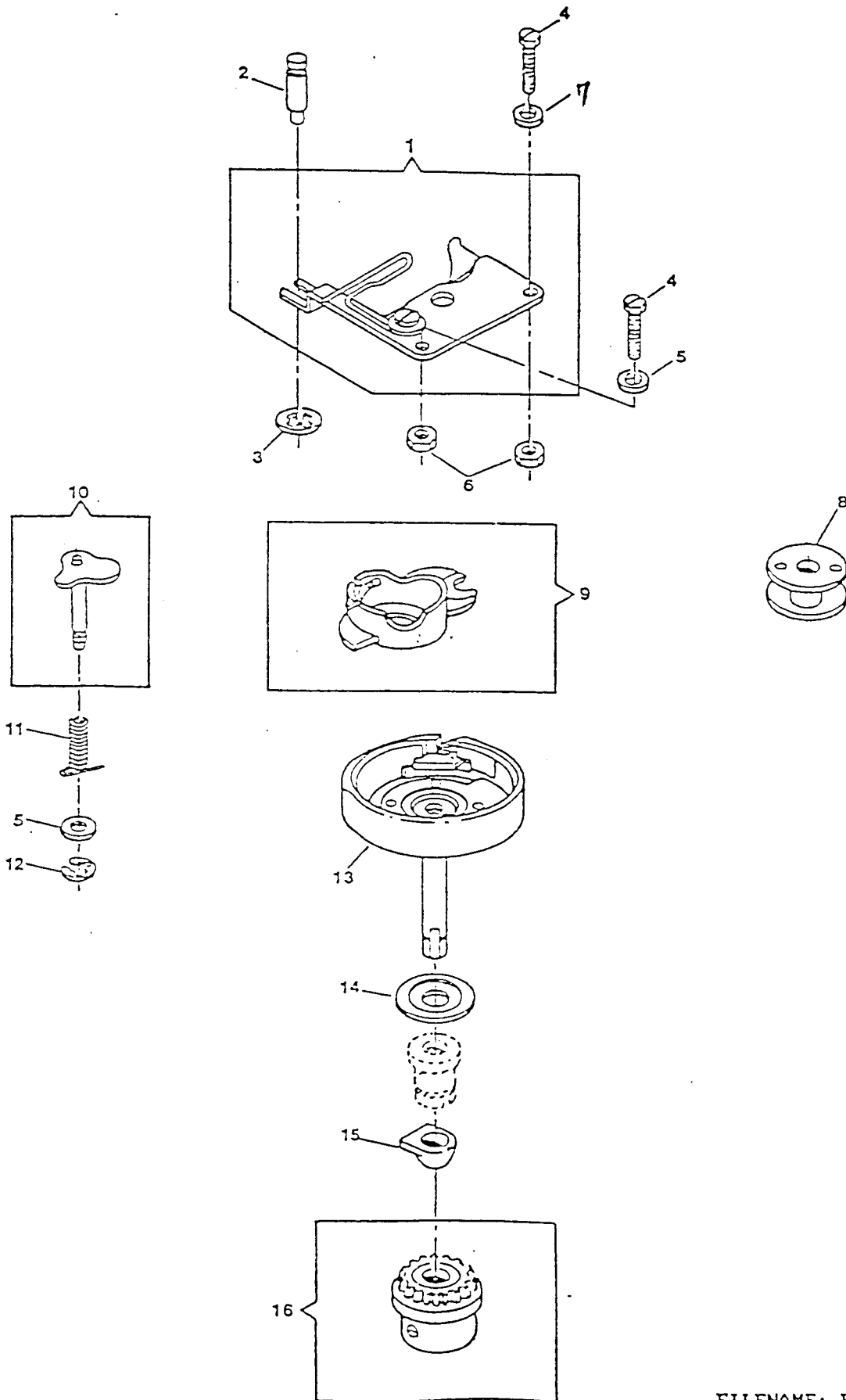
| REF. PART NO. | PART NO. | DESCRIPTION |
|------------------|-------------|-----------------------------------|
| 2 | 314699 | THREAD TAKE-UP COMPLETE (CENTAUR) |
| 3 | 137528-901 | NEEDLE BAR CONNECTING LINK |
| 4 | 314071 | WASHER, THREAD TAKE-UP LEVER |

ALPHA FEED
MODEL: 7060N603

| REF. PART NO. | PART NO. | DESCRIPTION |
|------------------|-------------|---|
| 1 | 141920-452 | FEED DOG SCREW |
| 2 | 313021 | FEED DOG (ZINC) (CENTAUR) |
| 3 | 314140-001 | ALPHA FEED MODULE |
| 4 | 312851 | FEED BAR PIVOT HING STUD CLAMP |
| 5 | 113455-003 | CLAMP SCREW |
| 6 | 314141 | FEED BAR ASSEMBLY |
| 7 | 354921-451 | FEED & ROTATING HOOK DRIVE SHAFT BEARING BLOCK SCREW |
| 8 | 314070 | ROTATING HOOK DRIVE SHAFT BUSHING SPING |
| 9 | 514674-451 | FEED & ROTATING HOOK DRIVE SHAFT BEARING BLOCK MOUNTING SCREW NUT |
| 10 | 286817 | FEED REGULATOR SHAFT BUSHING CLAMP |
| 11 | 313133 | FEED REGULATOR SHAFT ASSEMBLY |
| 12 | 313816 | FEED REGULATOR SHAFT BUSHING (SELF-ALIGNING) CLAMP |
| 13 | 314013-451 | FEED REGULATOR SHAFT BUSHING (SELF-ALIGNING) CLAMP SCREW LOCK WASHER |
| 14 | 113455-001 | FEED REGULATOR SHAFT BUSHING (SELF-ALIGNING) CLAMP SCREW |
| 15 | 511030 | FEED REGULATOR SLIDE BLOCK |
| 16 | 317479-001 | GROUNDING LEAD ASSEMBLY (R/H DRIVE) |
| 17 | 313852 | ROTATING HOOK GROUNDING CLIP |
| 18 | 317470-001 | GROUNDING LEAD ASSEMBLY (ROTATING HOOK) |
| 19 | 113455-001 | SCREW, ROTATING HOOK GROUND CLIP |



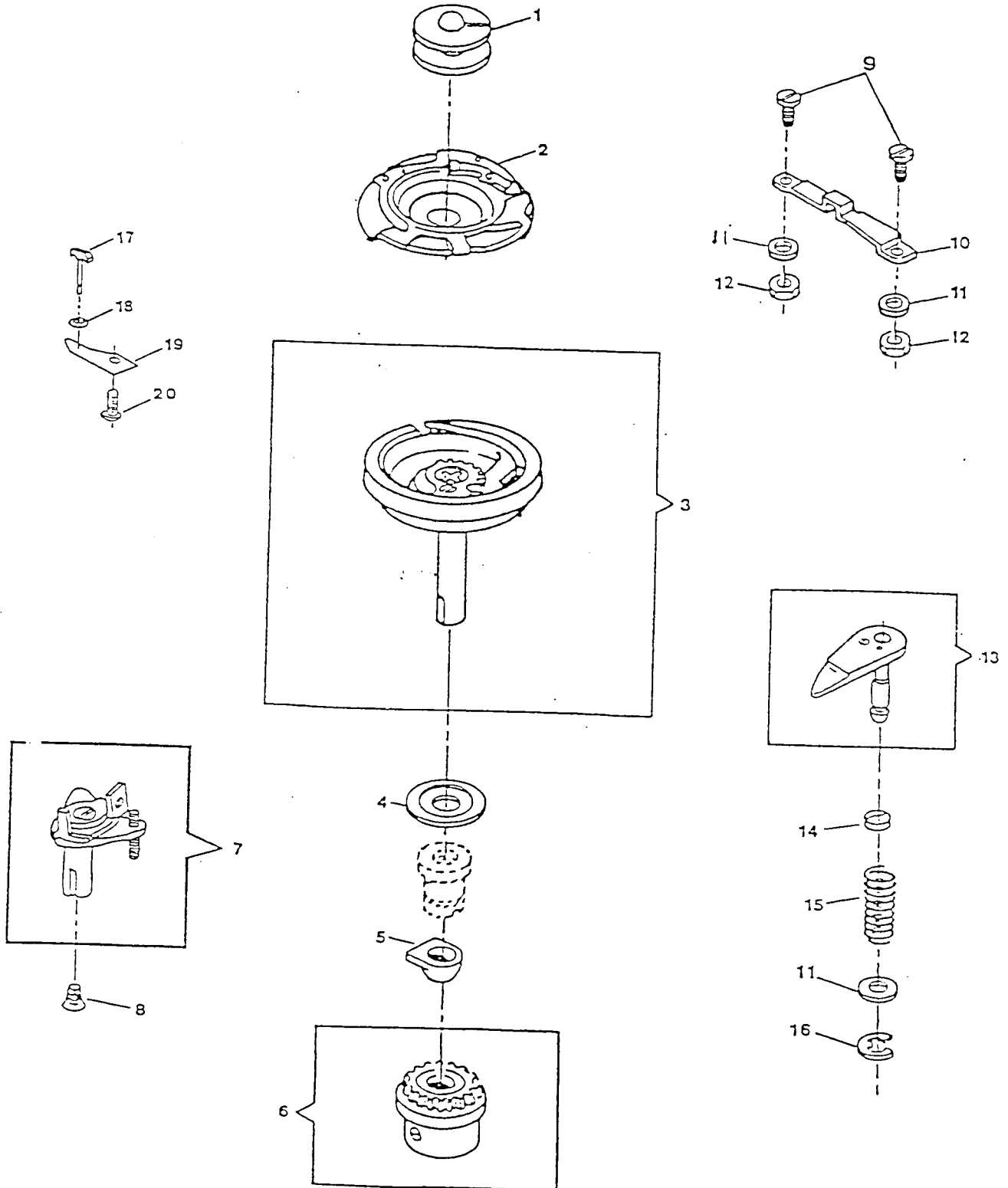
HOOK SYSTEM (APOLLO)



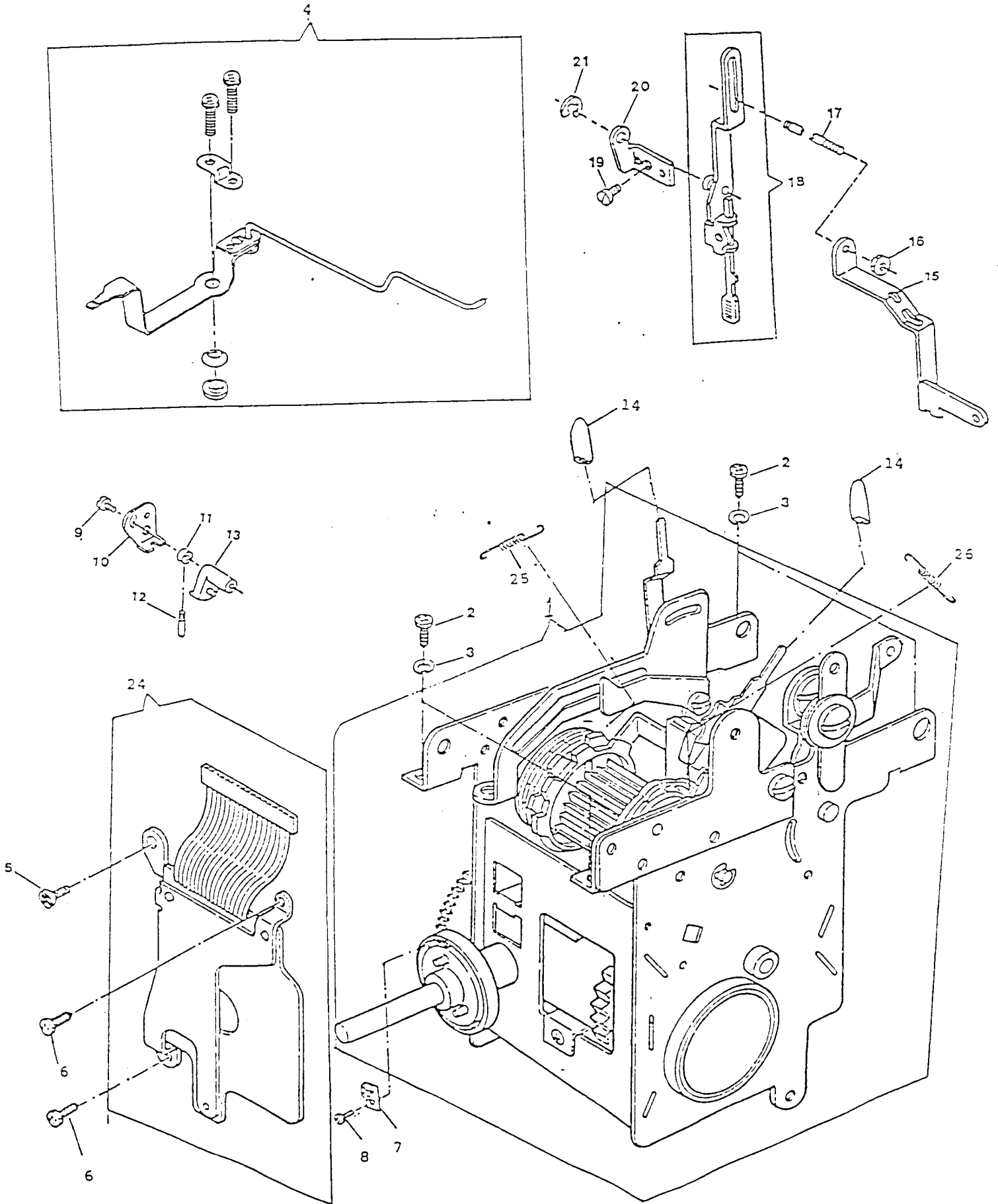
HOOK SYSTEM (CENTAUR)

MODEL: 7060N603

| REF. NO. | PART NO. | DESCRIPTION |
|----------|------------|---|
| 1 | 312956-001 | BOBBIN |
| 2 | 314662-001 | ROTATING HOOK BOBBIN CASE COMPLETE |
| 3 | 313183-002 | ROTATING HOOK ASSEMBLY |
| 4 | 314049-001 | ROTATING HOOK FLANGED BUSHING THRUST WASHER |
| 5 | 312847 | ROTATING HOOK FLANGED BUSHING WASHER |
| 6 | 314012 | ROTATING HOOK BEVEL GEAR COMPLETE |
| 7 | 313956 | BED SLIDE ACTUATING LEVER ASSEMBLY |
| 8 | 354929-451 | BED SLIDE ACTUATING LEVER STUD SCREW |
| 9 | 113439-451 | ROTATING HOOK BOBBIN CASE POSITION PLATE SCREW |
| 10 | 312738 | ROTATING HOOK BOBBIN CASE POSITION PLATE |
| 11 | 313190-451 | ROTATING HOOK BOBBIN CASE POSITION PLATE SCREW WASHER |
| 12 | 313945-451 | ROTATING HOOK BOBBIN CASE POSITION PLATE SCREW NUT |
| 13 | 313088 | ROTATING HOOK BOBBIN CASE RETAINING PLATE COMPLETE |
| 14 | 313930 | ROTATING HOOK BOBBIN CASE RETAINING PLATE RETURN SPRING |
| 15 | 314072 | ROTATING HOOK BOBBIN CASE RETAINING PLATE SPRING |
| 16 | 312702 | ROTATING HOOK BOBBIN CASE RETAINING PLATE SPRING RETAINING RING |
| 17 | 314766 | BED SLIDE STOP PIN |
| 18 | 314768 | BED SLIDE STOP PIN RETAINING RING |
| 19 | 314767 | BED SLIDE STOP PIN SPRING |
| 20 | 113445-006 | SCREW, BED SLIDE STOP PIN |



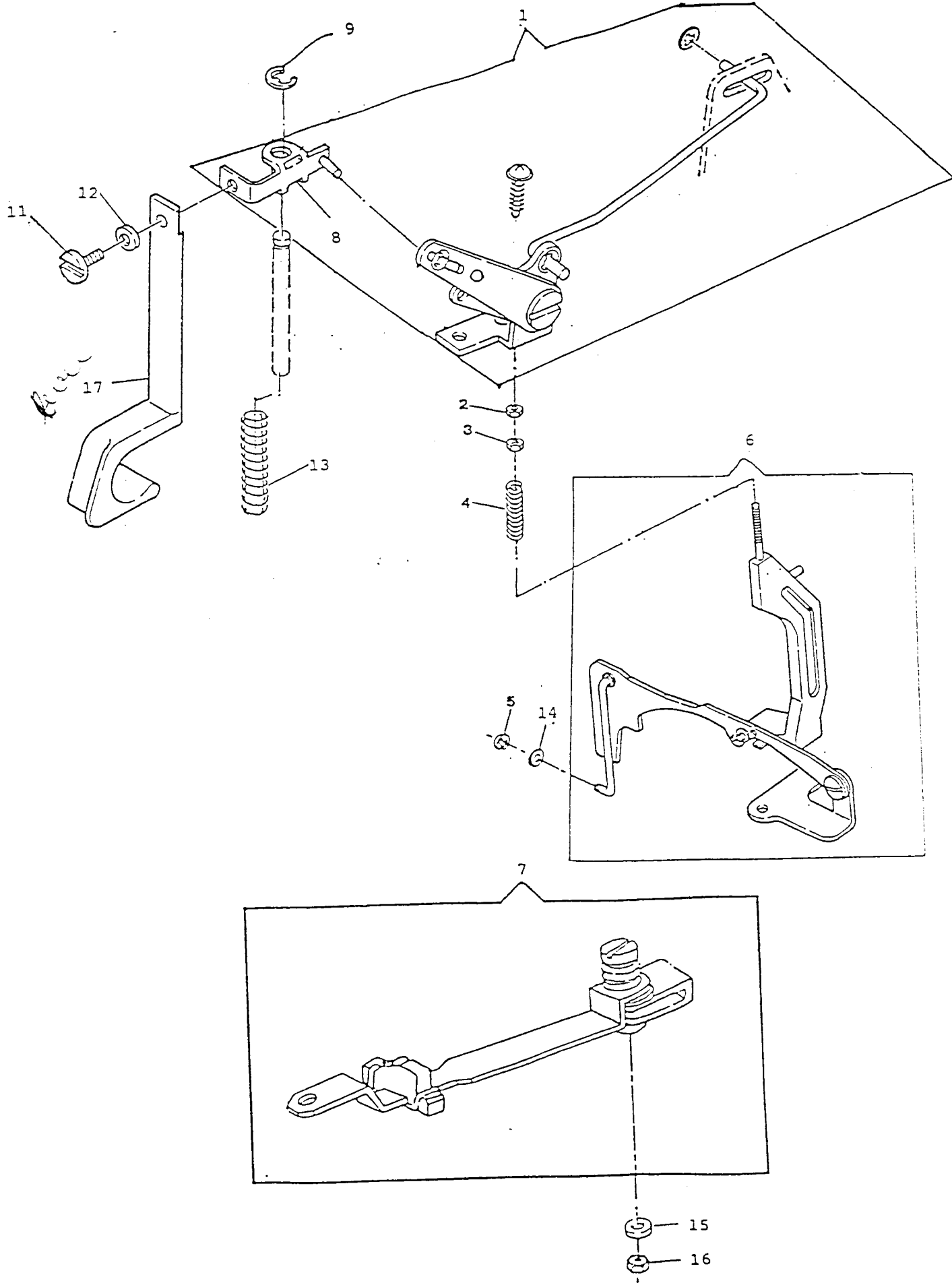
PATTERN, STITCH LENGTH CONTROL & CAM CONTROLLED FEED (CONT.)



PATTERN, STITCH LENGTH CONTROL & CAM CONTROLLED FEED
 MODEL: 7060N603

| REF. NO. | PART NO. | DESCRIPTION |
|----------|------------|--|
| 1 | 286835-001 | PATTERN SELECTOR MODULE |
| 2 | 113455-001 | DISC SELECTOR MECHANISM MOUNTING PLATE SCREW (LEFT AND RIGHT) |
| 3 | 314013-451 | DISC SELECTOR MECHANISM MOUNTING PLATE SCREW (LEFT AND RIGHT) LOCK WASHER |
| 4 | 286738-002 | BIGHT AMPLITUDE CONTROL LEVER ASSEMBLY |
| 5 | 544211-001 | SCREW |
| 6 | 317253-001 | ROTARY SWITCH ASSEMBLY COMPLETE |
| 7 | 314497 | NEEDLE BAR DRIVING ARM SLIDE POSITIONING SPRING |
| 8 | 286769 | BUTTONHOLE KICK-OUT SHAFT TRIP |
| 9 | 544211-010 | BUTTONHOLE ACTUATOR CAM ADJUSTING BRACKET SCREW |
| 10 | 313073 | BUTTONHOLE ACTUATOR CAM ADJUSTING BRACKET |
| 11 | 313022 | BUTTONHOLE FOLLOWER HUB RELEASE |
| 12 | 313023 | BUTTONHOLE FOLLOWER HUB RELEASE PIN |
| 13 | 313025 | BUTTONHOLE ACTUATOR CAM |
| 14 | 286865-451 | NEEDLE POSITION CONTROL LEVER & STITCH BALANCE CONTROL LEVER KNOB |
| 15 | 313005 | BUTTONHOLE DISC CONTROL CATCH RELEASE LING |
| 16 | 314763-451 | BUTTONHOLE TRIPPING ROD ADJUSTING AND LOCKING NUT |
| 17 | 312982 | BUTTONHOLE TRIPPING LEVER ROD |
| 19 | 354877-451 | BUTTONHOLE PIVOT LEVER SCREW |
| 20 | 286782 | BUTTONHOLE LEVER PIVOT |
| 21 | 312685 | BUTTONHOLE KICK-OUT SHAFT TRIPPING LEVER RETAINING RING |
| 23 | 317340 | SELF-ADHESIVE WIRE CLIP (FC-1) |
| 25 | 313799 | BUTTONHOLE ACTUATOR ADJUSTING ROD SPRING |

PATTERN, STITCH LENGTH CONTROL & CAM CONTROLLED FEED (CONT.)



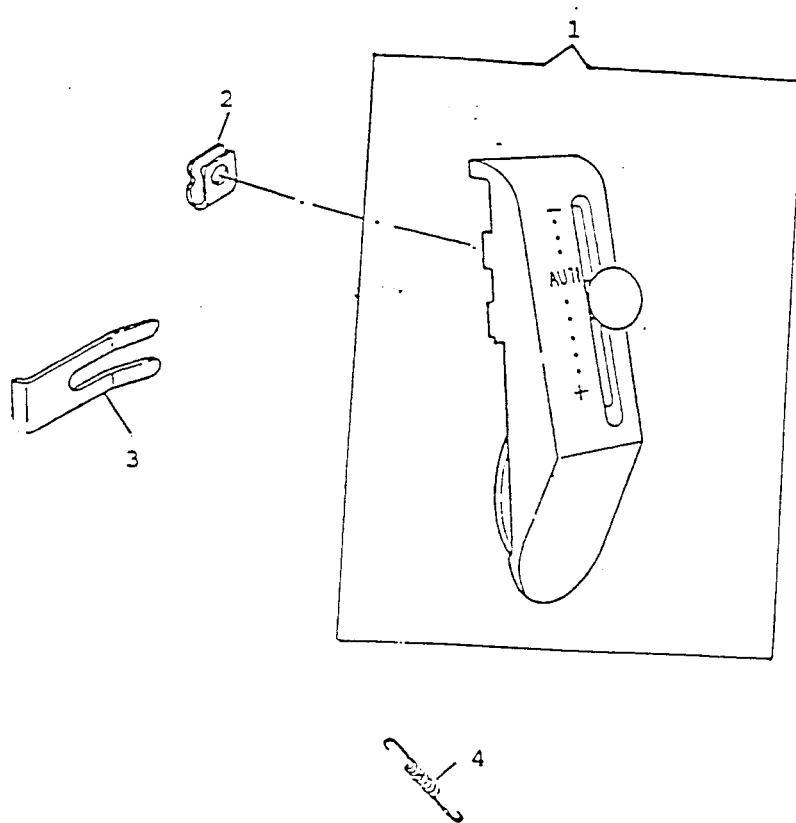
PATTERN, STITCH LENGTH CONTROL & CAM CONTROLLED FEED (CONT.)
MODEL: 7060N603

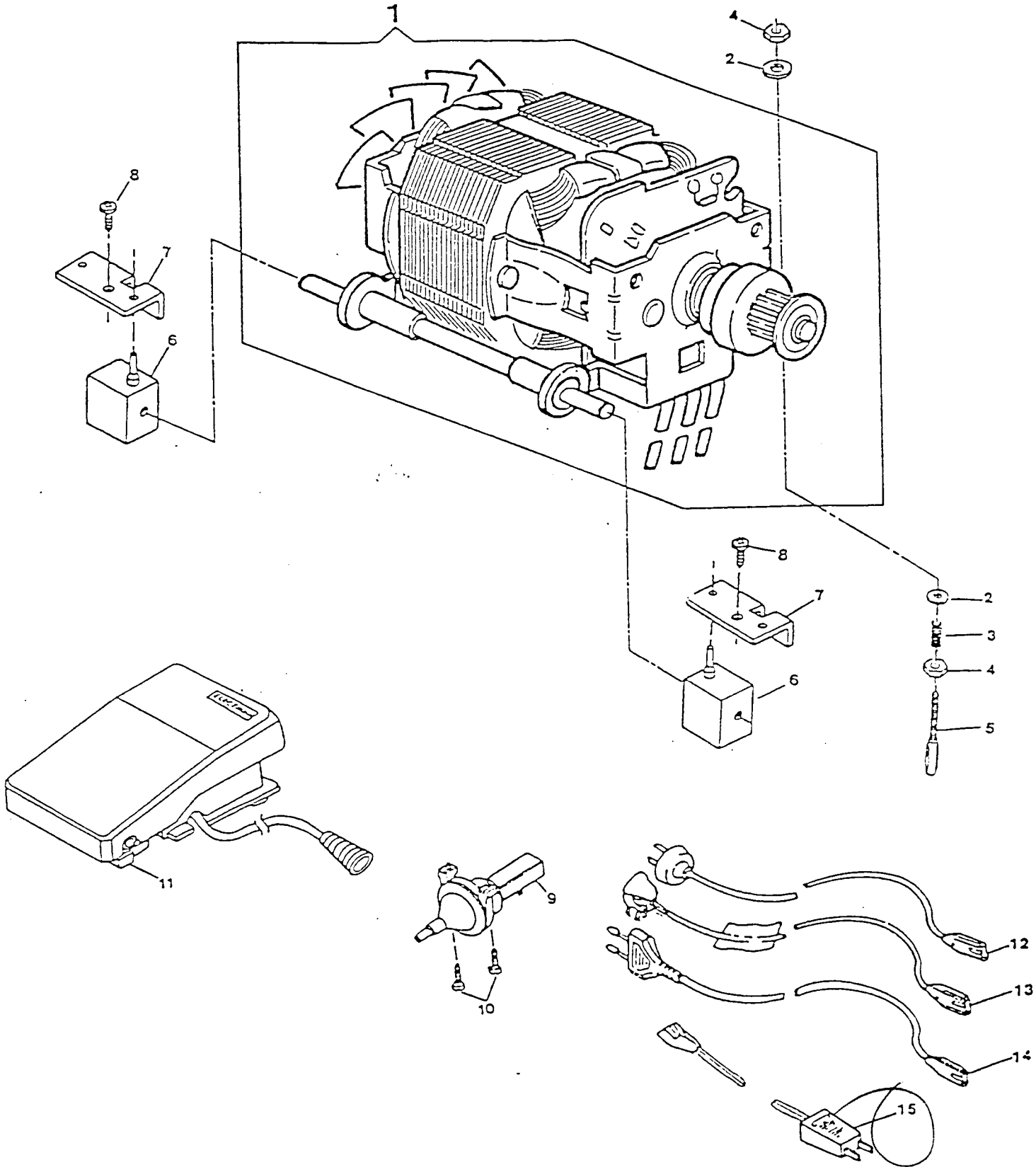
| REF. PART NO. | NO. | DESCRIPTION |
|------------------|------------|--|
| 1 | 286739 | REVERSE FEED CONTROL LEVER ASSEMBLY |
| 2 | 514674-451 | CAM CONTROLLED FEED CONNECTING ROD LOCKING NUT |
| 3 | 312645-451 | CAM CONTROLLED FEED DISC FOLLOWER ACTUATOR CONNECTING ROD ADJUSTING |
| 4 | 313143 | CAM CONTROLLED FEED DISC FOLLOWER ACTUATOR CONNECTING ROD SPRING |
| 5 | 312702 | FEED LEVER CONNECTING LINK RETAINING RING |
| 6 | 286597-001 | REVERSE FEED MACHANISM |
| 7 | 286598-002 | STITCH LENGTH CONTROL LEVER ASSEMBLY |
| 8 | 286710 | REVERSE FEED CONTROL LEVER CONNECTING PLATE ASSEMBLY |
| 9 | 312686 | RETAINING RING, REVERSE FEED COPNTROL LEVER CONNECTING PLATE |
| 11 | 286712 | REVERSE FEED CONTROL LEVER HINGE STUD |
| 12 | 314013-451 | DISC SELECTOR MECHANISM MOUNTING PLATE SCREW LOCK WASHER |
| 13 | 370451 | REVERSE FEED CONTROL LEVER CONNECTING PLATE RETURN SPRING |
| 14 | 313891-000 | CAM CONTROLLED FEED CONNECTING ROD STABILIZING WASHER |
| 15 | 313172-451 | STITCH LENGTH CONTROL LEVER PIVOT LOCK WASHER |
| 16 | 313177-451 | STITCH LENGTH CONTROL LEVER NUT |
| 17 | 286660-901 | REVERSE FEED CONTROL LEVER (SNOW WHITE) |

DEMAND RESPONSIVE NEEDLE TENSION SYSTEM
MODEL: 7060N603

| REF. PART NO. | PART NO. | DESCRIPTION |
|------------------|-------------|-----------------------------------|
| 1 | 286616-001 | THREAD TENSION MODULE |
| 2 | 313199 | TENSION COVER MOUNTING RETAINER |
| 3 | 313047-452 | TENSION COVER RETAINING CLIP |
| 4 | 317478 | GROUNDING SPRING (TENSION MODULE) |

DEMAND RESPONSIVE NEEDLE TENSION SYSTEM





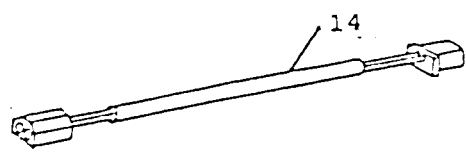
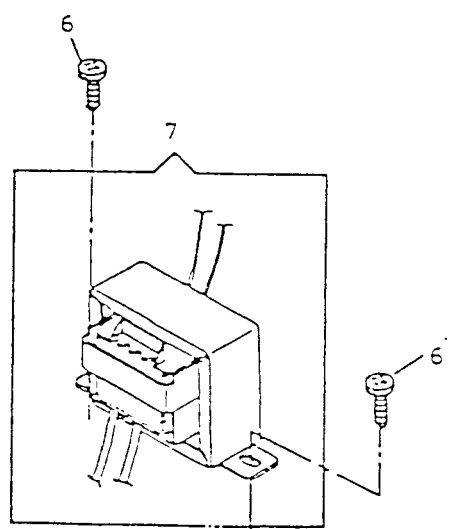
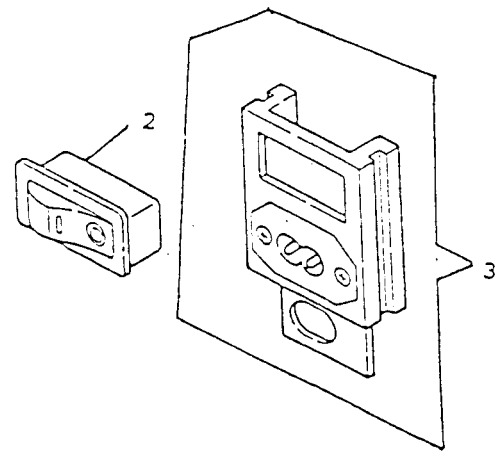
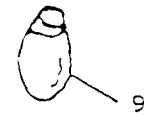
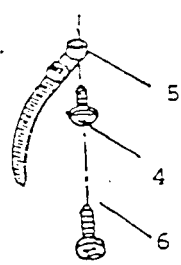
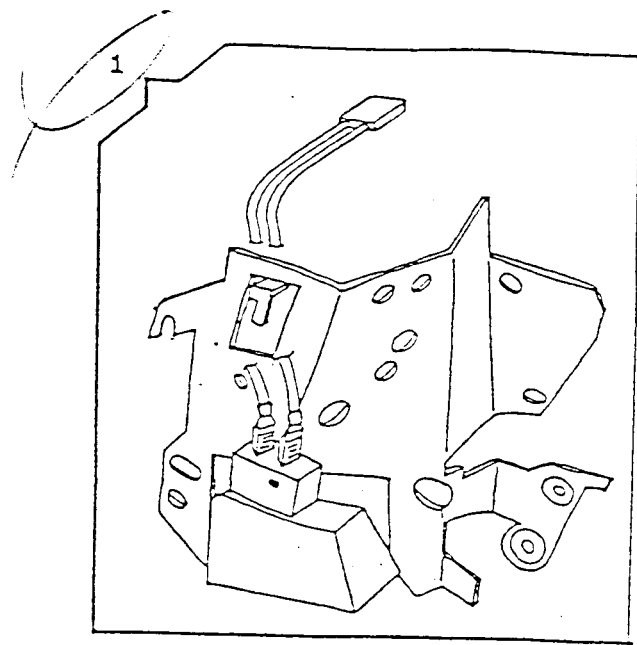
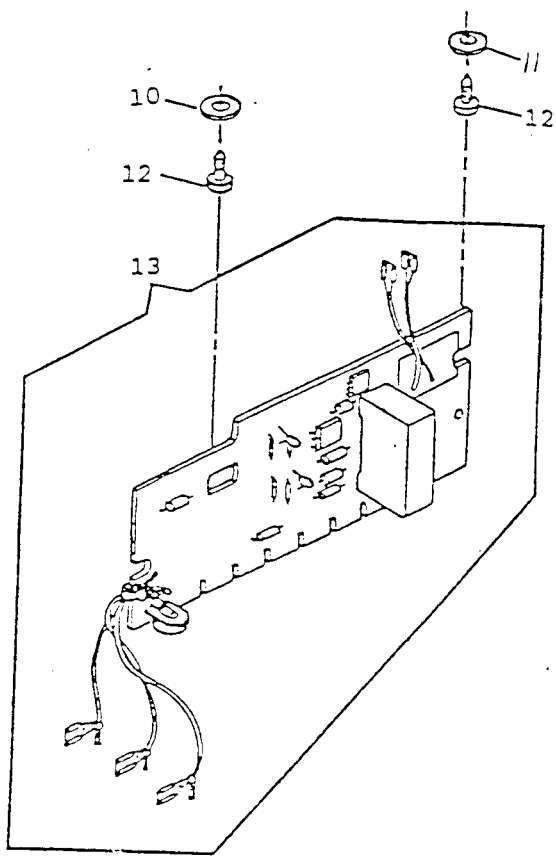
ELECTRICAL EQUIPMENT
MODEL: 7060N603

| REF. PART NO. | PART NO. | DESCRIPTION |
|------------------|-------------|--|
| 1 | 988529-022 | MOTOR COMPLETE (120 VOLT) |
| 2 | 37969 | MOTOR ADJUSTING STUD NUT WASHER |
| 3 | 314058 | MOTOR BELT TENSION SPRING |
| 4 | 53646 | MOTOR ADJUSTING STUD NUT |
| 5 | 988653-001 | MOTOR ADJUSTING STUD |
| 6 | 979329-001 | RESILIENT MOUNT |
| 7 | 988651-001 | CLIP |
| 8 | 113470-004 | MOTOR MOUNTING SCREW |
| 9 | 988549-005 | PNEUMATIC TRANSDUCER |
| 10 | 113444-003 | PNEUMATIC TRANSDUCER MOUNTING SCREW |
| 11 | 979583-003 | PNEUMATIC CONTROLLER ASSEMBLY |
| 15 | 988638-009 | APPLIANCE COUPLER (120 VOLT) FOR (U.S.A. & CANADA) |

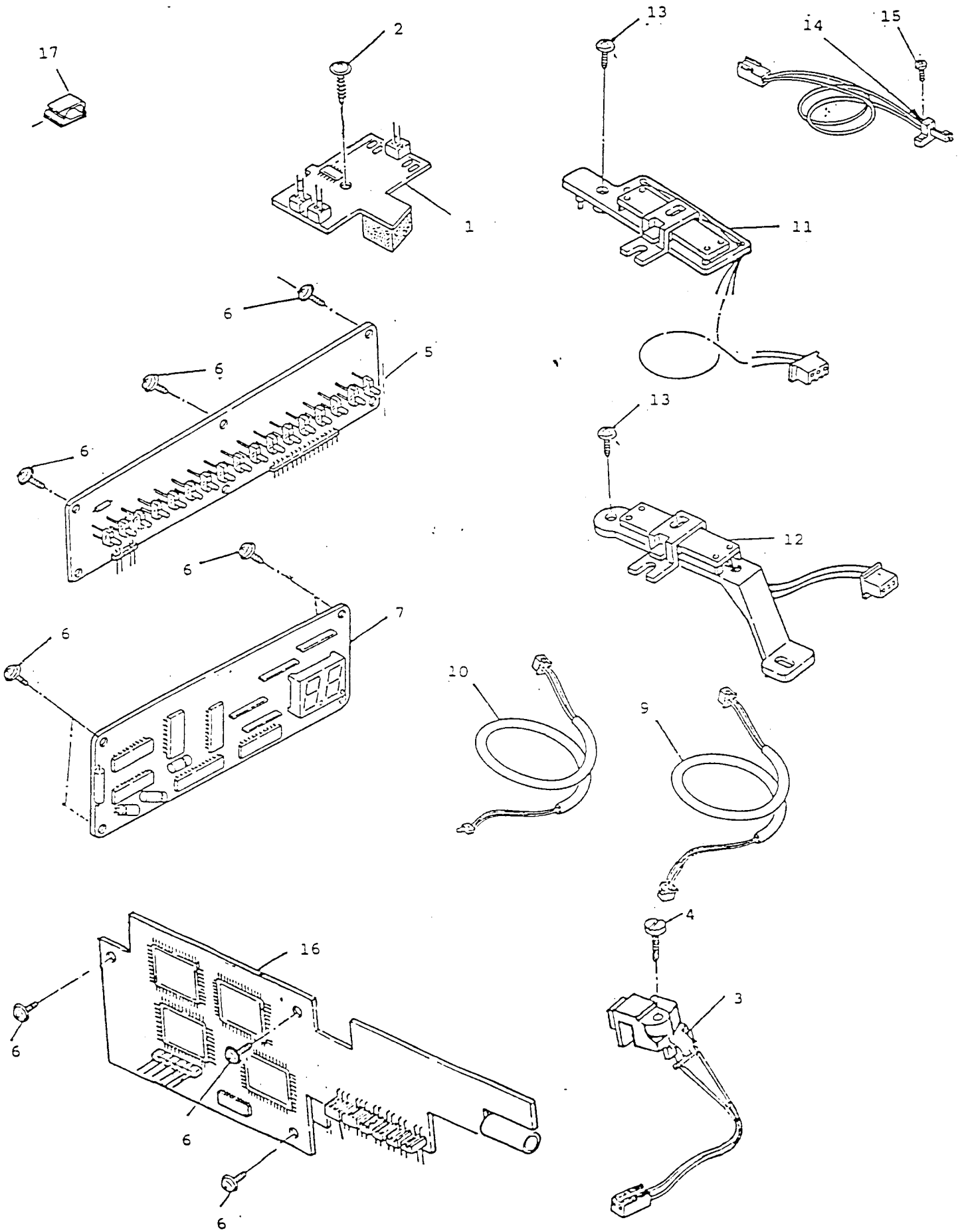
ELECTRICAL EQUIPMENT (CONT.)
MODEL: 7060N603

| REF. PART NO. NO. | DESCRIPTION |
|-------------------------|--|
| 1 317095-002 | LINT AND HEAD SHIELD ASSEMBLY |
| 2 979585-006 | ROCKER SWITCH |
| 3 286751 | APPLIANCE COUPLER HOLDER ASSEMBLY |
| 4 113455-002 | SCREW, CABLE TID MOUNTING |
| 5 604690-001 | SELF LOCKING NYLON CABLE TIE |
| 6 113455-003 | SCREW, CABLE TIE MOUNTING AND TRANSFORMER MOUNTING |
| 7 317347-201 | TRANSFORMER ASSEMBLY WITH LEAD (LCD 120V) |
| 9 979603-001 | WEDGE BULB |
| 10 979547-001 | WASHER, P.C. BOARD MOUNTING SCREW |
| 11 988547-002 | WASHER, P.C. BOARD MOUNTING SCREW |
| 12 113444-001 | SCREW, P.C. BOARD MOUNTING |
| 13 979584-201 | SPEED CONTROL P.C. BOARD ASSEMBLY (120V) |
| 14 317350-002 | EXTENSION LEADS WITH HOUSING PLUG (TRANSFORMER) |
| 15 137813-002 | SCREW, LINT AND HEAT SHIELD MOUNTING |

ELECTRICAL EQUIPMENT



ELECTRICAL EQUIPMENT (CONT.)



ELECTRICAL EQUIPMENT (CONT.)
MODEL: 7060N603

| REF. PART NO. NO. | DESCRIPTION |
|----------------------|--|
| 1 988529-022 | MOTOR COMPLETE (120 VOLT) |
| 2 37969 | MOTOR ADJUSTING STUD NUT WASHER |
| 3 314058 | MOTOR BELT TENSION SPRING |
| 4 53646 | MOTOR ADJUSTING STUD NUT |
| 5 988653-001 | MOTOR ADJUSTING STUD |
| 6 979329-001 | RESILIENT MOUNT |
| 7 988651-001 | CLIP |
| 8 113470-004 | MOTOR MOUNTING SCREW |
| 9 988549-005 | PNEUMATIC TRANSDUCER |
| 10 113444-003 | PNEUMATIC TRANSDUCER MOUNTING SCREW |
| 11 979583-003 | PNEUMATIC CONTROLLER ASSEMBLY |
| 15 988638-009 | APPLIANCE COUPLER (120 VOLT) FOR (U.S.A. & CANADA) |