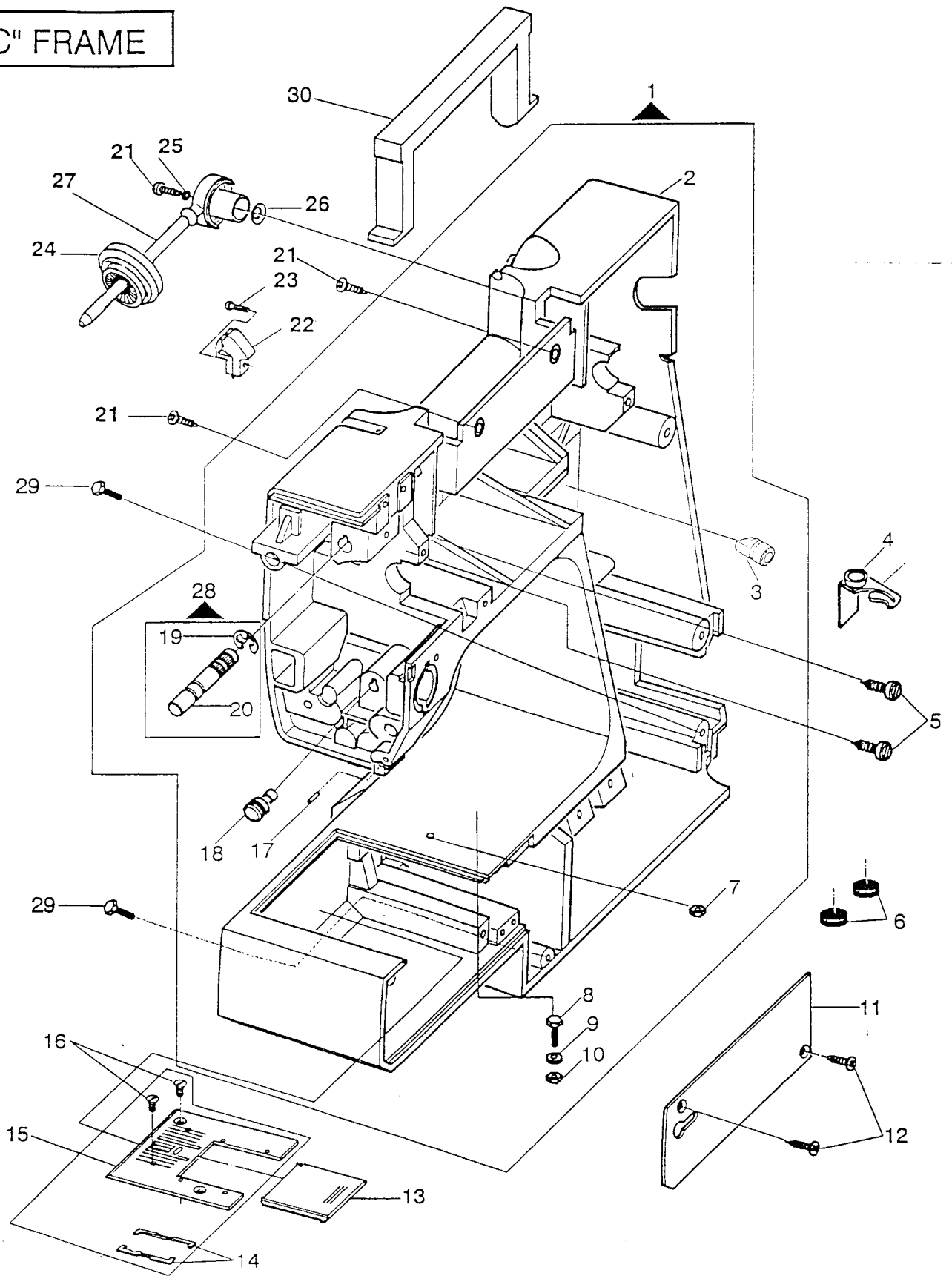


SINGER
6305/6310/6314/6318

"C" FRAME



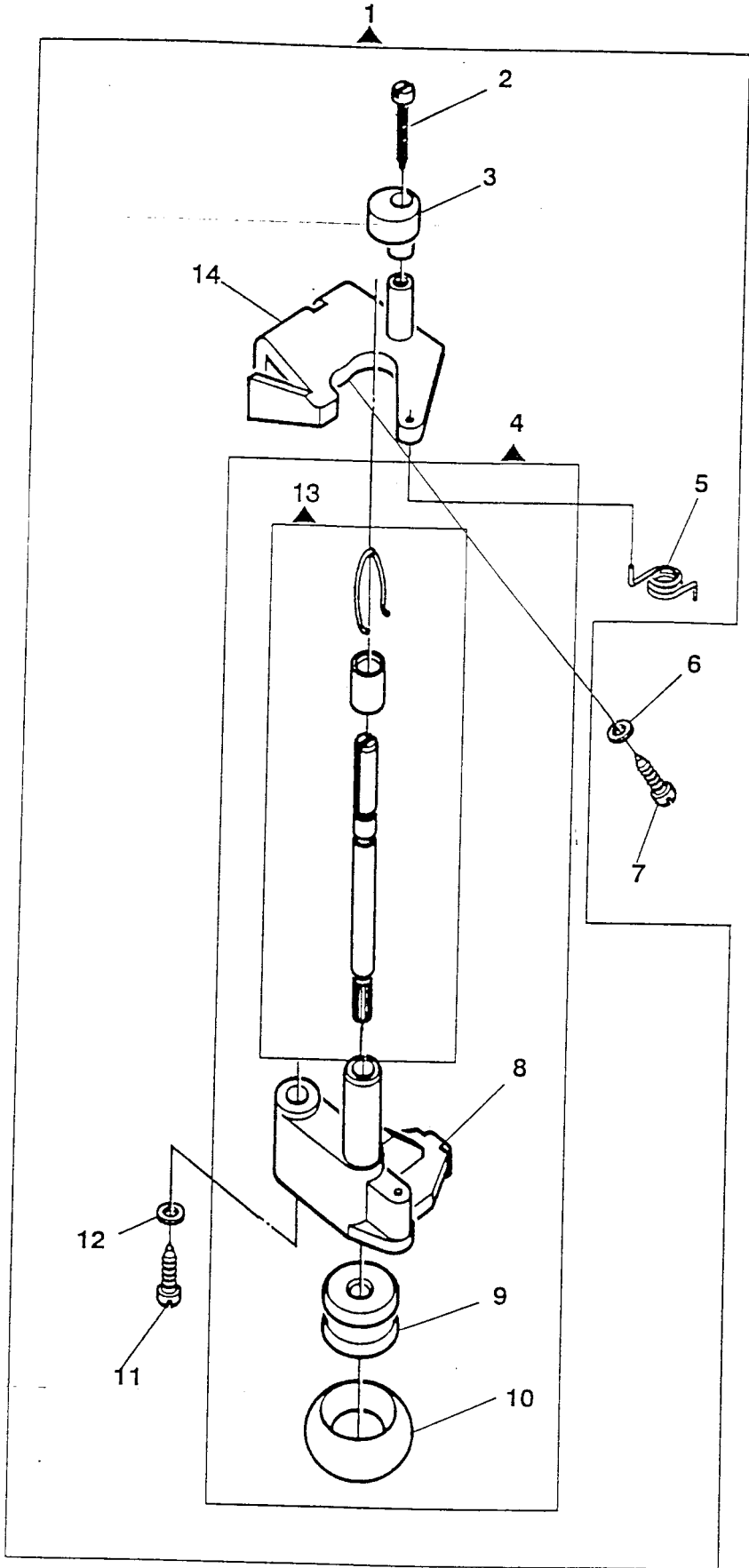
REV.: _____
DATE: ____/____/____

PART LIST
"C" FRAME

REF. PART NBR	DESCRIPTION	6	6	6	6
		3	3	3	3
		0	1	1	1
		5	0	4	8
01	357299-451 "C" FRAME COMPLETE	X	X	X	X
02	357133-901 "C" FRAME PAINTED	X	X	X	X
03	357292-000 GEAR SUPPORT SHAFT ADJUSTING BUSHING	X	X	X	X
04	356047-000 BOBBIN WINDER TENSION COMPLETE	X	X	X	X
05	113455-001(2) TENSION MECHANISM SET SCREW	X	X	X	X
06	357147-451(2) BED CUSHION	X	X	X	X
07	313049-000 BED INSERT NUT	X	X	X	X
08	355250-451 BED (BOTTOM) COVER AND CABINET BOLT	X	X	X	X
09	353375-451 BOTTOM COVER SET SCREW WASHER	X	X	X	X
10	514608-000 BED (BOTTOM) COVER AND CABINET BOLD NUT	X	X	X	X
11	357132-451 "C" FRAME ROTATING HOOK COVER	X	X	X	X
12	531807-452 FEED REGULATOR MOUNTING PLATE SCREW	X	X	X	X
13	357191-000 ROTATING HOOK BOBBIN VISOR	X	X	X	X
14	357192-900 (2) ROTATING HOOK BOBBIN VISOR GUIDE	X	X	X	X
15	357190-900 THROAT PLATE FOR ZIG-ZAG	X	X	X	X
16	355264-451(2) THROAT PLATE SET SCREW	X	X	X	X
17	357304-000 THREAD GUIDE LOWER	X	X	X	X
18	446358-001 TENSION RELEASING LEVER HINGE PIN	X	X	X	X
19	353215-000 THREAD TAKE-UP LEVER RETAINING RING	X	X	X	X
20	446375-000 THREAD TAKE-UP LEVER LINK HINGE STUD	X	X	X	X
21	355263-451(3) FRONT COVER AND SPOOL PIN SET SCREW	X	X	X	X
22	357176-900 "C" FRAME THREAD GUIDE	X	X	X	X
23	356116-452 FRONT COVER THREAD GUIDE SET SCREW	X	X	X	X
24	179967-461 FRICTION FREE SPOOL HOLDER	X	X	X	X
25	353573-000 SPOOL PIN SCREW WASHER	X	X	X	X
26	357137-000 SPOOL PIN WASHER	X	X	X	X
27	357135-451 "C" FRAME SPOOL PIN	X	X	X	X
28	353623-000 THREAD TAKE-UP LEVER PIN WITH RETAINING RING	X	X	X	X
29	355265-451 (2) FRONT COVER SET SCREW	X	X	X	X
30	357131-451 MACHINE HANDLE (PLASTIC)	X	X	X	X

6300 SERIES PARTS LIST
REV. N° _____

BOBBIN WINDER



REV.: _____
DATE: ___/___/___

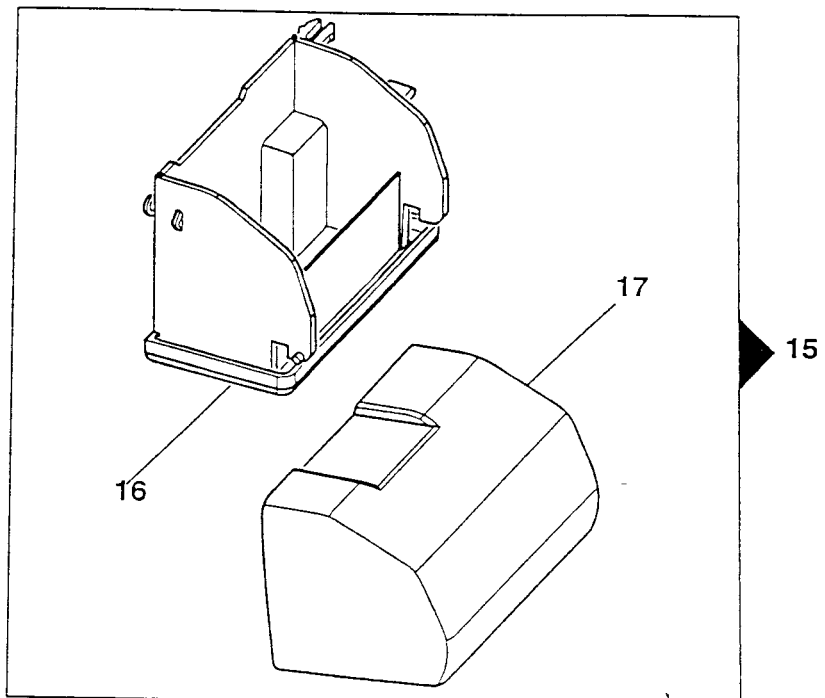
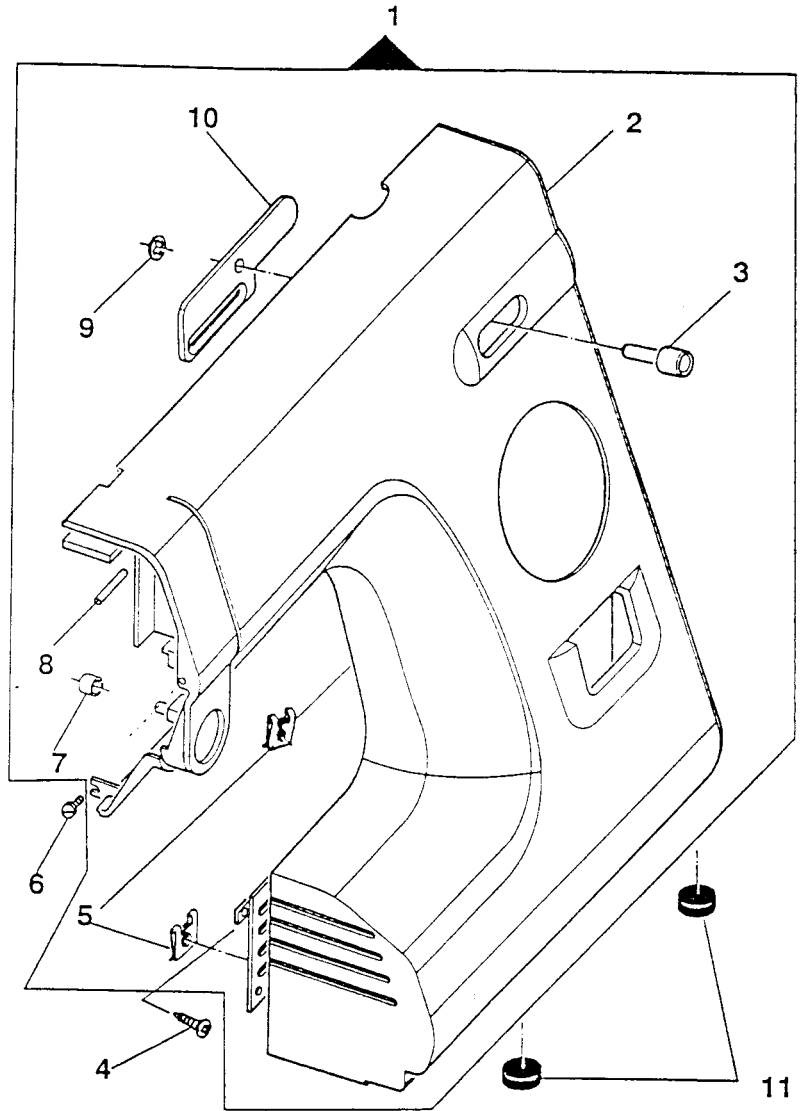
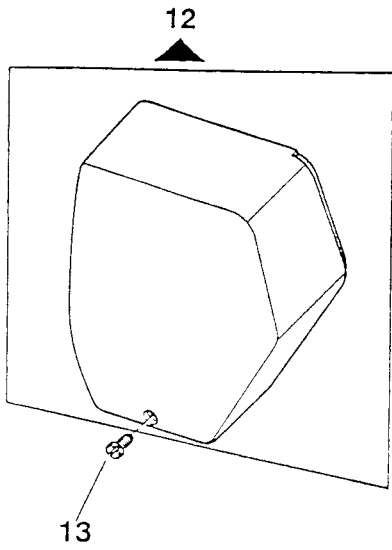
PART LIST
BOBBIN WINDER

6 6 6 6
3 3 3 3
0 1 1 1
5 0 4 8

REF. PART NBR	DESCRIPTION					
01	357316-451	BOBBIN WINDER COMPLETE	X	X	X	X
02	604800-001	BOBBIN WINDING STOP SCREW	X	X	X	X
03	357144-000	BOBBIN WINDER STOP (PLASTIC)	X	X	X	X
04	357145-451	BOBBIN WINDER SUB-ASSEMBLY	X	X	X	X
05	357143-000	BOBBIN WINDER SPRING	X	X	X	X
06	445765-000	BOBBIN WINDER LEVER BRACKET SET SCREW WASHER	X	X	X	X
07	113455-001	BOBBIN WINDER LEVER BRACKET SET SCREW	X	X	X	X
08	357140-451	BOBBIN WINDER LEVER (PLASTIC)	X	X	X	X
09	44440-001	BOBBIN WINDER PULLEY	X	X	X	X
10	15287-701	BOBBIN WINDER FRICTION RING (RUBBER)	X	X	X	X
11	113375-451	BOBBIN WINDER SET SCREW	X	X	X	X
12	446138-000	BOBBIN WINDER SET SCREW WASHER	X	X	X	X
13	357139-451	BOBBIN WINDER SPINDLE SUB-ASS'Y	X	X	X	X
14	357141-000	BOBBIN WINDER LEVER SUPPORT	X	X	X	X

6300 SERIES PARTS LIST
REV. N° _____

COVERS



REV.: _____
DATE: / /

PART LIST
COVERS

6 6 6 6
3 3 3 3
0 1 1 1
5 0 4 8

REF. PART NBR

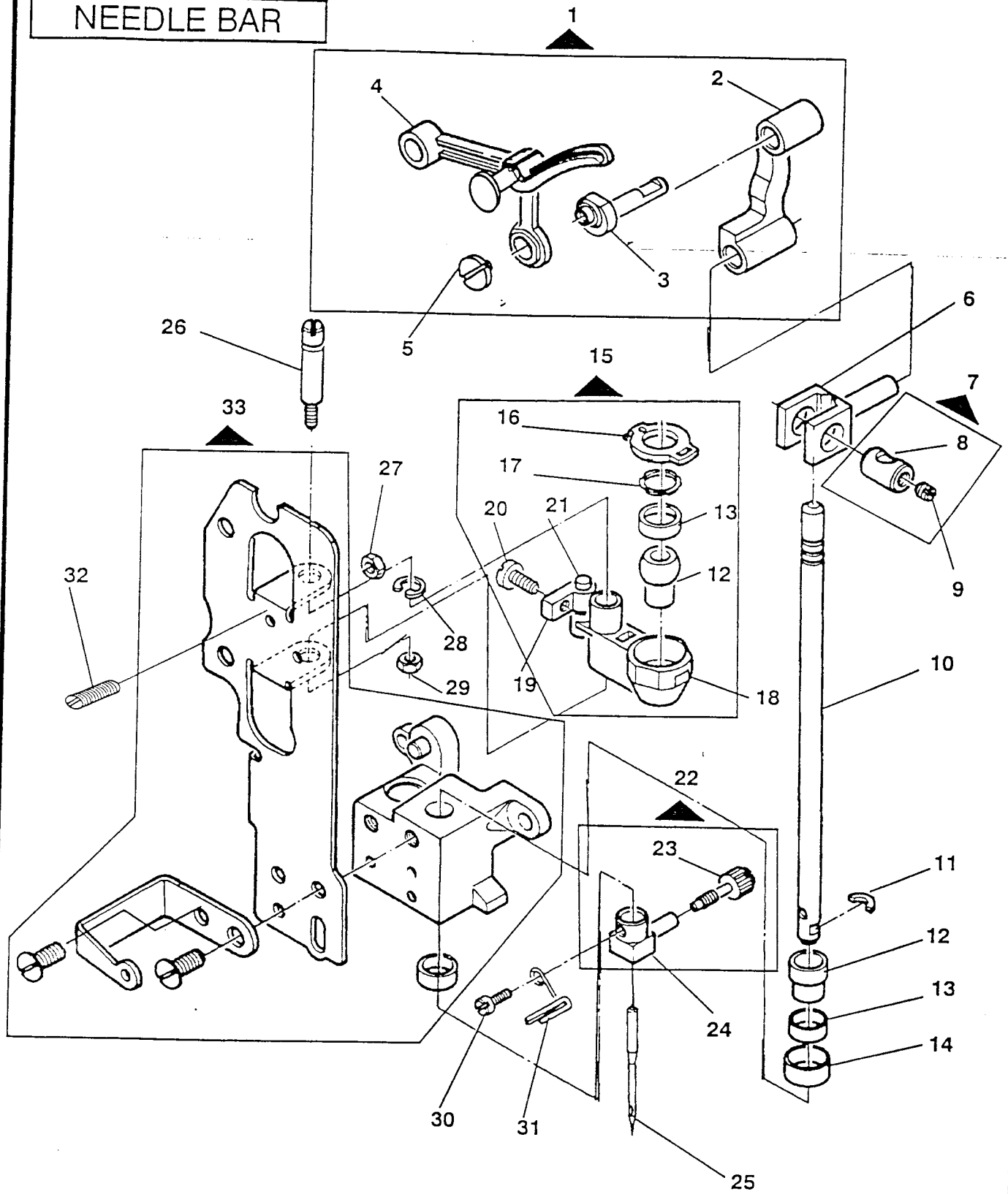
DESCRIPTION

REF. PART NBR	DESCRIPTION					
*01	357247-XXX	FRONT COVER COMPLETE	X	X	X	X
*02	357295-XXX	FRONT COVER (WITH GRAPHIS)	X	X	X	X
03	357252-900	BIGHT AMPLITUDE CONTROL LEVER KNOB	X	X	X	X
04	354810-451	FRONT COVER SET SCREW	X	X	X	X
05	357232-000 (2)	FRONT COVER FIXED QUICK NUT	X	X	X	X
06	531631-451	FRONT COVER SET SCREW	X	X	X	X
07	356127-000	COMPRESSION RING	X	X	X	X
08	357088-900	THREAD GUIDE COVER PIN	X	X	X	X
09	446417-000	CONTROL LEVER BUTTON RETAINING RING	X	X	X	X
10	357148-900	ZIG-ZAG BUTTON GUIDE	X	X	X	X
11	357147-451 (2)	BED CUSHION	X	X	X	X
12	357296-451	FACE PLATE COMPLETE	X	X	X	X
13	354133-453	FACE PLATE SCREW	X	X	X	X
14	357149-451	ATTACHMENT BOX ASSEMBLY	X	X	X	X
15	357127-900	ATTACHMENT BOX BASE	X	X	X	X
16	357128-900	ATTACHMENT BOX COVER	X	X	X	X

(*) WHEN YOU ORDER THIS PART, PLEASE INFORM THE MACHINE MODEL NUMBER.

6300 SERIES PARTS LIST
REV. N° _____

NEEDLE BAR



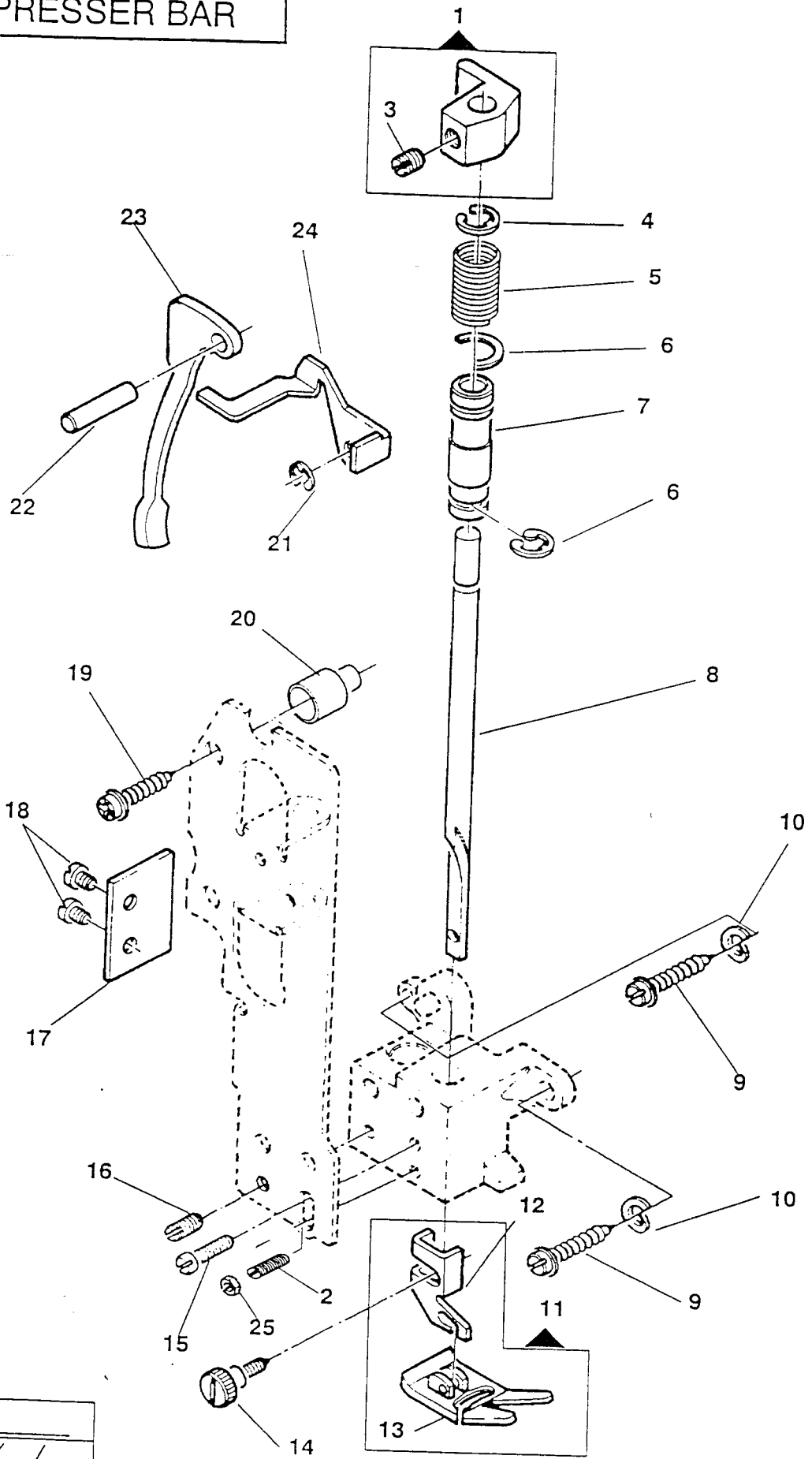
REV.: _____
DATE: / /

PART LIST
NEEDLE BAR

6 6 6 6
3 3 3 3
0 1 1 1
5 0 4 8

REF. PART NBR	DESCRIPTION				
01	357420-000	THREAD TAKE-UP COMPLETE			
02	446357-000	NEEDLE BAR CONNECTING LINK	X	X	X X
03	357282-000	THREAD TAKE-UP CRANK	X	X	X X
04	357153-000	THREAD TAKE-UP LEVER ASSEMBLY	X	X	X X
05	354689-451	THREAD TAKE-UP LEVER CAP SCREW	X	X	X X
06	353549-000	NEEDLE BAR CONNECTING STUD	X	X	X X
07	37932-000	NEEDLE BAR CONNECTING STUD RING PIN WITH SCREW	X	X	X X
08	37931-000	NEEDLE BAR CONNECTING STUD HINGE PIN	X	X	X X
09	141916-833	NEEDLE BAR VIBRATING BRACKET PIN SCREW	X	X	X X
10	445793-000	NEEDLE BAR	X	X	X X
11	37943-000	NEEDLE BAR GIB	X	X	X X
12	446355-001 (2)	NEEDLE BAR BALL BUSHING (UPPER)	X	X	X X
13	507379-000 (2)	NEEDLE BAR BALL BUSHING (UPPER) SOCKET (LOWER)	X	X	X X
14	446361-001	NEEDLE BAR BALL BUSHING (LOWER) ADJUSTING COLLOR	X	X	X X
15	353520-000	NEEDLE BAR VIBRATING BRACKET COMPLETE	X	X	X X
16	353522-000	NEEDLE BAR BALL BUSHING (UPPER) RETAINING RING	X	X	X X
17	353424-000	NEEDLE BAR BALL BUSHING (UPPER) WAVED WASHER	X	X	X X
18	353521-000	NEEDLE BAR VIBRATING BRACKET	X	X	X X
19	446190-000	NEEDLE BAR DRIVING ARM HINGE BRACKET	X	X	X X
20	141844-451	NEEDLE BAR DRIVING ARM HINGE BRACKET SCREW	X	X	X X
21	37935-000	NEEDLE BAR DRIVING ARM HINGE BRACKET HINGE PIN	X	X	X X
22	353631-000	NEEDLE CLAMP BODY WITH SCREW	X	X	X X
23	355248-451	NEEDLE SET SCREW	X	X	X X
24	353630-000	NEEDLE CLAMP BODY	X	X	X X
25	204514-100	NEEDLE 2045 SIZE NBR 14	X	X	X X
26	446359-000	NEEDLE BAR VIBRATING BRACKET HINGE PIN	X	X	X X
27	618638-005	STOP SCREW NUT	X	X	X X
28	445721-000	NEEDLE BAR VIBRATING BRACKET HINGE PIN RETAINING RING	X	X	X X
29	357093-451	VIBRATING BRACKET PIN NUT	X	X	X X
30	141808-457	NEEDLE SUPPORT SET SCREW	X	X	X X
31	353629-000	NEEDLE CLAMP THREAD GUIDE	X	X	X X
32	355267-451	VIBRATING BRACKET STOP SCREW	X	X	X X
33	356599-000	NEEDLE BAR & PRESSER BAR HOUSING ASSEMBLY	X	X	X X

PRESSER BAR



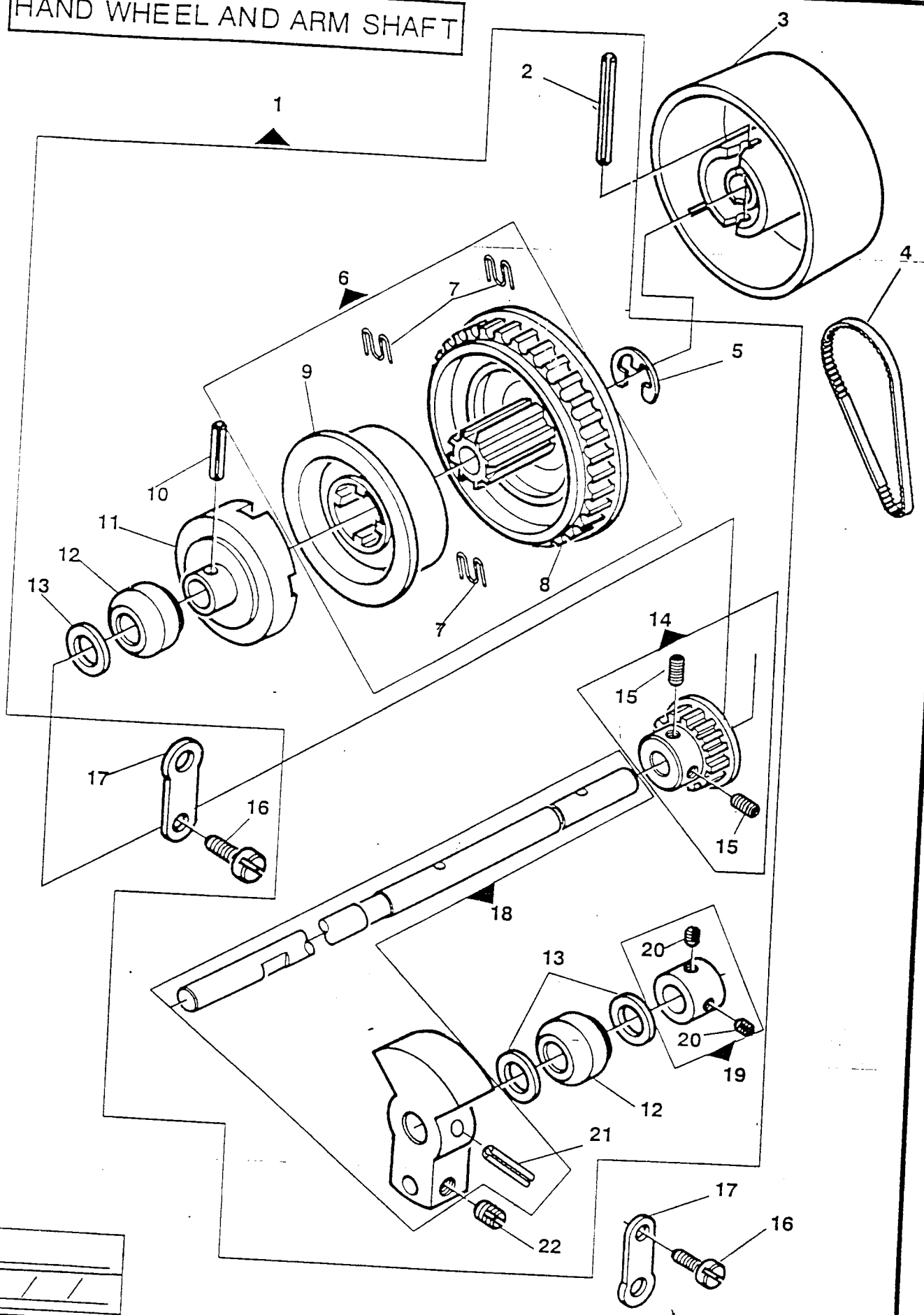
REV.: _____
DATE: / /

PART LIST
PRESSER BAR

REF. PART NBR	DESCRIPTION	6	6	6	6
		3	3	3	3
		0	1	1	1
		5	0	4	8
01	353212-000				
02	354993-451				
03	141925-833				
04	353215-000				
05	353214-000				
06	353252-000 (2)				
07	445947-001				
08	314638-000				
09	113434-451 (2)				
10	353375-451 (2)				
11	446372-000				
12	155964-000				
13	446371-000				
14	354135-451				
15	354906-451				
16	141938-833				
17	446353-000				
18	141913-451 (2)				
19	113455-009				
20	531627-000				
21	445486-000				
22	446354-451				
23	356170-451				
24	445925-000				
25	54591-451				

6300 SERIES PARTS LIST
REV. N° _____

HAND WHEEL AND ARM SHAFT



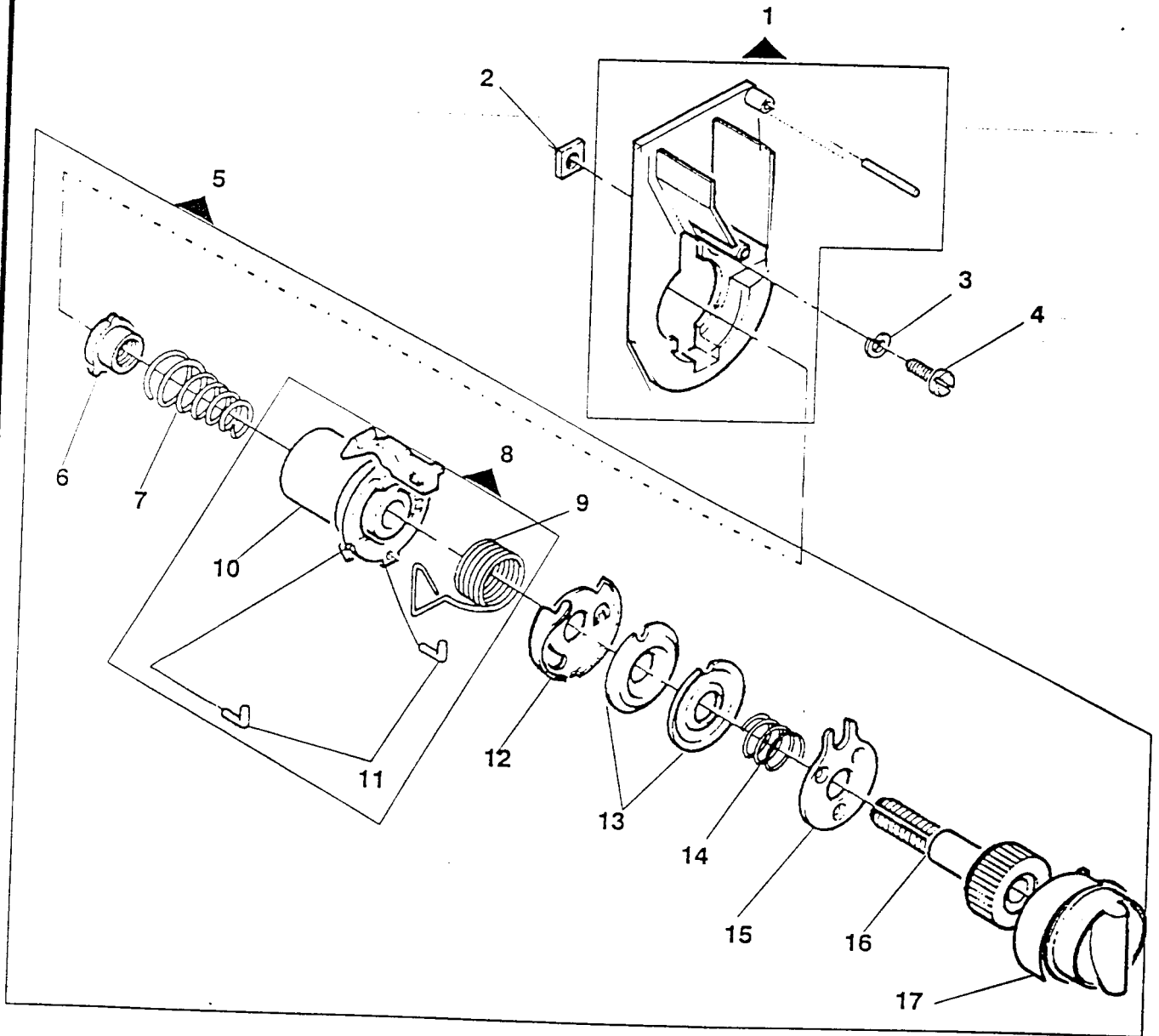
REV.: _____
DATE: / /

PART LIST
HAND WHEEL AND ARM SHAFT

REF.	PART NBR	DESCRIPTION	6	6	6	6
			3	3	3	3
			0	1	1	1
			5	0	4	8
01	357319-000	ARM SHAFT COMPLETE				
02	357173-000	HAND WHEEL LOCK ELASTIC PIN	X	X	X	X
03	357174-451	HAND WHEEL (PLASTIC)	X	X	X	X
04	37977-000	DRIVE BELT	X	X	X	X
05	44371-000	DISC FOLLOWER STUD RETAINING RING	X	X	X	X
06	357172-000	HAND WHEEL DECLUTCHING	X	X	X	X
07	357170-000 (3)	HAND WHEEL DISENGAGING BRACKET	X	X	X	X
08	357171-000	HAND WHEEL DISENGAGING BELT DRIVE PULLEY	X	X	X	X
09	357167-000	HAND WHEEL DISENGAGING BRACKET	X	X	X	X
10	357169-000	HAND WHEEL DISENGAGING GUIDE SUPPORT LOCK ELAST. PIN	X	X	X	X
11	357168-900	HAND WHEEL DISENGAGING GUIDE SUPPORT	X	X	X	X
12	357155-000 (2)	"C" FRAME SHAFT BUSHING	X	X	X	X
13	357157-000 (3)	"C" FRAME SHAFT RETAINING COLLOR WASHER	X	X	X	X
14	357318-000	ARM SHAFT BELT DRIVE PULLEY	X	X	X	X
15	354906-451 (2)	SHAFT FRAME PULLEY SET SCREW	X	X	X	X
16	113455-001 (2)	ARM SHAFT BUSHING (REAR) RETAINING BKT. SCREW	X	X	X	X
17	357158-900 (2)	"C" FRAME SHAFT (HORIZONTAL UPPER)	X	X	X	X
18	357160-000	ARM SHAFT WITH CRANK	X	X	X	X
19	357317-000	ARM SHAFT END PLAY BUSHING	X	X	X	X
20	113500-451 (2)	SHAFT FRAME COLLAR SET SCREW	X	X	X	X
21	445898-000	NEEDLE BAR CRANK ELASTIC PIN	X	X	X	X
22	354105-833	THREAD TAKE-UP LINK PIN SET SCREW	X	X	X	X

6300 SERIES PARTS LIST
REV. N° _____

TENSION MECHANISM



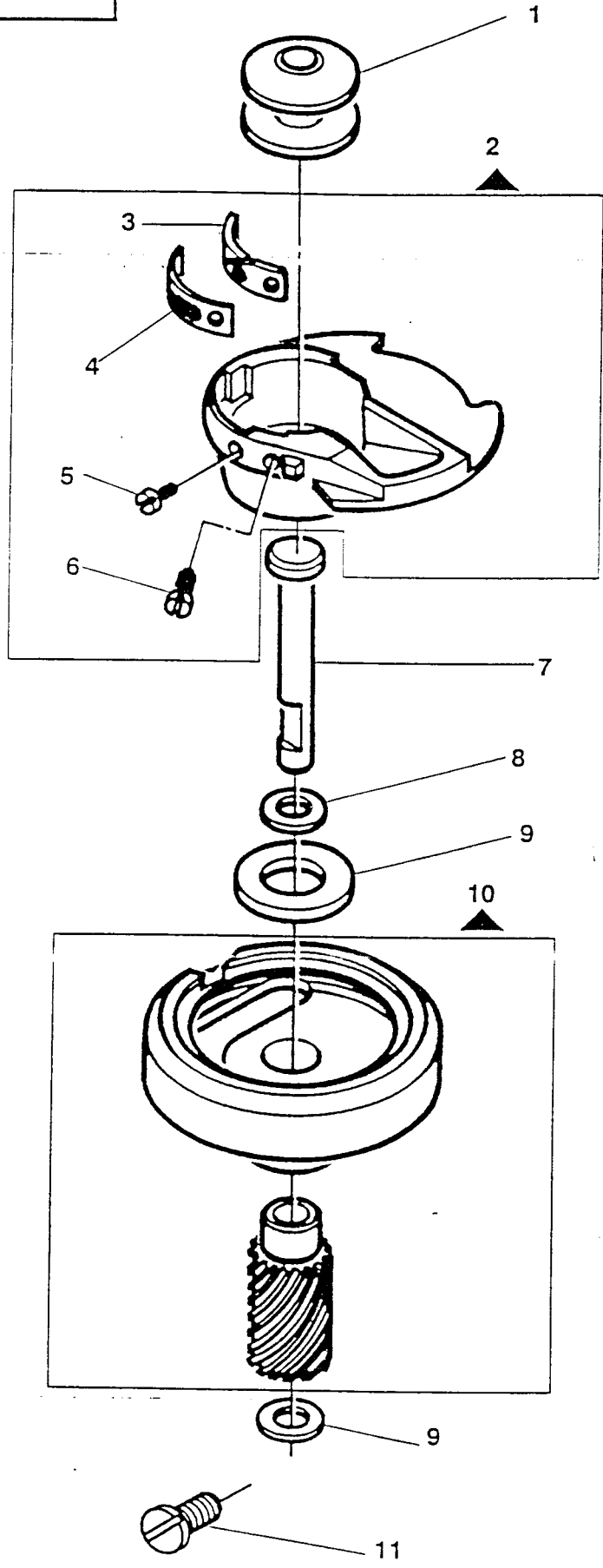
REV.: _____
DATE: / /

PART LIST
TENSION MECHANISM

REF.	PART NBR	DESCRIPTION	6	6	6	6
			3	3	3	3
			0	1	1	1
			5	0	4	8
01	357175-451	TENSION THREAD GUIDE ASSEMBLY	X	X	X	X
02	514698-451	SLACK THREAD REGULATOR & TENSION THREAD GUIDE SCREW NUT	X	X	X	X
03	356443-000	TENSION MECHANISM SHROUDER SCREW WASHER	X	X	X	X
04	355236-451	TENSION MECHANISM SHROUDER SCREW	X	X	X	X
05	357411-451	TENSION MECHANISM COMPLETE	X	X	X	X
06	356095-000	TENSION STUD NUT	X	X	X	X
07	356096-000	TENSION SPRING	X	X	X	X
08	357417-000	TENSION MECHANISM SUPPORT ASSEMBLY	X	X	X	X
09	356097-000	THREAD TAKE-UP SPRING	X	X	X	X
10	356089-000	TENSION MECHANISM SUPPORT	X	X	X	X
11	356246-900 (2)	TENSION MECHANISM SUPPORT PIN	X	X	X	X
12	356091-000	THREAD TAKE-UP SPRING THREAD GUARD	X	X	X	X
13	356094-000 (2)	TENSION DISC	X	X	X	X
14	356216-000	TENSION DISC PRESSURE PLATE SPRING	X	X	X	X
15	356177-000	TENSION DISC PRESSURE PLATE	X	X	X	X
16	356092-451	TENSION INDICATOR WITH STUD	X	X	X	X
17	357284-451	TENSION INDICATOR DIAL	X	X	X	X

6300 SERIES PARTS LIST
REV. N° _____

ROTATING HOOK



REV.: _____
DATE: ____/____/____

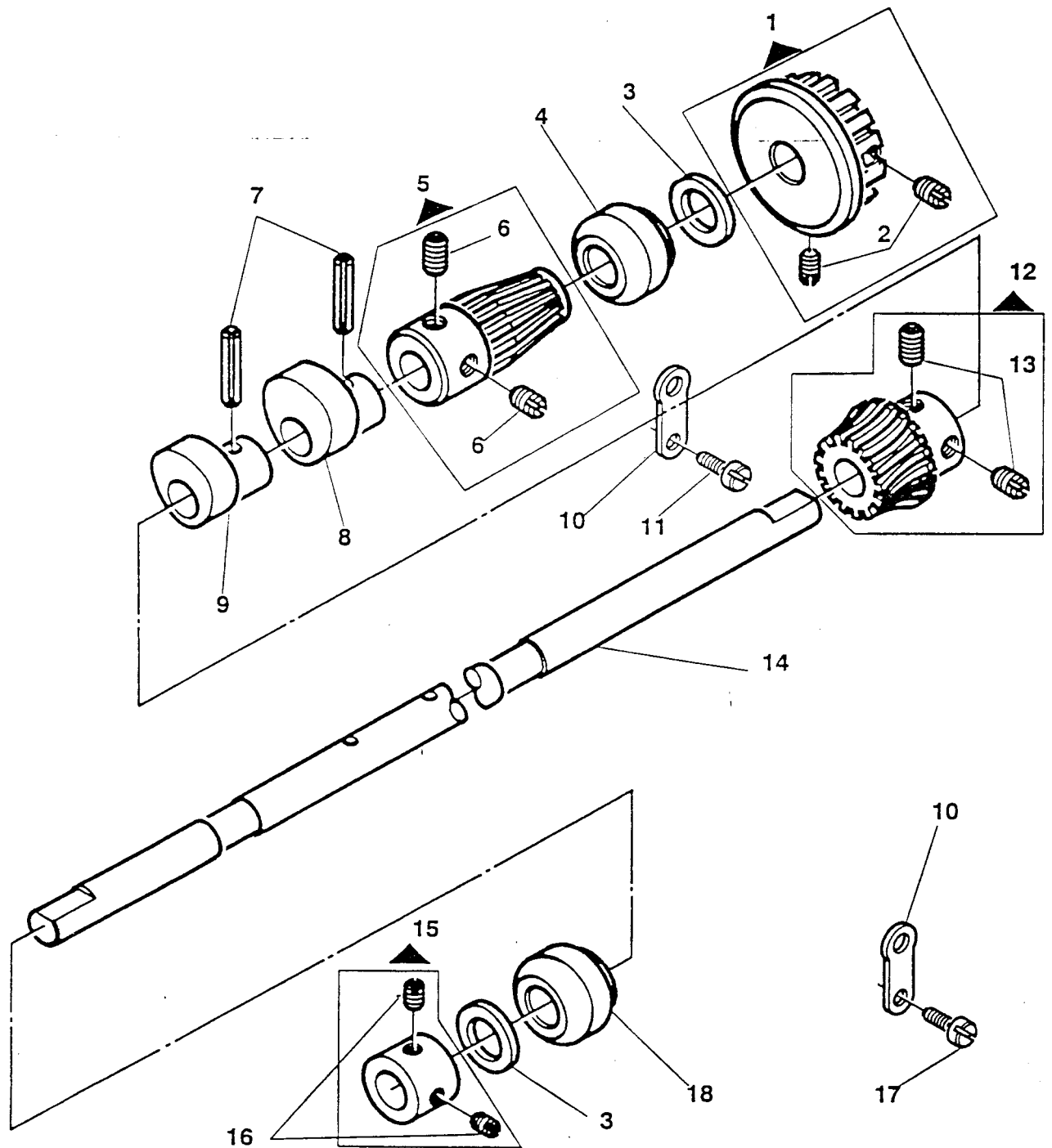
PART LIST
 ROTATING HOOK

6 6 6 6
 3 3 3 3
 0 1 1 1
 5 0 4 8

REF. PART NBR	DESCRIPTION				
01	357294-000	ROTATING HOOK BOBBIN (PLASTIC)	X	X	X X
02	357186-000	ROTATING HOOK BOBBIN CASE COMPLETE	X	X	X X
03	356490-451	ROTATING HOOK BOBBIN CASE TENSION SPRING SEGMENT	X	X	X X
04	314715-000	ROTATING HOOK BOBBIN CASE TENSION SPRING	X	X	X X
05	355254-451	ROTATING HOOK BOBBIN CASE TENSION REGULATING SCREW	X	X	X X
06	139975-452	ROTATING HOOK BOBBIN CASE TENSION SPRING SEGMENT SCREW	X	X	X X
07	357179-000	ROTATING HOOK ARTICULATION PIN	X	X	X X
08	357273-000 (2)	ROTATING HOOK WASHER	X	X	X X
09	357183-000	ROTATING HOOK PERMANENT MAGNET	X	X	X X
10	357182-000	ROTATING HOOK WITH GEAR	X	X	X X
11	354906-451	SCREW	X	X	X X

6300 SERIES PARTS LIST
 REV. N° _____

ROTATING HOOK & FEED LIFTING DRIVE



REV.: _____
DATE: / /

PART LIST

ROTATING HOOK & FEED LIFTING DRIVE

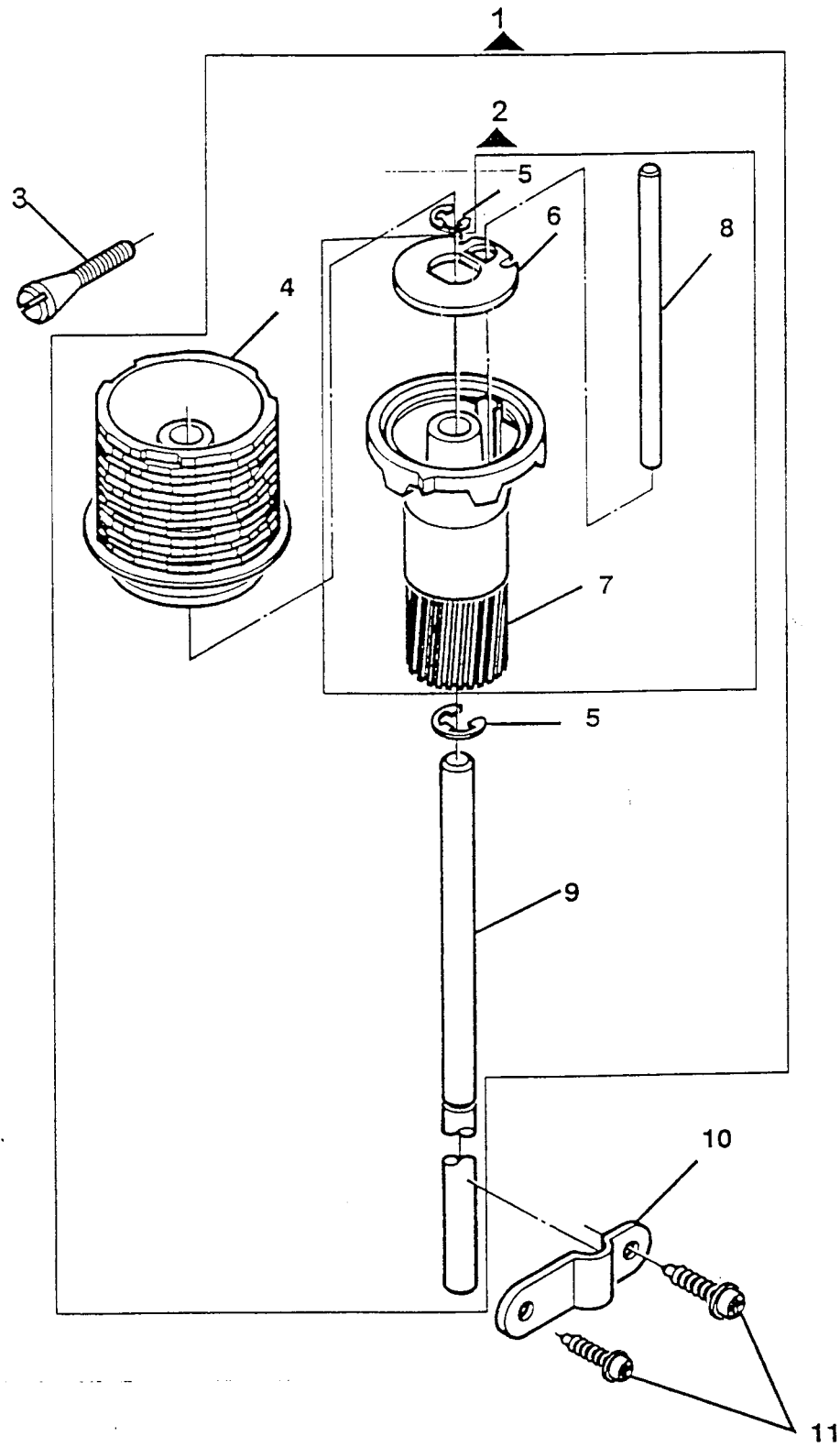
6	6	6	6
3	3	3	3
0	1	1	1
5	0	4	8

REF.	PART NBR	DESCRIPTION				
01	357401-000	R.H. & DISC STACK DRIVING SHAFT PULLEY WITH SCREW	X	X	X	X
02	141938-833 (2)	ROTATING HOOK BUSHING SET SCREW	X	X	X	X
03	357157-000 (2)	"C" FRAME SHAFT RETAINING COLLAR WASHER	X	X	X	X
04	357414-000	"C" FRAME SHAFT BUSHING (RIGHT)	X	X	X	X
05	357416-000	R.H. & DISC STACK DRIVING SHAFT GEAR CYLINDRICAL (RIGHT)	X	X	X	X
06	113500-451 (2)	HOOK SHAFT SUPPORTER BUSHING SET SCREW	X	X	X	X
07	357169-000 (2)	FEED CAM RETAINING RING	X	X	X	X
08	357272-000	FEED CAM	X	X	X	X
09	357271-000	FEED LIFTING CAM	X	X	X	X
10	357156-000 (2)	"C" FRAME SHAFT BUSHING RETAINING BRACKET	X	X	X	X
11	113455-001	ARM SHAFT BUSHING (REAR) RETAINING BRACKET SCREW	X	X	X	X
12	357403-000	R.H. & DISC STACK DRIVING SHAFT GEAR (LEFT) WITH SCREW	X	X	X	X
13	141916-833 (2)	R.H. & DISC STACK DRIVING SHAFT GEAR (LEFT) SET SCREW	X	X	X	X
14	357164-000	ROTATING HOOK & DISC STACK DRIVING SHAFT	X	X	X	X
15	357317-000	"C" FRAME SHAFT RETAINING COLLAR WITH SCREW	X	X	X	X
16	113500-451 (2)	FRAME SHAFT COLLAR SCREW	X	X	X	X
17	354633-451	BUSHING RETAINING SUPPORT SCREW	X	X	X	X
18	357155-000	ROTATING HOOK SHAFT BUSHING (LEFT)	X	X	X	X

6300 SERIES PARTS LIST

REV. N° _____

CAM STACK



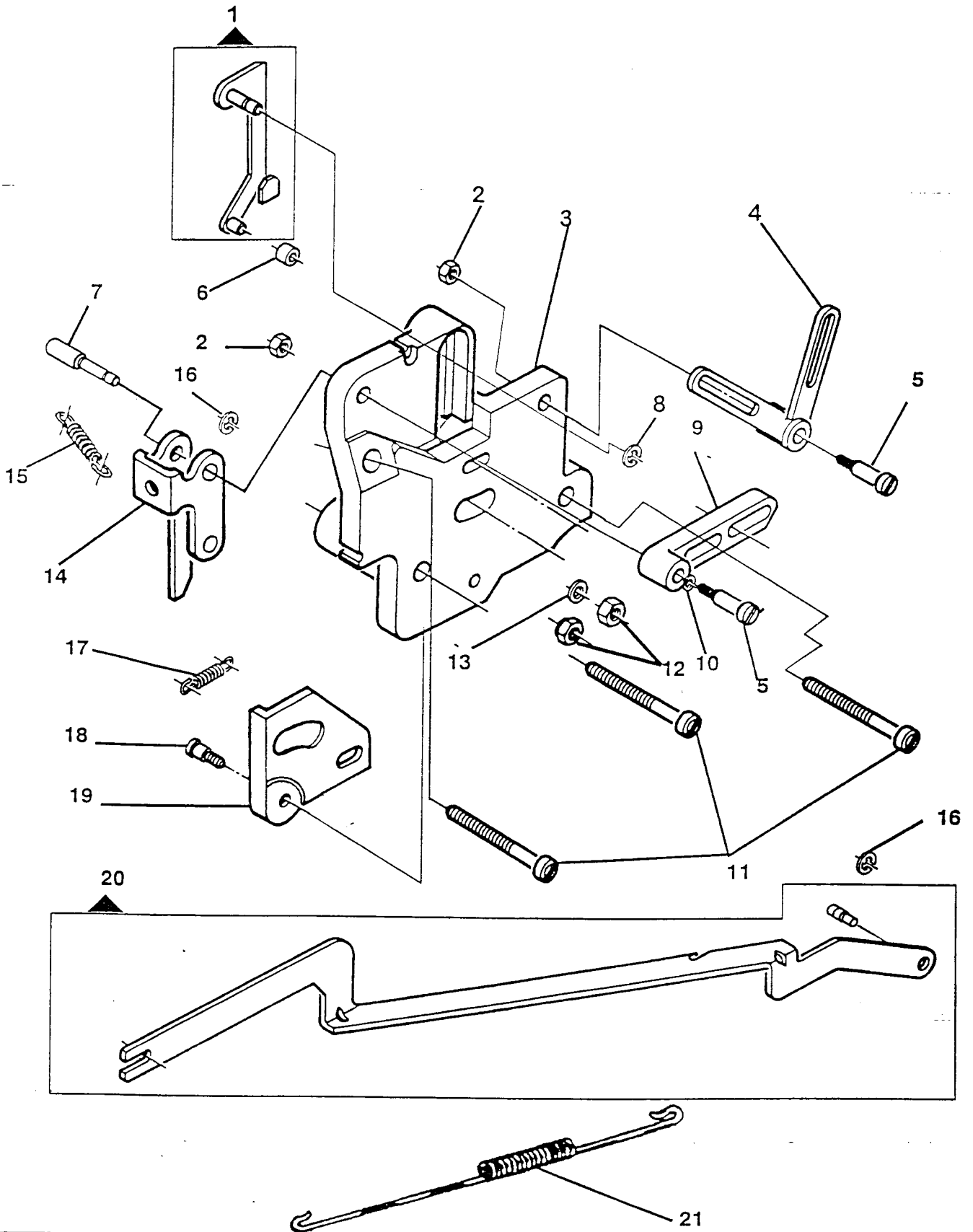
REV.: _____
DATE: / /

PART LIST
CAM STACK

REF. PART NBR	DESCRIPTION	6	6	6	6
		3	3	3	3
		0	1	1	1
		5	0	4	8
01	357227-000 DISC DRIVING GEAR COMPLETE	X	X	X	X
02	357405-000 DISC DRIVING GEAR ASSEMBLY	X	X	X	X
03	355258-451 DISC STACK & DISC STACK DRIV.GEAR SUPP. SHAFT ADJ. SCREW	X	X	X	X
04	357283-000 DISC STACK	X	X	X	X
05	353215-000 (2) FEED DISC GEAR RETAINING RING	X	X	X	X
06	357225-000 CAM CONTROLLED FEED AND DISC STACK DRIV.GEAR COVER PLATE	X	X	X	X
07	357224-000 CAM CONTROLLED FEED AND DISC STACK DRIVING GEAR	X	X	X	X
08	357226-000 DISC STACK GUIDE STUD	X	X	X	X
09	357222-000 DISC STACK AND DISC STACK DRIVING GEAR	X	X	X	X
10	357404-000 DISC DRIVING GEAR SHAFT CLAMP	X	X	X	X
11	113455-001 (2) SHAFT GEAR RETAINING SCREW	X	X	X	X

6300 SERIES PARTS LIST
REV. N° _____

PATTERN SELECTOR



REV.: _____
DATE: ____/____/____

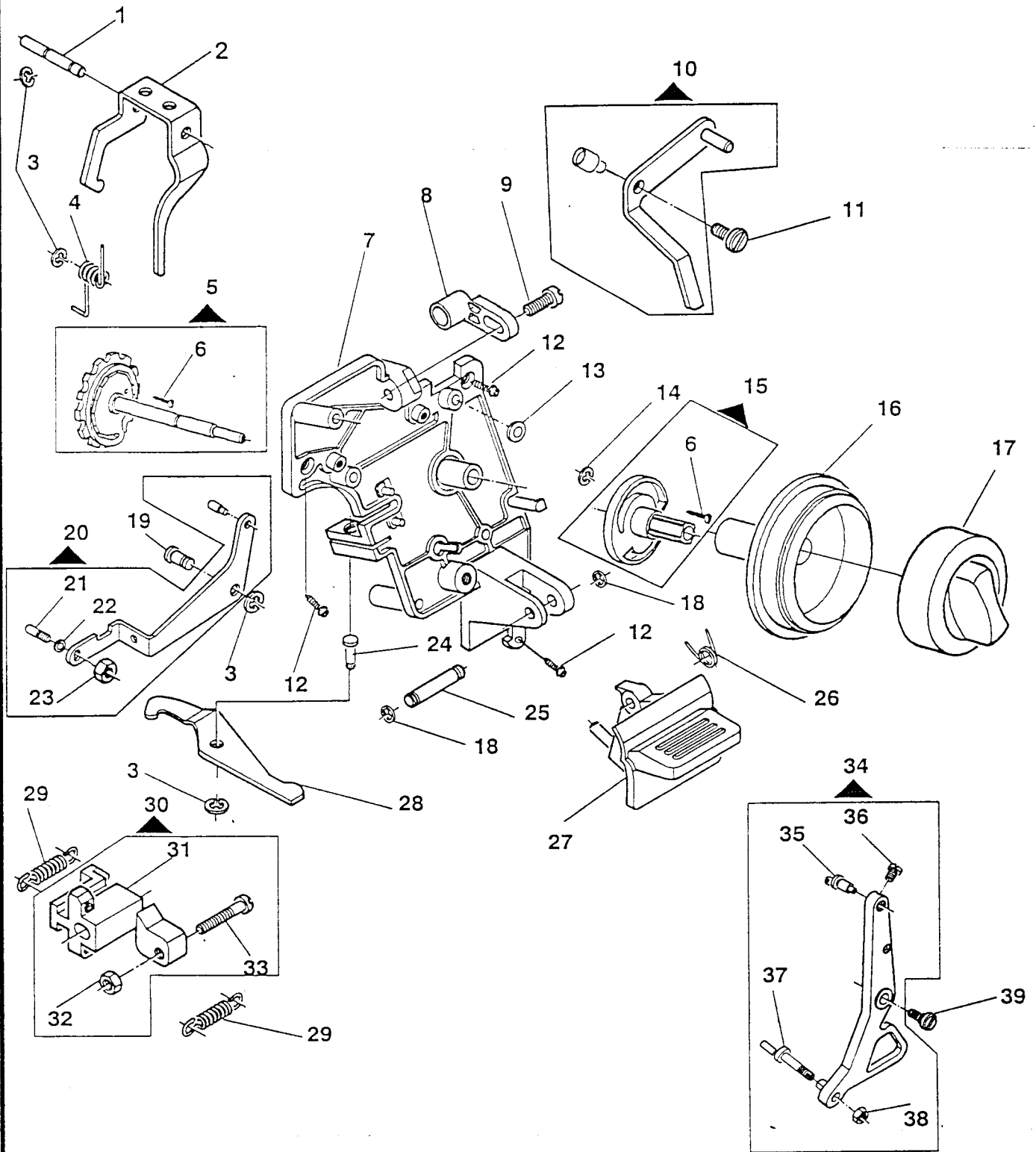
PART LIST
PATTERN SELECTOR

6 6 6 6
3 3 3 3
0 1 1 1
5 0 4 8

REF.	PART NBR	DESCRIPTION				
01	357243-000	BIGHT A.C.L.M.B. GUIDE PLATE WITH PIN	X	X	X	X
02	618638-005 (2)	HING SCREW NUT	X	X	X	X
03	357228-900	BIGHT AMPLITUDE CONTROL LEVER MOUNTING SUPPORT	X	X	X	X
04	357234-900	BIGHT AMPLITUDE CONTROL LEVER	X	X	X	X
05	355240-451 (2)	NEEDLE BAR DRIVING ARM SLIDE HINGE SCREW	X	X	X	X
06	357230-000	BIGHT AMPLITUDE CONTROL LEVER MTG.BKT.ROLLER	X	X	X	X
07	357288-000	BIGHT A.C.L.M.B. SLIDE PLATE ARTICULATION ON PIN	X	X	X	X
08	445721-000	SUPPORT GUIDE RETAINING RING	X	X	X	X
09	357303-000	BIGHT AMPLITUDE CONTROL LEVER LINK	X	X	X	X
10	49204-000	FEED REGULATING SCREW FRICTION WASHER	X	X	X	X
11	354975-451 (3)	ASSEMBLY SUPPORT SET SCREW	X	X	X	X
12	357307-451 (2)	NUT	X	X	X	X
13	356830-003	FEED REGULATOR POSITIONING WASHER	X	X	X	X
14	357233-000	BIGHT AMPLITUDE CONTROL LEVER MTG.BKT.SLIDE PLATE	X	X	X	X
15	357152-000	BIGHT AMPLITUDE CONTROL LEVER MTG.BKT.SLIDE PLATE ACT.SPR.	X	X	X	X
16	357154-000 (2)	BIGHT AMPLIT.CONTROL LEVER MTG.BKT. RET.RING	X	X	X	X
17	357240-000	BIGHT AMPLITUDE CONTROL LEVER BKT. ACTUAT. SPRING	X	X	X	X
18	357231-900	BIGHT AMPLITUDE CONTROL BKT. ARTICUL. STUD.	X	X	X	X
19	357229-000	BIGHT AMPLITUDE CONTROL LEVER	X	X	X	X
20	357302-000	NEEDLE BAR DRIVING ARM ASSEMBLY	X	X	X	X
21	357238-000	NEEDLE BAR DRIVING ARM TENSION SPRING	X	X	X	X

6300 SERIES PARTS LIST
REV.N° _____

PATTERN SELECTOR MODULE



REV.: _____
 DATE: ____/____/____

PART LIST
PATTERN SELECTOR MODULE

6 6 6 6
3 3 3 3
0 1 1 1
5 0 4 8

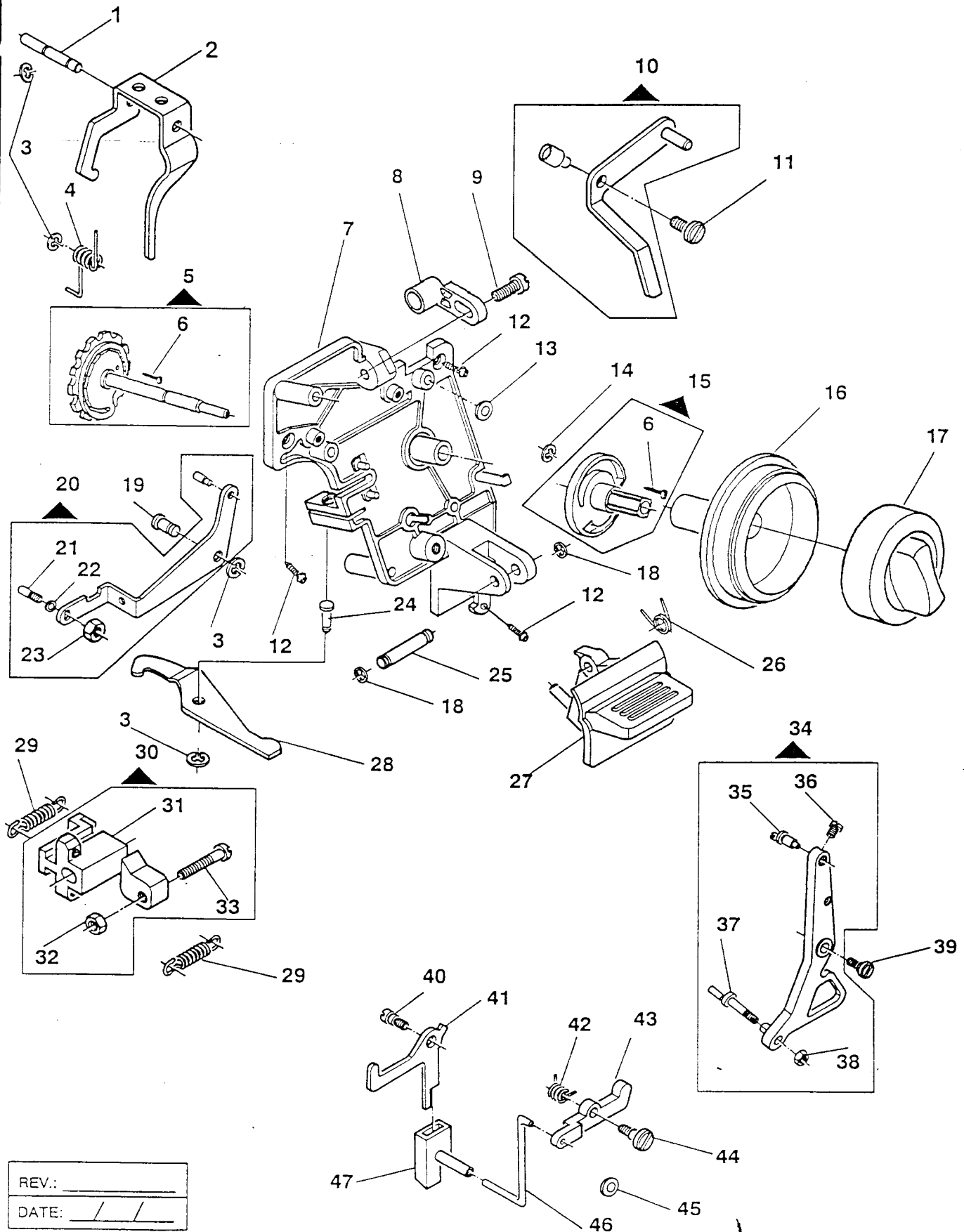
REF. PART NBR

DESCRIPTION

REF. PART NBR	DESCRIPTION				
01	357203-000	BUTTONHOLER NEEDLE POSITION CAM FOLLOWER LEVER ART.PIN	X		
02	357202-000	BUTTONHOLER AND NEEDLE POSITION CAM FOLLOWER LEVER	X		
03	445721-000 (4)	FEED REGULATOR POSIT. PIN FRICTION SPRING RETAIN. RING	X		
04	357239-000	BUTTONHOLER AND NEEDLE POSITION CAM FOLLOW. LEVER SPR.	X		
05	357407-002	PATTERN SELECTOR CAM ASSEMBLY	X		
06	355247-451 (2)	CAM STOP SCREW	X		
07	357194-901	PATTERN SELECTOR MECHANISM SUPPORT	X		
08	531630-000	BELT TENSIONER	X		
09	354833-451	BELT TENSIONER SCREW	X		
10	357301-000	DISC FOLLOWER ENGAGING AND DISENGAGING	X		
11	355260-451	DISC FOLLOWER ENG.AND DISEN.LEVER ARTICUL. SCREW STUD	X		
12	113455-009 (3)	PATTERN SELECTOR MECH. SUPPORT SCREW	X		
13	548061-000	PATTERN SELECTOR MECH. SUPPORT WASHER	X		
14	444921-000	PATTERN SELECTOR CAM RETAINING RING	X		
15	357410-000	BUTTONHOLER AND FEED REGULATOR CONTROL CAM	X		
16	357254-452	BUTTONHOLER AND FEED REGULATOR CONTROL CAM/DIAL	X		
17	357253-453	PATTERN SELECTOR CAM/DIAL	X		
18	445486-000 (2)	REVERSE BUTTON HINGE PIN RETAINING RING	X		
19	357201-000	DISC STACK POSITIONING CONTROL LEVER ARTICULATION PIN	X		
20	357200-000	DISC STACK POSITIONING CONTROL LEVER ASSEMBLY	X		
21	357198-000	DISC STACK POSITIONING ADJUSTING STUD	X		
22	446138-000	POSITIONING ADJUST DISCS PIN WASHER	X		
23	357307-451	POSITIONING ADJUST DISCS PIN NUT	X		
24	357205-000	DISC FOLLOWER ARTICULATION PIN	X		
25	357249-000	REVERSE FEED BUTTON ARTICULATION PIN	X		
26	357248-000	REVERSE FEED BUTTON ACTUATING SPRING	X		
27	357250-900	REVERSE FEED BUTTON	X		
28	357204-000	DISC FOLLOWER	X		
29	357208-000 (2)	DISC FOLLOWER DISENGAGING BRACKET SPRING	X		
30	357305-000	DISC FOLLOWER DISENGAGING BRACKET SPRING ASSEMBLY	X		
31	357206-000	DISC FOLLOWER DISENGAGING BRACKET	X		
32	54591-451	DISC FOLLOWING DESINGAGING BRACKET SCREW NUT	X		
33	113370-451	DISC FOLLOWING DESINGAGING BRACKET SCREW	X		
34	357212-000	FEED REGULATOR POSITIONING CONTROL LEVER ASSEMBLY	X		
35	357211-000	FEED REGULATOR POSITIONING CAM FOLLOWER STUD	X		
36	355235-451	FOLLOWER PIN CLAMPING SCREW	X		
37	357210-000	FEED REGULATOR POSIT.CONTROL LEVER ADJUST.SCREW STUD	X		
38	357093-451	FEED REGULATOR POSIT. CONTROL LEVER ADJUST. PIN NUT	X		
39	355256-451	FEED REGULATOR POSIT. CONTROL LEVER ARTICULATION SCREW	X		

6300 SERIES PARTS LIST
REV. N° _____

PATTERN SELECTOR MODULE



REV.: _____
 DATE: ____/____/____

PART LIST
PATTERN SELECTOR MODULE

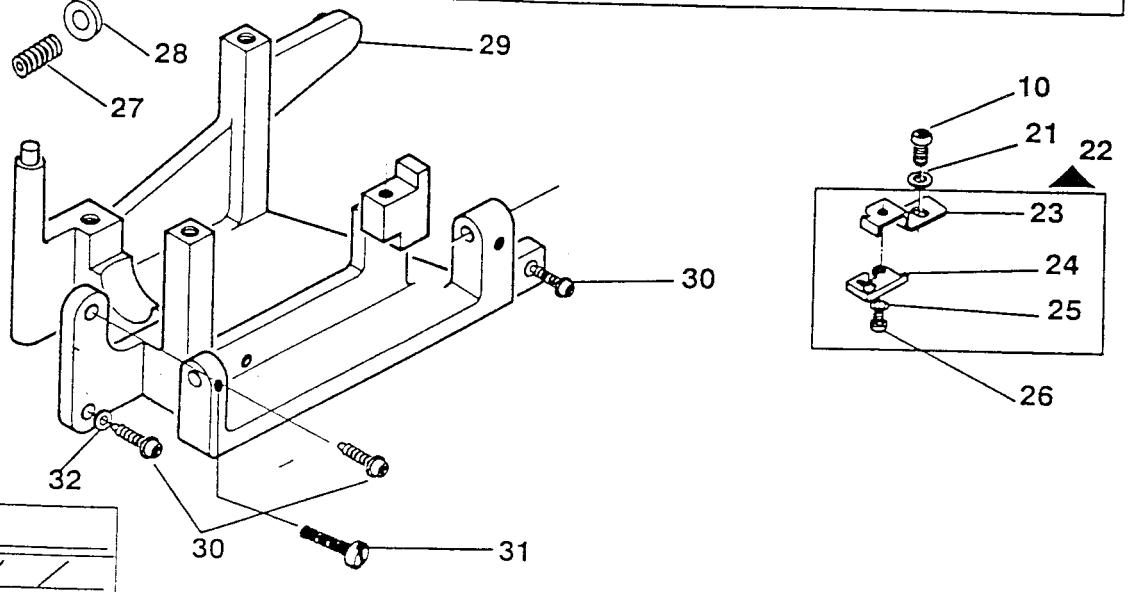
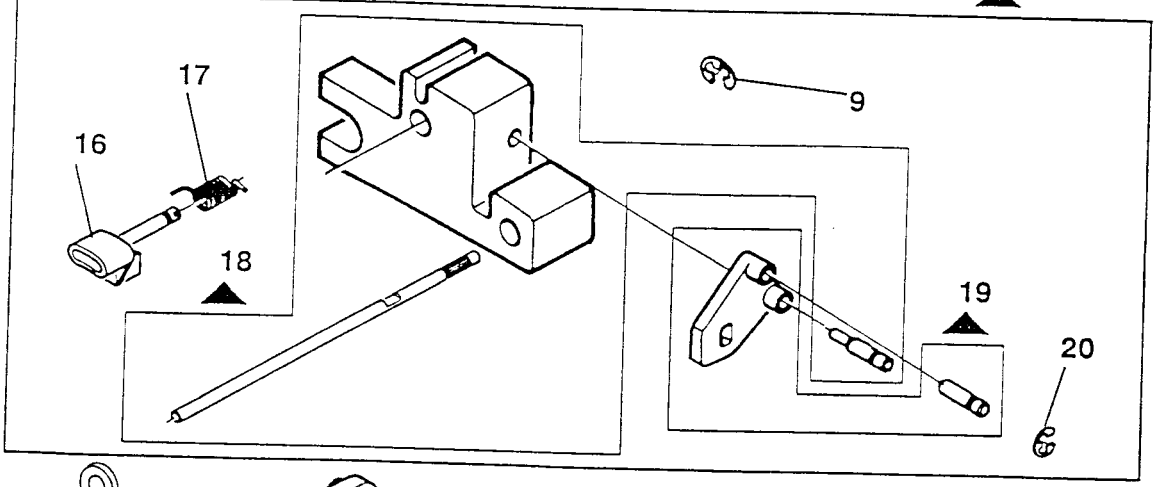
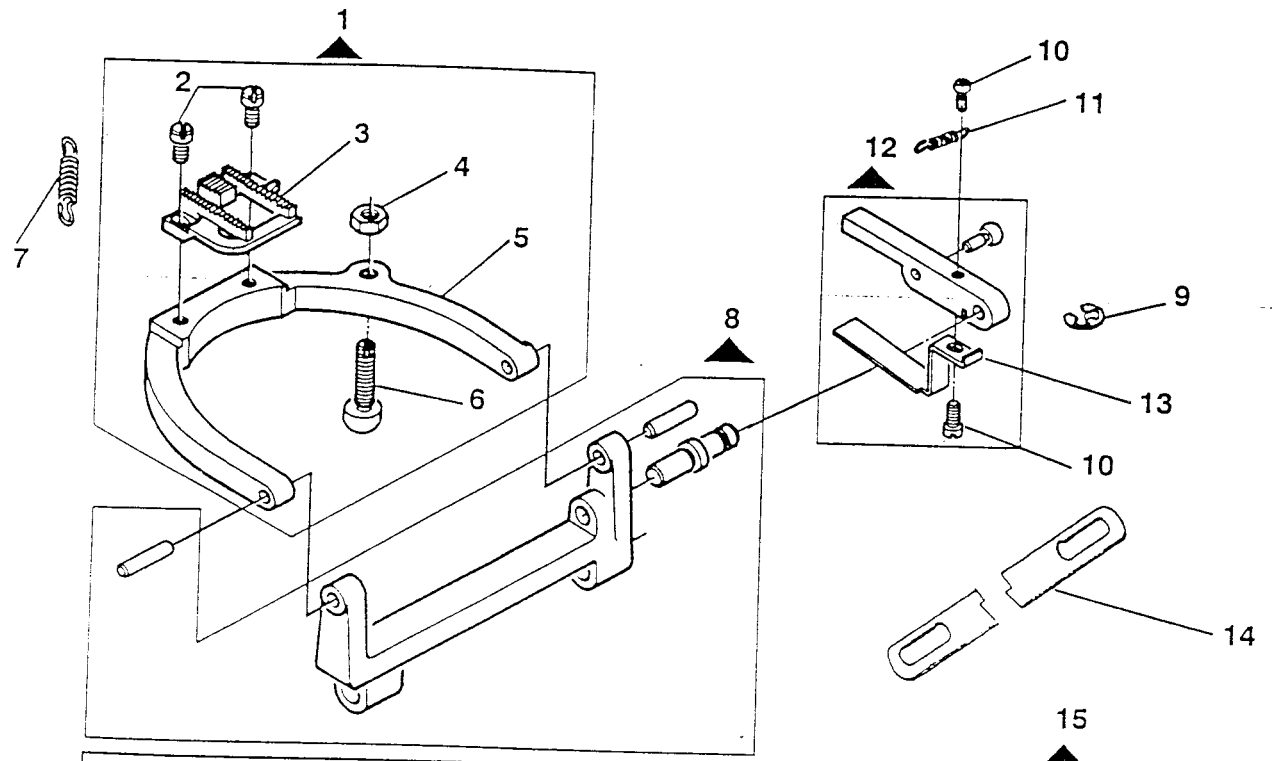
6 6 6 6
3 3 3 3
0 1 1 1
5 0 4 8

REF. PART NBR

DESCRIPTION

REF. PART NBR	DESCRIPTION	6	6	6	6
01 357203-000	BUTTONHOLER NEEDLE POSITION CAM FOLLOWER LEVER ART.PIN		X	X	X
02 357202-000	BUTTONHOLER AND NEEDLE POSITION CAM FOLLOWER LEVER		X	X	X
03 445721-000 (4)	FEED REGULATOR POSIT. PIN FRICTION SPRING RETAIN. RING		X	X	X
04 357239-000	BUTTONHOLER AND NEEDLE POSITION CAM FOLLOW. LEVER SPR.		X	X	X
05 357407-002	PATTERN SELECTOR CAM ASSEMBLY		X		
05 357407-001	PATTERN SELECTOR CAM ASSEMBLY				
05 357195-000	PATTERN SELECTOR CAM			X	
06 355247-451	CAM STOP SCREW				X
07 357194-901	PATTERN SELECTOR MECHANISM SUPPORT (MACHINED)		X	X	
08 531630-000	ROTATING HOOK DRIVING BELT TENSION ADJUSTER (ECCENTRIC)		X	X	X
09 354833-451	BELT TENSIONER SCREW		X	X	X
10 357301-000	DISC FOLLOWER ENGAGING AND DISENGAGING		X	X	X
11 355260-451	DISC FOLLOWER ENG.AND DISEN.LEVER ARTICUL. SCREW STUD		X	X	X
12 113455-009 (3)	PATTERN SELECTOR MECH. SUPPORT SCREW		X	X	X
13 548061-000	PATTERN SELECTOR MECH. SUPPORT WASHER		X	X	X
14 444921-000	CAM SELECTOR RETAINING RING		X	X	X
15 357410-000	BUTTONHOLER AND FEED REGULATOR CONTROL CAM		X	X	X
16 357254-451	BUTTONHOLER AND FEED REGULATOR CONTROL CAM/DIAL		X	X	X
17 357253-453	PATTERN SELECTOR CAM/DIAL		X		
17 357253-451	PATTERN SELECTOR CAM/DIAL				
17 357253-452	PATTERN SELECTOR CAM/DIAL				X
18 445486-000 (2)	REVERSE BUTTON HINGE PIN RETAINING RING			X	
19 357201-000	DISC STACK POSITIONING CONTROL LEVER ARTICULATION PIN		X	X	X
20 357200-000	DISC STACK POSITIONING CONTROL LEVER ASSEMBLY		X	X	X
21 357198-000	DISC STACK POSITIONING ADJUSTING STUD		X	X	X
22 446138-000	DISC POSITION ADJUSTING PIN WASHER		X	X	X
23 357307-451	DISC POSITION ADJUSTING PIN NUT		X	X	X
24 357205-000	DISC FOLLOWER ARTICULATION PIN		X	X	X
25 357249-000	REVERSE FEED BUTTON ARTICULATION PIN		X	X	X
26 357248-000	REVERSE FEED BUTTON ACTUATING SPRING		X	X	X
27 357250-900	REVERSE FEED BUTTON		X	X	X
28 357204-000	DISC FOLLOWER		X	X	X
29 357208-000 (2)	DISC FOLLOWER DISENGAGING BRACKET SPRING		X	X	X
30 357305-000	DISC FOLLOWER DISENGAGING BRACKET SPRING ASSEMBLY		X	X	X
31 357206-000	DISC FOLLOWER DISENGAGING BRACKET		X	X	X
32 54591-451	DISC FOLLOWER DISENGAGING SUPPORT SCREW NUT		X	X	X
33 113370-451	DISC FOLLOWER DISENGAGING SUPPORT SCREW		X	X	X
34 357212-000	FEED REGULATOR POSITIONING CONTROL LEVER ASSEMBLY		X	X	X
35 357211-000	FEED REGULATOR POSITIONING CAM FOLLOWER STUD		X	X	X
36 355235-451	DISC FOLLOWER PIN RETAINING SCREW		X	X	X
37 357210-000	FEED REGULATOR POSIT.CONTROL LEVER ADJUST.SCREW STUD		X	X	X
38 357093-451	FEED REGULATOR POSITIONING LEVER ADJUSTING PIN NUT		X	X	X
39 355256-451	FEED REGULATOR POSIT. CONTROL LEVER ARTICULATION SCREW		X	X	X
40 355255-451	C.C.F. LEVER FOLLOWER HINGE SCREW		X	X	X
41 357214-000	CAM CONTROLLED FEED LEVER FOLLOWER		X	X	X
42 357218-000	CAM CONTROLLED FEED ENGAG. ACTUATING LEVER SPRING		X	X	X
43 357216-000	CAM CONTROLLED FEED ENGAGING ACTUATING LEVER		X	X	X
44 355257-451	CAM CONTROLLED FEED ENGAG. ACTUAT. LEVER HINGE SCREW		X	X	X
45 353397-000	CAM CONTR. FEED ENGAG. LEVER HINGE SCREW NUT		X	X	X
46 357219-000	CAM CONTROLLED FEED ENGAGING BRACKET WIRE ARM		X	X	X
47 357220-000	CAM CONTROLLED FEED ENGAGING BRACKET		X	X	X

FEED SYSTEM



REV.: _____
 DATE: / /

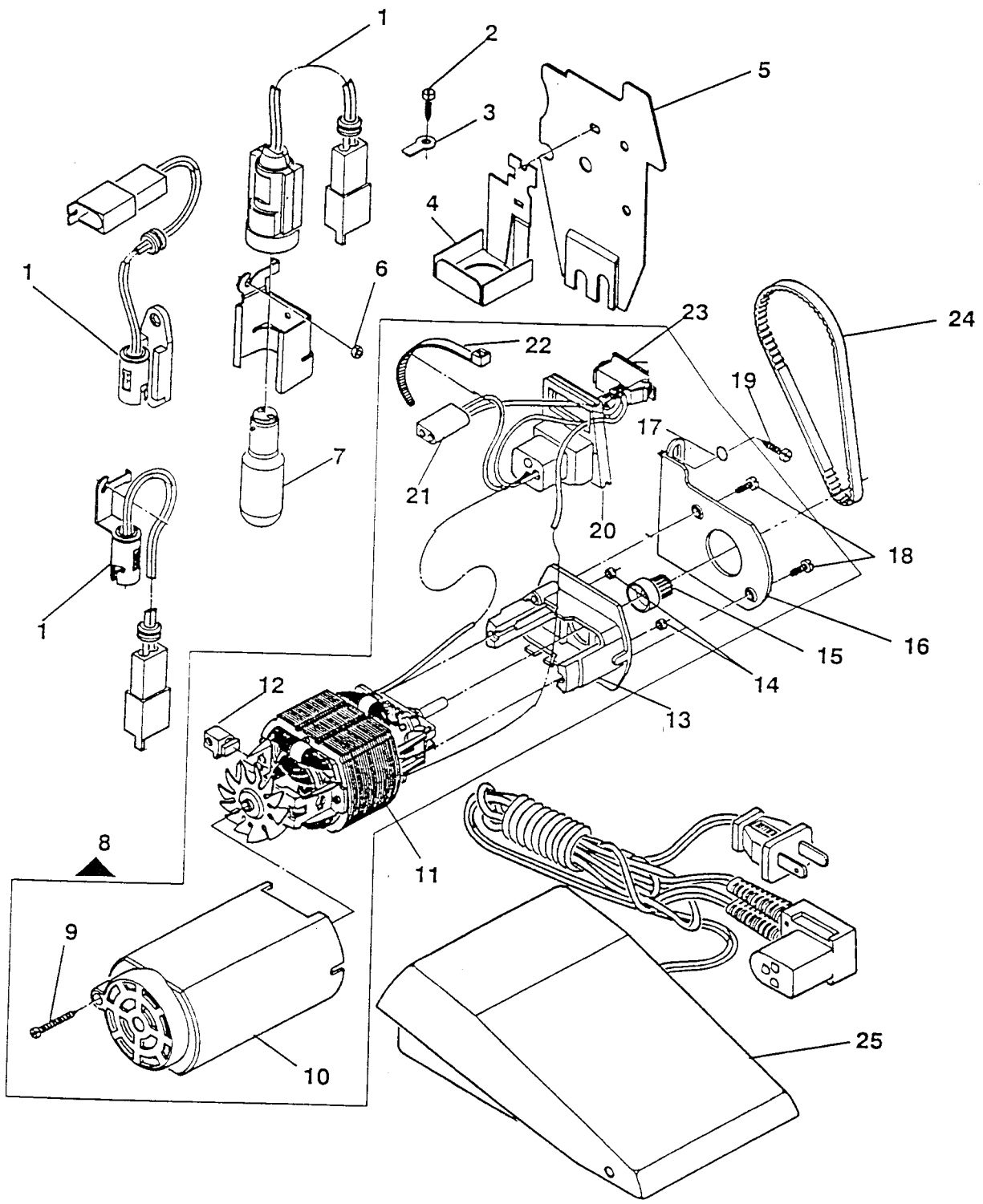
PART LIST
FEED SYSTEM

6 6 6 6
3 3 3 3
0 1 1 1
5 0 4 8

REF.	PART NBR	DESCRIPTION				
01	357259-000	FEED BAR COMPLETE				
02	355235-451 (2)	FEED DOG SET SCREW	X	X	X	X
03	179891-000	FEED DOG	X	X	X	X
04	514608-000	FEED DOG SUPPORT ADJUSTING SCREW NUT	X	X	X	X
05	357257-000	FEED DOG SUPPORT	X	X	X	X
06	355259-451	FEED BAR HEIGHT ADJUSTMENT SCREW	X	X	X	X
07	357208-000	FEED DOG SUPPORT SPRING	X	X	X	X
08	357263-000	FEED BAR ARTICULATION BRACKET COMPLETE	X	X	X	X
09	445721-000 (2)	FEED REGULATOR RETAINING RING	X	X	X	X
10	141920-451 (3)	SCREW	X	X	X	X
11	357266-000	FEED BAR POSITIONING SPRING	X	X	X	X
12	357270-000	FEED FORKED CONNECTION ASSEMBLY	X	X	X	X
13	357268-000	FEED FORKED CONNECTION SPRING	X	X	X	X
14	357281-000	FEED REGULATOR CONTROL LEVER	X	X	X	X
15	357280-000	FEED REGULATOR MOUNTING SUPPORT ASSEMBLY	X	X	X	X
16	357279-000	FEED REGULATOR	X	X	X	X
17	357223-000	FEED REGULATOR ACTUATING SPRING	X	X	X	X
18	357215-000	FEED REGULATOR POSITIONING SUPPORT COMPLETE	X	X	X	X
19	357320-000	FEED REGULATOR SUPPORT ASSEMBLY	X	X	X	X
20	179926-000	FEED REGULATOR POSIT. SUPPORT PIN RETAINING RING	X	X	X	X
21	356830-003	CUSHION SPRING SUPPORT SET SCREW WASHER	X	X	X	X
22	357189-000	BOBBIN CASE CUSHION SPRING BRACKET COMPLETE	X	X	X	X
23	357188-000	BOBBIN CASE CUSHION SPRING BRACKET	X	X	X	X
24	357187-000	BOBBIN CASE CUSHION SPRING	X	X	X	X
25	445767-000	WASHER (LOWER)	X	X	X	X
26	139975-452	SCREW	X	X	X	X
27	357293-000	FEED BAR ARTICULATION BRACKET POSITIONING SPRING	X	X	X	X
28	357418-000	FEED BAR ARTICULATION BRACKET HINGE STUD WASHER	X	X	X	X
29	357255-000	FEED MECHANISM MOUNTING SUPPORT	X	X	X	X
30	113455-001 (3)	FEED MECHANISM SUPPORT SET SCREW	X	X	X	X
31	355235-451	FEED DOG SUPPORT HINGE PIN SET SCREW	X	X	X	X
32	445765-000	FEED MECHANISM SUPPORT SET SCREW WASHER	X	X	X	X

6300 SERIES PARTS LIST
REV. N° _____

ELECTRICAL EQUIPMENT



REV.: _____
DATE: / /

PART LIST
ELECTRICAL EQUIPMENT

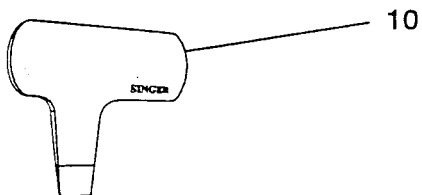
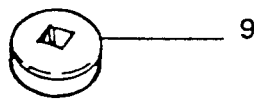
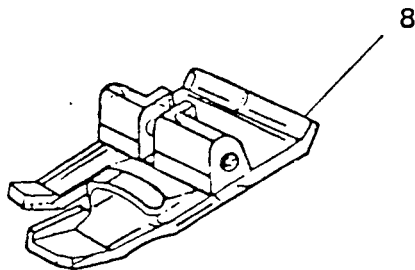
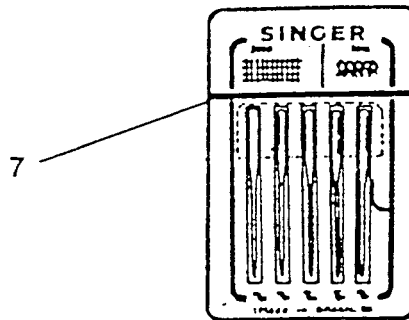
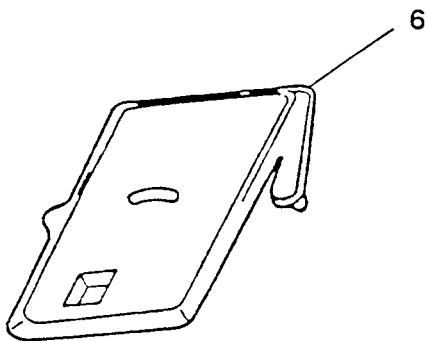
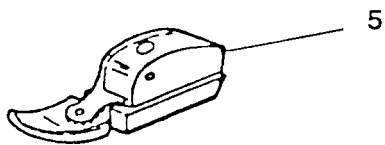
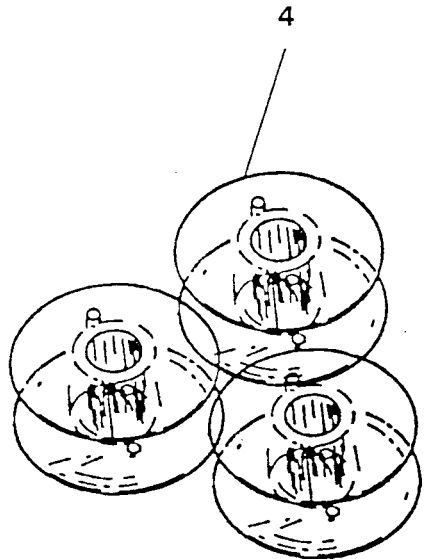
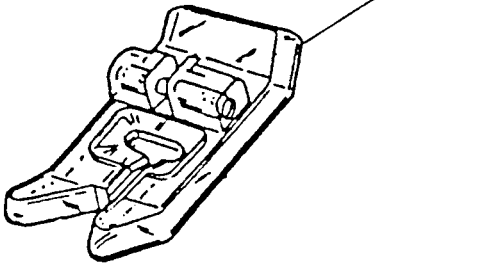
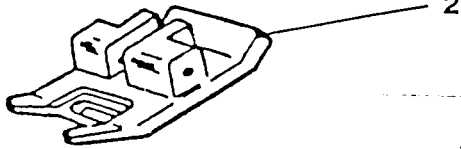
6 6 6 6
3 3 3 3
0 1 1 1
5 0 4 8

REF. PART NBR	DESCRIPTION				
01	605488-021	LIGHT COMPLETE (IEC)			
01	362160-002	LIGHT COMPLETE L 15 - B (UL/CSA)	X	X	X
01	362001-007	LIGHT COMPLETE (NON REGULATORY)	X	X	X
02	531631-451	LIGHT LEAD RETAINING SCREW	X	X	X
03	357146-000	LIGHT LEAD RETAINING PLATE	X	X	X
04	605087-001	HEAT SHIELD (FOR EUROPE)	X	X	X
05	179901-000	LIGHT SHIELD (WITHOUT GRAPHICS)	X	X	X
05	179910-451	LIGHT SHIELD (UL/CSA)	X	X	X
06	618638-005	LIGHT SOCKET MOUNTING NUT	X	X	X
07	988076-001	LAMP 110V/120V/127V	X	X	X
07	988076-003	LAMP 220V/230V	X	X	X
08	362300-XXX	MOTOR COMPLETE	X	X	X
08	988076-005	LAMP 240V/250V	X	X	X
09	604800-002	DUST COVER RETAINING SCREW	X	X	X
10	362302-XXX	DUST COVER	X	X	X
11	362301-XXX	MOTOR MODULE	X	X	X
12	604013-003	DUST COVER RETAINING BLOCK	X	X	X
13	605015-900	MOTOR END COVER	X	X	X
14	603907-001 (2)	MOTOR MODULE NUT	X	X	X
15	362305-001	MOTOR PULLEY	X	X	X
16	362303-901	MOTOR BRACKET	X	X	X
17	353375-451 (2)	MOTOR BRACKET FIXING WASHER	X	X	X
18	113455-003 (2)	MOTOR BRACKET FIXING SCREW	X	X	X
19	113434-451 (2)	MOTOR RETAINING SCREW	X	X	X
20	362304-901	SWITCH AND "D" PLUG HOUSING	X	X	X
21	362306-XXX	LIGHT CONNECTOR W/ LEADS	X	X	X
22	605600-004	TY-RAP	X	X	X
23	362307-XXX	SWITCH W/ LEADS	X	X	X
24	353518-002	MOTOR BELT	X	X	X
25	362095-XXX	FOOT CONTROLLER	X	X	X

6300 SERIES PARTS LIST
REV.N° _____

ATTACHMENT SET

1



REV.: _____
DATE: / /

PART LIST
ATTACHMENT SET

6 6 6 6
3 3 3 3
0 1 1 1
5 0 4 8

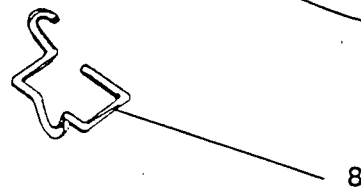
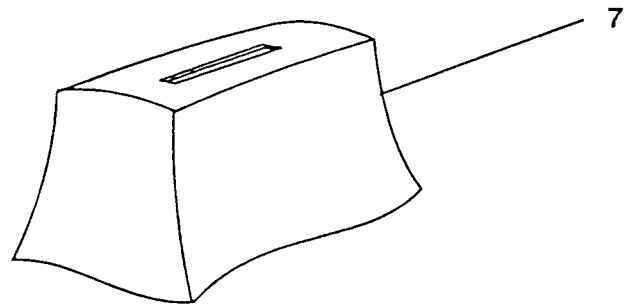
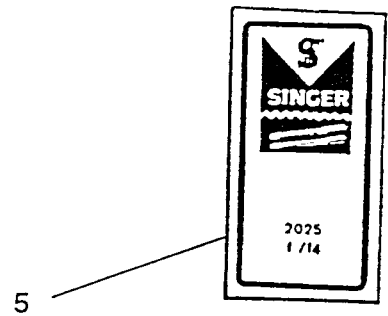
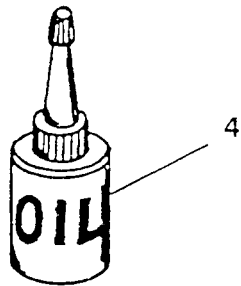
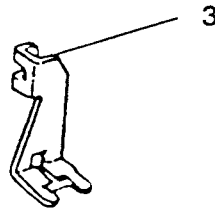
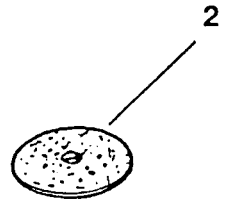
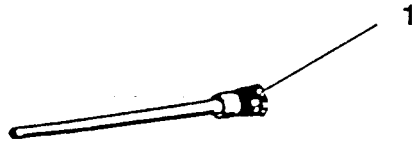
REF. PART NBR

DESCRIPTION

REF. PART NBR	DESCRIPTION					
01	357412-000	ATTACHMENT SET COMPLETE	X	X	X	X
02	446492-451	SPECIAL PURPOSE PRESSER FOOT (SNAP-ON)	X	X	X	X
03	161927-000	PRESSER FOOT PLATE (SNAP-ON) FOR SEWING BUTTONHOLES	X	X	X	X
04	357294-000 (3)	BOBBIN (PLASTIC)	X	X	X	X
05	507836-000	PRESSER FOOT PLATE (SNAP-ON) COMPLETE FOR CORDING & SLIDE FASTENERS	X	X	X	X
06	313117-000	FEED COVER PLATE	X	X	X	X
07	353364-000	NEEDLE PACK (INCLUDES 1 EA. N 2020 SIZE 11/14/15 & N 2045 SIZE 11/14)	X	X	X	X
08	356630-000	BLIND STITCH GUIDE	X	X	X	X
09	507664-467	ARM TOP COVER SPOOL PIN THREAD LEAD - OFF	X	X	X	X
10	357306-000	SCREWDRIVER SPECIAL	X	X	X	X

6300 SERIES PARTS LIST
REV. N° _____

ATTACHMENT SET OPTIONS



REV.: _____
DATE: ____/____/____

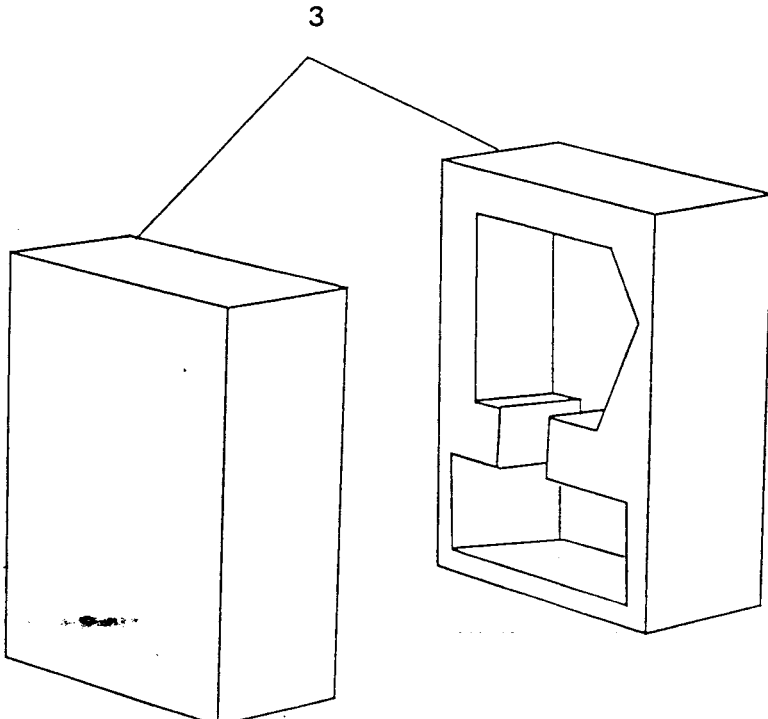
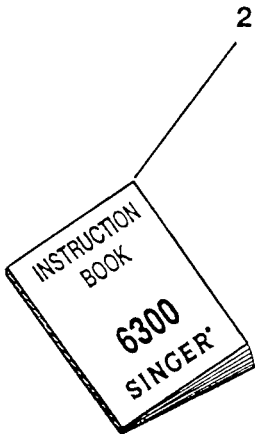
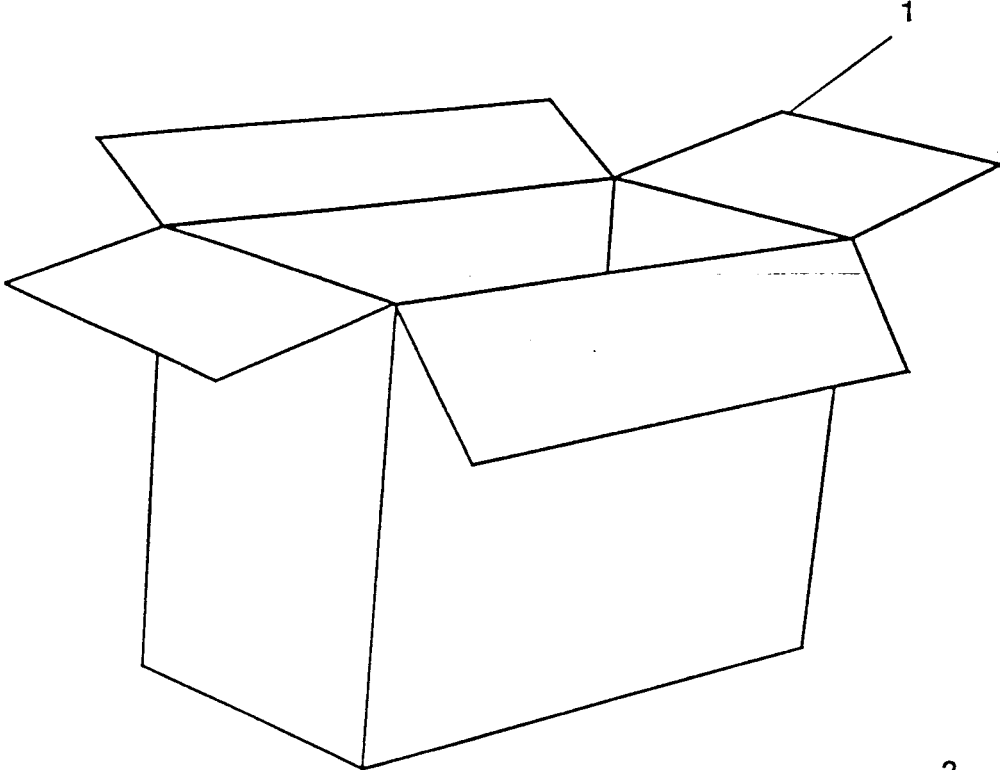
PART LIST
ATTACHMENT SET OPTIONS

6 6 6 6
3 3 3 3
0 1 1 1
5 0 4 8

REF. PART NBR	DESCRIPTION				
01	501750-000	LINT BRUSH	X	X	X X
02	8879-455	SPOOL PIN FELT FOR TWIN NEEDLE	X	X	X X
03	179911-000	PRESSER FOOT FOR BUTTON SEWING	X	X	X X
04	357004-001	OIL CONTAINER COMPLETE	X	X	X X
05	531868-000	NEEDLE PACK (ONE TWIN NEEDLE 2025-14)	X	X	X X
06	179948-451	SPOOL PIN FOR TWIN NEEDLE	X	X	X X
07	357413-451	DUST COVER (SOFT VINIL)	X	X	X X
08	116863-000	FINGER GUARD	X	X	X X

6300 SERIES PARTS LIST
REV. N° _____

PACKING



REV.:	_____
DATE:	/ /

PART LIST
PACKING

6 6 6 6
3 3 3 3
0 1 1 1
5 0 4 8

REF. PART NBR

DESCRIPTION

REF. PART NBR	DESCRIPTION	6	6	6	6
01 357308-001	CARTOON BOX	X	X	X	X
02 357310-001	INSTRUCTION BOOK	X			
02 357313-001	INSTRUCTION BOOK		X	X	X
03 357309-001	INNER PACK	X	X	X	X