

SINGER

6267/6268

LIST OF PARTS

Sewing Machine Series

6267

6268

by **SINGER***



A Publication of Product Support
International Group Engineering

Part No. 119701-001

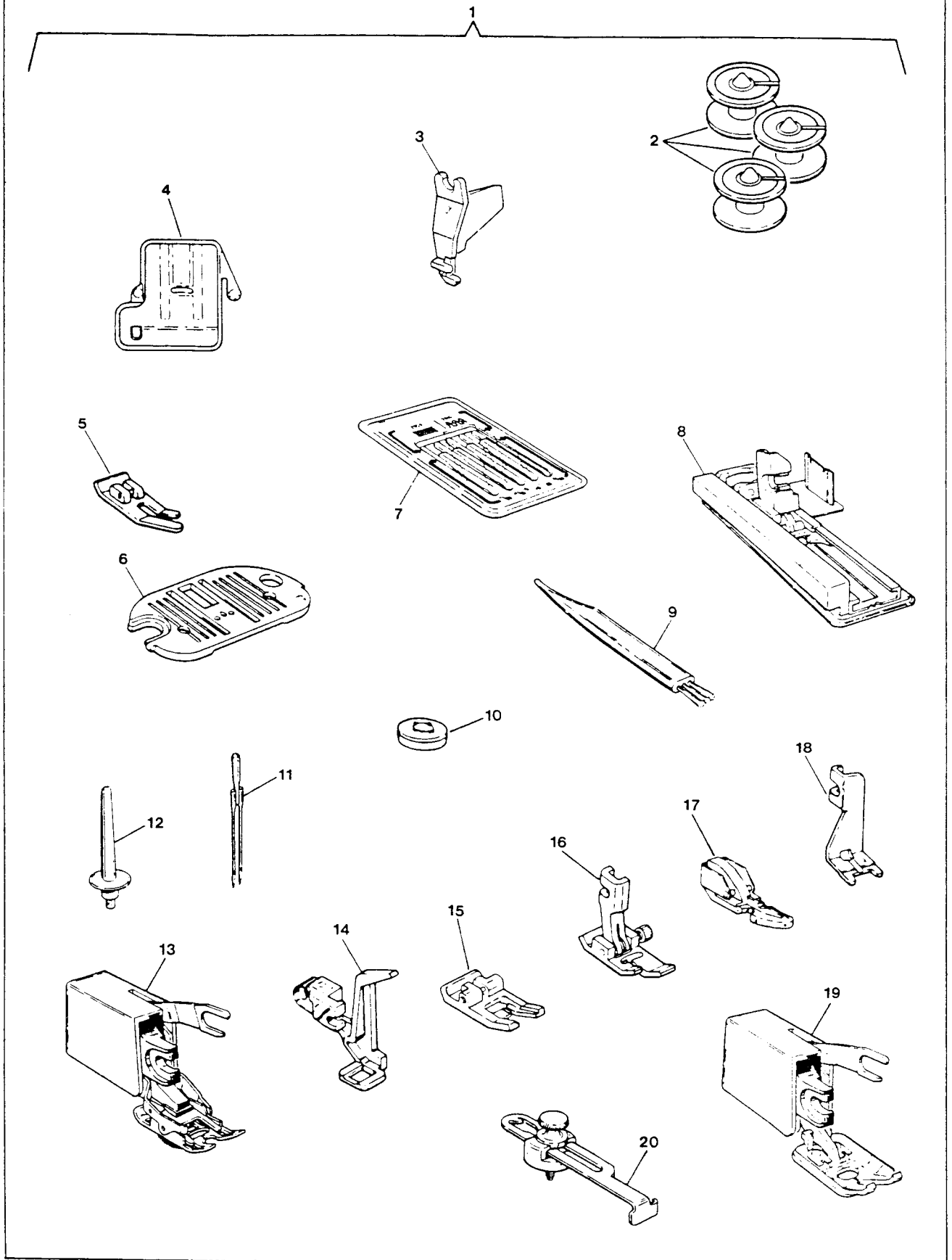
Printed in Italy

(04/87 - Rev.1)

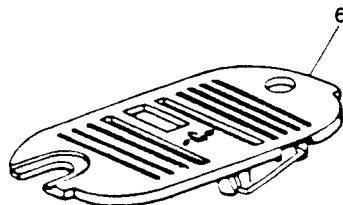
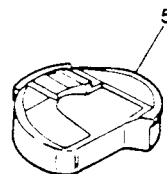
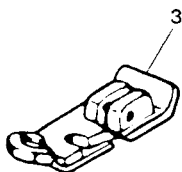
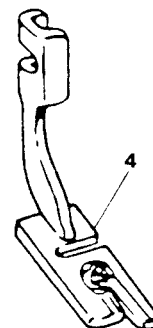
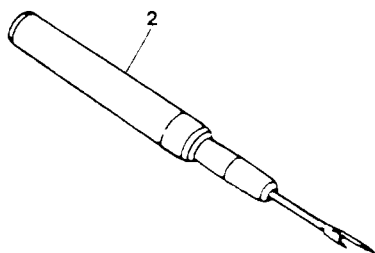
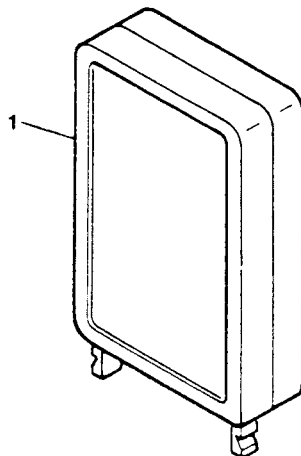
INDEX

PAGE No.	SUBASSEMBLY
2, 3	ATTACHMENT SET
4, 5	ADDITIONAL ACCESSORIES
6, 7	COVERS AND ADD-ONS
8, 9	ARM TOP COVER
10, 11	HEAD END MODULE AND THREAD TAKE-UP
12, 13	ARM SHAFT DRIVE SYSTEM/HAND WHEEL
14, 15	DEMAND RESPONSIVE NEEDLE TENSION SYSTEM
16, 19	ALPHA FEED
20, 21	HOOK AND BOBBIN WINDING SYSTEM (CENTAUR)
22, 23	CLOTH PLATE
24, 25	SENSOR ASSEMBLY (ARM SHAFT)/CONTROL PANEL ASSEMBLY
26, 27	LOW BOBBIN DETECTOR BOARD/EMITTER ASSEMBLY
28, 29	BIGHT AND FEED DRIVE LINEAR MOTORS/TRANSFORMER
30, 31	MODULE ALPHABETIC AND MONOGRAM/EMBROIDERY ATTACHMENT
32, 33	SPEED CONTROL/MOTOR CONTROL P.C. BOARD ASSEMBLY
34, 37	ELECTRICAL EQUIPMENT
38, 39	NEW COVERS AND LIGHT ASSEMBLY IN PRODUCTION FROM SEPTEMBER 1987

ATTACHMENT SET

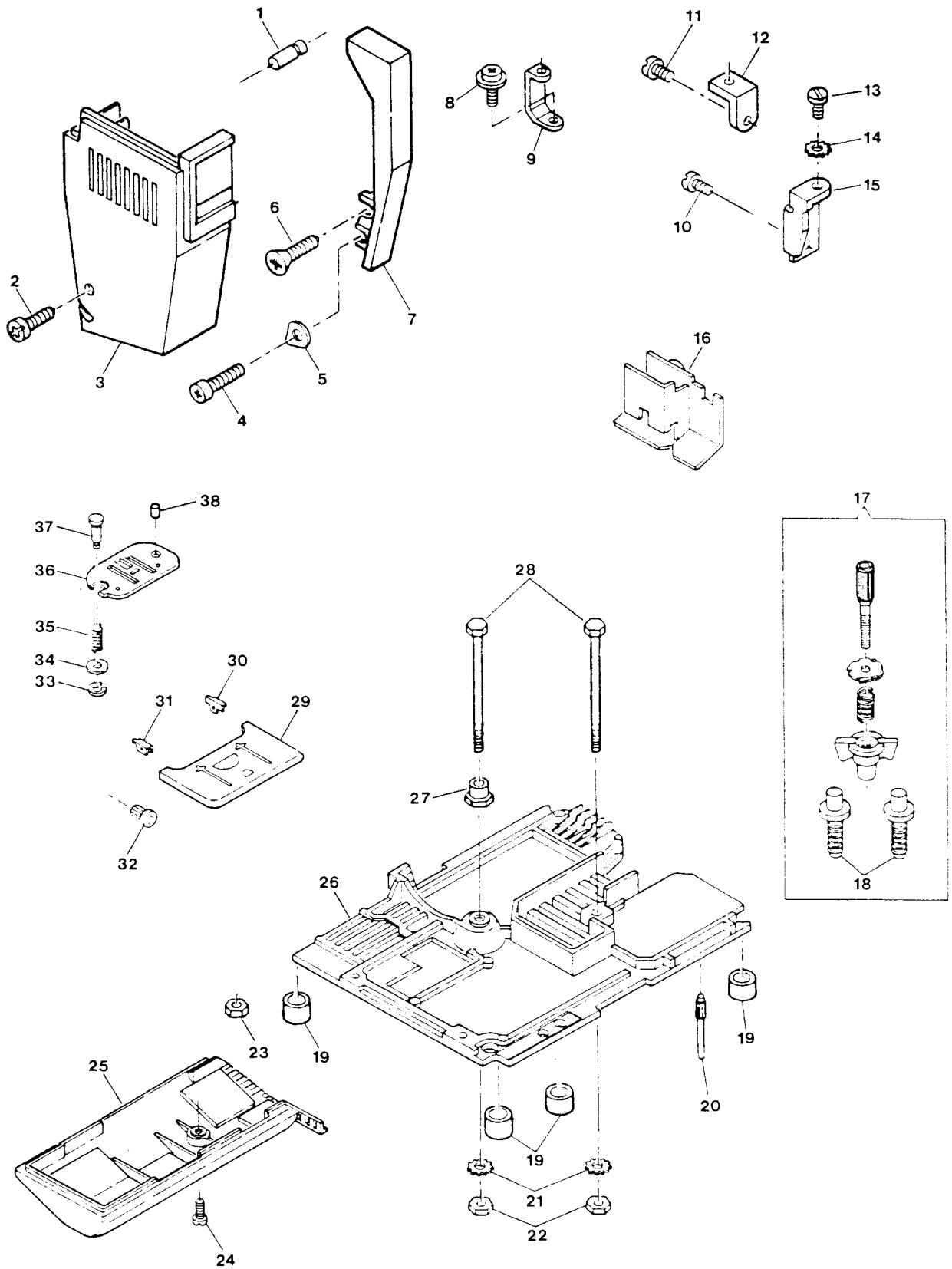


ADDITIONAL ACCESSORIES

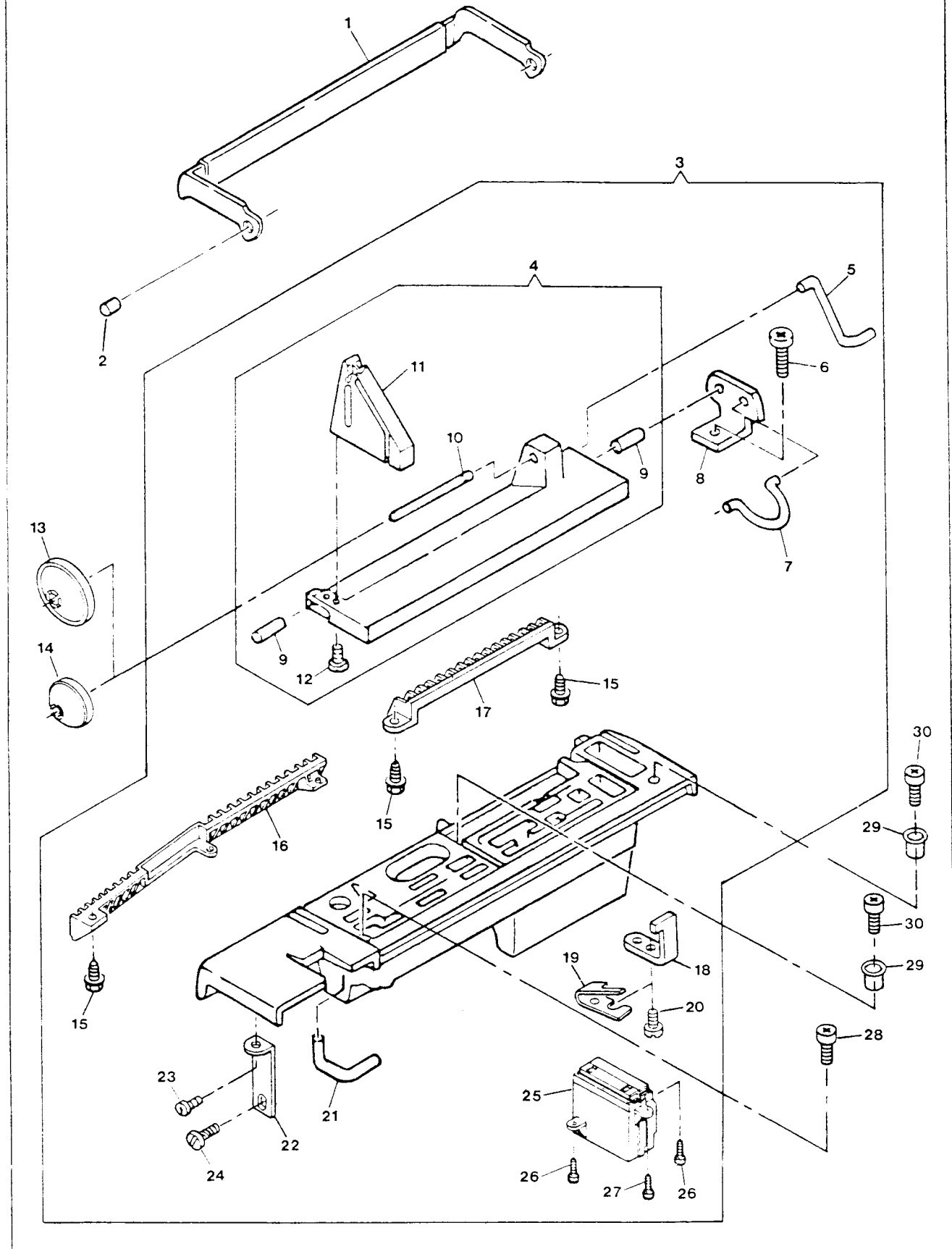


REF	P/N	COVERS AND ADD ONS	
		DESCRIPTION	
		6	6
			7
			8
1	312753	Thread take-up lever link hinge stud	X X
2	113388-452	Face plate mounting screw	X X
3	313607-002	Face plate assembly complete (International)	X X
3	313607-001	Face plate assembly complete (USA/Canada)	X X
3	313607-003	Face plate assembly complete (Europe)	X X
4	113445-001	Thread take-up cover screw	X X
5	314086-451	Thread take-up cover screw washer	X X
6	113470-003	Thread take-up cover & lint/heat shield screw	X X
7	313397-451	Thread take-up cover with graphics	X X
8	113455-001	Arm top cover bracket mounting screw	X X
9	313212	Arm top cover mounting bracket	X X
10	114235-451	Control panel mounting bracket screw	X X
11	544212-002	Arm top cover mounting bracket screw (see page 40/not used)	X X
12	313253	Arm top cover mounting bracket (front) (see page 40/not used)	X X
13	544212-006	Control panel mounting screw	X X
14	314004-451	Control panel mounting screw lock washer	X X
15	313255	Front panel mounting bracket (top)	X X
16	313319-900	Low & high voltage wire separator	X X
17	313180	Machine hold down mounting kit	X X
18	148869	Machine locator pin	X X
19	313909-451	Bed leg cushion	X X
20	988653-001	Motor adjusting stud	X X
21	313875-451	Bed cover lock washer	X X
22	313177-452	Bed cover nut	X X
23	313049	Bed insert nut	X X
24	354633-452	Bed cover (tubular) screw	X X
25	314057-451	Bed cover (tubular) assembly	X X
26	313278-451	Bed cover (plastic)	X X
27	313173-451	Bottom cover mounting bolt mounting nut	X X
28	313052-451	Bottom cover mounting bolt	X X
29	314109	Bed slide assembly complete (Centaur) (zinc)	X X
30	312779	Bed slide spring (right)	X X
31	314098	Bed slide spring (left)	X X
32	313952-451	Bed plug	X
33	313098	Throat plate plunger retaining ring	X X
34	549426-451	Throat plate plunger washer	X X
35	312805	Throat plate plunger spring	X X
36	312777	Throat plate for zig-zag sewing	X X
37	312804	Throat plate plunger	X X
38	312803	Throat plate locating pin	X X

COVERS AND ADD-ONS



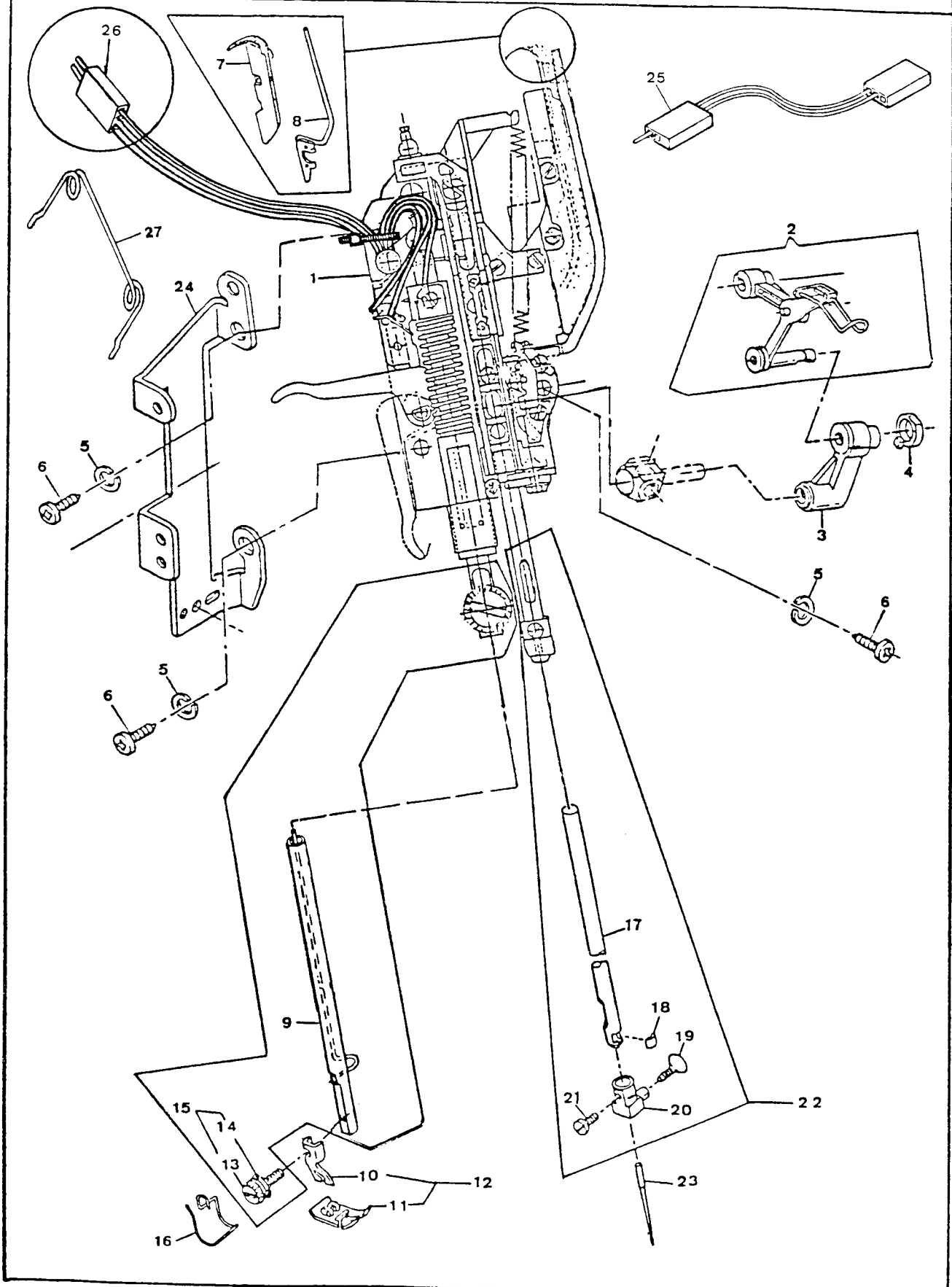
ARM TOP COVER



REF	P/N	ARM TOP COVER DESCRIPTION	6	6
			2	2
			6	6
			7	8
1	313847-451	Arm top cover handle assembly	X	X
2	313273	Carrying handle pivot pin	X	X
3	313551-001	Arm top cover assembly (without insert)		X
3	313556-001	Arm top cover assembly (without inserts)	X	
4	313541-001	Arm top cover lid assembly	X	X
5	313436	Arm top cover lid latch lever	X	X
6	113445-006	Arm top cover lid hinge mounting screw (right)	X	X
7	313435	Arm top cover lid hinge spring	X	X
8	313213	Arm top lid hinge (right)	X	X
9	313447-900	Arm top cover hinge pin	X	X
10	312940-451	Spool pin (horizontal)	X	X
11	313563-451	Arm top cover thread guide assembly	X	X
12	113364-451	Arm top cover thread guide screw	X	X
13	312815-451	Spool pin thread lead-off (large)	X	X
14	312816-451	Spool pin thread lead-off (medium)	X	X
15	113443-003	Arm top cover grill (left) screw	X	X
15	113443-003	Arm top cover grill (right) screw	X	X
16	313439	Arm top cover grill (left)	X	X
17	313440	Arm top cover grill (right)	X	X
18	313252	Carrying handle bracket (right) (see page 40/not used)	X	X
19	313320	Carrying handle spring (see page 40/not used)	X	X
20	544212-005	Carrying handle bracket (right) screw (see page 40/not used)	X	X
21	313279	Arm top cover thread guide	X	X
22	314092	Arm top cover support bracket	X	X
23	113442-002	Arm top cover screw (bottom)	X	X
24	514675-452	Arm top cover mounting bracket screw	X	X
25	313532-451	Pattern module receptacle assembly		X
26	113442-003	Pattern module sleeve mounting screw		X
27	113442-002	Pattern module sleeve mounting screw		X
28	113445-016	Arm top cover screw (left)	X	X
29	314187	Arm top cover screw (center & right) bushing	X	X
30	113491-451	Arm top cover screw (center & right)	X	X

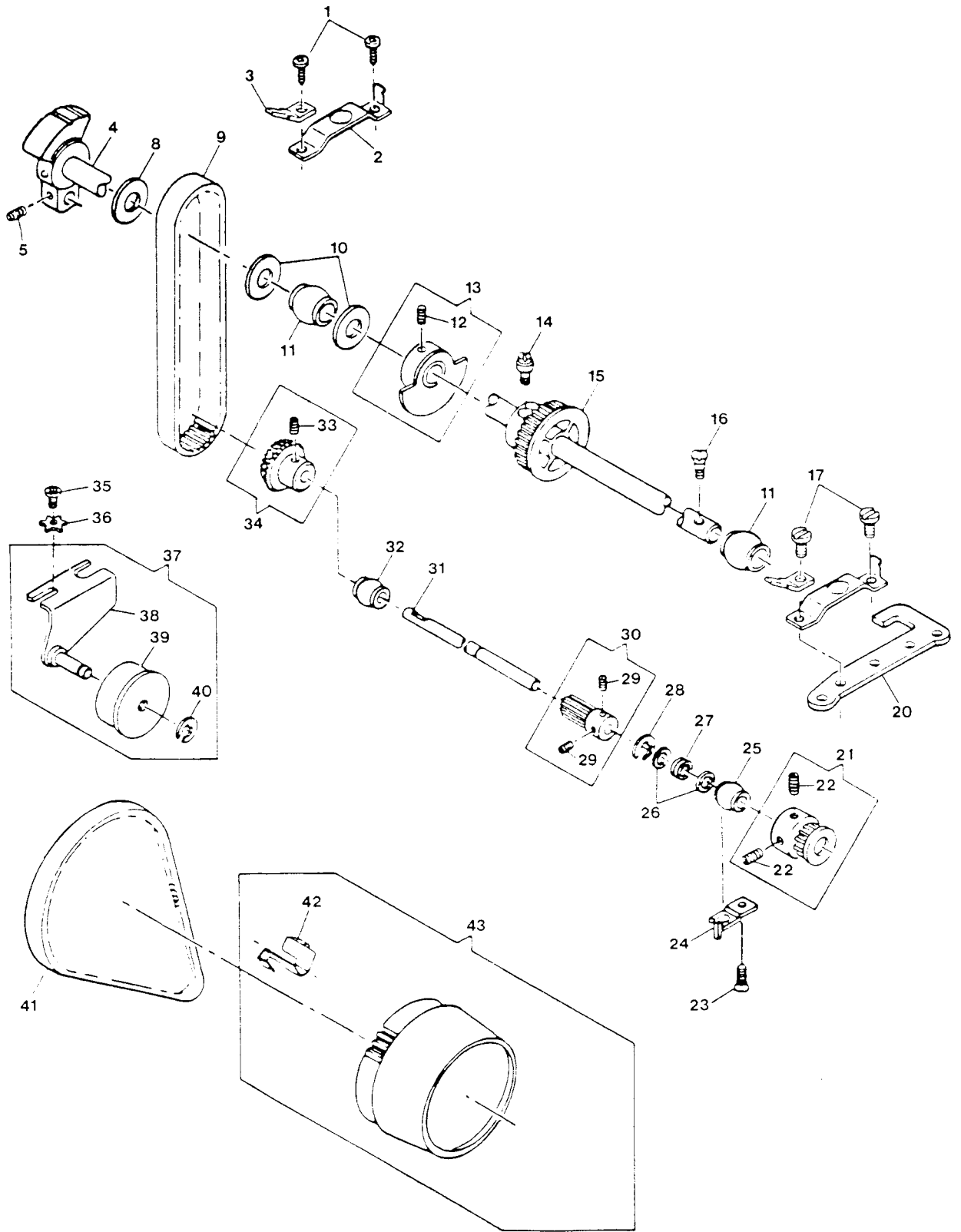
REF	P/N	HEAD END MODULE AND THREAD TAKE-UP	
		DESCRIPTION	6 6 2 2 6 6 7 8
1	313585	Head end module	X
2	313181	Thread take-up complete (Centaur)	X X
3	313533	Needle bar connecting link assembly	X X
4	314146	Needle bar connecting link spacer	X X
5	313955-451	Head end mounting plate lock washer	X X
6	113455-013	Head end mounting plate screw	X X
7	313605	Thread retainer assembly	X X
8	314039	Take-up thread guide & clamp assembly	X X
9	988793-901	Presser bar & harness assembly	X X
10	163706-451	Presser foot shank (snap-on)	X X
11	313150	Presser foot plate (snap-on) for Zig-Zag sewing (6 mm.)	X X
12	384129	Presser foot (snap-on) complete for Zig-Zag sewing	X X
13	314631-451	Presser foot thumb screw and bobbin winder thread holder	X X
14	314629	Presser foot thumb screw and bobbin winder thread holder	X X
		"O" ring	
15	314630-451	Presser foot thumb screw and bobbin winder thread holder ass'y	X X
16	421588	Finger guard (machines for sale in continental EUROPE)	X X
17	313685	Needle bar	X X
18	313552	Needle bar gib	X X
19	354898-451	Needle thumb screw	X X
20	313798	Needle clamp body	X X
21	141920-454	Needle clamp body & needle stop screw	X X
22	314221	Needle bar sub-assembly	X X
23	N 2045	Needle, size no. 14	X X
24	313248	Face plate mounting bracket	X X
25	979056-001	Buttonhole to control P.C.B. harness assembly	X
26	979055-001	Buttonhole harness assembly	X
26	979057-001	Buttonhole & presser bar lift contact harness assembly	X
27	313631	Buttonhole wire harness retainer	X X
1	313691	Head end module	X

HEAD END MODULE AND THREAD TAKE-UP

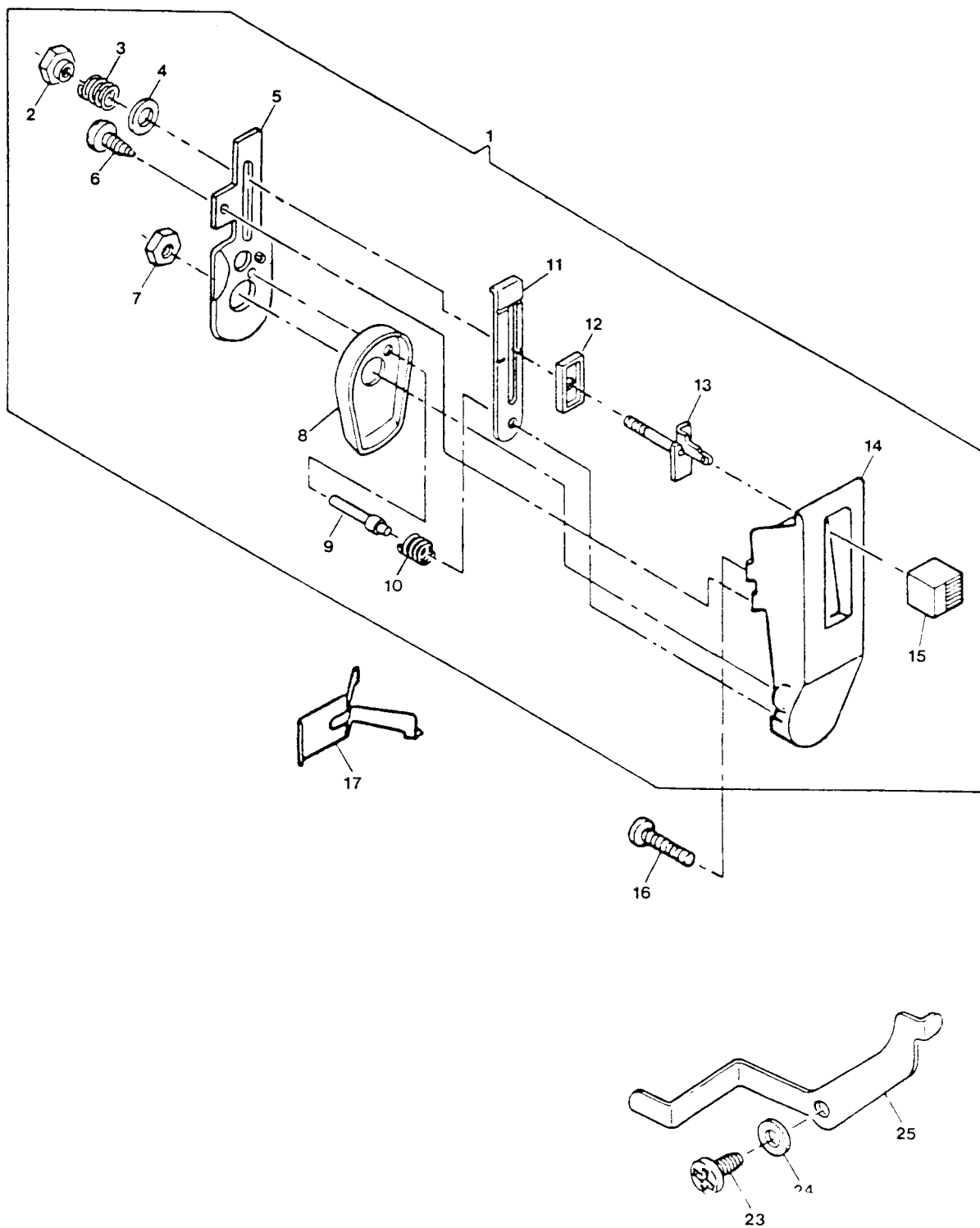


ARM SHAFT DRIVE SYSTEM/HAND WHEEL			6	6
DESCRIPTION			2	2
REF	P/N		6	6
			7	8
1	113455-001	Arm shaft (horizontal) bushing (left) clamp screw	X	X
2	314102	Arm shaft (horizontal) bushing clamp assembly (left)	X	X
3	979157-001	Fast-on tab (arm shaft bearing retainer, head end to arm)	X	X
4	313998	Arm shaft (horizontal) assembly	X	X
5	113488-451	Thread take-up stud set screw	X	X
8	312620-002	Needle bar crank washer	X	X
9	603975-012	Belt (rotating hook drive)	X	X
10	312620-001	Needle bar crank washer	X	X
11	312795	Arm shaft (horizontal) bushing (left & right)	X	X
12	514556-451	Shunt holder set screw	X	X
13	313216-900	Shunt assembly	X	X
14	544212-003	Arm shaft (horizontal) belt drive pulley screw	X	X
15	314074-901	Arm shaft (horizontal) belt drive pulley	X	X
16	113454-451	Hand wheel drive screw	X	X
17	113389-451	Arm shaft (horizontal) bushing (right) clamp screw	X	X
18	979157-001	Fast-on tab (arm shaft bearing retainer, handwheel end to arm)	X	X
19	312796	Arm shaft (horizontal) bushing clamp	X	X
20	314047	Arm shaft (horizontal) bushing (right) clamp screw nut plate	X	X
21	314118	Rotating hook drive shaft belt pulley assembly	X	X
22	544098	Rotating hook drive shaft belt pulley set screw	X	X
23	113470-001	Rotating hook drive shaft bushing (self-aligning) clamp screw	X	X
24	313816	Rotating hook drive shaft bushing (self-aligning) clamp	X	X
25	312700-001	Rotating hook drive shaft bushing (right) (self-aligning)	X	X
26	444900-452	Rotating hook drive shaft spring washer	X	X
27	422521	Rotating hook drive shaft compression spring	X	X
28	312685	Rotating hook drive shaft bearing retaining ring	X	X
29	113466-451	Feed drive shaft gear set screw	X	X
30	313920	Feed drive shaft driving gear assembly	X	X
31	313936	Rotating hook drive shaft	X	X
32	312700-002	Rotating hook drive shaft bushing (left) (self-aligning)	X	X
33	544208-005	Rotating hook drive shaft bevel gear set screw	X	X
34	314011	Rotating hook drive shaft bevel gear assembly	X	X
35	113455-001	Rotating hook driving belt tension adjuster screw	X	X
36	314004-451	Rotating hook driving belt tension adjuster screw lock washer	X	X
37	313611	Belt idler pulley assembly complete	X	X
38	313219	Idler bracket assembly	X	X
39	382255	Belt idler pulley	X	X
40	313157	Belt idler pulley retaining ring	X	X
41	312628-001	Belt (motor drive)	X	X
42	314044	Hand wheel drive screw support clip	X	X
43	312991-451	Hand wheel assembly	X	X

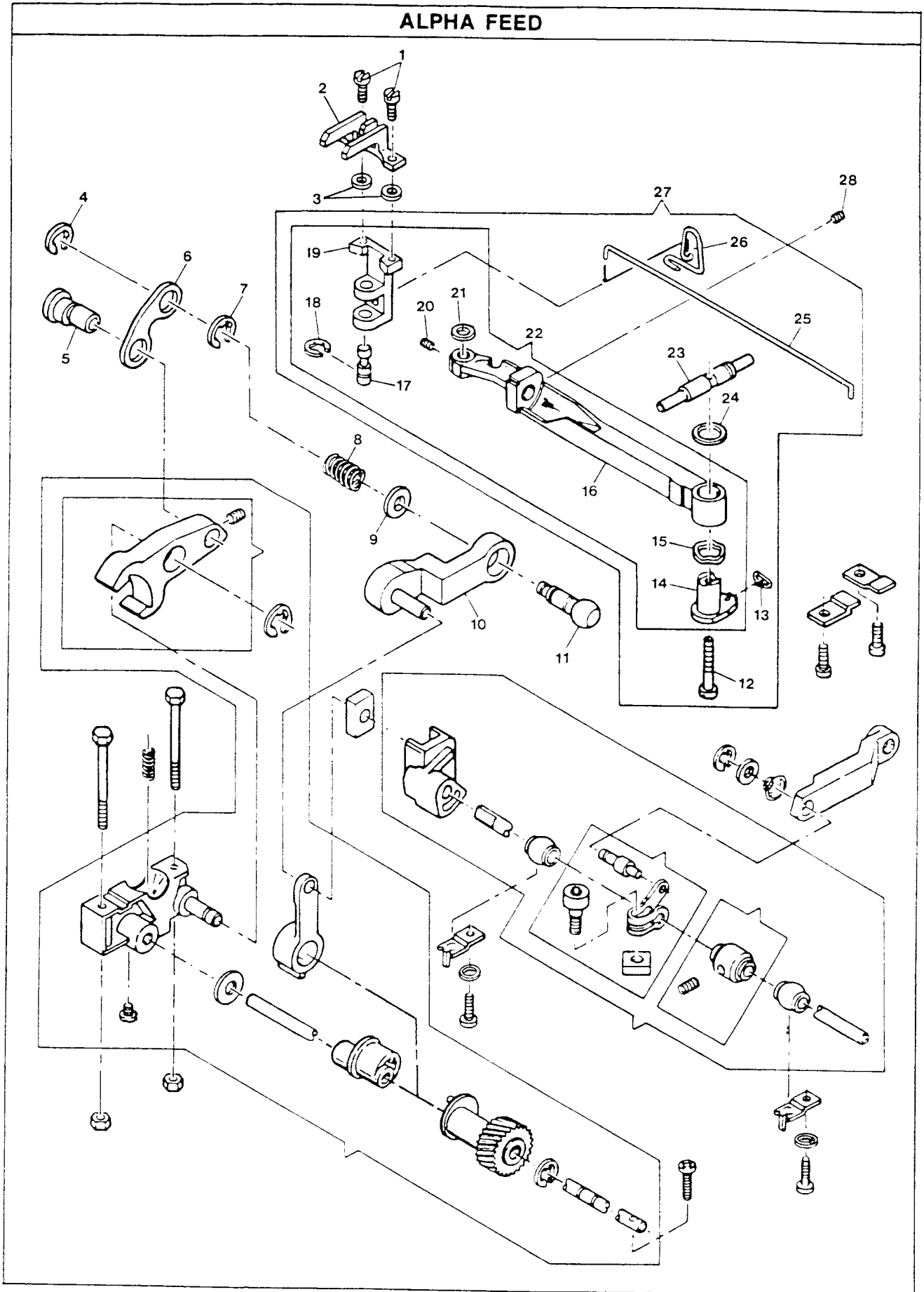
ARM SHAFT DRIVE SYSTEM/HAND WHEEL



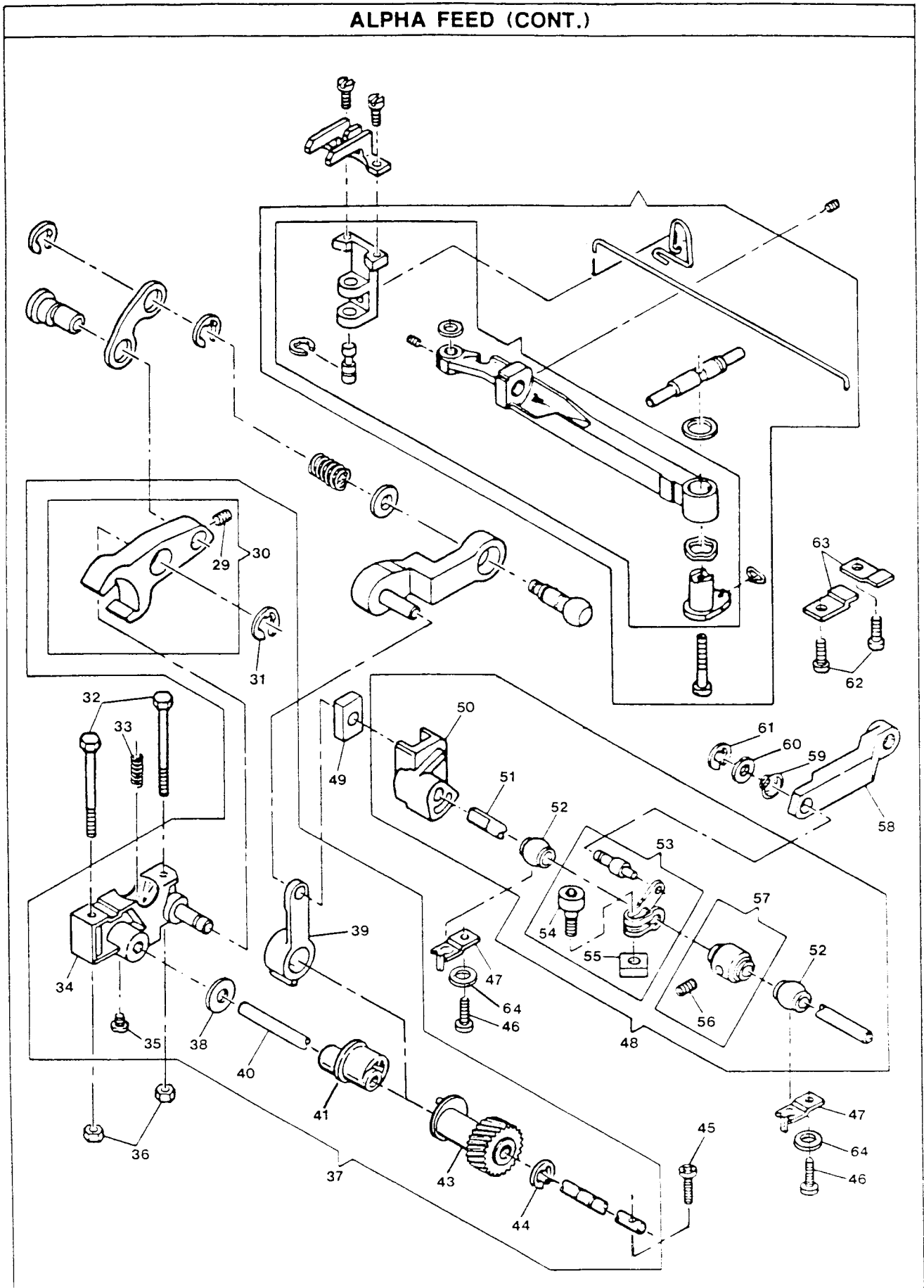
DEMAND RESPONSIVE NEEDLE TENSION SYSTEM



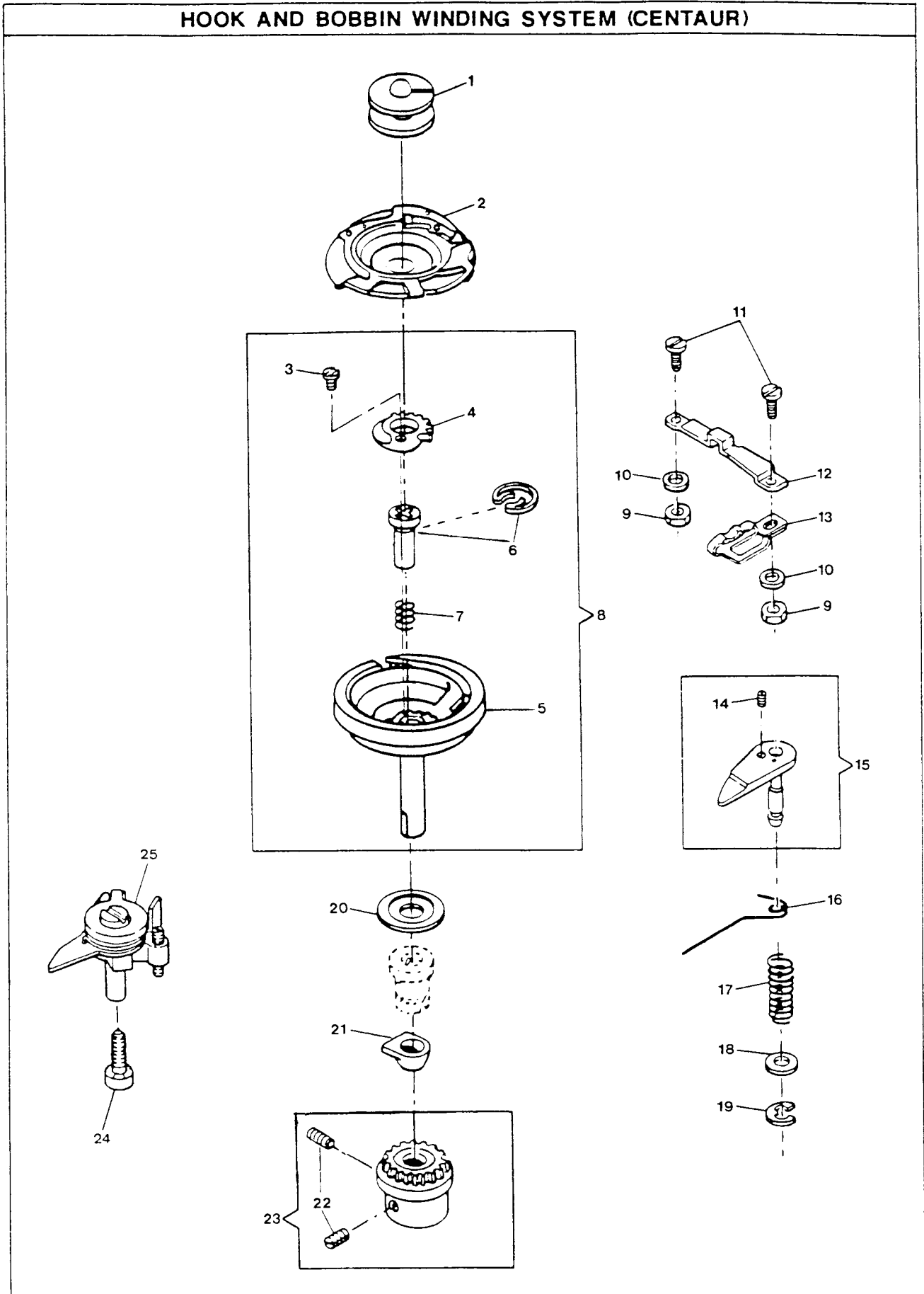
ALPHA FEED



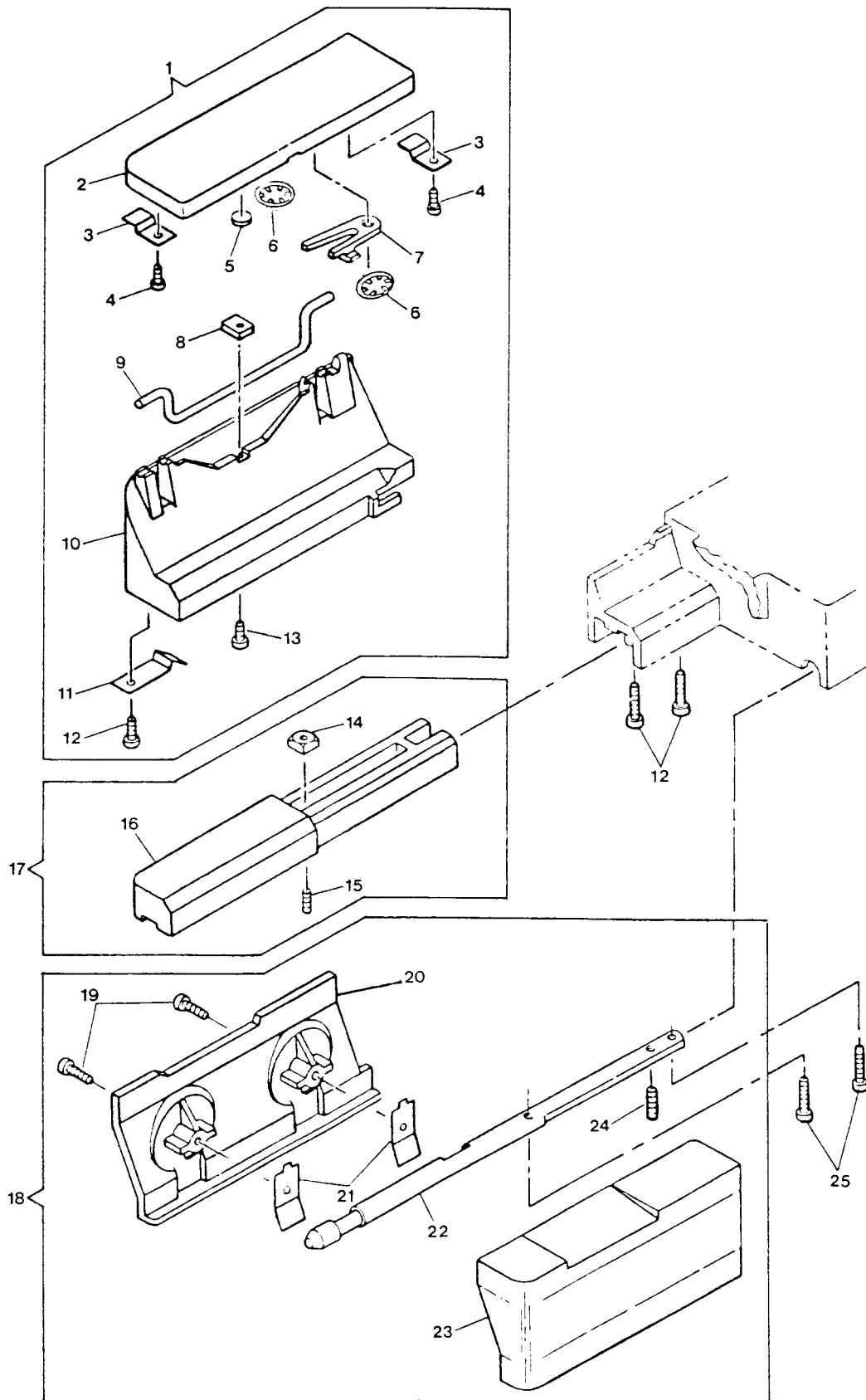
ALPHA FEED (CONT.)



HOOK AND BOBBIN WINDING SYSTEM (CENTAUR)

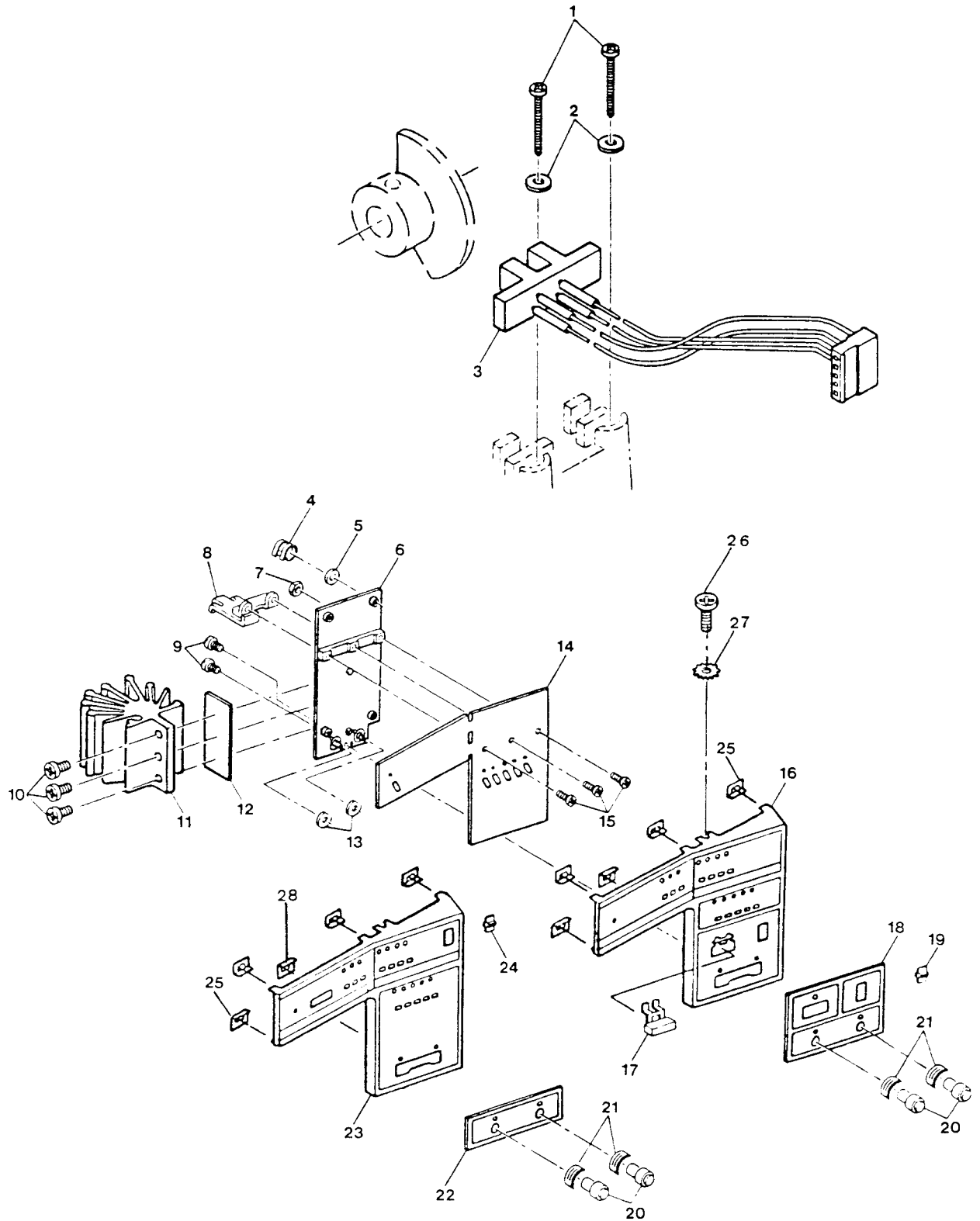


CLOTH PLATE

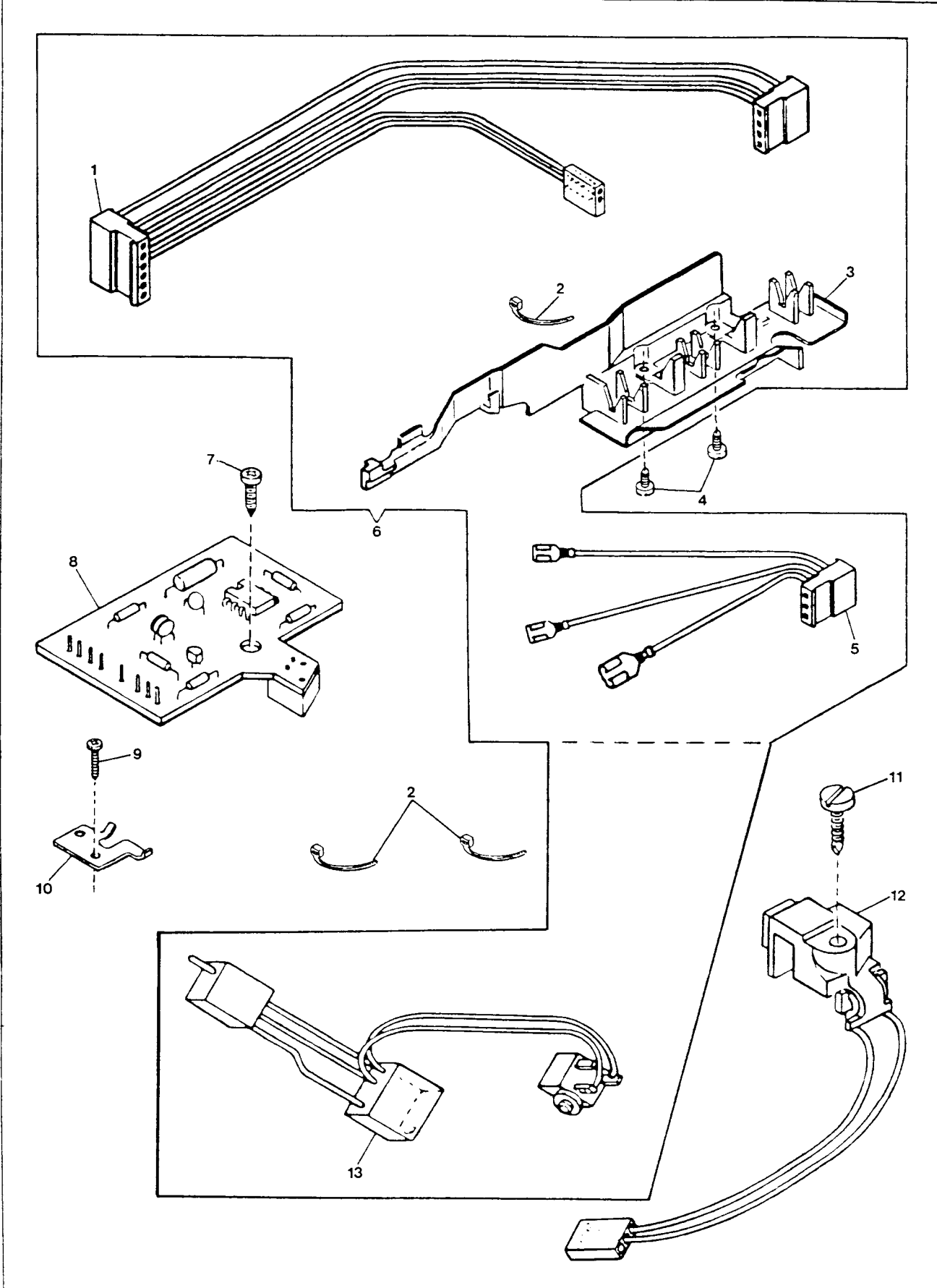


SENSOR ASSEMBLY (ARM SHAFT) / CONTROL PANEL ASSEMBLY			6	6
DESCRIPTION			2	2
REF	P/N		6	6
			7	8
1	113442-003	Sensor mounting bracket mounting screw	X	X
2	422241	Sensor mounting bracket mounting screw washer	X	X
3	988885-002	Arm shaft sensor harness assembly	X	X
4	979087-001	P.C. board & control panel mounting retainer	X	X
5	313578	P.C. board & control panel mounting washer	X	X
6	988875-005	Main control board assembly	X	
6	988818-006	Main control board assembly		X
7	514674-451	Nut	X	X
8	988849-001	Heat sink support bracket	X	X
9	354904-451	Control panel P.C. boards retainer screw	X	X
10	113374-451	Heat sink mounting screw	X	X
11	988820-001	Heat sink	X	X
12	605152-903	Heat sink insulator	X	X
13	988796-901	Bight & feed override potentiometer static guard	X	X
14	988808-005	Switch, L.E.D. board assembly	X	
14	988781-005	Switch, L.E.D. board assembly		X
15	544211-005	Screw	X	X
16	313550-001	Control panel assembly (U.S.A. & Canada)	X	
16	313550-002	Control panel assembly (Europe)	X	
17	313323-451	Reverse button assembly	X	
18	313399-002	Override knob panel with graphics (Europe)	X	
18	313399-001	Override knob panel with graphics (USA & Canada)	X	
19	313267-451	Twin needle switch knob		X
20	313266-451	Bight & feed override knob assembly	X	X
22	313322-002	Override knob panel with graphics (Europe)		X
22	313322-001	Override knob panel with graphics (USA & Canada)		X
23	313549-001	Control panel assembly (U.S.A. & Canada)		X
23	313549-002	Control panel assembly (Europe)		X
24	314059-451	Twin needle switch knob		X
25	314091	Control panel clip	X	X
26	544212-002	Control panel mounting screw	X	X
27	314157-451	Control panel mounting screw lock washer	X	X
28	314087-900	Control panel cushion (felt)		X

SENSOR ASSEMBLY (ARM SHAFT)/CONTROL PANEL ASSEMBLY



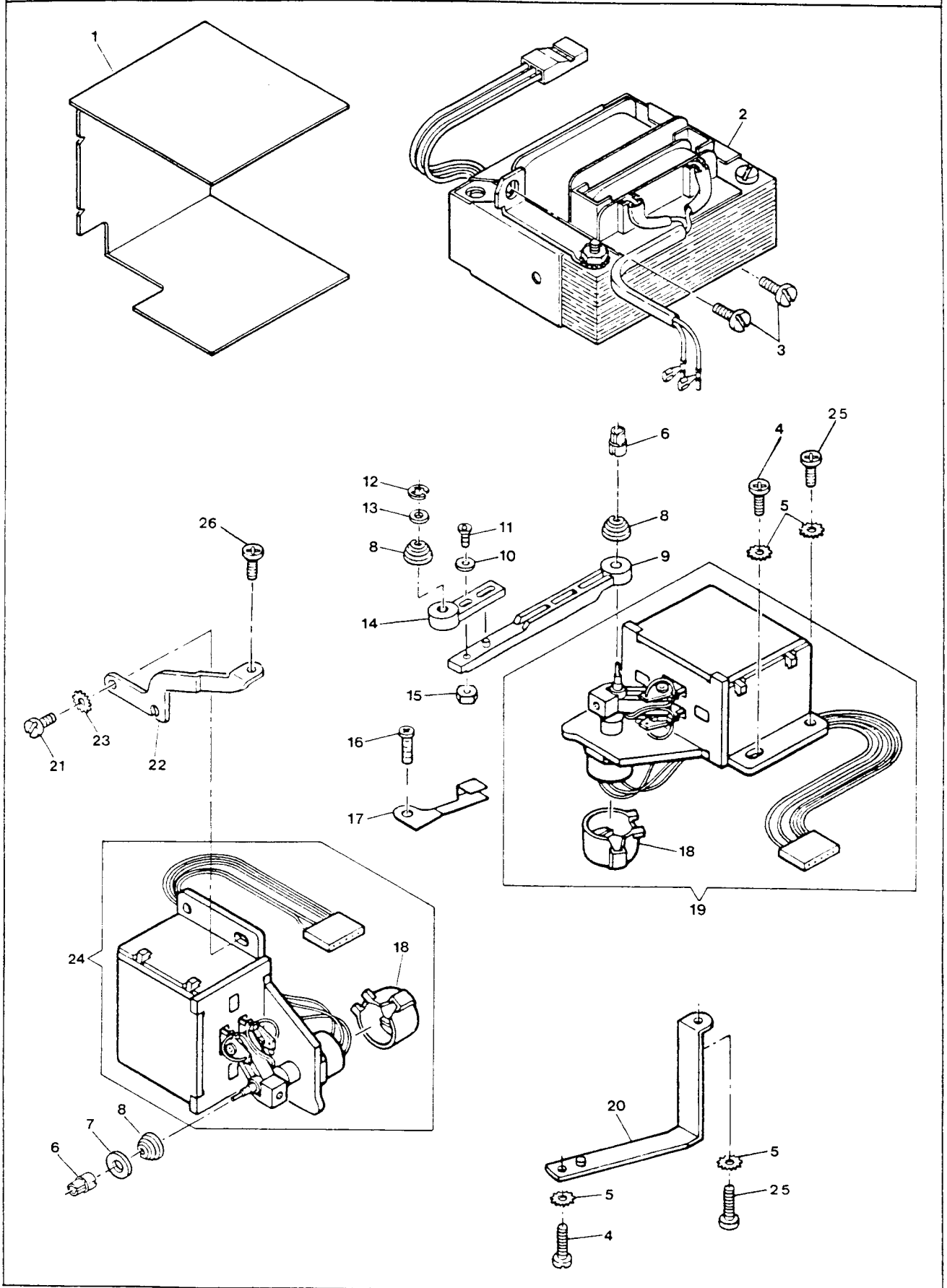
LOW BOBBIN DETECTOR BOARD/EMITTER ASSEMBLY



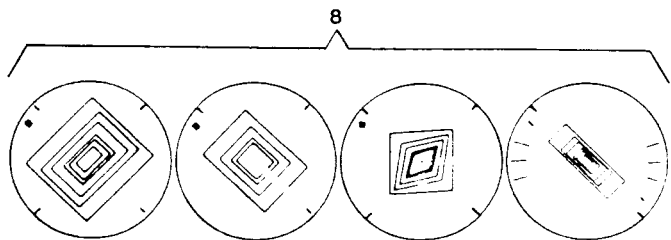
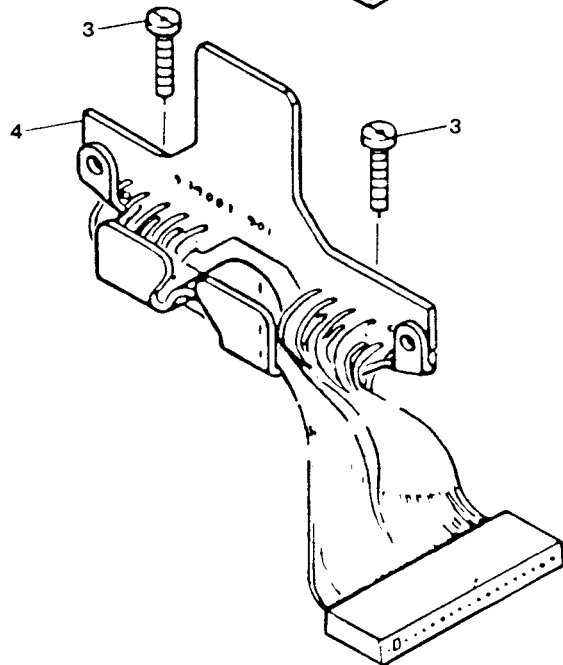
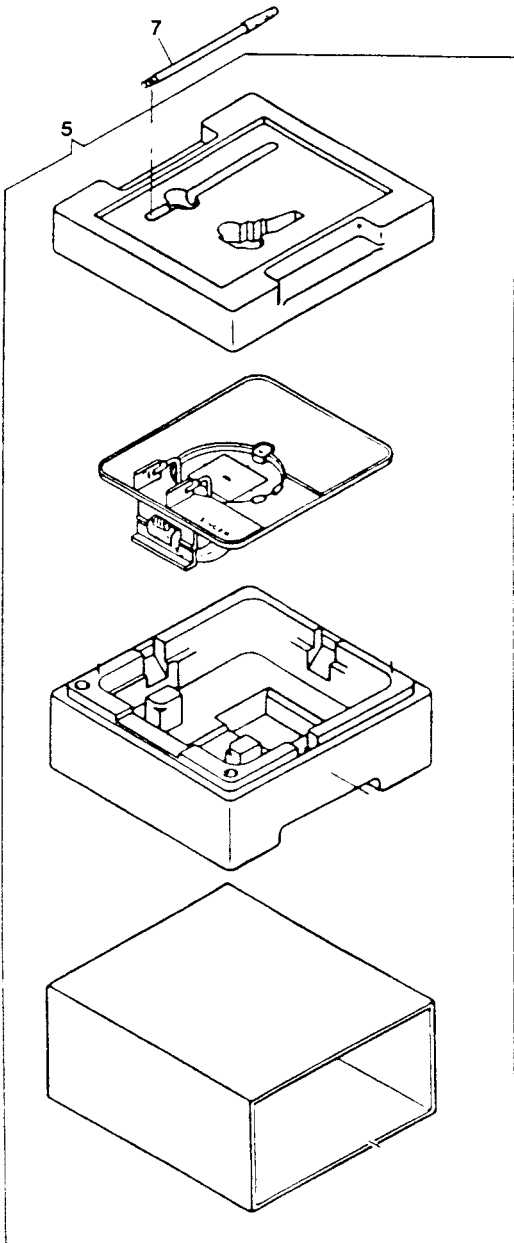
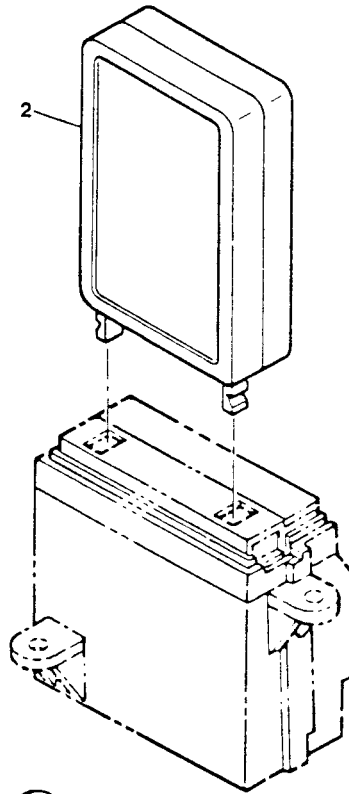
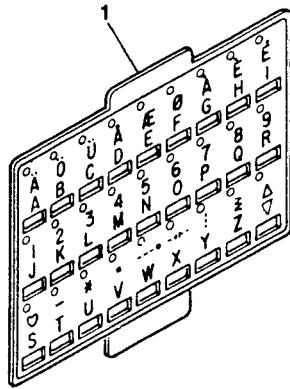
BIGHT AND FEED DRIVE LINEAR MOTORS - TRANSFORMER

REF	P/N	DESCRIPTION	6	6
1	979089-001	Transformer shield assembly (USA & AUSTRALIA ONLY)	X	X
2	988853-002	Transformer assembly (120V)	X	X
2	988855-004	Transformer assembly (240V) (Australia)	X	X
2	988897-002	Transformer assembly (100V)	X	X
2	988855-003	Transformer assembly (240V) (U.K.)	X	X
2	988854-002	Transformer assembly (220V)	X	X
3	113455-001	Transformer holding bracket clamping screw	X	X
4	113455-001	Bight drive linear motor mounting screw (left)	X	X
4	113455-001	Feed linear motor mounting bracket screw (left)	X	X
5	314157-451	Bight drive linear motor mounting lock washer	X	X
5	314157-451	Feed linear motor mounting lock washer	X	X
6	383537	Feed reg. shaft crank connecting link ret. sleeve (back) assy	X	X
6	383537	Needle bar driving arm retaining sleeve complete	X	X
7	314188-451	Feed reg. shaft crank connecting link friction spring washer	X	X
8	382602	Feed regulator shaft crank connecting link friction spring	X	X
8	382602	Needle bar driving arm ball joint spring	X	X
9	313247	Needle bar driving arm ball joint connecting link	X	X
10	931929-004	Needle bar driving arm ball joint screw washer	X	X
11	113408-002	Needle bar driving arm ball joint screw	X	X
12	312702	Needle bar driving arm ball joint retaining ring	X	X
13	314188-451	Needle bar driving arm ball joint washer	X	X
14	312839	Needle bar driving arm ball joint	X	X
15	514674-451	Needle bar driving arm ball joint screw nut	X	X
16	113445-005	Shunt & bight drive linear motor wiring harness ret. screw	X	X
17	313643	Shunt & bight drive linear motor wiring harness retainer	X	X
18	382909	Feed drive linear motor potentiometer cap (plastic)	X	X
18	382909	Bight drive linear motor potentiometer cap (plastic)	X	X
19	313473	Bight drive linear motor with harness	X	X
20	313833	Feed linear motor bracket complete	X	X
21	988046-001	Feed linear motor support bracket screw	X	X
22	314000	Feed linear motor support bracket	X	X
23	445157	Feed linear motor support bracket lock washer	X	X
24	313239	Feed drive linear motor assembly complete	X	X
25	113470-002	Bight drive linear motor mounting screw (right)	X	X
25	113470-002	Feed linear motor mounting bracket screw (right)	X	X
26	113470-001	Feed linear motor support bracket screw	X	X

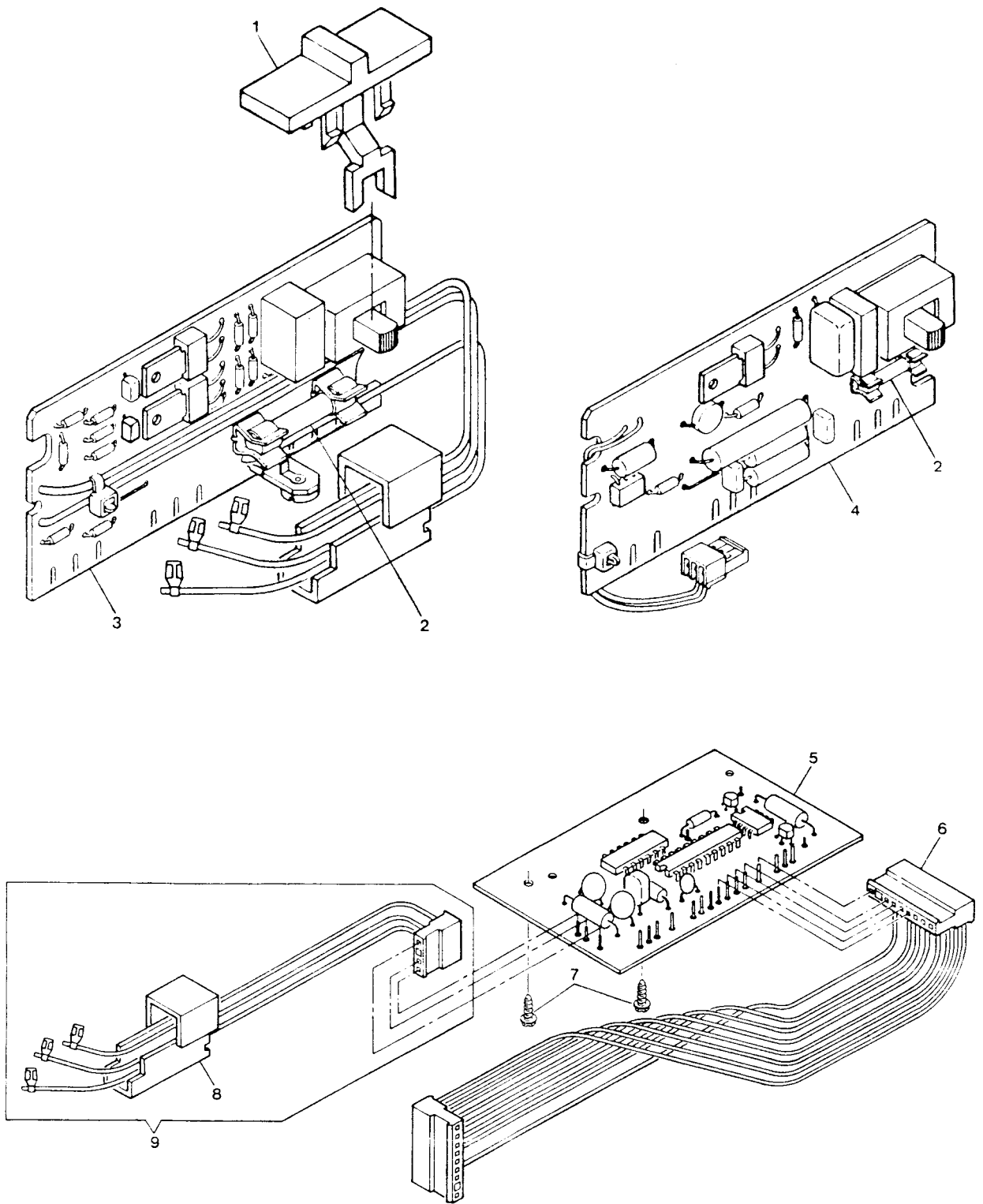
BIGHT AND FEED DRIVE LINEAR MOTORS/TRANSFORMER



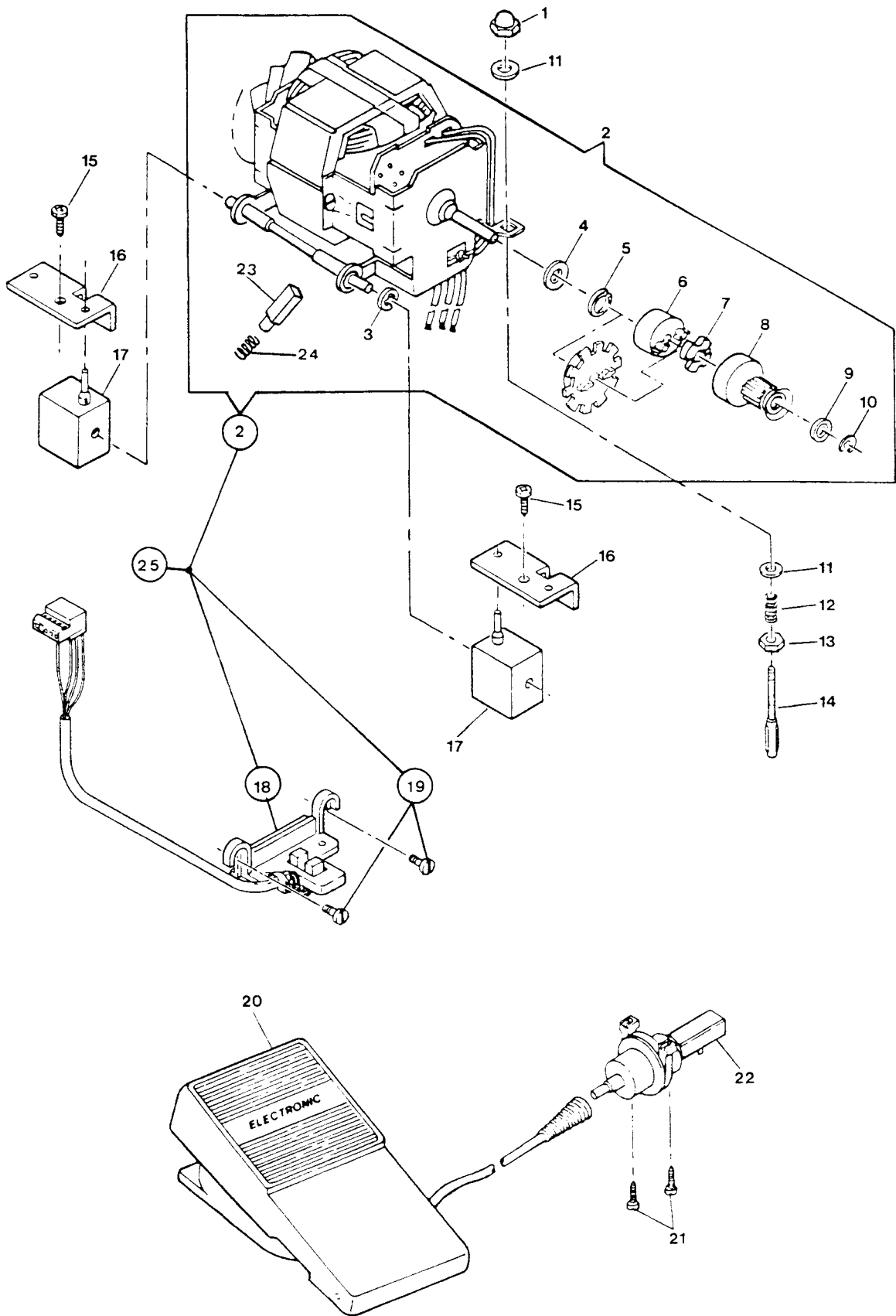
MODULE ALPHABETIC AND MONOGRAM/EMBROIDERY ATTACHMENT



SPEED CONTROL/MOTOR CONTROL P.C. BOARD ASSEMBLY



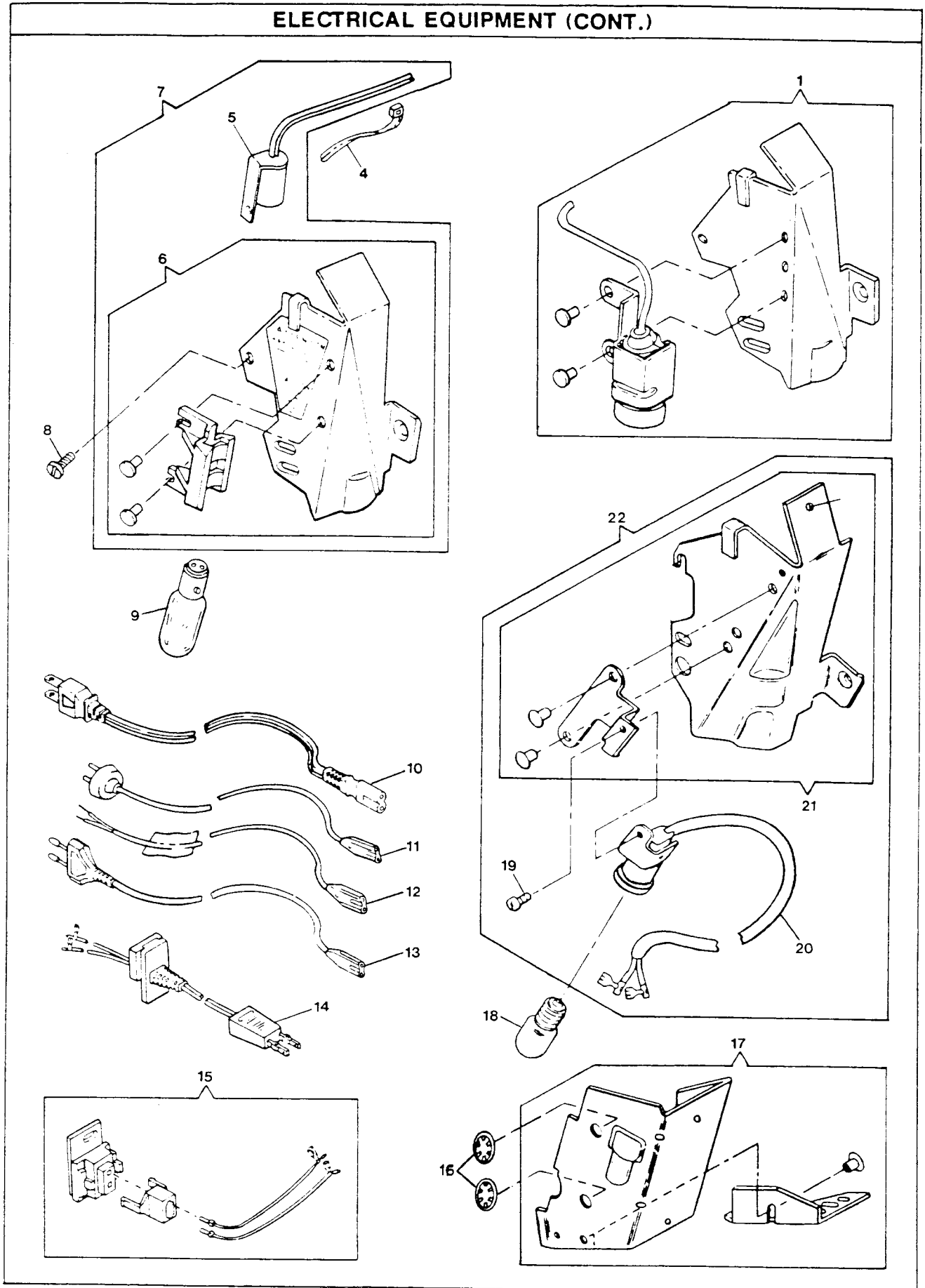
ELECTRICAL EQUIPMENT



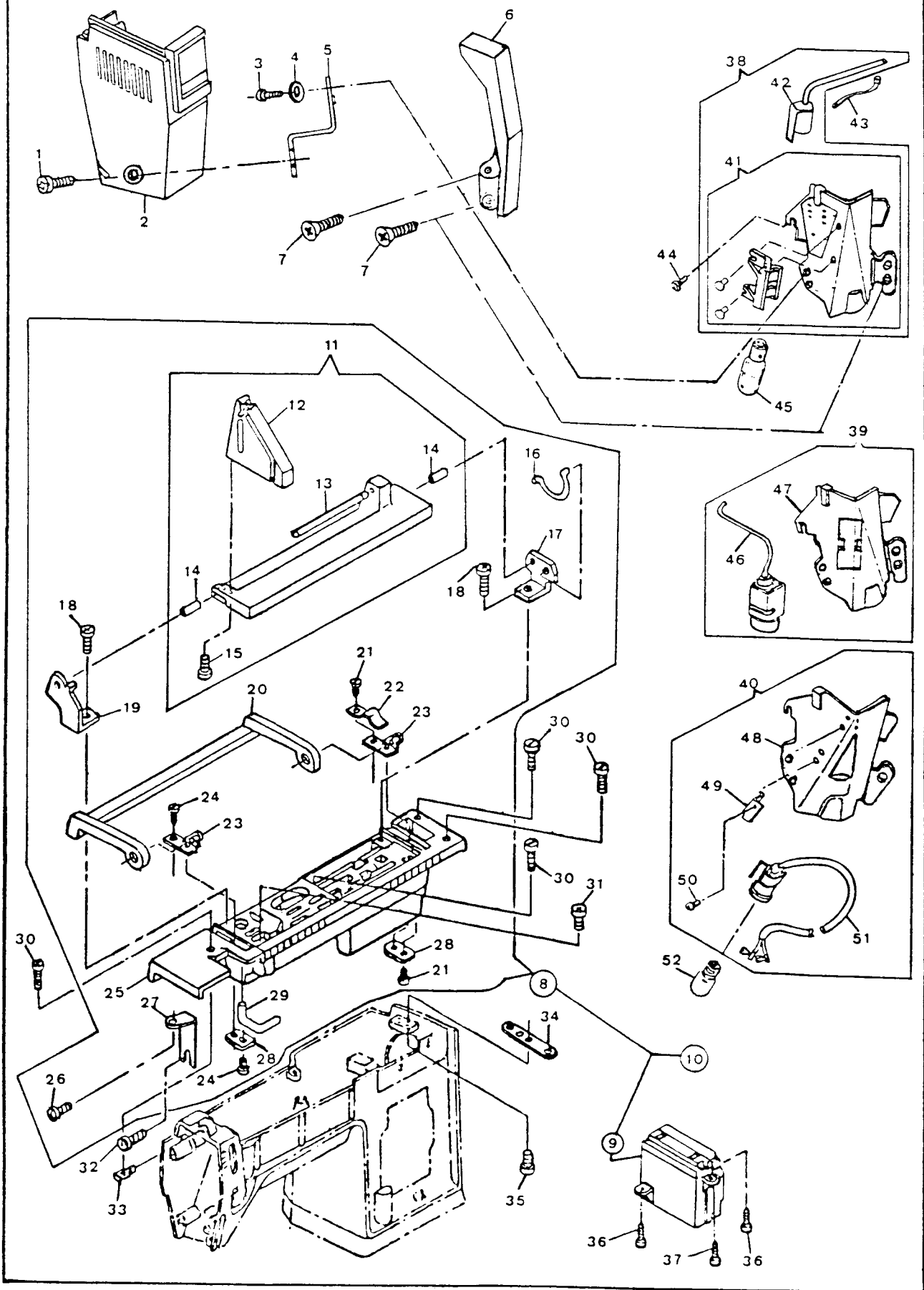
ELECTRICAL EQUIPMENT			6	6
REF	P/N	DESCRIPTION	2	2
			6	6
			7	8
1	314150-451	Motor adjusting stud lock nut	X	X
2	988529-015	Motor Comp. (Cat. No. TAN 4-11) 220 Volt	X	
2	988529-019	Motor Comp. (Cat. No. TAN 3-8) 120 Volt		X
2	988529-020	Motor Comp. (Cat. No. TAN 3-11) 220 Volt		X
2	988529-014	Motor Comp. (Cat. No. TAN 4-8) 120 Volt	X	
2	988529-021	Motor comp. (Cat. No. TAN 4-7) 100 Volt	X	
3	313903	Motor hinge pin retaining ring	X	X
4	931744-001	Spacer washer (as required)	X	X
4	931744-103	Spacer washer (as required)	X	X
4	931744-002	Spacer washer (as required)	X	X
4	931744-003	Spacer washer (as required)	X	X
5	603908-001	Retaining ring	X	X
6	988738-002	Motor pulley isolator hub	X	
6	988738-001	Motor pulley isolator hub		X
7	988795-001	Motor pulley torque cushion	X	X
8	979124-001	Pulley with belt retainer	X	X
9	988717-001	Washer	X	X
10	619279-902	Motor pulley isolator hub retaining ring	X	X
11	37969	Motor adjusting stud nut washer	X	X
12	314058	Motor belt tension spring	X	X
13	53646	Motor adjusting stud nut	X	X
14	988653-001	Motor adjusting stud	X	X
15	113470-002	Motor mounting screw	X	X
16	988651-001	Clip	X	X
17	988654-001	Resilient mount	X	X
18	988776-001	Motor speed sensor harness assembly		X
19	544211-002	Pan head screw		X
20	988667-001	Pneumatic controller assembly	X	X
21	113444-003	Pneumatic transducer mounting screw	X	X
22	988549-005	Pneumatic transducer	X	
22	988549-003	Pneumatic transducer		X
23	619435-013	Brush (2) (Alternate 619435-015)	X	X
24	619436-001	Spring (2)	X	X
25	988745-003	Motor assembly with sensor 120 Volt		X
25	988745-004	Motor assembly with sensor 220 Volt		X
25	988745-005	Motor assembly with sensor 100 Volt		X

REF	P/N	DESCRIPTION	6	6
			2	2
ELECTRICAL EQUIPMENT (cont.)			6	6
			7	8
1	988723-005	Heat shield assembly with harness and light (220/240 Volt) (Europe/ U.K.)	X	X
1	988723-006	Heat shield assembly with harness and light (240 Volt) (Australia)	X	X
4	605600-001	Self-locking Ty-Rap	X	X
5	988728-004	Lamp socket (120 Volt)(U.S./Canada)	X	X
6	988726-001	Heat shield assembly (U.S./Canada)	X	X
7	988730-004	Heat shield assembly with light and harness (120 Volt) (U.S./Canada)	X	X
8	544211-002	Heat shield mounting screw (top)	X	X
9	194120-021	Light bulb (240 Volts)	X	X
9	194120-020	Light bulb (220 Volts)	X	X
9	194120-019	Light bulb (120 Volts)	X	X
10	411942-001	Appliance coupler (Japan)	X	X
11	988638-004	Appliance coupler (Australia)	X	X
12	988638-006	Appliance coupler (U.K.)	X	X
13	988638-005	Appliance coupler (Europe)	X	X
14	988557-004	Card w/strain relief and plug (U.S./Canada)	X	X
15	988657-005	Cord with receptacle (Europe/U.K./Australia/Japan)	X	X
16	314477	Light shield retaining clip	X	X
17	988729-001	Light shield assembly	X	X
18	549887-001	Light bulb (100 Volt) (screw base)	X	X
19	544187	Lamp socket mounting screw	X	X
20	979164-006	Lamp socket (100 Volt) (Japan)	X	X
21	979163-001	Heat shield assembly (Japan)	X	X
22	979162-004	Heat shield assembly with light and harness (100 Volt)(Japan)	X	X

ELECTRICAL EQUIPMENT (CONT.)



NEW COVERS AND LIGHT ASSEMBLY
IN PRODUCTION FROM SEPTEMBER 1987



NEW COVERS AND LIGHT ASSEMBLY IN PRODUCTION FROM SEPTEMBER 1987			6 6
			2 2
REF	P/N	DESCRIPTION	6 6
			7 8
1	354133-452	Face plate mounting screw	X X
2	314413-001	Face plate assembly complete (USA/CANADA)	X X
2	314413-002	Face plate assembly complete (INTERNATIONAL)	X X
2	314413-003	Face plate assembly complete (EUROPE)	X
2	314413-004	Face plate assembly complete (EUROPE)	X
3	544211-002	Lint & Heat Shield mounting screw	X X
4	446138	Lint & Heat Shield mounting screw washer	X X
5	314263	Face plate mounting bracket	X X
6	314480	Thread take-up cover assembly	X X
7	113470-003	Thread take-up cover mounting screw	X X
8	314416-451	Arm top cover assembly	X
9	313532-451	Patter module receptacle assembly	X
10	314417-451	Arm top cover assembly	X
11	314398-001	Arm top cover lid assembly	X
11	314398-002	Arm top cover lid assembly	X
12	313563-451	Arm top cover lid thread guide assembly	X X
13	312940-451	Spool pin (Horizontal)	X X
14	314478	Arm top cover lid Hinge pin	X X
15	113364-451	Arm top cover lid thread guide screw	X X
16	313435	Arm top cover lid hinge spring	X X
17	313213	Arm top cover lid hinge (right)	X X
18	113445-006	Arm top cover lid hing mounting screw (left & right)	X X
19	314401	Arm top cover lid hinge (left)	X X
20	314384-451	Arm top cover machine handle	X X
21	113520-451	Arm top cover machine handle hinge bracket screw (right)	X X
22	314485	Arm top cover machine handle retaining spring (right)	X X
23	314386	Arm top cover machine handle hinge bracket (left & right)	X X
24	113519-451	Arm top cover machine handle hinge bracket screw (left)	X X
25	314394-451	Arm top cover (W/GRAPHICS)	X
25	314395-451	Arm top cover (W/GRAPHICS)	X
26	113442-002	Arm top cover support bracket screw	X X
27	314337	Arm top cover support bracket	X X
28	314560	Arm top cover machine handle nut plate (left & right)	X X
29	314399-900	Arm top cover thread weat bar	X X
30	354927-002	Arm top cover mounting screw (Right(2)/Center/Left)	X X
31	113445-016	Arm top cover screw (left)	X X
32	514675-452	Arm top cover support bracket	X X
33	314511	Arm top cover mounting stud (left)	X X
34	314402	Arm top cover mounting plate (right)	X X
35	544212-005	Arm top cover mounting plate mounting screw (right)	X X
36	113442-003	Pattern module sleeve mounting screw	X
37	113442-002	Pattern module sleeve mounting screw	X
38	979248-001	Lint & heat shield assembly w/light & harness (USA/CANADA)	X X
39	979249-001	Lint & heat shield assembly W/light & harness (EUROPE/U.K.)	X X
39	979249-002	Lint & heat shield assembly W/light & harness (AUSTRALIA)	X X
40	979250-001	Lint & heat shield assembly W/light & harness (JAPAN)	X X
41	314596-003	Lint & heat shield assembly (USA/CANADA)	X X
42	988728-004	Lamp socket (120 V.)(U.S./CANADA)	X X
43	605600-001	Self-locking Ty-Rap	X X
44	544211-002	Lint & heat shield mounting screw (TOP)	X X
45	194120-019	Light bulb (120 V.)	X X
45	194120-020	Light bulb (220 V.)	X X
45	194120-021	Light bulb (240 V.)	X X
46	979203-005	Light assembly (EUROPE/U.K.)	X X
46	979203-006	Light assembly (AUSTRALIA)	X X
47	314596-001	Lint & heat shield assembly (EUROPE/U.K./Australia)	X X
48	314264-900	Lint & heat shield (JAPAN)	X X
49	314277-451	Light mounting spacer (JAPAN)	X X
50	544187	Lamp socket mounting screw	X X
51	979164-006	Lamp socket (100 V.) complete (JAPAN)	X X
52	549887-003	Light bulb (100 V.)(screw base/JAPAN)	X X