

SINGER
6233/6234/6235

LIST OF PARTS

Sewing Machine Models

6233

6234

6235

by **SINGER***



A Publication of Product Support
International Group Engineering

Part No. 119675-001

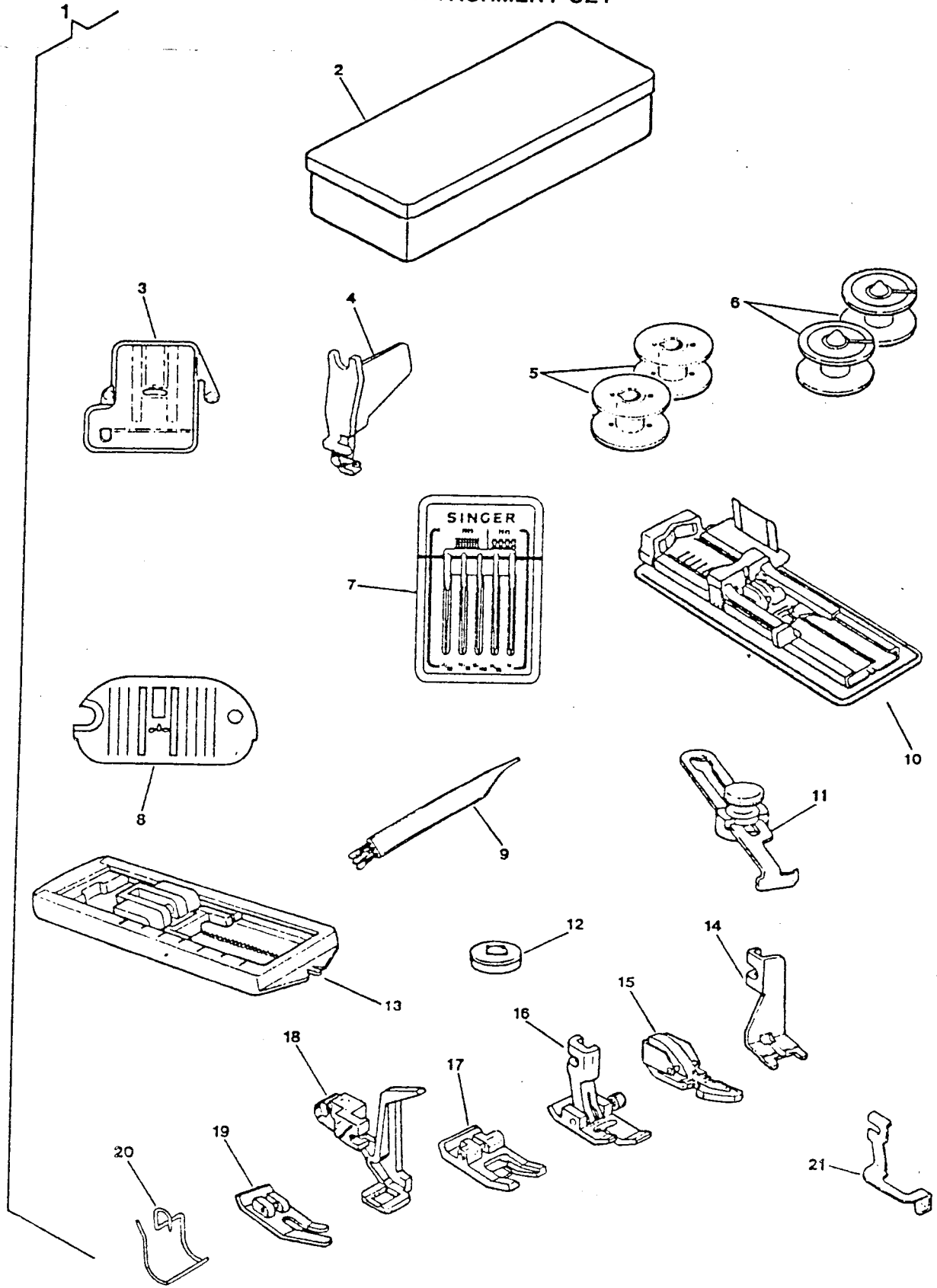
Printed in Taiwan

INDEX

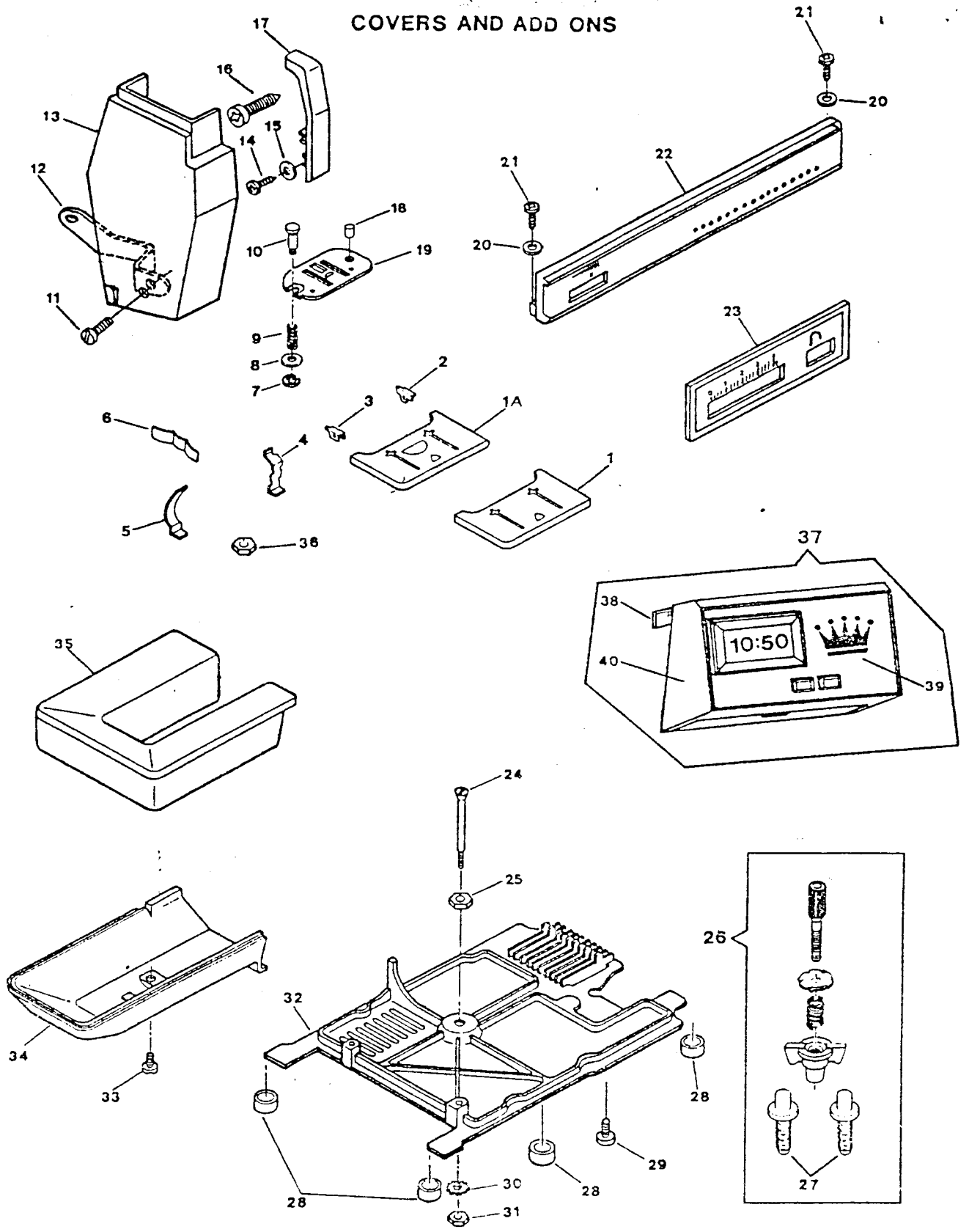
PAGE NO.	SUBASSEMBLY
1, 2	ATTACHMENT SET
3, 4	COVERS AND ADD ONS
5, 8	ARM TOP COVER
9, 10	ARM SHAFT DRIVE SYSTEM
11, 12	HAND WHEEL
13, 14	COAXIAL PRESSER BAR SYSTEM
15, 16	NEEDLE BAR & THREAD TAKE-UP
17, 22	ALPHA FEED
23, 24	HOOK SYSTEM (APOLLO)
25, 26	HOOK AND BOBBIN WINDING SYSTEM (CENTAUR)
27, 32	PATTERN, STITCH LENGTH CONTROL & CAM CONTROLLED FEED
33, 34	DEMAND RESPONSIVE NEEDLE TENSION SYSTEM
35, 38	ELECTRICAL EQUIPMENT

ATTACHMENT SET			6 6 6
REF. NO.	PART NO.	DESCRIPTION	2 2 2
			3 3 3
			3 4 5
1	313030	Attachment complete	X
1	313031	Attachment complete	X
1	313032	Attachment complete	X
2	402673-455	Accessory box complete (ALT: 402673-454)	X X
3	313117	Feed cover plate	X X
4	503277	Needle threader complete	X
5	172336	Bobbin	X X
6	312956	Bobbin	X X X
7	353364	Needle pack (ALT: 384064)	X
8	313066	Throat plate for straight sewing	X X X
9	546358	Lint Brush	X
10	313093-451	Buttonhole (one-step) complete (ALT: NT-1321)	X X
11	161172	Seam & blindstitch hem guide complete	X
12	507664-459	Arm spool pin thread lead-off (small, plastic)	X X
13	313992-451	Presser foot plate (snap-on) for sewing buttonholes	X
14	381066	Presser foot plate for button sewing	X X X
15	171480	Presser foot plate (snap-on) for cording & slide fasteners compl.	X
16	381491	Blind hem presser foot assembly	X X X
17	171463	Special purpose presser foot plate (snap-on)	X X
18	384037	Darning & embroidery foot complete (plastic)	X
19	384045	Presser foot plate (snap-on) for straight sewing	X
19	161919	Presser foot plate (snap-on) for straight sewing (alternate)	X X X
20	421588	Finger guard attached to presser bar for Italy and U.S. school machines. In accessory box for France	X X
21	171110	Blindstitch guide	X X

ATTACHMENT SET



COVERS AND ADD ONS

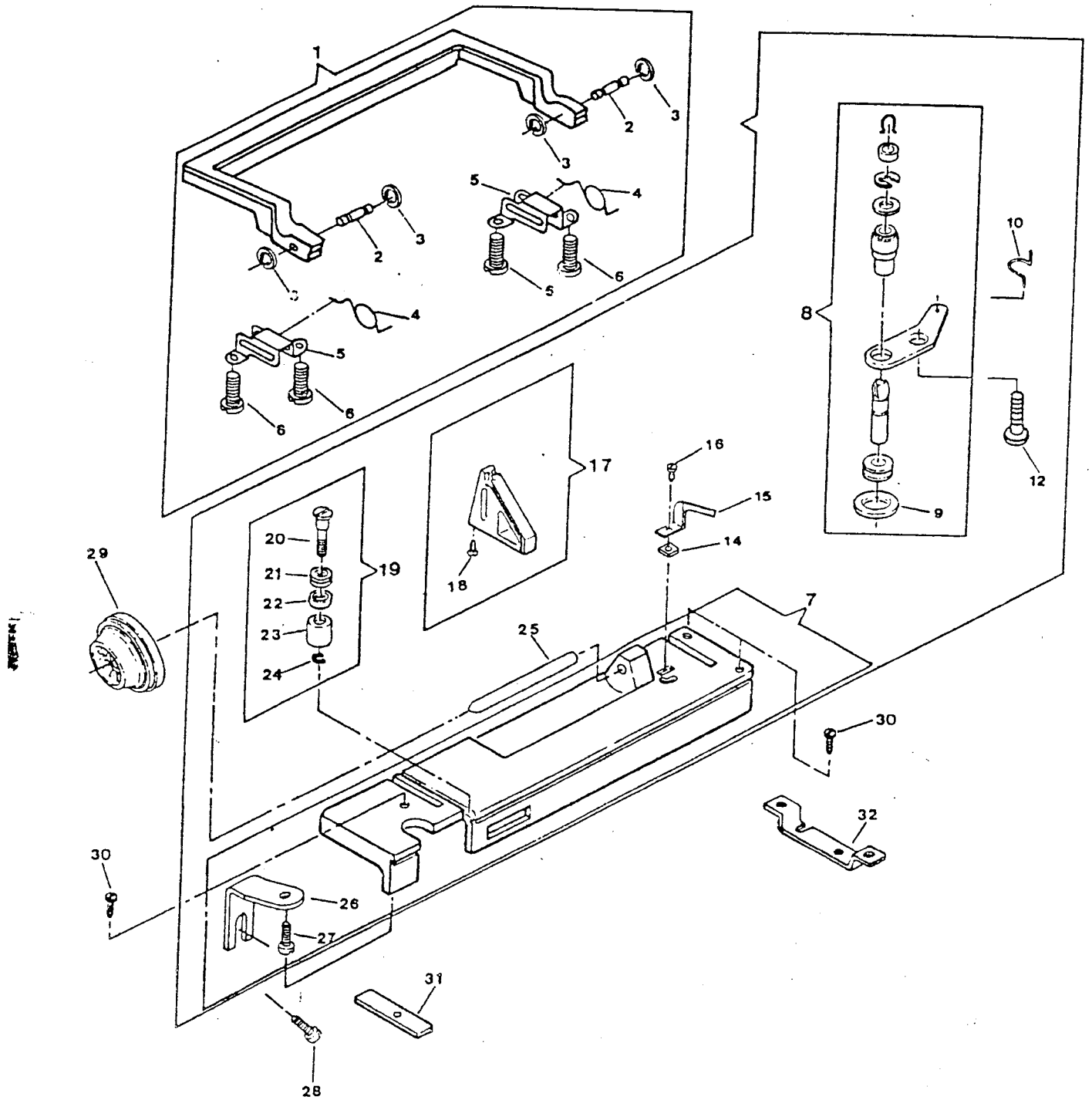


COVERS AND ADD ONS			6 6 6
REF.	PART	DESCRIPTION	2 2 2
NO.	NO.		3 3 3
			3 4 5
1	314666	Bed slide assembly compl. (Apollo)	X
1A	314109	Bed slide assembly compl. ALT:313166	X X
2	312779	Bed slide spring (right)	X X
2	314669	Bed slide spring (right)	X
3	313108	Bed slide spring (left)	X X
3	314670	Bed slide spring (left)	X
4	313178	Bed slide stop	X
5	313179	Bed slide stop spring	X
6	313118	Cloth plate spring	X X X
7	313098	Throat plate plunger retaining ring	X X X
8	549426-451	Throat plate plunger washer	X X X
9	312805	Throat plate plunger spring	X X X
10	312804	Throat plate plunger	X X X
11	113521-451	Face plate mounting screw	X X X
12	314263	Face plate mounting bracket	X X X
13	314259-451	Face plate complete	X X X
14	113470-003	Thread take-up cover mounting screw	X X X
15	314455	Thread take-up cover mounting screw washer	X X X
16	113455-004	Thread take-up cover mounting screw	X X X
17	314718-451	Thread take-up cover	X X X
18	353624	Throat plate locating pin	X X X
19	312777	Throat plate for zig zag sewing	X X X
20	502495-451	Control panel screw washer	X
21	113455-001	Control panel screw	X
22	314647	Control panel with graphics assembly (U.S./Canada)	X
22	314649	Control panel with graphics assembly (Europe)	X
23	312883-001	Stitch length control panel (U.S./Canada)	X X
23	313152-001	Stitch length control panel assembly (U.S./Canada)	X
23	312883-002	Stitch length control panel (Europe)	X X
23	313152-002	Stitch length control panel (Europe)	X
24	313052-451	Bottom cover mounting bolt	X X X
25	313173-451	Bottom cover mounting bolt mounting nut	X X X
26	313180	Machine hold down mounting kit	X X X
27	148869	Machine locator pin	X X X
28	313909-451	Bed leg cushion	X X X
29	113455-002	Bed cover plate (bottom) screw	X X X
30	313172-451	Bottom cover mounting bolt washer	X X X
31	313177-452	Bottom cover mounting bolt mounting nut	X X X
32	312774-001	Bed cover plate (bottom)	X X X
33	354633-452	Bed cover (tubular) screw	X X X
34	312773-451	Bed cover tubular (assembly)	X X X
35	313882-451	Cloth plate assembly	X X X
36	313049	Bed insert nut	X X X

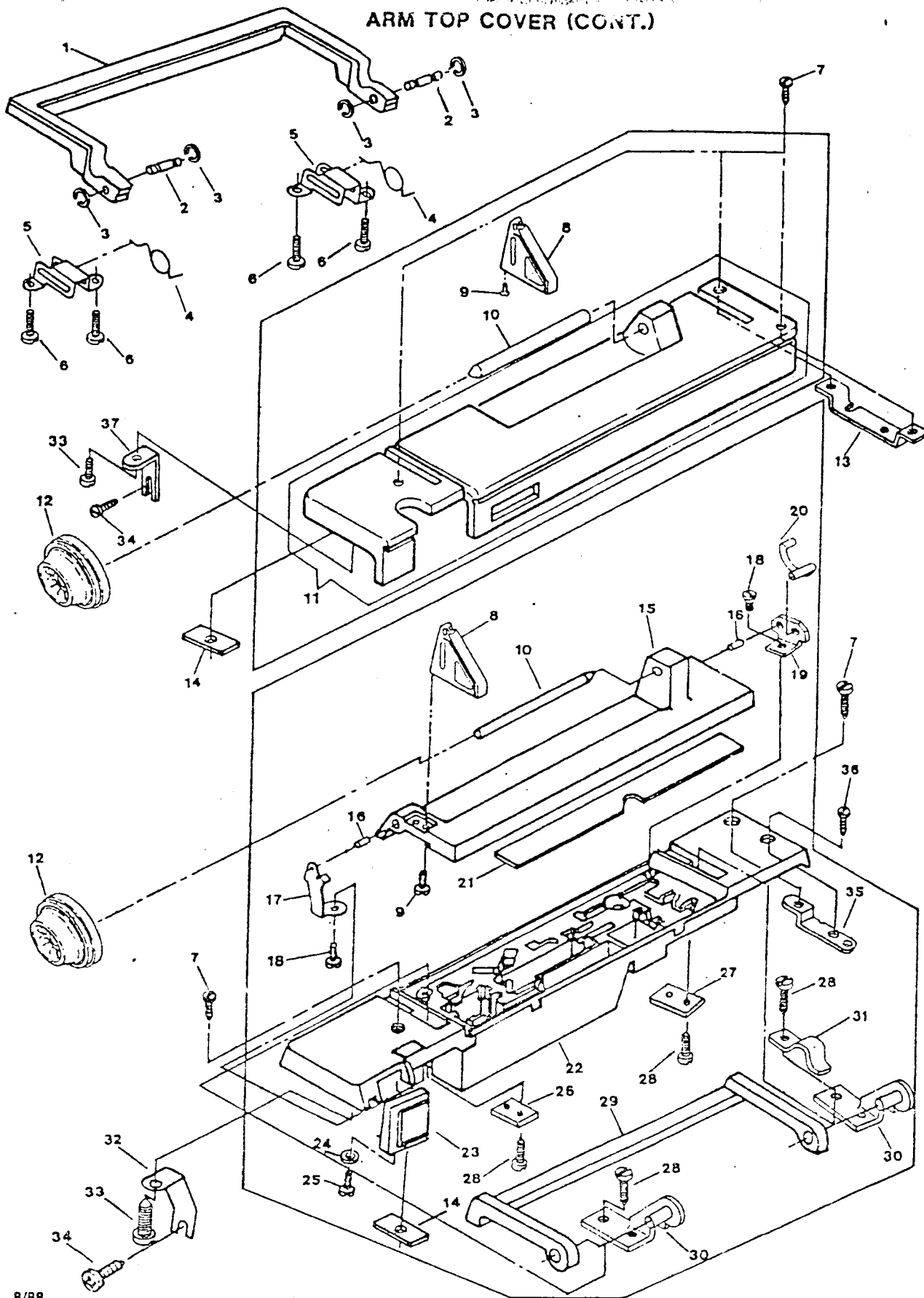
ARM TOP COVER

REF. NO.	PART NO.	DESCRIPTION	6	6	6
1	314270-451	Arm top cover machine handle	X		
2	314274	Arm top cover machine handle hinge pin	X		
3	312686	Arm top cover machine handle hinge pin retaining ring	X		
4	314501	Arm top cover machine handle mounting bracket spring	X		
5	314271	Arm top cover machine handle mounting bracket	X		
6	113455-003	Arm top cover machine handle mounting bracket screw	X		
7	314641-001	Arm top cover assembly (USA & Canada)	X		
7	314641-002	Arm top cover assembly (Europe)	X		
7	314641-003	Arm top cover assembly (International)	X		
7	313641-004	Arm top cover assembly (Japan)	X		
8	314675	Bobbin winder assembly	X		
9	314045-451	Bobbin winder friction ring	X		
10	312897	Bobbin winder lever spring	X		
12	314672	Bobbin winder lever hinge stud	X		
14	314711-451	Bobbin winder stop screw nut	X		
15	312894	Bobbin winder stop	X		
16	141808-453	Bobbin winder stop screw	X		
17	313563	Arm top cover thread guide assembly	X		
18	354810-451	Arm top cover thread guide screw	X		
19	313536	Bobbin winder tension assembly	X		
20	179812	Bobbin winder tension stud	X		
21	45847	Bobbin winder tension disc spring	X		
22	45915	Bobbin winder tension disc	X		
23	319606	Bobbin winder tension stud collar	X		
24	319663-452	Bobbin winder tension stud retaining ring	X		
25	312940-451	Spool pin (Horizontal)	X		
26	314337	Arm top cover support bracket	X		
27	113442-002	Arm top cover support bracket screw (left)	X		
28	113516-451	Arm top cover support bracket screw (right)	X		
29	179967-451	Spool pin thread lead-off (medium & large)	X		
30	354927-001	Arm top cover mounting screw (3)	X		
31	312892	Arm top cover mounting plate (left)	X		
32	314275	Arm top cover mounting plate (right)	X		

ARM TOP COVER



ARM TOP COVER (CONT.)



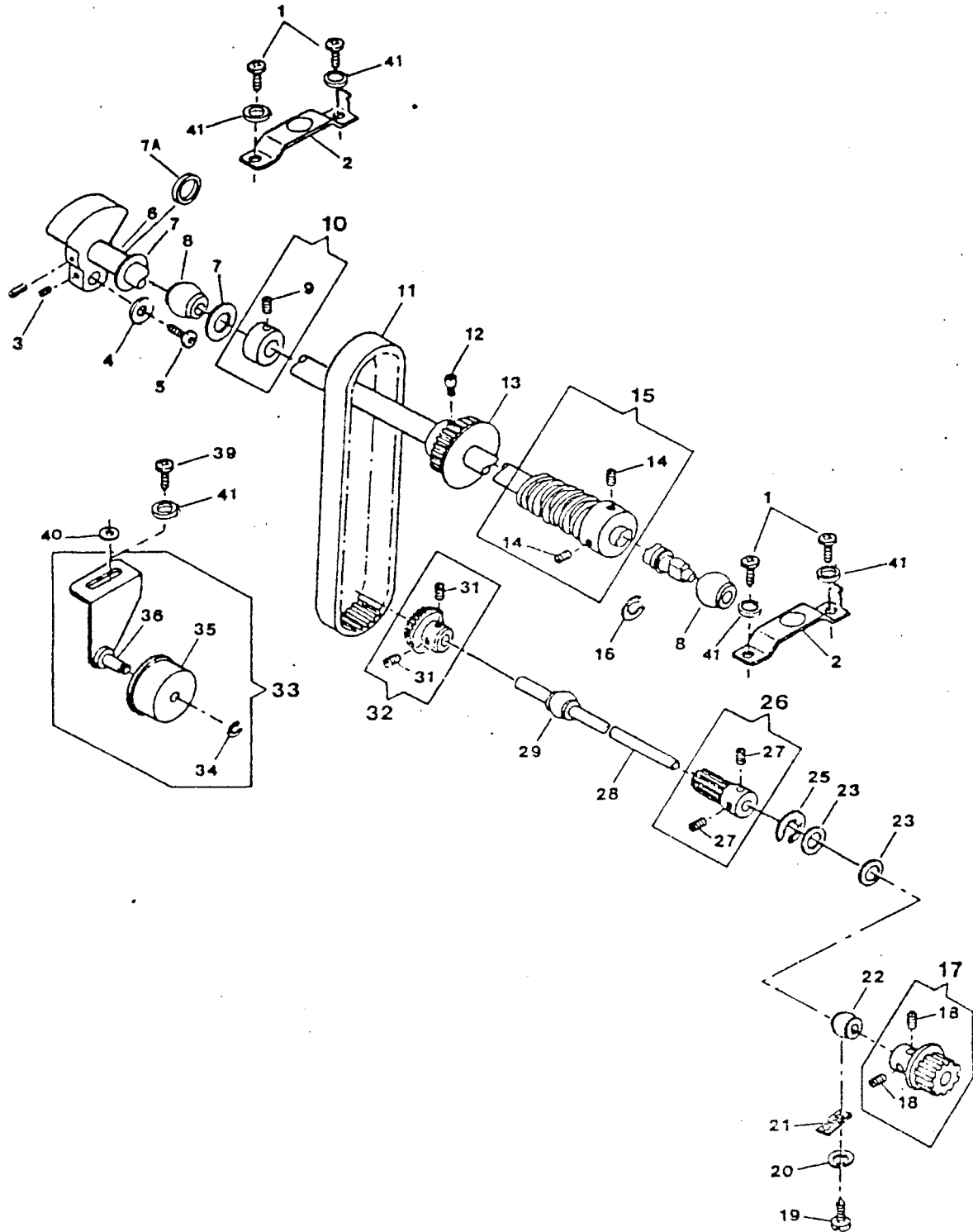
8/88

ARM TOP COVER (CONT.)			6 6 6
REF. NO.	PART NO.	DESCRIPTION	2 2 2
			3 3 3
			3 4 5
1	314270-451	Arm top cover machine handle	X
2	314274	Arm top cover machine handle hinge pin (2)	X
3	312686	Arm top cover machine handle hinge pin retaining (4)	X
4	314501	Arm top cover machine handle spring (2)	X
5	314271	Arm top cover machine handle mounting bracket (2)	X
6	113455-008	Arm top cover machine handle mounting bracket screw (4)	X
7	354927-001	Arm top cover mounting screw	X X
8	313563-451	Arm top cover thread guide assembly	X X
9	354810-451	Arm top cover thread guide screw	X
9	113501-451	Arm top cover thread guide screw	X
10	312940-451	Spool pin (Horizontal)	X X
11	314642-001	Arm top cover assembly (USA & Canada)	X
11	314642-002	Arm top cover assembly (Europe)	X
11	314642-003	Arm top cover assembly (International)	X
12	179967-451	Spool pin thread lead-off (medium & large)	X X
13	314275	Arm top cover mounting plate (right)	X
14	312892	Arm top cover mounting plate (left)	X X
15	314380-900	Arm top cover lid (molded)	X
16	314478	Arm top cover lid hinge pin	X
17	314618	Arm top cover lid hinge (left)	X
18	113445-006	Arm top cover lid hinge screw (2)	X
19	313213	Arm top cover lid hinge (right)	X
20	313435	Arm top cover lid spring	X
21	314381-900	Arm top cover lid assessorly label	X
22	314379-900	Arm top cover molded	X
23	314390-001	Control panel extension assembly (USA/Canada/Internation)	X
23	314390-002	Control panel extension assembly (Europe)	X
24	502495-451	Control panel extension washer	X
25	113455-003	Control panel extension screw	X
26	314561	Arm top cover machine handle hinge bracket nut plate (left)	X
27	314560	Arm top cover machine handle hinge bracket nut plate (right)	X
28	113520-451	Arm top cover machine handle hinge bracket screw (right & left)	X
29	314384-451	Arm top cover machine handle	X
30	314386	Arm top cover machine handle hinge bracket complete (2)	X
31	314485	Arm top cover machine handle retaining spring	X
32	314391	Arm top cover support bracket	X
33	113442-002	Arm top cover support bracket (left) mounting screw	X X
34	113516-451	Arm top cover support bracket (right) screw	X X
35	314387	Arm top cover support bracket	X
36	354954-451	Arm top cover mounting screw (right front)	X

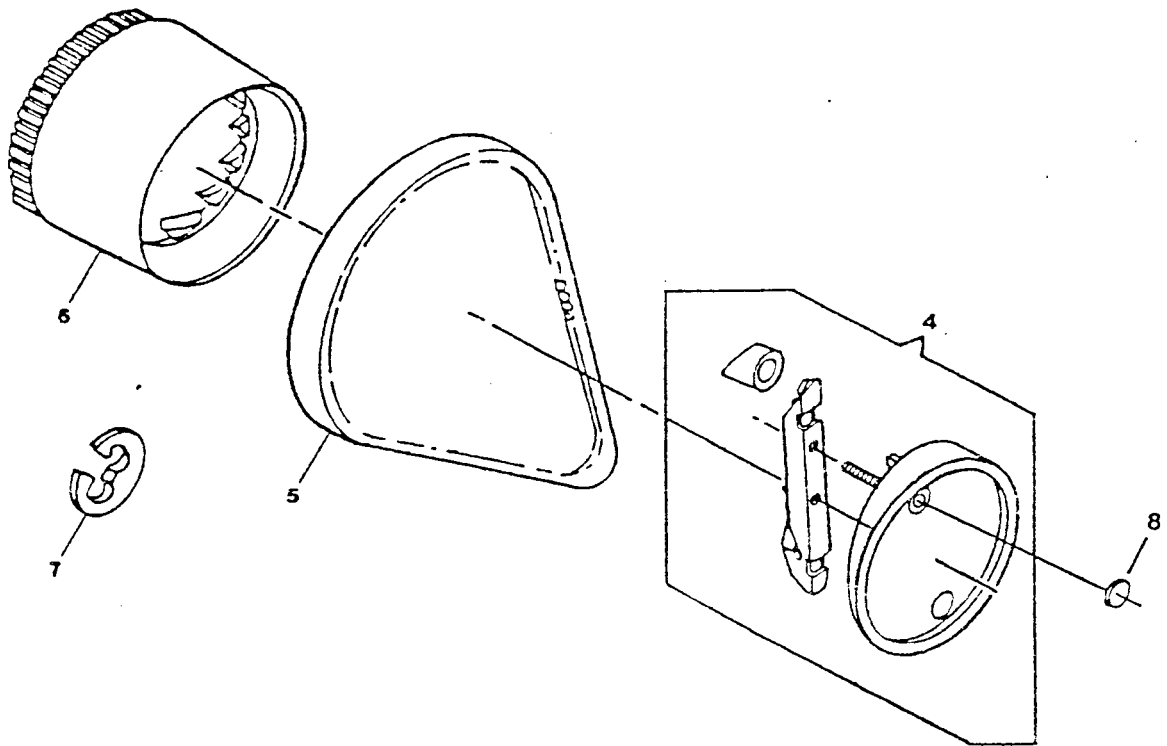
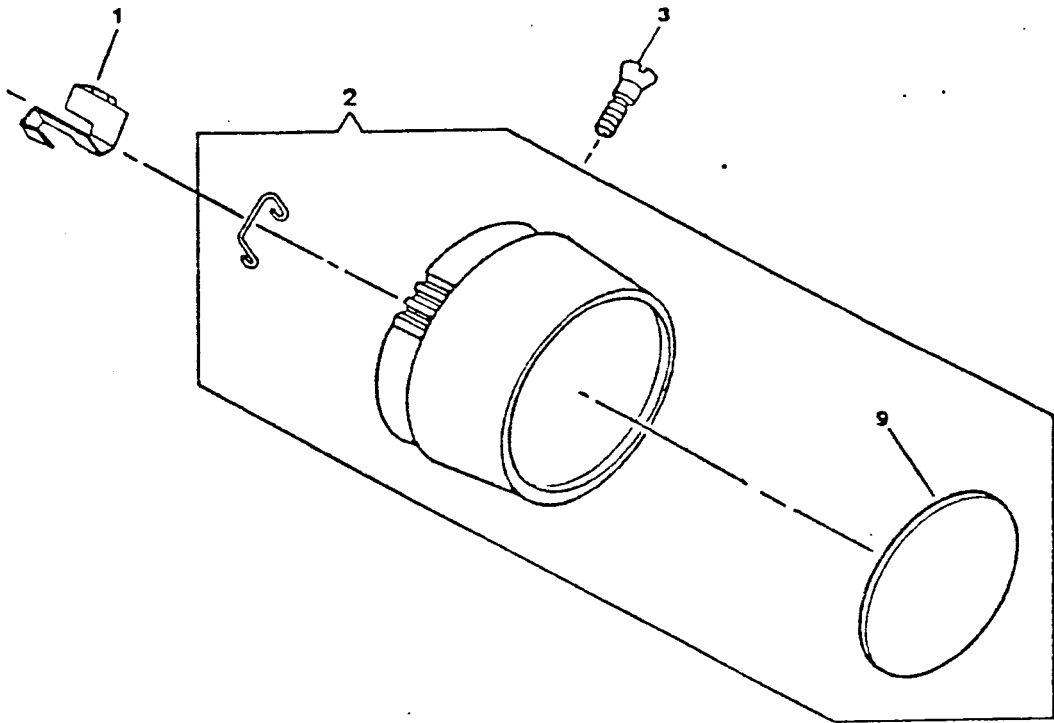
ARM SHAFT DRIVE SYSTEM

REF. NO.	PART NO.	DESCRIPTION	6	6	6
1	113455-001	Arm shaft (horizontal) bushing (left & right) clamp screw	X	X	X
2	312796	Arm shaft (horizontal) bushing (left & right) clamp assembly	X	X	X
3	113488-451	Thread take-up stud set screw	X	X	X
4	931929-004	Thread take-up axial screw washer	X	X	X
5	113408-001	Thread take-up axial screw	X		
6	313982	Arm shaft horizontal assembly	X		
6	313989	Arm shaft horizontal assembly (alternate to 313982)			
6	313998	Arm shaft (horizontal) assembly			X
6	313999	Arm shaft horizontal assembly (alternate to 313998)	X	X	X
7	312620-001	Arm shaft (horizontal) retaining collar thrust washer (plastic)	X	X	X
7A	312620-002	Arm shaft thrust washer	X	X	X
8	312795	Arm shaft (horizontal) bushing (left & right)	X	X	X
9	514556-451	Arm shaft (horizontal) retaining collar set screw	X	X	X
10	312619	Arm shaft (horizontal) retaining collar assembly	X	X	X
11	603975-011	Belt (rotating hook drive) ALT: 603975-012	X	X	X
12	544212-003	Arm shaft (horizontal) belt drive pulley screw	X	X	X
13	314074-901	Arm shaft (horizontal) belt drive pulley (plastic)	X	X	X
14	354591-451	Disc stack driving worm gear set screw	X	X	X
15	312623	Disc Stack driving worm gear assembly	X		
16	313153	Hand wheel retaining ring	X	X	X
17	314131	Rotating hook drive shaft belt pulley assembly	X	X	X
18	544098	Rotating hook drive shaft belt pulley set screw	X	X	X
19	113445-001	Rotating hook drive shaft bushing (self-aligning) clamp screw	X	X	X
20	314013-451	Rotating hook drive shaft bushing (self-aligning) clamp screw lock washer	X	X	X
21	313816	Rotating hook drive shaft bushing (self-aligning) clamp	X	X	X
22	312700-001	Rotating hook drive shaft bushing (right) (self-aligning)	X	X	X
23	444900-452	Rotating hook drive shaft spring washer	X	X	X
25	312685	Rotating hook drive shaft bearing retaining ring	X	X	X
26	313920	Feed drive shaft driving gear assembly	X	X	X
27	113466-451	Feed drive shaft gear set screw	X	X	X
28	313936	Rotating hook drive shaft	X	X	X
29	312700-002	Rotating hook drive shaft bushing (left) (self-aligning)	X	X	X
31	544208-005	Rotating hook drive shaft bevel gear set screw	X	X	X
32	314011	Rotating hook drive shaft bevel gear assembly ALT: 314054-900	X	X	X
33	313195	Idler bracket assembly	X	X	X
34	313157	Belt idler pulley retaining ring	X	X	X
35	382255	Belt idler pulley	X	X	X
36	313001	Idler bracket assembly	X	X	X
39	113455-002	Rotating hook driving belt tension adjuster screw	X	X	X
40	314014-451	Rotating hook driving belt tension adjuster screw washer	X	X	X
41	314013-451	Arm shaft bushing (clamp screw washer)	X	X	X

ARM SHAFT DRIVE SYSTEM



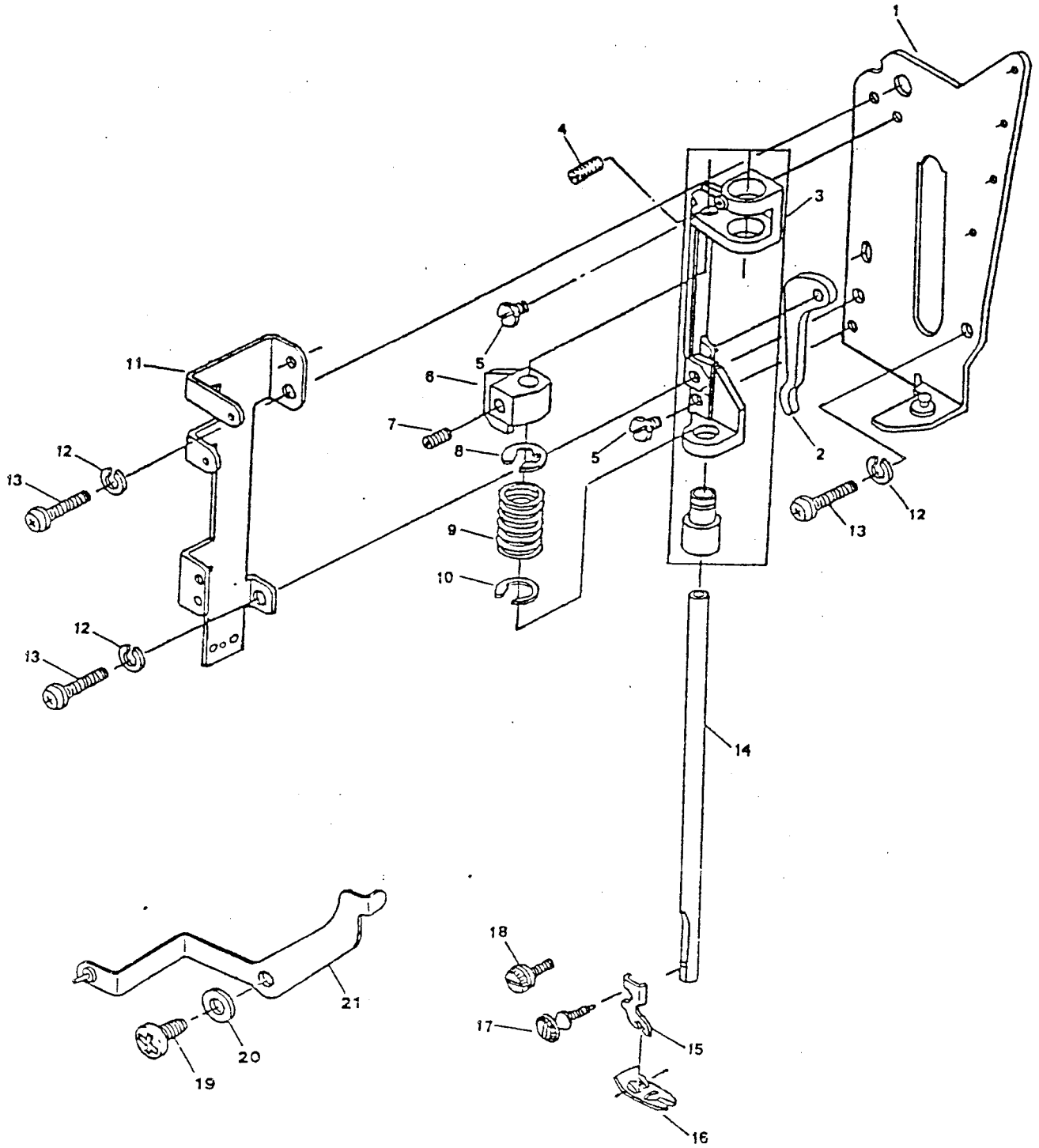
HAND WHEEL



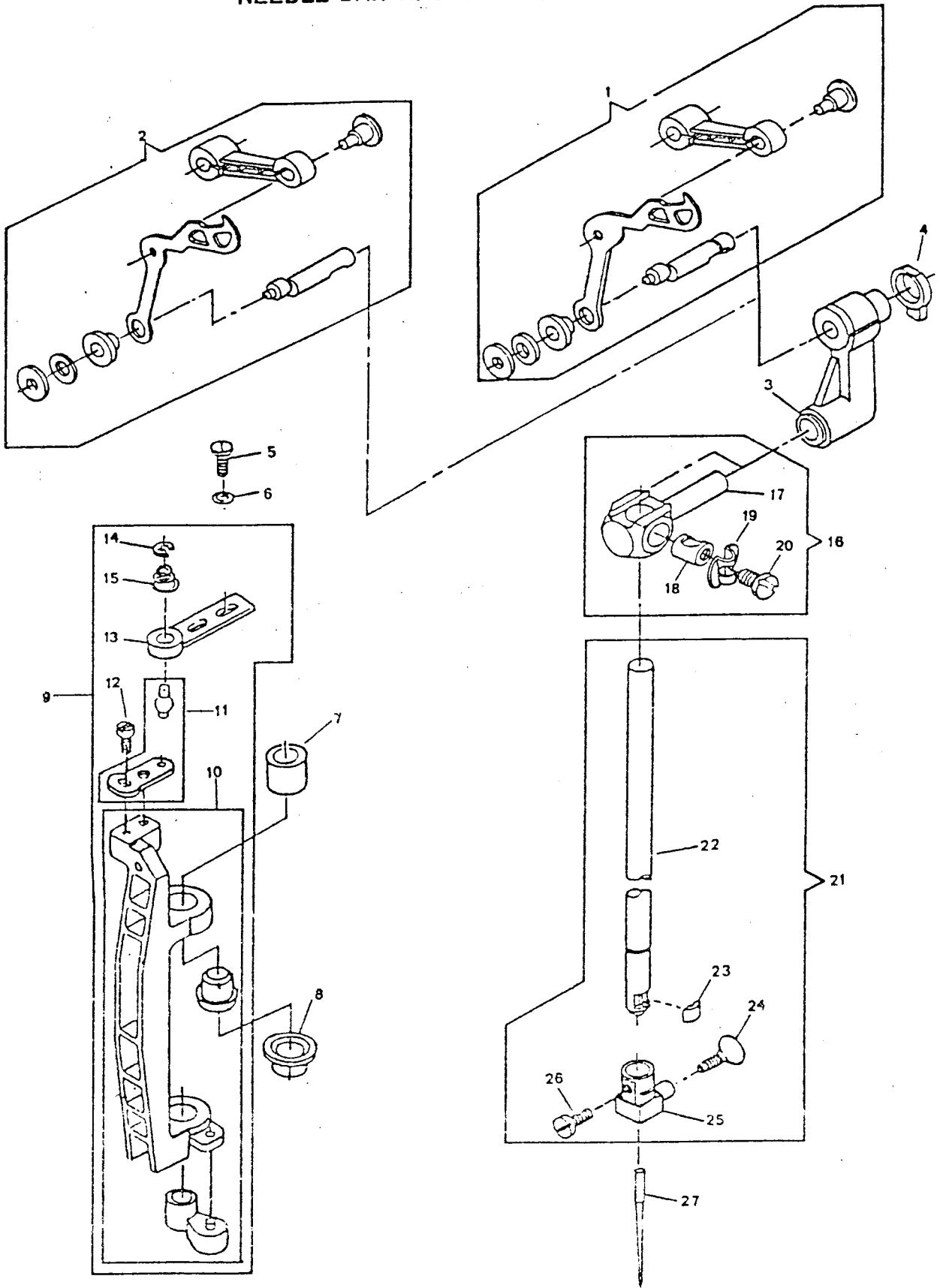
REF. NO.	PART NO.	DESCRIPTION	HAND WHEEL		
			6	6	6
			2	2	2
			3	3	3
			3	4	5
1	314044	Hand wheel drive screw support clip			X X
2	312991-451	Hand wheel assembly			X X
3	113454-451	Hand wheel drive screw			X X
4	313185-451	Hand wheel clutch plate assembly			X
5	312628-001	Belt (motor drive) ALT: 979285-001			X X X
6	312625-451	Hand wheel (plastic)			X
7	313153	Hand wheel retaining ring			X
8	314733-900	Hand wheel access plate (apollo)			X
9	312986-900	Hand wheel name plate (centaur)			X X

REF. NO.	PART NO.	COAXIAL PRESSER BAR SYSTEM FOR NEW HEAD END	DESCRIPTION	6 6 6 2 2 2 3 3 3 3 4 5
1	314696		Head end mounting plate assembly comp.	X X X
2	314582		Presser bar lifter	X X X
3	314580		Needle bar & presser bar adjusting bracket (sub-assembly)	X X X
* 4	544208-001		Needle bar vibrating bracket ball bushing (upper)adjuster set screw	X X X
5	113485-S/C		Needle bar presser bar adjusting bracket mounting screw	X X X
6	314583-901		Presser bar guide bracket	X X X
7	141936-833		Presser bar guide bracket screw	X X X
8	314584		Presser bar spring retaining ring (upper)	X X X
9	353214		Presser bar spring	X X X
10	314585		Presser bar spring retaining ring (lower)	X X X
11	314591		Face plate mounting bracket	X X X
12	313955-451		Head end mounting plate lock washer	X X X
13	113455-012		Head end mounting plate screw	X X X
14	314581		Presser bar	X X X
15	163706-451		Presser foot shank (snap-on)	X X X
16	313150		Presser foot plate (snap-on) for zig-zag sewing	X X X
17	113531-451		Presser foot thumb screw	X
18	314627-451		Presser foot thumb screw & bobbin winder thread holder	X X
19	113455-001		Needle thread tension release lever hinge screw	X X X
20	314041-451		Needle thread tension release lever retaining washer	X X X
21	314589		Needle thread tension release lever assembly	X X X X

COAXIAL PRESSER BAR SYSTEM



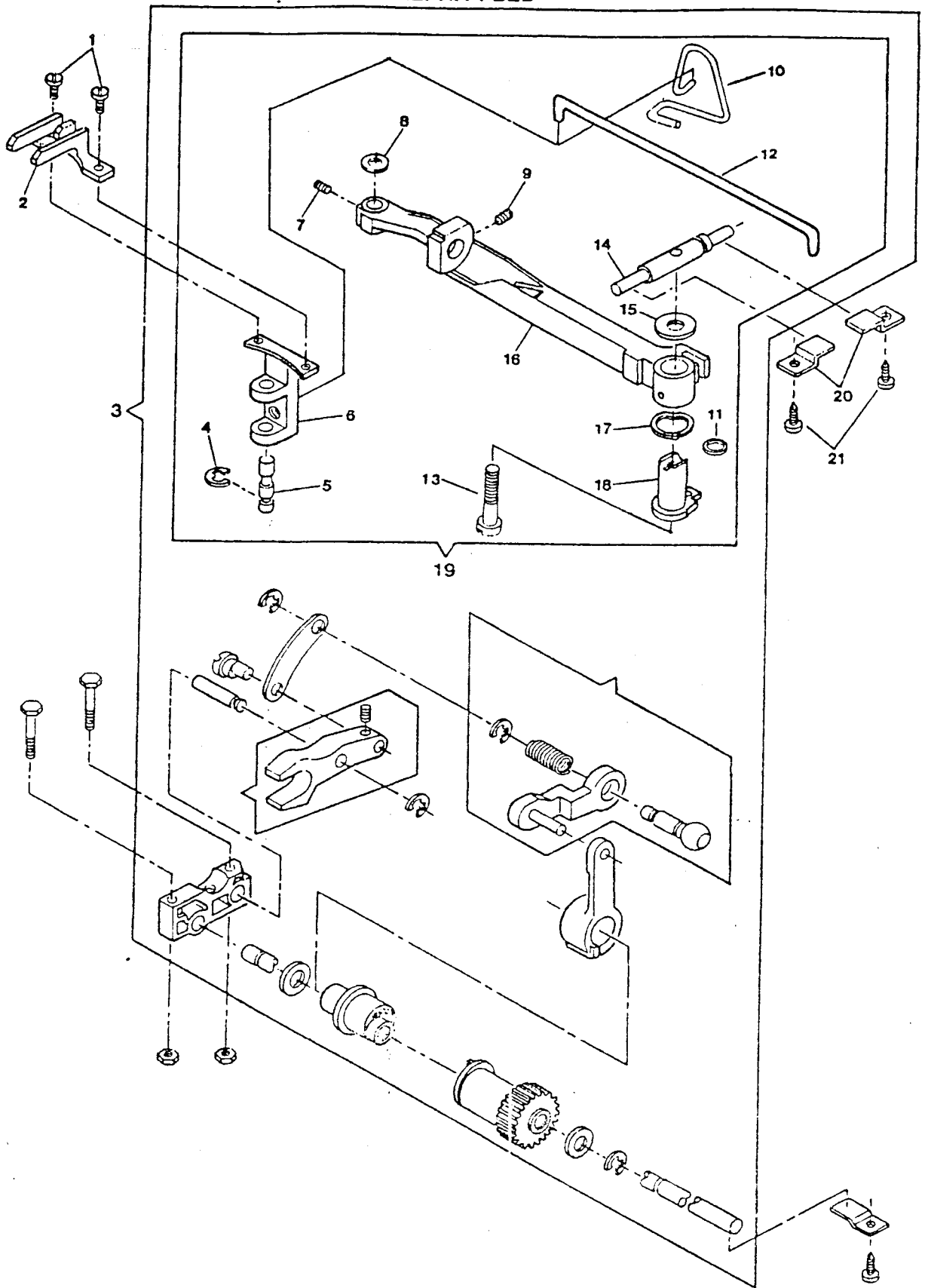
NEEDLE BAR AND THREAD TAKE-UP



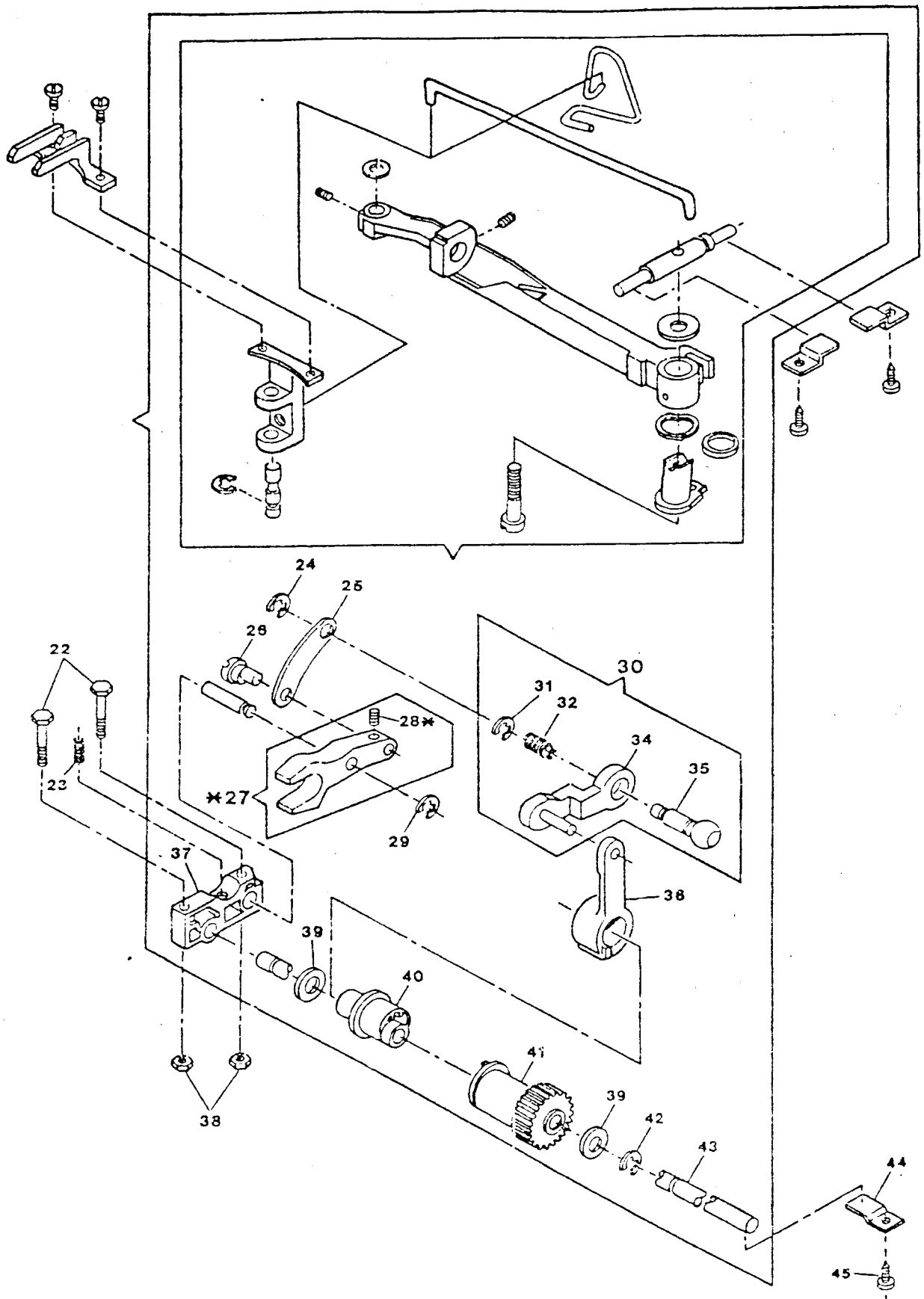
NEEDLE BAR & THREAD TAKE-UP FOR NEW HEAD END			6 6 6
REF.	PART		2 2 2
NO.	NO.		3 3 3
		DESCRIPTION	3 4 5
* 1	314694	Thread take-up complete (apollo)	X
* 2	314699	Thread take-up complete (centaur)	X X X
3	313533	Needle bar connecting link assembly	X X X
4	314146	Needle bar connecting link spacer	X X X
5	113408-001	Needle bar driving arm ball joint screw	X X X
6	931929-004	Needle bar driving arm ball joint screw washer	X X X
7	314574	Needle bar vibrating bracket bushing (upper)	X X X
8	314573	Needle bar ball bushing socket (lower)	X X X
9	314569	Needle bar vibrating bracket assembly	X X X
10	314614	Needle bar vibrating bracket sub-assembly	X X X
11	314570	Needle bar vibrating bracket stud plate assembly	X X X
12	141920-451	Needle bar vibrating bracket stud plate assembly mounting screw	X X X
13	312839	Needle bar driving arm ball joint	X X X
14	312702	Needle bar driving arm ball joint retaining ring	X X X
15	382602	Needle bar driving arm ball joint spring	X X X
16	313191	Needle bar connecting stud sub-assembly	X X X
17	312751	Needle bar connecting stud	X X X
18	312769	Needle bar connecting stud hinge pin	X X X
19	384000	Needle bar connecting stud hinge pin friction washer	X X X
20	354972-451	Needle bar clamping & guide screw	X X X
21	313192	Needle bar sub-assembly	X X X
22	313553	Needle bar	X X X
23	313552	Needle bar gib	X X X
24	354898-451	Needle thumb screw	X X X
25	313798	Needle clamp body	X X X
26	141920-454	Needle clamp body Needle clamp thread guide & Needle stop screw	X X X
27	N2045	Needle size No. 14 (in machine)	X X X

REF. NO.	PART NO.	ALPHA FEED DESCRIPTION	6	6	6
			2	2	2
			3	3	3
			3	4	5
1	141920-452	Feed dog screw	X	X	X
2	312679	Feed dog (Apollo)	X		
2	313021	Feed dog (zinc) (Centaur)		X	X
2	313171	Feed dog (Apollo) (alternate Pyramid)	X		
3	314140-002	Alpha feed module	X		
3	314140-001	Alpha feed module		X	X
4	511213	Feed dog holder stud retaining ring	X	X	X
5	511052	Feed dog holder stud	X	X	X
6	422334-902	Feed dog holder (machined)	X	X	X
7	544100	Feed dog holder stud screw	X	X	X
8	511210	Feed dog holder washer	X	X	X
9	354983-451	Feed bar connecting and feed lifting fork connecting hinge stud (eccentric) set screw (ALT: 354420-451)	X	X	X
10	422561	Feed dog holder compensating link retaining spring (front)	X	X	X
11	422337	Feed dog holder compensating link retaining spring (back)	X	X	X
12	422335-001	Feed dog holder compensating link	X	X	X
13	514744-451	Feed bar pivot hinge stud lock screw	X	X	X
14	314142	Feed bar pivot hinge stud pin	X	X	X
15	422338	Feed bar hinge pin washer	X	X	X
16	422333-902	Feed bar	X	X	X
17	511211	Feed bar guide hinge pin spring washer	X	X	X
18	422340-001	Feed bar pivot hinge stud	X	X	X
19	314141	Feed bar assembly	X	X	X
20	312851	Feed bar pivot hinge stud clamp	X	X	X
21	113455-003	Feed bar pivot hinge stud clamp screw	X	X	X

ALPHA FEED



ALPHA FEED (CONT.)

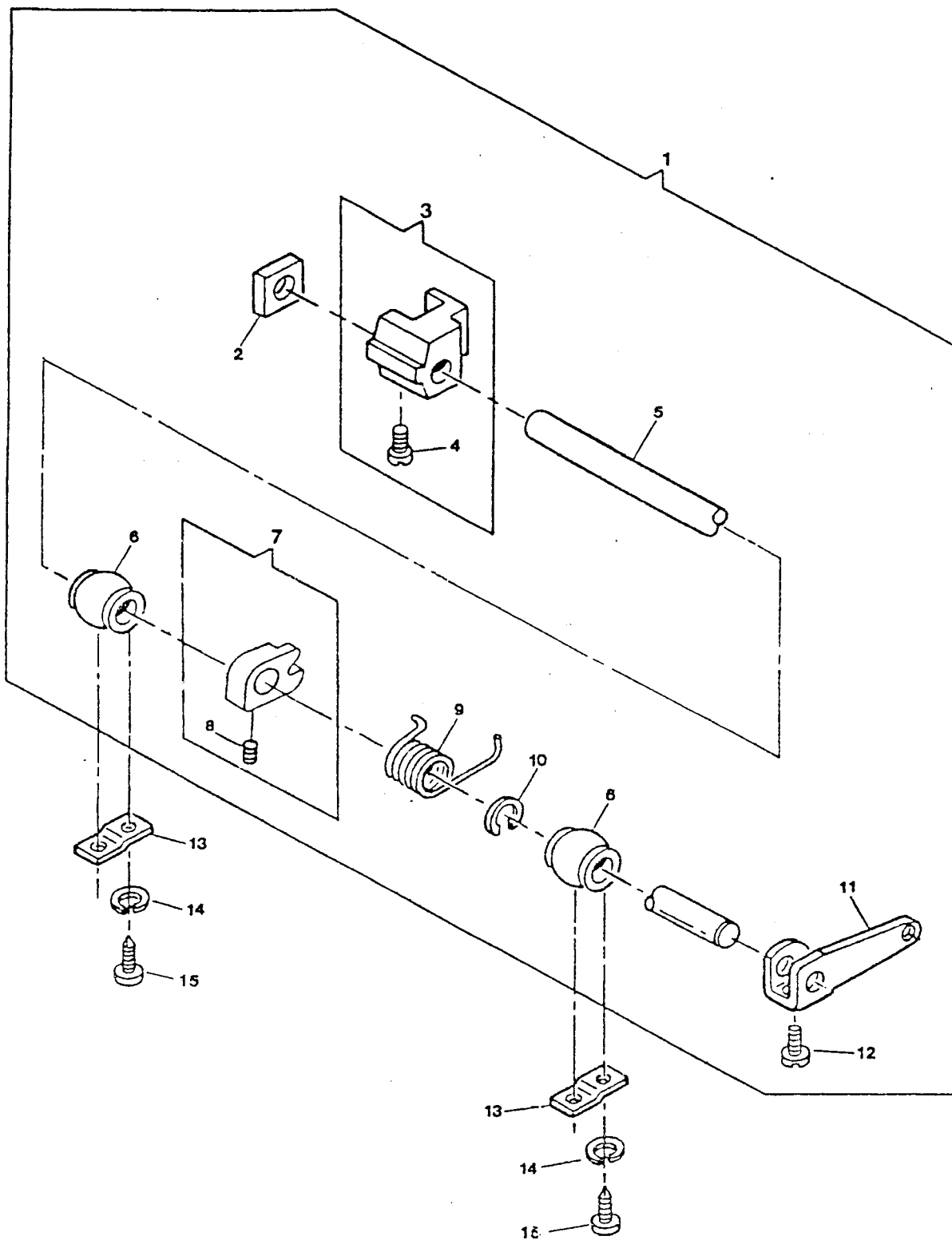


ALPHA FEED (CONT.)			6 6 6
REF. NO.	PART NO.	DESCRIPTION	2 2 2
			3 3 3
			3 4 5
22	354921-451	Feed & rotating hook drive shaft bearing block mounting screw	X X X
23	314070	Rotating hook drive shaft bushing spring	X X X
24	312686	Feed lifting fork connecting retaining ring	X X X
25	511016	Feed lifting fork connection	X X X
26	511056	Feed lifting fork connecting hinge stud (eccentric)	X X X
* 27	503325-002	Feed lifting fork compl.	X X X
* 28	514685-451	Feed lifting fork connecting hinge stud (eccentric) set screw	X X X
29	312685	Feed & rotating hook drive shaft bearing block stud retaining ring	X X X
30	313910	Feed bar connection assembly complete	X X X
31	312685	Feed bar connection and feed lifting fork connection hinge stud (eccentric) retaining ring	X X X
32	314030	Feed bar connection spring	X X X
34	313130	Feed bar connection assembly	X X X
35	313456	Feed bar connection and feed lifting fork connection hinge stud (eccentric) ALT: 312852	X X X
36	312872-900	Feed regulator slide block drive connection	X X X
37	312864	Feed & rotating hook drive shaft bearing block assembly	X X X
38	514674-451	Feed & rotating hook drive shaft bearing block mounting screw nut	X X X
39	312879-451	Feed drive shaft gear washer	X X X
40	312869	Feed lifting cam & feed eccentric (Apollo)	X
40	312870	Feed lifting cam & feed eccentric (Centaur)	X X
41	312902	Feed drive shaft gear (plastic)	X X X
42	312686	Feed drive shaft gear retaining ring	X X X
43	312862-900	Feed drive shaft	X X X
44	312851	Feed drive shaft clamp	X X X
45	113455-003	Feed drive shaft clamp screw	X X X

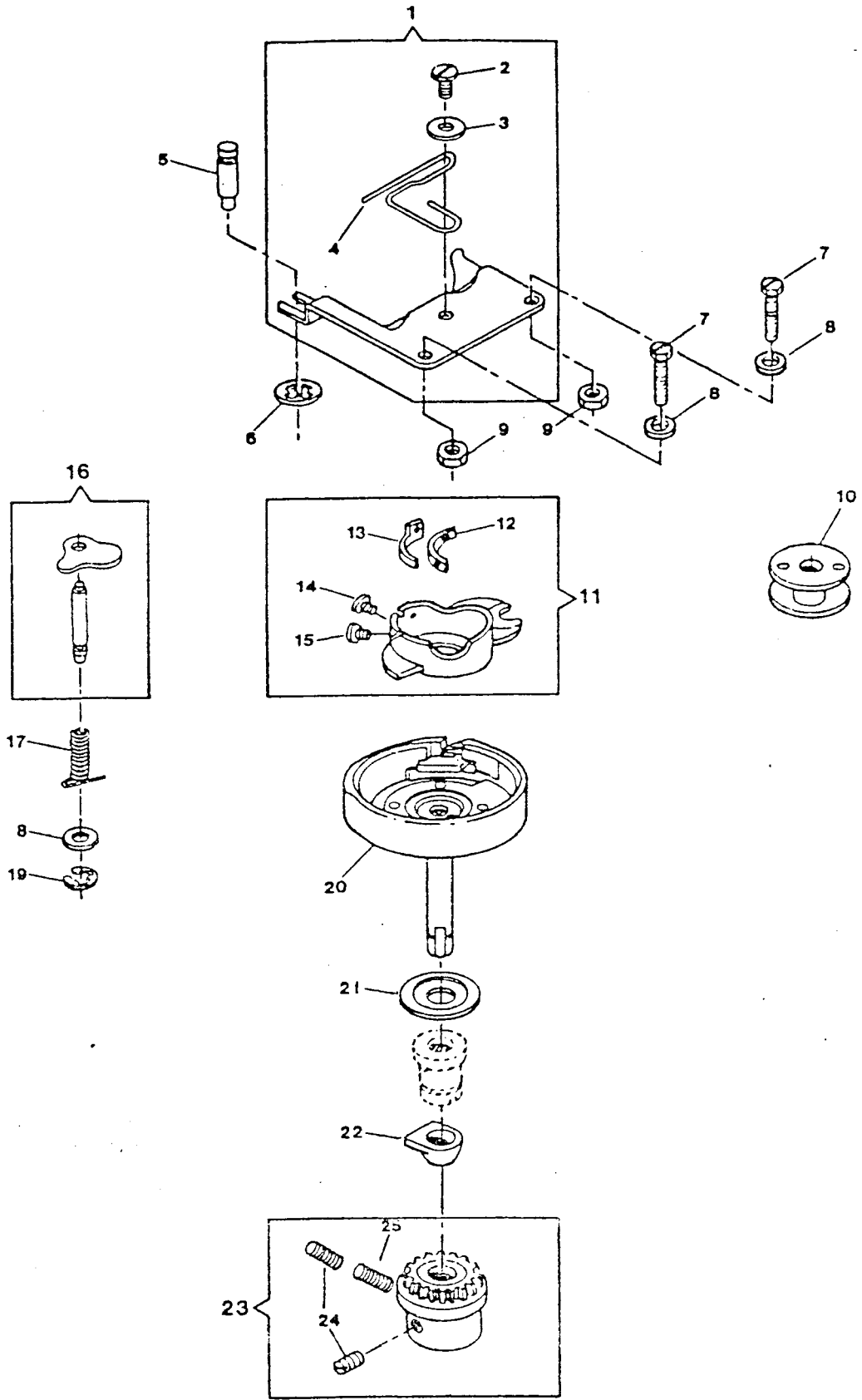
ALPHA FEED (CONT.)

REF. NO.	PART NO.	DESCRIPTION	6	6	6
1	313133	Feed regulator shaft assembly	X	X	X
2	511030	Feed regulator slide block	X	X	X
3	312874	Feed regulator compl.	X	X	X
4	113523-451	Feed regulator screw	X	X	X
5	314173	Feed regulator shaft	X	X	X
6	312700-002	Feed regulator shaft bushing (self-aligning)	X	X	X
7	314175	Feed regulator shaft tension spring adjusting collar assembly	X	X	X
8	544207-001	Feed regulator shaft tension spring adjusting collar screw	X	X	X
9	314172	Feed regulator shaft tension spring	X	X	X
10	312875	Feed regulator shaft retaining ring	X	X	X
11	312801	Stitch length control crank	X	X	X
12	354922-451	Stitch length control crank screw	X	X	X
13	313816	Feed regulator shaft bushing (self-aligning) clamp	X	X	X
14	314013-451	Feed regulator shaft bushing (self-aligning) clamp screw lock washer	X	X	X
15	113455-001	Feed regulator shaft bushing (self-aligning) clamp screw	X	X	X

ALPHA FEED (CONT.)



HOOK SYSTEM (APOLLO)

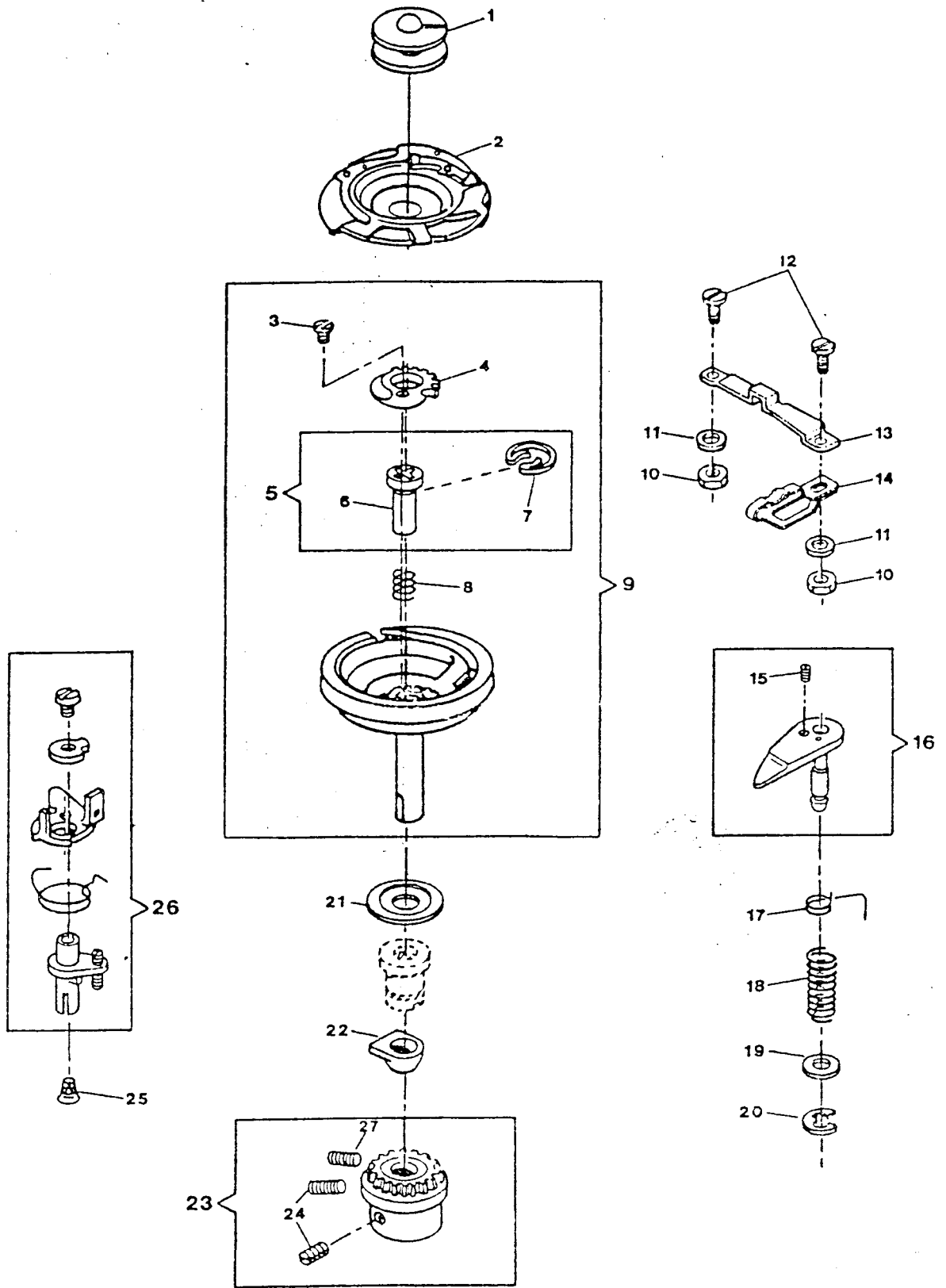


HOOK SYSTEM (APOLLO)			6 6 6
REF. NO.	PART NO.	DESCRIPTION	2 2 2
			3 3 3
			3 4 5
1	313089	Rotating hook bobbin case position plate assembly	X
1	314066	Rotating hook bobbin case position plate assembly (alternate to 313089)	X
2	354883-451	Rotating hook bobbin case cushion spring screw	X
3	313190-451	Rotating hook bobbin case cushion spring screw washer	X
4	313067-900	Rotating hook bobbin case cushion spring	
5	312603	Rotating hook bobbin case position plate hold down stud	X
6	313161	Rotating hook bobbin case position plate hold down stud retaining ring	X
7	113439-451	Rotating hook bobbin case position plate screw	X
8	313190-451	Rotating hook bobbin case position plate screw washer	X
9	313945-451	Rotating hook bobbin case position plate screw nut	X
10	172336	Rotating hook bobbin (plastic)	X
11	421325	Rotating hook bobbin case complete	X
12	310884-452	Rotating hook bobbin case tension spring segment	X
13	310883	Rotating hook bobbin case tension spring	X
14	139975-452	Rotating hook bobbin case tension spring segment screw	X
15	354183-452	Rotating hook bobbin case tension regulating screw	X
16	312846	Rotating hook bobbin case retaining plate sub assembly	X
17	312607	Rotating hook bobbin case retaining plate stud spring	X
18	313190-451	Rotating hook bobbin case retaining plate stud washer	X
19	313783	Rotating hook bobbin case retaining plate stud retaining ring	X
20	314025	Rotating hook complete (alternate to 313034)	X
21	314049	Rotating hook flanged bushing thrust washer	X
22	312847	Rotating hook flanged bushing washer	X
23	314101-900	Rotating hook bevel gear complete (ALT: 314012)	X
24	544207-012	Rotating hook bevel gear (plastic) set screw	X
25	544207-011	Rotating hook bevel gear set screw	X

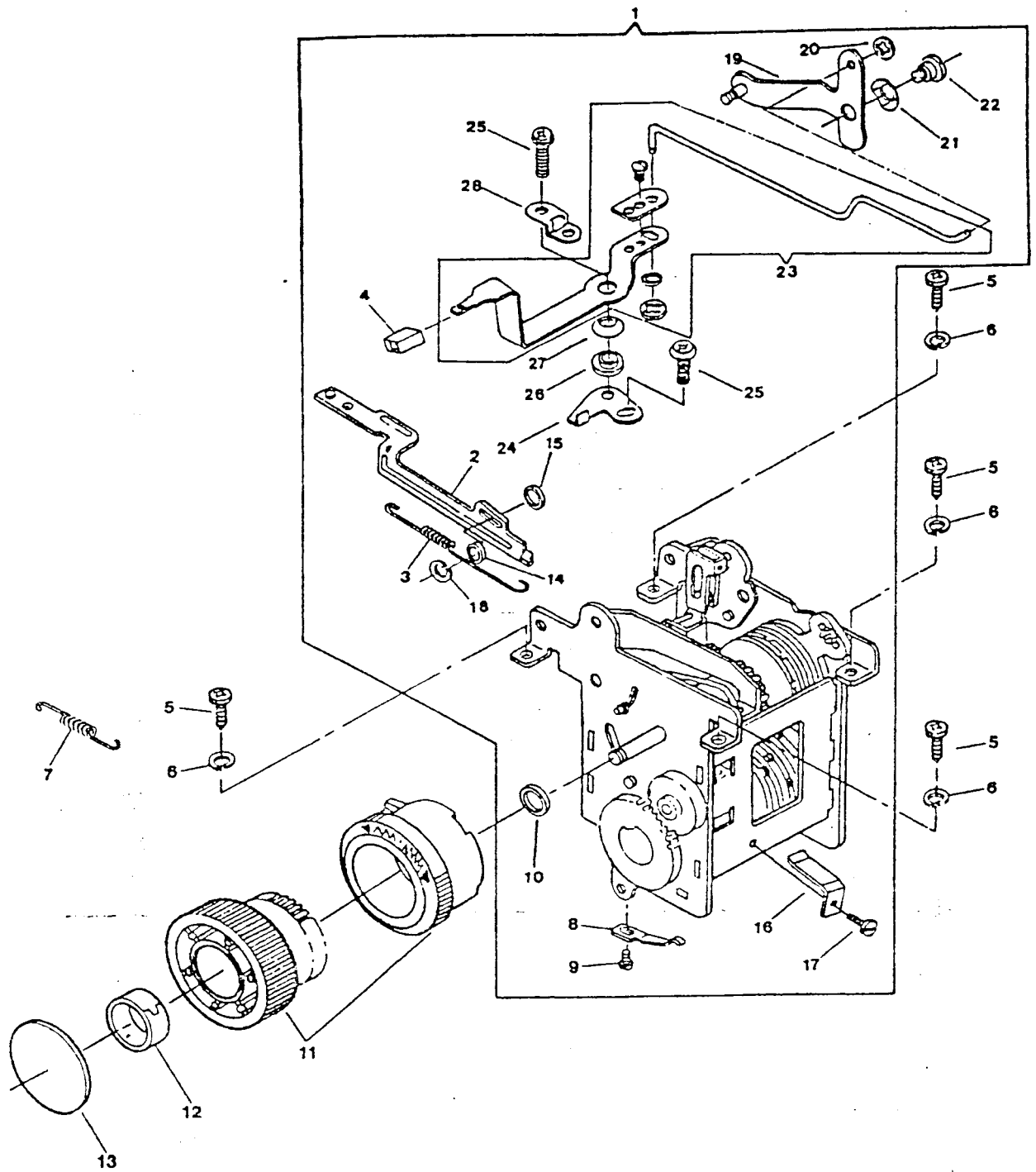
HOOK AND BOBBIN WINDING SYSTEM (CENTAUR)

REF. NO.	PART NO.	DESCRIPTION	6	6	6
			2	2	2
			3	3	3
			3	4	5
					X X
1	312956	Bobbin			X X
2	314662	Rotating hook bobbin case compl. (used with 314025)			X X
3	354973-451	Rotating hook thread pull-off insert screw			X X
4	312966	Rotating hook thread pull-off			X X
5	313155	Rotating hook bobbin driver clutch spring assembly			X X
6	312967	Rotating hook bobbin driver bushing			X X
7	313124	Rotating hook bobbin driver shaft clutch spring			X X
8	312968	Rotating hook bobbin driver bushing return spring			X X
9	313183-002	Rotating hook assembly			X X
10	313945-451	Rotating hook bobbin case position plate screw nut			X X
11	313190-451	Rotating hook bobbin case position plate screw washer			X X
12	113439-451	Rotating hook bobbin case position plate screw			X X
13	312738	Rotating hook bobbin case position plate			X X
14	313068	Bed slide positioner			X X
15	354891-451	Rotating hook bobbin case retaining plate adjusting screw			X X
16	313088	Rotating hook bobbin case retaining plate complete			X X
17	313930	Rotating hook bobbin case retaining plate return spring			X X
18	314072	Rotating hook bobbin case retaining plate spring			X X
19	313190-451	Rotating hook bobbin case position plate screw washer			X X
20	312702	Rotating hook bobbin case retaining plate spring retaining ring			X X
21	314049	Rotating hook flanged bushing thrust washer			X X
22	312847	Rotating hook flanged bushing washer			X X
23	314101-900	Rotating hook bevel gear complete (ALT: 314012)			X X
24	544207-012	Rotating hook bevel gear (plastic) set screw			X X
25	354929-451	Bed slide actuating lever stud screw			X X
26	313956	Bed slide actuating lever assembly			X X
27	544207-011	Rotating hook bevel gear set screw			X X

HOOK AND BOBBIN WINDING SYSTEM (CENTAUR)

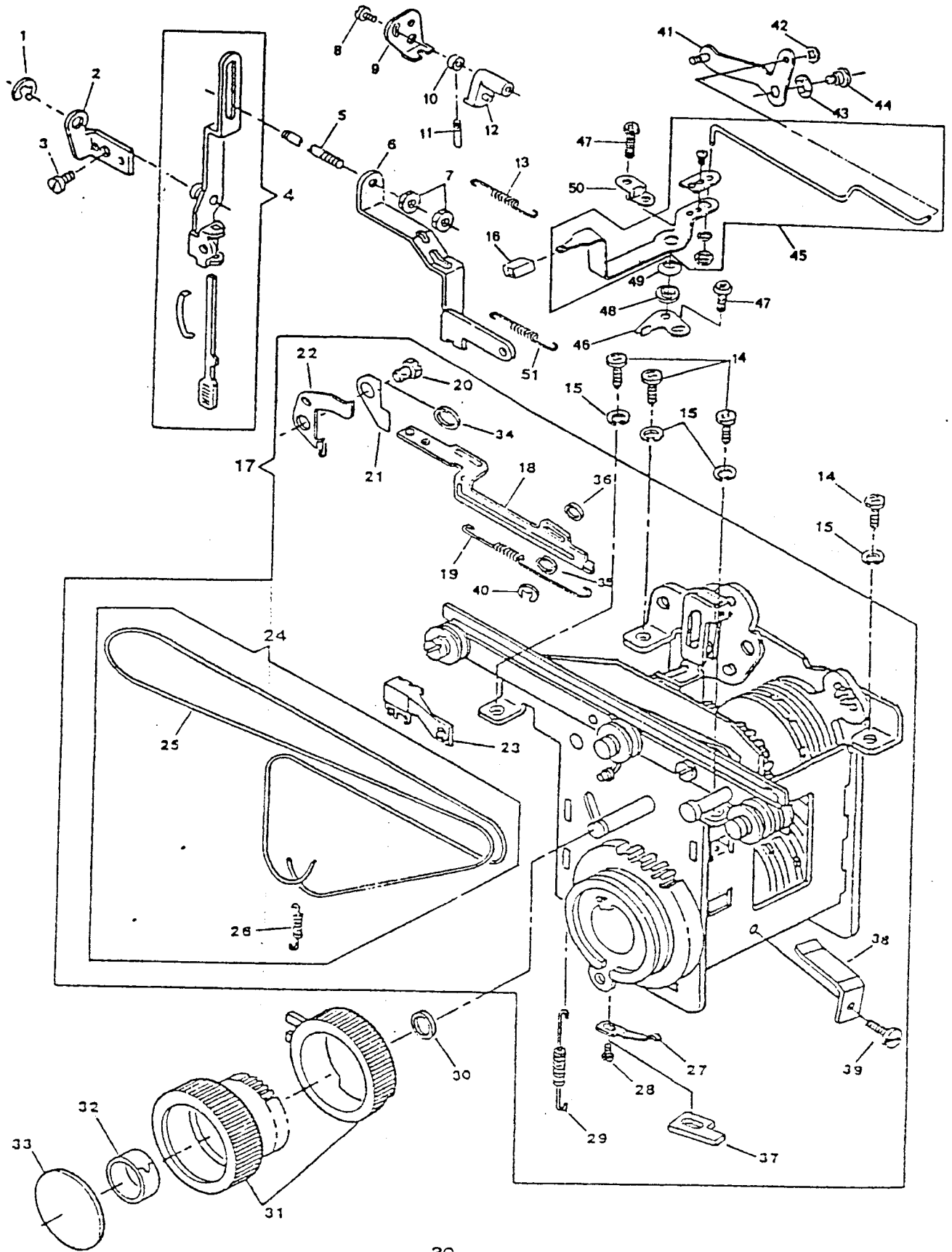


PATTERN STITCH LENGTH CONTROL AND CAM CONTROLLED FEED

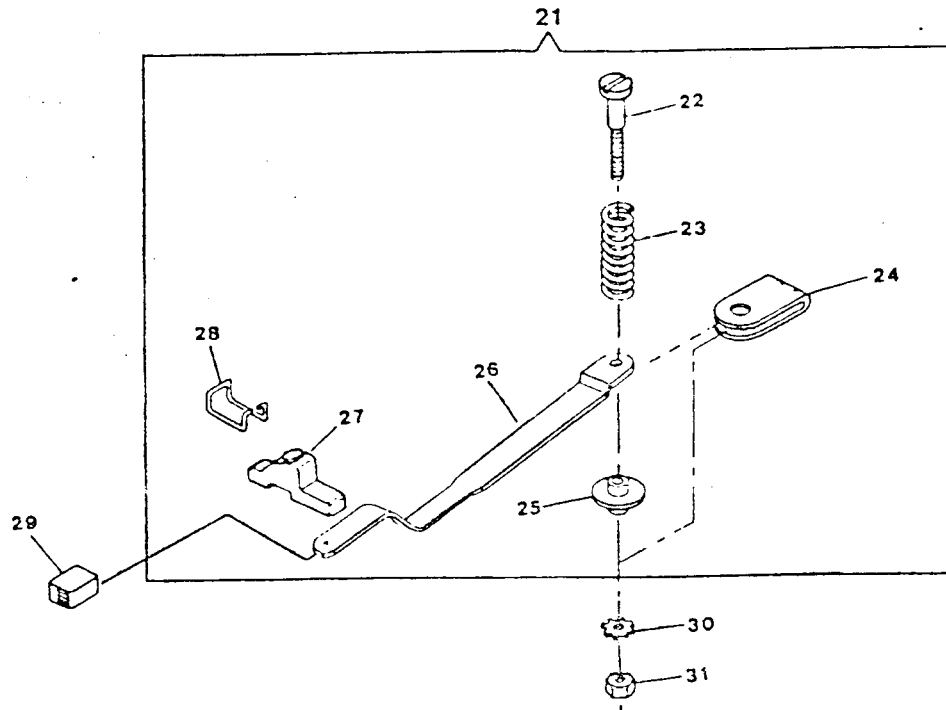
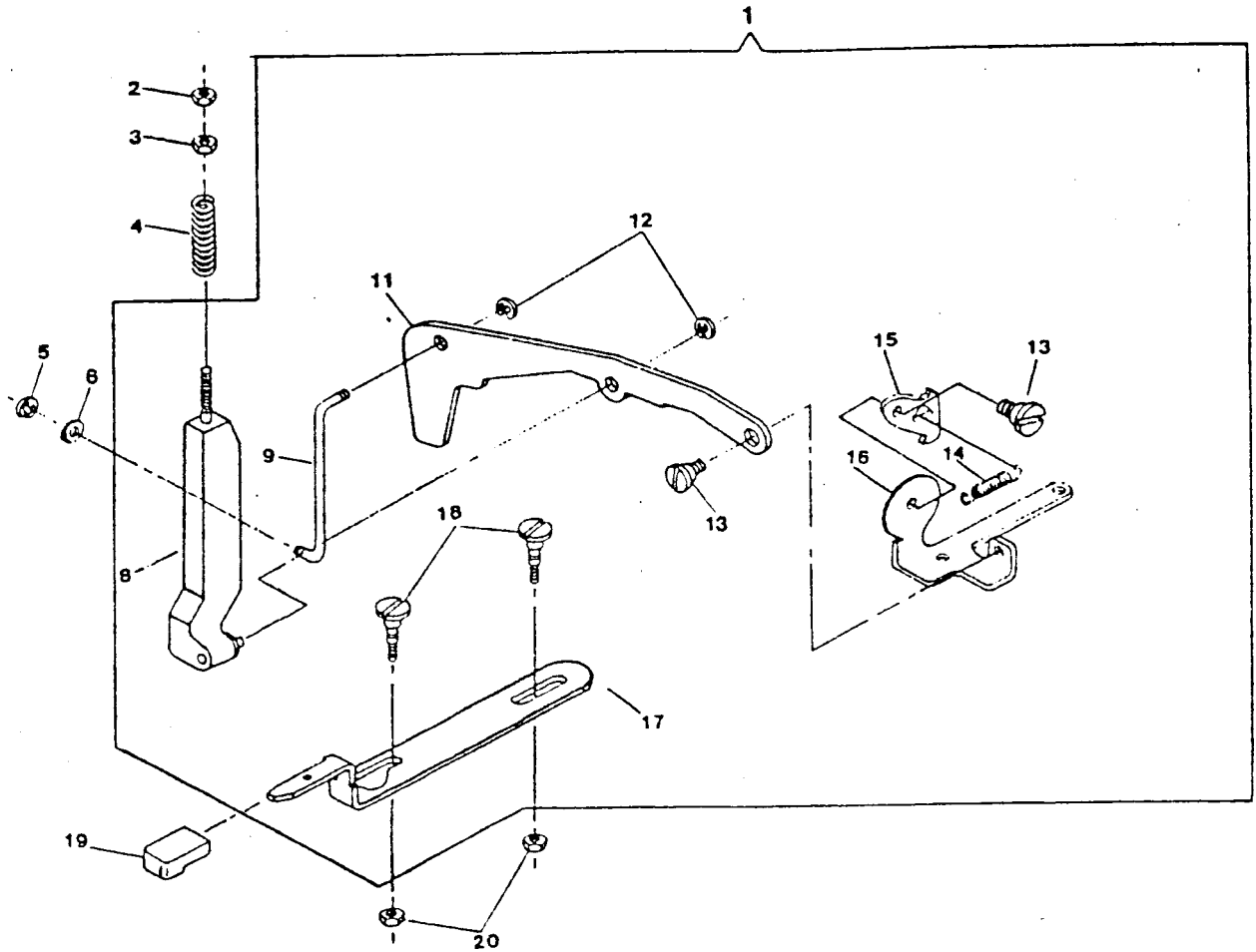


REF. NO.	PART NO.	DESCRIPTION	PATTERN, STITCH LENGTH CONTROL & CAM CONTROLLED FEED
			6 6 6
			2 2 2
			3 3 3
			3 4 5
1	314601-001	Pattern selector module	X
1	314601-002	Pattern selector module	X
2	314492	Needle bar driving arm	X X
3	313053	Needle bar driving arm return spring	X X
4	314676-451	Bight amplitude control lever knob (plastic)	X X
5	113455-001	Disc selector mechanism mounting plate screw (left & right)	X X
6	314013-451	Disc selector mechanism mounting plate screw (left & right) lock washer	X X
7	314497	Needle bar driving arm slide positioning spring	X X
8	313113	Pattern selector indicator detent spring	X X
9	354899-451	Pattern selector indicator detent screw	X X
10	314153	Pattern selector knob spacer	X X
11	314239-451	Pattern selector knob and stitch balance knob	X X
12	313535	Pattern selector knob compression ring	X X
13	313824-451	Pattern selector knob trim plate	X
13	313824-452	Pattern selector knob trim plate	X
14	314493	Stitch width control bracket washer (front)	X X
15	314494	Stitch width control bracket washer (back)	X X
16	314553	Pattern selector drum stabilizing spring	X X
17	113487-451	Pattern selector drum stabilizing spring screw	X X
18	314502	Bight amplitude control bracket retaining ring	X X
19	314603	Bight amplitude control bracket assembly	X X
20	314606	Bight amplitude control rod retaining (left)	X X
21	384000	Bight amplitude control lever friction washer	X X
22	113522-451	Bight amplitude control bracket pivot screw	X X
23	314607	Bight amplitude control lever assembly	X X
24	314610	Bight amplitude control lever stop	X X
25	113455-014	Bight amplitude control lever stop adjustment screw	X X
26	314611	Bight amplitude control lever shoulder washer	X X
27	353457	Bight amplitude control lever friction washer	X X
28	314683	Bight amplitude control lever retainer	X X

PATTERN STITCH LENGTH CONTROL AND CAM CONTROLLED FEED (CONT.)



PATTERN STITCH LENGTH CONTROL AND CAM CONTROLLED FEED (CONT.),

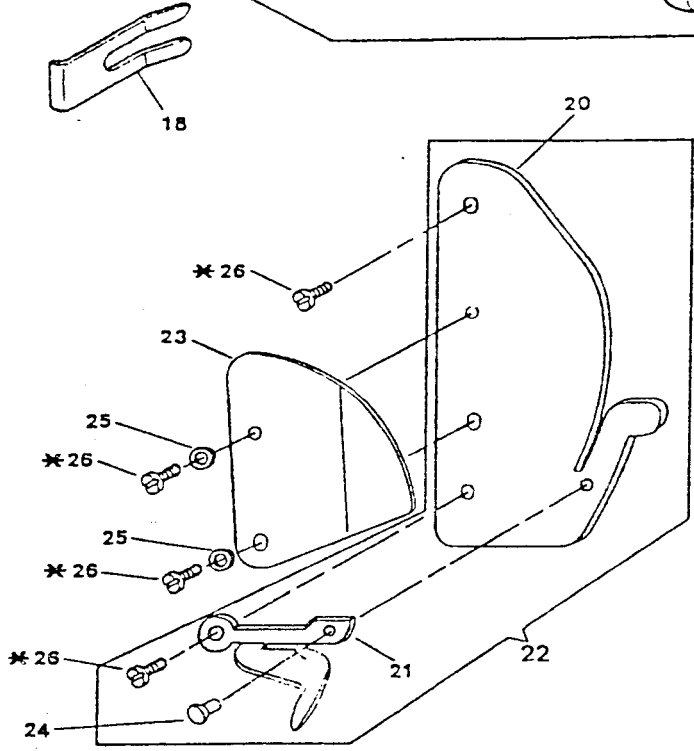
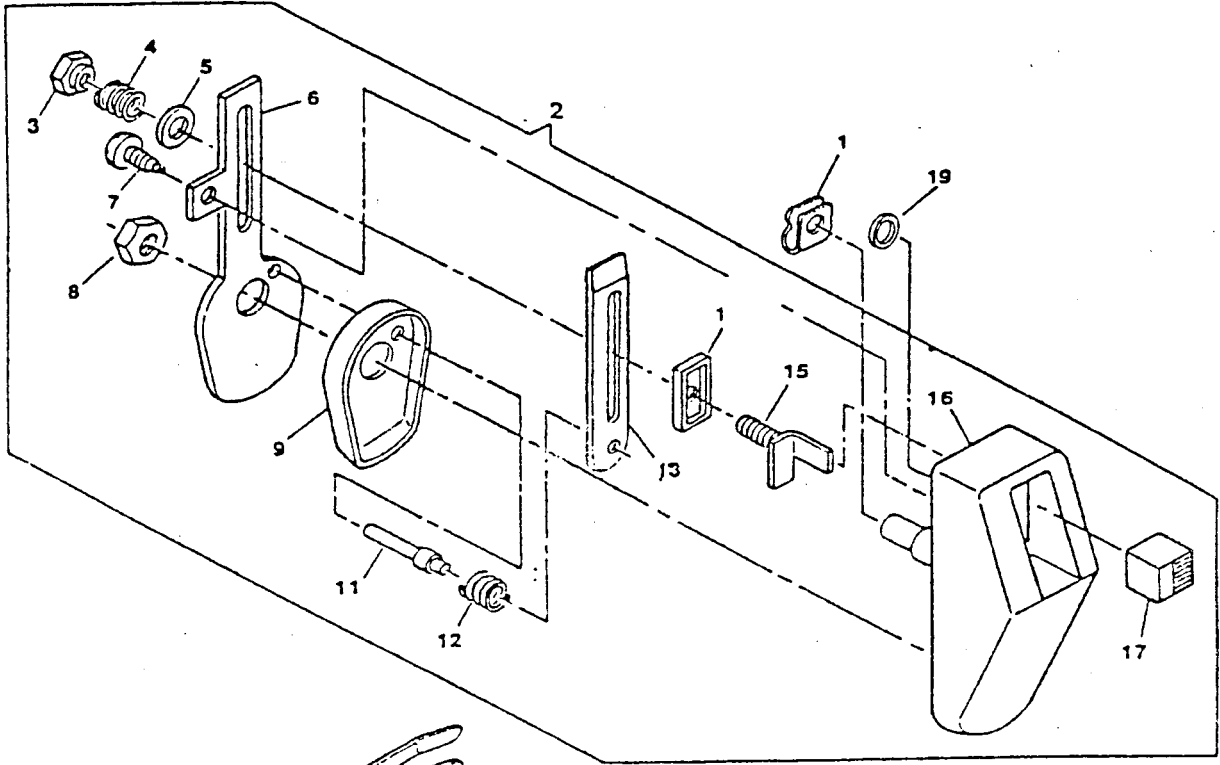


PATTERN, STITCH LENGTH CONTROL & CAM CONTROLLED FEED (CONT.)			6	6	6
REF. NO.	PART NO.	DESCRIPTION	2	2	2
			3	3	3
			3	4	5
1	314300-001	Feed reverse mechanism	X	X	
1	314300-002	Feed reverse mechanism			X
2	514674-451	Cam controlled feed connecting rod locking nut	X	X	X
3	312645-451	Cam controlled feed disc follower actuator connecting rod adjusting nut	X	X	X
4	313143	Cam controlled feed disc follower actuator connecting rod spring	X	X	X
5	312702	Feed lever connecting link retaining ring	X	X	X
6	313891	Cam controlled feed connecting rod stabilizing washer	X	X	X
8	314549	Cam controlled feed disc follower actuator connecting rod	X	X	X
9	313057	Feed lever connecting link	X	X	X
11	314283	Stitch length control arm	X	X	X
12	312702	Cam controlled feed disc follower actuator connecting rod retaining ring	X	X	X
13	354958-451	Reverse feed lever pivot screw	X	X	X
14	314282	Reverse feed crank spring	X	X	X
15	314281	Reverse feed crank	X	X	X
16	314279-900	Reverse feed lever mounting bracket	X	X	X
17	314280	Reverse feed control lever	X	X	X
18	113499-451	Reverse feed control lever & latch screw	X	X	X
19	312657-451	Reverse feed control lever knob (plastic)	X	X	X
20	514674-451	Reverse feed control lever guide screw nut	X	X	X
21	313569	Stitch length control lever assembly	X	X	X
22	113356-451	Stitch length control lever pivot screw	X	X	X
23	313567	Stitch length control lever spring	X	X	X
24	313566	Stitch length control friction washer	X	X	X
25	313565-451	Stitch length control lever nut	X	X	X
26	312663	Stitch length control lever	X	X	X
27	313960	Stitch length control lever cam assembly	X	X	X
28	313188	Stitch length control lever cam retaining clip	X	X	X
29	312664-451	Stitch length control lever knob (plastic)	X	X	X
30	313172-451	Stitch length control lever pivot lock washer	X	X	X
31	313177-451	Stitch length control lever nut	X	X	X

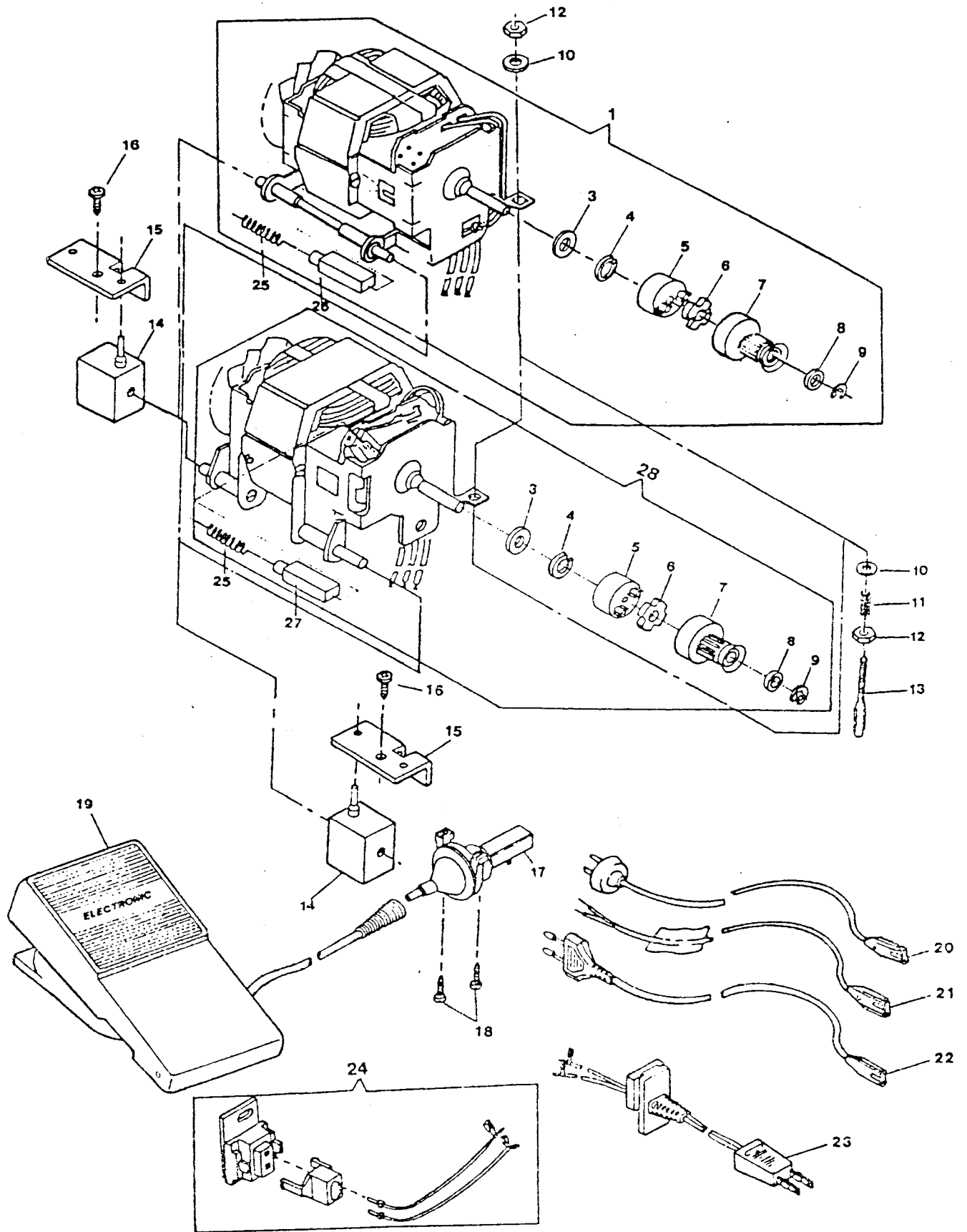
DEMAND RESPONSIVE NEEDLE TENSION SYSTEM

REF. NO.	PART NO.	DESCRIPTION	6	6	6
			2	2	2
			3	3	3
			3	4	5
1	313199	Tension cover mounting retainer	X	X	X
2	313077-001	Thread tension module (USA & Canada)	X	X	X
2	313077-002	Thread tension module (Europe)	X	X	X
3	314299-451	Tension regulator lever stud nut	X	X	X
4	312708	Tension spring	X	X	X
5	312710	Tension spring washer	X	X	X
6	314002	Tension mounting plate sub-assembly take-off	X	X	X
7	113442-003	Tension cover mounting screw	X	X	X
8	53641	Tension cover retaining stud nut	X	X	X
9	312703	Tension disc	X	X	X
9	313403	Tension disc (alternate to 312703)	X	X	X
11	312705	Tension release pin		X	X
12	314005	Pre-tension spring	X	X	X
13	312707	Tension lever	X	X	X
13	313904	Tension lever (alternate)	X	X	X
14	313048	Tension regulating lever slide block	X	X	X
15	312946	Tension regulating lever assembly	X	X	X
16	313015-001	Tension cover assembly (USA & Canada)	X	X	X
16	313015-002	Tension cover assembly (Europe)	X	X	X
17	312664-451	Tension regulating knob	X	X	X
18	313047	Tension cover retaining clip	X	X	X
19	314309	Tension cover spacer (upper)		X	
20	314685-900	Thread wear plate (apollo)		X	X
20	314697-900	Thread wear plate (centaur)	X	X	X
21	314687-900	Thread guide		X	
22	314688	Thread take-up wear plate ass'y (apollo)			X
22	314698	Thread take-up wear plate ass'y (centaur)	X	X	X
23	314690	Thread pinch plate	X	X	X
24	314686-900	Thread guide rivet	X	X	X
25	317166	Pinch plate mounting screw washer	X	X	X
* 26	113524-451	Mounting screw			

DEMAND RESPONSIVE NEEDLE TENSION SYSTEM



ELECTRICAL EQUIPMENT



REF. NO.	PART NO.	ELECTRICAL EQUIPMENT		6 6 6 2 2 2 3 3 3 3 4 5
			DESCRIPTION	
1	988529-009	Motor comp. (Cat. NO. TA4-8)	120 volt (National motor)	X X X
1	988529-010	Motor comp. (Cat. NO. TA4-11)	220/240 volt (National motor)	X X X
3	931744-001	Spacer washer	(as required)	X X X
3	931744-002	Spacer washer	(as required)	X X X
3	931744-003	Spacer washer	(as required)	X X X
3	931744-103	Spacer washer	(as required)	X X X
4	603908-001	Retaining ring		X X X
5	988738-002	Motor pulley isolator hub		X X X
6	988795-001	Motor pulley torque cushion		X X X
7	979124-001	Pulley with belt retainer		X X X
8	988717-001	Washer		X X X
9	619279-902	Motor pulley isolator hub retaining ring		X X X
10	37969	Motor adjusting stud nut washer		X X X
11	314058	Motor belt tension spring		X X X
12	53646	Motor adjusting stud nut		X X X
13	988653-001	Motor adjusting stud		X X X
14	979329-001	Resilient mount		X X X
15	988651-001	Clip		X X X
16	113470-004	Motor mounting screw		X X X
17	988549-005	Pneumatic transducer		X X X
18	113444-003	Pneumatic transducer mounting screw		X X X
19	988667-001	Pneumatic controller assembly		X X X
20	988638-004	Appliance coupler for Australia		X X X
21	988638-003	Appliance coupler (240 volt)	for U.K.	X X X
22	988638-001	Appliance coupler (220 volt)	for Europe	X X X
23	988557-001	Cord w/strain relief and plug (120 volt)	for U.S./Canada	X X X
24	988657-003	Cord with receptacle (Europe/U.K./Australia)		X X X
25	619436-001	Brush spring (2)		X X X
26	619435-013	Motor brush (2)	(for national motor)	X X X
27	619435-015	Motor brush (2)	(for ITU motor)	X X X
28	988529-009	Motor comp. (Cat. NO. TA4-8)	120 volt (ITU motor)	X X X
28	988529-010	Motor comp. (Cat. NO. TA4-11)	220/240 volt (ITU motor)	X X X

ELECTRICAL EQUIPMENT (CONT.)

REF. NO.	PART NO.	DESCRIPTION	6	6	6
			2	2	2
			3	3	3
			3	4	5
1	314596-001	Lint and heat shield assembly (220/240V)	X	X	X
2	979203-002	Light assembly (Europe) (220V)	X	X	X
2	979203-003	Light assembly (Australia) (240V)	X	X	X
3	540899	Ty-wrap self-locking (ALT: 605600-001)	X	X	X
4	979203-001	Lamp socket (120V) (US/Canada)	X	X	X
5	314596-002	Lint and heat shield assembly (100V)	X	X	X
5	314596-003	Lint and heat shield assembly (120V)	X	X	X
6	446138	Heat shield mounting screw washer	X	X	X
7	544211-002	Heat shield mounting screw	X	X	X
8	194120-021	Light bulb (240 Volt) (ALT: 542656-004)	X	X	X
8	194120-020	Light bulb (220 Volt) (ALT: 542656-003)	X	X	X
8	194120-019	Light bulb (120 Volt) (ALT: 542656-005)	X	X	X
9	113445-003	Thread take-up cover and lint/heat shield screw	X	X	X
10	988547-002	Washer	X	X	X
11	113444-001	Screw (P. C. Board mounting)	X	X	X
12	988548-001	Switch operator (120 Volt)	X	X	X
12	988548-002	Switch operator (220/240 Volts)	X	X	X
13	988547-001	Washer	X	X	X
14	979123-004	Speed control P. C. Board assembly 120 Volt (full wave)	X	X	X
14	979120-005	Speed control P. C. Board assembly 220/240 Volts (full wave)	X	X	X
14	979161-003	Speed control P. C. Board assembly 100 Volt (full wave)	X	X	X
14	979192-005	Speed control P. C. Board assembly 220/240 Volts (full wave)	X	X	X
15	113455-001	Screw (Light harness)	X	X	X
16	604690-001	Self-locking nylon cable tie (light harness)	X	X	X

ELECTRICAL EQUIPMENT (CONT.)

