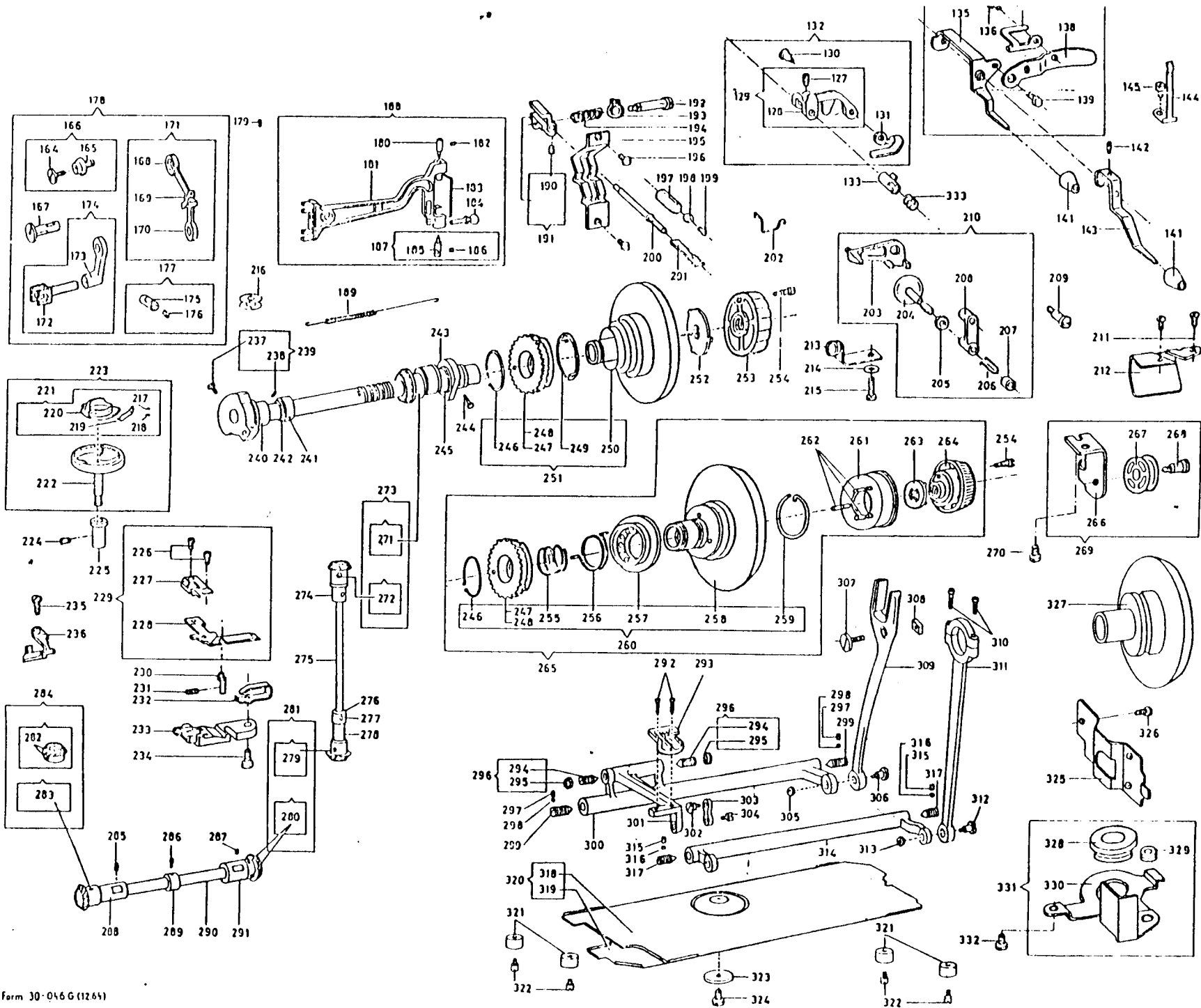


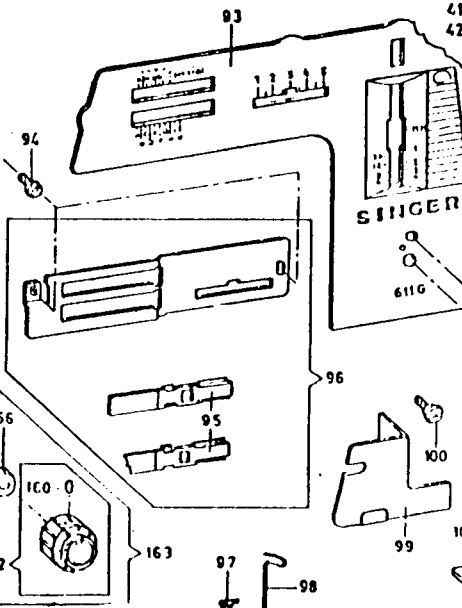
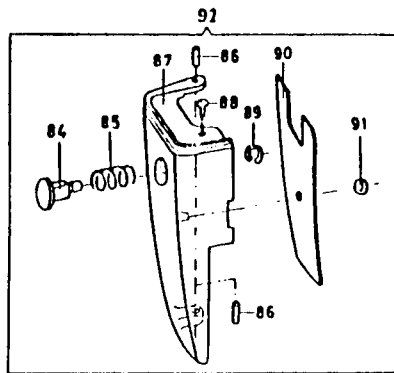
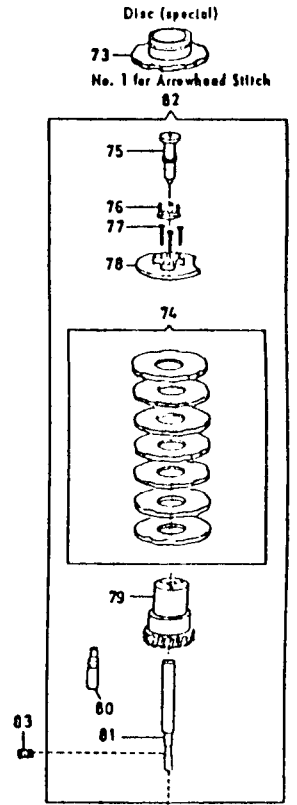
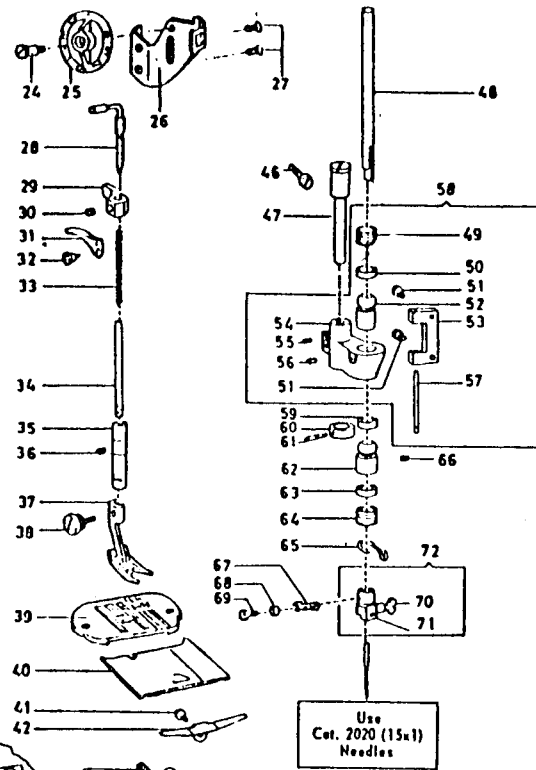
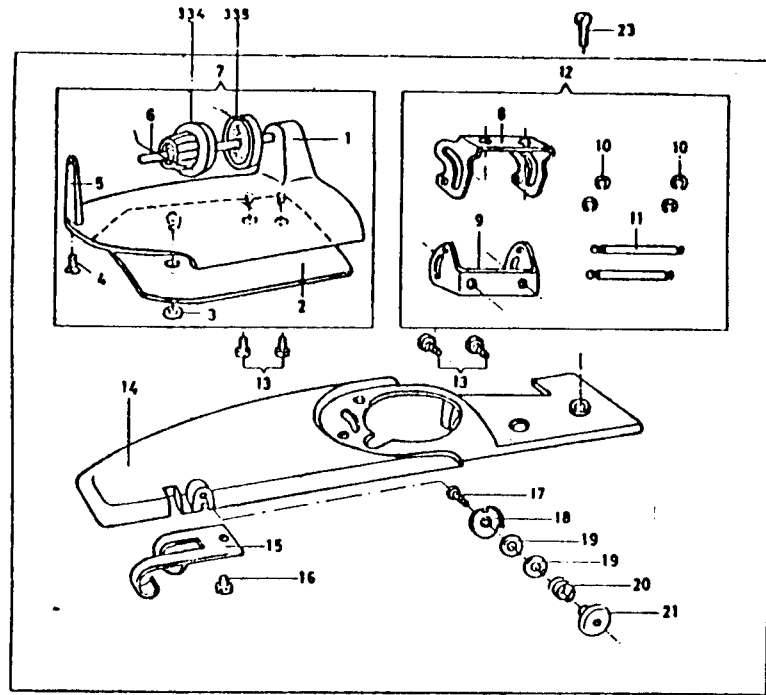
SINGER
611,3343

SINGER 611

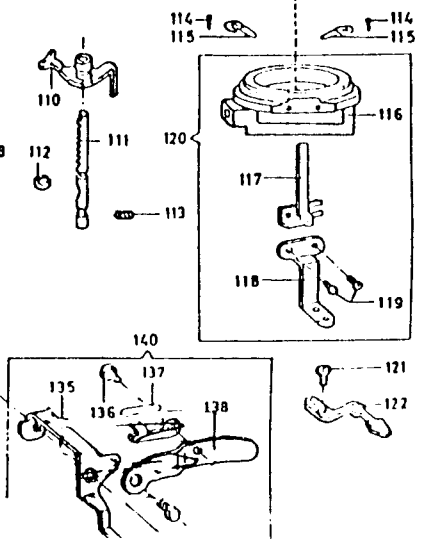
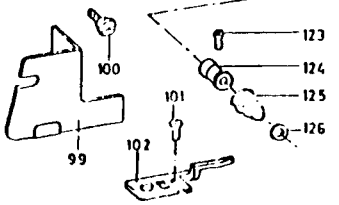
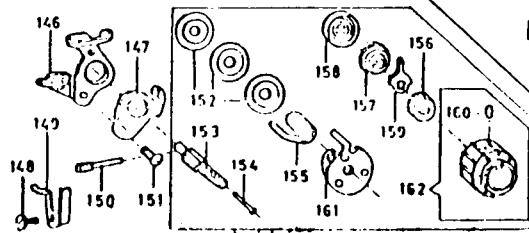
Sammas 3343



SINGER 611



Use
Cat. 2020 (15x1)
Needles



LIST OF PARTS FOR MACHINE 611.

ILL. REF. No.	PART NO.	DESCRIPTION	COMPONENTS	ILL. REF. No.	PART NO.	DESCRIPTION	COMPONENTS
1	507156	Arm Top Cover Lid		94	1230-819	Disc Selector Arm (back and front)	
2	507152	Stitch Pattern Index Plate				Position Indicator Plate and Light Shield Screw (2)	
3	21451	Stitch Pattern Index Plate Retainer		95	507172	Disc Selector Arm (back and front)	
4	500246-821	Arm Top Cover Lid Thread Guide Screw				Position Indicator (2)	
5	507157	Arm Top Cover Lid Thread Guide		96	507173	Disc Selector Arm (back and front)	
6	507159	Arm Top Cover Spool Pin				Position Indicator Plate with two 507172	
7	507162	Arm Top Cover Lid opl.	500246-821, 21451, 507156, 507157, 507159, 507152	97-	500311-850	Chain Stitch Thread Guide Set Screw	
8	163193	Arm Top Cover Lid Hinge (upper half)		98	503619	Chain Stitch Thread Guide	
9	163192	Arm Top Cover Lid Hinge (lower half)		99	93110	Light Shield	
10	14494	Arm Top Cover Lid Hinge Pin Retaining Ring (4)		100	141189-850	Light Bracket Pivot Screw	
11	14495	Arm Top Cover Lid Hinge Pin (2)		101	914-805	Disc Selector Arm (front) Stop Screw	
12	163194	Arm Top Cover Lid Hinge opl.	163192, 163193, two 14495, four 14494,	102	507095	Disc Selector Arm (front) Stop	
13	1230-819	Arm Top Cover Lid Hinge Screw (lower and upper half) (4)		103	21151	Control Panel Insert	
14	507125	Arm Top Cover		104	141187-819	Control Panel Screw	
15	14487	Face Plate Catch		105	507199	Needle Bar Driving Arm Plate Tension Arm	
16	1230-819	Arm Top Cover and Face Plate Catch Screw		106	1429-803	Needle Bar Driving Arm Plate Tension Arm Screw Stud	
17	185-852	Pre-tension Screw		107	507195	Disc Selector Arm (back) Bracket Follower	
18	163159	Pre-tension Thread Guide		108	172121	Disc Selector Arm (back) Bracket Follower Index Pin	
19	9543	Pre-tension Disc (2)		109	140702-830	Disc Selector Arm (back) Bracket Follower Index Pin Set Screw	
20	9545-002	Pre-tension Disc Spring		110	507175	Disc Selector Arm (front) Bracket Follower	
21	163189	Pre-tension Disc Cover		111	507178	Disc Selector Arm (front) Bracket Follower Index Pin	
22	507163	Arm Top Cover with Arm Top Cover Lid opl.	185-852, 9545-002, 14487, 163159, 163189, 163194, 507125, 507162, two 9543, five 1230-819	112	507188	Disc Selector Arm (front) Bracket Follower Index Pin Stop Ring	
23	158-852	Arm Top Cover Screw		113	624-830	Disc Selector Arm (front) Bracket Follower Index Pin Set Screw	
24	141142-805	Presser Bar Pressure Regulating Knob Screw		114	140789-819	Right Amplitude and Pattern Selector Stop Plate Screw (2)	
25	172537-003	Presser Bar Pressure Regulating Knob		115	172271	Right Amplitude and Pattern Selector Stop Plate (2)	
26	172538	Presser Bar Pressure Regulating Knob Bracket		116	172017	Right Amplitude and Pattern Selector Disc Selector Arm (front) Bracket Follower Stop	
27	402-855	Presser Bar Pressure Regulating Knob Bracket Screw (2)		117	21477	Right Amplitude Control Lever Bracket	
28	172536	Presser Bar Pressure Regulating Extension Pin		119	185-805	Right Amplitude Control Lever Bracket Screw (2)	
29	170065-001	Presser Bar Guide Bracket with 453-830		120	21085	Right Amplitude and Pattern Selector opl.	14482, 21477, 172017, two 185-805
30	453-830	Presser Bar Guide Bracket Set Screw		121	140805-830	Right Amplitude Control Lever Screw	
31	507192	Presser Bar Lifter		122	20890	Right Amplitude Control Lever	
32	85-805	Presser Bar Lifter Hinge Screw		123	140857-819	Disc Selector Arm (back) Lever Knob Shaft Bushing Screw	
33	170067	Presser Bar Spring		124	172567-002	Disc Selector Arm (back) Lever Knob Shaft Bushing	
34	172068	Presser Bar		125	16334	Disc Selector Arm (back) Return Spring	
35	172069-001	Presser Bar Bushing		126	14477	Disc Selector Arm (back) Lever Knob Shaft Sound dampening Washer	
36	453-830	Presser Bar Bushing Set Screw		127	448-830	Disc Selector Arm (back) Set Screw	
37	172075-001	Presser Foot opl. for Zig-Zag Sewing		128	172117-001	Disc Selector Arm (back)	
38	140240-852	Presser Foot Thumb Screw		129	507157	Disc Selector Arm (back) opl.	448-830, 172117-001
39	507113	Throat Plate for Zig-Zag Sewing		130	959-803	Disc Selector Arm (back) Bracket Hinge Screw	
40	507142	Bed Slide		131	172119	Disc Selector Arm (back) Bracket	
41	140828-833	Bed Slide Spring Screw		132	507156	Disc Selector Arm (back) opl.	959-803, 172119, 507157
42	172016	Bed Slide Spring		133	507181	Needle Bar Driving Arm Plate Tension Arm Release Bushing	
43	50429-833	Throat Plate Catch Pin Screw (2)					
44	507197	Throat Plate Catch Pin (2)					
45	507196	Throat Plate Securing Magnet (2)					
46	141237-819	Needle Bar Vibrating Bracket Hinge Pin (eccentric) Clamping Screw					
47	172535	Needle Bar Vibrating Bracket Hinge Pin (eccentric)					
48	172033	Needle Bar					
49	172220-819	Needle Bar Ball Bushing (upper) Adjusting Screw					
50	172036	Needle Bar Ball Bushing (upper) Hooklet					

LIST OF PARTS FOR MACHINE 611

ILL. REF. No.	PART NO.	DESCRIPTION	COMPONENTS	ILL. REF. No.	PART NO.	DESCRIPTION	COMPONENTS
51	1115-003	Needle Bar Driving Arm Hinge Bracket Screw (2)		134	507096	Disc Selector Arm (back) Lever Knob Shaft	
52	172034	Needle Bar Ball Bushing (upper)		135	507097	Disc Selector Arm (front)	
53	172050	Needle Bar Driving Arm Hinge Bracket		136	959-805	Disc Selector Arm (front) Bracket Hinge Screw	
54	172058	Needle Bar Vibrating Bracket		137	163105	Disc Selector Arm (front) Bracket	
55	990-830	Needle Bar Driving Arm Hinge Bracket Hinge Pin Set Screw		138	163106	Disc Selector Arm (front) Extension	
56	50311-830	Needle Bar Ball Bushing (upper) Adjusting Screw Set Screw		139	140596-833	Disc Selector Arm (front) Extension Screw	
57	172051-002	Needle Bar Driving Arm Hinge Bracket Hinge Pin		140	507090	Disc Selector Arm (front) opl.	959-803, 140596-833, 163105, 163186, 507097.
58	172060-002	Needle Bar Vibrating Bracket opl.	998-830, 50311-830, 172034, 172036, 172050, 172051-002, 172058, 172220-819, two 1115-803	141	21155	Disc Selector Arm (back and front) Knob (2)	
59	172057	Needle Bar Ball Bushing (lower) Bracket (upper)		142	809-830	Disc Selector Arm (back) Lever Set Screw	
60	507164	Needle Bar Vibrating Bracket Hinge Pin Collar with 50603-803		143	14400	Disc Selector Arm (back) Lever with 809-830	
61	50603-803	Needle Bar Vibrating Bracket Hinge Pin Collar Set Screw		144	16335	Disc Selector Arm (front) Return Spring	
62	172054	Needle Bar Ball Bushing (lower)		145	1230-819	Disc Selector Arm (front) Return Spring Screw	
63	172056	Needle Bar Ball Bushing (lower) Bracket (lower)		146	163009	Thread Guide (upper)	
64	172220-819	Needle Bar Ball Bushing (lower) Adjusting Screw		147	45345	Slack Thread Regulator and Tension Thread Guide	
65	172144	Thread Guide (lower)		148	140563-803	Tension Releasing Lever Hinge Screw	
66	50311-830-	Needle Bar Ball Bushing (lower) Adjusting Screw Set Screw		149	163231	Tension Releasing Lever	
67	172225	Needle Clamp Thread Guide		150	140756-830	Tension Stud Set Screw	
68	172066	Needle Stop Screw Thread Protector		151	329-852	Slack Thread Regulator and Tension Thread Guide and Thread Guide (upper) Screw	
69	189-821	Needle Clamp Body, Needle Clamp Thread Guide and Needle Stop Screw		152	172226	Tension Disc (2)	
70	140751-853	Needle Thumb Screw		153	140170-821	Tension Stud	
71	172223	Needle Clamp Body		154	172140	Tension Releasing Pin	
72	172224	Needle Clamp opl.	140751-853, 172223	155	66774-002	Thread Take-up Spring	
73	172185	Disc No. 1, for Arrowhead Stitch		156	163210	Tension Indicator Adaptor	
74	172204	Disc Set complete (for Agents only)		157	125314	Tension Spring	
75	172195	Right Amplitude and Pattern Selector and Worm Wheel Shaft Screw Stud		158	163211	Tension Spring Cup	
76	172020	Disc Retaining Spring		159	163209	Tension Indicator Stop Washer	
77	51095-803	Disc (fixed) Clamping Plate Screw (3)		160	853-830	Tension Indicator Set Screw	
78	507640	Disc (fixed) Clamping Plate		161	172220-001	Thread Take-up Spring Thread Guard	
79	172114	Disc Driving Worm Wheel		162	163212	Tension Indicator with 853-830	
80	172109	Disc (fixed) Position Pin		163	163213	Tension (graduated, adjustable) opl.	66774-002, 125314, 140170-821, 163209, 163210, 163211, 163212, 172140, 172228-001, three 172226
81	172019	Right Amplitude and Pattern Selector and Worm Wheel Shaft		164	1130-805	Thread Take-up Lever Link Hinge Stud Cap Screw	
82	172115	Disc Driving Worm Wheel 172114 with seven fixed Discs.	172019, 172020, 172109, 172195, 507640, three 51095-803	165	173558	Thread Take-up Lever Hinge Link Stud	
83	140702-830	Right Amplitude and Pattern Selector and Worm Wheel Shaft Set Screw		166	33704	Thread Take-up Lever Link Hinge Stud 173558 with 1130-805 (for Agents only)	
84	507170	Needle Bar Driving Arm Plate Release Push Knob		167	172145	Thread Take-up Stud	
85	507169	Needle Bar Driving Arm Plate Release Push Knob Spring		168	45025	Thread Take-up Lever Link	
86	170032	Face Plate Hinge Pin (2)		169	45024	Thread Take-up Lever Hinge Stud	
87	507093	Face Plate		170	172330	Thread Take-up Lever	
88	507569-810	Face Plate Catch Locking Pin		171	172331	Thread Take-up Lever opl.	45024, 45025, 172330
89	503613	Needle Bar Driving Arm Plate Release Push Knob Retaining Ring		172	172323	Needle Bar Connecting Stud	
90	507143	Threading Diagram		173	507204	Needle Bar Connecting Link	
91	21451	Threading Diagram Retainer		174	507159	Needle Bar Connecting Link 172323 with 507204	
92	507171	Face Plate opl.	21451, 507000, 507093, 507143, 507169, 507170, 507569-810, two 170032	175	172043	Needle Bar Connecting Stud Hinge Pin	
				176	1266-830	Needle Bar Clamping Screw	
				177	172044	Needle Bar Connecting Stud Hinge Pin opl.	1266-830, 172043
				178	507200	Thread Take-up Lever opl.	1130-805, 172044, 172145, 172331, 173550, 507159.
93	507147	Control Panel					

LIST OF PARTS FOR MACHINE 611

ILL. REF. No.	PART NO.	DESCRIPTION	COMPONENTS	ILL. REF. No.	PART NO.	DESCRIPTION	COMPONENTS
179	1259-830	Thread Take-up Stud Set Screw		270	1454-819	Treadle Belt Idler Pulley Bracket Screw	
180	172055-002	Needle Bar Driving Arm Plate Pin (upper)		271	140558-830	Arm Shaft (horizontal) Bevel Gear, Feed Cam and Feed Lifting Eccentric Set Screw	
181	172046-001	Needle Bar Driving Arm		272	140992-830	Arm Shaft (upright) Bevel Gear (upper) Set Screw	
182	50311-830	Needle Bar Driving Arm Plate Pin (upper) Set Screw		273	170141	Pair of Gears (upper shaft)	170120, 170122
183	172052-002	Needle Bar Driving Arm Plate				Notes: No. 170141 is not furnished to USA and Canadian Agencies. The machine must be returned to the factory for gear replacements.	
184	172049	Needle Bar Driving Arm Ball Pivot		274	170132	Arm Shaft (upright) Bushing (upper)	
185	172053-002	Needle Bar Driving Arm Plate Pin (lower)		275	172006	Arm Shaft (upright)	
186	50311-830	Needle Bar Driving Arm Ball Pivot Set Screw		276	507158	Arm Shaft (upright) Collar with 50150-833	
187	172054-002	Needle Bar Driving Arm Plate Pin (lower) opl.	50311-830, 172053-002	277	50150-833	Arm Shaft (upright) Collar Set Screw	
188	507160	Needle Bar Driving Arm opl.	50311-830, 172046-001, 172049, 172052-002, 172054-002, 172055-002	278	507144	Arm Shaft (upright) Bushing (lower)	
189	172057-001	Needle Bar Driving Arm Tension Spring		279	140992-830	Arm Shaft (upright) Bevel Gear (lower) Set Screw	
190	1120-830	Feed Regulator Stud Set Screw		280	140992-830	Rotating Hook Drive Shaft Bevel Gear (back) Set Screw (2)	
191	507092	Feed Regulator with 1120-830 (for Agents only)		281	172210-002	Pair of Gears (lower shafts, Rotating Hook End) Nos. 172208-002, 172209	
192	140767-803	Feed Regulator Hinge Screw				Notes: No. 172210-002 is not furnished to USA and Canadian Agencies. The machine must be returned to the factory for gear replacement.	
193	170180	Feed Regulator Hinge Screw Tension Spring Seat		202	140992-830	Rotating Hook Bevel Gear Set Screw	
194	170179	Feed Regulator Hinge Screw Tension Spring		203	140992-830	Rotating Hook Drive Shaft Bevel Gear (front) Set Screw	
195	507126	Stitch Indicator Plate		204	170140	Pair of Gears (lower shafts) Nos. 170123 and 170121	
196	141171-813	Stitch Indicator Plate Screw (2)				Notes: No. 170140 is not furnished to USA and Canadian Agencies. The machine must be returned to the factory for gear replacements.	
197	163114-821	Feed Regulator Stud Slide		205	140702-830	Rotating Hook Drive Shaft Bushing (front) Set Screw	
198	163227	Actuating Thumb Nut		206	237-830	Rotating Hook Drive Shaft Collar Set Screw	
199	141183-852	Feed Regulator Stud Slide Actuating Thumb Nut Washer		207	140702-830	Rotating Hook Drive Shaft Bushing (back) Set Screw	
200	163226	Feed Regulator Stud		208	163015	Rotating Hook Drive Shaft Bushing (front)	
201	163008	Feed Regulator Stud Slide		209	172324	Rotating Hook Drive Shaft Collar with 237-830	
202	507104	Frame Adjusting Lever Spring		290	172093	Rotating Hook Drive Shaft	
203	507103	Frame Adjusting Lever		291	163014	Rotating Hook Drive Shaft Bushing (back)	
204	507105	Spindle		292	208-830	Feed Dog Screw (2)	
205	507106	Spindle Retaining Washer		293	507106	Feed Dog, 13 teeth (16 teeth to the inch)	
206	45836	Spindle Bobbin Retaining Spring		294	315-803	Feed Bar Screw Center (2)	
207	507107	Spindle Bobbin Retaining Spring Collar		295	1519-813	Feed Bar Screw Center Nut (2)	
208	507102	Frame		296	15445	Feed Bar Screw Center opl.	315-803, 1519-813
209	500317-850	Frame Hinge Screw		297	140702-830	Feed Hook Shaft Center Set Screw (2)	
210	507109	Bobbin Winder opl.	45836, 507102, 507103, 507105, 507106, 507107	298	172029	Feed Hook Shaft Center Set Screw Insert (brass) (2)	
211	140180-809	Switch Mounting Bracket Screw (2)		299	140749-803	Feed Hook Shaft Center (2)	
212	507148	Switch Mounting Bracket		300	170054	Feed Hook Shaft	
213	507108	Tension Bracket opl.		301	172026	Feed Bar	
214	21202	Tension Bracket Screw Washer		302	999-003	Feed Bar Connecting Link Hinge Screw	
215	157-813	Tension Bracket Screw		303	170037	Feed Bar Connecting Link	
216	172336	Rotating Hook Bobbin (plastic)		304	45723	Feed Bar Connecting Link Hinge Stud	
217	141030-830	Rotating Hook Bobbin Case Tension Spring Screw		305	1520-813	Feed Forked Connection Hinge Screw Nut	
218	1172-806	Rotating Hook Bobbin Case Tension Regulating Screw		306	140012-803	Feed Forked Connection Hinge Screw (eccentric)	
219	172202	Rotating Hook Bobbin Case Tension Spring		307	141064-805	Feed Forked Connection Slide Block Screw Stud	
220	507193	Rotating Hook Bobbin Case		308	172329	Feed Forked Connection Slide Block	
221	507202	Rotating Hook Bobbin Case opl.	1172-806, 141030-830, 172202, 507193,	309	172328	Feed Forked Connection with 141064-005	
222	507084	Rotating Hook					

LIST OF PARTS FOR MACHINE 611

ILL. REF. No.	PART NO.	DESCRIPTION	COMPONENTS	ILL. REF. No.	PART NO.	DESCRIPTION	COMPONENTS
222	507201	Rotating Hook with Bobbin Case opl.	507064, 507202	310	696-830	Feed Lifting Rook Shaft Connecting Rod Cap Screw (2)	
224	140702-830	Rotating Hook Flanged Bushing (eccentric) Set Screw		311	170051	Feed Lifting Rook Shaft Connecting Rod with two 096-830	
225	507161	Rotating Hook Flanged Bushing (eccentric)		312	140576-803	Feed Lifting Rook Shaft Connecting Rod Hinge Screw (eccentric)	
226	662-033	Rotating Hook Bobbin Case Cushion Spring Screw (2)		313	1520-813	Feed Lifting Rook Shaft Connecting Hinge Screw (eccentric) Nut	
227	507187	Rotating Hook Bobbin Case Cushion Spring		314	172020	Feed Lifting Rook Shaft	
228	507111	Rotating Hook Bobbin Case Cushion Spring Bracket		315	140702-830	Feed Lifting Rook Shaft Center Set Screw (2)	
229	507151	Rotating Hook Bobbin Case Cushion Spring Bracket opl.	507111, 507187, two 662-030	316	172029	Feed Lifting Rook Shaft Center Set Screw Insert (brass) (2)	
230	172087-002	Rotating Hook Bobbin Case Cushion Spring Bracket Adjusting Stud (eccentric)		317	140749-803	Feed Lifting Rook Shaft Center (2)	
231	50311-830	Rotating Hook Bobbin Case Cushion Spring Bracket Adjusting Stud (eccentric) Set Screw		318	507129	Bed Cover Plate (bottom) Felt	
232	172205	Rotating Hook Bobbin Case Cushion Spring Bracket Plate Spring		319	507128	Bed Cover Plate (bottom)	
233	163069	Rotating Hook Bobbin Case Cushion Spring Bracket Plate		320	507130	Bed Cover Plate (bottom)	
234	141213-005	Rotating Hook Bobbin Case Cushion Spring Bracket Screw		321	172203	Bed Cushion (4)	
235	500330-850	Rotating Hook Bobbin Case Position Finger Screw		322	140009-005	Bed Cushion Screw (4)	
236	507134	Rotating Hook Bobbin Case Position Finger		323	8079-774	Bed Cover Plate (bottom) Thumb Screw Nut Washer (felt)	
237	140086-030	Needle Bar Crank Position Screw		324	500284-819	Bed Cover Plate (bottom) Screw	
238	941-830	Thread Take-up Lever Link Hinge Stud Set Screw		325	507127	Bed Cover Plate (right end)	
239	172002	Arm Shaft (horizontal) with 140086-830 end 1259-830		326	140180-009	Bed Cover Plate (right end) Screw	
240	172003	Arm Shaft (horizontal) Bushing (front)		327	507118	Hand Wheel	
241	453-830	Arm Shaft (horizontal) Collar Set Screw		328	507165	Motor Hold down Plate Resilient Mount	
242	170006	Arm Shaft (horizontal) Collar with 453-830		329	507166	Motor Hold down Plate Grommet	
243	507124	Arm Shaft (horizontal) Counterbalance		330	507149	Motor Hold down Plate	
244	140559-803	Arm Shaft (horizontal) Counterbalance Set Screw		331	507167	Motor Hold down Plate opl.	507149, 507165, 507166
245	172302	Arm Shaft (horizontal) Bushing (back)		332	181-819	Motor Hold down Plate Screw	
246	170021	Hand Wheel Snap Ring		333	16322	Needle Bar Driving Arm Plate Tension Arm Release Bushing Spring	
247	172298	Hand Wheel Gear (Texolite)		334	163149-002	Arm Top Cover Spool Pin Thread Lead-off	
248	172303	Hand Wheel Gear (nylon)		335	163148-001	Arm Top Cover Spool Seat	
		Note: No. 172303 may be used as alternate to No. 172298					
249	172299-001	Hand Wheel Gear Spring					
250	507119	Hand Wheel					
251	507120	Hand Wheel opl.	170021, 172298 or 172303, 172299-001, 507119	507123		Arm and Bed (Machine Head, ornamented)	941-830, 140563-803, 141237-819, 163014, 170132, 172003, 172302, 507144, two 51045-830, four each 140749-803, 172029 and seven 140702-830
252	172317	Clamp Stop Motion Clamp Washer					
253	500793	Clamp Stop Motion Clamp Nut					
254	50025-851	Clamp Stop Motion Clamp Stop Screw					
255	507631	Hand Wheel Gear Position Spring					
256	507613	Hand Wheel Gear Spring					
257	507632	Motor Treadle Hand Wheel Gear Coupling					
258	507121	Motor Treadle Hand Wheel					
259	507627	Motor Treadle Hand Wheel Selector Pin Position Spring					
260	507122	Motor Treadle Hand Wheel opl.	170021, 172298 or 172303, 507121, 507613, 507627, 507631, 507632				
261	507155	Motor Treadle Selector with three 507607					
262	507607	Motor Treadle Hand Wheel Selector Pin (3)					
263	507086	Clamp Stop Motion Clamp Washer					
264	500791-774	Clamp Stop Motion Clamp Nut					
265	507154	Motor Treadle Hand Wheel opl.	500791-774, 507086, 507122, 507155				
266	507099	Treadle Belt Idler Pulley Bracket					
267	507100	Treadle Belt Idler Pulley					
268	500314-850	Treadle Belt Idler Pulley Stud Screw					
269	507101	Treadle Belt Idler opl.	500314-850, 507099, 507100				

FOR INFORMATION

Note: Due to the accuracy required for gear alignment, Arm cannot be supplied separately and can only be sent as an unit, Arm and Bed assembled.