

**SINGER**  
**6100/8100/8200**

**SINGER**

SINGER FACTORY

MONZA

pgy

**Sewing Machines Series**

**Supplemental List of Parts**

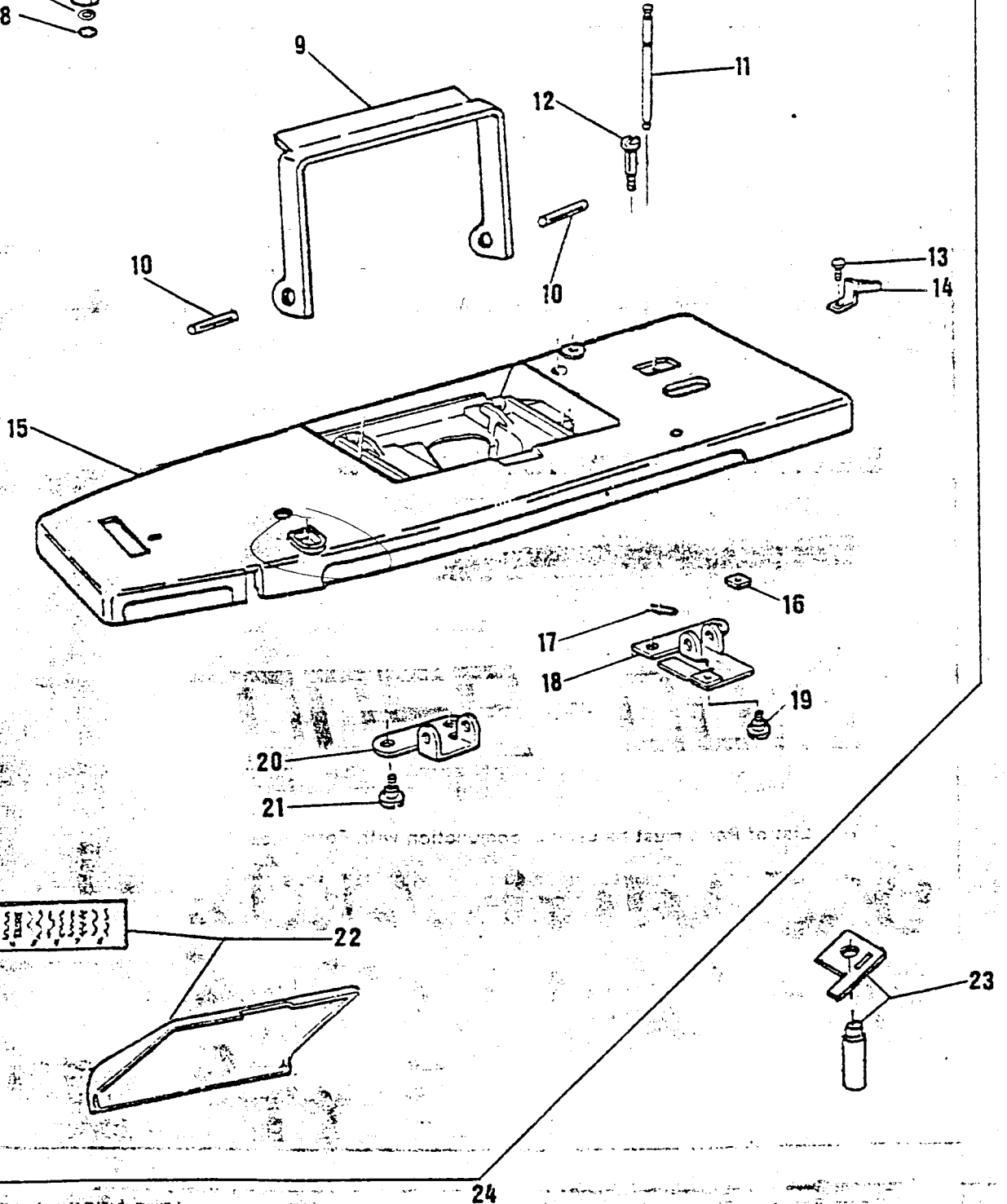
**8100 - 8200**

• This List of Parts must be used in conjunction with Form 1005

**USE WITH 6100 series**  
**P/C - COPY behind**  
**SUPPLEMENT**

8100/8200 series

- 2
- 3
- 4
- 5
- 6
- 7
- 8

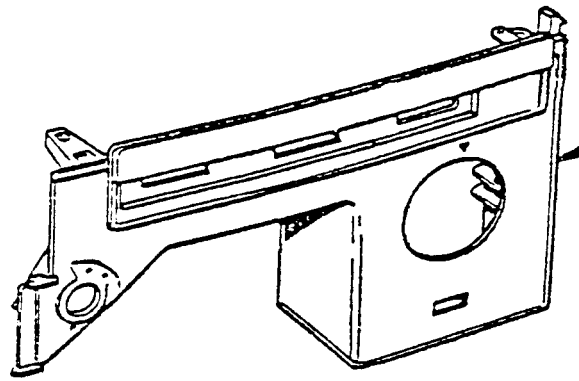
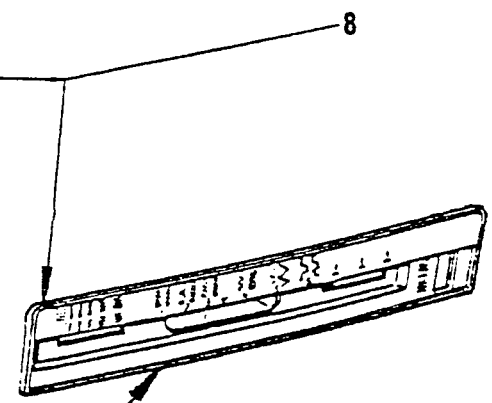
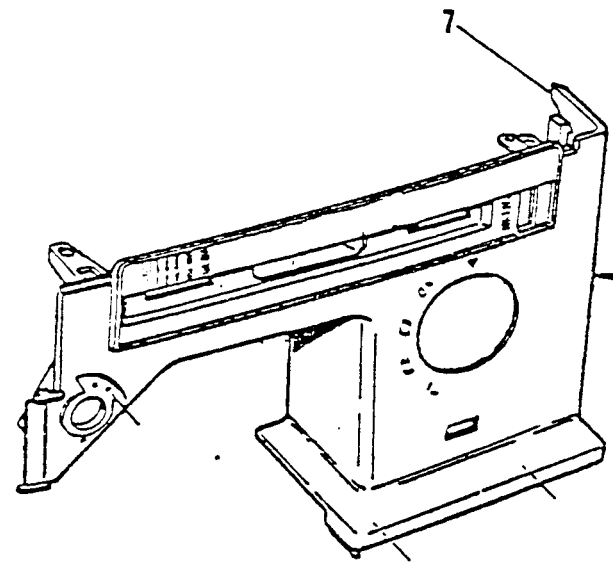
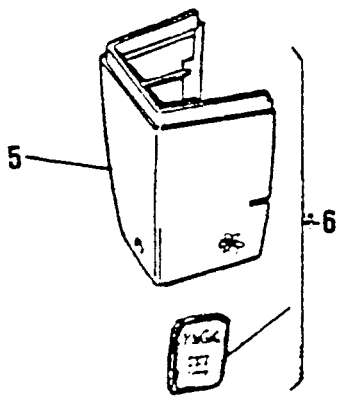
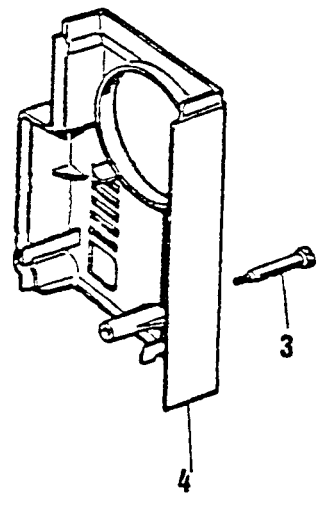
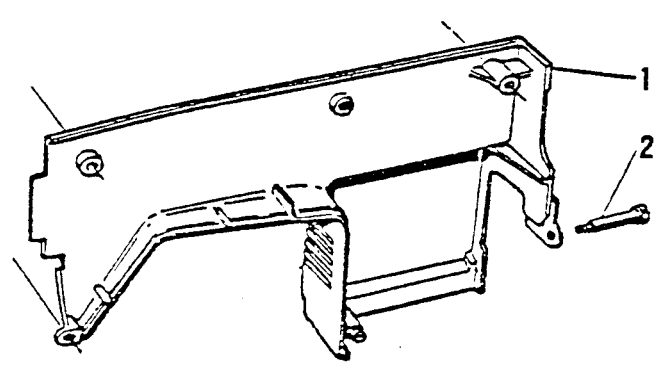


LIST OF PARTS FOR MACHINES 8100/8200 SERIES

| REF. N.  | PART. N.   | 8109 | 8209 | 8214 | 8222 | 8234 | 8134 | PART DESCRIPTION                          |
|--|------------|------|------|------|------|------|------|---|
| 1  | 422069-451 | X    | X    | X    | X    | X    | X    | Bobbin winder tension cpl.                |
| 2  | 44751      | X    | X    | X    | X    | X    | X    | Bobbin winder tension stud                |
| 3  | 45847      | X    | X    | X    | X    | X    | X    | Bobbin winder tension disc spring         |
| 4  | 45915      | X    | X    | X    | X    | X    | X    | Tension disc.                             |
| 5  | 319717     | X    | X    | X    | X    | X    | X    | Tension bracket and thread guide          |
| 6  | 44770-459  | X    | X    | X    | X    | X    | X    | Tension bracket spacer                    |
| 7  | 352732     | X    | X    | X    | X    | X    | X    | Tension stud washer                       |
| 8  | 44449      | X    | X    | X    | X    | X    | X    | Tension stud retaining ring               |
| 9  | 447502     | X    | X    | X    | X    | X    | X    | Machine handle                            |
| 10   | 447503     | X    | X    | X    | X    | X    | X    | Machine handle hinge pin                  |
| 11   | 44998-452  | X    | X    | X    | X    | X    | X    | Arm top cover spool pin ( retractable)    |
| 12   | 141788     | X    | X    | X    | X    | X    | X    | Arm top cover screw                       |
| 13   | 141808     | X    | X    | X    | X    | X    | X    | Bobbin winder stop screw                  |
| 14   | 44365      | X    | X    | X    | X    | X    | X    | Bobbin winder stop                        |
| 15   | 447514-900 | X    | X    | X    | X    | X    | X    | Arm top cover                             |
| 16   | 53640      | X    | X    | X    | X    | X    | X    | Bobbin winder stop screw nut              |
| 17   | 45000      | X    | X    | X    | X    | X    | X    | Arm top cover spool pin retaining         |
| 18   | 352929     | X    | X    | X    | X    | X    | X    | Machine handle mounting bracket ( right ) |
| 19   | 113418-451 | X    | X    | X    | X    | X    | X    | Screw                                     |
| 20   | 352927     | X    | X    | X    | X    | X    | X    | Machine handle mounting bracket ( left )  |
| 21   | 113418-451 | X    | X    | X    | X    | X    | X    | Screw                                     |
| 22   | 447512-451 | X    | X    |      |      |      |      | Arm top cover lid assembly                |
|  | 447510-451 |      |      | X    |      |      |      | Arm top cover lid assembly                |
|  | 447508-451 |      |      |      | X    |      |      | Arm top cover lid assembly                |
|  | 447506-451 |      |      |      |      | X    | X    | Arm top cover lid assembly                |
| 23   | 447522     | X    | X    | X    | X    | X    | X    | Needle stop plate assembly                |
| 24   | 447515-451 |      |      |      |      | X    | X    | Arm top cover assembly                    |
|  | 447515-452 |      |      |      | X    |      |      | Arm top cover assembly                    |
|  | 447515-453 |      |      | X    |      |      |      | Arm top cover assembly                    |
|  | 447515-454 | X    | X    |      |      |      |      | Arm top cover assembly                    |
| Variety of :                                       |            | 6174 | 6184 | 6105 | 6120 | 7146 | 7186 |   |
| For parts not listed above refer to part of list : |            | 6174 | 6184 | 6120 | 5120 | 6120 | 5120 |   |

Hand 4

# 8100/8200 series

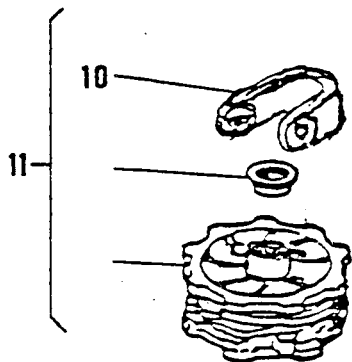
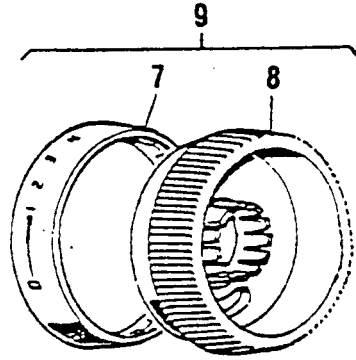
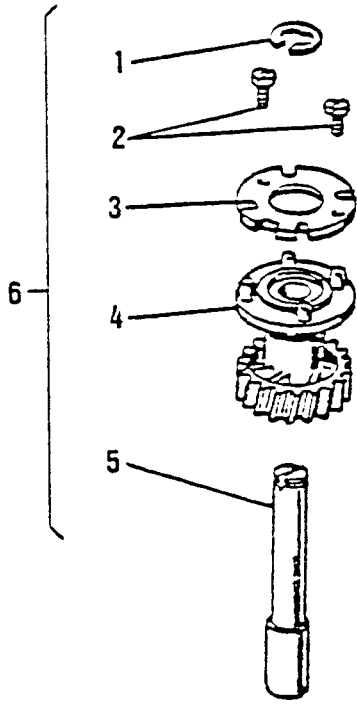


pg 5

LIST OF PARTS FOR MACHINES 8100/8200 SERIES

| REF. N.                                  | PART. N.   | 8109    | 8209    | 8214    | 8222    | 8234    | 8134    | PART DESCRIPTION                  |
|--|------------|---------|---------|---------|---------|---------|---------|-----------------------------------|
| 1  | 421652-451 |         |         |         |         |         | X       | Arm cover (back)                  |
| 2  | 354659-451 |         |         |         |         |         | X       | Arm cover screw (back and front)  |
| 3  | 354655-451 |         |         |         |         |         | X       | Arm cover screw (hand wheel side) |
| 4  | 421654-451 |         |         |         |         |         | X       | Arm cover (hand wheel side)       |
| 5  | 421653-451 | X       | X       | X       | X       | X       | X       | Face plate (blank)                |
| 6  | 447530-451 | X       | X       |         |         |         |         | Face plate assembly               |
|  | 447529-451 |         |         | X       |         |         |         | Face plate assembly               |
|  | 447528-451 |         |         |         | X       |         |         | Face plate assembly               |
|  | 447526-451 |         |         |         |         | X       | X       | Face plate assembly               |
| 7  | 422438     |         | X       | X       | X       | X       |         | Arm front cover (blank)           |
| 8  | 447523-451 |         | X       |         |         |         |         | Arm front cover cpl.              |
|  | 447521-451 |         |         | X       |         |         |         | Arm front cover cpl.              |
|  | 447519-451 |         |         |         | X       |         |         | Arm front cover cpl.              |
|  | 447517-451 |         |         |         |         | X       |         | Arm front cover cpl.              |
| 9  | 447524-451 | X       |         |         |         |         |         | Arm front cover cpl.              |
|  | 447518-451 |         |         |         |         |         | X       | Arm front cover cpl.              |
| Variety of :                             |            | 74 6174 | 84 6184 | 20 6105 | 20 6120 | 20 7146 | 20 7186 |                                   |
| For parts not listed above refer to part |            | 74      | 84      | 20      | 20      | 20      | 20      |                                   |

# 8100/8200 series

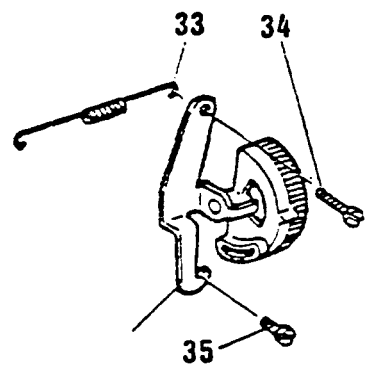
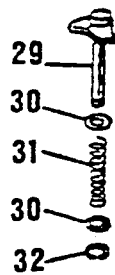
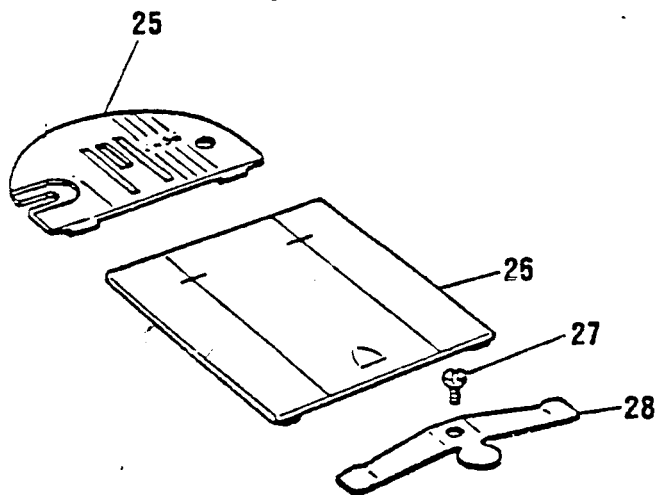
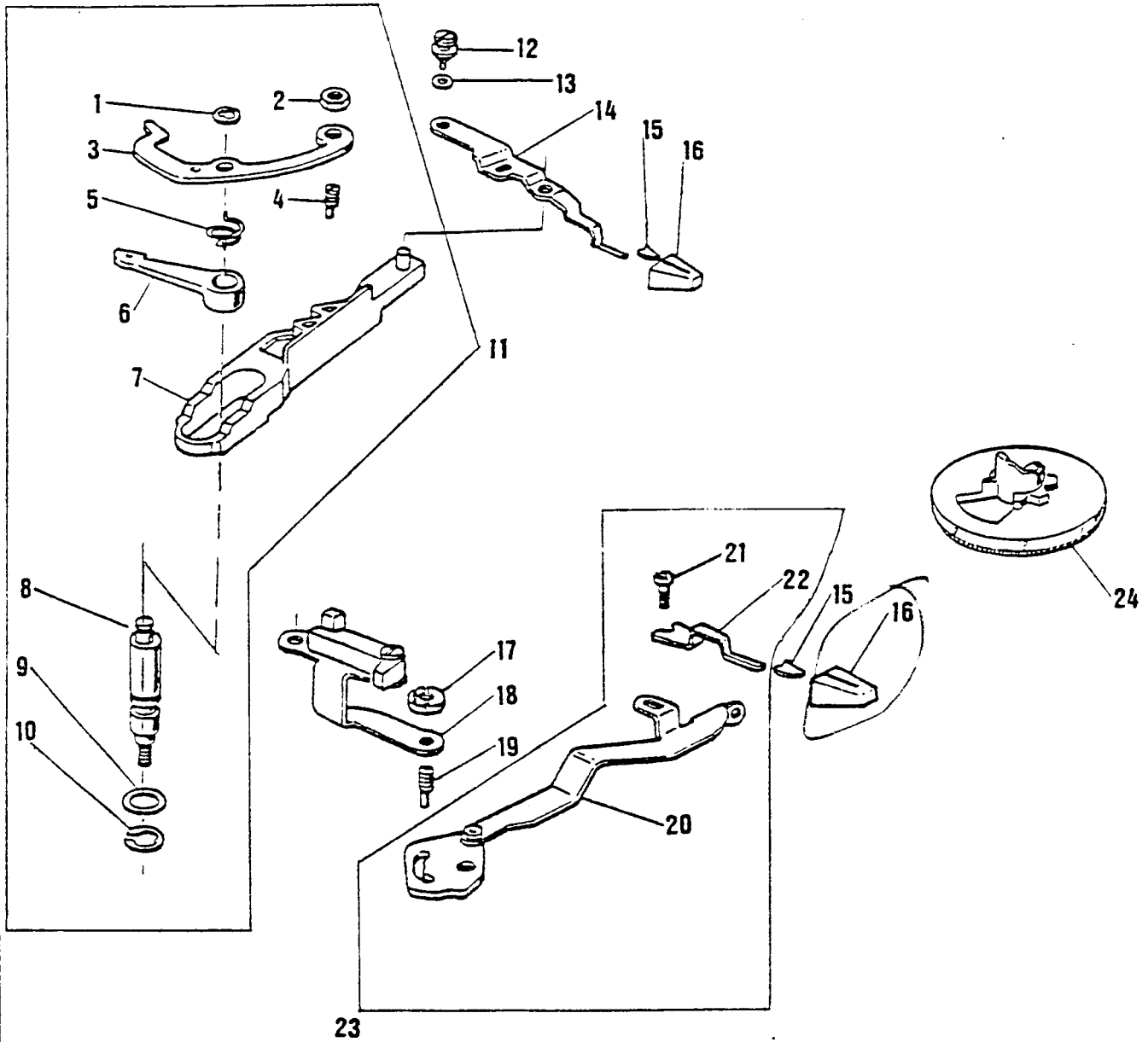


**LIST OF PARTS FOR MACHINES 8100/8200 SERIES**

| REF. N.  | PART. N.   | 8109 | 8209 | 8214 | 8222 | 8234 | 8134 | PART DESCRIPTION                   |
|--|------------|------|------|------|------|------|------|------------------------------------|
| 1  | 44730      | X    | X    | X    | X    | X    | X    | Retaining ring                     |
| 2  | 422440     | X    | X    | X    | X    | X    | X    | Disc positioning screw (2)         |
| 3  | 422260     | X    | X    | X    | X    | X    | X    | Disc mounting plate                |
| 4  | 447546     | X    | X    | X    | X    | X    | X    | Disc driving gear                  |
| 5  | 447548     | X    | X    | X    | X    | X    | X    | Disc driving gear shaft            |
| 6  | 447549     | X    | X    | X    | X    | X    | X    | Disc driving gear compl.           |
| 7  | 421938-452 |      |      | X    |      |      |      | Control dial ring ( hot stamped )  |
|  | 421938-456 |      |      |      | X    |      |      | Control dial ring ( hot stamped )  |
|  | 421938-455 |      |      |      |      | X    | X    | Control dial ring ( hot stamped )  |
| 8  | 421862-451 |      |      | X    | X    | X    | X    | Control dial ( plastic colour )    |
| 9  | 422021-455 |      |      | X    |      |      |      | Control dial cpl.                  |
|  | 422021-454 |      |      |      | X    |      |      | Control dial cpl.                  |
|  | 422021-453 |      |      |      |      | X    | X    | Control dial cpl.                  |
| 10   | 447531-451 | X    | X    | X    | X    | X    | X    | Disc stack retainer in M/C (White) |
|  | 447531-452 | X    | X    | X    | X    | X    | X    | Disc stack in attachment (Black )  |
| 11   | 447541-000 | X    | X    |      |      |      |      | Disc stack " 4 " ass'y in M/C      |
|  | 447537-001 |      |      | X    |      |      |      | Disc stack " 5 " ass'y in M/C      |
|  | 447537-000 |      |      |      | X    |      |      | Disc stack " 5 " ass'y in M/C      |
|  | 447533-000 |      |      |      |      | X    | X    | Disc stack " 8 " ass'y in M/C      |
| Variety of :                                       |            | 6174 | 6184 | 6105 | 6120 | 7146 | 7186 |                                    |
| For parts not listed above refer to part of list : |            | 5174 | 5184 | 5120 | 5120 | 5120 | 5120 |                                    |



# 8100/8200 series

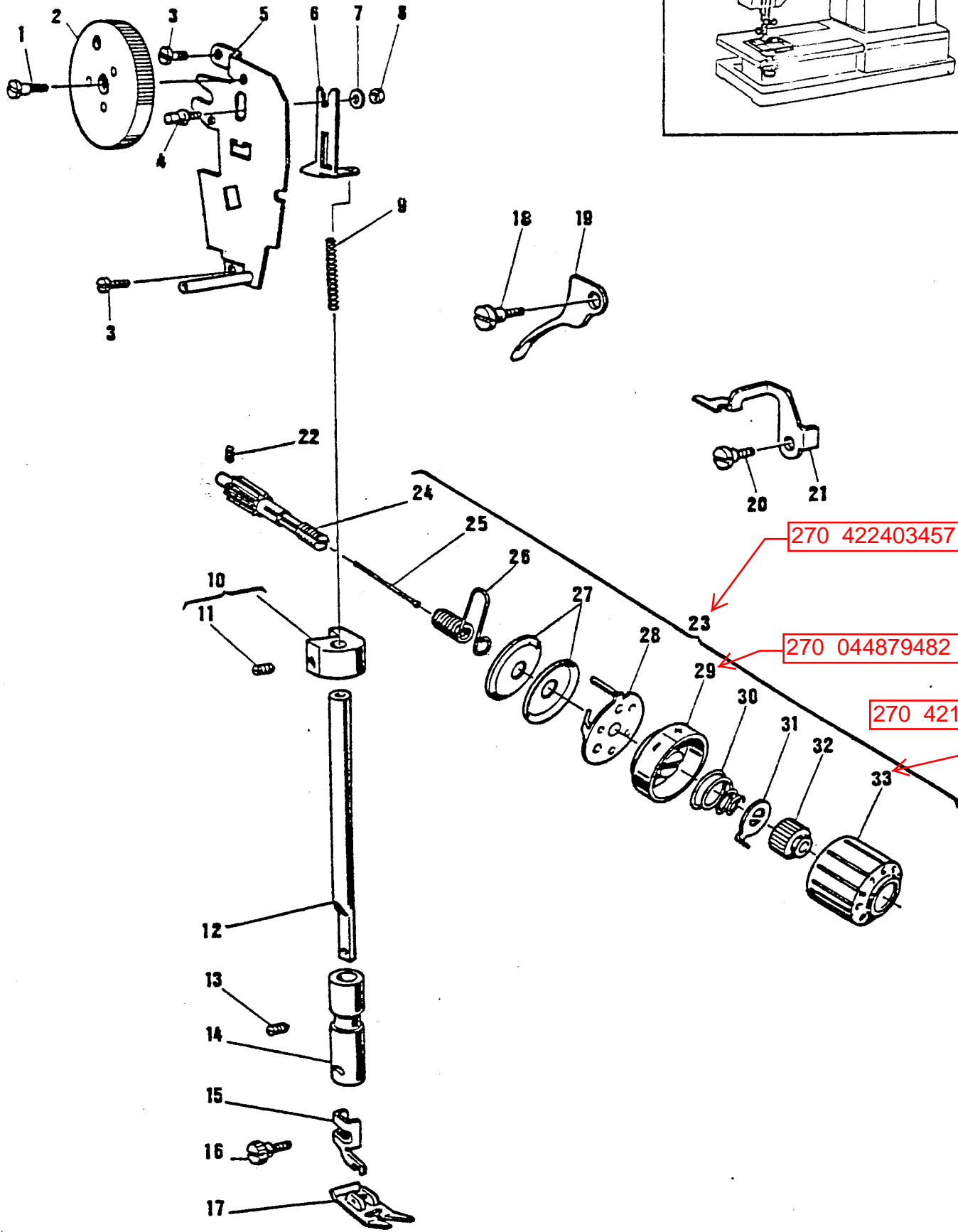
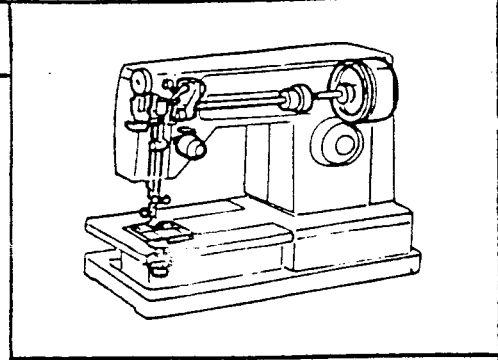


## LIST OF PARTS FOR MACHINES 6100 SERIES

| REF.<br>N. | PART. N.   | 6174 | 6184 | 6100 | 6106 | 6105 | 6104 | 6102 | PART DESCRIPTION                        |
|------------|------------|------|------|------|------|------|------|------|---|
| 1          | 102840     | X    | X    | X    | X    | X    | X    | X    | Needle plate clamp                      |
| 2          | 153930     | X    | X    | X    | X    | X    | X    | X    | Needle plate clamp spring               |
| 3          | 352461     | X    |      |      |      |      |      |      | Needle plate -                          |
| 4          | 312391     |      | X    | X    | X    | X    | X    | X    | Needle plate                            |
| 5          | 44838      | X    |      |      |      |      |      |      | Bed slide -                             |
| 6          | 422229     |      | X    | X    | X    | X    | X    | X    | Bed slide                               |
| 7          | 179658     | X    | X    | X    | X    | X    | X    | X    | Clip                                    |
| 8          | 354134     |      | X    | X    | X    | X    | X    | X    | Bed slide spring screw (2)              |
| 9          | 354799     | X    |      |      |      |      |      |      | Bed slide spring screw                  |
| 10         | 103344     |      | X    | X    | X    | X    | X    | X    | Bed slide spring                        |
| 11         | 37239      | X    |      |      |      |      |      |      | Bed slide spring                        |
| 12         | 422129     |      | X    | X    | X    | X    | X    | X    | Retaining plate                         |
| 13         | 319735     |      | X    | X    | X    | X    | X    | X    | Spring                                  |
| 14         | 319737-451 | X    | X    | X    | X    | X    | X    | X    | Washer                                  |
| 15         | 319736     | X    | X    | X    | X    | X    | X    | X    | Clip                                    |
| 16         | 353123     | X    |      |      |      |      |      |      | Retaining plate                         |
| 17         | 353122     | X    |      |      |      |      |      |      | Spring                                  |
| 18         | 354229-451 | X    | X    | X    | X    | X    | X    | X    | Position plate screw (2)                |
| 19         | 354227-451 | X    | X    | X    | X    | X    | X    | X    | Position plate screw                    |
| 20         | 381903     | X    | X    | X    | X    | X    | X    | X    | Retaining plate (Adjustable)            |
| 21         | 44873      | X    | X    | X    | X    | X    | X    | X    | Position plate                          |
| 22         | 172336     | X    | X    | X    | X    | X    | X    | X    | Bobbin (Plastic)                        |
| 23         | 421325     | X    | X    | X    | X    | X    | X    | X    | Bobbin case cpl. (EUROPE)               |
|            | 421326     | X    | X    | X    | X    | X    | X    | X    | Bobbin case cpl. (USA and CANADA)       |
| 24         | 310884-451 | X    | X    | X    | X    | X    | X    | X    | Tension spring segment (USA and CANADA) |
|            | 310884-452 | X    | X    | X    | X    | X    | X    | X    | Tension spring segment (EUROPE)         |
| 25         | 139975     | X    | X    | X    | X    | X    | X    | X    | Tension spring segment screw            |
| 26         | 310883     | X    | X    | X    | X    | X    | X    | X    | Tension spring                          |
| 27         | 354183-451 | X    | X    | X    | X    | X    | X    | X    | Tension regulating screw                |
| 28         | 353104     | X    | X    | X    | X    | X    | X    | X    | Rotating hook                           |
| 29         | 506164     |      | X    | X    | X    | X    | X    | X    | Washer (1)                              |
| 30         | 353237     |      | X    | X    | X    | X    | X    | X    | Flanged bushing (eccentric)             |
| 31         | 446942     | X    |      |      |      |      |      |      | Flanged bushing (eccentric)             |
| 32         | 354133-451 |      | X    | X    | X    | X    | X    | X    | Position screw                          |
| 33         | 139943     | X    |      |      |      |      |      |      | Position screw                          |
| 34         | 514689-451 |      | X    | X    | X    | X    | X    | X    | Bushing set screw                       |
| 35         | 141925     | X    |      |      |      |      |      |      | Bushing set screw                       |
| 36         | 116084     |      | X    | X    | X    | X    | X    | X    | Rotating hook collar                    |
| 37         | 114312     |      | X    | X    | X    | X    | X    | X    | Collar set screw                        |
| 38         | 514721     |      | X    | X    | X    | X    | X    | X    | Bevel gear set screw (?)                |
| 39         | 103361-001 |      | X    | X    | X    | X    | X    | X    | Bevel gear cpl.                         |
| 40         | 354774-451 | X    |      |      |      |      |      |      | Belt drive pulley set screw (2)         |
| 41         | 352882     | X    |      |      |      |      |      |      | Belt drive pulley cpl.                  |

2

# 6100 series



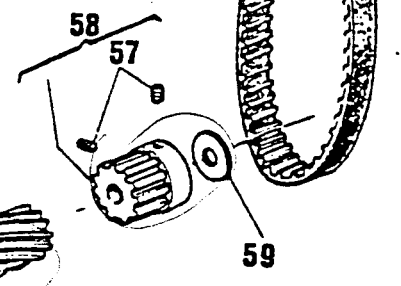
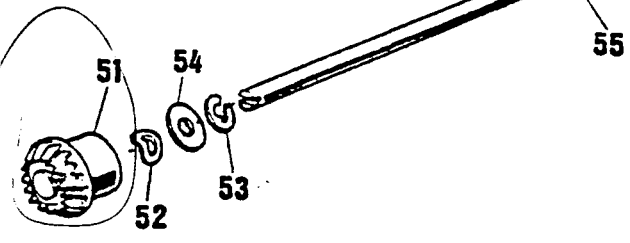
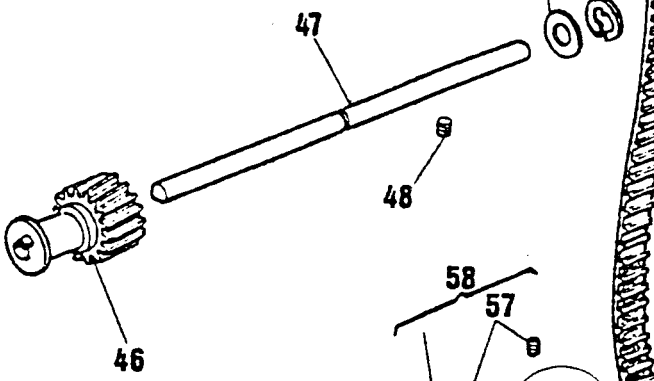
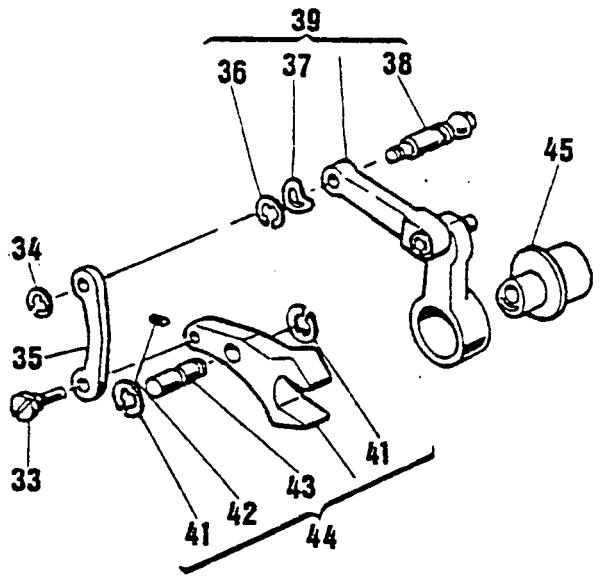
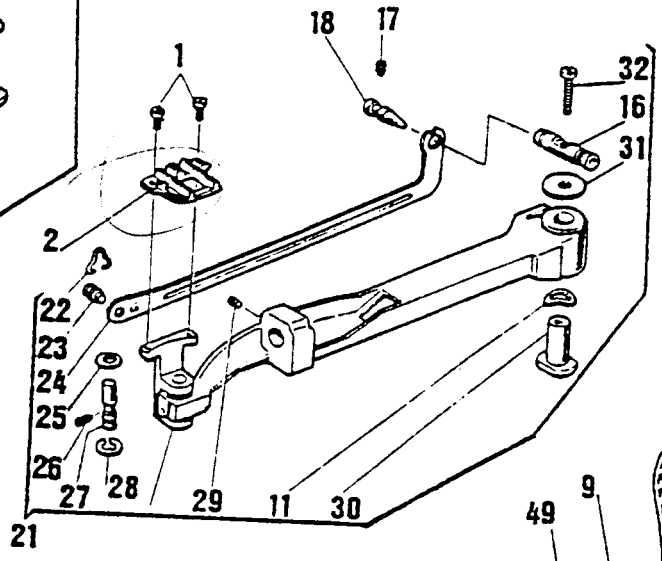
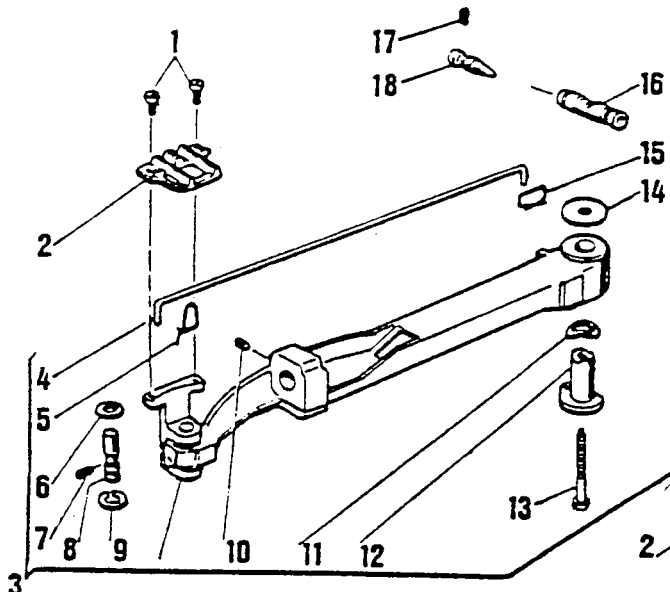
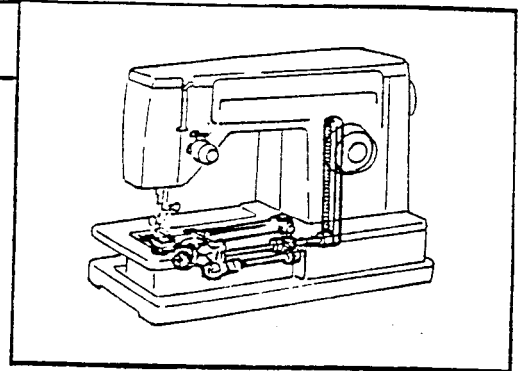
270 422403457

270 044879482

270 421739451

3

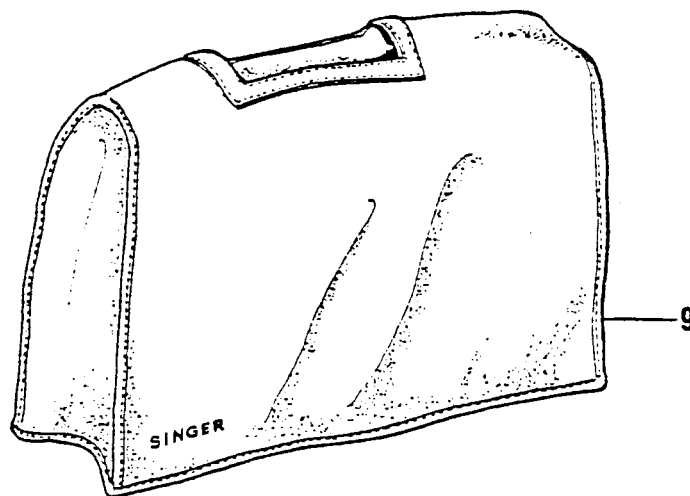
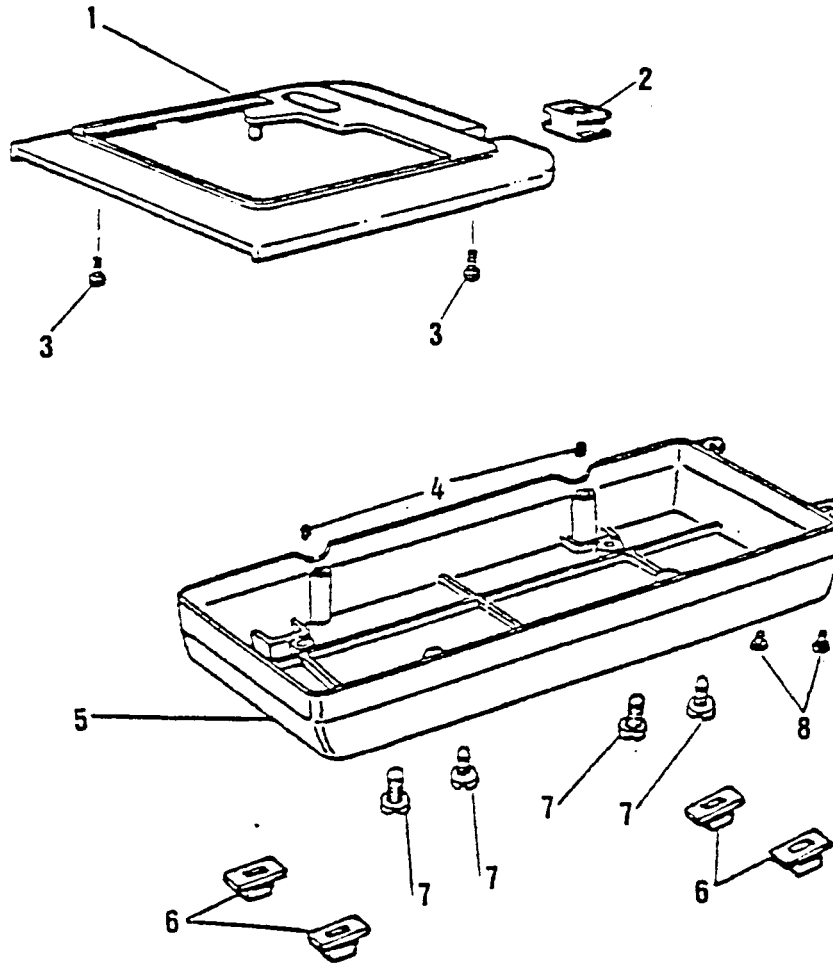
# 6100 series



## LIST OF PARTS FOR MACHINES 8100/8200 SERIES

| REF. N.              | PART. N.   | 8109     | 8209     | 8214     | 8222     | 8234     | 8134     | PART DESCRIPTION                    |
|----------------------|------------|----------|----------|----------|----------|----------|----------|-------------------------------------|
| 1                    | 507063     |          |          | X        |          |          |          | Retaining ring                      |
| 2                    | 53641      |          |          | X        |          |          |          | Nut                                 |
| 3                    | 422081     |          |          | X        |          |          |          | Disc follower disengaging lever     |
| 4                    | 44471      |          |          | X        |          |          |          | Screw stud ( eccentric )            |
| 5                    | 44419      |          |          | X        |          |          |          | Disc follower positioning spring    |
| 6                    | 37262      |          |          | X        |          |          |          | Disc follower                       |
| 7                    | 422425     |          |          | X        |          |          |          | Disc selector cam slide             |
| 8                    | 422426     |          |          | X        |          |          |          | Disc follower stud                  |
| 9                    | 37276      |          |          | X        |          |          |          | Disc follower washer                |
| 10                   | 44371      |          |          | X        |          |          |          | Retaining ring                      |
| 11                   | 422427     |          |          | X        |          |          |          | Pattern selector lever cpl.         |
| 12                   | 141786     |          |          | X        |          |          |          | Hinge screw                         |
| 13                   | 49204      |          |          | X        |          |          |          | Friction washer                     |
| 14                   | 421859     |          |          | X        |          |          |          | Disc selector lever                 |
| 15                   | 37244      |          |          | X        |          |          |          | Control lever knob spring clip      |
| 16                   | 421883-451 |          |          | X        |          |          |          | Control lever knob (2) cpl.         |
| 17                   | 53641      |          |          | X        |          |          |          | Eccentric screw stud nut            |
| 18                   | 319798     |          |          | X        |          |          |          | Slide bracket.                      |
| 19                   | 44471      |          |          | X        |          |          |          | Eccentric screw stud                |
| 20                   | 422075     |          |          | X        |          |          |          | Needle position selector lever cpl. |
| 21                   | 141913     |          |          | X        |          |          |          | Screw                               |
| 22                   | 422428     |          |          | X        |          |          |          | Needle position lever               |
| 23                   | 422431     |          |          | X        |          |          |          | Needle position selector lever cpl. |
| 24                   | 422498-452 |          |          |          |          | X        |          | Disc selector dial                  |
| 25                   | 352461     |          |          |          |          |          | X        | Needle plate                        |
| 26                   | 44838      |          |          |          |          |          | X        | Bed slide                           |
| 27                   | 354799     |          |          |          |          |          | X        | Bed slide spring screw              |
| 28                   | 37239      |          |          |          |          |          | X        | Bed slide spring                    |
| 29                   | 353123     |          |          |          |          |          | X        | Retaining plate                     |
| 30                   | 319737-451 |          |          |          |          |          | X        | Washer                              |
| 31                   | 353122     |          |          |          |          |          | X        | Spring                              |
| 32                   | 319736     |          |          |          |          |          | X        | Clip                                |
| 33                   | 37942      |          |          | X        |          |          |          | Spring                              |
| 34                   | 139938     |          |          | X        |          |          |          | Screw                               |
| 35                   | 354084     |          |          | X        |          |          |          | Screw                               |
| Variety of :         |            | 1/4 6174 | 1/4 6184 | 1/2 6105 | 1/2 6120 | 1/2 7146 | 1/2 7186 |                                     |
| For parts not listed |            | 1/4      | 1/4      | 1/2      | 1/2      | 1/2      | 1/2      |                                     |

# 8100/8200 series



LIST OF PARTS FOR MACHINES 8100/8200 SERIES

| REF. N.              | PART. N.   | 8109 | 8209 | 8214 | 8222 | 8234 | 8134 | PART DESCRIPTION                   |
|----------------------|------------|------|------|------|------|------|------|------------------------------------|
| 1                    | 422472-452 |      |      |      |      |      | X    | Bed cover                          |
| 2                    | 352584-451 |      |      |      |      |      | X    | Grommet                            |
| 3                    | 139986     |      |      |      |      |      | X    | Bed cover screw (4)                |
| 4                    | 141925     |      |      |      |      |      | X    | Machine hinge connection set screw |
| 5                    | 422479-452 |      |      |      |      |      | X    | Bed cover ( bottom)                |
| 6                    | 352569     |      |      |      |      |      | X    | Bed leg cushion ( 4 )              |
| 7                    | 422483     |      |      |      |      |      | X    | Screw ( 4 )                        |
| 8                    | 139986     |      |      |      |      |      | X    | Screw ( 2 )                        |
| 9                    | 422249-452 | X    | X    | X    | X    | X    | X    | Soft cover                         |
| Variety of :         |            | 6174 | 6184 | 6105 | 6120 | 7146 | 7186 |                                    |
| For parts not listed |            | 0    | 0    | 0    | 0    | 0    | 0    |                                    |

# 8100/8200 series

1

9-10-12-13  
14-15-16-17  
18-19-22a

2

9-10-12-13  
15-16-17-18  
19-21-22a

3

9-10-11-13  
15-16-17-18  
19-20-21-22b

4

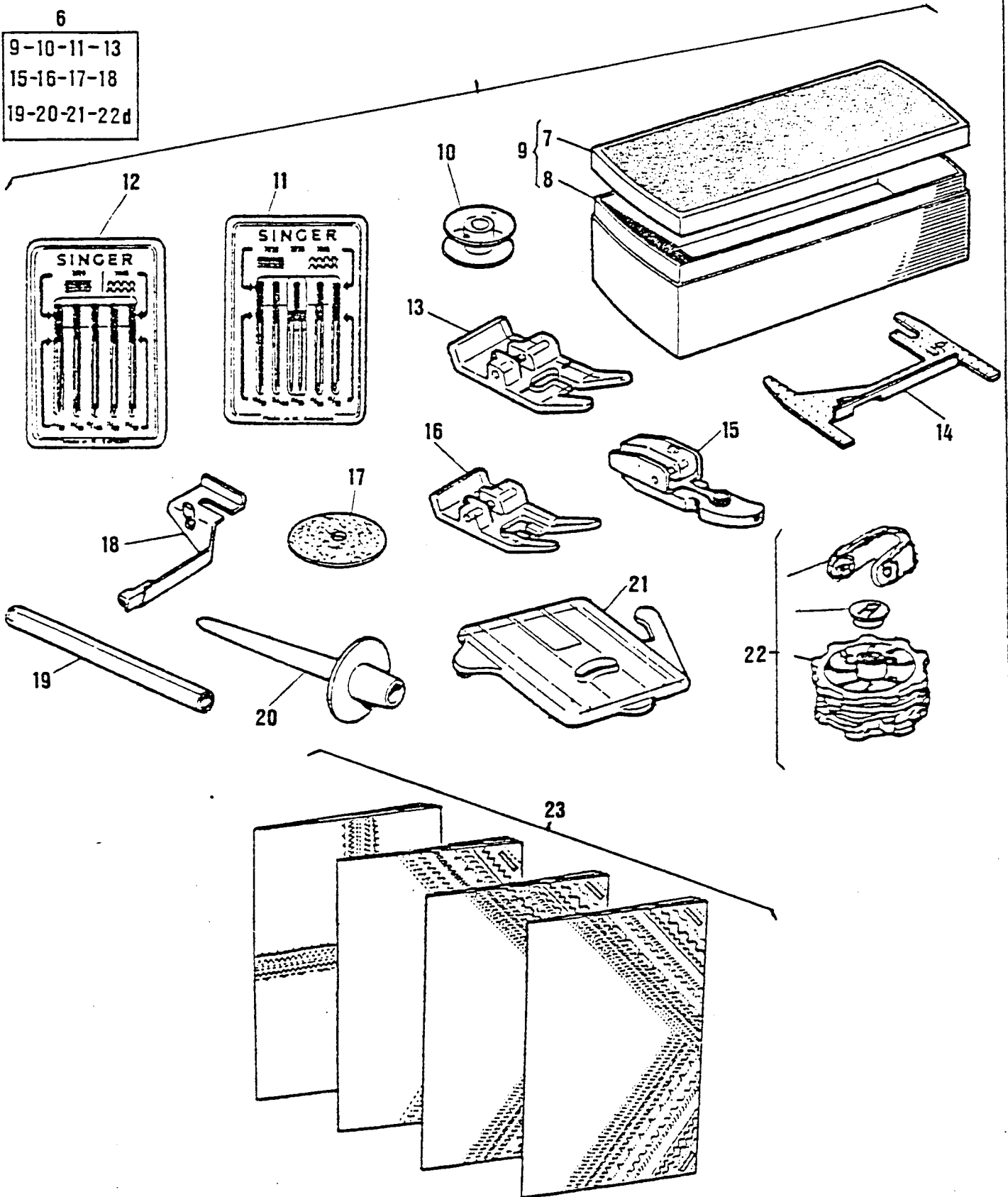
9-10-11-13  
15-16-17-18  
19-20-21-22c

5

9-10-11-13  
14-15-16-17  
18-19-20-22c

6

9-10-11-13  
15-16-17-18  
19-20-21-22d





## LIST OF PARTS FOR MACHINES 8100/8200 SERIES

| REF.<br>N.   | PART.<br>N. | 8109 | 8209 | 8214 | 8222 | 8234 | 8134 | PART DESCRIPTION  |
|--|-------------|------|------|------|------|------|------|---|
| 1  | 422026-931  | X    |      |      |      |      |      | Attachment set cpl.   |
| 2  | 422026-932  |      | X    |      |      |      |      | Attachment set cpl.   |
| 3  | 422026-933  |      |      |      | X    |      |      | Attachment set cpl.   |
| 4  | 422026-934  |      |      |      |      | X    |      | Attachment set cpl.   |
| 5  | 422026-935  |      |      |      |      |      | X    | Attachment set cpl.   |
| 6  | 422026-936  |      |      | X    |      |      |      | Attachment set cpl.   |
| 7  | 421743      | X    | X    | X    | X    | X    | X    | Attachment box cover  |
| 8  | 421744      | X    | X    | X    | X    | X    | X    | Attachment box base   |
| 9  | 421742-451  | X    | X    | X    | X    | X    | X    | Attachment box  |
| 10   | 172336      | X    | X    | X    | X    | X    | X    | Bobbin transparent plastic (2)  |
| 11   | 381275      |      |      | X    | X    | X    | X    | Needle pack (plastic) containing :<br>cat. 2020 : size 14 and 16<br>cat. 2025 : size 14 (Twin needle)<br>cat. 2045 : size 11 and 14 |
| 12   | 103489      | X    | X    |      |      |      |      | Needle pack (plastic) containing :<br>cat. 2020 : size 11-14-16<br>cat. 2025 : size 11 and 14                                       |
| 13   | 161927      | X    | X    | X    | X    | X    | X    | Snap-on buttonhole foot   |
| 14   | 161894      | X    |      |      |      |      | X    | Needle plate raising plate (shim)   |
| 15   | 507836      | X    | X    | X    | X    | X    | X    | Snap-on zipper foot   |
| 16   | 171498      | X    | X    | X    | X    | X    | X    | Snap-on special purpose foot  |
| 17   | 8879-454    |      |      | X    | X    | X    | X    | Spool pin felt ( 2 )  |
|  | 8879-454    | X    | X    |      |      |      |      | Spool pin felt ( 1 )  |
| 18   | 381213      | X    | X    | X    | X    | X    | X    | Blind stitch guide  |
| 19   | 381800      |      |      | X    | X    | X    | X    | Spool pin adaptor ( 2 )   |
|  | 381800      | X    | X    |      |      |      |      | Spool pin adaptor ( 1 )   |
| 20   | 422250      |      |      | X    | X    | X    | X    | Spool pin adaptor ( for twin needle sewing )  |
| 21   | 381459      |      | X    | X    | X    | X    |      | Snap-in feed cover plate  |
| 22a  | 447543-000  | X    | X    |      |      |      |      | Disc stack " A4 " Ass'y   |
| 22b  | 447539-000  |      |      |      | X    |      |      | Disc stack " A5 " Ass'y   |
| 22c  | 447534-000  |      |      |      |      | X    | X    | Disc stack " A8 " Ass'y   |
| 22d  | 447539-001  |      |      | X    |      |      |      | Disc stack " A5 " Ass'y   |
| 23   |             |      |      |      |      |      |      | Instruction books ( see table below )   |
| Variety of :                                       |             | 6174 | 6184 | 6105 | 6120 | 7146 | 7186 |   |
| For parts not listed above refer to part of list : |             | 6174 | 6184 | 6120 | 6120 | 6120 | 6120 |   |

### 23 ) INSTRUCTION BOOKS : Languages - Form N.

| Model     | Italian | English | German | French | Dutch | Danish | Finnish | Swedish | Spanish |
|-----------|---------|---------|--------|--------|-------|--------|---------|---------|---------|
| 8109/8209 | 2001    | 2001    | 2001   | 2003   | 2004  | 2002   | 2002    | 2002    | 2005    |
| 8214      | 2010    | 2011    | 2012   | 2013   | 2014  | 2015   | 2016    | 2017    |         |
| 8222      | 2028    | 2021    | 2022   | 2023   | 2024  | 2025   | 2026    | 2027    |         |
| 8134/8234 | 2031    | 2031    | 2031   | 2033   | 2034  | 2032   | 2032    | 2032    | 2035    |

# MARKETING TERRITORIES (Territory Code)

## A (105/115V - 220/240V.)

Aden  
 Algeria  
 Angola  
 Bahrain  
 Bangladesh  
 Benin (Dahomey)  
 Burma  
 Burundi  
 Cambodia  
 Camerouns  
 Cent. Africa Empire  
 Chad  
 Congo (Brazzaville)  
 Egyptian Arab Republic  
 Ethiopia  
 Fiji Islands  
 Gabon  
 Gambia  
 Ghana  
 Guam  
 Guinea  
 Guyana  
 High Volta  
 Hong Kong  
 India  
 Indonesia  
 Iran  
 Iraq  
 Ivory Coast  
 Jordan  
 Kenya  
 Kuwait  
 Laos  
 La Reunion  
 Lebanon  
 Liberia  
 Libya  
 Malagasy Rep.  
 Malawi  
 Malaysia  
 Mali  
 Mauritania  
 Mauritius  
 Morocco  
 Mozambique  
 Niger Repub.  
 Nigeria  
 North Yemen  
 Pakistan  
 Rhodesia  
 Saudi Arabia  
 Senegal  
 Sierra Leone  
 Singapore  
 South Korea  
 South Yemen  
 Sri Lanka  
 Sudan  
 Syria  
 Taiwan  
 Tangiers  
 Tanzania  
 Thailand

Togo  
 Tunisia  
 Uganda  
 Upper Volta  
 Vietnam  
 Zaire (Kinshasa)  
 Zambia

## B (220V)

South Africa

## C (220 or 240V)

New Zealand

## D (240V)

Great Britain  
 (England, Scotland,  
 Wales).  
 Malta

## E (220V)

Netherlands

## F (220V)

Austria  
 Belgium  
 Denmark  
 Finland  
 Greece  
 Italy  
 Switzerland  
 W. Germany

## G (120V)

United States

## H (120V + 220V)

Argentina  
 Bahamas  
 Barbados  
 Bermuda  
 Bolivia  
 Brazil  
 British Honduras  
 Canal Zone  
 Chile  
 Colombia  
 Costa Rica  
 Ecuador  
 El Salvador  
 French West Indies  
 Guatemala  
 Honduras Republic  
 Jamaica  
 Mexico  
 Neth. Antilles

Nicaragua  
 Panama  
 Paraguay  
 Peru  
 Philippines  
 Puerto Rico  
 Surinam  
 Trinidad & Tobago  
 Venezuela  
 Virgin Islands  
 West Indies  
 (Antigua, Dominica,  
 Grenada, Montserrat,  
 St. Christopher, Nevis  
 Anguilla, St. Lucia,  
 St. Vincent, St. Kitts).

## J 127/220V)

Belgium Bi-Volt  
 W. Germany Bi-Volt

## K (240V)

Australia

## L (220V)

Norway

## M (105V)

Japan

## N 127/220V)

France Bi-Volt  
 Non mandatory  
 countries Bi-Volt.

## O Canada (120V)

## P (220V)

Albania  
 France  
 Gibraltar  
 Iceland  
 Israel  
 Jugoslavia  
 Luxembourg  
 Monaco  
 Portugal  
 Spain  
 Turkey

## Q (240V)

Cyprus

## R (220V)

Sweden

## S (220V)

Eire

**SINGER**<sup>®</sup>  
SINGER FACTORY      -MONZA-

## List of Parts

### Sewing Machines Series

**6100**

# contents

| MECHANISM<br>GROUP NO. |   | PAGE     |
|------------------------|---|----------|
| 1                      | TOP, BACK and SIDES COVERS .....                      | 4        |
|                        | FRONT COVER .....                                     | 6, 8, 10 |
|                        | MACHINE BASE and CLOTH PLATE .....                    | 12       |
| 2                      | NEEDLE BAR and DRIVE MECHANISM .....                  | 14       |
|                        | NEEDLE HOOK and PLATES .....                          | 16       |
|                        | PRESSURE BAR and TENSION .....                        | 18       |
| 3                      | FEED and HOOK DRIVE MECHANISM (Tubular Bed) .....     | 20       |
|                        | FEED and HOOK DRIVE MECHANISM (Flat Bed) .....        | 22       |
| 4                      | STITCH LENGTH and REVERSE MECHANISM .....             | 24       |
|                        | BUTTONHOLER, FEED REGULATOR and CAM CONTROL .....     |          |
|                        | FEED ENGAGING MECHANISM .....                         | 26       |
|                        | CAM CONTROL FEED and STITCH BALANCING MECHANISM ..... | 28       |
| 5                      | BIGHT AMPLITUDE and NEEDLE POSITION SELECTORS .....   | 30       |
|                        | CAM STACK and PATTERN SELECTOR .....                  | 32       |
| 6                      | ATTACHMENTS .....                                     | 34       |
|                        | MACHINE CARRYING CASE and BOTTOM COVER .....          | 36       |
| 7                      | ELECTRICS .....                                       | 38       |

## IMPORTANT:

The designations listed below must be applied throughout this manual as follow:

61•6 for 6106-6116-6126-6136-6146-6156 models

61•5 for 6105-6115-6125 models

61•4 for 6104-6114-6124 models

61•2 for 6102-6112-6122-6152 models

61•0 for 6110-6120-6130 models

**SINGER**

**Stabilimento Macchine per Cucire**

**Viale Sicilia, 75**

**20052 MONZA (Italy)**

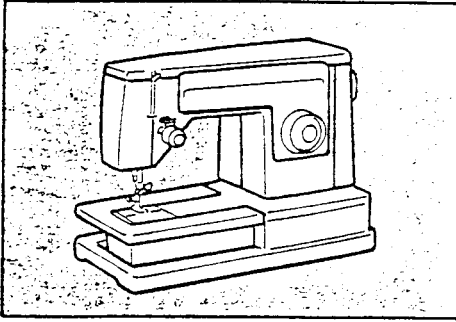
**Phone: (039) 839001-9**

**Telex: Pyecom 333301**

# contents

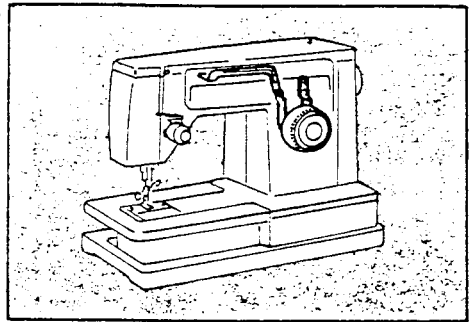
Group

**1**

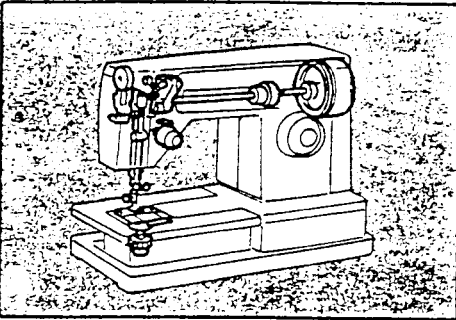


Group

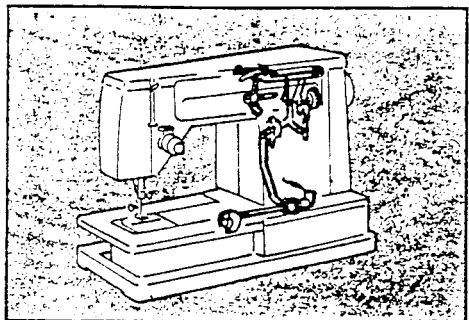
**4**



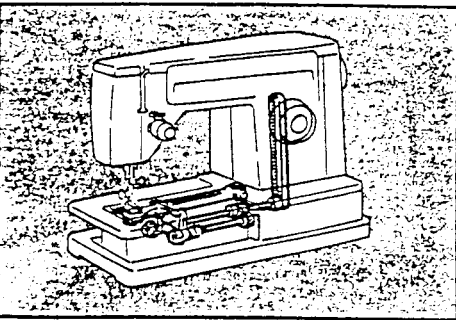
**2**



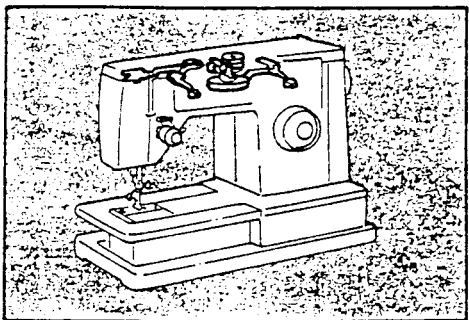
**4**



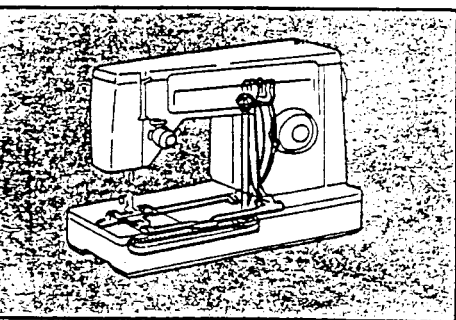
**3**



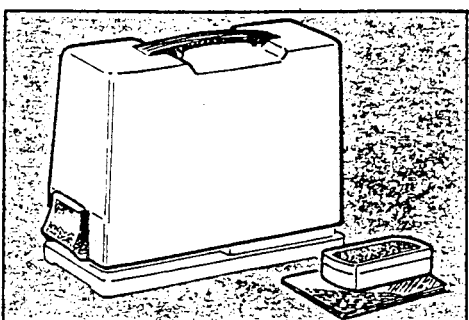
**5**



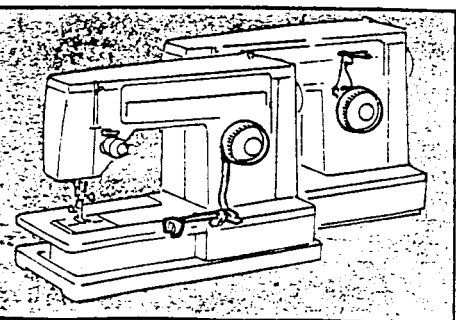
**3**



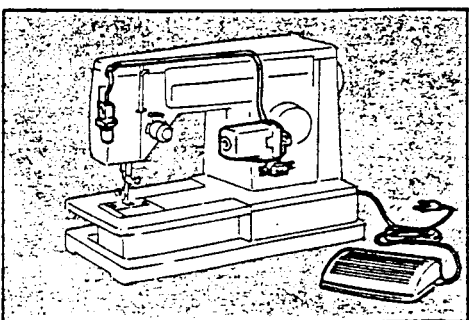
**6**



**4**

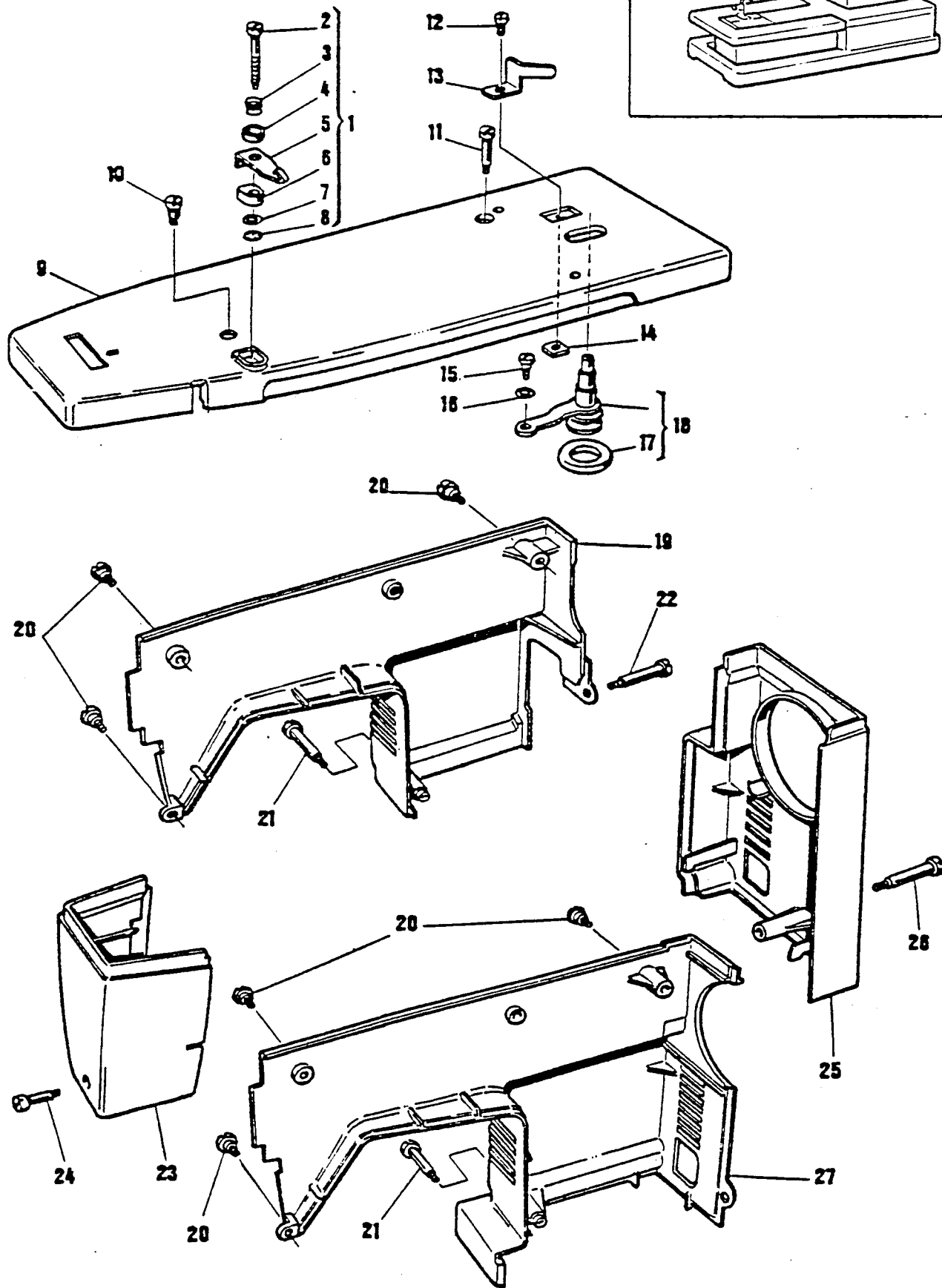
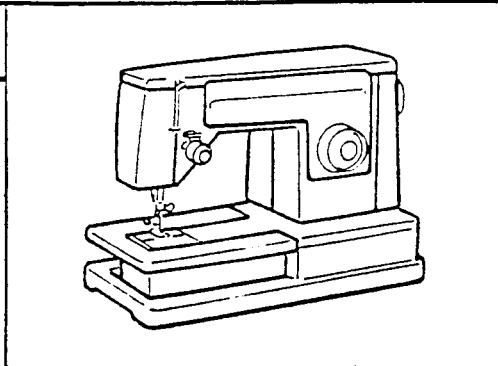


**7**



1

# 6100 series

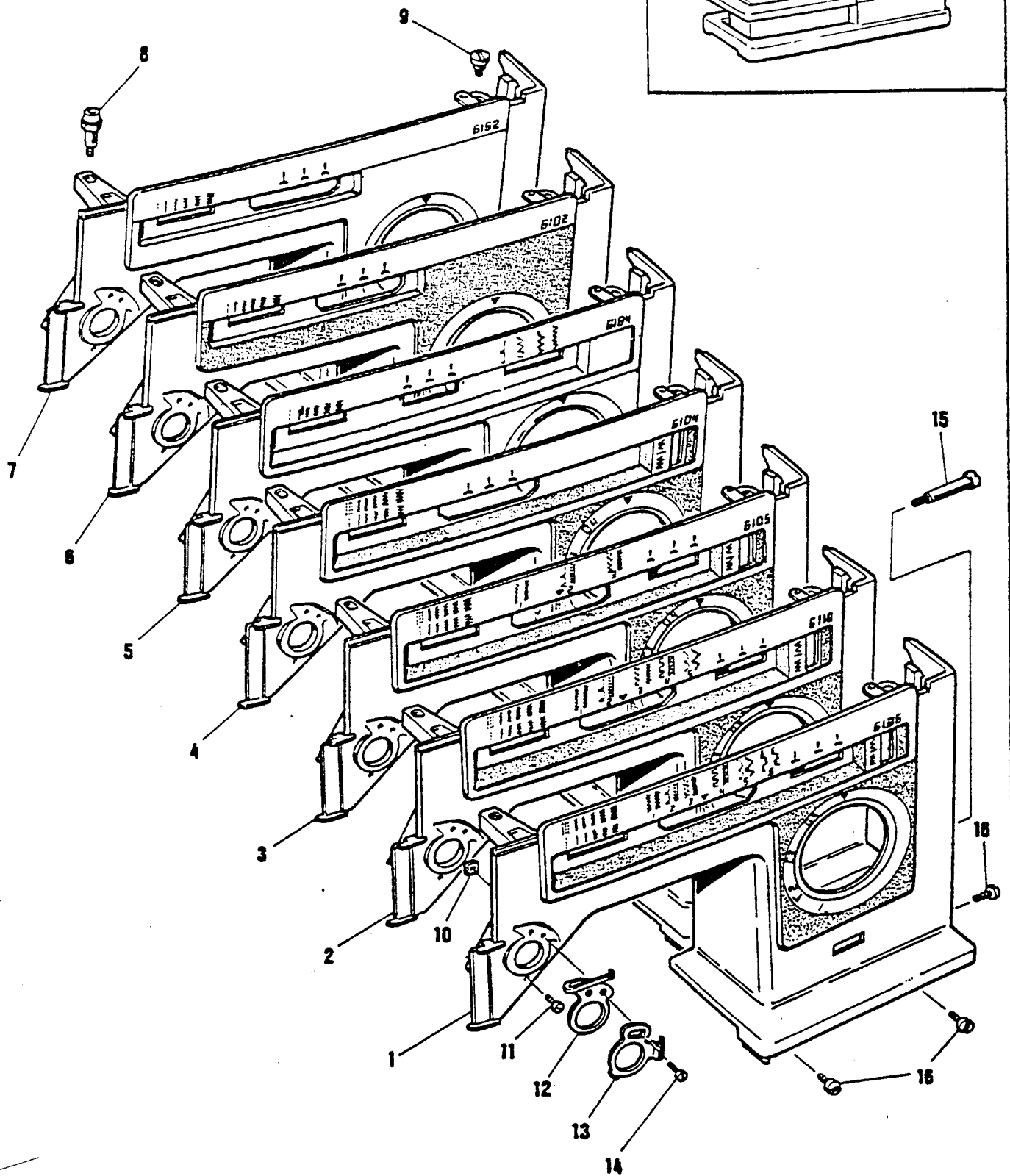
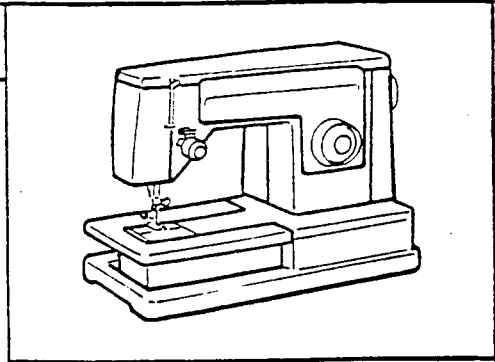


LIST OF PARTS FOR MACHINES 6100 SERIES

| REF. N. | PART. N.   | 6174 | 6184 | 6100 | 6106 | 6105 | 6104 | 6102 | PART DESCRIPTION                  |
|---------|------------|------|------|------|------|------|------|------|-----------------------------------|
| 1       | 422069-451 | X    | X    | X    | X    | X    | X    | X    | Bobbin winder tension cpl.        |
| 2       | 44751      | X    | X    | X    | X    | X    | X    | X    | Bobbin winder tension stud        |
| 3       | 45847      | X    | X    | X    | X    | X    | X    | X    | Tension disc spring               |
| 4       | 45915      | X    | X    | X    | X    | X    | X    | X    | Tension disc                      |
| 5       | 319717     | X    | X    | X    | X    | X    | X    | X    | Tension bracket and thread guide  |
| 6       | 44770-459  | X    | X    | X    | X    | X    | X    | X    | Tension bracket spacer            |
| 7       | 352737     | X    | X    | X    | X    | X    | X    | X    | Tension stud washer               |
| 8       | 44447      | X    | X    | X    | X    | X    | X    | X    | Tension stud retaining ring       |
| 9       | 421664-451 | X    | X    | X    | X    | X    | X    | X    | Arm top cover (with insert)       |
| 10      | 421720     | X    | X    | X    | X    | X    | X    | X    | Arm top cover screw (left)        |
| 11      | 141788     | X    | X    | X    | X    | X    | X    | X    | Arm top cover screw (right)       |
| 12      | 141808     | X    | X    | X    | X    | X    | X    | X    | Bobbin winder stop screw          |
| 13      | 44365      | X    | X    | X    | X    | X    | X    | X    | Bobbin winder stop                |
| 14      | 53640      | X    | X    | X    | X    | X    | X    | X    | Bobbin winder stop screw nut      |
| 15      | 422025-451 | X    | X    | X    | X    | X    | X    | X    | Hinge screw                       |
| 16      | 352026     | X    | X    | X    | X    | X    | X    | X    | Hinge screw washer                |
| 17      | 15287-701  | X    | X    | X    | X    | X    | X    | X    | Friction ring                     |
| 18      | 421960     | X    | X    | X    | X    | X    | X    | X    | Bobbin winder cpl.                |
| 19      | 421652-451 | X    |      |      |      |      |      |      | Arm cover (back)                  |
| 20      | 139910     | X    | X    | X    | X    | X    | X    | X    | Arm cover (back) screw (3)        |
| 21      | 354252-451 | X    | X    | X    | X    | X    | X    | X    | Arm cover (back) screw            |
| 22      | 354659-451 | X    |      |      |      |      |      |      | Arm cover (back and front) screw  |
| 23      | 421653-451 | X    | X    | X    | X    | X    | X    | X    | Face plate                        |
| 24      | 514727-451 | X    | X    | X    | X    | X    | X    | X    | Face plate screw                  |
| 25      | 421654-451 | X    |      |      |      |      |      |      | Arm cover (hand wheel side)       |
| 26      | 354655-451 | X    |      |      |      |      |      |      | Arm cover (hand Wheel side) screw |
| 27      | 422439-451 |      | X    | X    | X    | X    | X    | X    | Arm cover (back)                  |

1

# 6100 series





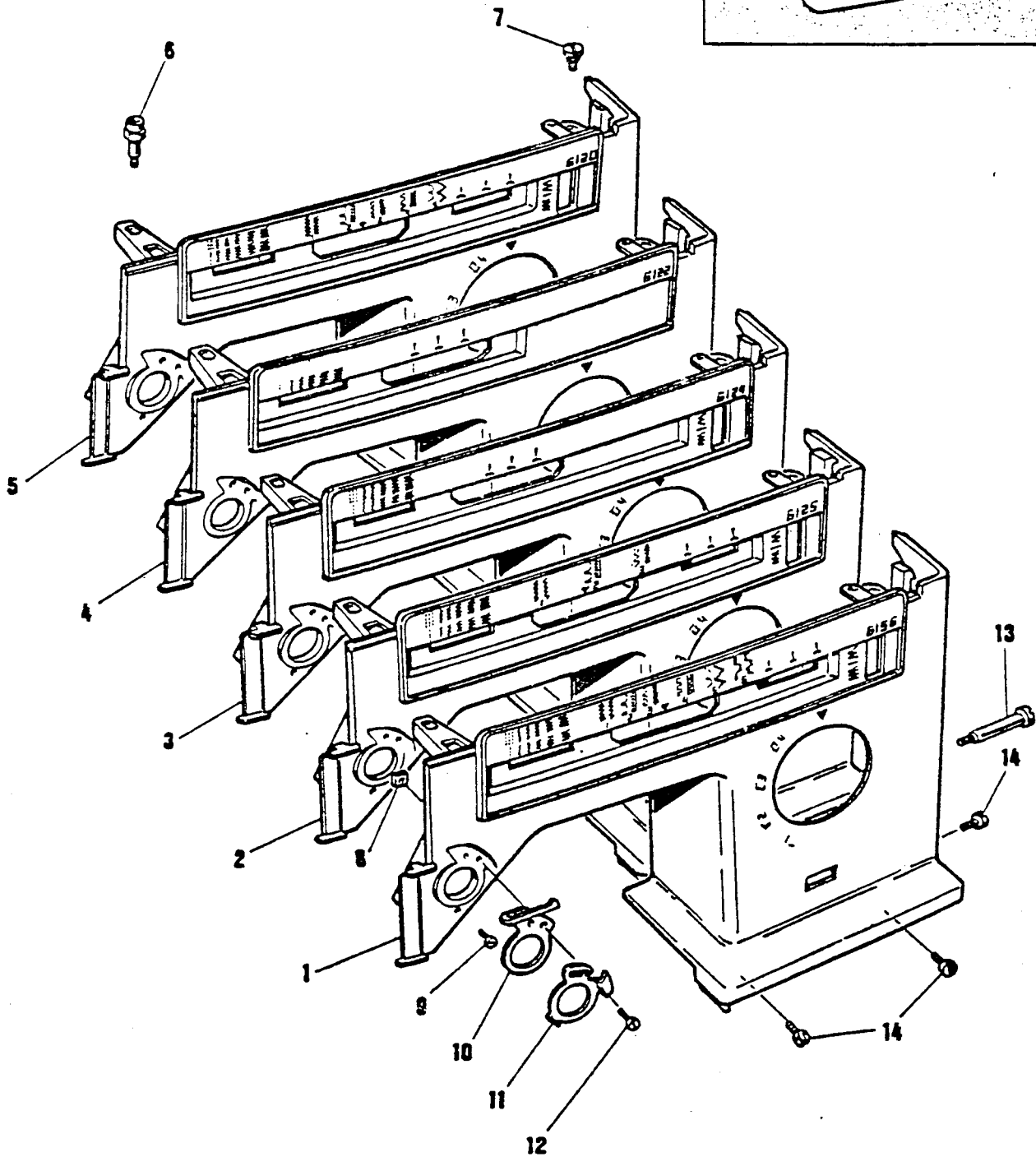
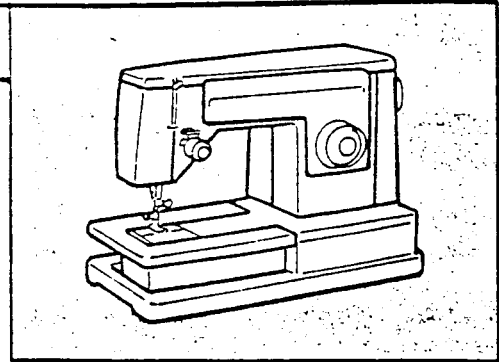
## LIST OF PARTS FOR MACHINES 6100 SERIES

| REF. N. | PART. N.    | 6136 | 6106 | 6110 | 6105 | 6184 | 6104 | 6102 | 6152 | PART DESCRIPTION                           |
|---------|-------------|------|------|------|------|------|------|------|------|--|
| 1       | 422444 ●●●  | X    | X    |      |      |      |      |      |      | Arm front cover cpl.                       |
|         | 422445 ●●●  | X    |      |      |      |      |      |      |      | Arm front cover cpl.                       |
|         | 422466 ●●●  | X    |      |      |      |      |      |      |      | Arm front cover cpl. (USA only)            |
| 2       | 422465 ●●●  |      |      | X    |      |      |      |      |      | Arm front cover cpl.                       |
|         | 422465-452  |      |      | X    |      |      |      |      |      | Arm front cover cpl. (for model 6130 only) |
| 3       | 422443 ●●●  |      |      |      | X    |      |      |      |      | Arm front cover cpl.                       |
| 4       | 422442 ●●●  |      |      |      |      |      | X    |      |      | Arm front cover cpl.                       |
| 5       | 422092 -451 |      |      |      |      | X    |      |      |      | Arm front cover cpl.                       |
| 6       | 422446 ●●●  |      |      |      |      |      |      | X    |      | Arm front cover cpl.                       |
| 7       | 422456-458  |      |      |      |      |      |      |      | X    | Arm front cover cpl.                       |
| 8       | 421719-451  | X    | X    | X    | X    | X    | X    | X    | X    | Arm front cover screw (upper, left)        |
| 9       | 421720      | X    | X    | X    | X    | X    | X    | X    | X    | Arm front cover screw (upper, right)       |
| 10      | 53640       | X    | X    | X    | X    | X    | X    | X    | X    | Nut  |
| 11      | 141808      | X    | X    | X    | X    | X    | X    | X    | X    | Arm front cover screw (lower, left)        |
| 12      | 446958      | X    | X    | X    | X    | X    | X    | X    | X    | Thread guide (upper)                       |
| 13      | 44392       | X    | X    | X    | X    | X    | X    | X    | X    | Tension thread guide                       |
| 14      | 141808      | X    | X    | X    | X    | X    | X    | X    | X    | Screw                                      |
| 15      | 422463-451  | X    | X    | X    | X    | X    | X    | X    | X    | Arm cover (hand wheel side) screw          |
| 16      | 139910      | X    | X    | X    | X    | X    | X    | X    | X    | Bed cover screw (3)                        |

●●● Suffix 451 for M003 variety  
 Suffix 452 for M013 variety  
 Suffix 453 for M023 variety  
 Suffix 454 for M033 variety  
 Suffix 455 for M043 variety

1

# 6100 series



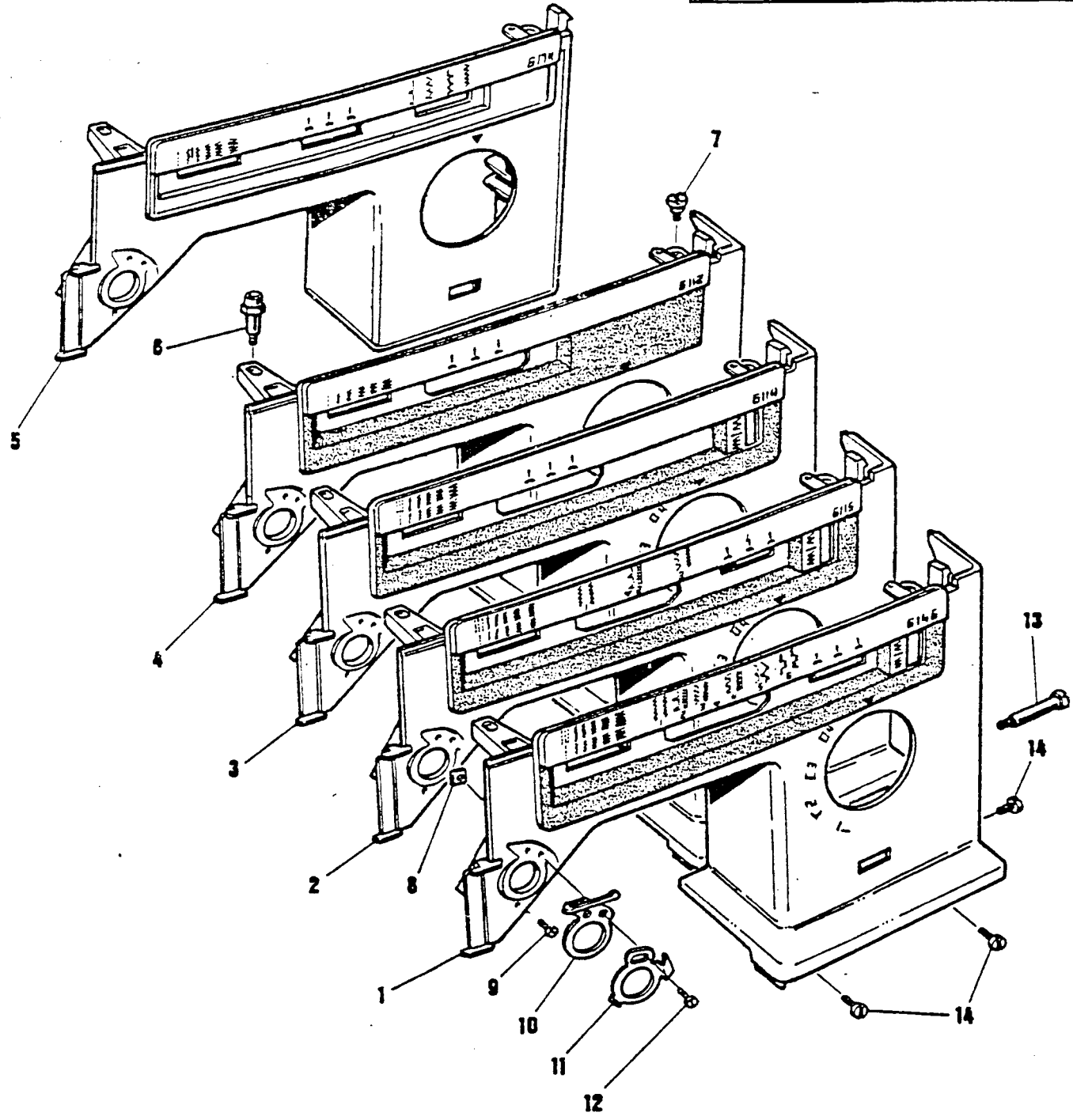
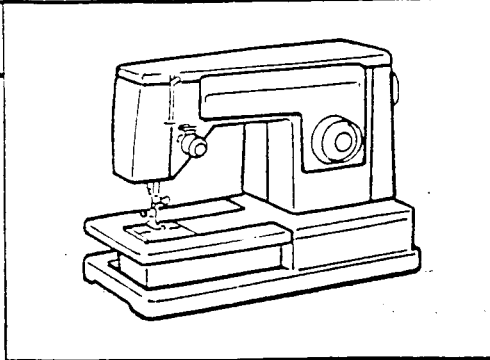
LIST OF PARTS FOR MACHINES 6100 SERIES

| REF. N. | PART. N.   | 6126 | 6156 | 6125 | 6124 | 6122 | 6120 | PART DESCRIPTION                     |
|---------|------------|------|------|------|------|------|------|--------------------------------------|
| 1       | 422455 ●●● |      | X    |      |      |      |      | Arm front cover cpl.                 |
|         | 422454 ●●● | X    |      |      |      |      |      | Arm front cover cpl.                 |
| 2       | 422453 ●●● |      |      | X    |      |      |      | Arm front cover cpl.                 |
| 3       | 422452 ●●● |      |      |      | X    |      |      | Arm front cover cpl.                 |
| 4       | 422456 ●●● |      |      |      |      | X    |      | Arm front cover cpl.                 |
| 5       | 422263-451 |      |      |      |      |      | X    | Arm front cover cpl.                 |
| 6       | 421719-451 | X    | X    | X    | X    | X    | X    | Arm front cover screw (upper, left)  |
| 7       | 421720     | X    | X    | X    | X    | X    | X    | Arm front cover screw (upper, right) |
| 8       | 53640      | X    | X    | X    | X    | X    | X    | Nut                                  |
| 9       | 141808     | X    | X    | X    | X    | X    | X    | Arm front cover screw (lower, left)  |
| 10      | 446958     | X    | X    | X    | X    | X    | X    | Thread guide (upper)                 |
| 11      | 44392      | X    | X    | X    | X    | X    | X    | Tension thread guide                 |
| 12      | 141808     | X    | X    | X    | X    | X    | X    | Screw                                |
| 13      | 422463-451 | X    | X    | X    | X    | X    | X    | Arm cover (hand wheel side) screw    |
| 14      | 139910     | X    | X    | X    | X    | X    | X    | Bed cover screw (3)                  |

●●● Suffix 451 for M003 variety  
 Suffix 452 for M013 variety  
 Suffix 453 for M023 variety  
 Suffix 454 for M033 variety  
 Suffix 455 for M043 variety  
 Suffix 456 for M053 variety

1

# 6100 series



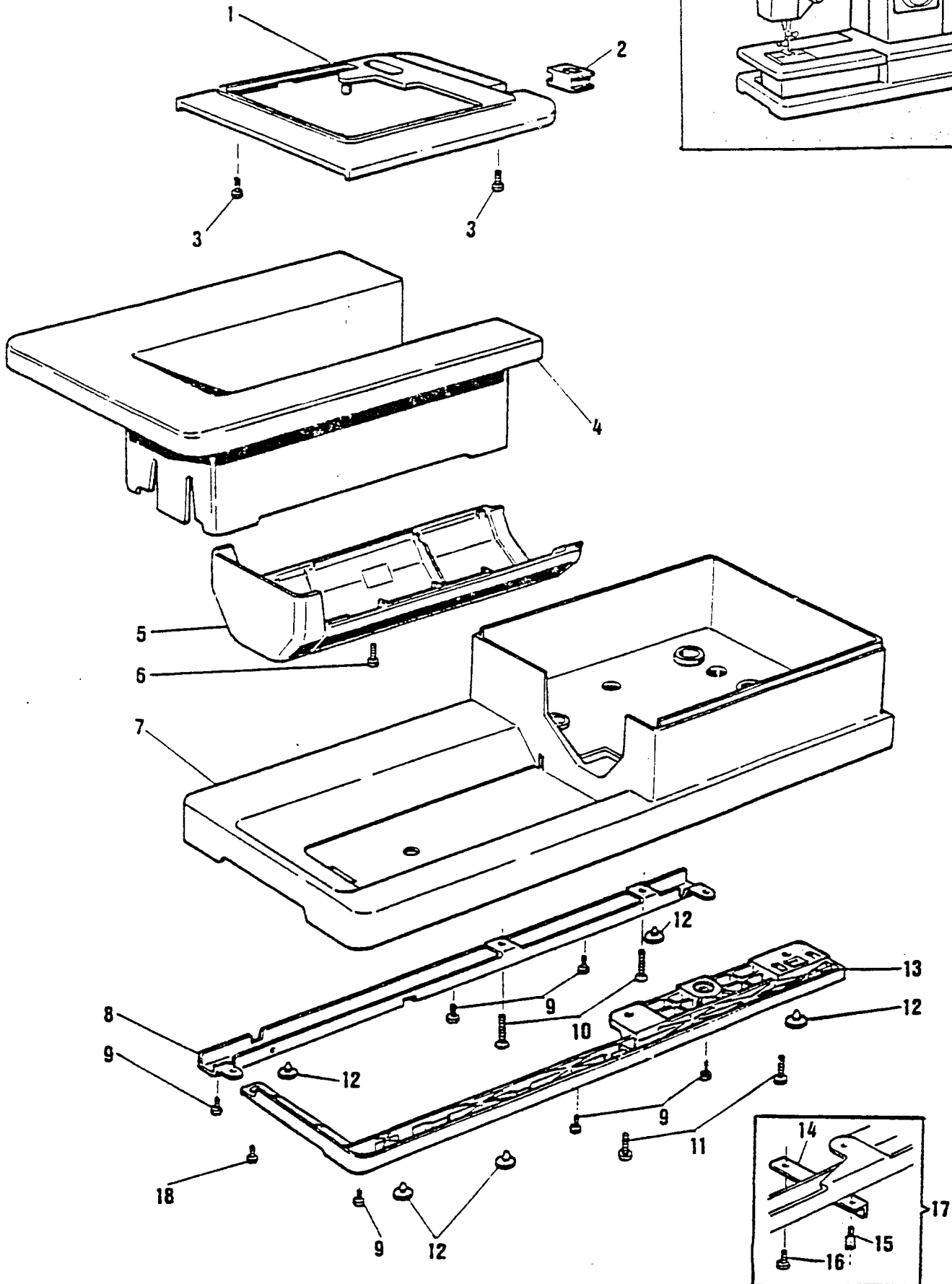
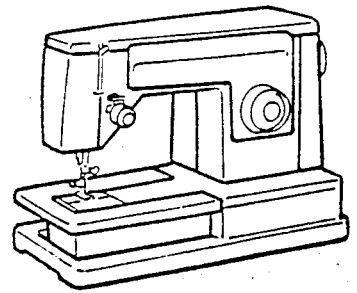
LIST OF PARTS FOR MACHINES 6100 SERIES

| REF. N. | PART. N.   | 6174 | 6146 | 6115 | 6114 | 6112 |  |  |  | PART DESCRIPTION                     |
|---------|------------|------|------|------|------|------|--|--|--|--------------------------------------|
| 1       | 422450 ●●● |      | X    |      |      |      |  |  |  | Arm front cover cpl.                 |
|         | 422449 ●●● |      | X    |      |      |      |  |  |  | Arm front cover cpl. (USA only)      |
| 2       | 422448 ●●● |      |      | X    |      |      |  |  |  | Arm front cover cpl.                 |
| 3       | 422447 ●●● |      |      |      | X    |      |  |  |  | Arm front cover cpl.                 |
| 4       | 422451 ●●● |      |      |      |      | X    |  |  |  | Arm front cover cpl.                 |
| 5       | 422259-451 | X    |      |      |      |      |  |  |  | Arm front cover cpl.                 |
| 6       | 421719-451 | X    | X    | X    | X    | X    |  |  |  | Arm front cover screw (upper, left)  |
| 7       | 421720     | X    | X    | X    | X    | X    |  |  |  | Arm front cover screw (upper, right) |
| 8       | 53640      | X    | X    | X    | X    | X    |  |  |  | Nut                                  |
| 9       | 141808     | X    | X    | X    | X    | X    |  |  |  | Arm front cover screw (lower, left)  |
| 10      | 446958     | X    | X    | X    | X    | X    |  |  |  | Thread guide (upper)                 |
| 11      | 44392      | X    | X    | X    | X    | X    |  |  |  | Tension thread guide                 |
| 12      | 141808     | X    | X    | X    | X    | X    |  |  |  | Screw                                |
| 13      | 422463-451 |      | X    | X    | X    | X    |  |  |  | Arm cover (hand wheel side) screw    |
| 14      | 139910     |      | X    | X    | X    | X    |  |  |  | Bed cover screw (3)                  |

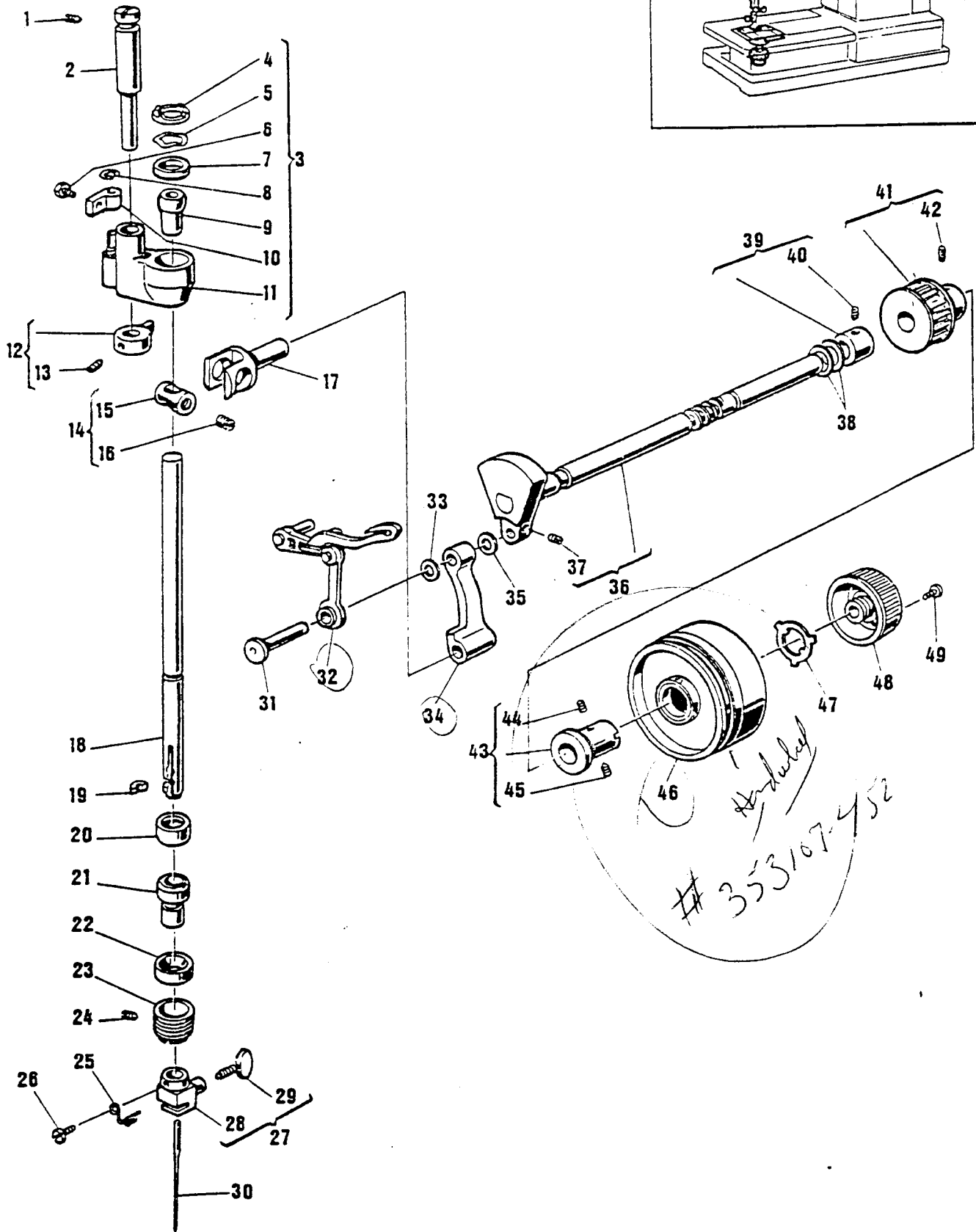
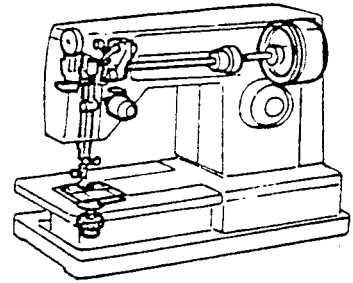
●●● Suffix 451 for M003 variety  
 Suffix 452 for M013 variety  
 Suffix 453 for M023 variety  
 Suffix 454 for M033 variety  
 Suffix 455 for M043 variety

1

# 6100 series



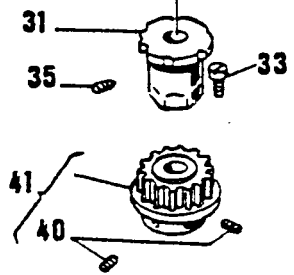
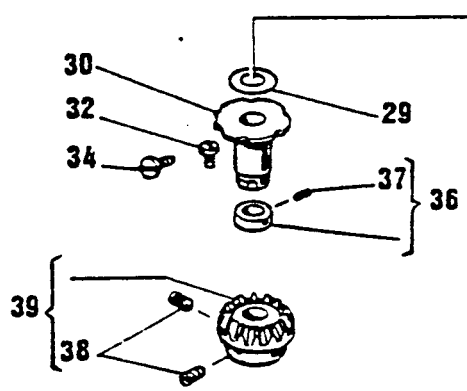
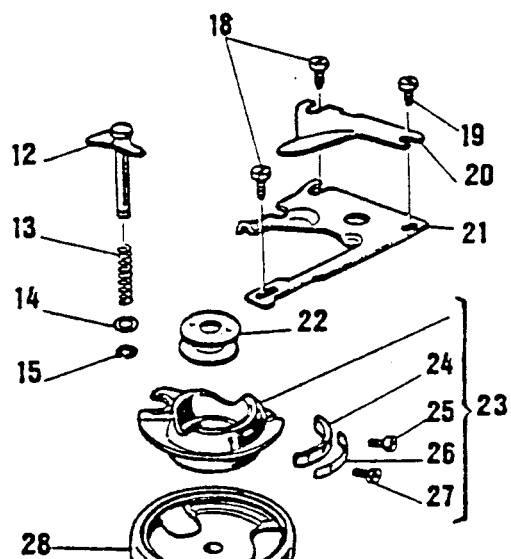
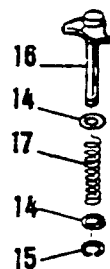
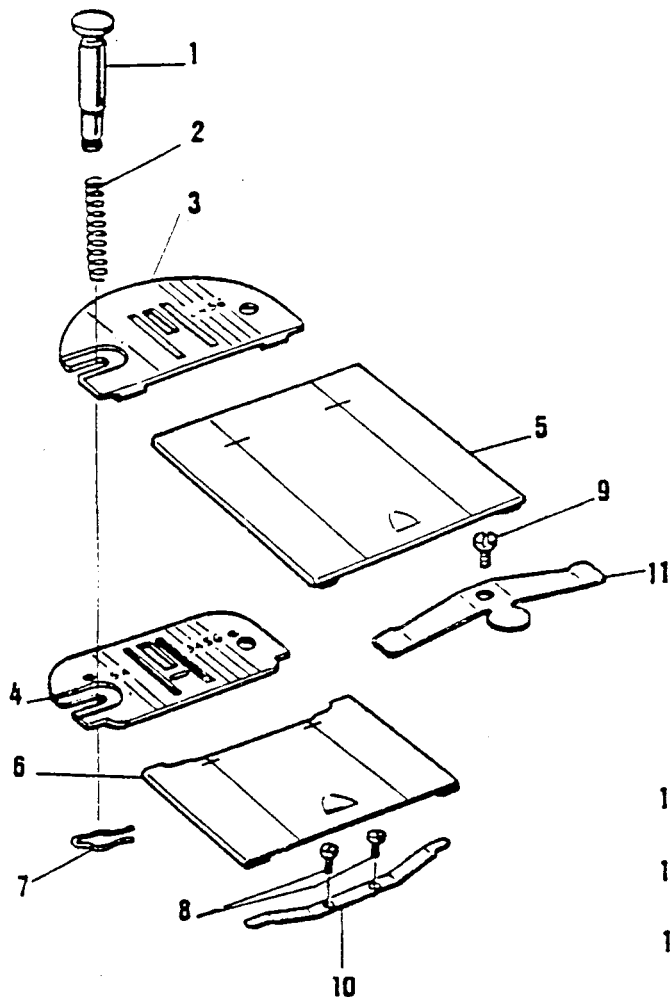
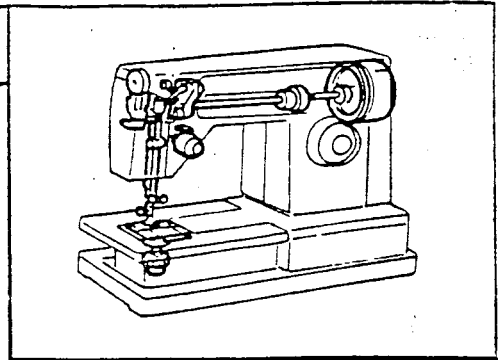






## LIST OF PARTS FOR MACHINES 6100 SERIES

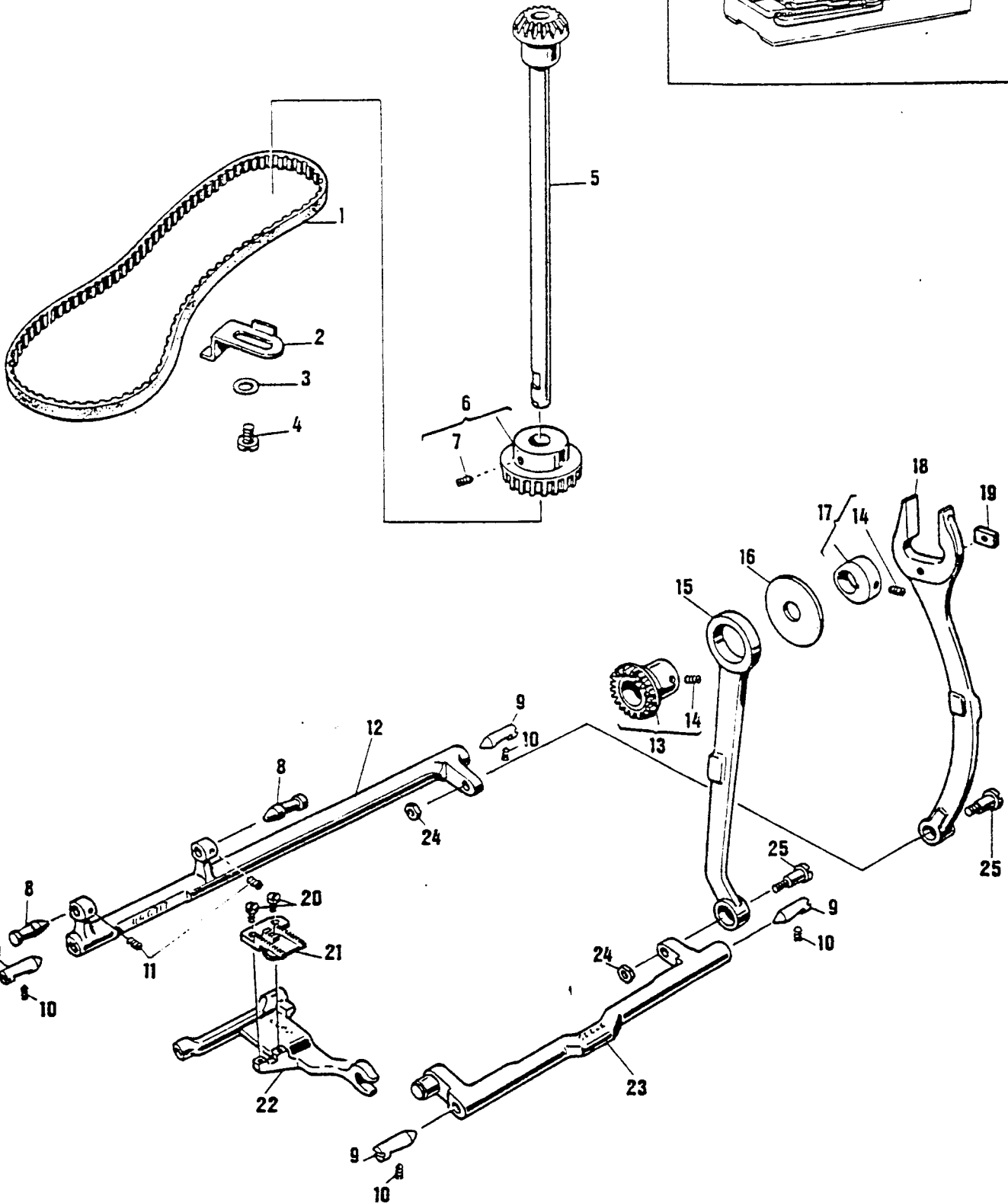
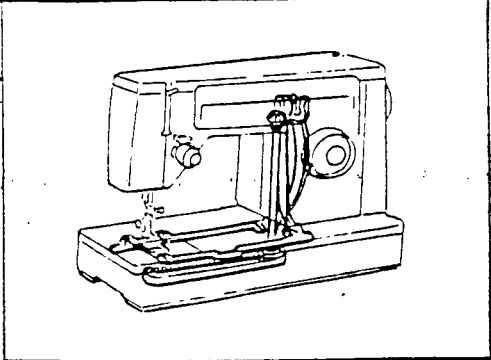
| REF. N. | PART. N.   | 6174 | 6184 | 6100 | 6106 | 6105 | 6104 | 6102 | PART DESCRIPTION                          |
|---------|------------|------|------|------|------|------|------|------|---|
| 1       | 141918     | X    | X    | X    | X    | X    | X    | X    | Screw                                     |
| 2       | 445124     | X    | X    | X    | X    | X    | X    | X    | Hinge pin eccentric                       |
| 3       | 422318     | X    | X    | X    | X    | X    | X    | X    | Needle bar vibrating bracket cpl.         |
| 4       | 422320     | X    | X    | X    | X    | X    | X    | X    | Retaining ring                            |
| 5       | 502354     | X    | X    | X    | X    | X    | X    | X    | Washer                                    |
| 6       | 354621-451 | X    | X    | X    | X    | X    | X    | X    | Screw                                     |
| 7       | 507379     | X    | X    | X    | X    | X    | X    | X    | Ball bushing (upper) socket               |
| 8       | 507343     | X    | X    | X    | X    | X    | X    | X    | Retaining ring                            |
| 9       | 37927      | X    | X    | X    | X    | X    | X    | X    | Ball bushing (upper)                      |
| 10      | 37934      | X    | X    | X    | X    | X    | X    | X    | Bracket                                   |
| 11      | 422404     | X    | X    | X    | X    | X    | X    | X    | Vibrating bracket with hinge pin          |
| 12      | 44673      | X    | X    | X    | X    | X    | X    | X    | Hinge pin (eccentric) collar              |
| 13      | 141940     | X    | X    | X    | X    | X    | X    | X    | Set screw                                 |
| 14      | 37932      | X    | X    | X    | X    | X    | X    | X    | Needle bar connecting stud hinge pin cpl. |
| 15      | 37931      | X    | X    | X    | X    | X    | X    | X    | Needle bar connecting stud hinge pin      |
| 16      | 141916     | X    | X    | X    | X    | X    | X    | X    | Set screw                                 |
| 17      | 37930      | X    | X    | X    | X    | X    | X    | X    | Needle bar connecting stud                |
| 18      | 352912     | X    | X    | X    | X    | X    | X    | X    | Needle bar                                |
| 19      | 37943      | X    | X    | X    | X    | X    | X    | X    | Needle bar gib                            |
| 20      | 44450      | X    | X    | X    | X    | X    | X    | X    | Ball bushing (lower) socket (upper)       |
| 21      | 37927      | X    | X    | X    | X    | X    | X    | X    | Ball bushing (lower)                      |
| 22      | 507379     | X    | X    | X    | X    | X    | X    | X    | Ball bushing (lower) socket (lower)       |
| 23      | 44473      | X    | X    | X    | X    | X    | X    | X    | Ball bushing (lower) adjusting screw      |
| 24      | 141803     | X    | X    | X    | X    | X    | X    | X    | Set screw                                 |
| 25      | 319721     | X    | X    | X    | X    | X    | X    | X    | Needle clamp thread guide                 |
| 26      | 141808     | X    | X    | X    | X    | X    | X    | X    | Screw                                     |
| 27      | 319729     | X    | X    | X    | X    | X    | X    | X    | Needle clamp cpl.                         |
| 28      | 319728     | X    | X    | X    | X    | X    | X    | X    | Needle clamp body                         |
| 29      | 511171     | X    | X    | X    | X    | X    | X    | X    | Needle thumb screw                        |
| 30      | Cat. 2045  |      |      | X    | X    | X    |      |      | Needle size 14 (fitted on machine)        |
|         | Cat. 2020  |      |      |      |      |      |      |      | Needle size 14 (fitted on machine)        |
| 31      | 422310     | X    | X    | X    | X    | X    | X    | X    | Thread take-up stud                       |
| 32      | 422307     | X    | X    | X    | X    | X    | X    | X    | Thread take-up                            |
| 33      | 421356     | X    | X    | X    | X    | X    | X    | X    | Washer                                    |
| 34      | 352753     | X    | X    | X    | X    | X    | X    | X    | Needle bar connecting link                |
| 35      | 352754     | X    | X    | X    | X    | X    | X    | X    | Washer                                    |
| 36      | 352573     | X    | X    | X    | X    | X    | X    | X    | Arm shaft                                 |
| 37      | 354105     | X    | X    | X    | X    | X    | X    | X    | Thread take-up crank set screw            |
| 38      | 319764     | X    | X    | X    | X    | X    | X    | X    | Washer (2)                                |
| 39      | 179861     | X    | X    | X    | X    | X    | X    | X    | Arm shaft retaining collar cpl.           |
| 40      | 141916     | X    | X    | X    | X    | X    | X    | X    | Set screw                                 |
| 41      | 353239     |      | X    | X    | X    | X    | X    | X    | Arm shaft belt drive pulley cpl.          |
| 42      | 141918     |      | X    | X    | X    | X    | X    | X    | Arm shaft belt drive pulley set screw     |
| 43      | 44679      | X    | X    | X    | X    | X    | X    | X    | Clamp stop motion flanged bushing cpl.    |
| 44      | 141916     | X    | X    | X    | X    | X    | X    | X    | Set screw                                 |
| 45      | 141915     | X    | X    | X    | X    | X    | X    | X    | Flanged bushing positioning screw         |
| 46      | 353107-452 | X    | X    | X    | X    | X    | X    | X    | Hand wheel                                |
| 47      | 44464      | X    | X    | X    | X    | X    | X    | X    | Clamp stop motion clamp washer            |
| 48      | 352589-452 | X    | X    | X    | X    | X    | X    | X    | Clamp stop motion clamp screw             |
| 49      | 141914     | X    | X    | X    | X    | X    | X    | X    | Clamp stop motion clamp stop screw        |





3

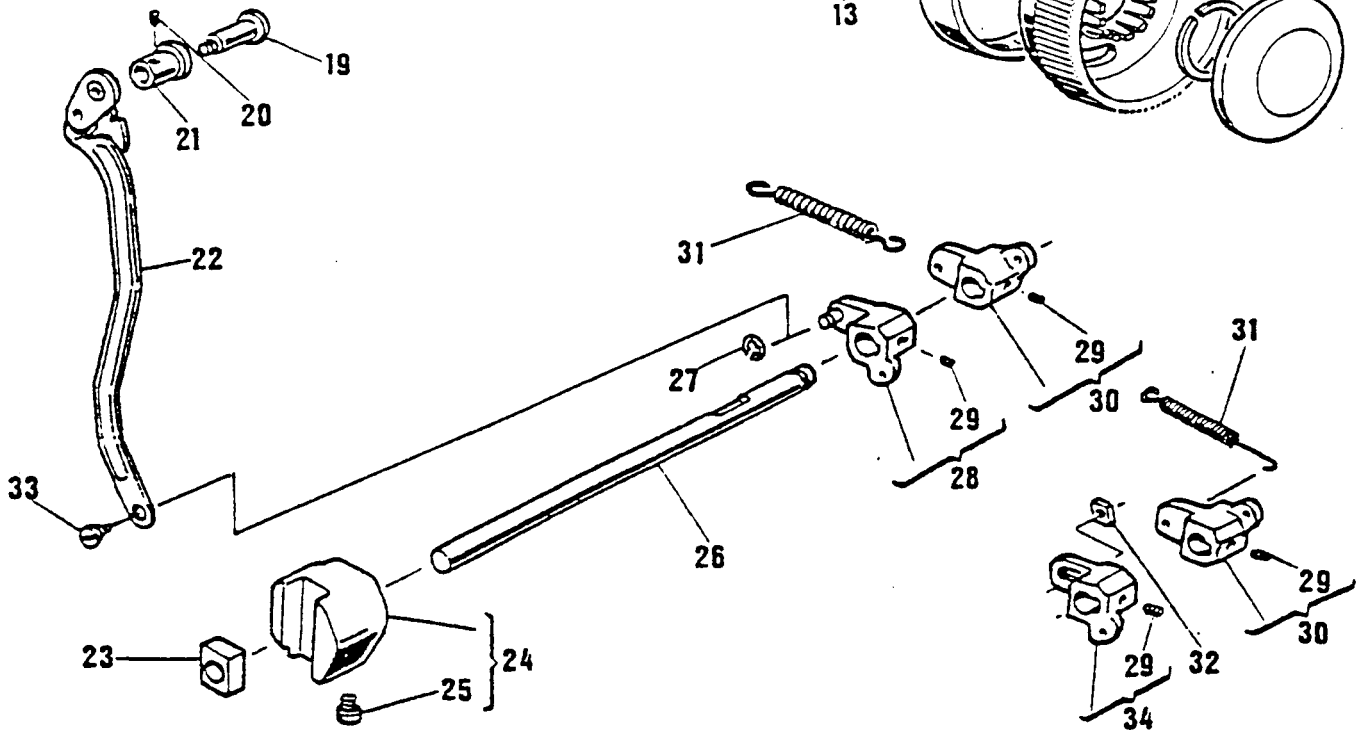
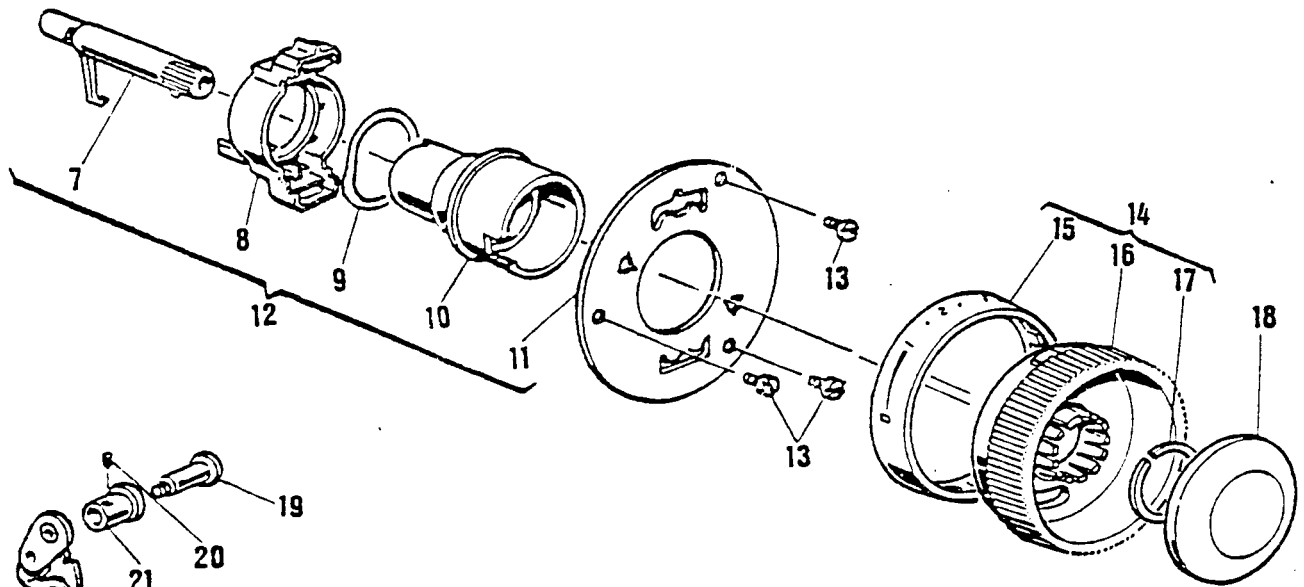
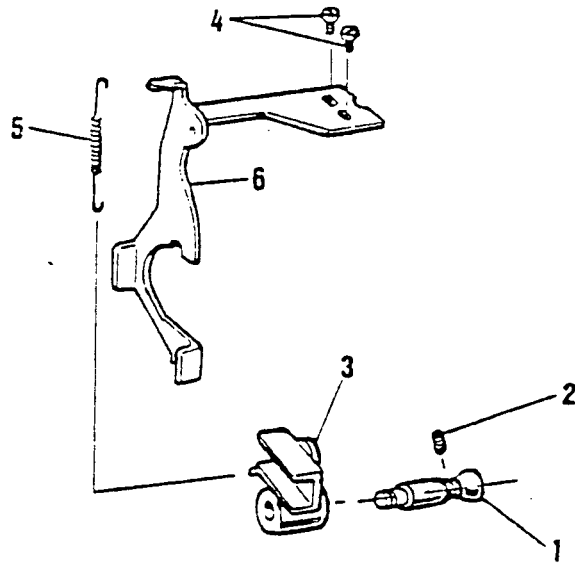
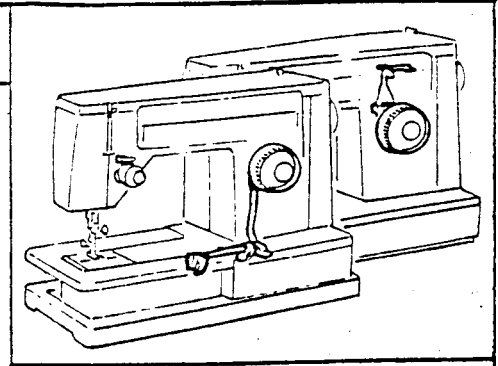
# 6100 series



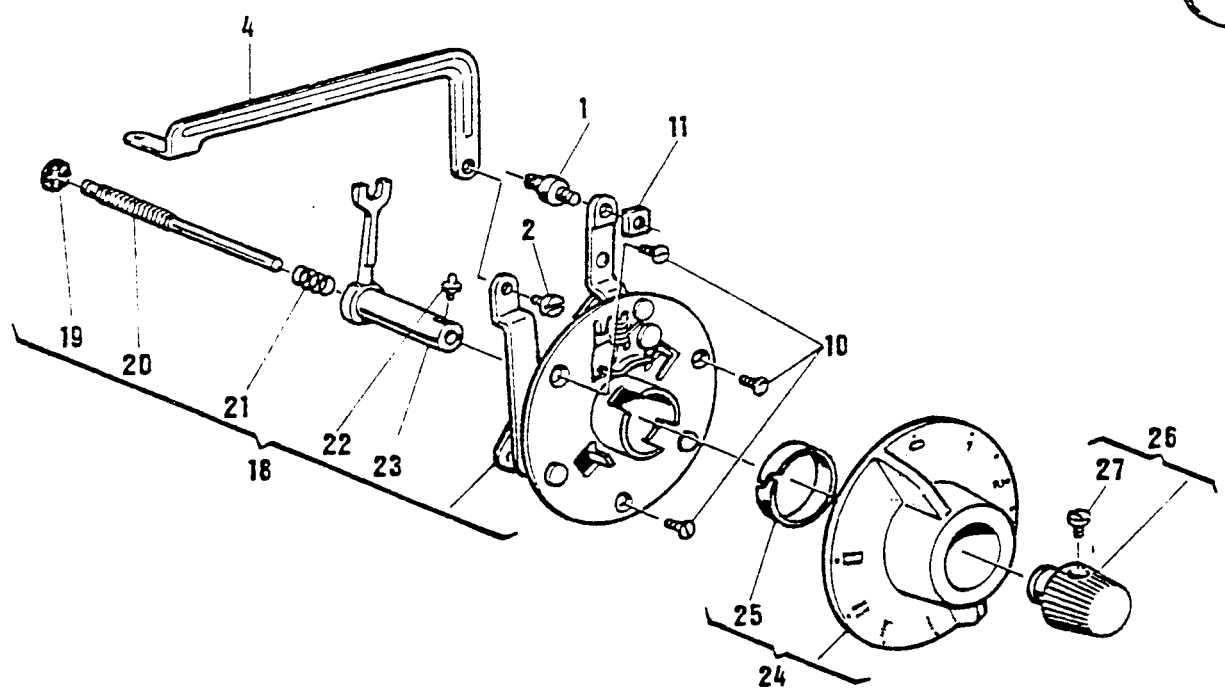
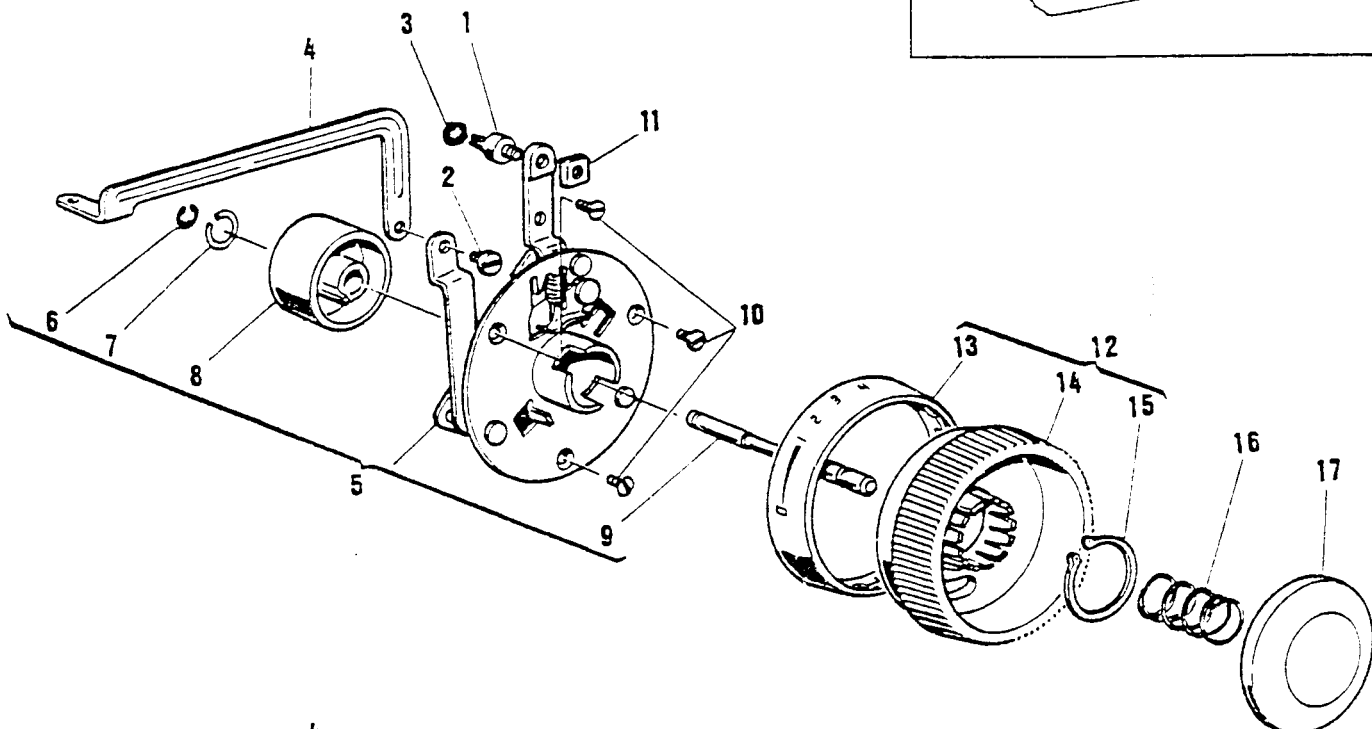
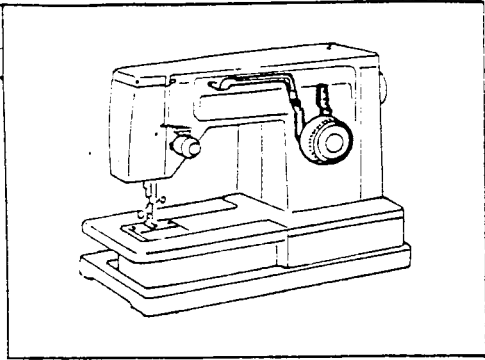
## LIST OF PARTS FOR MACHINES 6100 SERIES

| REF.<br>N. | PART. N.  | 6174 | 6184 | 6100 | 6106 | 6105 | 6104 | 6102 | PART DESCRIPTION                 |
|------------|-----------|------|------|------|------|------|------|------|----------------------------------|
| 1          | 37977     | X    |      |      |      |      |      |      | Rotating hook drive belt         |
| 2          | 446736    | X    |      |      |      |      |      |      | Driving belt tension adjuster    |
| 3          | 446737    | X    |      |      |      |      |      |      | Friction washer                  |
| 4          | 139909    | X    |      |      |      |      |      |      | Adjuster screw                   |
| 5          | 37231     | X    |      |      |      |      |      |      | Arm shaft (upright)              |
| 6          | 446822    | X    |      |      |      |      |      |      | Belt drive pulley cpl.           |
| 7          | 141803    | X    |      |      |      |      |      |      | Set screw                        |
| 8          | 446716    | X    |      |      |      |      |      |      | Feed bar centre (2)              |
| 9          | 179880    | X    |      |      |      |      |      |      | Feed lifting rock shaft centre   |
| 10         | 141925    | X    |      |      |      |      |      |      | Set screw (4)                    |
| 11         | 141938    | X    |      |      |      |      |      |      | Set screw (2)                    |
| 12         | 446717    | X    |      |      |      |      |      |      | Feed rock shaft                  |
| 13         | 37229     | X    |      |      |      |      |      |      | Bevel gear and feed lifting cpl. |
| 14         | 141918    | X    |      |      |      |      |      |      | Set screw                        |
| 15         | 37288     | X    |      |      |      |      |      |      | Connecting rod                   |
| 16         | 37284-001 | X    |      |      |      |      |      |      | Retaining washer                 |
| 17         | 37281     | X    |      |      |      |      |      |      | Feed cam cpl.                    |
| 18         | 37283     | X    |      |      |      |      |      |      | Feed forked connection           |
| 19         | 319820    | X    |      |      |      |      |      |      | Slide block                      |
| 20         | 141920    | X    |      |      |      |      |      |      | Feed dog screw (2)               |
| 21         | 422407    | X    |      |      |      |      |      |      | Feed dog                         |
| 22         | 37280     | X    |      |      |      |      |      |      | Feed bar                         |
| 23         | 37286     | X    |      |      |      |      |      |      | Feed lifting rock shaft          |
| 24         | 53648     | X    |      |      |      |      |      |      | Nut                              |
| 25         | 141805    | X    |      |      |      |      |      |      | Hinge screw (eccentric)          |

# 6100 series





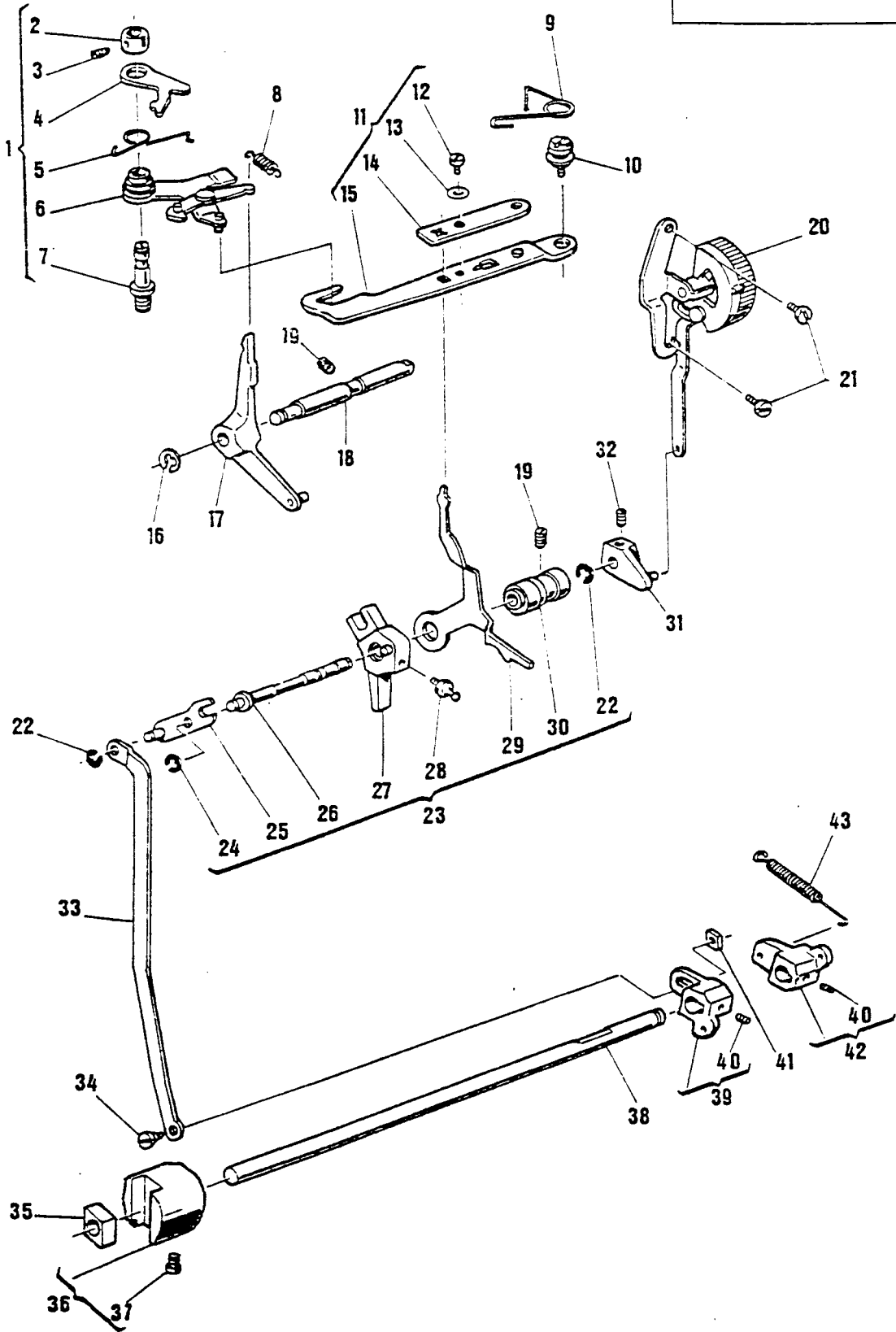
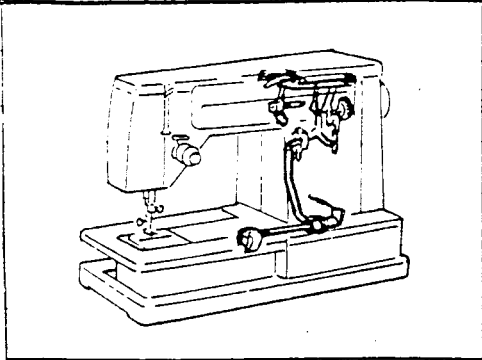




## LIST OF PARTS FOR MACHINES 6100 SERIES

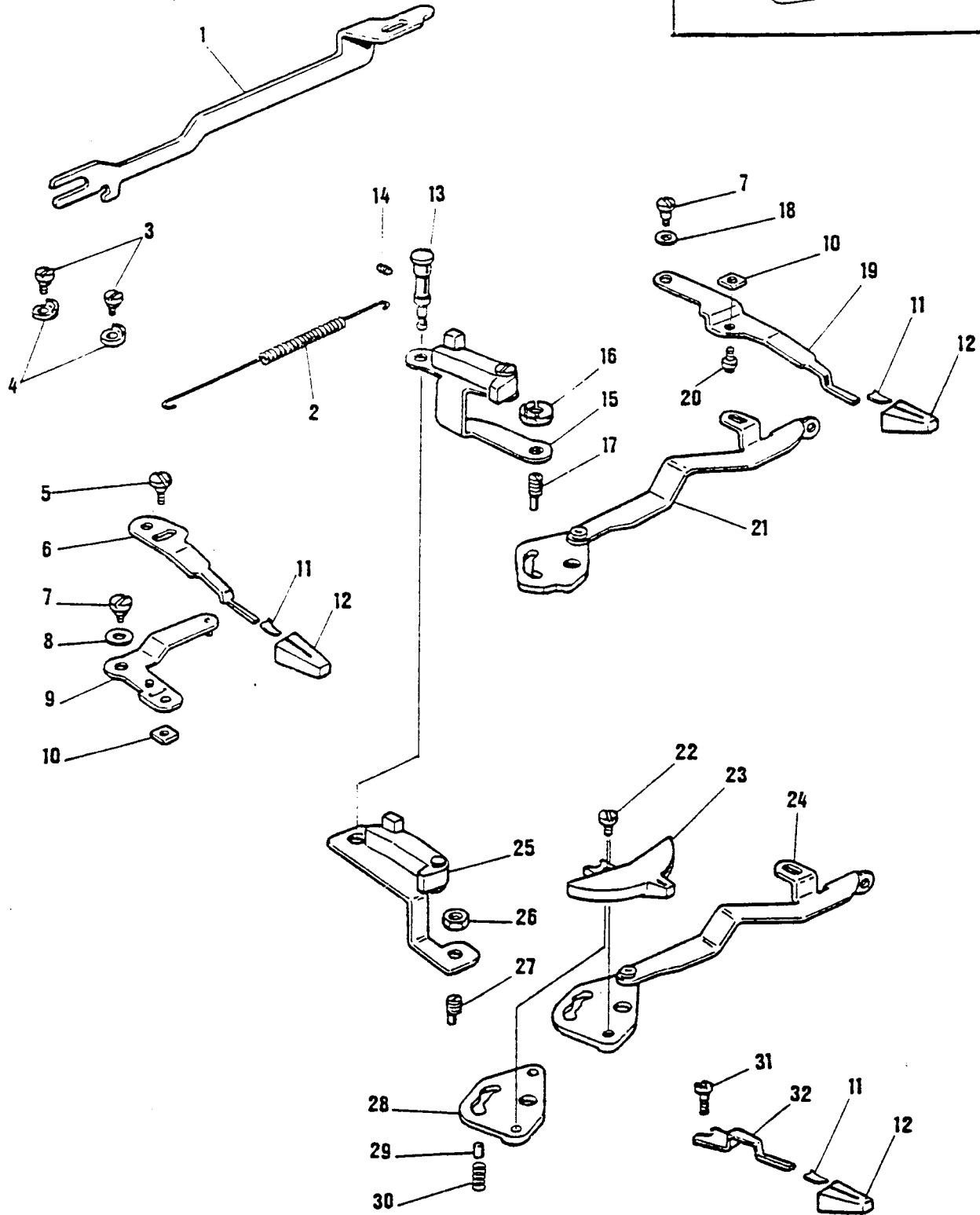
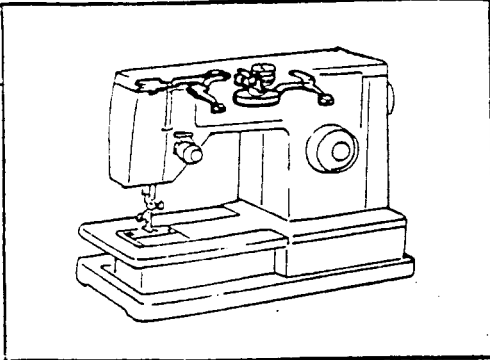
| REF. N. | PART. N.   | 6174 | 6184 | 6100 | 6106 | 6105 | 6104 | 6102 | PART DESCRIPTION                                 |
|---------|------------|------|------|------|------|------|------|------|--|
| 1       | 514745     | X    | X    | X    | X    | X    | X    |      | Bearing screw                                    |
| 2       | 139866     | X    | X    | X    | X    | X    | X    |      | Hinge screw                                      |
| 3       | 507063     |      |      | X    | X    | X    | X    |      | Retaining ring                                   |
| 4       | 421926     | X    | X    | X    | X    | X    | X    |      | Bight control lever link                         |
| 5       | 422363     |      |      | X    | X    | X    | X    |      | Buttonholer and feed regulator cpl.              |
| 6       | 507063     |      |      | X    | X    | X    | X    |      | Retaining ring                                   |
| 7       | 421925     |      |      | X    | X    | X    | X    |      | Retaining ring                                   |
| 8       | 421852     |      |      | X    | X    | X    | X    |      | Feed regulator cam                               |
| 9       | 421935     |      |      | X    | X    | X    | X    |      | Reverse feed pin                                 |
| 10      | 139868     | X    | X    | X    | X    | X    | X    |      | Screw  |
| 11      | 514698-451 | X    | X    | X    | X    | X    | X    |      | Nut  |
| 12      | 422020-451 |      |      | X    | X    | X    |      |      | Control dial cpl. (Chromium plated)              |
|         | 422019-451 |      |      |      |      |      | X    |      | Control dial cpl. (Chromium plated)              |
|         | 422021-451 |      |      |      | X    | X    | X    |      | Control dial cpl. (Plastic colour)               |
|         | 422021-451 |      |      | X    |      |      |      |      | Control dial cpl. (Plastic colour only for 6120) |
| 13      | 421938-451 |      |      | X    | X    | X    | X    |      | Control dial ring (with red mark)                |
|         | 421938-452 |      |      |      |      |      | X    |      | Control dial ring (with yellow mark)             |
| 14      | 421864-451 |      |      | X    | X    | X    | X    |      | Control dial (Chromium plated)                   |
|         | 421862-451 |      |      |      | X    | X    | X    |      | Control dial (Plastic colour)                    |
|         | 421862-451 |      |      | X    |      |      |      |      | Control dial (Plastic colour only for 6120)      |
| 15      | 421871     |      |      | X    | X    | X    | X    |      | Retaining ring                                   |
| 16      | 421934     |      |      | X    | X    | X    | X    |      | Pressure spring                                  |
| 17      | 421933-451 |      |      | X    | X    | X    | X    |      | Reverse feed push button                         |
| 18      | 422089     | X    |      |      |      |      |      |      | Buttonholer and feed regulator cpl.              |
| 18 a    | 353187     |      | X    |      |      |      |      |      | Buttonholer and feed regulator cpl.              |
| 19      | 446897     | X    |      |      |      |      |      |      | Retaining ring                                   |
| 20      | 352820     | X    |      |      |      |      |      |      | Feed regulator positioning pin                   |
| 20 a    | 353185     |      | X    |      |      |      |      |      | Feed regulator positioning pin                   |
| 21      | 446896     | X    | X    |      |      |      |      |      | Friction spring                                  |
| 22      | 352583     | X    | X    |      |      |      |      |      | Reverse feed cam follower                        |
| 23      | 446918     | X    | X    |      |      |      |      |      | Feed regulator positioning pin carrier.          |
| 24      | 353078-452 | X    | X    |      |      |      |      |      | Control dial cpl.                                |
| 25      | 445512     | X    | X    |      |      |      |      |      | Retaining ring                                   |
| 26      | 445307-462 | X    | X    |      |      |      |      |      | Feed regulator positioning pin knob              |
| 27      | 354592     | X    | X    |      |      |      |      |      | Screw  |

Rev feed push button  
6100-421738-451



## LIST OF PARTS FOR MACHINES 6100 SERIES

| REF. N. | PART. N.   | 6174 | 6184 | 6100 | 6106 | 6105 | 6104 | 6102 | PART DESCRIPTION  |
|---------|------------|------|------|------|------|------|------|------|---|
| 1       | 421997     |      |      | X    | X    | X    | X    |      | Cam feed disc drive lever   |
| 2       | 353033     |      |      | X    | X    | X    | X    |      | Feed shaft drive collar   |
| 3       | 354795-451 |      |      | X    | X    | X    | X    |      | Set screw   |
| 4       | 421130     |      |      | X    | X    | X    | X    |      | Cam feed disc follower  |
| 5       | 421138     |      |      | X    | X    | X    | X    |      | Torsion spring  |
| 6       | 421133     |      |      | X    | X    | X    | X    |      | Cam feed disc drive lever cpl.                                      |
| 7       | 421131     |      |      | X    | X    | X    | X    |      | Bearing stud  |
| 8       | 421945     |      |      | X    | X    | X    | X    |      | Tension spring  |
| 9       | 421950     |      |      | X    | X    | X    | X    |      | Torsion spring  |
| 10      | 421949-451 |      |      | X    | X    | X    | X    |      | Hinge screw   |
| 11      | 421946     |      |      | X    | X    | X    | X    |      | Clutch lever cpl.   |
| 12      | 514554-451 |      |      | X    | X    | X    | X    |      | Screw   |
| 13      | 506125     |      |      | X    | X    | X    | X    |      | Washer  |
| 14      | 421948     |      |      | X    | X    | X    | X    |      | Adjusting lever   |
| 15      | 421947     |      |      | X    | X    | X    | X    |      | Clutch lever  |
| 16      | 511213     |      |      | X    | X    | X    | X    |      | Retaining ring  |
| 17      | 421941     |      |      | X    | X    | X    | X    |      | Transmission lever cpl.   |
| 18      | 421129     |      |      | X    | X    | X    | X    |      | Transmission lever shaft (eccentric)                                |
| 19      | 141803     |      |      | X    | X    | X    | X    |      | Set screw   |
| 20      | 421951-452 |      |      | X    | X    | X    | X    |      | Feed balancing bracket cpl. ( <u>chromium plated</u> )              |
|         | 421951-451 |      |      | X    | X    | X    | X    |      | Feed balancing bracket cpl. ( <u>plastic colour</u> )               |
|         | 421951-451 |      |      | X    |      | X    | X    |      | Feed balancing bracket cpl. ( <u>plastic colour only for 6120</u> ) |
| 21      | 354084     |      |      | X    | X    | X    | X    |      | Screw   |
| 22      | 507309     |      |      | X    | X    | X    | X    |      | Retaining ring  |
| 23      | 421989     |      |      | X    | X    | X    | X    |      | Bearing stud cpl.   |
| 24      | 507343     |      |      | X    | X    | X    | X    |      | Retaining ring  |
| 25      | 421991     |      |      | X    | X    | X    | X    |      | Adjusting lever cpl.  |
| 26      | 421863     |      |      | X    | X    | X    | X    |      | Bearing stud  |
| 27      | 421856     |      |      | X    | X    | X    | X    |      | Feed regulator control arm  |
| 28      | 421857     |      |      | X    | X    | X    | X    |      | Feed regulator control arm (ball)                                   |
| 29      | 421929     |      |      | X    | X    | X    | X    |      | Actuating lever   |
| 30      | 421978     |      |      | X    | X    | X    | X    |      | Eccentric bushing   |
| 31      | 421956     |      |      | X    | X    | X    | X    |      | Driving arm eccentric   |
| 32      | 354085-451 |      |      | X    | X    | X    | X    |      | Set screw   |
| 33      | 421931     |      |      | X    | X    | X    | X    |      | Connection link   |
| 34      | 422244     |      |      | X    | X    | X    | X    |      | Screw   |
| 35      | 511030     |      |      | X    | X    | X    | X    |      | Slide block   |
| 36      | 511484     |      |      | X    | X    | X    | X    |      | Feed regulator cpl.   |
| 37      | 351126     |      |      | X    | X    | X    | X    |      | Feed regulator set screw  |
| 38      | 422214     |      |      | X    | X    | X    | X    |      | Feed regulator shaft  |
| 39      | 422212     |      |      | X    | X    | X    | X    |      | Feed regulator  |
| 40      | 514509     |      |      | X    | X    | X    | X    |      | Set screw   |
| 41      | 514698-451 |      |      | X    | X    | X    | X    |      | Nut   |
| 42      | 422209     |      |      | X    | X    | X    | X    |      | Feed regulator  |
| 43      | 421959     |      |      | X    | X    | X    | X    |      | Tension spring  |

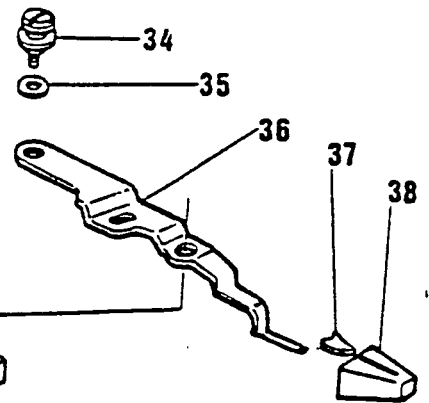
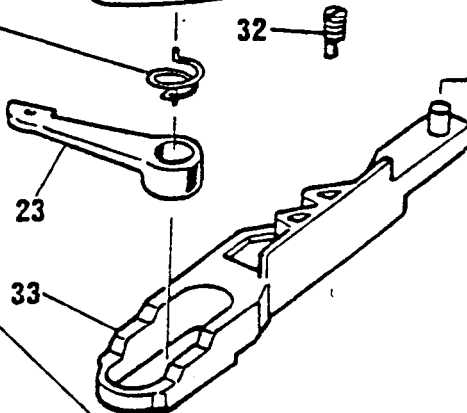
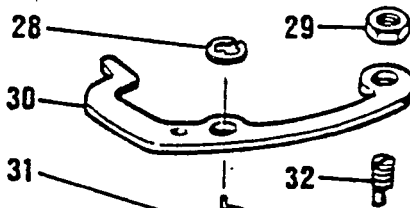
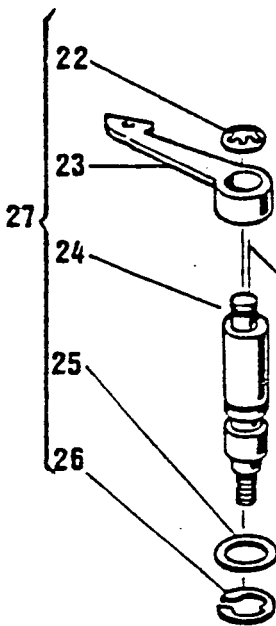
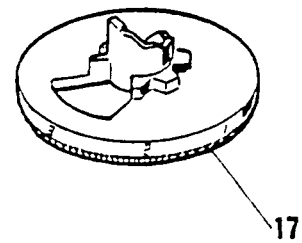
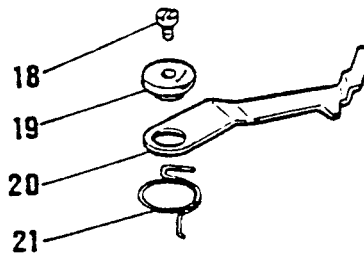
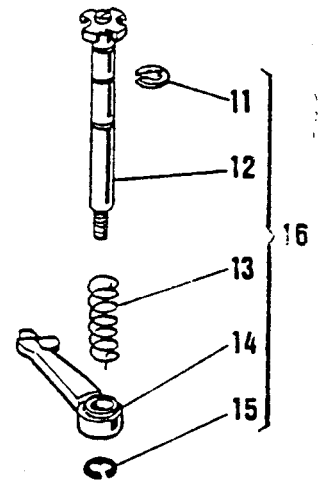
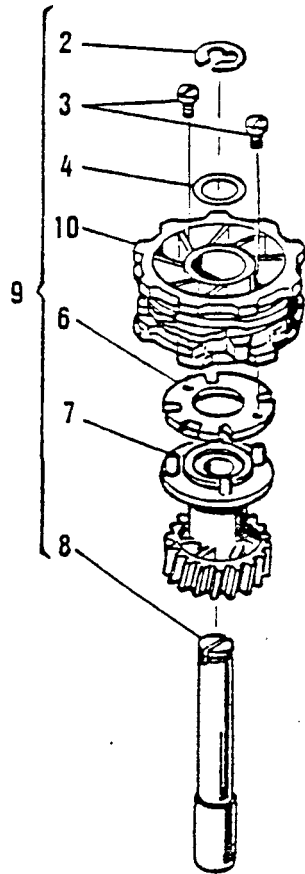
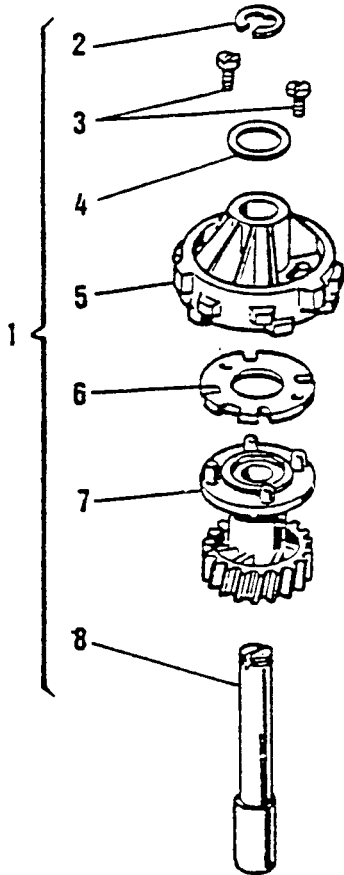
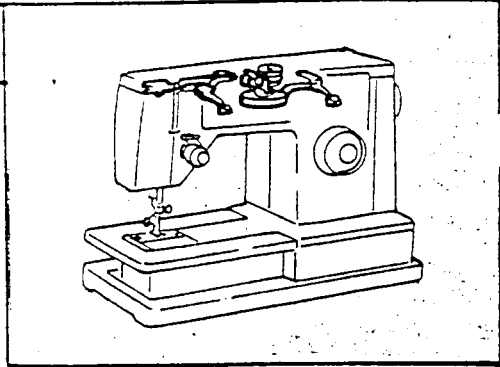


## LIST OF PARTS FOR MACHINES 6100 SERIES

| REF. N. | PART. N.   | 6174 | 6184 | 6100 | 6106 | 6105 | 6104 | 6102 | PART DESCRIPTION   |
|---------|------------|------|------|------|------|------|------|------|--|
| 1       | 37933      | X    | X    | X    | X    | X    | X    | X    | Needle bar driving arm                                   |
| 2       | 37942      | X    | X    | X    | X    | X    | X    | X    | Tension spring   |
| 3       | 141787     | X    | X    | X    | X    | X    | X    | X    | Stop screw (2)   |
| 4       | 37248      | X    | X    | X    | X    | X    | X    | X    | Control lever link stop (2)                              |
| 5       | 514730-451 | X    | X    | X    | X    | X    | X    | X    | Screw  |
|         | 141913     |      |      |      |      |      |      | X    | Screw  |
| 6       | 421858     | X    | X    | X    | X    | X    | X    | X    | Bight amplitude control lever                            |
| 7       | 141786     | X    | X    | X    | X    | X    | X    | X    | Hinge screw  |
| 8       | 49204      | X    | X    | X    | X    | X    | X    |      | Friction washer  |
|         | 446736     |      |      |      |      |      |      | X    | Friction washer  |
| 9       | 421984     | X    | X    | X    | X    | X    | X    |      | Control lever link                                       |
|         | 37246      |      |      |      |      |      |      | X    | Control lever link                                       |
| 10      | 514707-451 | X    | X    | X    | X    | X    | X    |      | Nut  |
| 11      | 37244      | X    | X    | X    | X    | X    | X    | X    | Control lever knob spring clip                           |
| 12      | 421883-451 |      |      | X    | X    | X    | X    |      | Control lever knob ( <u>Chromium plated</u> )            |
|         | 421883-452 | X    | X    | X    | X    | X    | X    | X    | Control lever knob ( <u>Plastic colour</u> )             |
| 13      | 37941      | X    | X    | X    | X    | X    | X    | X    | Hinge stud   |
| 14      | 354196-451 | X    | X    | X    | X    | X    | X    | X    | Set screw  |
| 15      | 421886     |      |      | X    | X    | X    |      |      | Slide bracket  |
| 16      | 179739-451 |      |      | X    | X    | X    |      |      | Eccentric screw stud nut                                 |
| 17      | 445347     |      |      | X    | X    | X    |      |      | Eccentric screw stud                                     |
| 18      | 49204      |      |      | X    | X    | X    |      |      | Friction washer  |
| 19      | 421859     |      |      | X    | X    | X    |      |      | Needle position lever                                    |
| 20      | 421893     |      |      | X    | X    | X    |      |      | Stud   |
| 21      | 421889     |      |      | X    | X    | X    |      |      | Needle position selector lever cpl.                      |
| 22      | 139943     |      |      |      |      |      | X    | X    | Screw  |
| 23      | 421895-451 |      |      |      |      |      | X    |      | Needle position selector dial ( <u>Chromium plated</u> ) |
|         | 421895-452 |      |      |      |      |      | X    | X    | Needle position selector dial ( <u>Plastic colour</u> )  |
| 24      | 422075     |      |      |      |      |      | X    |      | Needle position selector lever cpl.                      |
| 25      | 319798     |      |      |      |      |      | X    | X    | Slide bracket  |
| 26      | 53641      |      |      |      |      |      | X    | X    | Eccentric screw stud nut                                 |
| 27      | 44471      |      |      |      |      |      | X    | X    | Eccentric screw stud                                     |
| 28      | 37953      |      |      |      |      |      | X    | X    | Bracket  |
| 29      | 37955      | X    | X    | X    | X    | X    | X    | X    | Positioning pin  |
| 30      | 37956      | X    | X    | X    | X    | X    | X    | X    | Positioning pin spring                                   |
| 31      | 141913     | X    | X    |      |      |      |      |      | Screw  |
| 32      | 422428     | X    | X    |      |      |      |      |      | Needle position lever                                    |

5

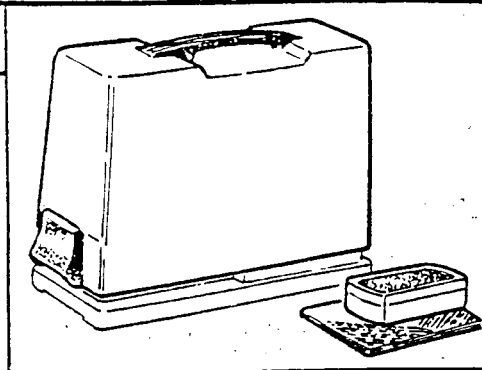
# 6100 series



## LIST OF PARTS FOR MACHINES 6100 SERIES

| REF. N. | PART. N.   | 6174 | 6184 | 6100 | 6106 | 6105 | 6104 | 6102 | PART DESCRIPTION   |
|---------|------------|------|------|------|------|------|------|------|--|
| 1       | 353175     | X    | X    |      |      |      |      |      | Disc driving gear cpl.                                     |
| 1 a     | 422080     |      |      |      |      |      | X    | X    | Disc driving gear cpl                                      |
| 2       | 422441     | X    | X    | X    | X    | X    | X    | X    | Retaining ring   |
| 3       | 422440     | X    | X    | X    | X    | X    | X    | X    | Disc positioning screw (2)                                 |
| 4       | 422074     | X    | X    | X    | X    | X    | X    | X    | Washer   |
| 5       | 422288     |      |      |      |      |      | X    | X    | Disc stack   |
| 5 a     | 353174     | X    | X    |      |      |      |      |      | Disc stack   |
| 6       | 422260     | X    | X    | X    | X    | X    | X    | X    | Disc mounting plate  |
| 7       | 422202     | X    | X    | X    | X    | X    | X    | X    | Disc driving gear  |
| 8       | 422073     | X    | X    | X    | X    | X    | X    | X    | Disc driving gear shaft                                    |
| 9       | 422079     |      |      | X    | X    | X    |      |      | Disc driving gear cpl.                                     |
| 10      | 422206     |      |      | X    | X    | X    |      |      | Disc stack   |
| 11      | 421912     |      |      | X    | X    | X    |      |      | Crescent ring  |
| 12      | 421898     |      |      | X    | X    | X    |      |      | Hinge stud   |
| 13      | 421897     |      |      | X    | X    | X    |      |      | Disc follower spring                                       |
| 14      | 421896     |      |      | X    | X    | X    |      |      | Disc follower  |
| 15      | 511213     |      |      | X    | X    | X    |      |      | Retaining ring   |
| 16      | 421730-451 |      |      |      | X    |      |      |      | Disc follower cpl.   |
|         | 421731-451 |      |      |      |      | X    |      |      | Disc follower cpl.   |
|         | 421732-452 |      |      | X    |      |      |      |      | Disc follower cpl.   |
| 17      | 421969-451 |      |      |      | X    |      |      |      | Disc selector dial ( <u>Plastic colour</u> )               |
|         | 421969-452 |      |      |      | X    |      |      |      | Disc selector dial ( <u>Chromium plated</u> )              |
|         | 422066-451 |      |      |      |      | X    |      |      | Disc selector dial ( <u>Plastic colour</u> )               |
|         | 422066-452 |      |      |      |      | X    |      |      | Disc selector dial ( <u>Chromium plated</u> )              |
|         | 422065-451 |      |      | X    |      |      |      |      | Disc selector dial ( <u>Chromium plated</u> )              |
|         | 422065-452 |      |      | X    |      |      |      |      | Disc selector dial ( <u>Plastic colour</u> )               |
| 18      | 514733-451 |      |      | X    | X    | X    |      |      | Bushing screw  |
| 19      | 422230     |      |      | X    | X    | X    |      |      | Disengaging lever bushing                                  |
| 20      | 421901     |      |      | X    | X    | X    |      |      | Disengaging lever  |
| 21      | 421902     |      |      | X    | X    | X    |      |      | Disengaging lever spring                                   |
| 22      | 44735      |      |      |      |      |      | X    | X    | Retaining ring   |
| 23      | 37262      | X    | X    |      |      |      | X    | X    | Disc follower  |
| 24      | 422426     | X    | X    |      |      |      | X    | X    | Disc follower stud   |
| 25      | 37276      | X    | X    |      |      |      | X    | X    | Disc follower washer                                       |
| 26      | 44371      | X    | X    |      |      |      | X    | X    | Retaining ring   |
| 27      | 422434     |      |      |      |      |      | X    | X    | Disc follower stud cpl.                                    |
| 28      | 507063     | X    | X    |      |      |      |      |      | Retaining ring   |
| 29      | 53641      | X    | X    |      |      |      |      |      | Nut  |
| 30      | 422081     | X    | X    |      |      |      |      |      | Disc follower disengaging lever                            |
| 31      | 44419      | X    | X    |      |      |      |      |      | Disc follower positioning spring                           |
| 32      | 44471      | X    | X    |      |      |      |      |      | Screw stud (eccentric)                                     |
| 33      | 353183     | X    | X    |      |      |      |      |      | Disc selector cam slide                                    |
| 34      | 141786     | X    | X    |      |      |      |      |      | Hinge screw  |
| 35      | 49204      | X    | X    |      |      |      |      |      | Friction washer  |
| 36      | 422016     | X    | X    |      |      |      |      |      | Disc selector lever  |
| 37      | 37244      | X    | X    |      |      |      |      |      | Disc selector control lever knob spring clip               |
| 38      | 421883-452 | X    | X    |      |      |      |      |      | Disc selector control lever knob ( <u>Plastic colour</u> ) |

# 6100 series



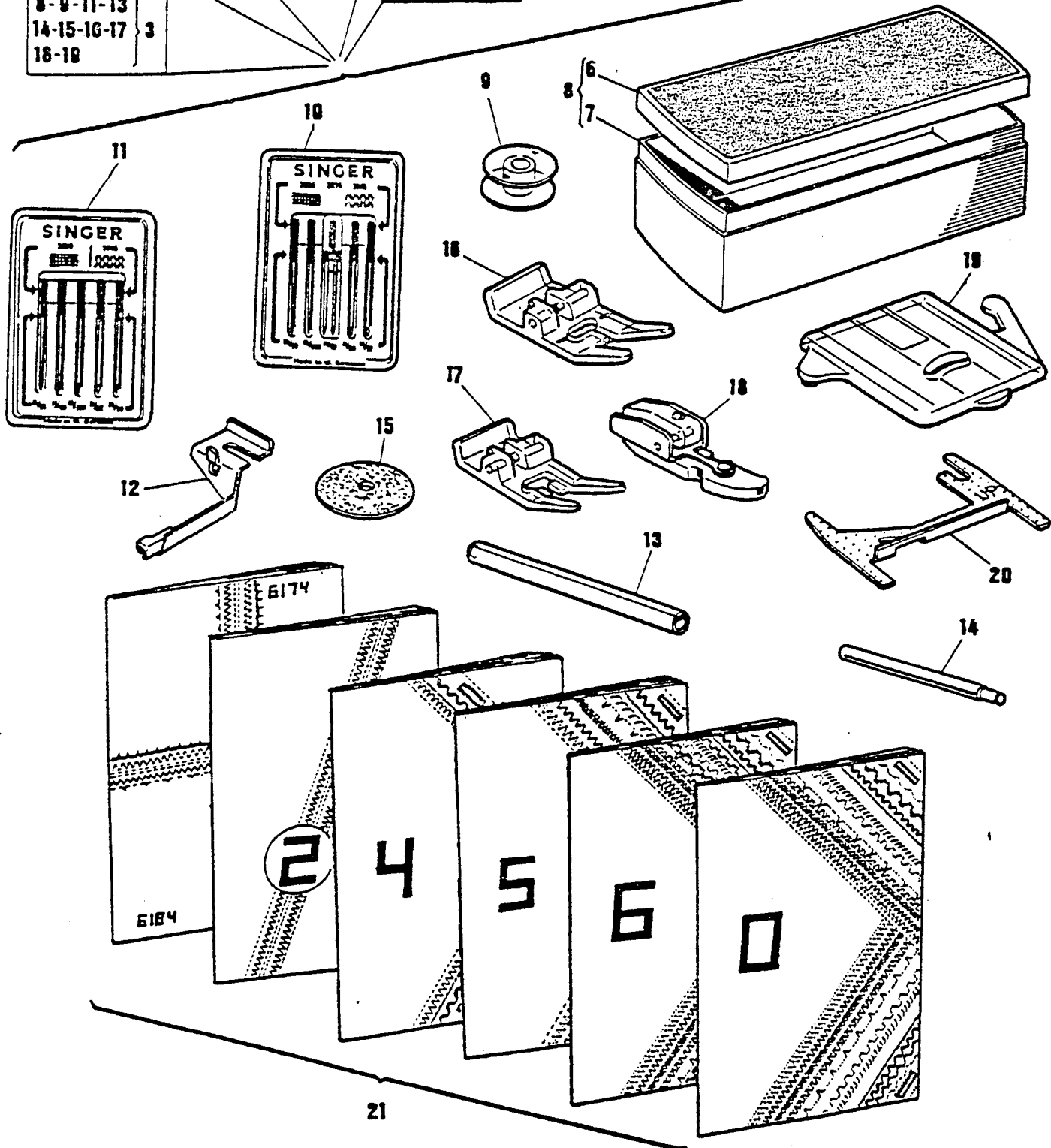
8-9-10-12  
13-14-15-16 } 1  
17-18-19

8-9-11-13  
14-15-16-17 } 2  
18-19

8-9-11-13  
14-15-16-17 } 3  
18-19

8-9-11  
12-13-  
14-15-16  
17-18-20 } 4

8-9-11-12  
13-14-15-16  
17-18-19 } 5





## LIST OF PARTS FOR MACHINES 6100 SERIES

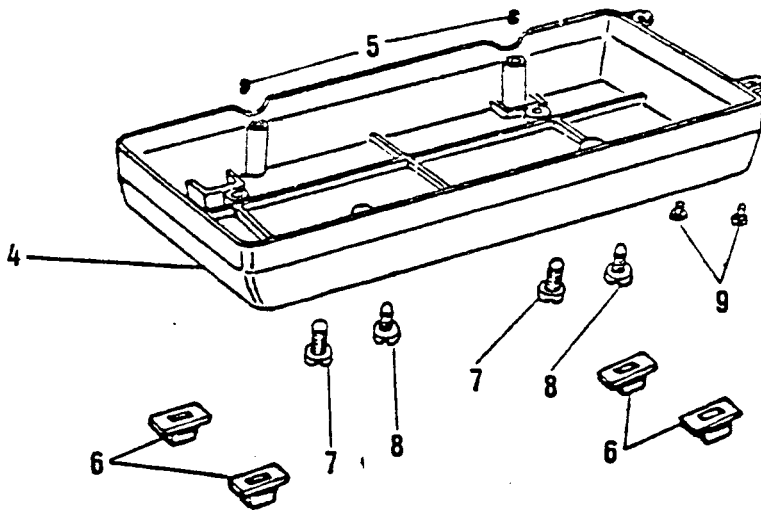
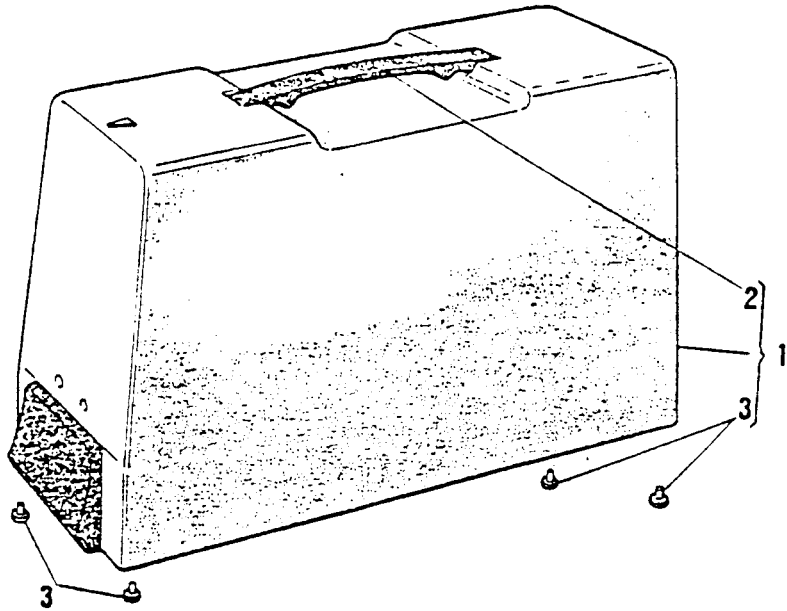
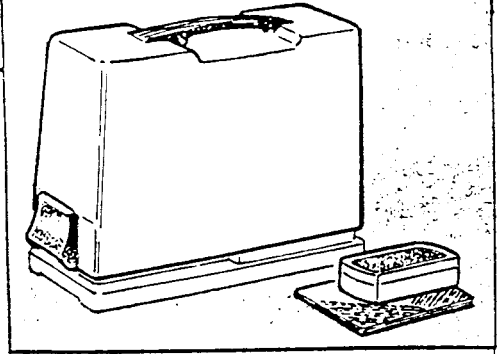
| REF. N. | PART. N.   | 6174 | 6184 | 6100 | 6106 | 6105 | 6104 | 6102 | PART DESCRIPTION  |
|---------|------------|------|------|------|------|------|------|------|---|
| 1       | 422026     |      |      | X    | X    | X    |      |      | Attachment set cpl.   |
| 2       | 422027     |      |      |      |      |      | X    |      | Attachment set cpl.   |
| 3       | 422028     |      |      |      |      |      |      | X    | Attachment set cpl.   |
| 4       | 422026-451 | X    |      |      |      |      |      |      | Attachment set cpl.   |
| 5       | 422026-453 |      | X    |      |      |      |      |      | Attachment set cpl.   |
| 6       | 421743-451 | X    | X    | X    | X    | X    | X    | X    | Attachment box cover  |
| 7       | 421744-451 | X    | X    | X    | X    | X    | X    | X    | Attachment box base   |
| 8       | 421742-451 | X    | X    | X    | X    | X    | X    | X    | Attachment box  |
| 9       | 172336     | X    | X    | X    | X    | X    | X    | X    | Bobbin .Transparent plastic (2)   |
| 10      | 381275     |      |      | X    | X    | X    |      |      | Needle pack (Plastic)<br>Containing : cat. 2020; size 11, 14 and 16<br>cat. 2045; size 14<br>cat. 2025; size 14 |
| 11      | 103489     | X    | X    |      |      |      | X    | X    | Needle pack (Plastic)<br>Containing : cat. 2020; size 11, 14, 16<br>cat. 2045; size 14 (2)                      |
| 12      | 381213     | X    | X    | X    | X    | X    |      |      | Blindstich guide  |
| 13      | 311800     |      |      | X    | X    | X    |      |      | Spool pin adaptor (2)   |
|         | 311800     | X    | X    |      |      |      | X    | X    | Spool pin adaptor (1)   |
| 14      | 173571     |      |      | X    | X    | X    |      |      | Spool pin (2)   |
|         | 173571     | X    | X    |      |      |      | X    | X    | Spool pin (1)   |
| 15      | 8879-454   |      |      | X    | X    | X    |      |      | Spool pin felt (2)  |
|         | 8879-454   | X    | X    |      |      |      | X    | X    | Spool pin felt (1)  |
| 16      | 161927     | X    | X    | X    | X    | X    | X    | X    | Snap-on buttonhole foot   |
| 17      | 171498     | X    | X    | X    | X    | X    | X    | X    | Snap-on special purpose foot  |
| 18      | 507836     | X    | X    | X    | X    | X    | X    | X    | Snap-on zipper foot   |
| 19      | 381459     |      | X    | X    | X    | X    | X    | X    | Snap-in feed cover plate  |
| 20      | 161894     | X    |      |      |      |      |      |      | Needle plate raising plate (Shim)   |
| 21      | Form n°    |      |      |      |      |      |      |      | See table below   |

## 21) INSTRUCTION BOOKS : Languages - Form N:

| Model     | Italian | English | German | French | Dutch | Danish | Finnish | Swedish | Spanish | English U. S. |
|-----------|---------|---------|--------|--------|-------|--------|---------|---------|---------|---------------|
| 6102      | 920     | 921     | 922    | 923    | 924   | 925    | 926     | 927     |         | 928           |
| 6104      | 940     | 941     | 942    | 943    | 944   | 945    | 946     | 947     |         | 948           |
| 6105      | 950     | 951     | 952    | 953    | 954   | 955    | 956     |         |         | 958           |
| 6106      | 960     | 961     | 962    | 963    | 964   | 965    | 966     | 967     |         | 968           |
| 6100      | 744     | 751     | 752    | 753    | 754   | 755    | 747     | 748     |         |               |
| 6136      | 970     | 971     | 972    | 973    | 974   | 975    | 976     | 977     |         | 978           |
| 6110      |         |         |        |        |       |        |         |         |         | 902           |
| 6174/6184 | 082     | 082     | 082    | 082    | 084   | 085    | 085     | 085     |         |               |

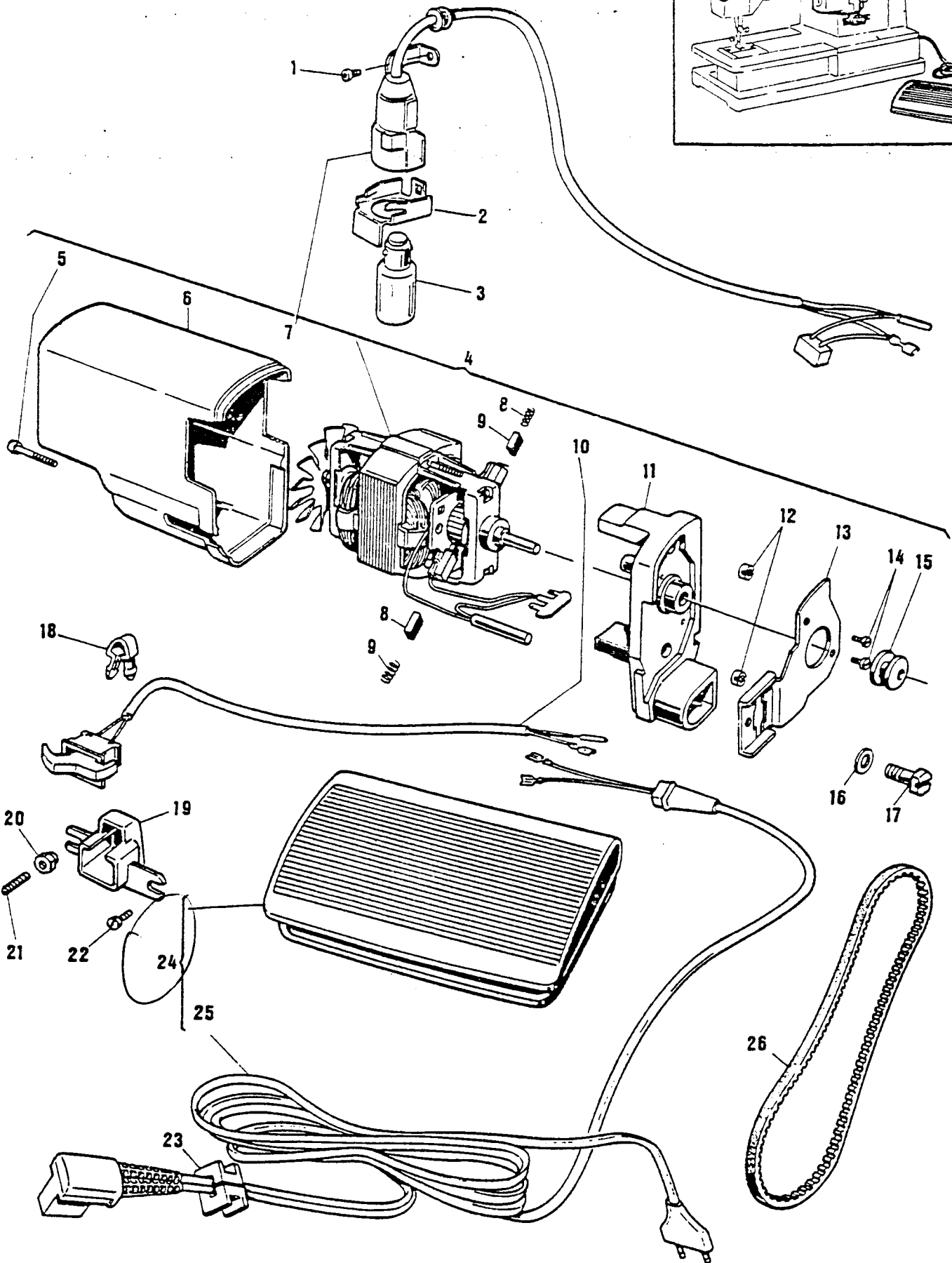
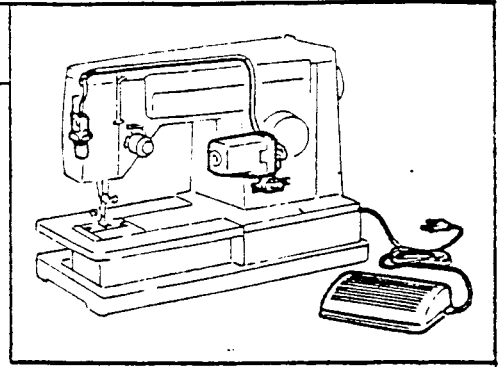
6

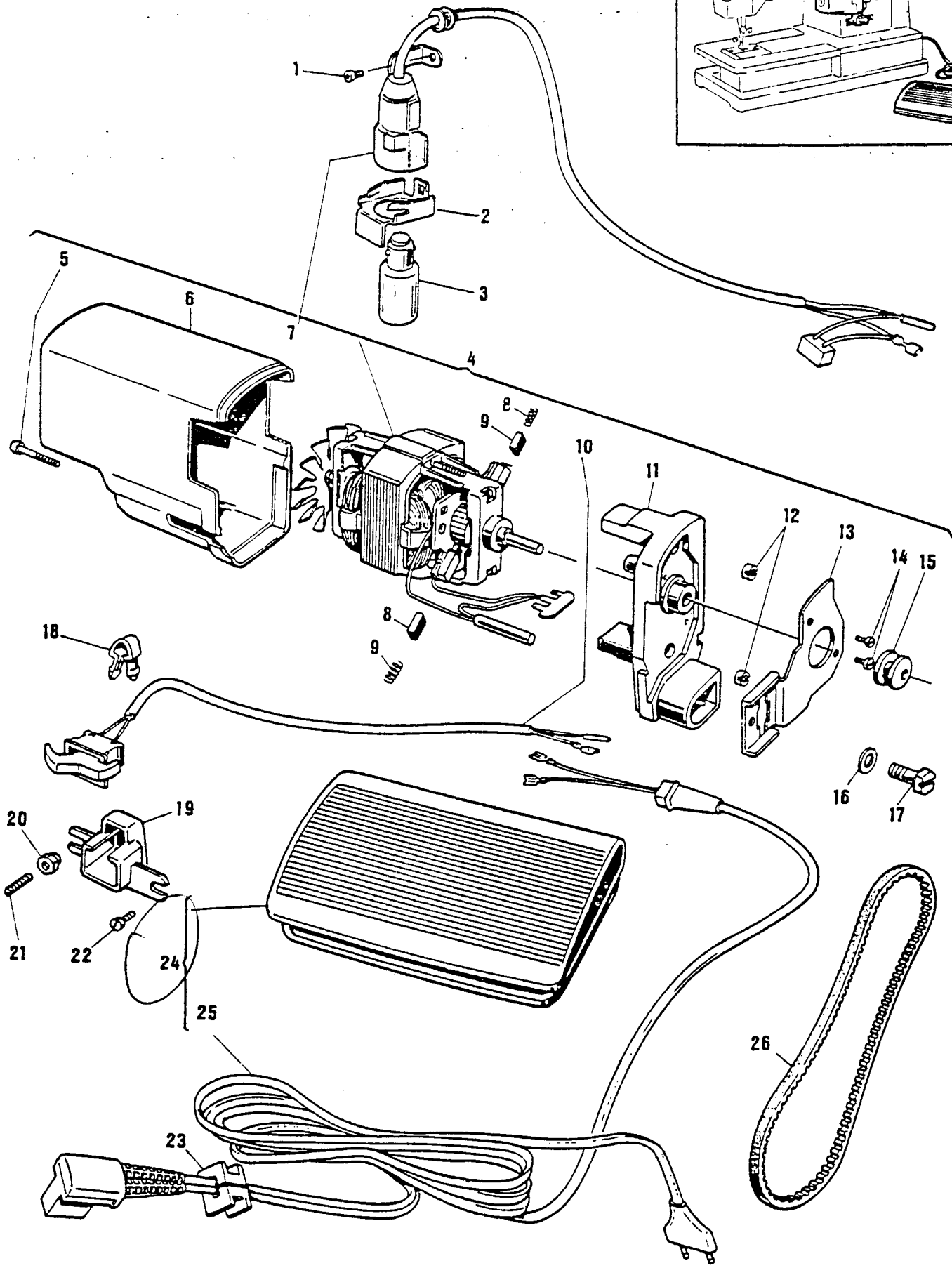
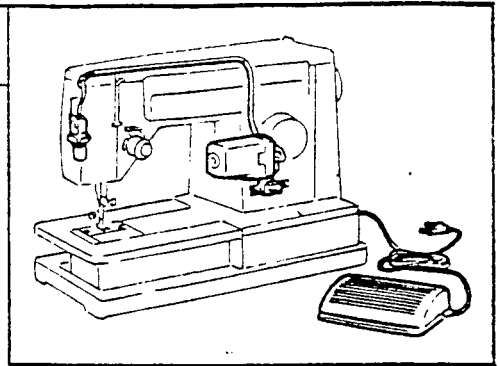
# 6100 series



## LIST OF PARTS FOR MACHINES 6100 SERIES

| REF. N. | PART. N.   | 6174 | 6184 | 6100 | 6106 | 6105 | 6104 | 6102 | PART DESCRIPTION                   |
|---------|------------|------|------|------|------|------|------|------|------------------------------------|
| 1       | 148817     |      | X    | X    | X    | X    | X    | X    | Carrying case cpl.                 |
| 2 •     | 148811-004 |      | X    | X    | X    | X    | X    | X    | Carrying case handle               |
| 3 •     | 148815-451 |      | X    | X    | X    | X    | X    | X    | Carrying case cushion (4)          |
| 4       | 422479-452 | X    |      |      |      |      |      |      | Bed cover (bottom)                 |
| 5       | 141925     | X    |      |      |      |      |      |      | Machine hinge connection set screw |
| 6       | 422490     | X    |      |      |      |      |      |      | Bed leg cushion                    |
| 7       | 354675     | X    |      |      |      |      |      |      | Screw (2)                          |
| 8       | 422483     | X    |      |      |      |      |      |      | Screw (2)                          |
| 9       | 139986     | X    |      |      |      |      |      |      | Screw (2)                          |





LIST OF PARTS FOR MACHINES 6100 SERIES

| REF. N. | PART. N.   | 6174 | 6184 | 6100 | 6106 | 6105 | 6104 | 6102 | PART DESCRIPTION  |
|---------|------------|------|------|------|------|------|------|------|---|
| 1       | 421712-451 | X    | X    | X    | X    | X    | X    | X    | Light screw   |
| 2       | 421967     | X    | X    | X    | X    | X    | X    | X    | Heat sink   |
| 3       | 194120-015 | X    | X    | X    | X    | X    | X    | X    | Bulb 15 W - 220 V   |
|         | 194120-016 | X    | X    | X    | X    | X    | X    | X    | Bulb 15 W - 120 V   |
|         | 194120-017 | X    | X    | X    | X    | X    | X    | X    | Bulb 15 W - 240 V   |
| 4       | 988138-001 | X    | X    | X    | X    |      |      |      | Motor cpl. 220 V (for 6136-6146-6156-6120-6130 Models)                |
|         | 988138-002 | X    | X    | X    | X    |      |      |      | Motor cpl. 240V (for 6136-6146-6156-6120-6130 Models)                 |
|         | 988138-007 | X    | X    | X    | X    |      |      |      | Motor cpl. 120 V (for 6136-6146-6156-6120-6130 Models) Canada         |
|         | 988138-020 | X    | X    | X    | X    |      |      |      | Motor cpl. 120 V (for 6136-6156-6146-6120-6130 Models) Usa            |
|         | 605079-027 |      |      |      | X    | X    | X    | X    | Motor cpl. 220 V  |
|         | 605079-029 |      |      |      | X    | X    | X    | X    | Motor cpl. 240 V  |
|         | 605079-028 |      |      |      | X    | X    | X    | X    | Motor cpl. 120 V (CANADA)   |
|         | 605079-051 |      |      |      | X    | X    | X    | X    | Motor cpl. 120 V (USA)  |
| 5       | 604016-001 | X    | X    | X    | X    | X    | X    | X    | Screw   |
| 6       | 988136-001 | X    | X    | X    | X    | X    | X    | X    | Dust cover  |
| 7       | 605209-016 | X    | X    | X    | X    |      |      |      | Light cpl. 220/240 V (for 6136-6146-6156-6120-6130 Models)            |
|         | 605209-020 | X    | X    | X    | X    |      |      |      | Light cpl. (Canada) (for 6136-6146-6156-6120-6130 Models)             |
|         | 605209-037 | X    | X    | X    | X    |      |      |      | Light cpl. (Usa) (for 6136-6146-6156-6120-6130 Models)                |
|         | 605209-012 |      |      |      | X    | X    | X    | X    | Light cpl. 220/240 V  |
|         | 605209-011 |      |      |      | X    | X    | X    | X    | Light cpl. (CANADA)   |
|         | 605209-036 |      |      |      | X    | X    | X    | X    | Light cpl. 120 V (USA)  |
| 8       | 619436-001 | X    | X    | X    | X    | X    | X    | X    | Brush spring (2)  |
| 9       | 619435-004 | X    | X    | X    | X    | X    | X    | X    | Brush (2)   |
| 10      | 603985-013 | X    | X    | X    | X    |      |      |      | Switch cpl. (for 6136-6146-6156-6120-6130 Models)                     |
|         | 603985-016 | X    | X    | X    | X    |      |      |      | Switch cpl. (CANADA) (for 6136-6146-6156-6120-6130 Models)            |
|         | 603985-031 | X    | X    | X    | X    |      |      |      | Switch cpl. (USA) (for 6136-6146-6156-6120-6130 Models)               |
|         | 603985-019 |      |      |      | X    | X    | X    | X    | Switch cpl. 220/240 V   |
|         | 603985-018 |      |      |      | X    | X    | X    | X    | Switch cpl. 120 V (CANADA)  |
|         | 603985-030 |      |      |      | X    | X    | X    | X    | Switch cpl. 120 V (USA)   |
| 11      | 988140-001 |      |      |      | X    | X    | X    | X    | End housing   |
|         | 988140-002 | X    | X    | X    | X    |      |      |      | End housing (for 6136-6146-6156-6120-6130 Models)                     |
| 12      | 603907-001 | X    | X    | X    | X    | X    | X    | X    | Nut   |
| 13      | 604233-001 | X    | X    | X    | X    | X    | X    | X    | Mounting bracket  |
| 14      | 603956-001 | X    | X    | X    | X    | X    | X    | X    | Tapping screw (2)   |
| 15      | 988176-001 | X    | X    | X    | X    | X    | X    | X    | Pulley  |
| 16      | 604018-002 | X    | X    | X    | X    | X    | X    | X    | Washer  |
| 17      | 604020-001 | X    | X    | X    | X    | X    | X    | X    | Screw   |
| 18      | 352745     | X    | X    | X    | X    | X    | X    | X    | Clip  |
| 19      | 604102-001 | X    | X    | X    | X    | X    | X    | X    | Switch enclosure  |
| 20      | 514732-451 | X    | X    | X    | X    | X    | X    | X    | Nut   |
| 21      | 514731-451 | X    | X    | X    | X    | X    | X    | X    | Set screw   |
| 22      | 352449     |      | X    | X    | X    | X    | X    | X    | Screw (1)   |
|         | 352449     | X    |      |      |      |      |      |      | Screw (2)   |
| 23      | 352584-452 | X    |      |      |      |      |      |      | Grammet   |
| 24      | 988275-021 | X    | X    | X    | X    |      |      |      | Foot controller 220 V (for 6136-6146-6156-6120-6130 Models)           |
|         | 988275-024 | X    | X    | X    | X    |      |      |      | Foot controller 240 V - GB (for 6136-6146-6156-6120-6130 Models)      |
|         | 988275-029 | X    | X    | X    | X    |      |      |      | Foot controller 120 V - CANADA (for 6136-6146-6156-6120-6130 Models)  |
|         | 988275-026 | X    | X    | X    | X    |      |      |      | Foot controller 240 - AUSTRALIA (for 6136-6146-6156-6120-6130 Models) |
|         | 988275-027 | X    | X    | X    | X    |      |      |      | Foot controller 120 - USA (for 6136-6146-6156-6120-6130 Models)       |
|         | 988274-051 |      |      |      | X    | X    | X    | X    | Foot controller 220 V   |
|         | 988274-055 |      |      |      | X    | X    | X    | X    | Foot controller 240 V (GB)  |
|         | 988274-064 |      |      |      | X    | X    | X    | X    | Foot controller 120 V (CANADA)  |
|         | 988274-062 |      |      |      | X    | X    | X    | X    | Foot controller 120 V (USA)   |
|         | 988274-057 |      |      |      | X    | X    | X    | X    | Foot controller 240 V (AUSTRALIA)                                     |
| 25      | 604654-010 | X    | X    | X    | X    |      |      |      | Cord cpl. 220 V (for 6136-6146-6156-6120-6130 Models)                 |
|         | 604654-016 | X    | X    | X    | X    |      |      |      | Cord cpl. 120 V Canada (for 6136-6146-6156-6120-6130 Models)          |
|         | 604654-011 | X    | X    | X    | X    |      |      |      | Cord cpl. 240 V - GB (for 6136-6146-6156-6120-6130 Models)            |
|         | 604654-014 | X    | X    | X    | X    |      |      |      | Cord cpl. 120 V - USA (for 6136-6146-6156-6120-6130 Models)           |
|         | 604874-025 |      |      |      | X    | X    | X    | X    | Cord cpl. 220 V   |
|         | 604874-023 |      |      |      | X    | X    | X    | X    | Cord cpl. 120 V - CANADA  |
|         | 604874-017 |      |      |      | X    | X    | X    | X    | Cord cpl. 240 V - GB  |
|         | 604874-021 |      |      |      | X    | X    | X    | X    | Cord cpl. 120 V - USA   |
| 26      | 604136-009 | X    | X    | X    | X    | X    | X    | X    | Motor belt  |

• Parts to be ordered directly from Bonniers

---

**MARKETING TERRITORIES (Territory Code)**

---

**A (105/115V - 220/240V.)**

Aden  
Algeria  
Angola  
Bahrain  
Bangladesh  
Benin (Dahomey)  
Burma  
Burundi  
Cambodia  
Cameroons  
Cent. Africa Empire  
Chad  
Congo (Brazzaville)  
Egyptian Arab Republic  
Ethiopia  
Fiji Islands  
Gabon  
Gambia  
Ghana  
Guam  
Guinea  
Guyana  
High Volta  
Hong Kong  
India  
Indonesia  
Iran  
Iraq  
Ivory Coast  
Jordan  
Kenya  
Kuwait  
Laos  
La Reunion  
Lebanon  
Liberia  
Libya  
Malagasy Rep.  
Malawi  
Malaysia  
Mali  
Mauritania  
Mauritius  
Morocco  
Mozambique  
Niger Repub.  
Nigeria  
North Yemen  
Pakistan  
Rhodesia  
Saudi Arabia  
Senegal  
Sierra Leone  
Singapore  
South Korea  
South Yemen  
Sri Lanka  
Sudan  
Syria  
Taiwan  
Tangiers  
Tanzania  
Thailand

Togo  
Tunisia  
Uganda  
Upper Volta  
Vietnam  
Zaire (Kinshasa)  
Zambia

---

**B (220V)**

South Africa

---

**C (220 or 240V)**

New Zealand

---

**D (240V)**

Great Britain  
(England, Scotland,  
Wales).  
Malta

---

**E (220V)**

Netherlands

---

**F (220V)**

Austria  
Belgium  
Denmark  
Finland  
Greece  
Italy  
Switzerland  
W. Germany

---

**G (120V)**

Canada  
United States

---

**H (120V + 220V)**

Argentina  
Bahamas  
Barbados  
Bermuda  
Bolivia  
Brazil  
British Honduras  
Canal Zone  
Chile  
Colombia  
Costa Rica  
Ecuador  
El Salvador  
French West Indies  
Guatemala  
Honduras Republic  
Jamaica  
Mexico  
Neth. Antilles

Nicaragua  
Panama  
Paraguay  
Peru  
Philippines  
Puerto Rico  
Surinam  
Trinidad & Tobago  
Venezuela  
Virgin Islands  
West Indies  
(Antigua, Dominica,  
Grenada, Montserrat,  
St. Christopher, Nevis  
Anguilla, St. Lucia,  
St. Vincent, St. Kitts).

---

**J 127/220V)**

Belgium Bi-Volt  
W. Germany Bi-Volt

---

**K (240V)**

Australia

---

**L (220V)**

Norway

---

**M (105V)**

Japan

---

**N 127/220V)**

France Bi-Volt  
Non mandatory  
countries Bi-Volt.

---

**O Canada (120V)**

---

**P (220V)**

Albania  
France  
Gibraltar  
Iceland  
Israel  
Jugoslavia  
Luxembourg  
Monaco  
Portugal  
Spain  
Turkey

---

**Q (240V)**

Cyprus

---

**R (220V)**

Sweden

---

**S (220V)**

Eire

---