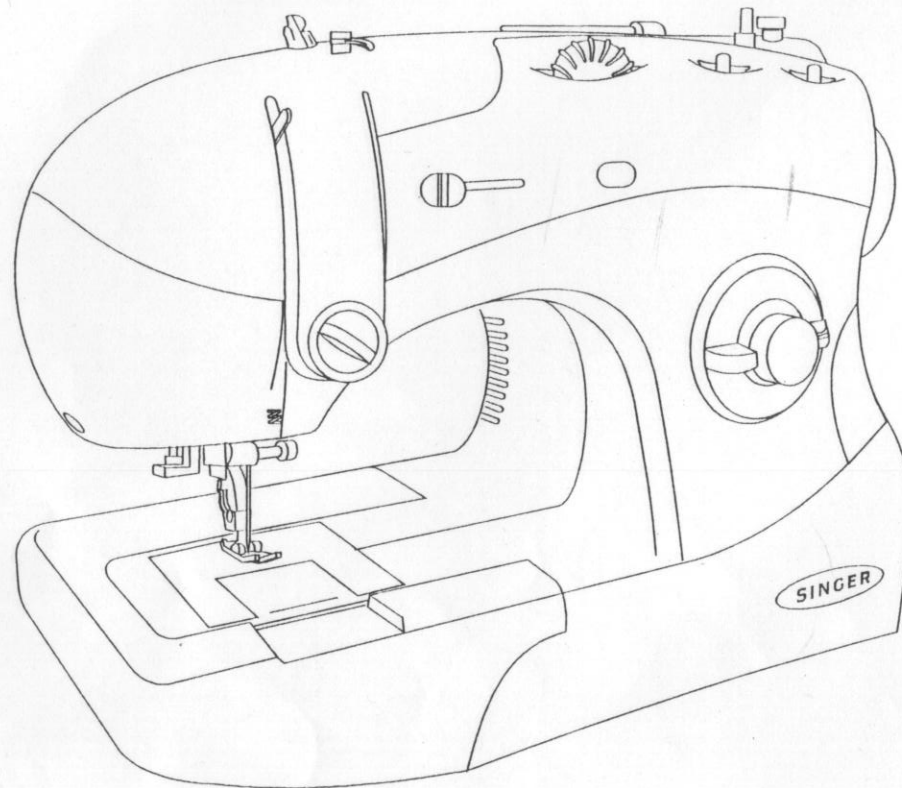


PARTS LIST

SEWING MACHINE

SINGER®

6038



THE SINGER COMPANY
© 2002 SINGER DO BRASIL
ALL RIGHTS RESERVED

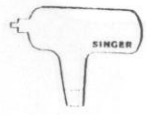
PRINTED IN BRAZIL
P/N 358086-002
2002

ATTACHMENT SET

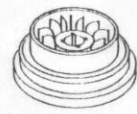
2



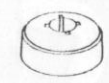
3



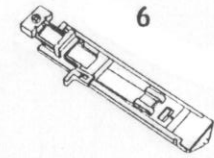
4



5



6



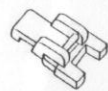
7



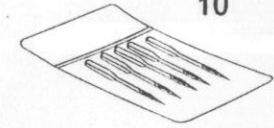
8



9



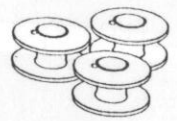
10



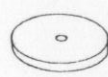
11



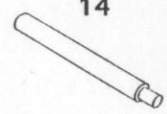
12



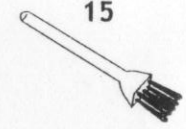
13



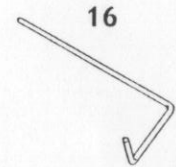
14



15



16



REV.: _____
DATE: _____

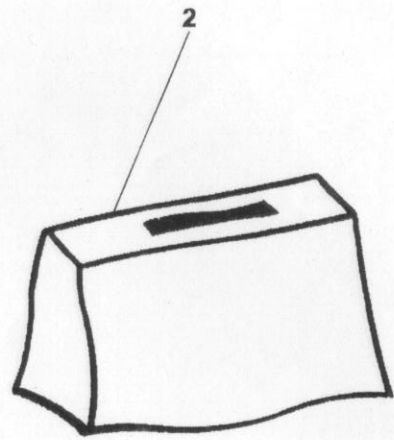
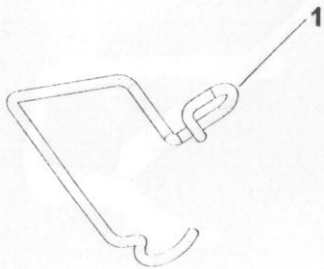
ATTACHMENT SET

REF.	PART NBR.	DESCRIPTION
1	358065-000	ATTACHMENT SET COMPLETE
2	358129-001	OIL CONTAINER
3	357306-000	SCREW DRIVER
4	507664-467	ARM TOP COVER SPOOL PIN THREAD LEAD-OFF. <i>Small</i>
5	179967-461	ARM TOP COVER SPOOL PIN THREAD LEAD-OFF. (SMALL PLASTIC) <i>LARGE</i>
6	357989-900	BUTTONHOLER PRESSER FOOT
7	357990-900	HEM STITCH PRESSER FOOT
8	357992-900	ZIPPER FOOT
9	357991-900	BUTTON SEWING PRESSER FOOT
10	353364-000	NEEDLE PACK
11	531868-000	NEEDLE PACK WITH TWIN NEEDLE (2025 SIZE 14)
12	172336-000	BOBBIN(PLASTIC)
13	8879-656	ARM SPOOL PIN WASHER (FELT)
14	356942-453	VERTICAL SPOOL PIN
15	546358-000	LINT BRUSH
16	357993-900	SEAM GUIDE

Model 6038
P/n: 358086-002

Adopted

OPTIONAL ACCESSORIES



REV: _____
DATE: _____

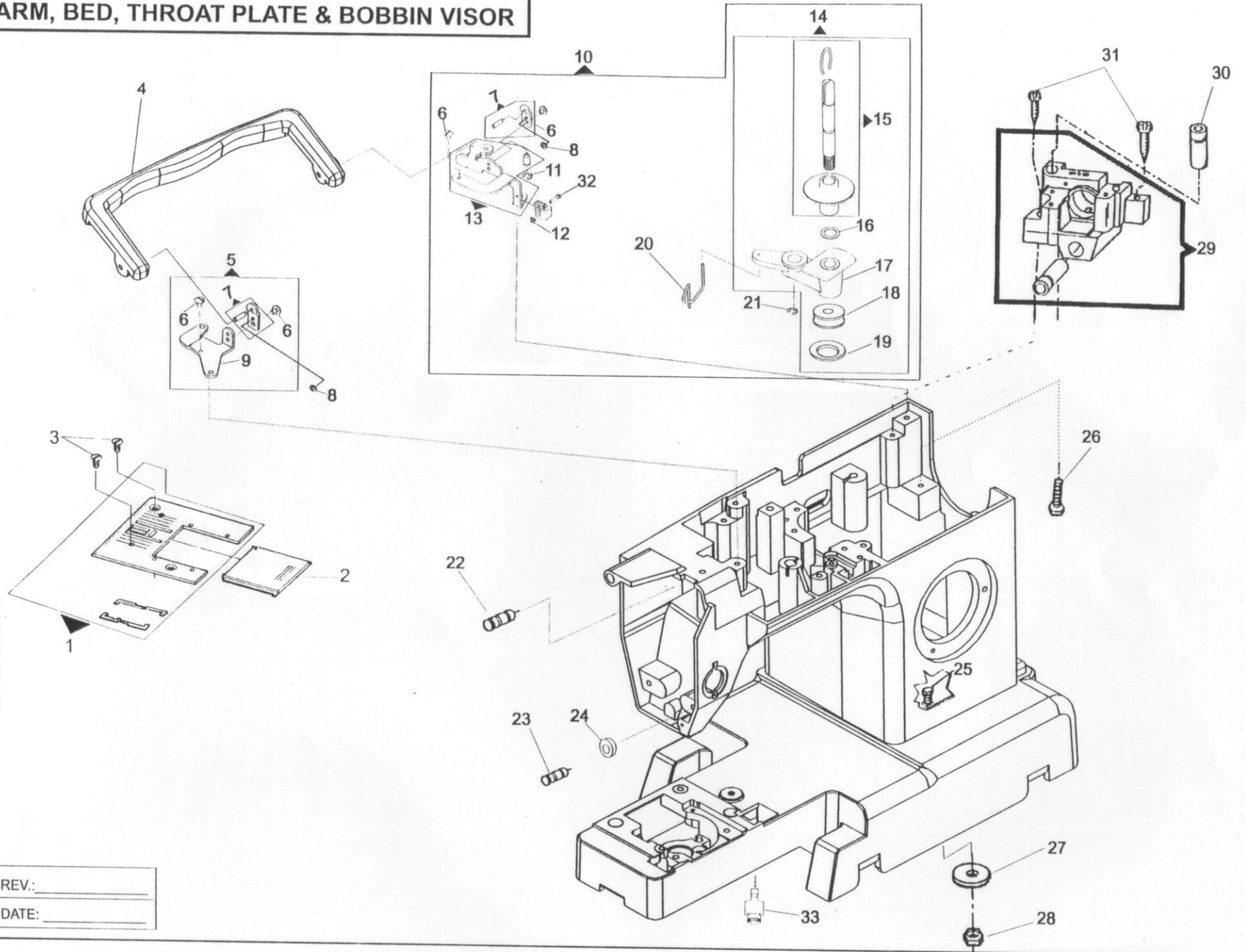
OPTIONAL ACESSORIES

REF.	PART NBR.	DESCRIPTION
1	358078-900	FINGER GUARD
2	357792-452	SOFT VINYL COVER WITH SINGER LOGO

Model 6038
P/N: 358086-002

Adopted

ARM, BED, THROAT PLATE & BOBBIN VISOR



REV.: _____
DATE: _____

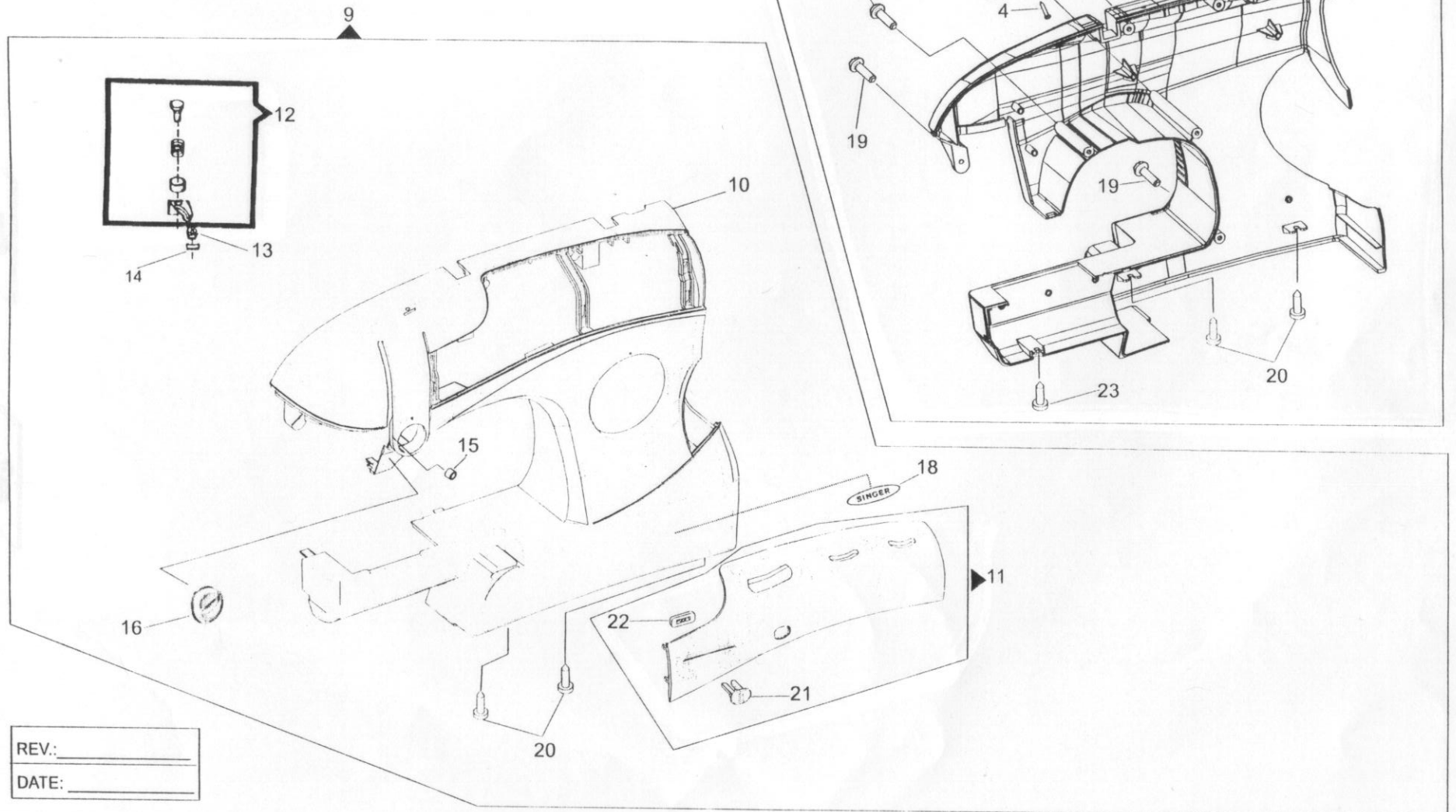
ARM, BED, THROAD PLATE & BOBBIN VISOR

REF.	PART NBR.	DESCRIPTION
1	357745-001	THROAT PLATE FOR ZIG-ZAG
2	357191-001	ROTATING HOOK BOBBIN VISOR
3	358138-451	THROAT PLATE SET SCREW
4	357974-900	MACHINE HANDLE
5	357996-000	MACHINE HANDLE MOUNTING BRACKET COMPLETE (LEFT)
6	113424-451	ARM TOP COVER HANDLE SUPPORT PROLONGER SET SCREW
7	357995-000	ARM TOP COVER HANDLE SUPPORT PROLONGER ASSEMBLY
8	446138-000	SPOOL PIN SCREW WASHER
9	357714-000	MACHINE HANDLE MOUNTING BRACKET (LEFT)
10	358000-000	MACHINE HANDLE MOUNTING BRACKET COMPLETE (RIGHT)
11	445486-000	BOBBIN WINDER RETAINING RING
12	514698-451	CONNECTING STOP SCREW NUT
13	357999-000	MACHINE HANDLE MOUNTING BRACKET ASS'Y (RIGHT)
14	357998-000	BOBBIN WINDER ASSEMBLY
15	357997-000	BOBBIN WINDER SPINDLE COMPLETE
16	931744-103	BOBBIN WINDER SPINDLE WASHER
17	357082-452	BOBBIN WINDER FRAME
18	44440-001	BOBBIN WINDER PULLEY
19	15287-01	BOBBIN WINDER FRICTION RING (RUBGER)
20	531766-000	BOBBIN WINDER HINGE STUD SPRING
21	445486-000	BOBBIN WINDER RETAINING RING
22	446375-000	THREAD TAKE-UP LEVER LINK HINGE STUD
23	357438-001	TENSION RELEASING LEVER HINGE PIN
24	357464-002	TENSION RELEASING LEVER HINGE PIN WASHER
25	355250-451	BED (BOTTON) COVER & CABINET BOLT
26	357020-451	ARM SHAFT (REAR) HOUSING MOUNTING BOLT
27	353375-451	BED (BOTTON) COVER & CABINET BOLT WASHER
28	514608-000	BED (BOTTON) COVER & CABINET BOLT NUT
29	357017-002	ARM SHAFT (REAR) HOUSING ASSEMBLY
30	357019-000	ARM TOP COVER SUPPORT STUD
31	113455-006	ARM SHAFT (REAR) HOUSING MOUNTING SCREW
32	357956-451	CONNECTING STOP SCREW
33	357808-900	DROP-IN-FEED SELECTOR LEVER ARTICULATION PIN

Model 6038
P/N: 358086-002

Adopted

COVERS

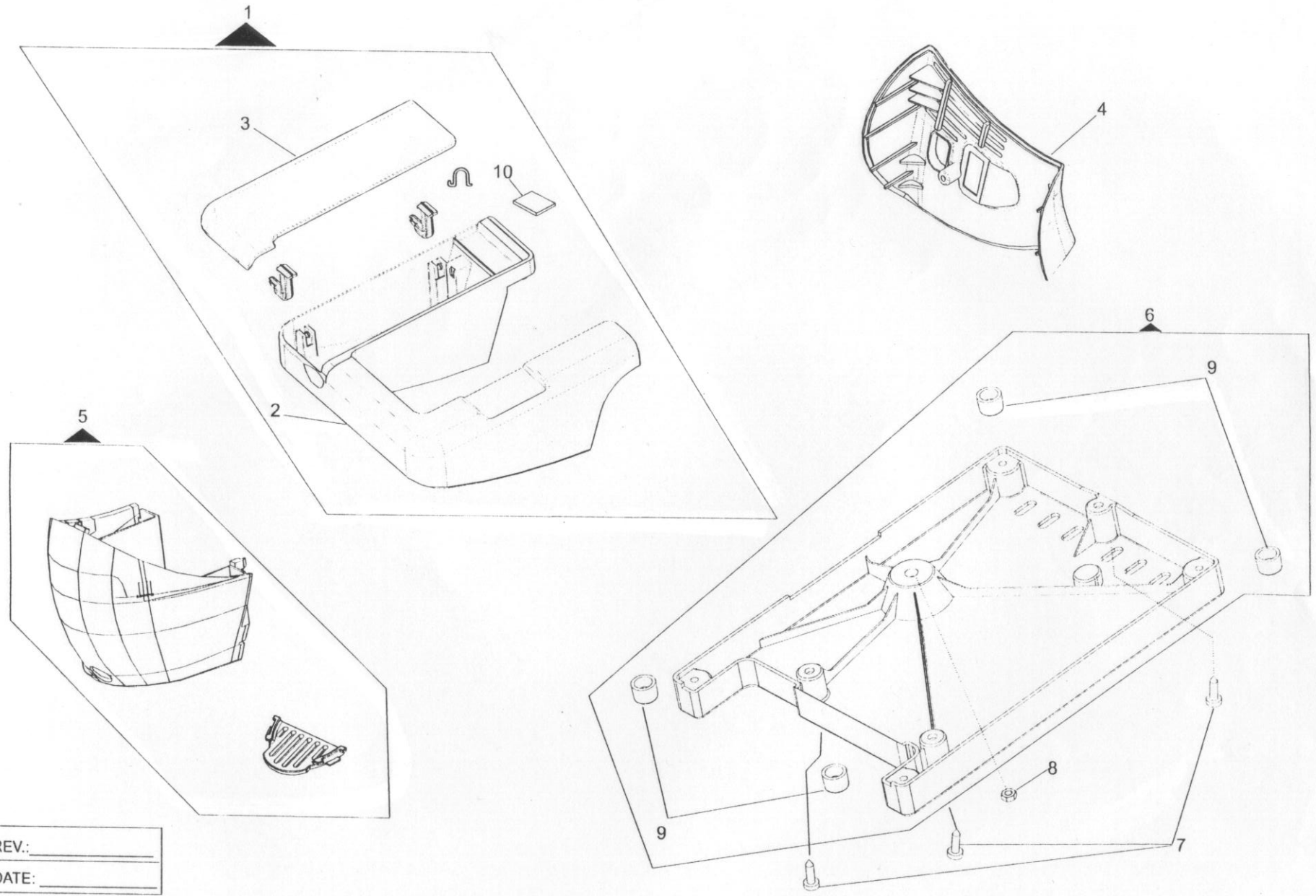


REV.: _____
DATE: _____

COVERS

REF.	PART NBR.	DESCRIPTION
1	358058-001	REAR COVER COMPLETE
2	357961-900	REAR COVER WITH GRAPHICS
3	357704-900	SPOOL PIN
4	356116-451	SPOOL PIN SCREW
5	446138-000	SPOOL PIN SCREW WASHER
6	357705-900	THREAD GUIDE
7	357718-900	BOBBIN WINDER STOP
8	113375-452	BOBBIN WINDER STOP SCREW
9	358055-001	FRONT COVER COMPLETE
10	358056-001	FRONT COVER WITH GRAPHICS
11	358057-001	CONTROL PANEL COMPLETE
12	356047-000	BOBBIN WINDER TENSION COMPLETE
13	141936-833	BOBBIN WINDER TENSION BRACKET ADJUSTING SCREW
14	44794-000	BOBBIN WINDER TENSION BRACKET ADJUSTING SCREW RETAINING CLIP
15	356127-000	RETAINING RING
16	357734-004	TENSION MECHANISM DIAL WITH GRAPHICS
17	357760-900	"SINGER" RESIN FOR REAR COVER
18	357759-900	"SINGER" RESIN FOR FRONT COVER
19	355263-451	REAR COVER MOUNTING SCREW
20	113455-001	REAR COVER SCREW
21	357944-900	BIGHT AMPLITUDE CONTROL LEVER KNOB
22	357979-900	BIGHT AMPLITUDE CONTROL LEVER KNOB RETAINING
23	354895-453	REAR COVER SCREW

OTHERS COVERS



REV.: _____
DATE: _____

OTHERS COVERS

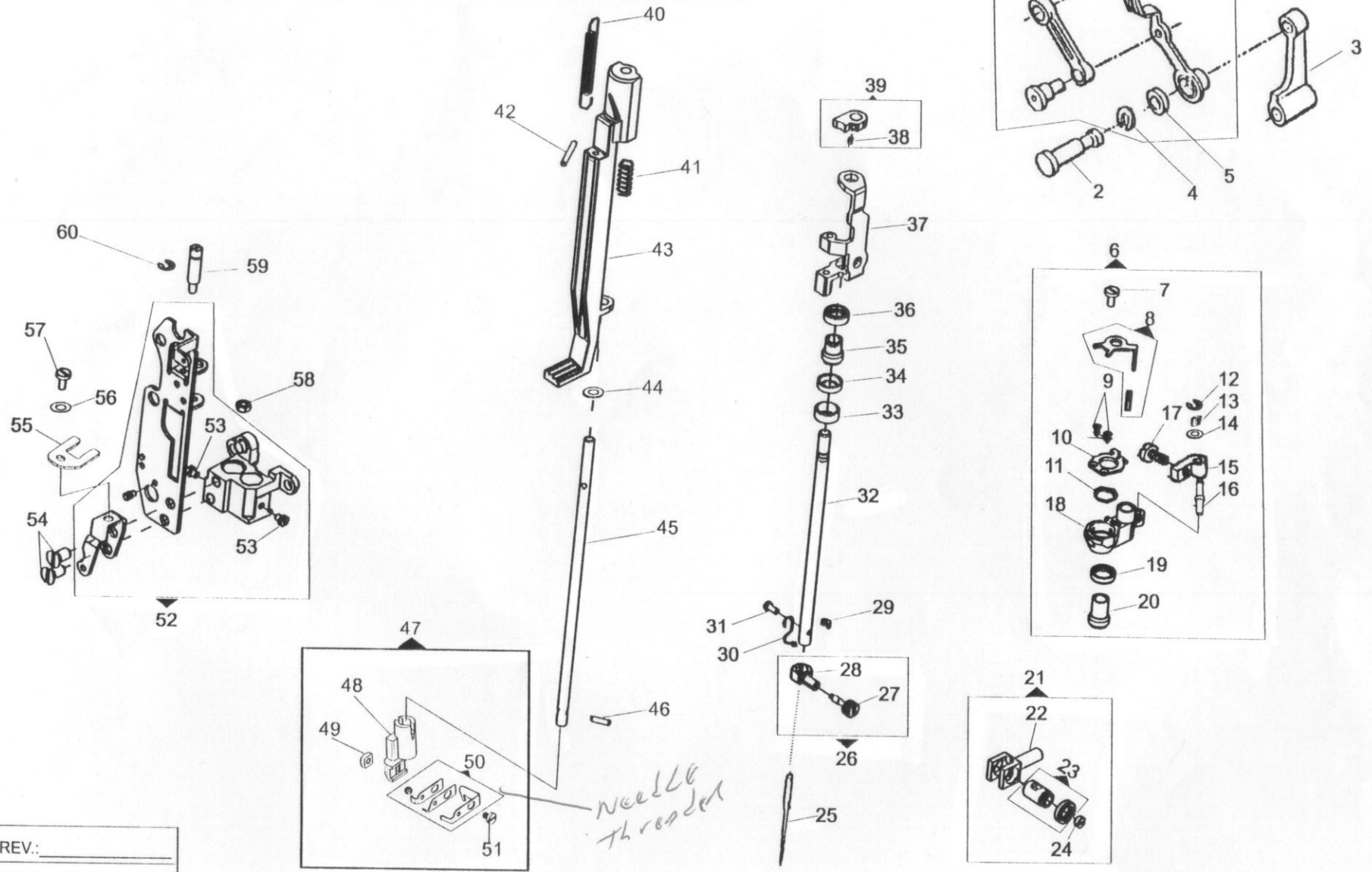
REF.	PART NBR.	DESCRIPTION
1	358062-001	BED EXTENSION COMPLETE
2	357967-900	BED EXTENSION PLATE
3	358067-001	ACCESSORIES BOX COVER ASSEMBLY
4	357964-900	ARM END COVER MOLDED
5	358093-000	FACE PLATE COMPLETE
6	357782-900	BED (BOTTOM) COVER PLASTIC WITH BED CUSHION
7	113455-001	BED (BOTTOM) COVER FASTENING SCREW
8	514608-000	BED (BOTTOM) COVER FASTENING SCREW NUT
9	357797-451	BED CUSHION
10	358082-451	ACCESSORIES BOX ADHESIVE

Model 6038

P/N: 358086-002

Adopted

NEEDLE BAR, PRESSER BAR & AUTOMATIC NEEDLE THREADER HOUSING



REV.: _____
DATE: _____

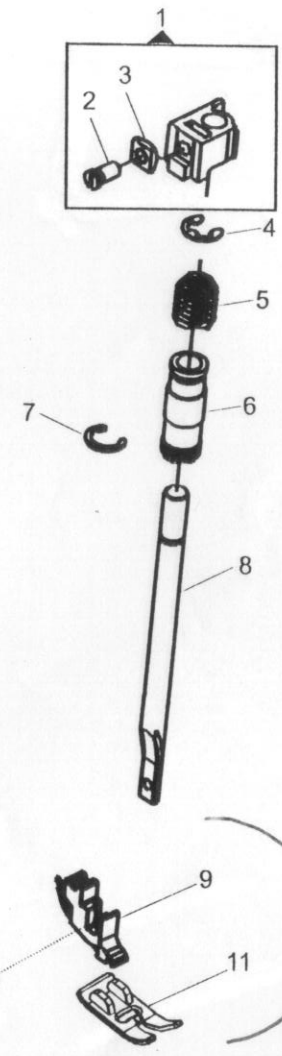
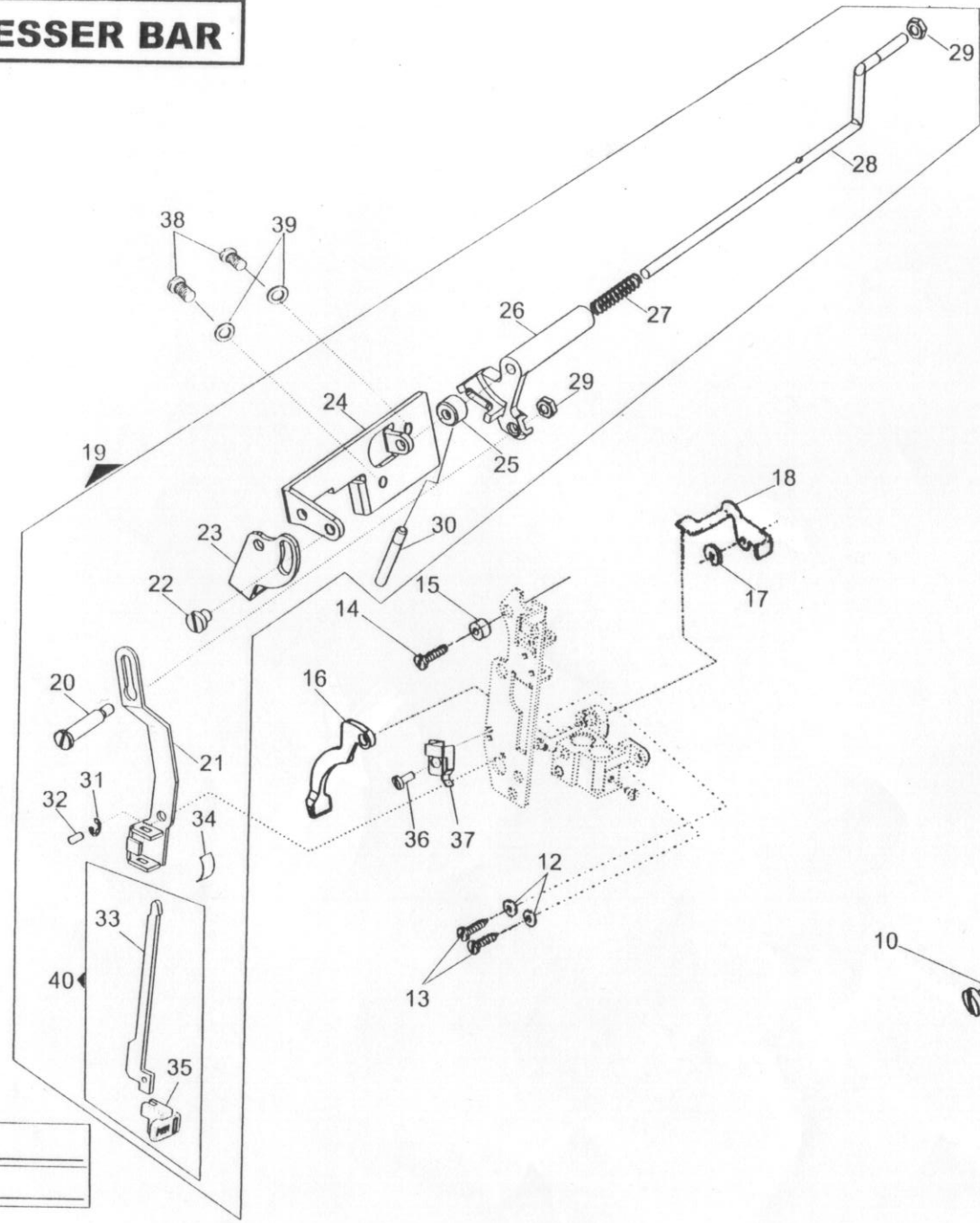
NEEDLE BAR, PRESSER BAR & THREAD TAKE-UP

REF.	PART NBR.	DESCRIPTION
1	445672-000	THREAD TAKE-UP LEVER COMPLETE
2	357788-000	THREAD TAKE-UP STUD
3	446357-000	NEEDLE BAR CONNECTING LINK
4	445486-000	THREAD TAKE-UP STUD RETAINING RING
5	543531-000	THREAD TAKE-UP STUD THRUST WASHER
6	358049-001	NEEDLE BAR VIBRATING BRACKET COMPLETE
7	354826-451	NEEDLE BAR DRIVING ARM HINGE BRACKET SCREW
8	358050-000	NEEDLE LIMITER STOP SUPPORT ASSEMBLY
9	357925-900	VIBRATING BRACKET COVER SCREW
10	357871-900	VIBRATING BRACKET COVER
11	357911-900	VIBRATING BRACKET COVER SPRING
12	179926-451	NEEDLE BAR DRIVING ARM HINGE BRACKET HINGE SPRING RETAINING RING
13	357504-000	NEEDLE BAR DRIVING ARM HINGE BRACKET HINGE PIN SPRING
14	446138-000	NEEDLE BAR DRIVING ARM HINGE BRACKET HINGE SPRING WASHER
15	357503-000	NEEDLE BAR DRIVING ARM HINGE BRACKET
16	357502-001	NEEDLE BAR DRIVING ARM HINGE BRACKET HINGE PIN
17	355272-451	NEEDLE BAR DRIVING ARM HINGE BRACKET SCREW
18	353521-000	NEEDLE BAR DRIVING ARM HINGE BRACKET
19	357615-000	NEEDLE BAR BALL BUSHING UPPER SOCKET
20	357897-900	NEEDLE BAR BALL BUSHING UPPER
21	353549-940	NEEDLE BAR CONNECTING STUD
22	358051-000	NEEDLE BAR CONNECTING STUD WITH HINGE PIN
23	358052-000	NEEDLE BAR CONNECTING STUD HINGE PIN ASSEMBLY
24	141916-833	NEEDLE BAR CLAMPING SCREW
25	<u>204514-100</u>	<u>NEEDLE 2045 - SIZE NBR. 14</u>
26	357430-001	NEEDLE CLAMP BODY WITH SCREW
27	355248-451	NEEDLE THUMB SCREW
28	357429-001	NEEDLE CLAMP BODY
29	37943-000	NEEDLE BAR GIB
30	357421-001	NEEDLE CLAMP THREAD GUIDE

↓
NEXT PAGE

31	141920-455	NEEDLE CLAMP BODY, N.C.T. GUIDE & N. STOP SCREW
32	357866-900	NEEDLE BAR
33	446361-001	NEEDLE BAR BALL BUSHING (LOWER) ADJUSTING COLLAR
34	357981-900	NEEDLE BAR BALL BUSHING SOCKET
35	357899-901	NEEDLE BAR BALL BUSHING (LOWER) MACHINED
36	357898-901	NEEDLE BAR BUSHING LOWER SOCKET
37	357870-900	NEEDLE THREADER MECHANISM SUPPORT
38	357921-900	NEEDLE THREADER STOP SCREW
39	358053-000	NEEDLE THREADER STOP ASSEMBLY
40	357913-900	NEEDLE THREADER ACTUATING SUPPORT SPRING
41	357912-900	NEEDLE THREADER ACTUATING CAM SPRING
42	357869-900	NEEDLE THREADER ACTUATING SPRING
43	357872-900	NEEDLE THREADER ACTUATING SUPPORT
44	357920-900	RUBBER RING
45	357865-900	NEEDLE THREADER SHAFT
46	358047-000	NEEDLE THREADER SHAFT ASSEMBLY
47	358071-000	NEEDLE THREADER ASSEMBLY SUPPORT COMPLETE ✖ ✗
48	357873-900	NEEDLE THREADER ASSEMBLY SUPPORT COMPLETE
49	357923-900	NEEDLE THREADER SET SCREW NUT
50	358070-000	NEEDLE THREADER HOOK ASSEMBLY
51	357922-900	NEEDLE THREADER SET SCREW
52	358043-000	NEEDLE BAR & PRESSER BAR HOUSING COMPLETE
53	354592-451	NEEDLE BAR BALL BUSHING (LOWER) COLLAR SET SCREW
54	113480-451	NEEDLE BAR & PRESSER BAR HOUSING PLATE MOUNTING SCREW
55	358091-900	NEEDLE THREADER SUPPORT GUIDE PLATE
56	358162-000	NEEDLE THREADER S. GUIDE PLATE SCREW WASHER
57	354917-451	NEEDLE THREADER S. GUIDE PLATE SCREW
58	357093-451	NEEDLE BAR VIBRATING BRACKET HINGE PIN NUT
59	446359-000	NEEDLE BAR VIBRATING BRACKET HINGE PIN
60	445721-000	NEEDLE BAR VIBRATING BRACKET HINGE PIN RETAINING RING

PRESSER BAR



357988900
COMPLETE

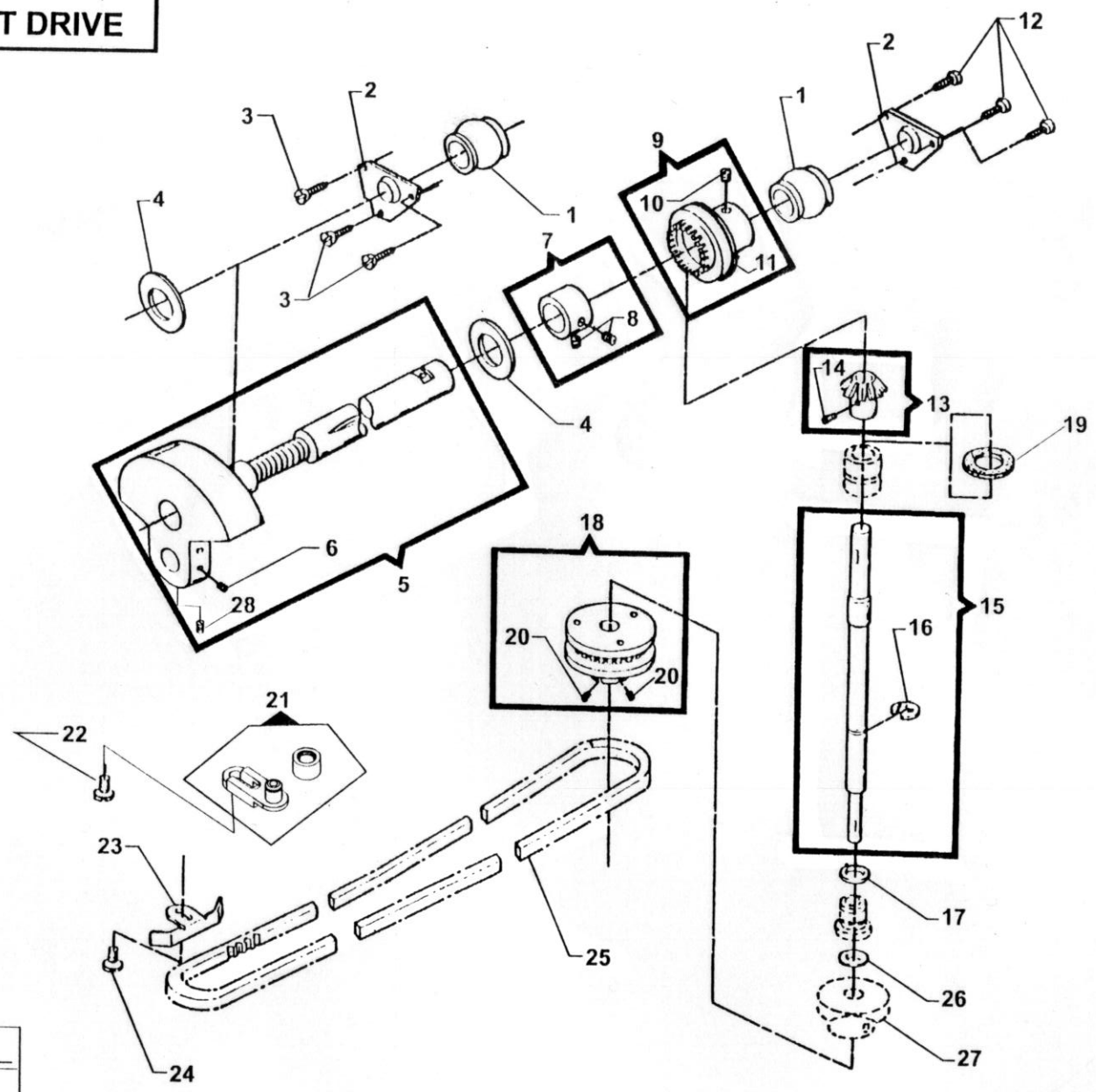
REV: _____
DATE: _____

PRESSER BAR

REF.	PART NBR.	DESCRIPTION
1	357363-000	PRESSER BAR GUIDE BRACKET ASSEMBLY
2	355279-451	PRESSER BAR GUIDE BRACKET SET SCREW
3	353367-451	PRESSER BAR GUIDE BRACKET NUT
4	353215-000	PRESSER BAR SPRING RETAINING RING (UPPER)
5	357362-000	PRESSER BAR SPRING
6	445947-001	PRESSER BAR BUSHING
7	357604-000	PRESSER BAR BUSHING LOCATING SPRING
8	357602-000	PRESSER BAR
9	357986-900	PRESSER FOOT SHANK
10	504063-451	PRESSER FOOT SHANK SCREW
11	357988-000	PRESSER FOOT (GENERAL PURPOSE)
12	353375-451	NEEDLE BAR, PRESSER BAR & VIBRATING BRACKET HOUSING MOUNTING SCREW (LOWER) WASHER
13	113434-451	NEEDLE BAR, PRESSER BAR & VIBRATING BRACKET HOUSING MOUNTING SCREW (LOWER)
14	113455-009	NEEDLE BAR, PRESSER BAR & VIBRATING BRACKET HOUSING MOUNTING SCREW (UPPER)
15	531627-000	
16	356170-451	PRESSER BAR LIFTER
17	445486-000	TENSION RELEASING LEVER RETAINING RING
18	445925-000	TENSION RELEASING LEVER
19	358040-000	ACTUATING ARM SHAFT GUIDE SUPPORT COMPLETE
20	357860-900	BUTTONHOLER ACTUATING LEVER POSITIONING CAM PIN
21	357819-900	BUTTONHOLER ACTUATING ARM
22	141913-451	ACTUATING CAM ADJUSTING SUPPORT SCREW
23	357883-900	POSITIONING CAM ADJUSTING BRACKET
24	357884-900	ACTUATING ARM SHAFT GUIDE SUPPORT
25	357852-900	POSITIONING CAM COLLAR
26	357839-900	BUTTONHOLER ACTUATING LEVER POSITIONER CAM
27	357906-900	ACTUATING ARM SHAFT SPRING
28	357917-900	ACTUATING ARM SHAFT
29	357932-900	BUTTONHOLER ACTUATING LEVER POSITIONING CAM PIN NUT
30	357851-900	POSITIONING CAM ACTUATING SCREW

31	408030-000	BUTTONHOLER ACTUATING ARM RETAINING RING
32	357850-900	ACTUATING ARM SUPPORT ARTICULATING PIN
33	357823-900	BUTTONHOLE ACTUATING LEVER
34	357905-900	BUTTONHOLER ACTUATING LEVER SPRING
35	357838-900	BUTTONHOLER ACTUATING LEVER BUTTON
36	141913-451	BUTTONHOLE ACTUATING LEVER STOP SPRING SCREW
37	357820-900	BUTTONHOLE ACTUATING LEVER STOP SPRING
38	357824-900	HEAT SHIELD
39	445539-000	WASHER
40	358039-000	BUTTONHOLER ACTUATING LEVER ASSEMBLY

ARM SHAFT DRIVE

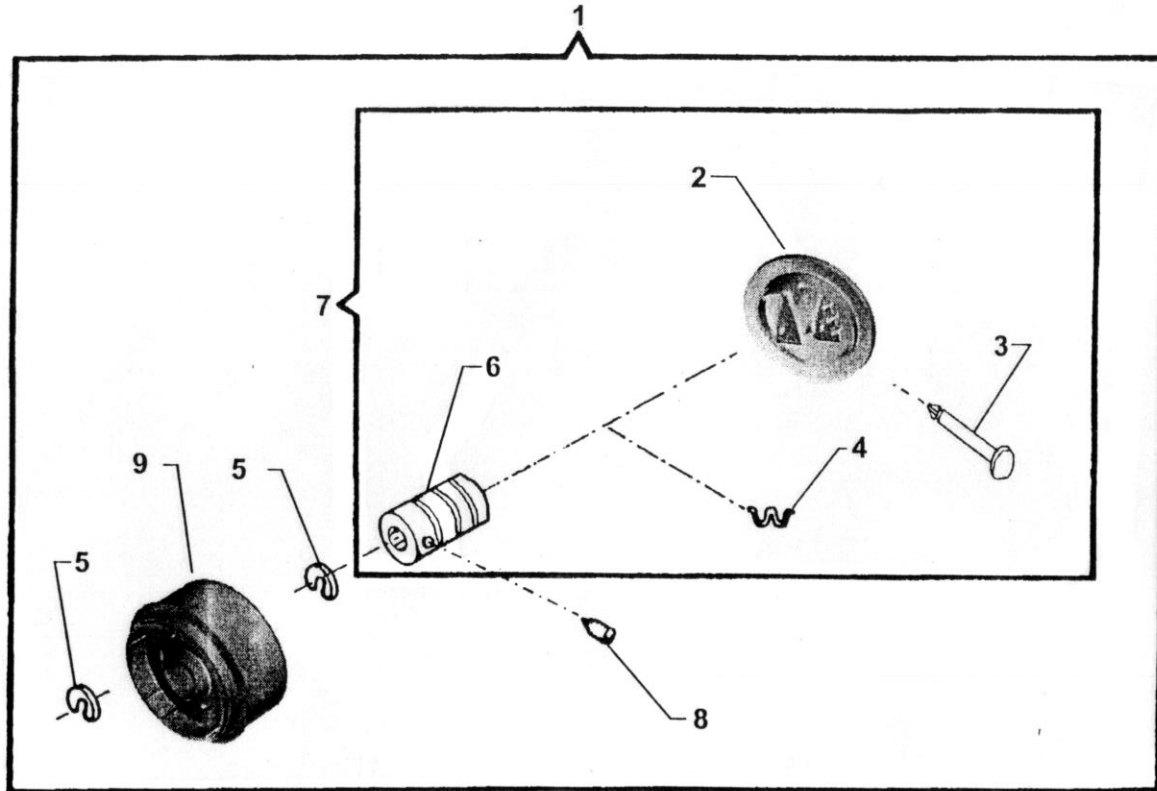


REV: _____
DATE: _____

ARM SHAFT DRIVE

REF.	PART NBR.	DESCRIPTION
1	446384	ARM SHAFT BUSHING (FRONT)
2	446385	ARM SHAFT BUSHING (FRONT) RETAINING BRACKET
3	113455-001	ARM SHAFT BUSHING (FRONT) RETAINING BRACKET SCREW
4	319764	ARM SHAFT (HORIZONTAL) RETAINING COLLAR WASHER
5	531684	ARM SHAFT COMPLETE
6	354105-833	ARM SHAFT (HORIZONTAL) RETAINING COLLAR SET SCREW
7	353580	ARM SHAFT (HORIZONTAL) BEVEL GEAR & FEED LIFTING
8	113500-451	ARM SHAFT (HORIZONTAL) BEVEL GEAR & FEED LIFTING
9	353272	ECCENTRIC SET SCREW
10	354813-451	ARM SHAFT (HORIZONTAL) BEVEL GEAR & FEED LIFTING
11	353413	ECCENTRIC WASHER (PLASTIC)
12	113455-001	ARM SHAFT BUSHING (REAR) RETAINING BRACKET SCREW
13	353273-002	ARM SHAFT (UPRIGHT) BEVEL GEAR (PLASTIC)
14	354105-833	ARM SHAFT (UPRIGHT) BEVEL GEAR SET SCREW
15	179952-002	ARM SHAFT (UPRIGHT) ASSEMBLY
16	353215	ARM SHAFT (UPRIGHT) RETAINING RING
17	353394	ARM SHAFT (UPRIGHT) RETAINING RING WASHER
18	353438-001	ARM SHAFT (UPRIGHT) BELT DRIVE PULLEY ASSEMBLY COMPLETE
19	356819	ARM SHAFT (UPRIGHT) FELT WASHER
20	354906-451	ARM SHAFT (UPRIGHT) BELT DRIVE PULLEY RETAINING COLLAR
21	358081-001	ROTATING HOOK DRIVE BELT TENSION ADJUSTER
22	113453-003	ROTATING HOOK DRIVE BELT TENSIONER SCREW
23	446376	BELT RETAINER (LEFT)
24	113455-001	BELT RETAINER (LEFT) SCREW
25	446237	BELT (ROTATING HOOK DRIVE)
26	319826	ARM SHAFT (UPRIGHT) BELT DRIVE PULLEY WASHER
27	446228-000	FEED LIFTING CAME COMPLETE
28	141916-833	THREAD TAKE- UP SET SCREW

HAND WHEEL



REV.: _____
DATE: _____

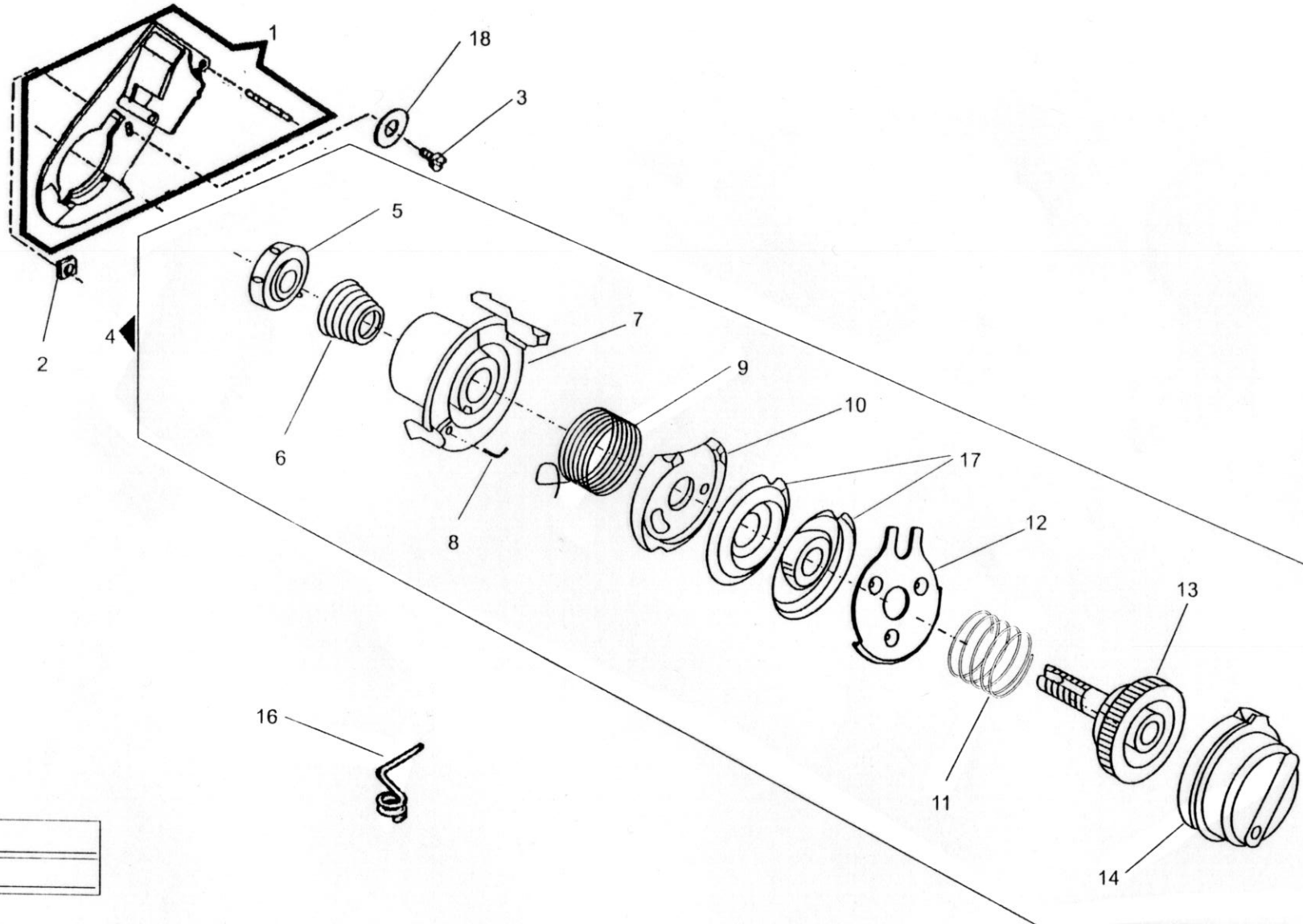
HAND WHEEL

REF.	PAR NBR.	DESCRIPTION
1	357737-001	HAND WHEEL COMPLETE
2	357708-900	HAND WHEEL DISENGAGING CLUTCH ENGAGING PLATE COVER
3	357364-000	HAND WHEEL DISENGAGING CLUTCH ENGAGING PLATE HINGE PIN
4	357365-000	HAND WHEEL DISENGAGING CLUTCH ACTUATING SPRING
5	446387-000	HAND WHEEL RETAINING RING (TREADLE/ELECTRIC)
6	357359-000	HAND WHEEL DISENGAGING CLUTCH BUSHING
7	357744-001	HAND WHEEL DISENGAGING CLUTCH BUSHING COMPLETE
8	354813-451	HAND WHEEL DISENGAGING CLUTCH BUSHING SCREW
9	357709-900	HAND WHEEL (PLASTIC)

Model 6038
P/N: 358086-002

Adopted

TENSION MECHANISM



REV.: _____
DATE: _____

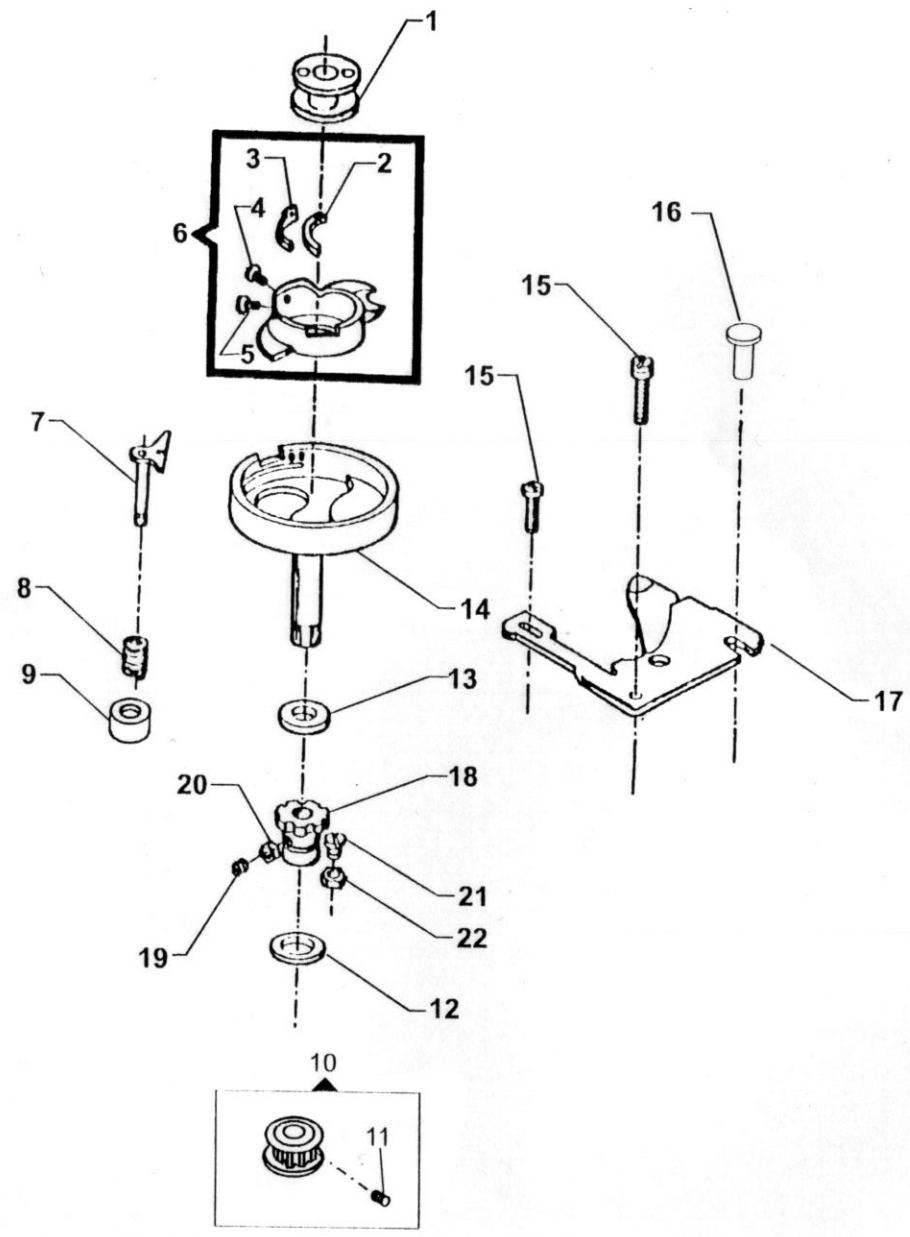
TENSION MECHANISM

REF.	PART NBR.	DESCRIPTION
1	357748-001	TENSION MECHANISM SHROUDER ASSEMBLY
2	514698-451	TENSION MECHANISM SHROUDER SCREW NUT
3	141808-457	TENSION MECHANISM SHROUDER SCREW
4	356088-457	TENSION MECHANISM ASSEMBLY
5	356095-000	TENSION STUD NUT
6	356096-000	TENSION SPRING
7	356089-000	TENSION MECHANISM SUPPORT
8	356246-900	TENSION MECHANISM SUPPORT PIN
9	356097-000	THREAD TAKE-UP SPRING
10	356091-000	THREAD TAKE-UP SPRING THREAD GUARD
11	358123-900	TENSION DISC PRESSURE PLATE SPRING
12	358124-900	TENSION DISC PRESSURE PLATE
13	356092-451	TENSION INDICATOR WITH STUD
14	357734-004	TENSION INDICATOR DIAL
15	356245-000	TENSION MECHANISM SUPORT ASSEMBLY
16	445784-000	THREAD GUIDE (LOWER)
17	356094-000	TENSION DISC
18	356443-000	TENSION MECHANISM SHROUDER WASHER

Model 6038
P/N: 358086-002

Adopted

HOOK SYSTEM

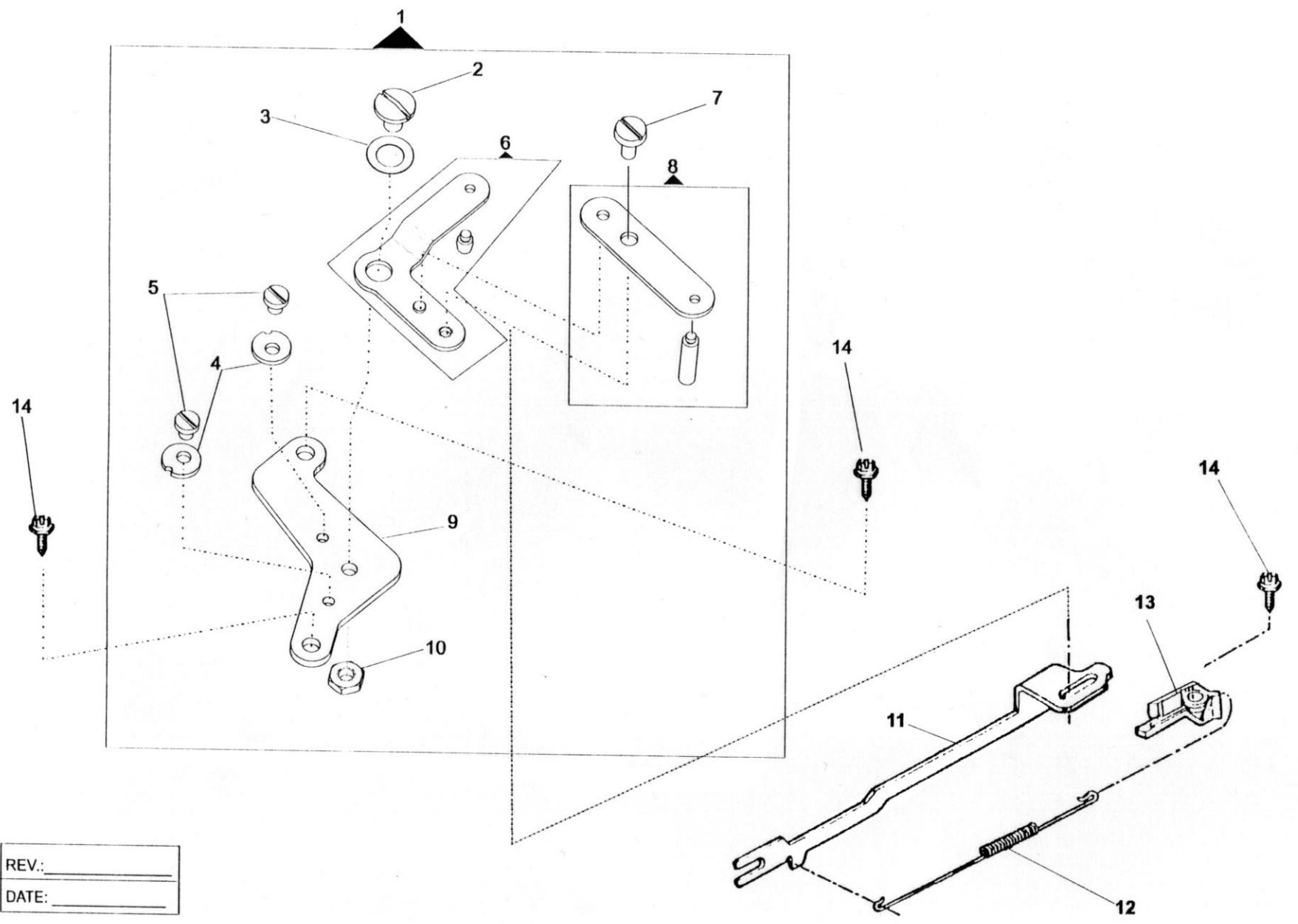


REV: _____
DATE: _____

HOOK SYSTEM

REF.	PART NBR.	DESCRIPTION
1	172336-000	ROTATING HOOK BOBBIN (PLASTIC)
2	356490-451	ROTATING HOOK BOBBIN CASE TENSION SPRING SEGMENT
3	314715-000	ROTATING HOOK BOBBIN CASE TENSION SPRING
4	355254-451	ROTATING HOOK BOBBIN CASE TENSION REGULATING SCREW
5	139975-452	ROTATING HOOK BOBBIN CASE TENSION SPRING SEG.SCREW
6	421325-000	ROTATING HOOK BOBBIN CASE
7	358021-000	ROTATING HOOK BOBBIN CASE RETAINING PLATE ASSEMBLY
8	358018-900	BOBBIN CASE RETAINING SPRING
9	358019-900	BOBBIN CASE RETAINING RING
10	446235-000	ROTATING HOOK BELT DRIVE PULLEY
11	141803-451	ROTATING HOOK BELT DRIVE PULLEY SCREW
12	382861-906	ROTATING HOOK BELT DRIVE PULLEY WASHER
13	353453-000	ROTATING HOOK WEAR WASHER
14	353366-000	ROTATING HOOK COMPLETE
15	354917-451	ROTATING HOOK BOBBIN CASE POSITION PLATE SCREW
16	357349-451	ROTATING HOOK BOBBIN CASE RETAINING PLATE (ADJUSTABLE & POSITION PLATE) STUD
17	44873-001	ROTATING HOOK BOBBIN CASE POSITION PLATE
18	353410-900	ROTATING HOOK BUSHING
19	141938-833	ROTATING HOOK BUSHING SET SCREW
20	353367-451	ROTATING HOOK BUSHING SET SCREW NUT
21	141844-451	ROTATING HOOK BUSHING ADJUSTING SCREW
22	618638-005	ROTATING HOOK BUSHING ADJUSTING SCREW NUT

BIGHT AMPLITUDE

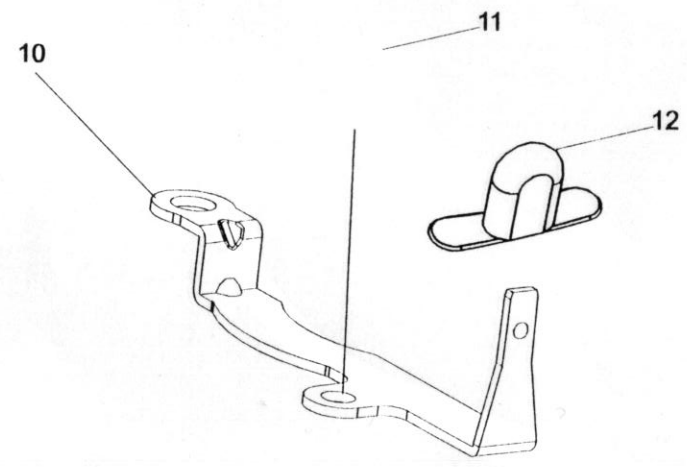
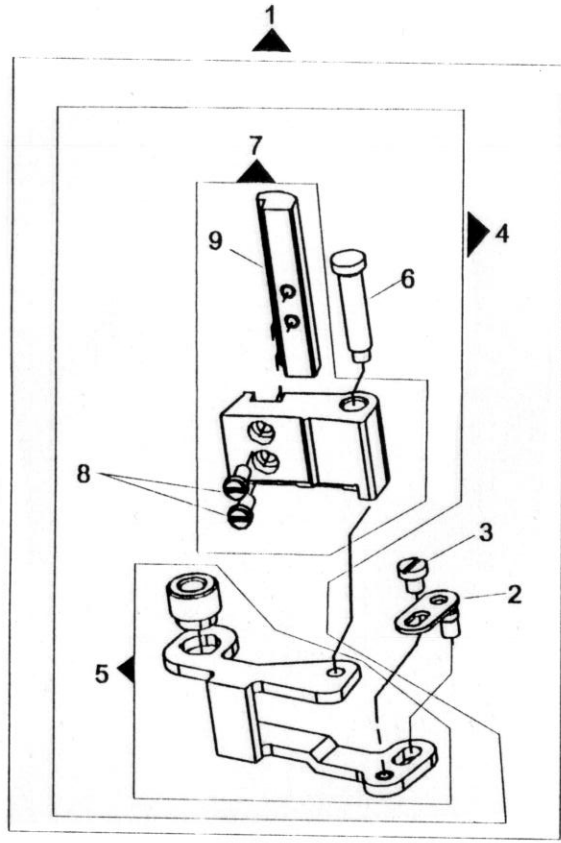


REV.: _____
DATE: _____

BIGHT AMPLITUDE

REF.	PART NBR.	DESCRIPTION
01	358074-000	BIGHT AMPLITUDE CONTROL LEVER MOUNTING BRACKET COMPLETE
02	354825-451	BIGHT AMPLITUDE CONTROL LEVER LINK HINGE SCREW
03	49204-000	BIGHT AMPLITUDE CONTROL LEVER LINK HINGE SCREW NUT
04	446904-000	BIGHT AMPLITUDE CONTROL LEVER LINK STOP
05	141913-451	BIGHT AMPLITUDE CONTROL LEVER LINK STOP SCREW
06	37246-000	BIGHT AMPLITUDE CONTROL LEVER LINK
07	354826-451	BIGHT AMPLITUDE CONTROL LEVER LINK SCREW
08	358072-000	BIGHT AMPLITUDE CONTROL LEVER ASSEMBLY
09	531793-000	BIGHT AMPLITUDE CONTROL LEVER MOUNTING BRACKET
10	54591-451	BIGHT AMPLITUDE CONTROL LEVER LINK HINGE SCREW NUT
11	37933-002	NEEDLE BAR DRIVING ARM
12	357976-900	NEEDLE BAR DRIVING ARM TENSION SPRING
13	445780-000	LIGHT LEAD SHIELD & NEEDLE BAR DRIVING ARM TENSION SPRING MOUNTING PLATE
14	113455-001	LIGHT LEAD SHIELD & NEEDLE BAR DRIVING ARM TENSION SPRING MOUNTING PLATE SCREW

NEEDLE POSITION

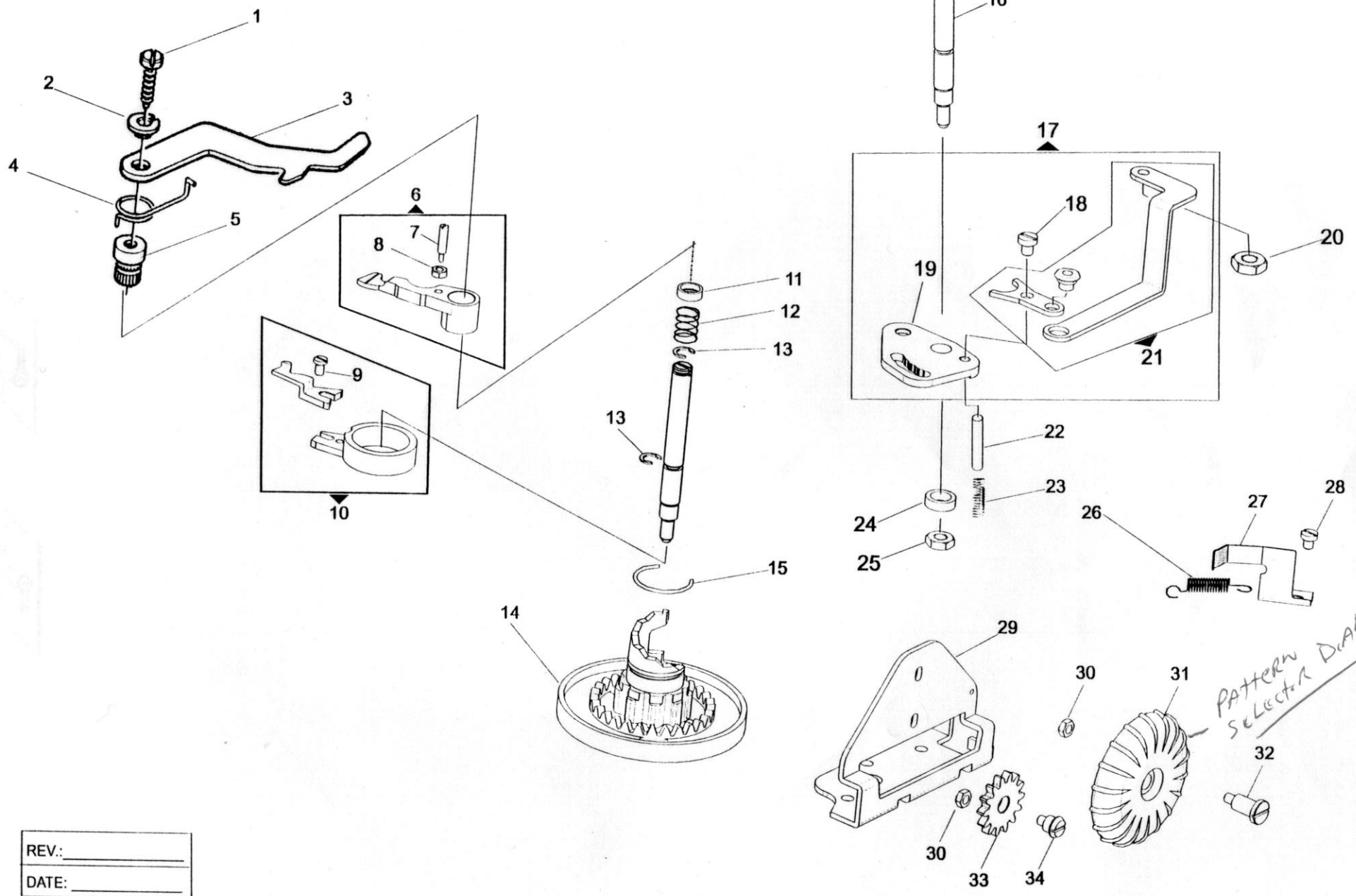


REV: _____
DATE: _____

NEEDLE POSITION

REF.	PART NBR.	DESCRIPTION
01	358014-000	NEEDLE BAR DRIVING ARM SLIDE BRACKET COMPLETE
02	531736-000	NEEDLE POSITION SELECTOR LEVER BRACKET FOLLOWER STUD ARM ASSEMBLY
03	141913-451	NEEDLE POSITION SELECTOR LEVER BRACKET FOLLOWER STUD ARM ASSEMBLY
04	358013-000	NEEDLE BAR DRIVING ARM SLIDE BRACKET ASSEMBLY
05	356736-901	NEEDLE BAR DRIVING ARM SLIDE BRACKET SUB-ASSEMBLY
06	356642-900	NEEDLE BAR DRIVING ARM SLIDE ARTICULATION PIN
07	358012-000	NEEDLE BAR DRIVING ARM SLIDE ASSEMBLY
08	141920-451	NEEDLE BAR ARM SLIDE ARM SCREW
09	357958-901	NEEDLE POSITION SELECTOR LEVER BRACKET ASSEMBLY
10	357938-900	NEEDLE POSITION LEVER
11	357975-900	NEEDLE POSITION LEVER ADJUSTING ECCENTRIC SCREW
12	357940-900	NEEDLE POSITION LEVER KNOB

PATTERN SELECTOR



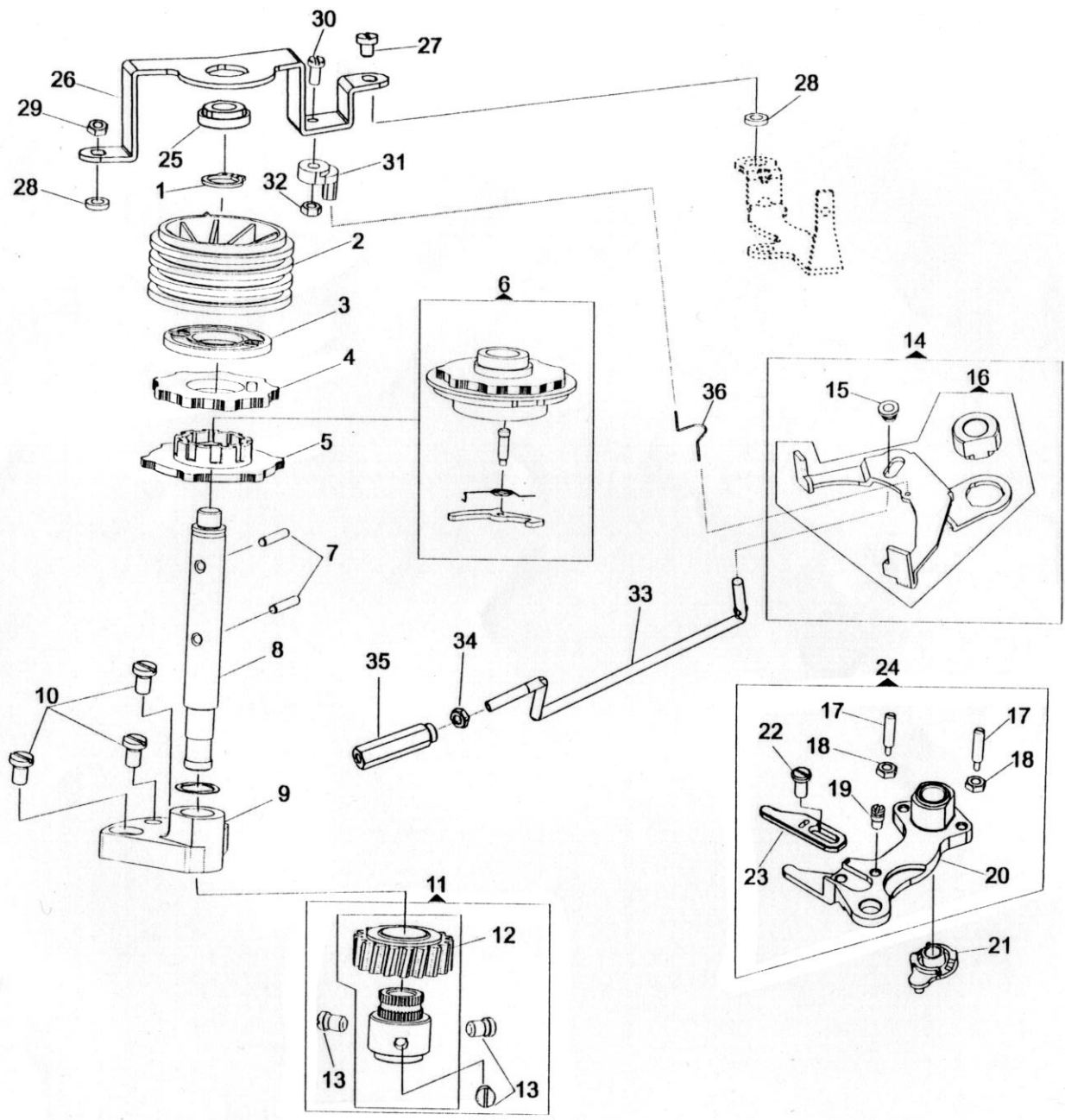
REV.: _____
DATE: _____

PATTERN SELECTOR DIAL

PATTERN SELECTOR

REF.	PART NBR.	DESCRIPTION
01	354826-451	DISC FOLLOWER DISENGAGING LEVER SCREW
02	356751-000	DISC FOLLOWER DISENGAGING LEVER BUSHING
03	356750-000	DISC FOLLOWER DISENGAGING LEVER
04	356752-000	DISC FOLLOWER DISENGAGING LEVER SPRING
05	357000-000	DISC FOLLOWER DISENGAGING LEVER STUD
06	358009-000	DISC FOLLOWER COMPLETE
07	445341-000	DISC FOLLOWER HEIGHT ADJUSTING SCREW
08	357932-900	DISC FOLLOWER HEIGHT ADJUSTING SCREW NUT
09	355235-451	BUTTONHOLER DISC FOLLOWER SCREW
10	358008-000	BUTTONHOLER DISC FOLLOWER COMPLETE
11	353548-000	DISC FOLLOWER STUD WASHER
12	357902-900	DISC FOLLOWER SPRING
13	603908-001	DISC SELECTOR CAM RETAINING RING
14	358011-900	PATTERN SELECTOR CAM WITH GRAPHICS
15	357927-900	BUTTONHOLER DISC FOLLOWER RETAINING RING
16	357844-900	DISC FOLLOWER AND DISC SELECTOR HINGE STUD
17	358007-000	NEEDLE POSITION SELECTOR LEVER BRACKET ASSEMBLY
18	141913-451	DISC STACK ACTUATING SPRING SETTING SCREW
19	353547-000	NEEDLE POSITION SELECTOR LEVER BRACKET
20	357932-900	DISC FOLLOWER HEIGHT ADJUSTING SCREW NUT
21	358006-000	NEEDLE POSITION EXTENSION LEVER ASSEMBLY
22	356228-000	NEEDLE POSITION SELECTOR LEVER BRACKET POSITIONING PIN
23	444800-000	NEEDLE POSITION SELECTOR LEVER BRACKET POSITIONING PIN SPRING
24	353585-000	DISC FOLLOWER STUD COLLAR
25	54591-451	NEEDLE POSITION SELECTOR LEVER ADJUSTING PLATE SCREW NUT
26	357901-900	BUTTONHOLER DISC FOLLOWER ACTUATING SPRING
27	357915-900	DISC STACK ACTUATING SPRING
28	141913-451	DISC STACK ACTUATING SPRING SETTING SCREW
29	357918-900	NEEDLE POSITION SELECTOR MOUNTING PLATE
30	618638-005	VERTICAL DRIVING GEAR SHAFT NUT
31	357933-900	VERTICAL DRIVING PATTERN SELECTOR DIAL
32	357934-900	VERTICAL PATTERN SELECTOR DIAL DRIVING GEAR PIN
33	357936-900	SELECTOR DRIVING GEAR
34	357935-900	VERTICAL DRIVING GEAR SHAFT

CAM STACK



REV.: _____
DATE: _____

CAM STACK

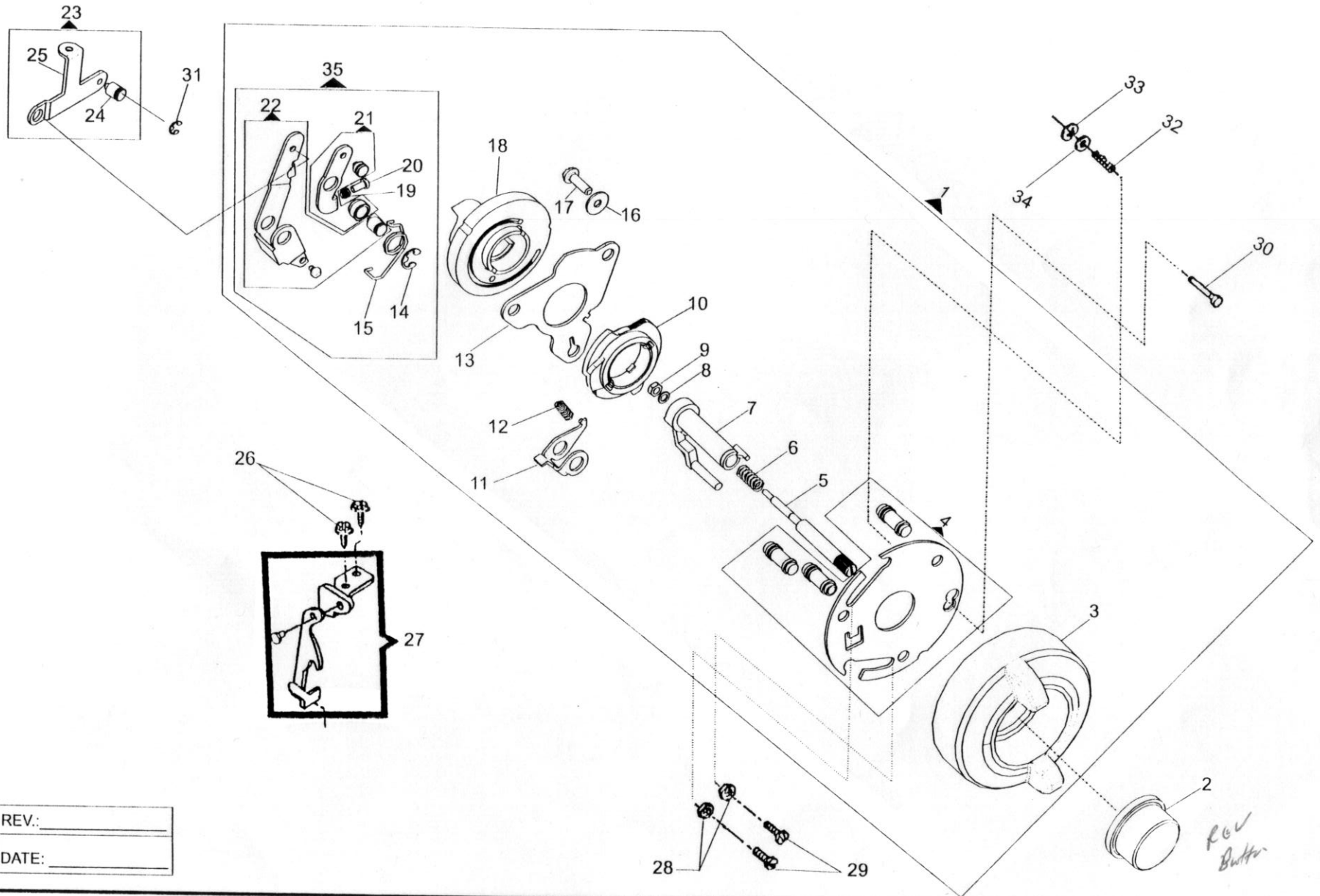
REF.	PART NBR.	DESCRIPTION
01	357929-900	DISC STACK RETAINING RING
02	357837-900	DISC STACK RETAINING RING
03	357836-900	DRIVING DISC
04	357835-900	BUTTONHOLER (LEGS) DISC
05	357833-900	CAM CONTROLLED FEED DISC
06	357946-000	BUTTONHOLER ZIG-ZAG AND FEED CONT. DISC ASSEMBLY
07	357848-900	DISC STACK DRAG RING
08	357849-900	CCF DRAG PIN
09	357889-900	DISC DRIVING GEAR SHAFT MOUNTING SUPPORT
10	113455-012	DISC DRIVING GEAR SHAFT MOUNTING PLATE SCREW
11	357947-000	DISC DRIVING GEAR SHAFT ASSEMBLY
12	357832-900	DISC STACK DRIVING GEAR (WITH INSERT)
13	357928-451	DISC STACK DRIVING GEAR SET SCREW
14	358023-000	BUTTONHOLER ENGAGING AND DISENGAGING LEVER COMPLETE
15	357840-900	CONNECTING ARM GUIDE BUSHING
16	358022-000	BUTTONHOLER ENGAGING AND DISENGAGING LEVER ASSEMBLY
17	445341-000	DISC FOLLOWER HEIGHT ADJUSTING SCREW
18	357932-900	DISC FOLLOWER ADJUSTING SCREW NUT
19	357861-900	CCF FOLLOWER SPRING ENGAGING PIN
20	358088-901	CAM CONTROLLED FEED FOLLOWER (MACHINED)
21	357831-900	CCF FOLLOWER SELECTOR HEIGHT
22	354917-451	NEEDLE THREADER S. GUIDE PLATE SCREW
23	358087-900	CCF BUTTONHOLER FOLLOWER
24	358089-001	CAM CONTROLLED FEED FOLLOWER ASSEMBLY
25	357890-900	DISC STACK SHAFT DRIVING BUSHING
26	357815-900	DISC STACK GUIDE BUSHING SUPPORT
27	354133-453	DISC STACK GUIDE BUSHING SUPPORT SCREW
28	446904-000	BIGHT AMPLITUDE CONTROL LEVER LINK STOP
29	618638-005	VERTICAL DRIVING GEAR SHAFT NUT

Model 6038
P/N: 358086-002

Adopted

31	408030-000	BUTTONHOLER ACTUATING ARM RETAINING RING
32	357850-900	ACTUATING ARM SUPPORT ARTICULATING PIN
33	357823-900	BUTTONHOLER ACTUATING LEVER
34	357905-900	BUTTONHOLER ACTUATING LEVER SPRING
35	357838-900	BUTTONHOLER ACTUATING LEVER BUTTON
36	141913-451	ACTUATING CAM ADJUSTING SUPPORT SCREW
37	357820-900	BUTTONHOLE ACTUATING LEVER STOP SPRING
38	354826-451	NEEDLE LIMITER STOP SUPPORT SCREW
39	445539-000	WASHER
40	358039-000	BUTTONHOLER ACTUATING LEVER ASSEMBLY

BUTTONHOLER & FEED REGULATOR CAM



REV: _____
DATE: _____

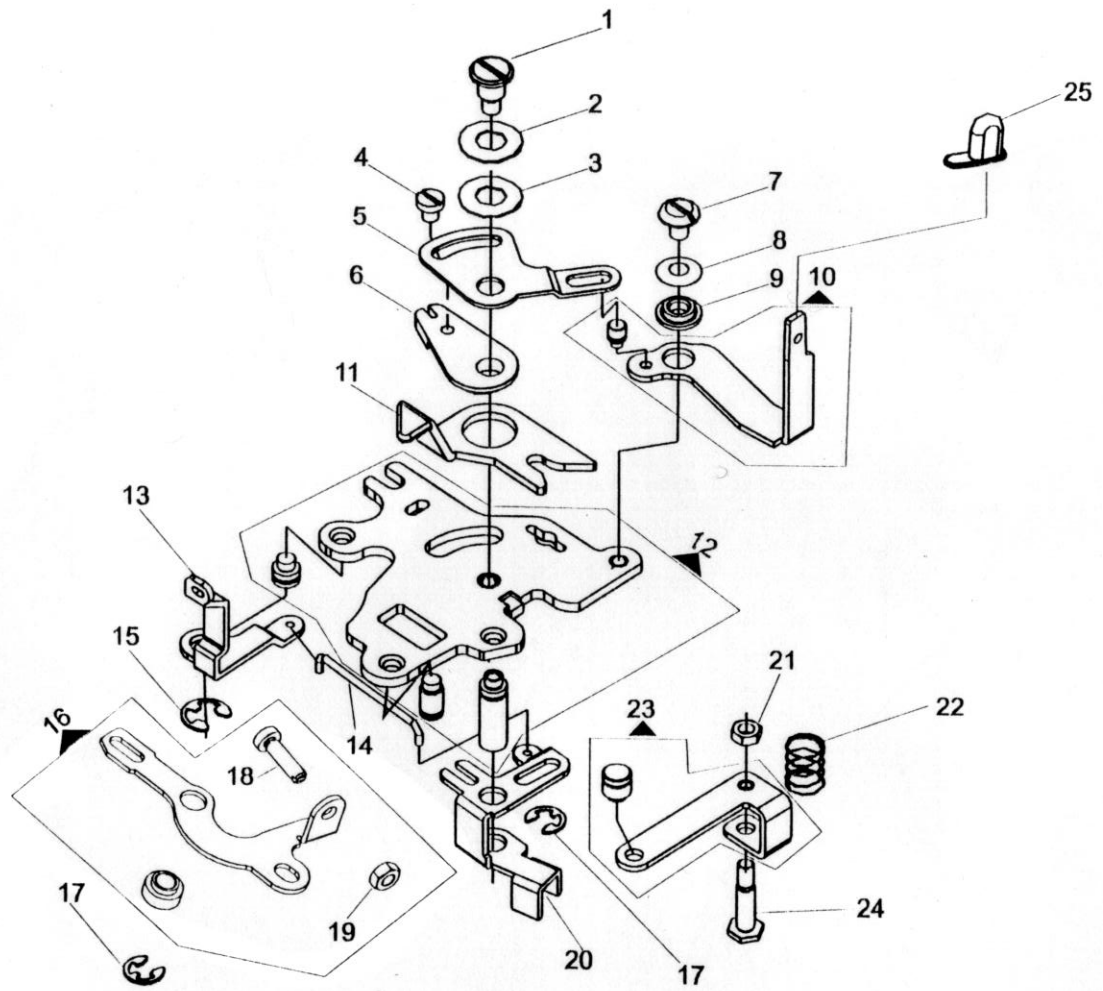
REV
Button

BUTTONHOLER AND FEED REGULATOR CAM

REF.	PART NBR.	DESCRIPTION
01	358035-000	BUTTONHOLER & FEED REGULATOR CAM COMPLETE
02	357736-XXX ⁰⁰⁴	FEED REGULATOR POSITIONING PIN KNOB WITH GRAPHICS
03	357966-001	BUTTONHOLER & FEED REG. DIAL WITH GRAPHICS
04	356826-901	FEED REGULATOR MECHANISM MOUNTING PLATE COMPLETE
05	356650-000	FEED REGULATOR POSITIONING PIN
06	44892-000	FEED REGULATOR POSITIONING PIN SPRING
07	357094-000	FEED REGULATOR POSITIONING PIN CARRIER
08	356830-001	FEED REGULATOR POSITIONING PIN WASHER
09	618638-005	FEED REGULATOR POSITIONING PIN CARRIER NUT
10	357830-900	CAM CONTROLLED FEED ENGAGING CAM
11	445933-900	FEED REGULATOR DIAL RETAINING BRACKET
12	353495-000	BUTTONHOLER & FEED REG. CONTROL DIAL PAWL SPRING
13	353310-900	FEED REGULATOR CAM MOUNTING PLATE
14	445486-000	CAM FOLLOWER LEVER RETAINING RING
15	357907-900	CAM CONTROLLED FEED CONNECTING ARM SPRING
16	445539-000	CAM CONTROLLED FEED ENGAGING CAM FOLLOWER & LEVER WASHER
17	113372-451	CAM CONTROLLED FEED & LEVER MOUNTING SCREW
18	357829-900	BUTTONHOLER & STITCH LENGTH CAM
19	357896-900	CAM FEED LEVER CONN. ARM POSITIONING SPRING
20	141920-451	SPRING SUPPORT SCREW
21	358030-000	FEED C.F. CONNECTING ARM ASSEMBLY
22	358032-000	FEED CAM FOLLOWER LEVER ASSEMBLY
23	358037-000	FEED CAM FOLLOWER LEVER CONNECTING LINK ASSEMBLY
24	357856-900	CONNECTING ARM BUSHING ARTICULATION PIN
25	357811-900	FEED CAM FOLLOWER LEVER CONNECTING LINK
26	113455-001	FEED REGULATOR CONTROL ARM SCREW
27	353304-000	FEED REGULATOR CONTROL ARM ASSEMBLY

28	53640-819	BUTTONHOLER & FEED REG. MECH. MOUNTING PLATE SCREW NUT
29	113513-451	BUTTONHOLER & FEED REG. MECH. MOUNTING PLATE SCREW
30	356230-000	BUTTONHOLER & FEED REGULATOR MECH. MOUNTING PLATE STUD
31	445486-000	
32	179949-000	BUTTONHOLER & FEED REG. MECH. MTG. PLATE STUD SPRING
33	408030-000	BUTTONHOLER & FEED REG. MECH. MTG. PLATE STUD RET. RING
34	445808-000	BUTTONHOLER & FEED REG. MECH. MTG. PLATE STUD SPRING WASHER
35	358034-000	FEED CAM FOLLOWER LEVER COMPLETE

CAM CONTROLLED FEED

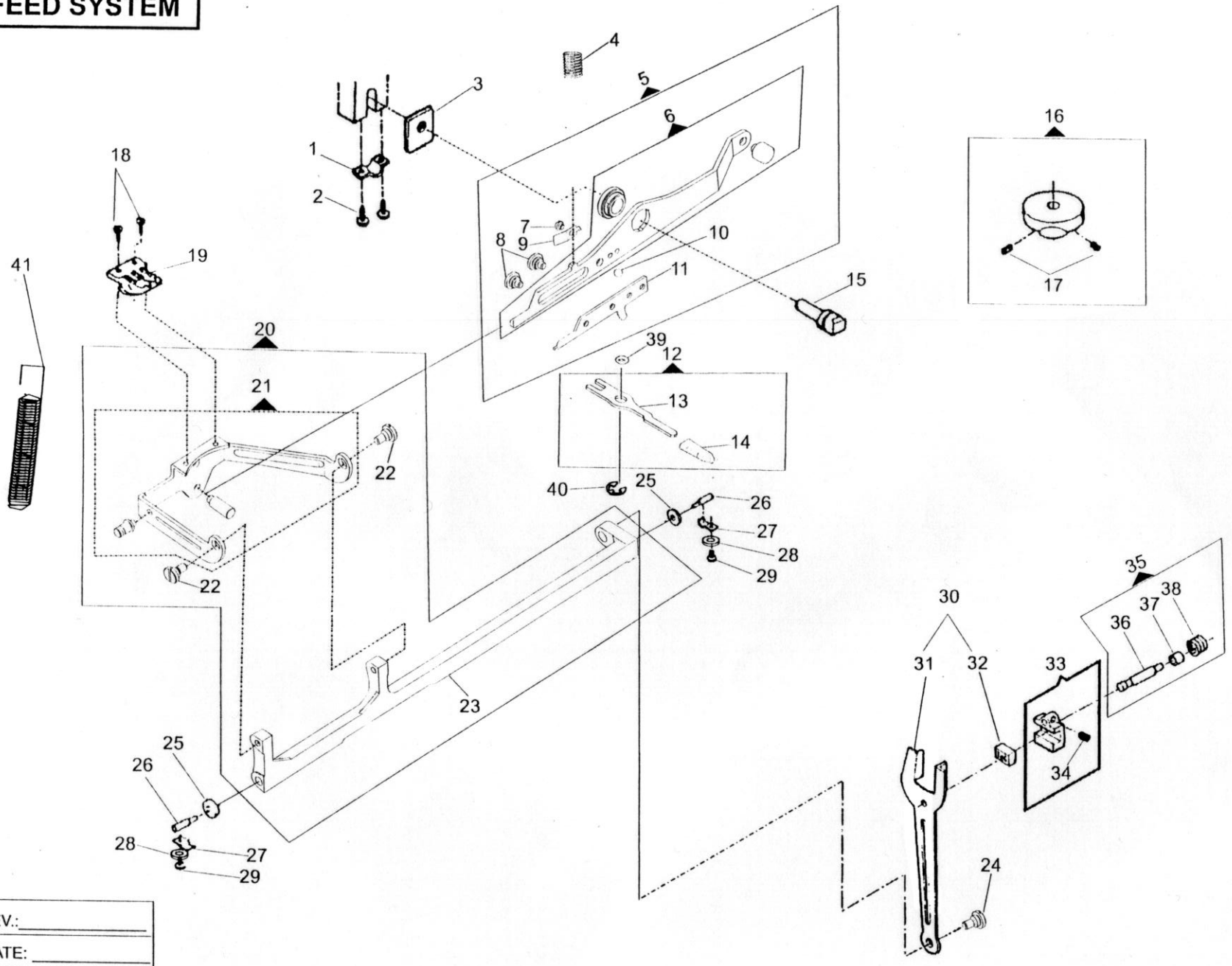


REV.: _____
DATE: _____

CAM CONTROLLED FEED

REF.	PART NBR.	DESCRIPTION
01	113423-451	CAM CONTROLLED FEED BALANCE ADJ. PLATE HING SCREW
02	543531-000	CAM CONTROLLED FEED BALANCE ADJ. SCREW WASHER
03	353492-000	CAM CONTROLLED FEED BALANCE ADJ. SCREW SPRING WASHER
04	141913-451	CAM CONTROLLED FEED BALANCE ADJ. SCREW
05	531754-000	CAM CONTROLLED FEED BALANCE ADJUSTING PLATE
06	353331-000	CAM CONTROLLED DRIVING ARM ECCENTRIC
07	113424-451	CAM CONTROLLED FEED BALANCE ADJUSTING LEVER HINGE SCREW
08	179898-001	CAM CONTROLLED FEED BALANCE ADJUSTING LEVER WASHER
09	353334-000	CAM CONTROLLED FEED BALANCE ADJUSTING LEVER MOUNTING BUSHING
10	358026-000	CAM CONTROLLED FEED BALANCE ADJUSTING LEVER ASSEMBLY
11	353330-001	CAM CONTROLLED FEED DRIVING ARM
12	358027-000	CAM CONTROLLED FEED MOUNTING BRACKET ASSEMBLY
13	357818-900	FEED REGULATOR ARM SPRING ENG. LEVER
14	353473-000	CAM CONTROLLED FEED ENGAGING CRANK LINK
15	445486-000	CAM CONTROLLED FEED FOL. & LINK RETAINING RING
16	358024-000	FEED SELECTOR LEVER COMPLETE
17	445721-000	CAM CONTROLLED FEED ENGAGING CRANK RETAINING RING
18	358085-900	FEED SELECTOR LEVER SCREW
19	357093-451	FEED SELECTOR LEVER SCREW NUT
20	353329-000	CAM CONTROLLED FEED ENGAGING CRANK
21	618638-005	CONNECTING ARM SCREW NUT
22	357909-900	CONNECTING ARM POSITIONING SPRING
23	358025-000	CAM CONTROLLED FEED & DIS. CONNECTING ARM ASSEMBLY
24	357886-900	CONNECTING ARM SCREW
25	357994-900	CAM CONTROLLED FEED LEVER KNOB

FEED SYSTEM



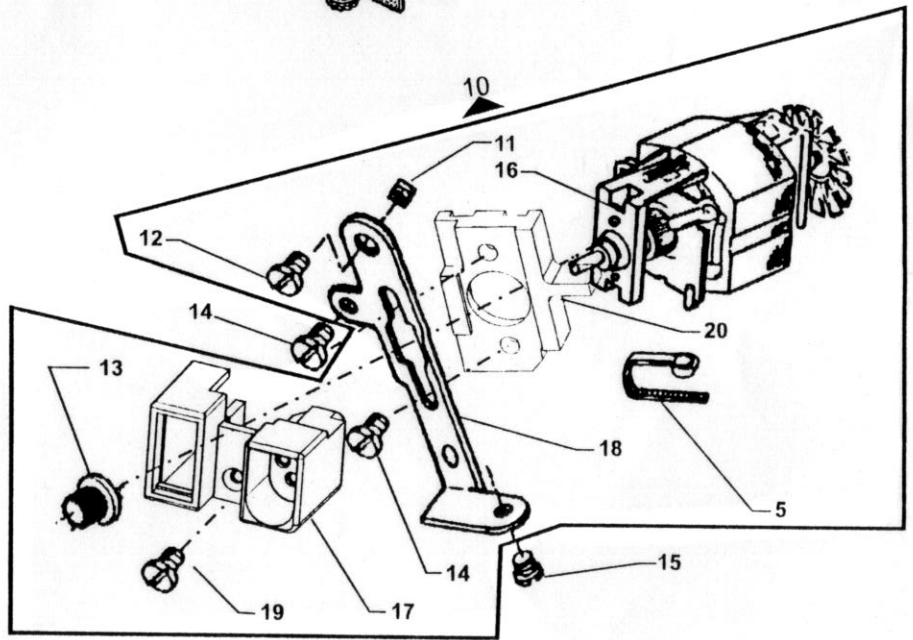
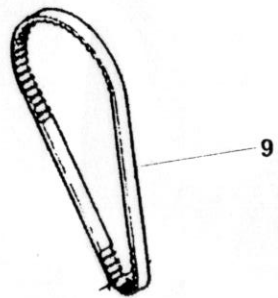
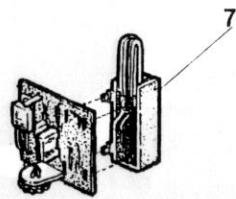
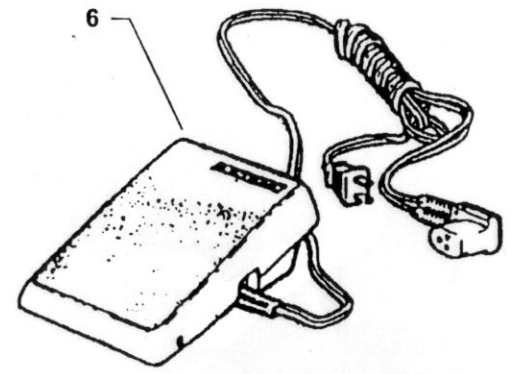
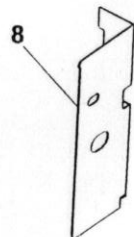
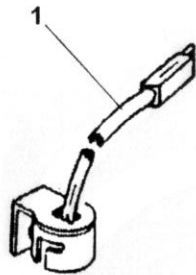
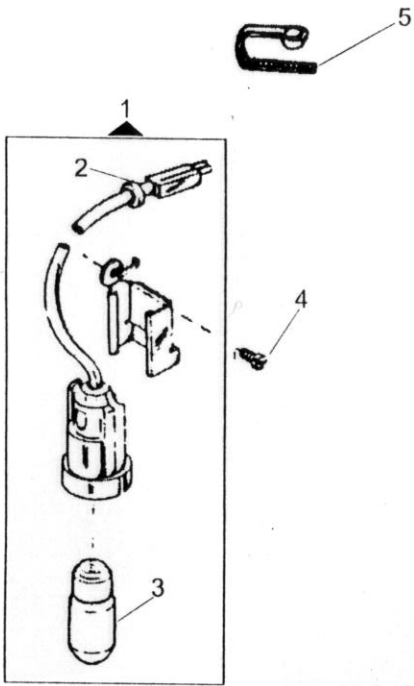
REV.: _____
DATE: _____

FEED SYSTEM

REF.	PART NBR.	DESCRIÇÃO
01	446485-000	FEED LIFTING LEVER HINGE STUD (ECCENTRIC) CLAMP
02	113455-001	FEED LIFTING LEVER HINGE STUD (ECCENTRIC) CLAMP SCREW
03	179955-000	FEED LIFTING LEVER HINGE STUD (ECCENTRIC)SPACER
04	446249-000	FEED LIFTING LEVER SPRING
05	358003-000	FEED LIFTING LEVER COMPLETE
06	358002-000	FEED LIFTING LEVER ASSEMBLY
07	357863-900	STOP SPRING FASTENING SCREW
08	357862-900	SLIDE LEVER GUIDE SCREW
09	357807-900	DROP-IN-FEED SPHERE SPRING STOP
10	357919-900	STOP SPHERE
11	357806-900	DROP-IN-FEED SPHERE RELEASING LEVER
12	358068-001	DROP-IN-FEED SELECTOR LEVER ASSEMBLY
13	357809-900	DROP-IN-FEED SELECTOR LEVER
14	357877-900	DROP-IN-FEED SELECTOR LEVER BUTTON
15	353448-000	FEED LIFTING LEVER ECCENTRIC PIN
16	446228-000	FEED LIFTING CAM
17	544118-000	FEED LIFTING CAM SCREW
18	355235-451	FEED DOG SCREW
19	179891-000	FEED DOG
20	358069-000	FEED ROCK SHAFT COMPLETE
21	358001-000	FEED BAR COMPLETE
22	354939-451	FEED BAR HINGE SCREW
23	357636-901	FEED ROCK SHAFT (MACHINED)
24	531623-451	FEED FORKED CONNECTION HINGE SCREW (ECCENTRIC)
25	353397-000	FEED ROCK SHAFT CENTER (LEFT) NOISE DAMPENING WASHER
26	446487-001	FEED ROCK SHAFT CENTER
27	446484-000	FEED ROCK SHAFT CENTER CLAMP (LEFT & RIGHT)
28	353357-451	FEED ROCK SHAFT CENTER SUP. BRACKET SCREW WASHER

29	113455-001	FEED LIFTING LEVER HINGE STUD ECCENTRIC) CLAMP
30	357641-000	FEED FORKED CONNECTION WITH SLIDE BLOCK
31	357635-901	FEED FORKED CONNECTION
32	44437-000	FEED FORKED CONNECTION SLIDE BLOCK
33	446244-000	FEED REGULATOR ASSEMBLY
34	141925-833	FEED REGULATOR SET SCREW
35	353600-000	FEED REGULATOR HINGE STUD ASSEMBLY
36	446483-000	FEED REGULATOR HINGE STUD
37	445768-000	FEED REGULATOR RETURN SPRING BUSHING (PLASTIC)
38	179890-000	FEED REGULATOR RETURN SPRING
39	49204-000	BIGHT AMPLITUDE CONTROL LEVER L.H. SCREW FRICTION WASHER
40	445486-000	DROP-IN-FEED SPHERE RELEASING LEVER RETAINING RING
41	357983-900	FEED BAR ACTUATING SPRING

ELECTRICAL EQUIPMENT



REV.: _____
DATE: _____

ELECTRIC EQUIPMENT

REF.	PART NBR.	DESCRIPTION
01		REFER TO CHART ON FOLLOWING PAGE
02	179908-000	LIGHT LEAD GROMMET
03	988076-001	LAMP (120V)
03	988076-003	LAMP(220V/250V)
04	354292-451	LIGHT SOCKET MOUNTING SCREW
05	605600-004	TYE RAP
06		REFER TO CHART ON FOLLOWING PAGE
07	362139-001	SWITCH SPEED(120V)
07	362139-002	SWITCH SPEED(220V)
08	357821-451	LIGHT SHIELD WITH GRAPHICS
09	353518-001	MOTOR BELT(V)
10		REFER TO CHART ON FOLLOWING PAGE
11	313470-452	MOTOR MOUNTING PLATE SCREW NUT
12	113372-451	MOTOR MOUNTING PLATE SCREW(UPPER)
13	988761-001	MOTOR PULLEY
14	362264-901	MOTOR MOUNTING PLATE CLAMP SCREW
15	113370-451	MOTOR MOUNTING PLATE SCREW (LOWER)
16	988752-010	MOTOR MODULE (120V)
16	988752-013	MOTOR MODULE (220V)
17	362239-022	MOTOR PLASTIC COVERS WITH GRAPHICS
18	356803-901	MOTOR MOUNTING PLATE
19	362263-901	MOTOR MOUNTING PLATE SPACER SCREW
20	362237-001	MOTOR MOUNTING PLATE SPACER (PLASTIC)

ELECTRICAL EQUIPMENT

REF.	DESCRIPTION	CANADÁ & U.S. (120 V)	EUROPA (220 V)	UK (240 V)	ÁSIA & ÁFRICA & AMÉRICA DO SUL (120 V)	ÁSIA & ÁFRICA & AMÉRICA DO SUL (220 V)	ÁFRICA & AMÉRICA DO SUL (120 V)	RUSSIA (220 V)
01	LIGHT COMPLETE	362160-002	605488-026	605488-026	362001-008	362001-008	362001-008	605488-026
06	CONTROLLER	362095-001	362095-002	362095-015	362095-005	362095-006	362095-005	362095-022
10	MOTOR COMPLETE	362180-012	362180-016	362180-016	362180-022	362180-023	362180-022	362180-015